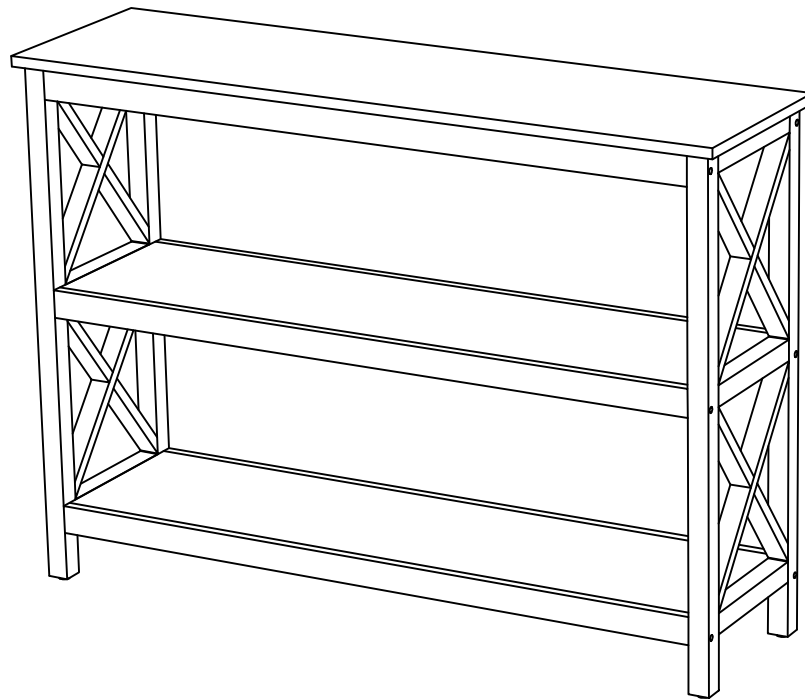


ASSEMBLY INSTRUCTIONS

Console Table

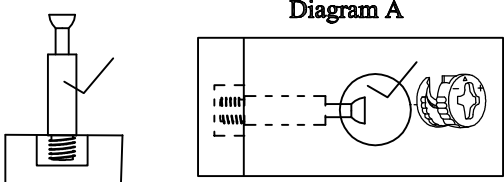


NOTE TO CUSTOMERS:

- For ease and speed of assemble we recommend that before you commence each step of the assembly that you identify all the parts required to complete that step.
- We recommend that where possible you allow sufficient space to assemble the item as close as possible to the place where it will be once assembled.
- For the protection of your furniture we recommend that the product is placed on protected surfaces during assembly to prevent any damage.
- During assembly do not over tighten, as this may damage the product.
- Please ensure you retain all the product packaging until the item completely assembled.
- Please periodically check all fittings and re-tighten as necessary.
- Never allow any liquids to remain on your furniture as absorption can cause the wood to warp or the finish to de-laminate.
- It is recommended that this item should be assembled by two adults.

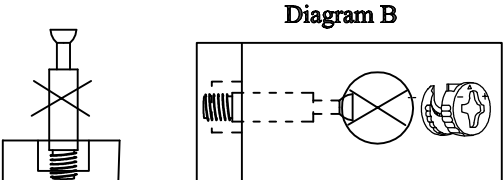
To insert a cam lock: (Please read below instructions before assembling)

Diagram A



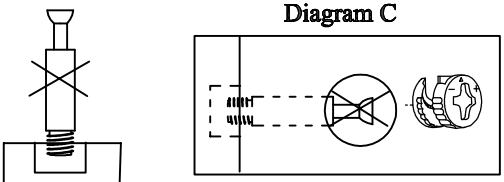
1. Insert cam screw into hole as shown in diagram A .

Diagram B

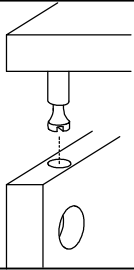


Make sure not to insert the cam screw:
Too deep as shown in figure B as this will cause the cam screw to be misaligned and unable to interlock properly.

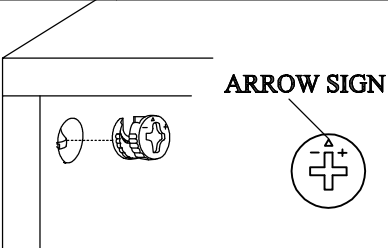
Diagram C



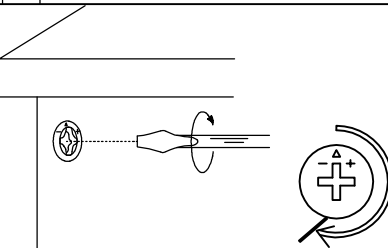
Also avoid inserting the cam screw too close to the surface of the hole as shown in figure C, as this will cause the cam lock to be too loose, and not interlock properly.



2. Connect the panels together.



3. When inserting the cam lock make sure the arrow of the cam lock faces the cam screw.



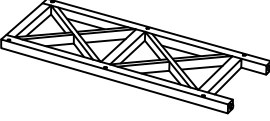
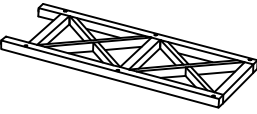

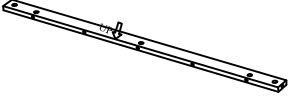
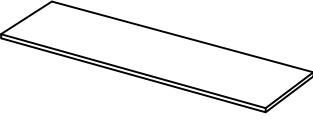
4. To tighten the cam lock turn the cam lock clockwise 90-180 degree or until the arrow is facing opposite the place cam lock was inserted.

NOTE: DO NOT USE AN AUTOMATIC SCREWDRIVER TO TIGHTEN CAM LOCKS.

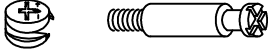


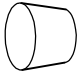

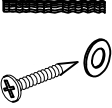

Note:

- Read these instructions carefully before assembling.
- Tools required : Phillips screwdriver, flat screwdriver.
- Find a clean, smooth area on which to work , such as a carpet, in order to avoid scratching the wood surfaces.
- Wait to dispose of the packing material until assembly is complete and all parts and hardware are accounted for.
- Two or more people might be required for assembly.

Part List

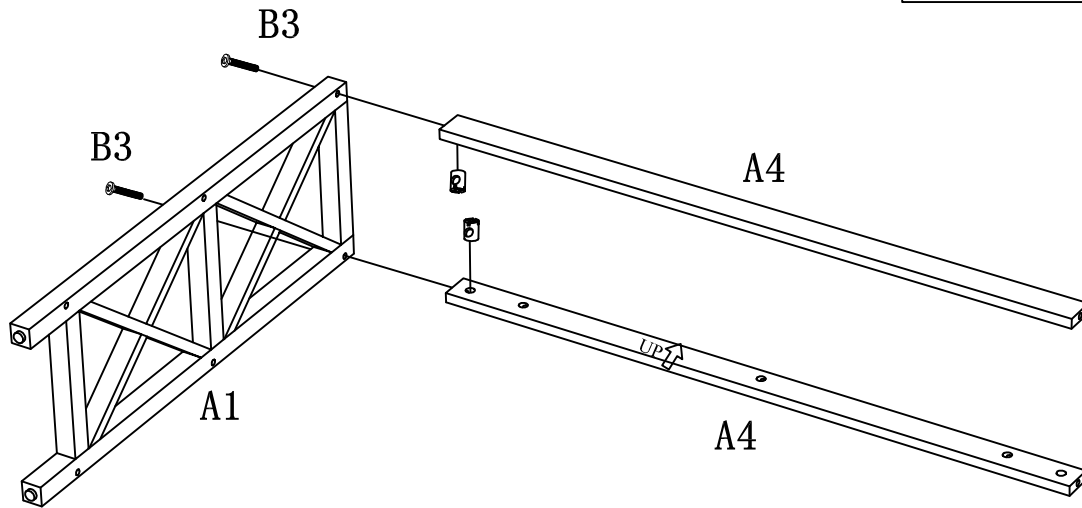
<p>A1. Quantity of 1</p>  <p>Left Frame</p>	<p>A2. Quantity of 1</p>  <p>Right Frame</p>	<p>A3. Quantity of 2</p>  <p>Shelf Panel</p>	<p>A4. Quantity of 2</p>  <p>Connect Bar</p>
<p>A5. Quantity of 1</p>  <p>Top Panel</p>			

Hardware List

<p>B1. Quantity of 6</p>  <p>Camlock & Cambolt</p>	<p>B2. Quantity of 4</p>  <p>Wood Dowel</p>	<p>B3. Quantity of 12</p>  <p>Bolt with nut</p>	<p>B4. Quantity of 12</p>  <p>End Cap</p>
<p>B5. Quantity of 1</p>  <p>Anchor with Screw</p>	<p>B6. Quantity of 1</p>  <p>Anti-tip kit</p>	 <p>Allen Wrench</p>	

Step 1

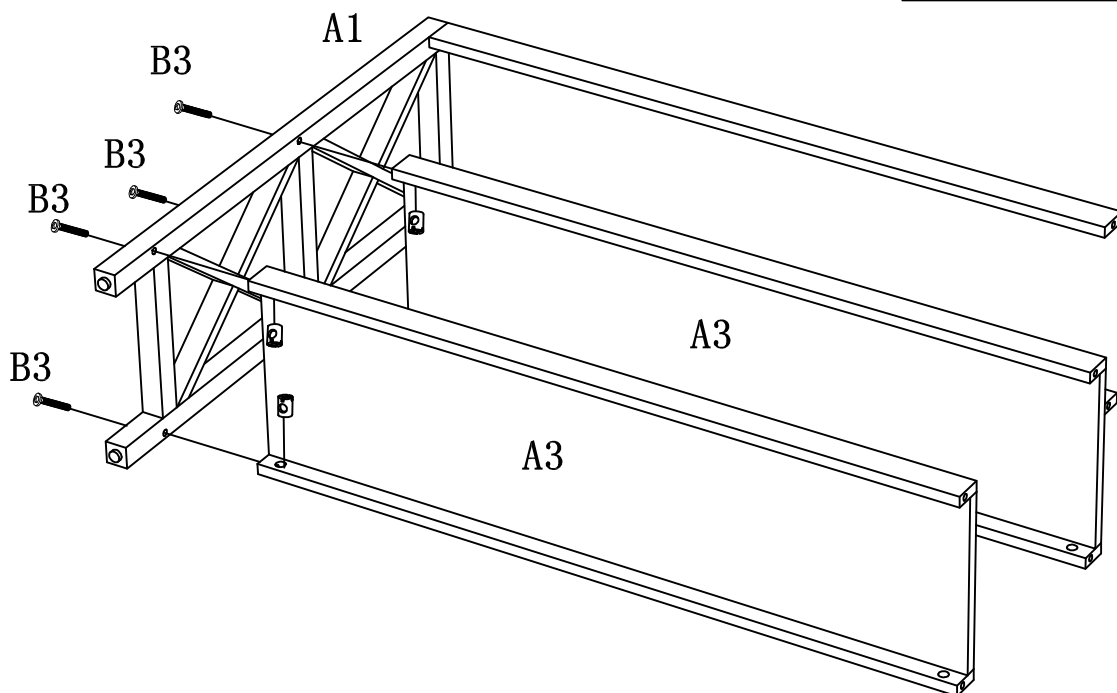
B3:  2SETS



Attach Left Frame A1 to Connect Bars A4 using Bolts B3 with Nuts.
Note: Please do not tighten Bolts B3 until Step 4.

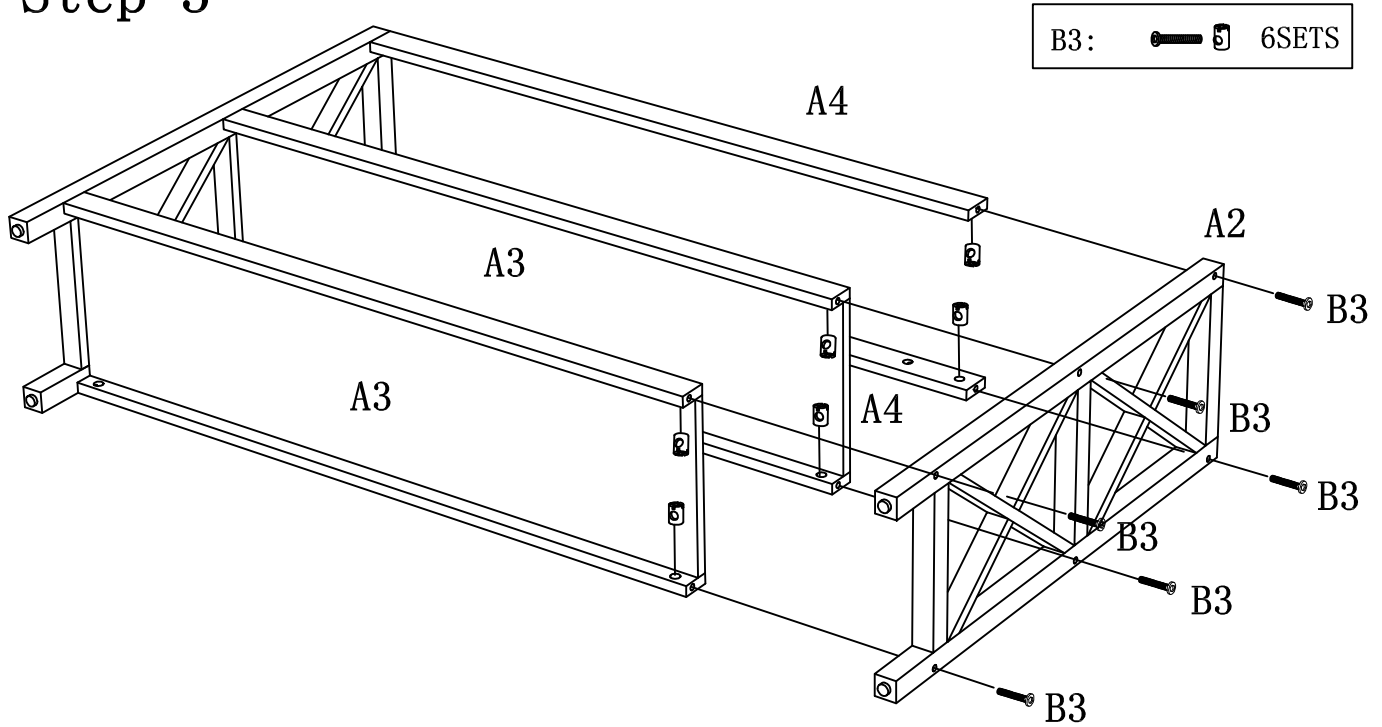
Step 2

B3:  4SETS



Attach Shelf Panels A3 to Left Frame A1 using Bolts B3 with Nuts.
Note: Please do not tighten Bolts B3 until Step 4.

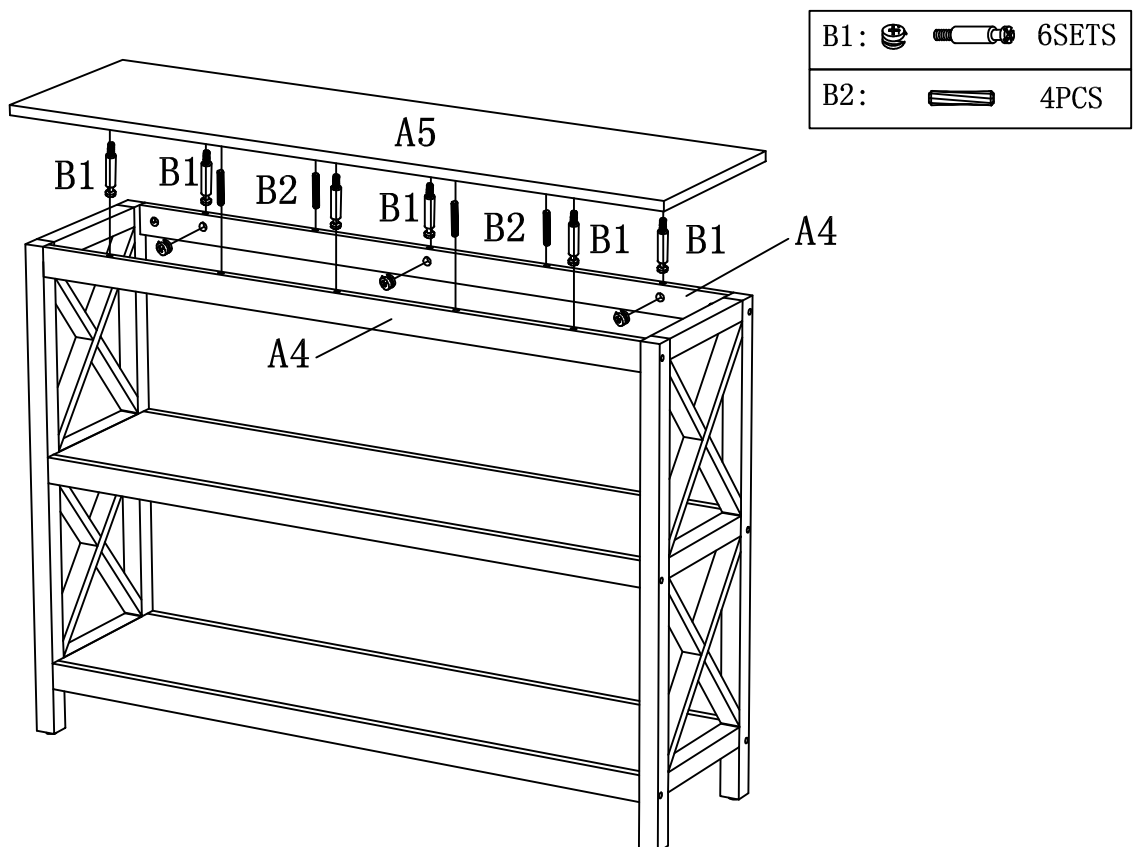
Step 3



Attach Right Frame A2 to Connect Bars A4 and Shelf Panels A3 using Bolts B3 with Nuts.

Note: Please do not tighten Bolts B3 until Step 4.

Step 4

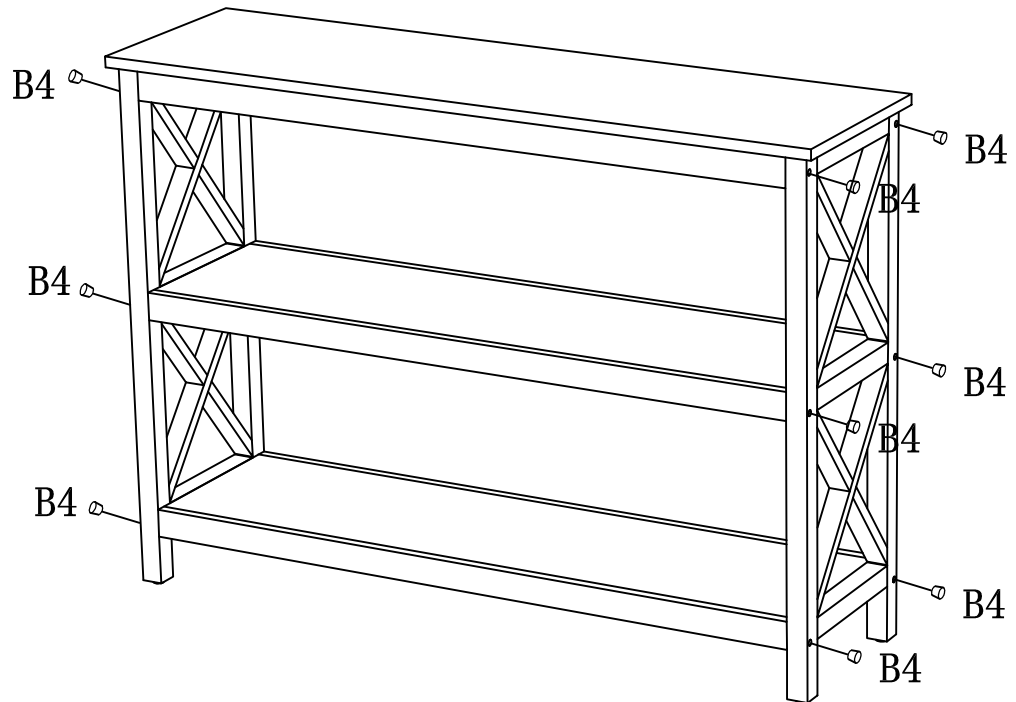


Attach Top Panel A5 to Connect Bars A4 using Cambolts&Camlocks B1 and Wood Dowels B2.

Note: Please tighten all bolts at this point.

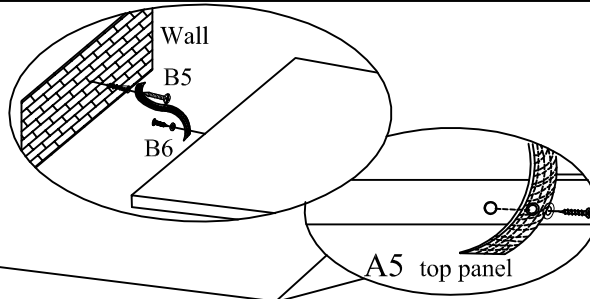
Step 5



B4:  12PCS

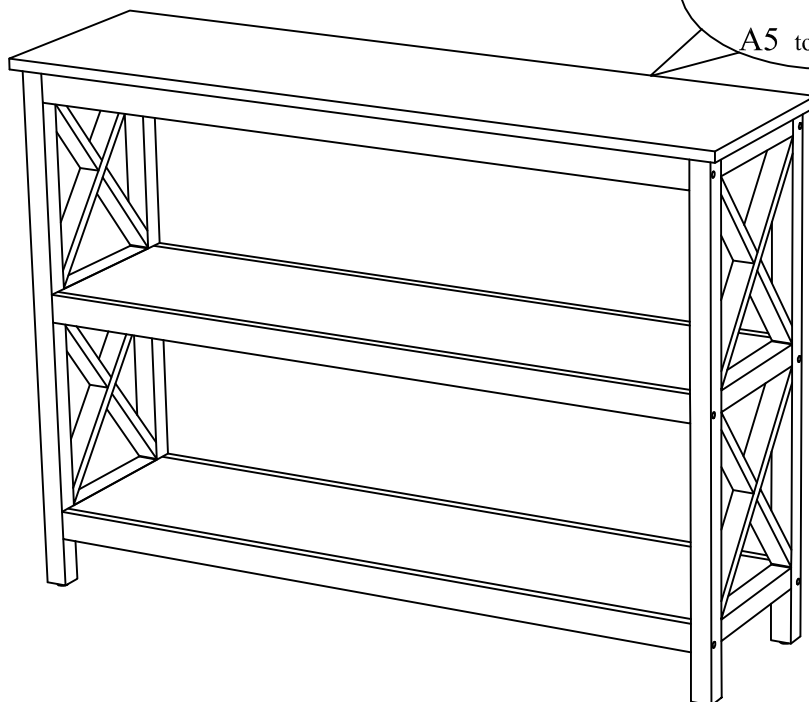


Tap End Caps B4 into Frames A1&A2 (L&R) to cover up Bolts B3 .

Step 6

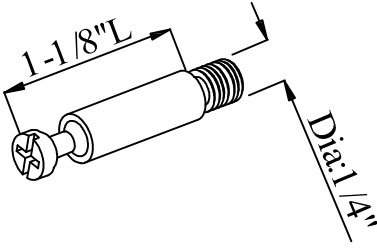
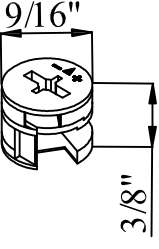
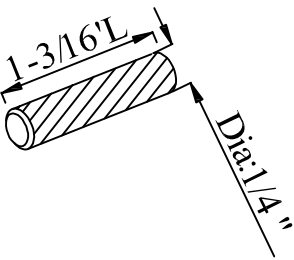
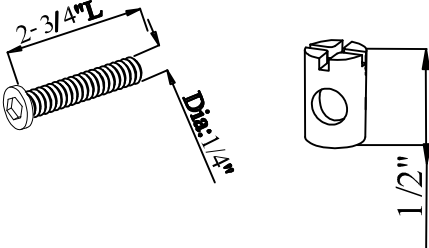
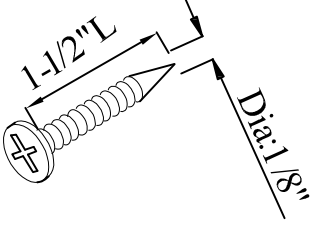
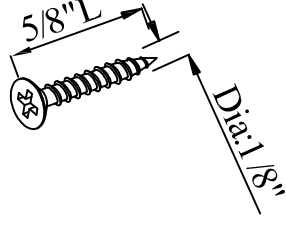


B5  1Set
B6  1Set



For your safety, please attach the unit to the wall by Anchor with screw B5 and Anti-tip kit B6.

APPENDIX: Dimension of Hardwares in this AI.

<p>B1.</p>  <p>Cambolt</p>	<p>B1.</p>  <p>Camlock</p>	<p>B2.</p>  <p>Wood Dowel</p>
<p>B3.</p>  <p>Bolt with Nut</p>	<p>B5.</p>  <p>Screw</p>	<p>B6.</p>  <p>Screw</p>



WARNING:

**Serious or fatal crushing injuries can occur from furniture tip-over.
To help prevent tip-over:**

- Place heaviest item in the lowest drawers.
- Unless specifically designed to accommodate, do not set TVs or other heavy objects on top of this product.
- Never allow children to climb or hang on drawers, doors or shelves.
- Never open more than one drawer at a time.(OR)
- Do not defeat or remove the drawer interlock system.

Use of tip-over restraints may only reduce, but not eliminate the risk of tip-over.