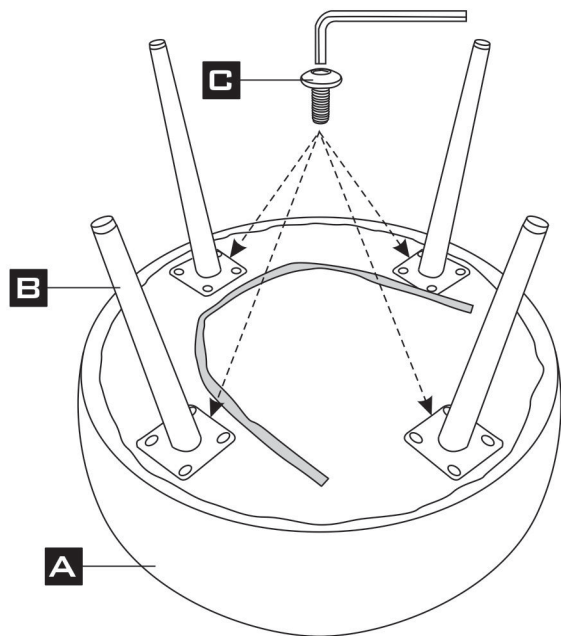
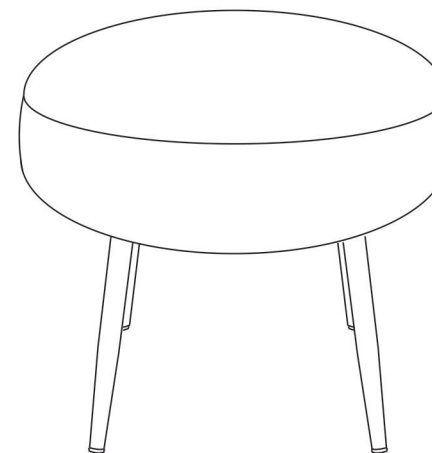


# ASSEMBLING INSTRUCTION



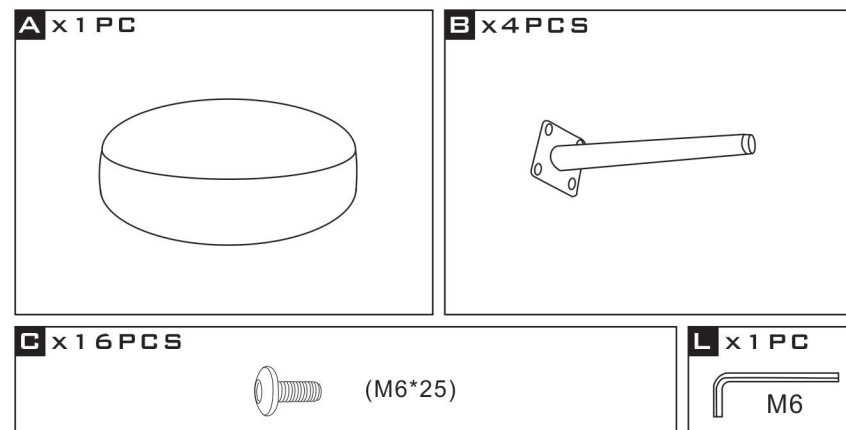
①

Put the screws in the holes, tight the screws, but not too tight, 90% is ok



②

Stand the chair upright & ensure it is level before tightening all screws. Then tight all the screws to 100%



Please find hardware pack inside the dust cover underneath seat cushion