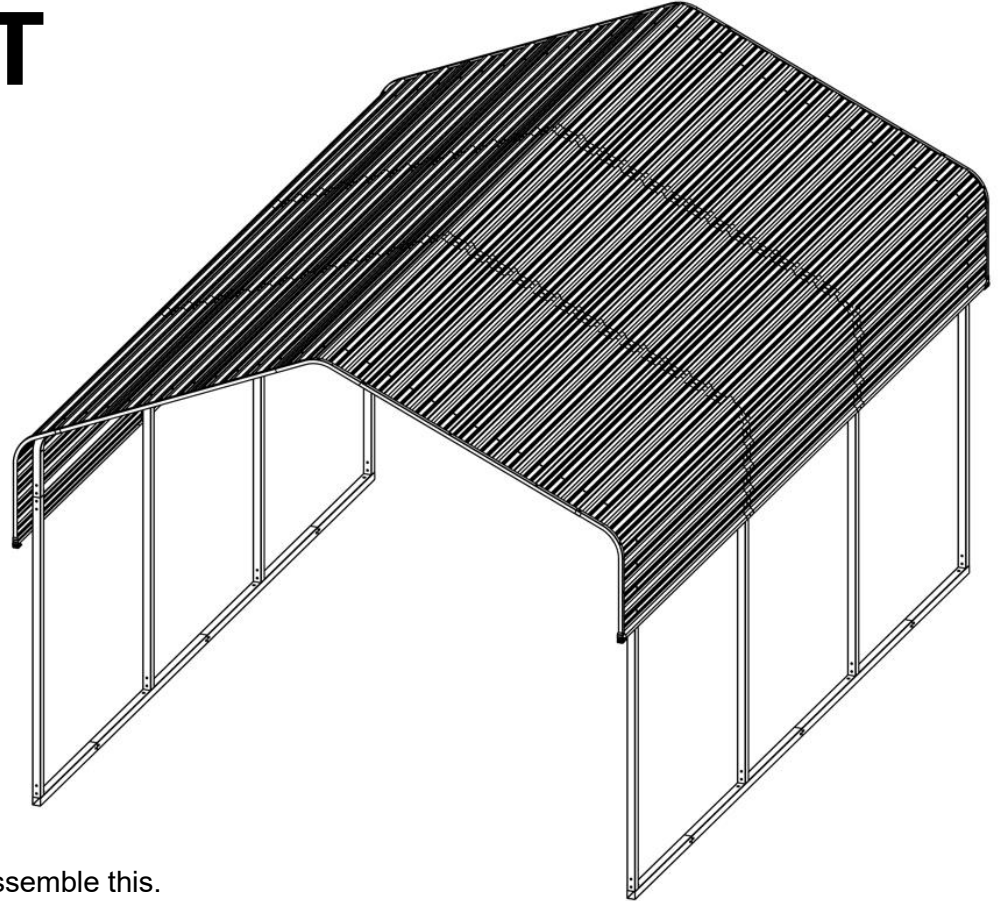


METAL CARPORT

10 x 15 FT Instruction Manual



IMPORTANT

You must read these instructions carefully before you start to assemble this.

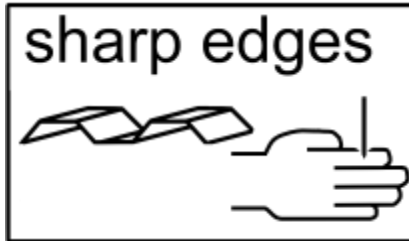
Please ensure that you find all parts in the carton box in the correct type and quantity as mentioned in the list illustrated in every page accordingly.

Please carry out the steps in the order set out in these instructions.

Keep these instructions in a safe place for future reference.

SAFETY & MAINTENANCE

Safety precautions MUST be followed at all times throughout the construction of your building!



Care must be taken when handling various pieces of your building since many contain sharp edges. Please wear work gloves, eye protection and long sleeves when assembling or performing any maintenance on your building.



Practice caution with the tools being used in the assembly of this building. Be familiar with the operation of all power tools.



Do NOT attempt to assemble your building on a windy day. The large panels can catch the wind like a "sail", causing them to be whipped around construction difficult. Any building left partially assembled may be seriously damaged by even light winds.



NEVER concentrate your weight on the roof of the building. When using a step ladder make sure that it is fully open and on even ground before climbing on it.



Keep children and pets away from the worksite during construction and until the building is completely assembled. This will help avoid distractions and any accidents which may occur.

SAFETY & MAINTENANCE

Exterior Care:

For a long lasting finish, clean and wax the exterior surface. We recommend washing with a mild soap solution. DO NOT use power washing to clean your shed. Using a spray automotive type wax periodically on the exterior is highly recommended if you are in a high humidity or coastal climate region.

Combustibles and corrosives must be stored in airtight containers designed for chemical and/or combustible storage. Corrosive chemicals such as fertilizers, pesticides and herbicides should be cleaned off the interior and exterior surfaces immediately. Rust caused by chemical damage is not covered by the warranty.

Rust protection precautions may help to stop rust from developing, or stop it quickly as soon as it appears.

- Avoid nicking or scraping the coating surface, inside and out.
- Keep roof and base perimeter free of debris and leaves which may accumulate and retain moisture. These can do double damage since they give off acid as they decay.
- Touch up scrapes or nicks and any area of visible rust as soon as possible. Make sure the surface is free of moisture, oils, dirt or grime and then apply an even film of high quality touch-up paint.
- Various paint manufacturers provide products for rust treatment and coverage. If surface rust does appear on your shed we recommend treating those areas as soon as possible, following the paint supplier of your choice instructions.
- Our customer service department can provide the paint tinting formula for matching the color of your shed.

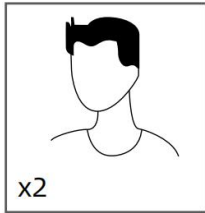
Roof: Keep the roof clear of leaves and snow. Heavy amounts of snow on the roof can damage the building making it unsafe to enter. Fasteners: Regularly check fasteners and retighten as necessary.

General: Wash off inked part numbers on coated panels with soap and water.

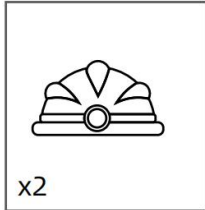
Please note, Manufacturer cannot be held responsible for any consequences due to buildings that are not installed per these instructions, or for damage due to weather conditions or acts of God.

TOOL&EQUIPMENT

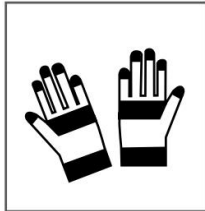
Protective Equipment



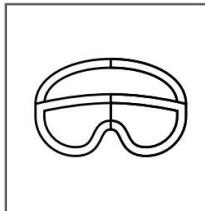
2 people needed



Safety Helmet



Gloves

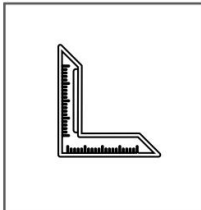


Goggles

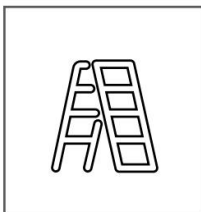
Measuring Tools & Installation Equipment



Tape Measure



Angle Rule



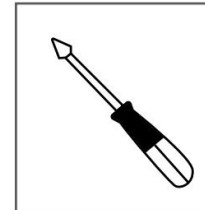
Triangular Ladder



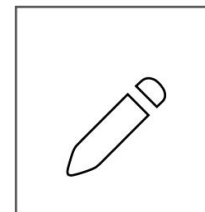
Mallet



SpannerC10



Cross Screwdriver

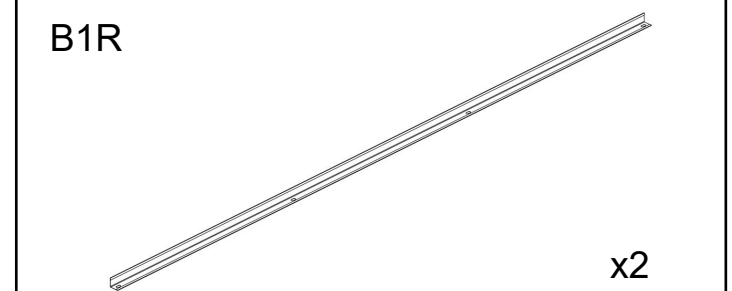
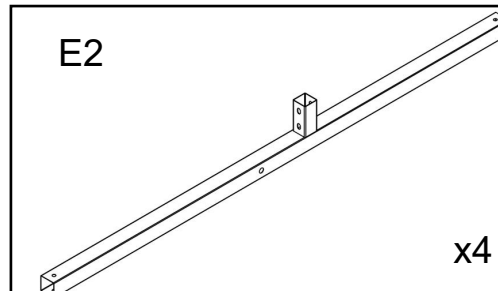
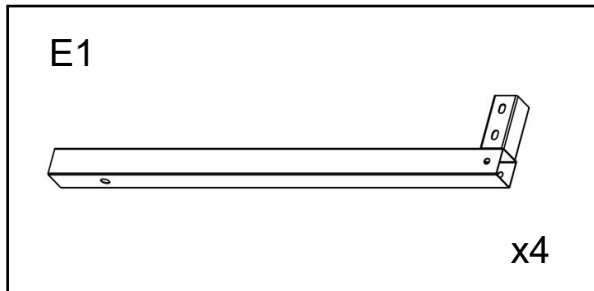
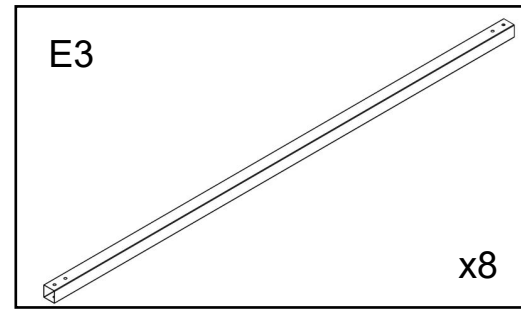
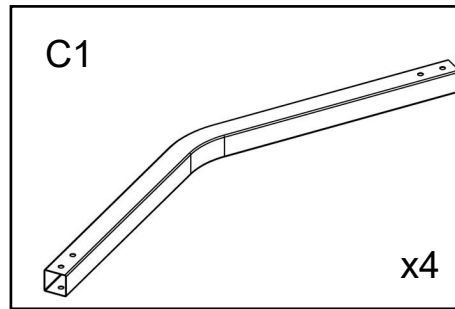
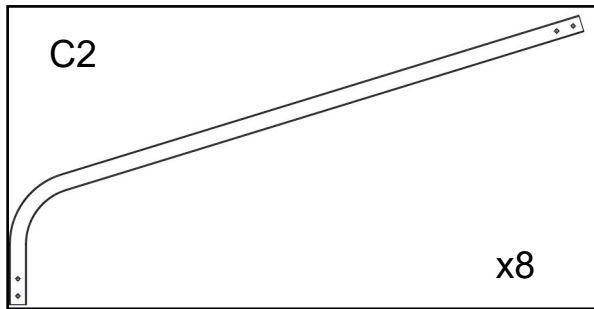
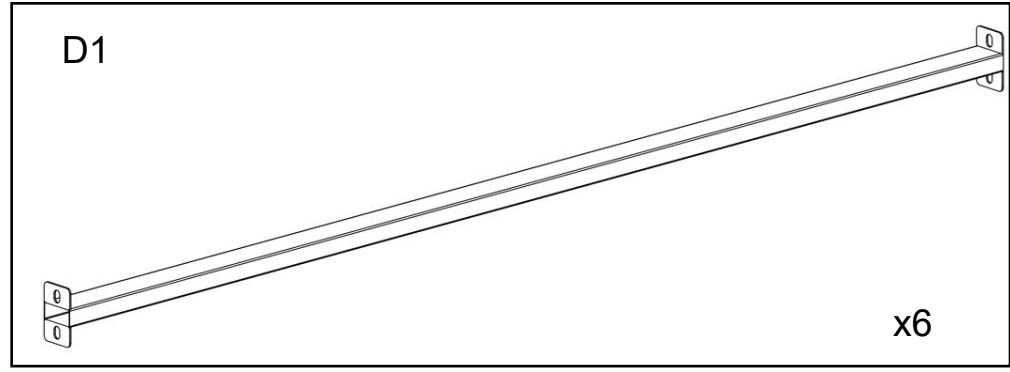
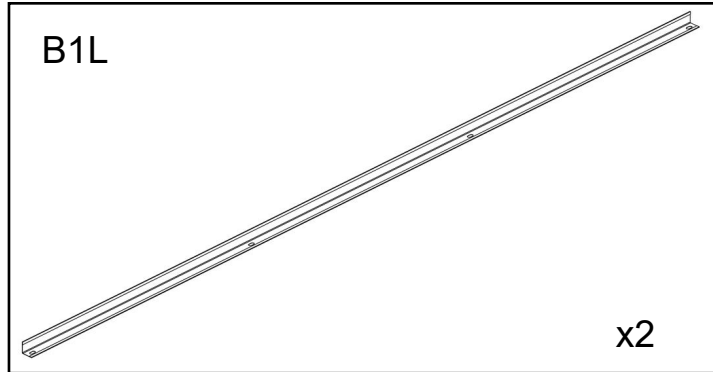
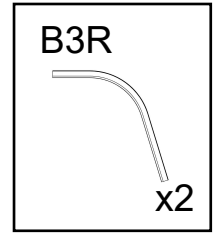
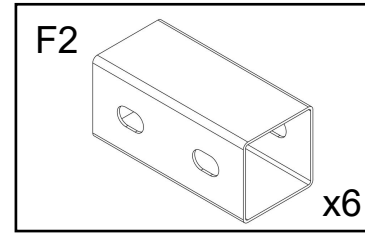
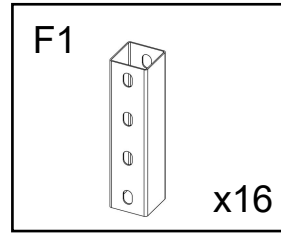
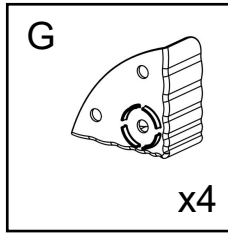
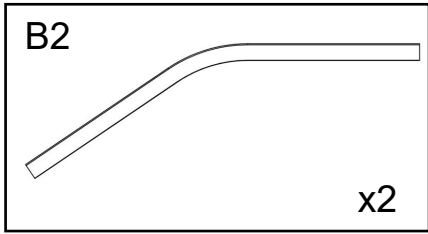
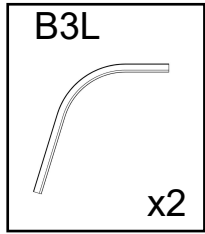


Marking Pen

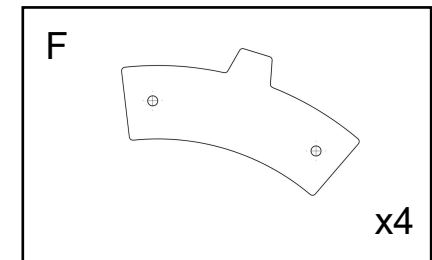
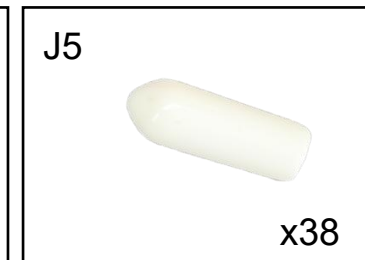
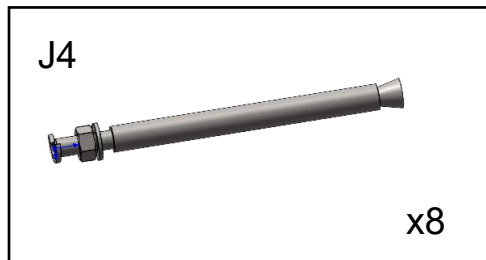
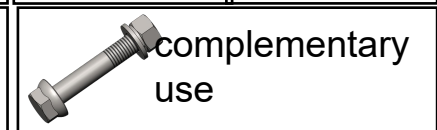
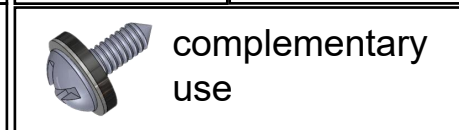
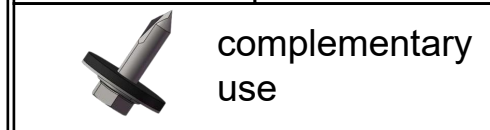
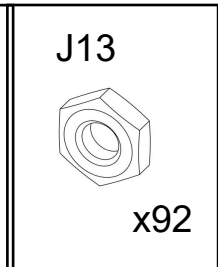
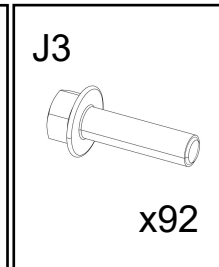
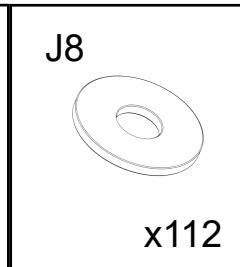
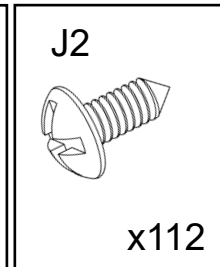
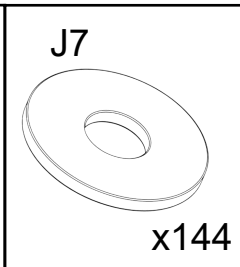
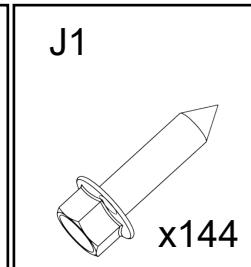
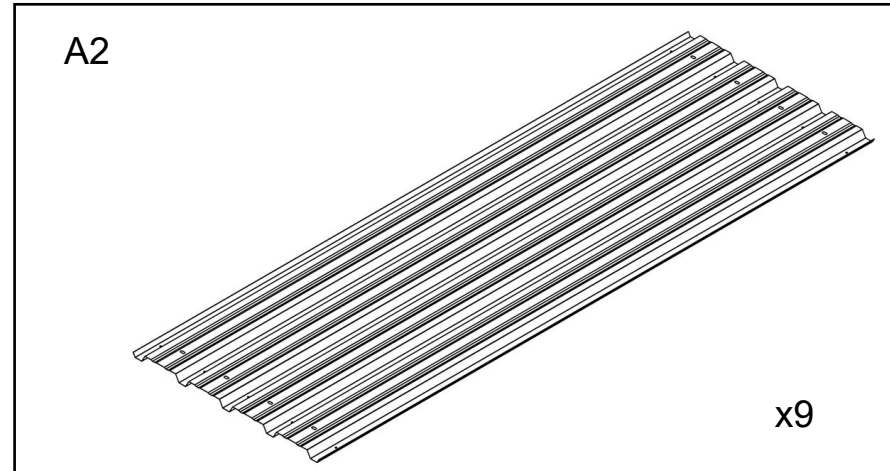
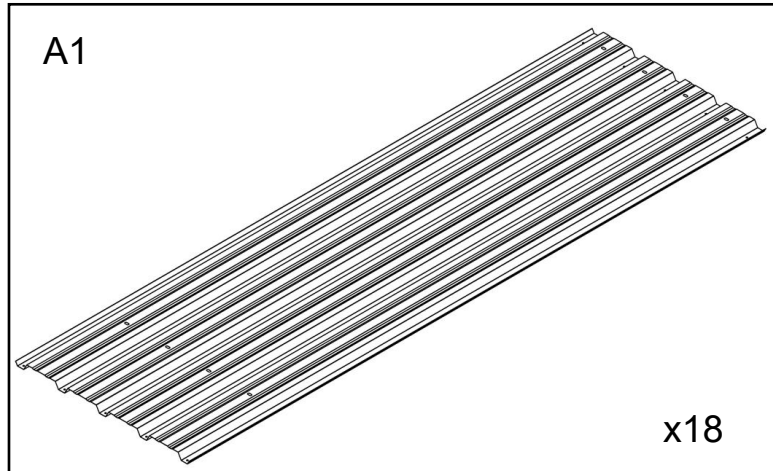


Electric screw driver

Parts List



Parts List



Parts List



x2



x1

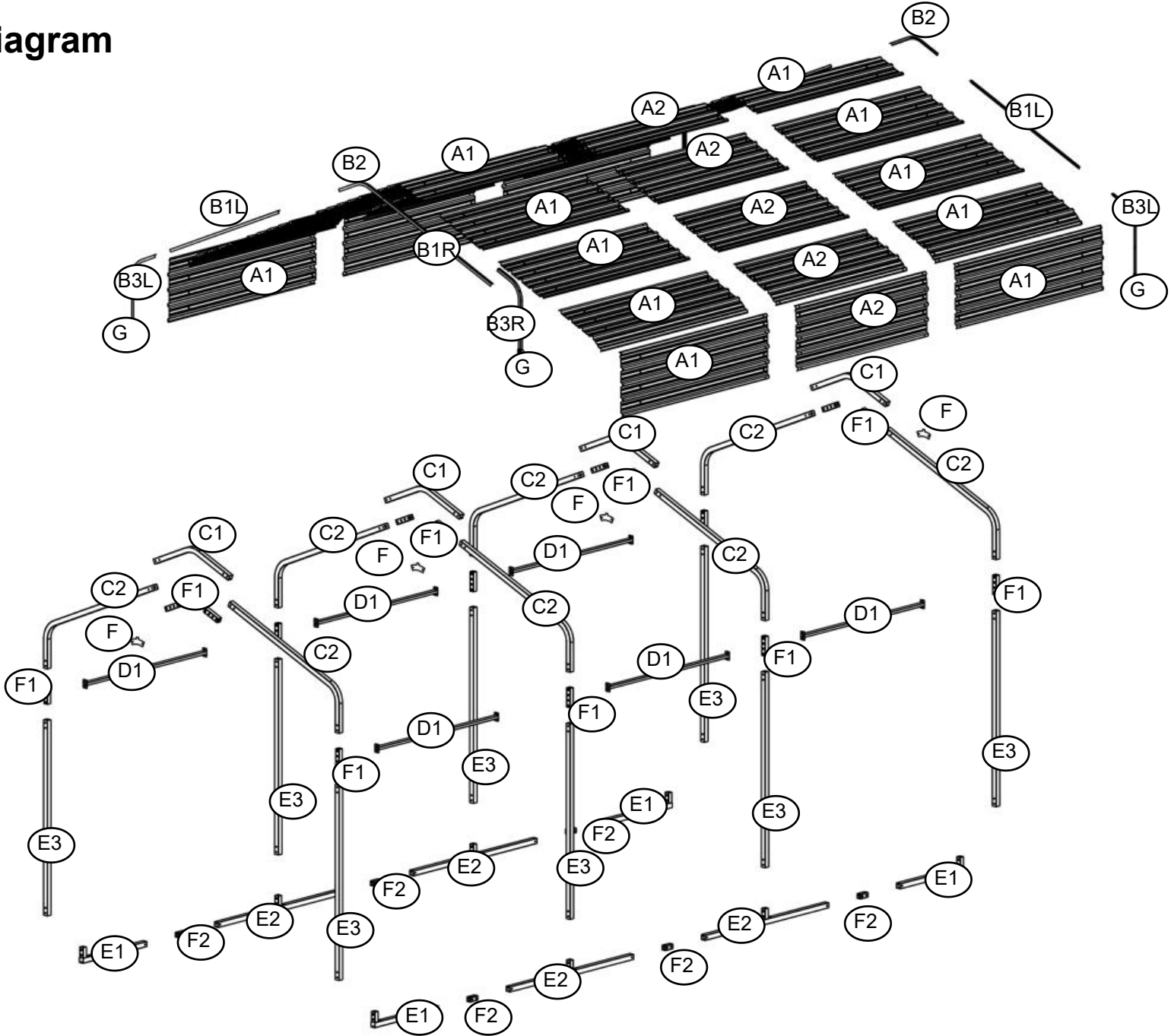


x2

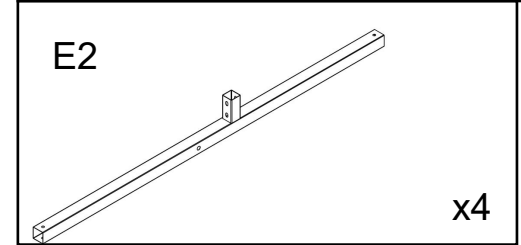
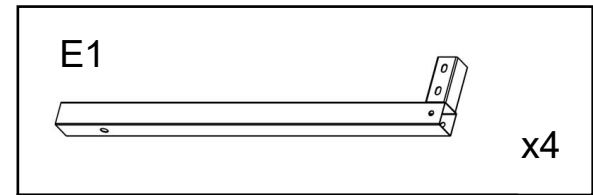
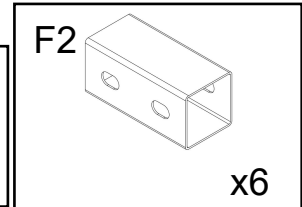
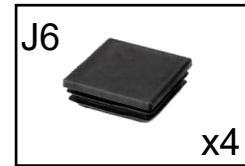
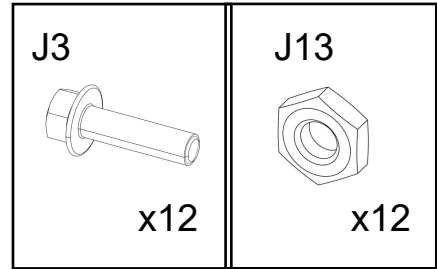
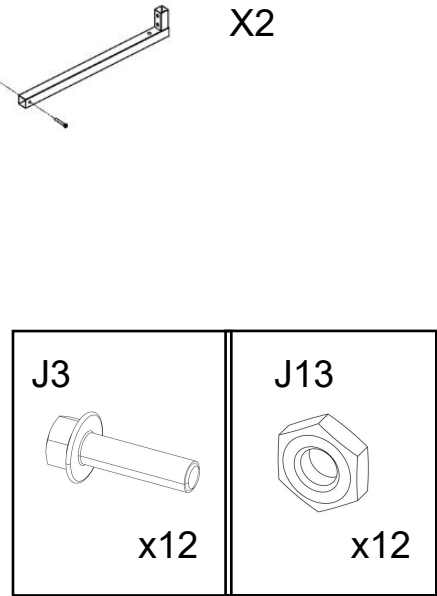
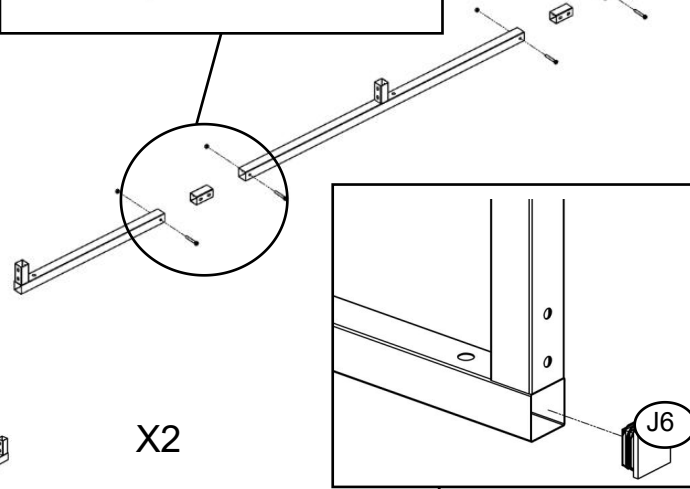
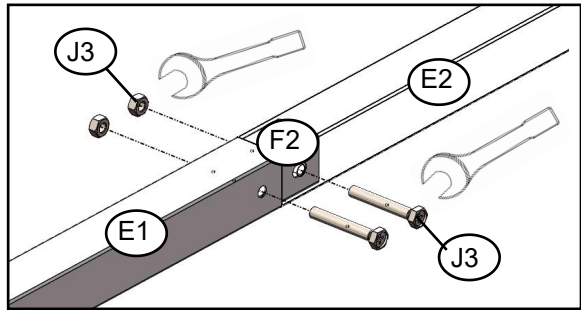
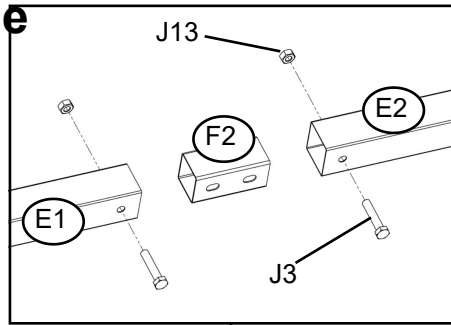
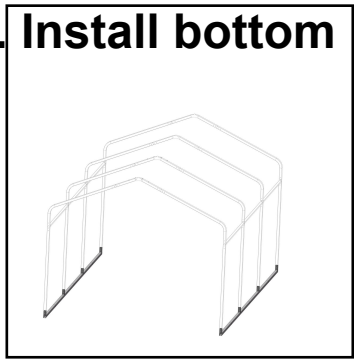


x1

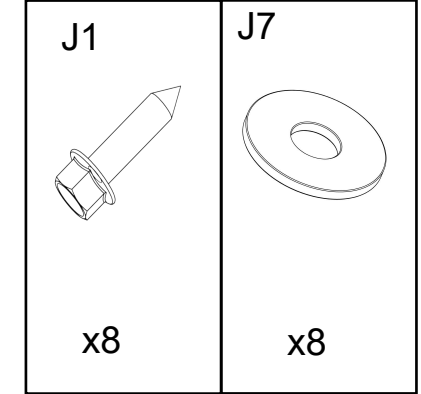
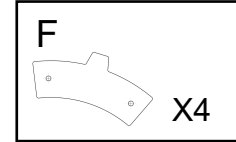
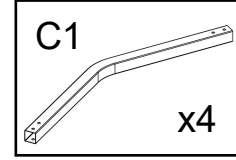
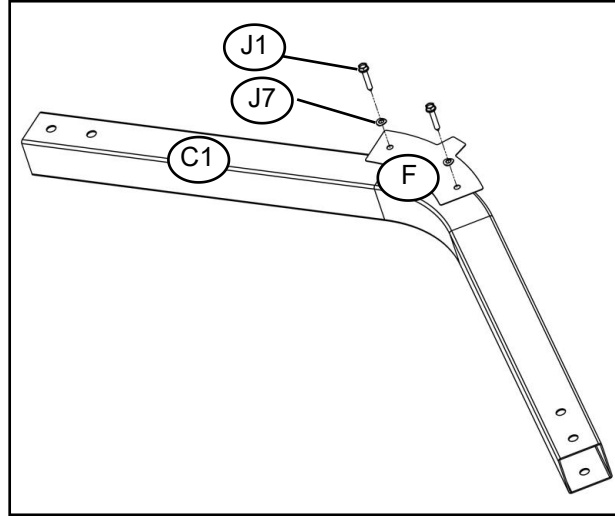
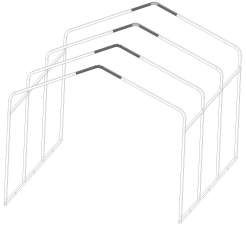
Explosion diagram



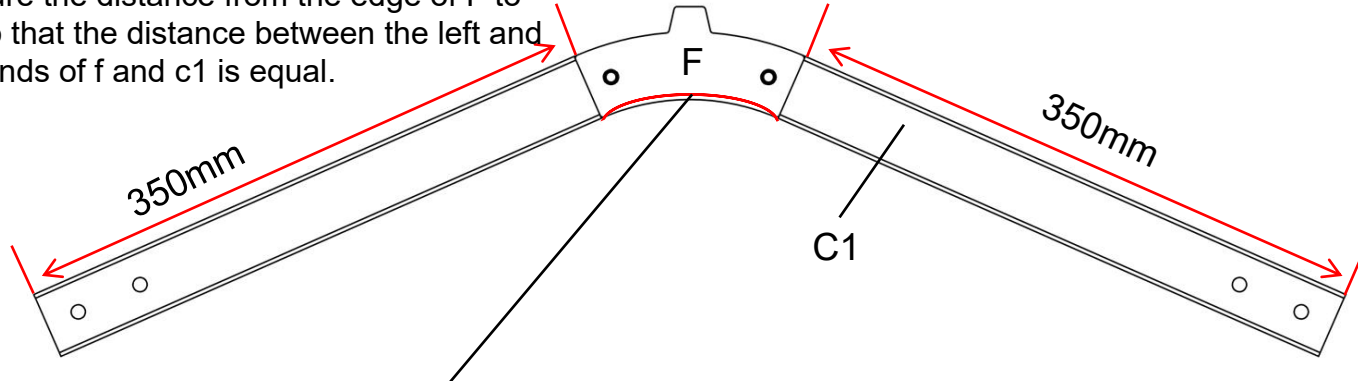
1. Install bottom base frame



2. Install top bracket

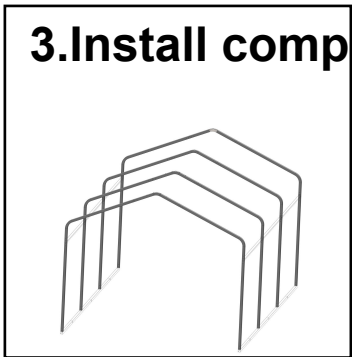


Measure the distance from the edge of F to C1, so that the distance between the left and right ends of f and c1 is equal.

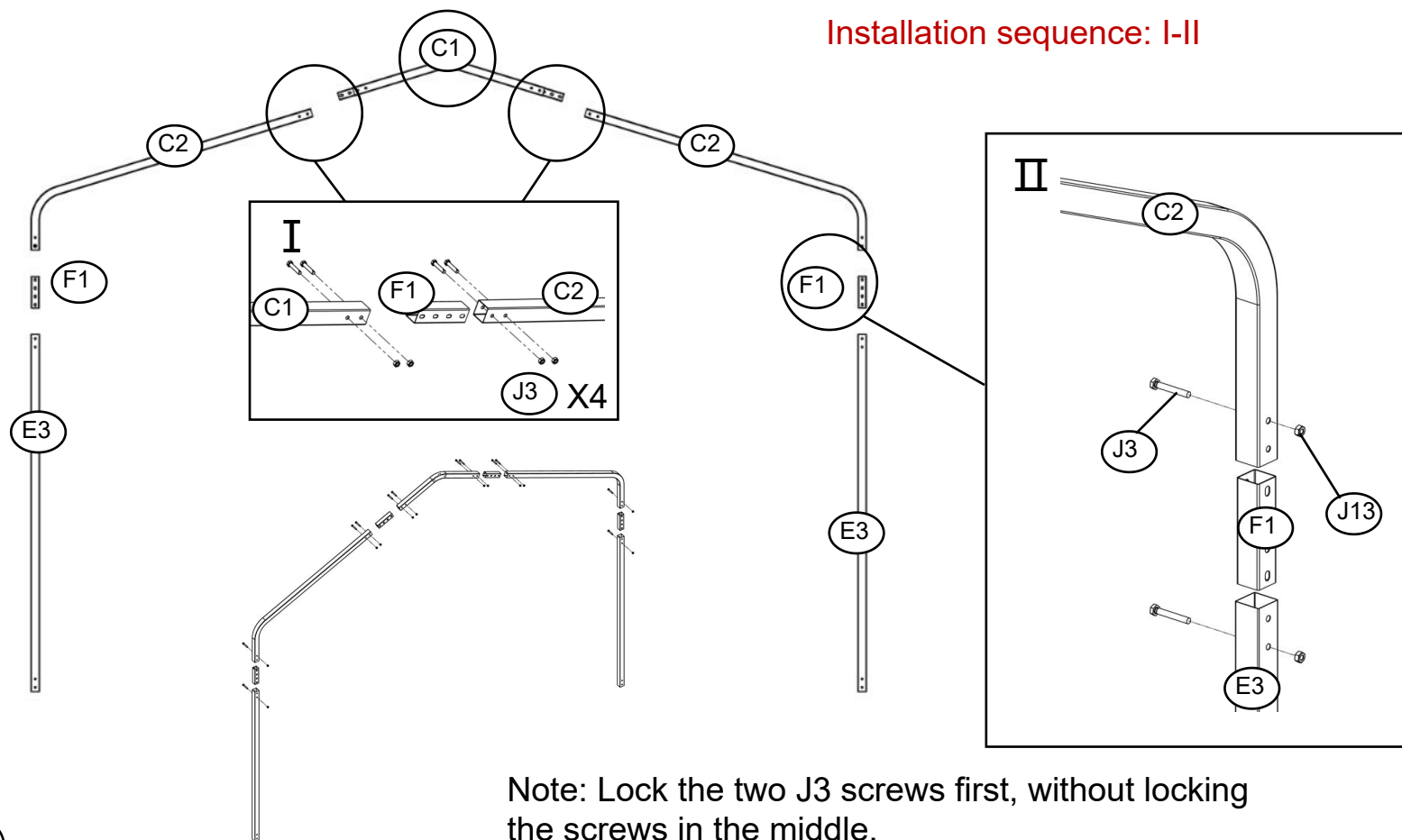


Note: Lock J1 only after the F arc is completely aligned with the C1 arc.

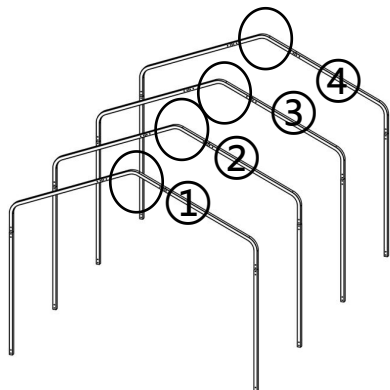
3. Install complete bracket

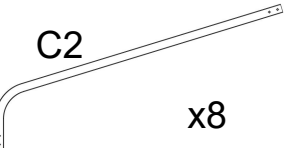
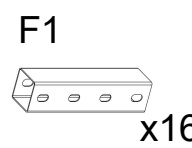
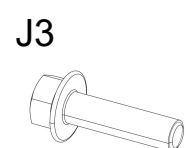
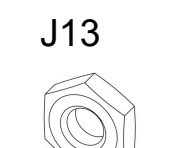
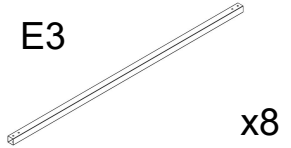


Installation sequence: I-II

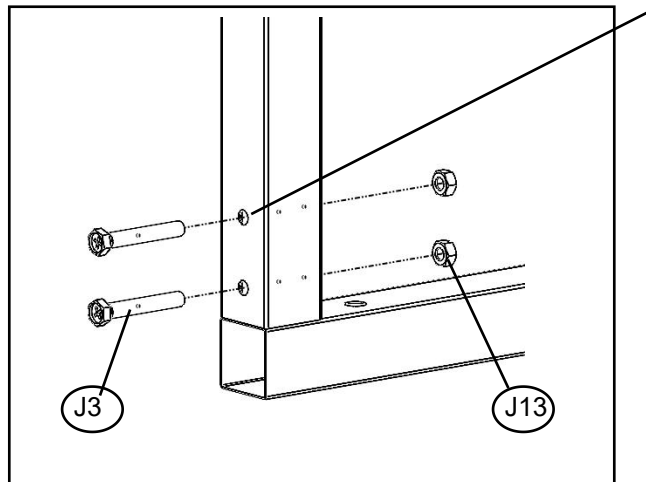
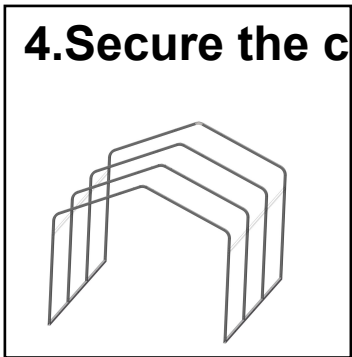


Note: Lock the two J3 screws first, without locking the screws in the middle.

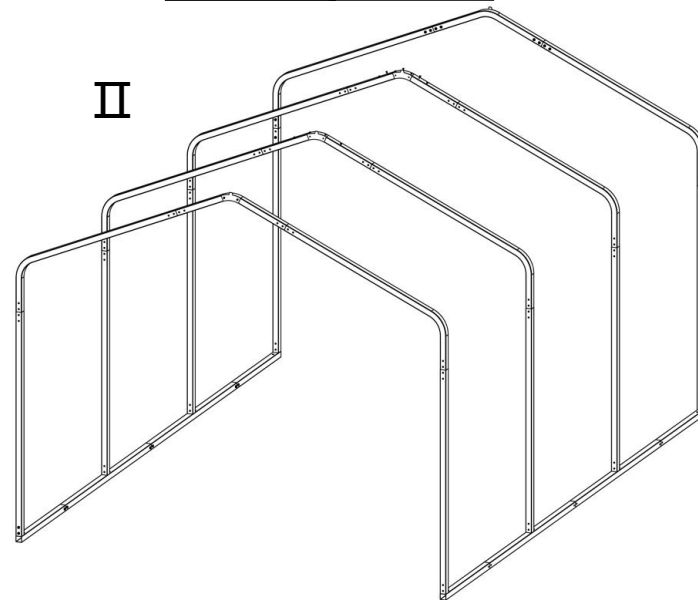
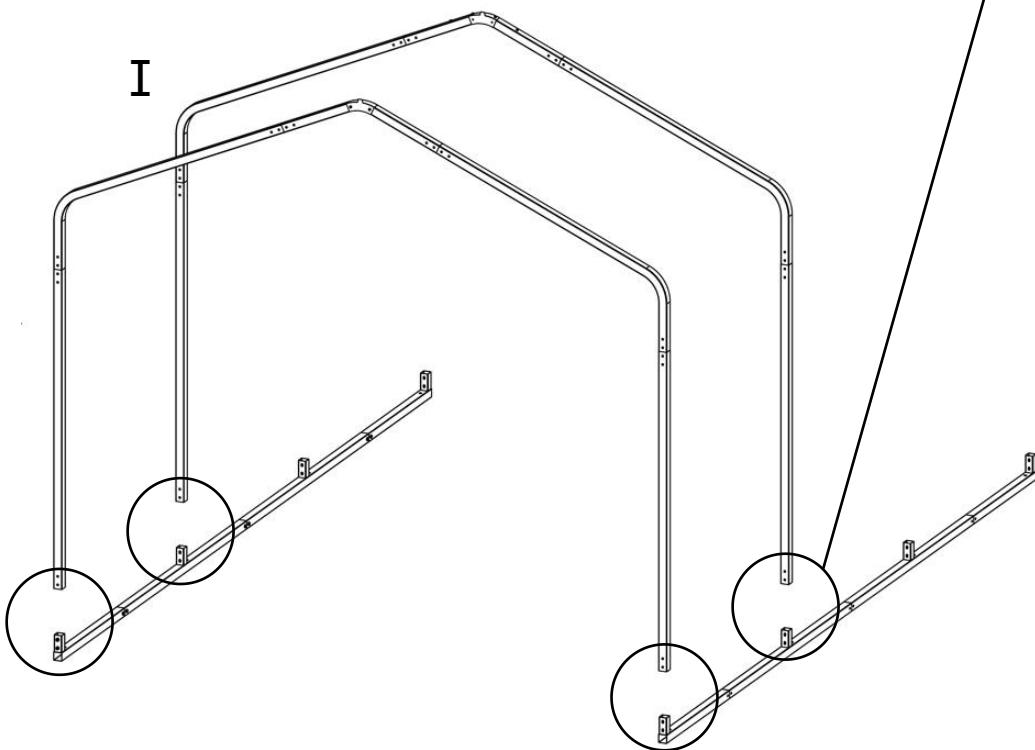
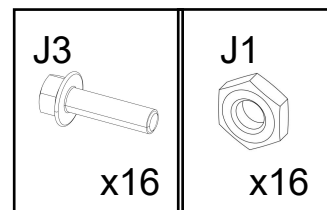
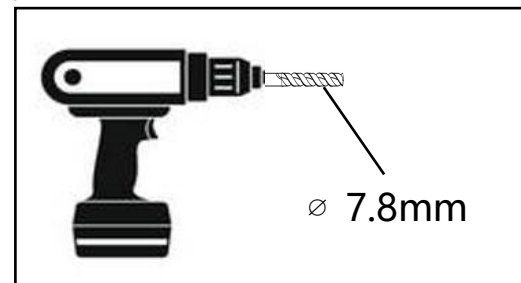


<p>C2</p>  <p>x8</p>	<p>F1</p>  <p>x16</p>	<p>J3</p>  <p>x48</p>	<p>J13</p>  <p>x48</p>
<p>E3</p>  <p>x8</p>			

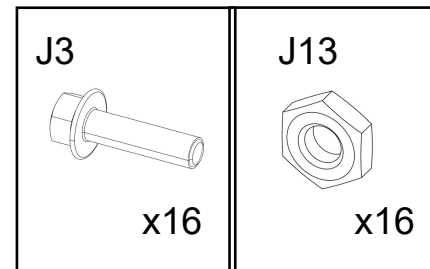
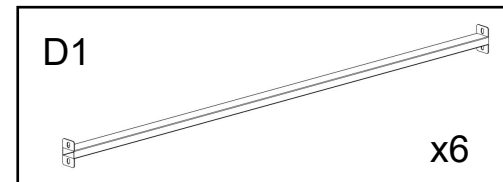
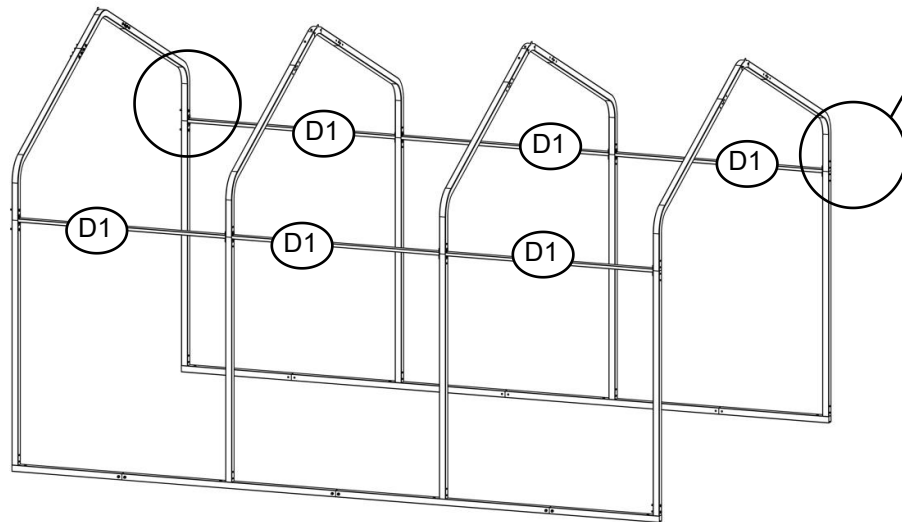
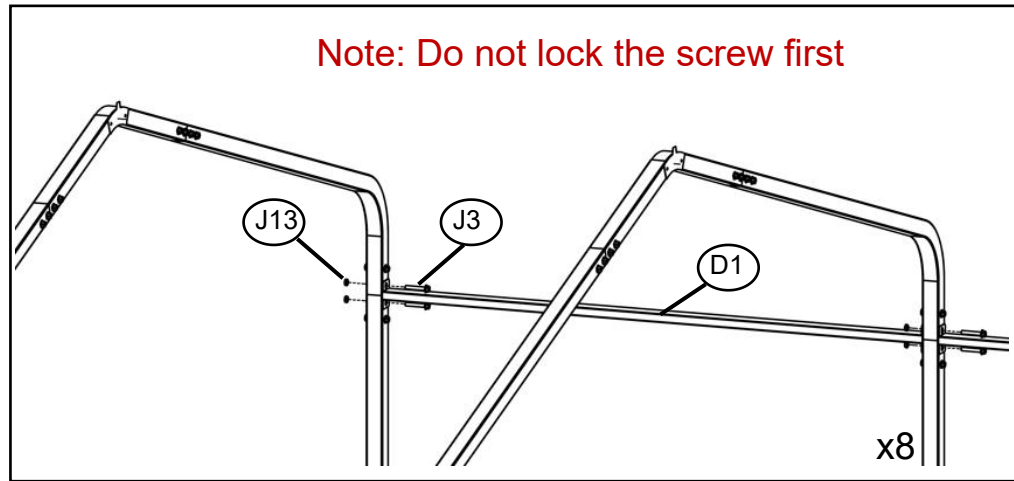
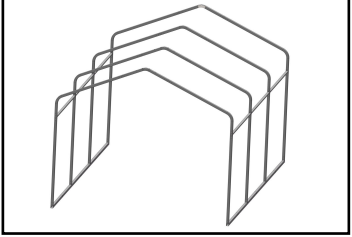
4. Secure the complete bracket to the bottom base



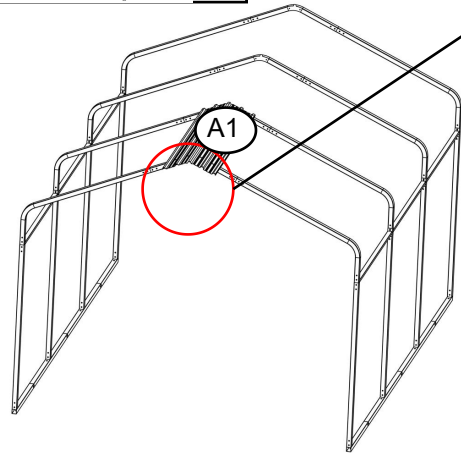
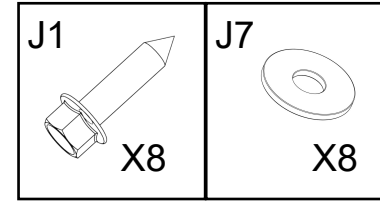
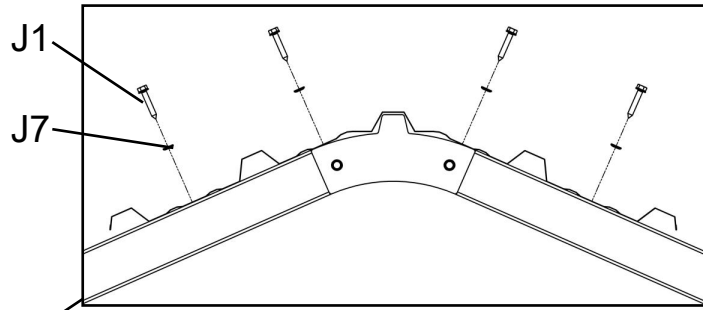
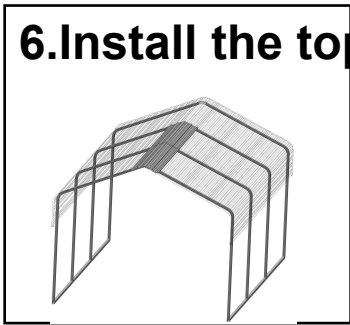
Note: If there is an error in the hole position, it can be corrected by the drill.



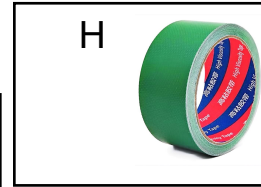
5. Install bracket reinforcement



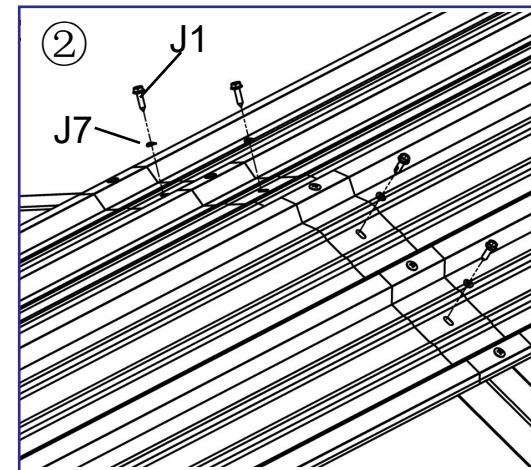
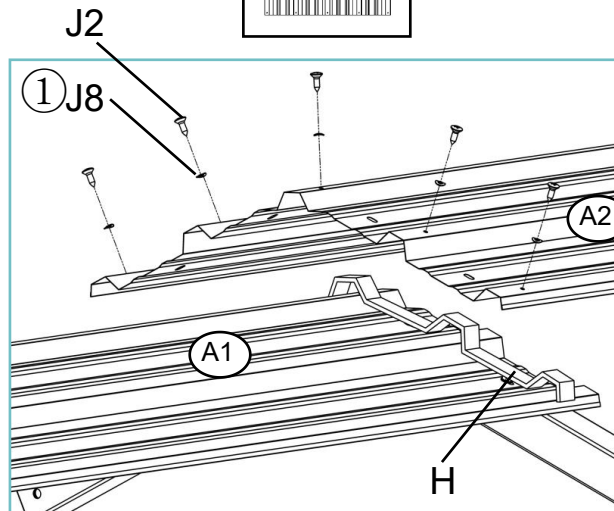
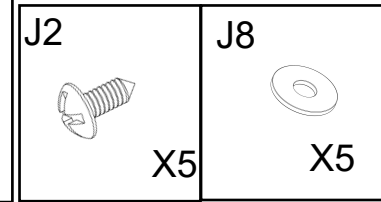
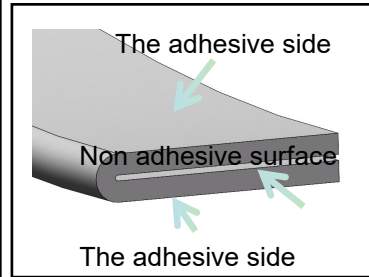
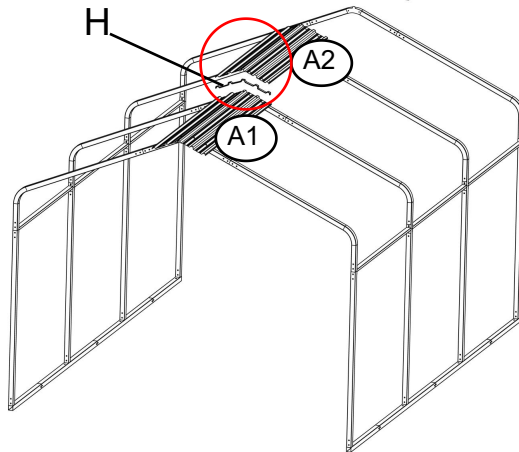
6. Install the top roof



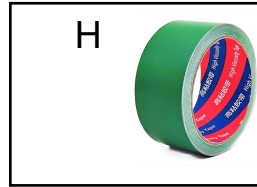
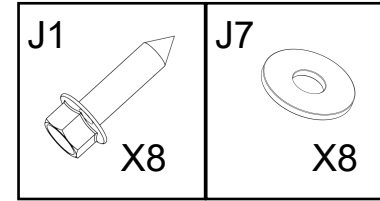
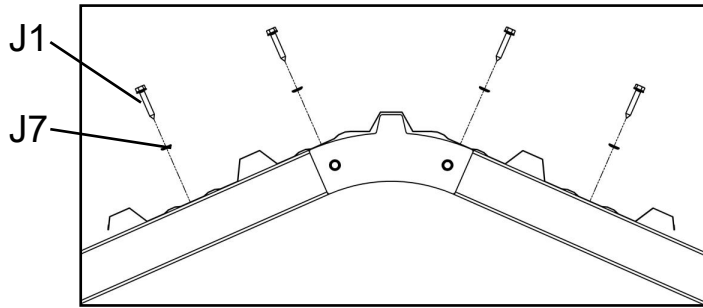
Note: Cut the H sealing strip into a section longer than the width of the color steel tile, fold it in half, stick half on A1 and half on A2.



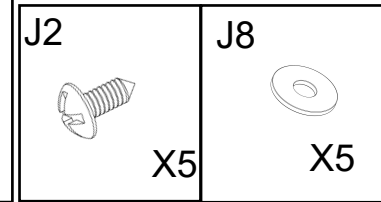
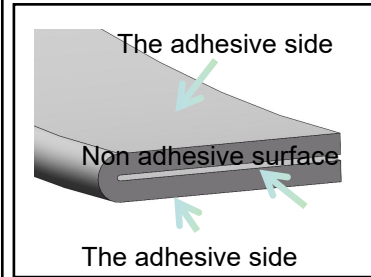
Note: The concave surface of the color steel tile is locked with J1, and the convex surface is locked with J2.



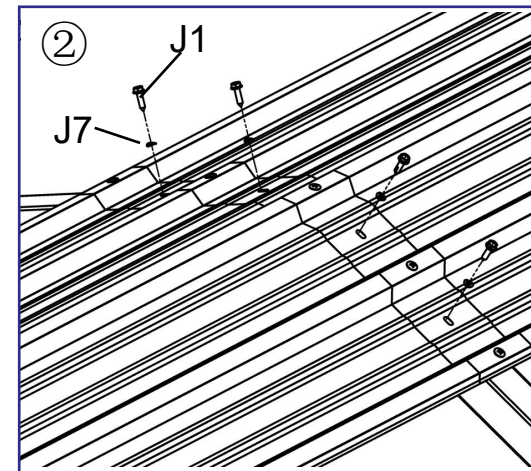
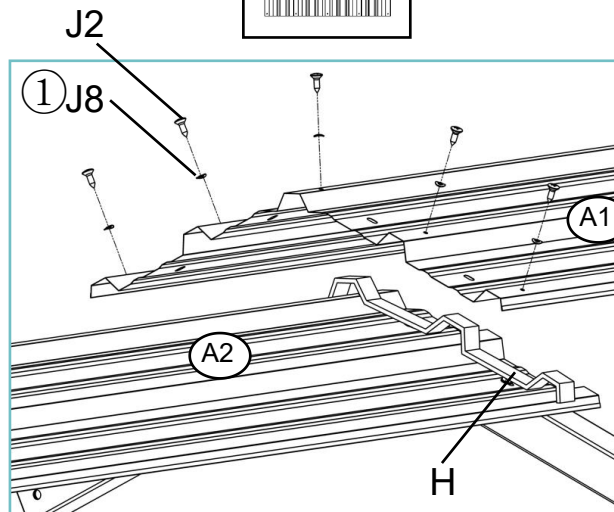
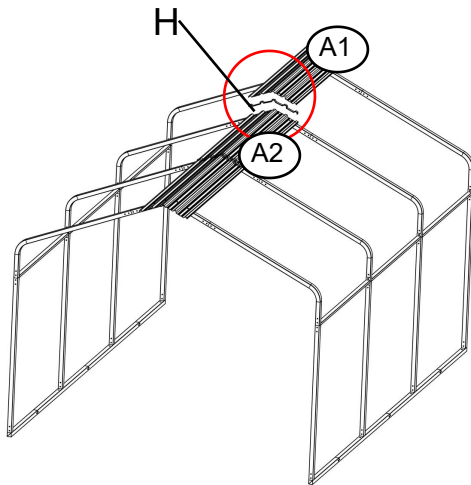
7. Install the top roof



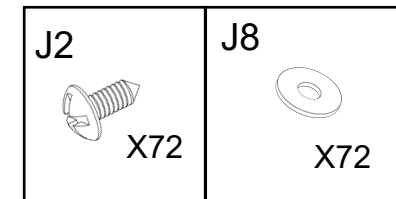
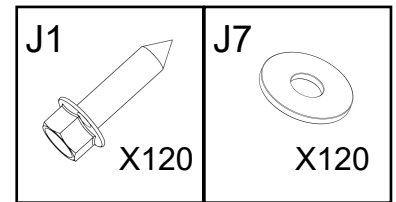
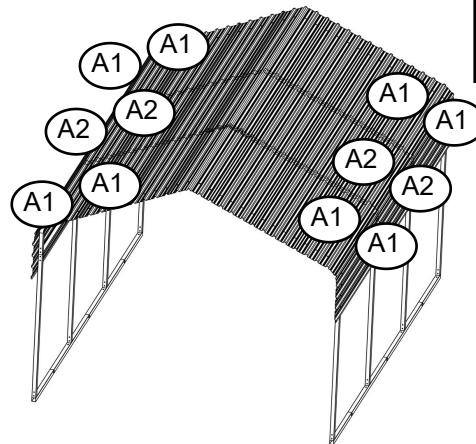
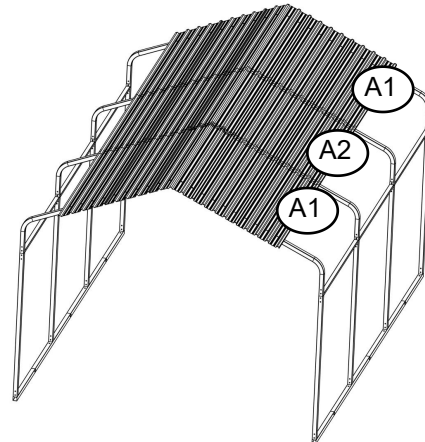
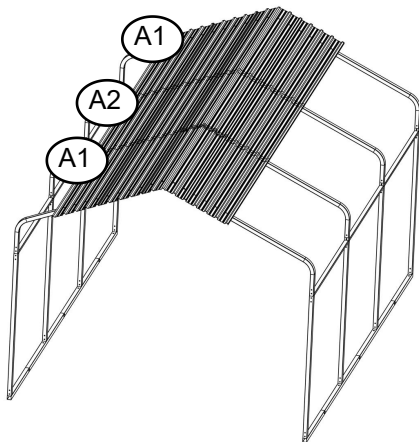
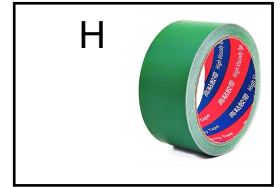
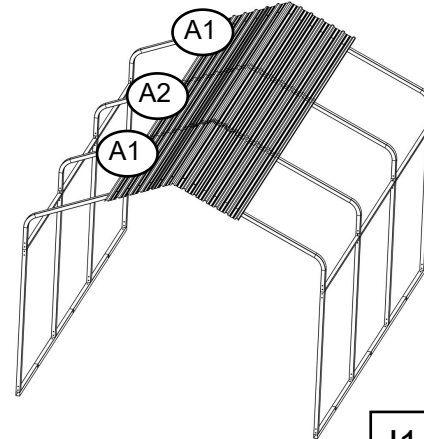
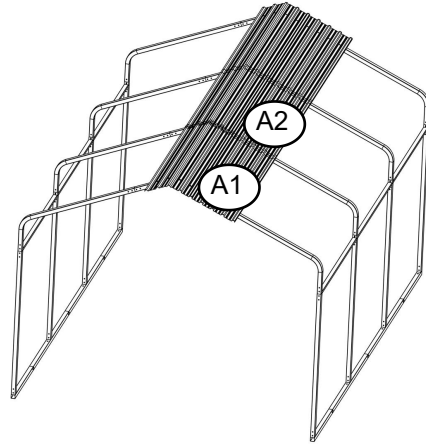
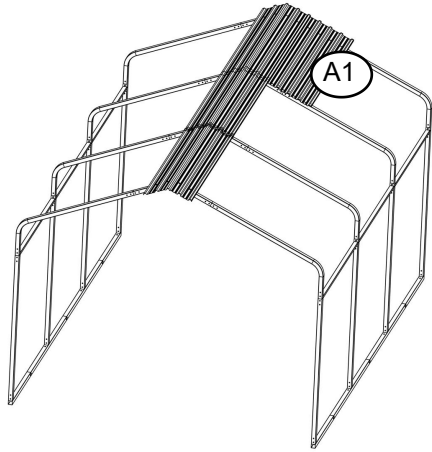
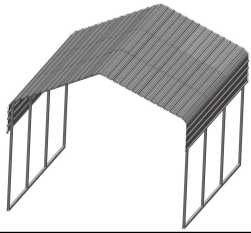
Note: The concave surface of the color steel tile is locked with J1, and the convex surface is locked with J2.



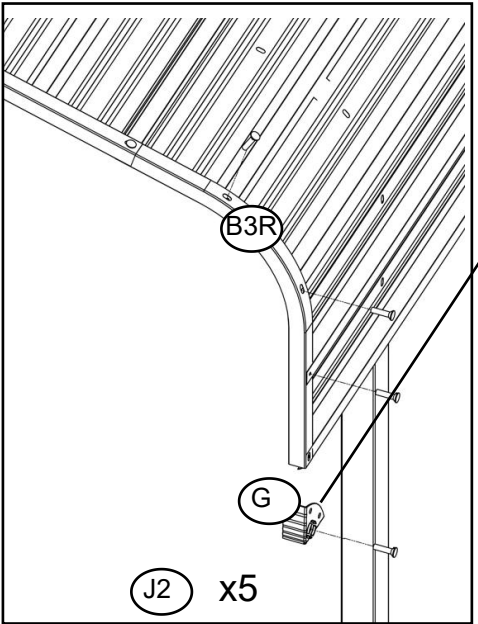
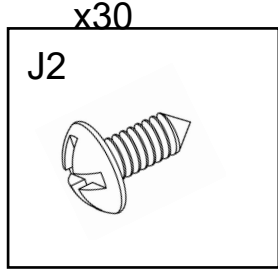
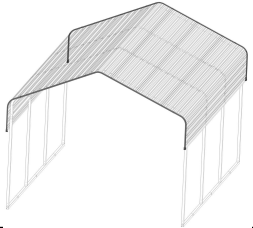
Note: Cut the H sealing strip into a section longer than the width of the color steel tile, fold it in half, stick half on A1 and half on A2.



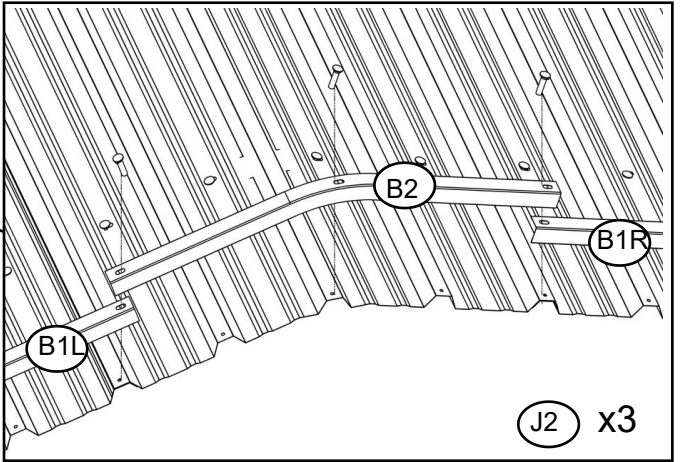
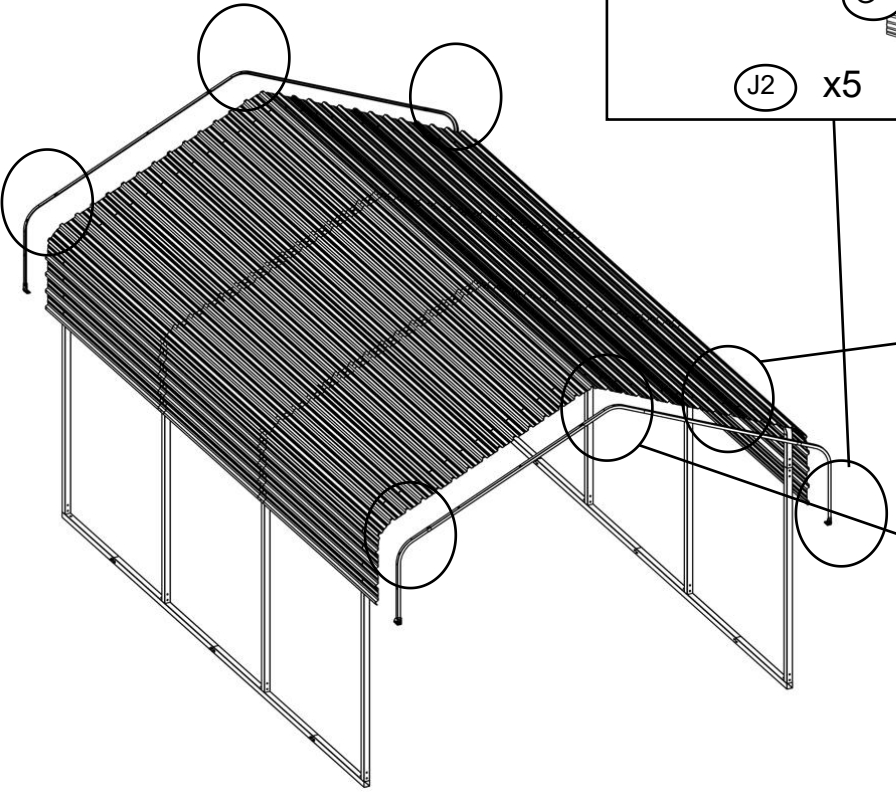
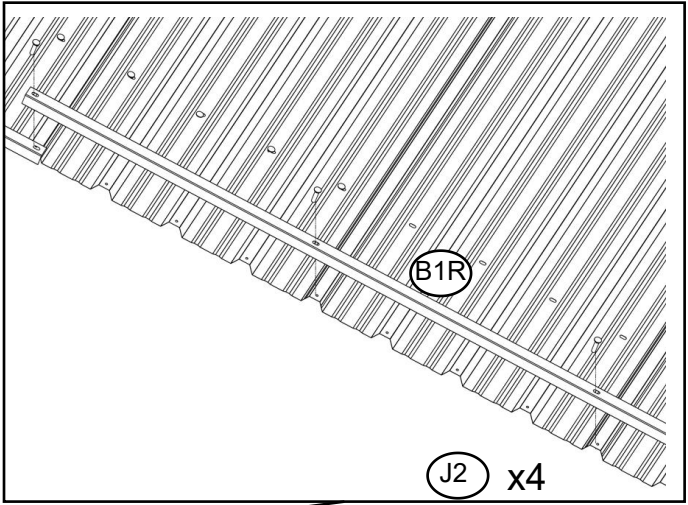
8. Install the whole roof steel tile



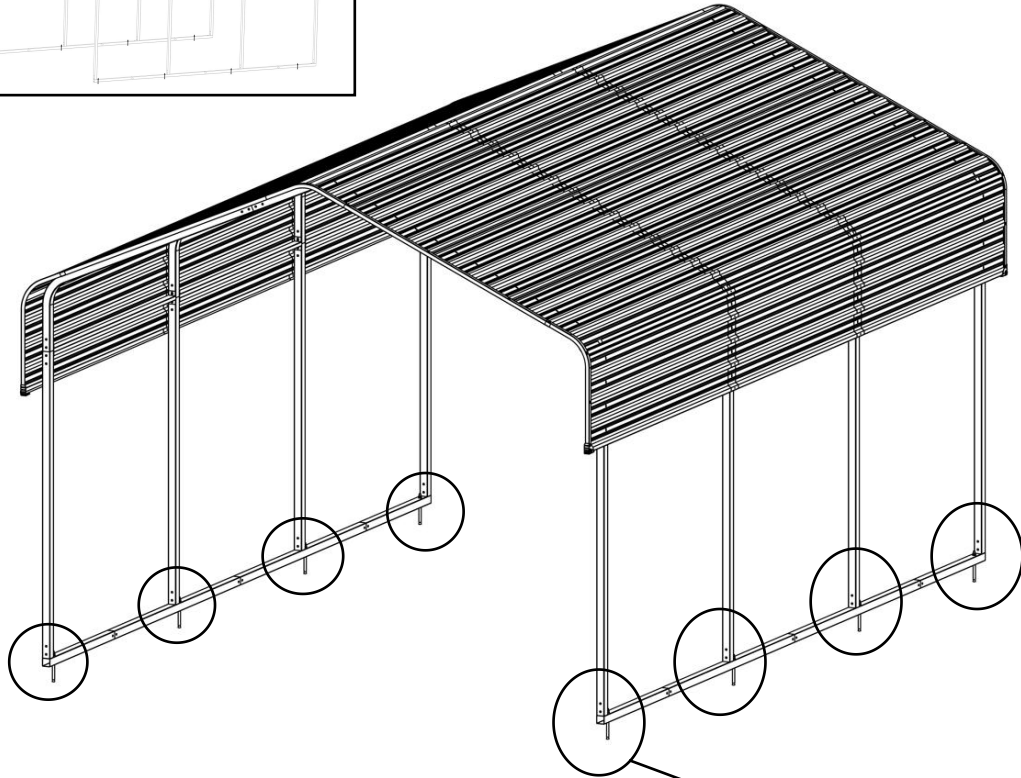
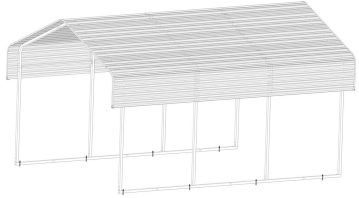
9. Install the cover frame



Note: When installing G, screws do not need to be padded, and other parts should be padded.



10. Install expansion screws

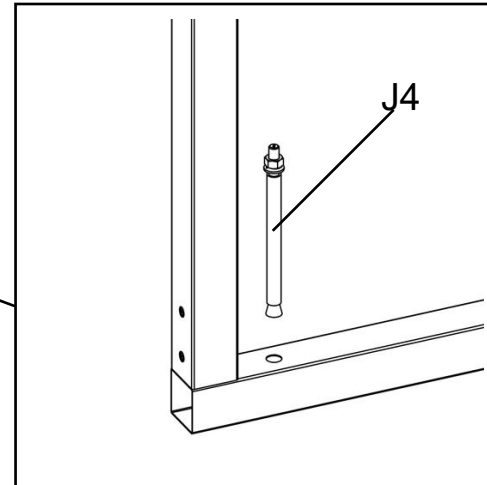


J4

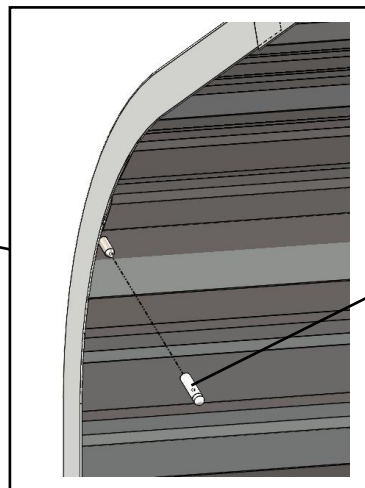
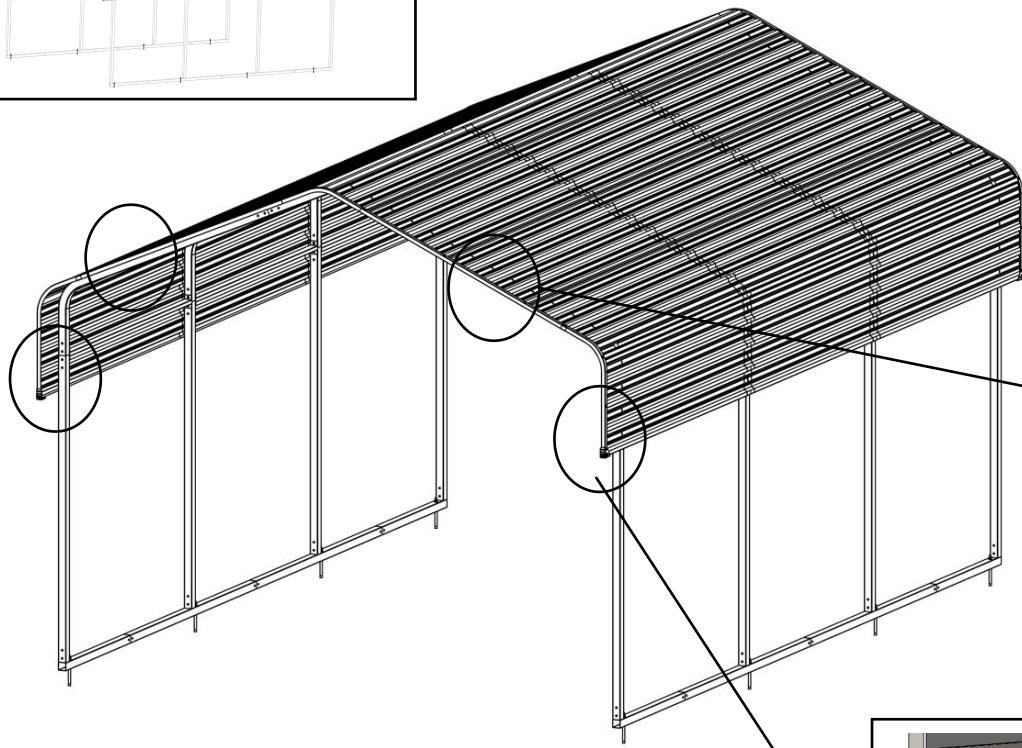
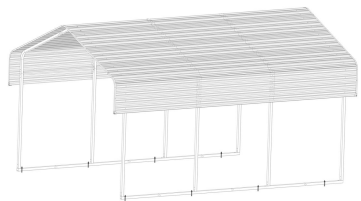


x8

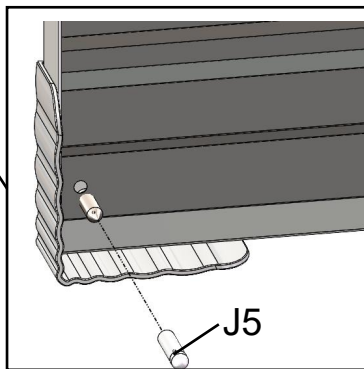
Note: First, use a drill bit to drill holes on the ground, and then install the corner screws.



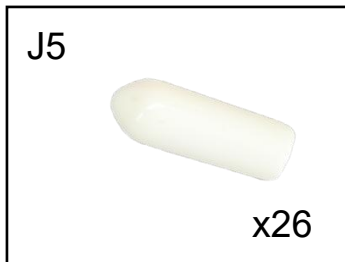
11. Install the screw sheath



J5



J5



J5

x26