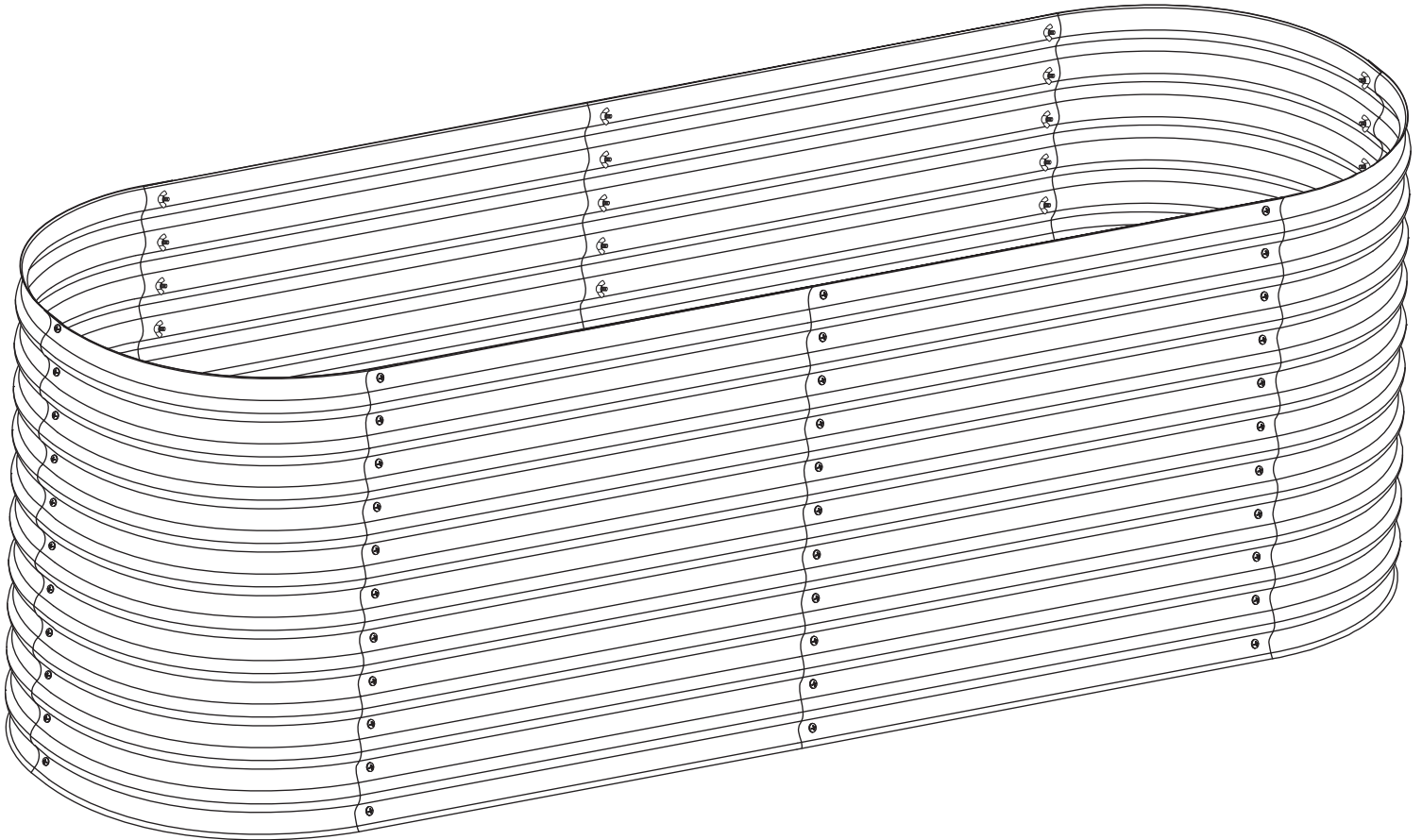
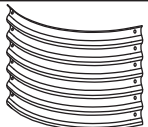
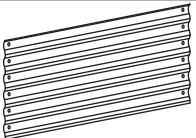






Thank you for choosing Sunnydaze Decor. We stand behind our brand and the quality of the items we sell. Replacement parts or products will be sent at our discretion within the 1-year warranty period. Proof of purchase, with the date of purchase as well as photos of the merchandise defect, must be provided. Photos are used to determine the cause of defects and for future quality control. Register your warranty at <https://tiny.cc/SunnydazeWarranty>. If you have any questions, comments or concerns, feel free to contact us by phone at 833-982-1977, by email: customerservice@sunnydazedecor.com, or via our contact us page at <https://tiny.cc/SunnydazeContact>

DOUBLE OVAL GALVALUME STEEL RAISED GARDEN BED


Read the assembly instructions and follow line drawings carefully. Save this document for future reference.
Assemble on a soft, clean surface to avoid scratching or damaging the finish.



No.	PARTS	QTY.
A	 End Panel	8
B	 Side Panel	8
C	 M6x25mm Bolt Set	8
D	 M6x12mm Bolt Set	88*
E	 Edge Trim	2
F	 Screwdriver	1

*Stacked Assembly: 80 sets required
 *Single/Separated Assembly: 88 sets required

CAUTION: SHARP EDGES WEAR GLOVES

 Inspect packaging to ensure all parts are accounted for before disposing of packing materials.

 2-PERSON ASSEMBLY

WARNING
CHOKING HAZARD — This item contains small parts that can be swallowed. Keep children and pets away during assembly.

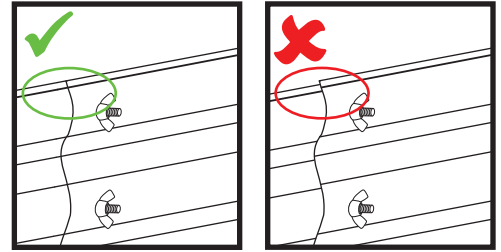
WARNING: Manufacturer and seller expressly disclaim any and all liability from personal injury, property damage or loss, whether direct or indirect, or incidental, resulting from the incorrect attachment, improper use, inadequate maintenance, or neglect of this product.

! HELPFUL HINTS

Before assembly, lay the panels out to ensure all edges will align correctly, as shown in the drawing to the right. If the edges are offset, switch or rotate the panels until all align correctly. If the panel edges are not properly aligned, the mounting holes will be difficult to align, and the Rubber Edge Trim will not install correctly.

Do not fully tighten hardware until all components have been loosely assembled.

If hardware is tightened too soon, mounting holes may not align, and parts may not easily fit together.



STACKED ASSEMBLY

STEP 1

A: 8

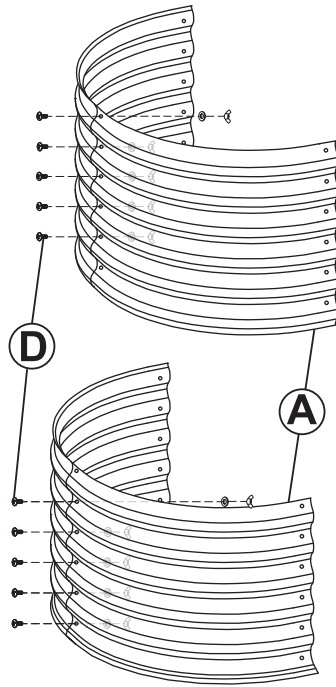
D: 20

NOTE: Read and understand the *Helpful Hints* noted above before beginning assembly.

Align the top and bottom sets of End Panels (A).

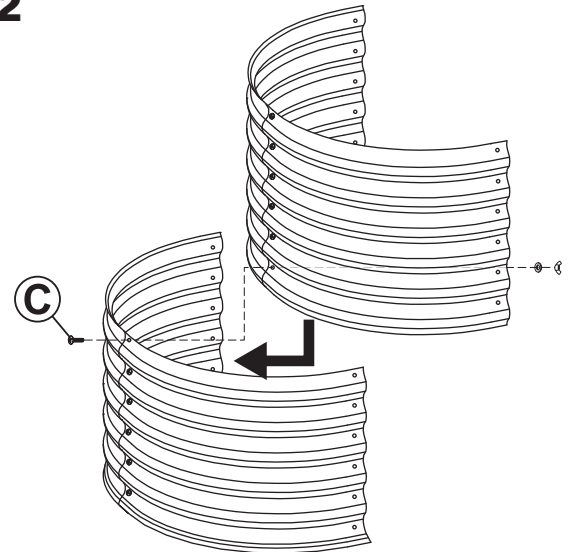
Loosely secure each panel set with five M6x12mm Bolt Sets (D) on each set.

Repeat this step to connect the remaining end panels.



STEP 2

C: 2

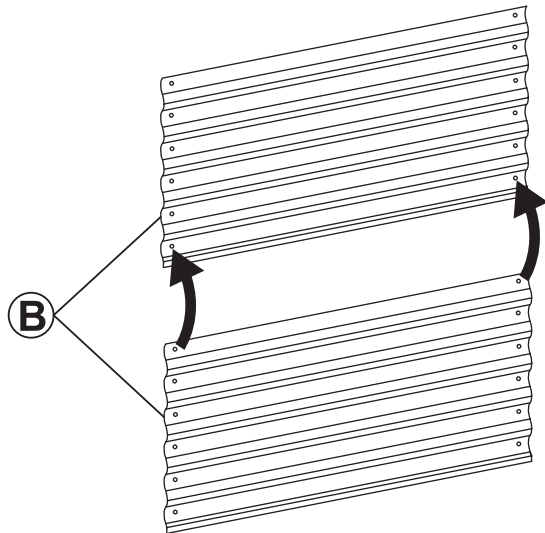


Align the top and bottom end panel sets and secure using one M6x25mm Bolt Set (C).

Repeat to connect the remaining end panels.

STEP 3

B: 8



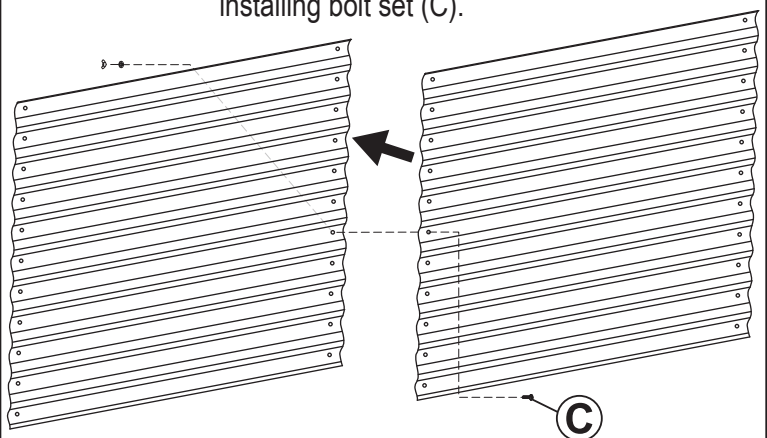
Ensuring panel edges align correctly, overlap two Side Panels (B), as shown.

Repeat this step for all remaining side panels.

STEP 4

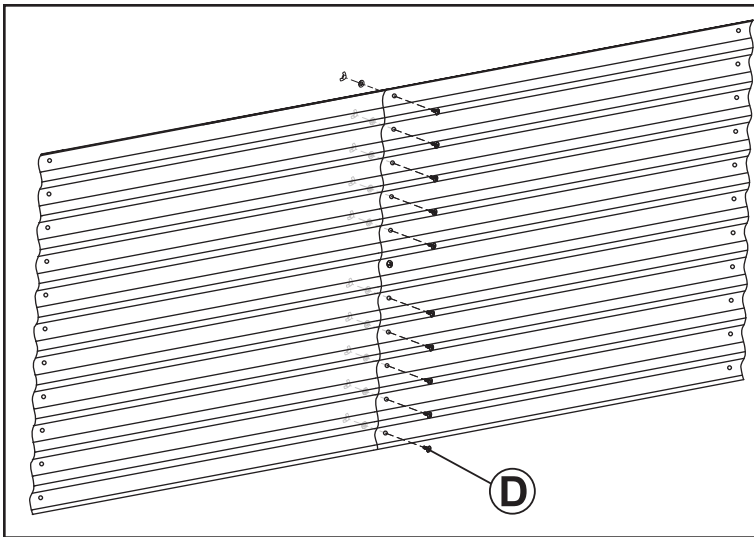
C: 2

TIP: Install a few short bolt sets (as shown in Step 5) to help hold the panels in place while installing bolt set (C).



Ensuring the edges align correctly, overlap two sets of side panels. Then, use one M6x25mm Bolt Set (C) to fasten the center-most mounting hole, as shown.

Repeat this step to connect the side panels for the opposite side of the garden bed.

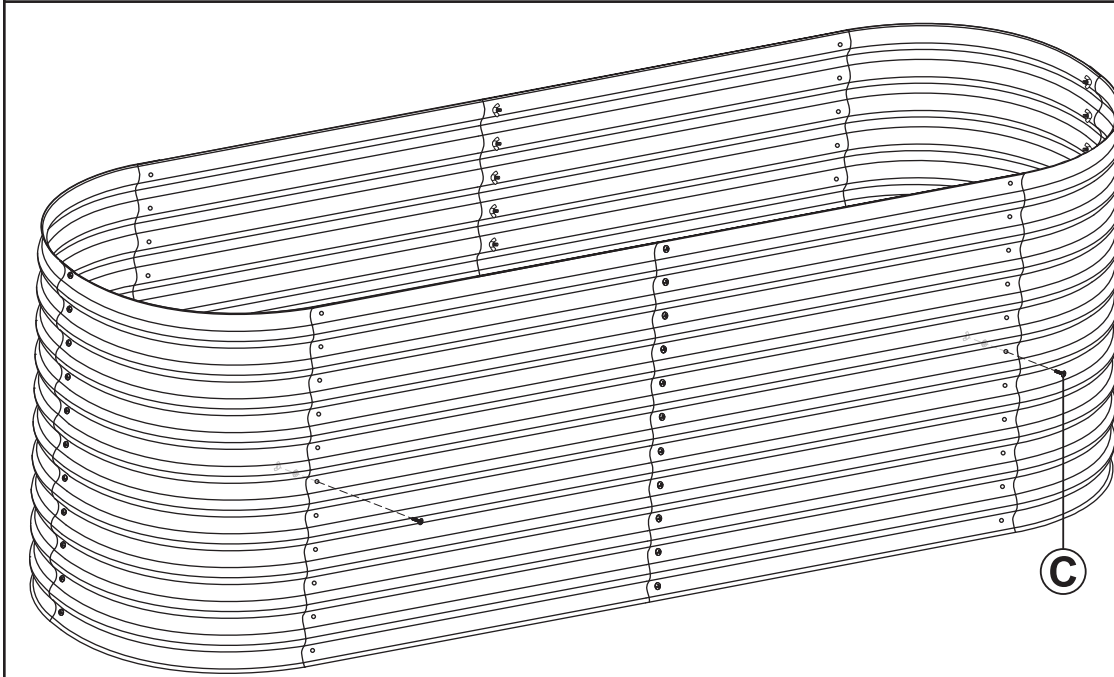


STEP 5

D: 20

Finish connecting the side panels by hand-tightening M6x12mm Bolt Sets (D).

Repeat this step to finish connecting the side panels for the opposite side of the garden bed.

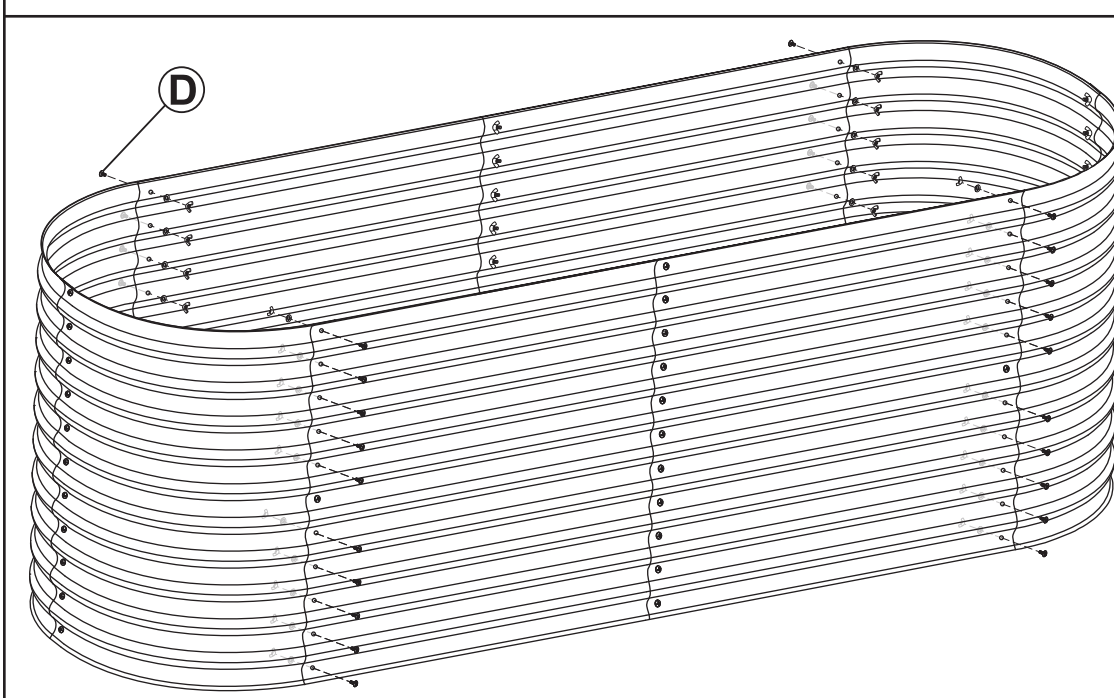


STEP 6

C: 4

Place the assembled side panels on the insides of the assembled end panels and align the mounting holes.

Secure each side panel set using two M6x25mm Bolt Sets (C) to fasten the center-most (6th) mounting hole, as shown.



STEP 7

D: 40

Use the remaining forty M6x12mm Bolt Sets (D) to finish securing the side panels to the end panels.

Tighten all hardware after this step is complete.

SINGLE/SEPARATED ASSEMBLY

! HELPFUL HINTS

Align panels as noted in the Helpful Hints on page 2.

Placement of M6x25mm Bolt Sets (C), as shown in the assembly steps below, is a recommendation. Assembling one of the beds with the bolts on top will make it easier to identify the longer bolts if you decide to stack the garden beds.

STEP 1

A: 8

D: 22

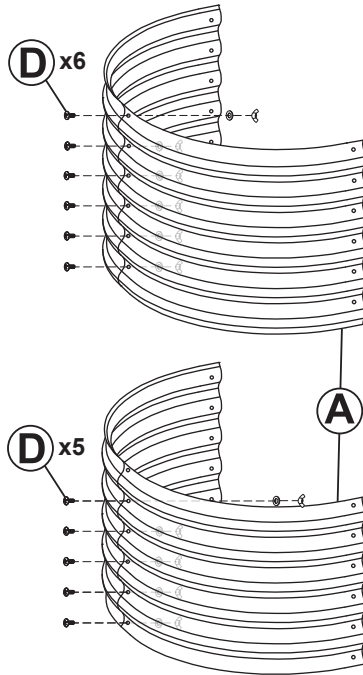
NOTE: Read and understand the *Helpful Hints* noted above before beginning assembly.

Align two sets of End Panels (A).

Loosely secure the first set using six M6x12mm Bolt Sets (D).

On the second set, secure the bottom five mounting holes with five M6x12mm Bolt Sets (D).

Repeat this step to connect the remaining end panels.

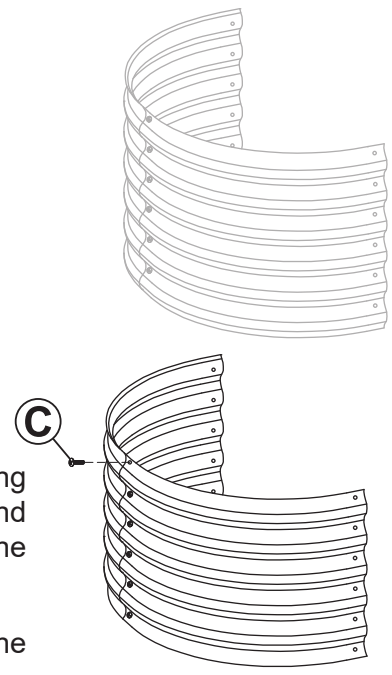


STEP 2

C: 2

Secure the top mounting hole of the second end panel set using one M6x25mm Bolt Set (C).

Repeat this step for the opposite end panel set.



STEP 3

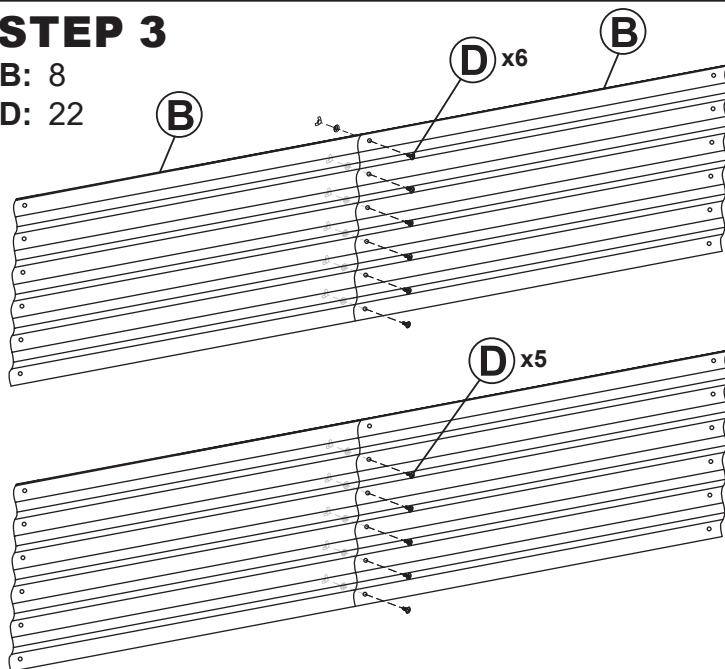
B: 8

D: 22

Ensuring panel edges align correctly, secure two Side Panels (B) using six M6x12mm Bolt Sets (D).

For the second set of side panels, secure the bottom five mounting holes using five M6x12mm Bolt Sets (D).

Repeat this step with the remaining four side panels.

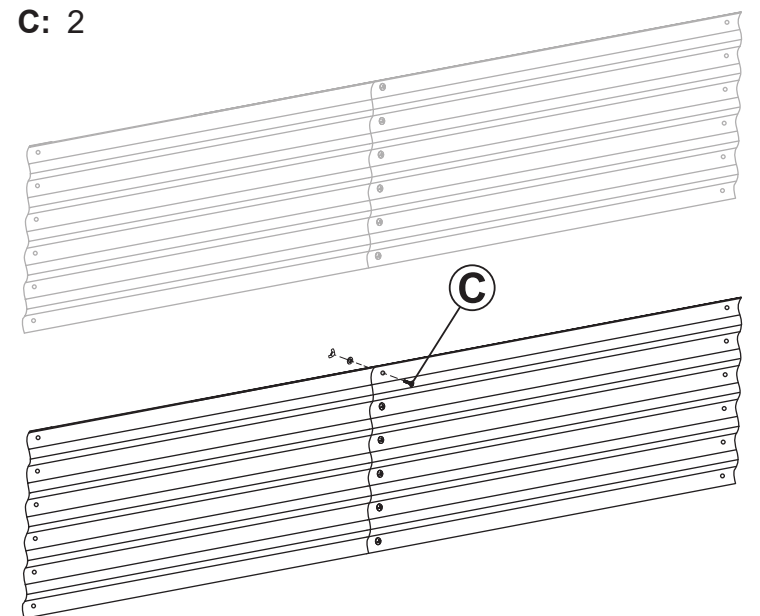


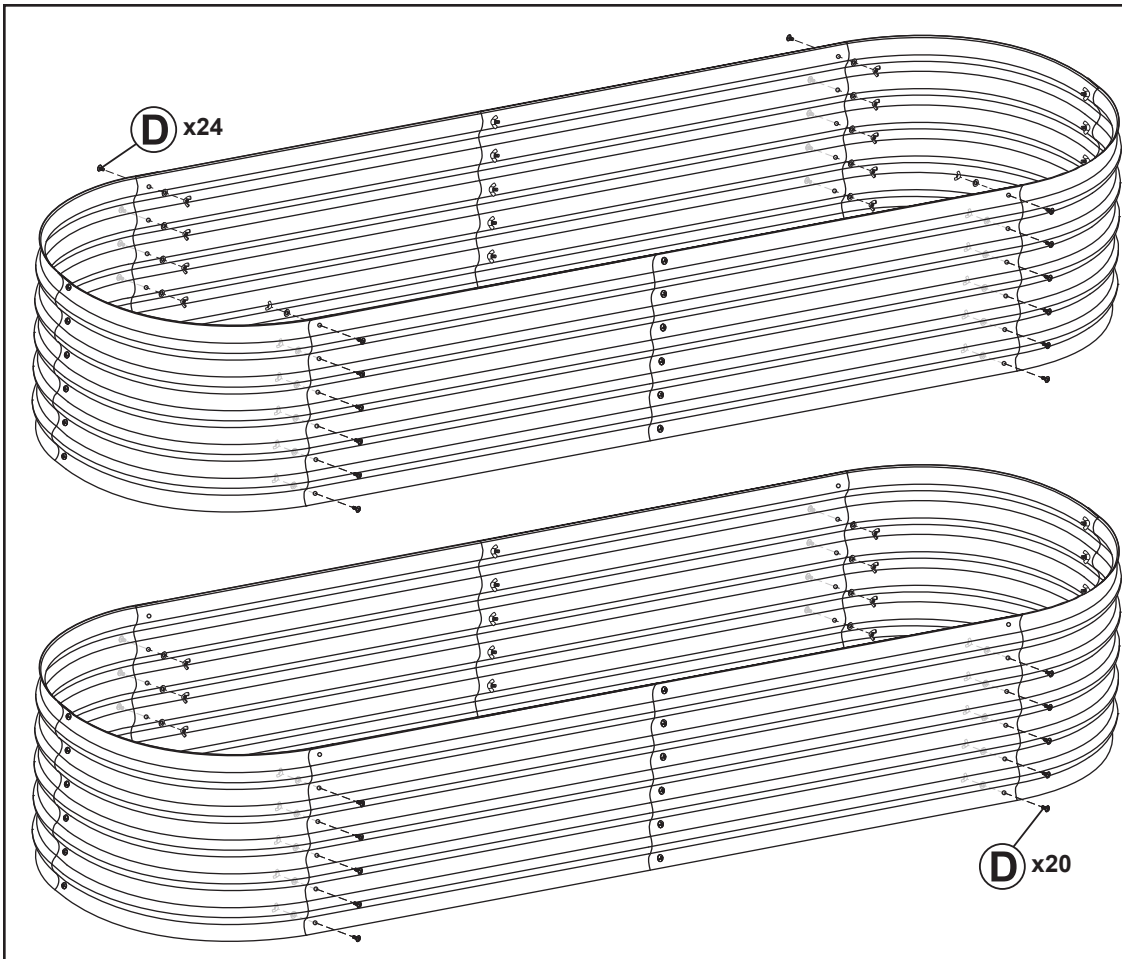
STEP 4

C: 2

Secure the top mounting hole of the second side panel set using one M6x25mm Bolt Set (C), as shown.

Repeat this step to connect the remaining side panel set.





STEP 5

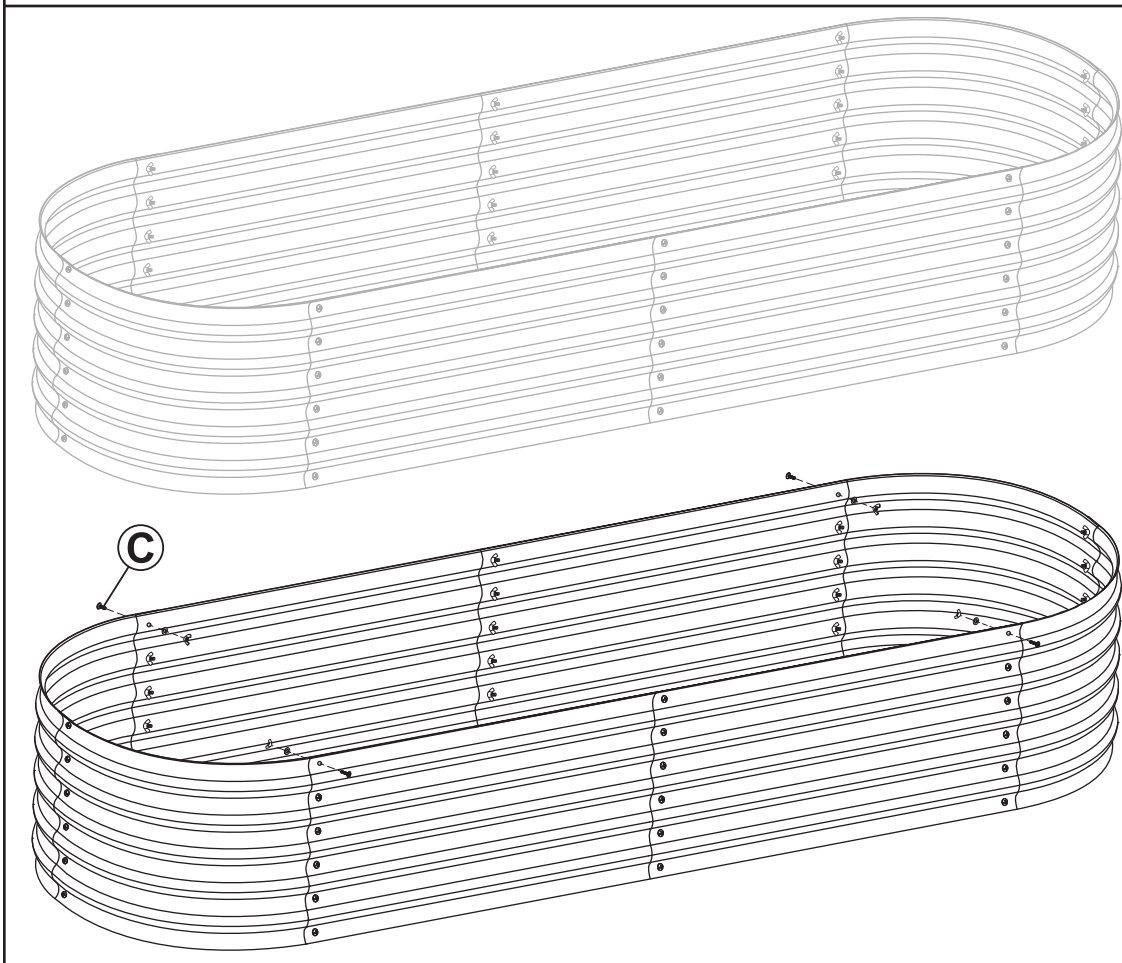
D: 44

Align the first matching side panel sets with the matching set of end panels.

Loosely secure the side panel sets using twenty four M6x12mm Bolt Sets (D).

Align the second set of side panels with the remaining end panels, ensuring all longer bolts are on the top of the garden bed.

Secure the bottom five mounting holes with twenty M6x12mm Bolt Sets (D), as shown.



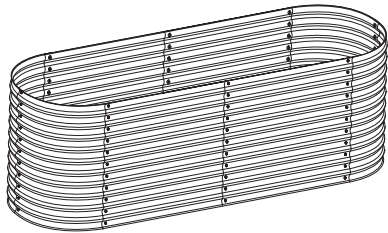
STEP 6

C: 4

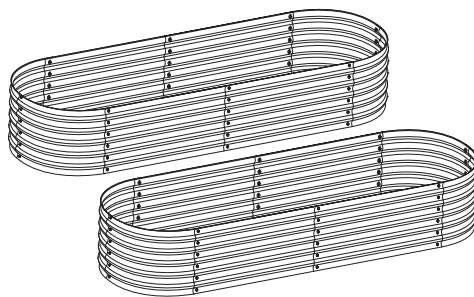
Secure the top mounting holes of the second garden bed using four M6x25mm Bolt Sets (C), as shown.

Fully tighten all hardware after this step is complete.

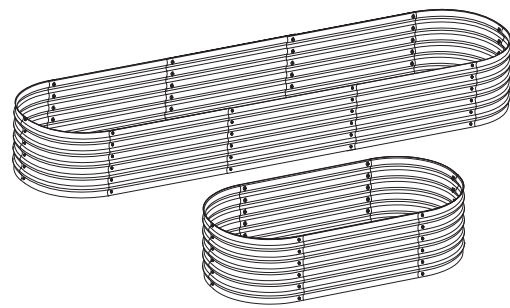
CONFIGURATION OPTIONS



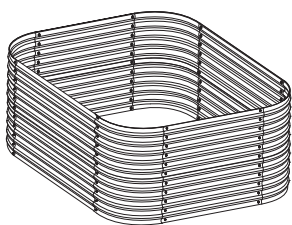
Tall Oval



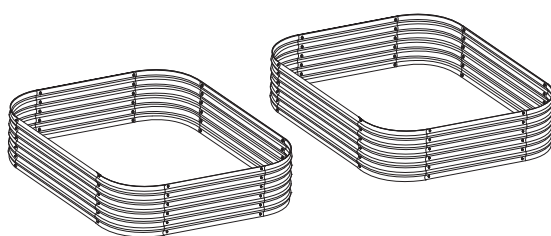
Two Ovals



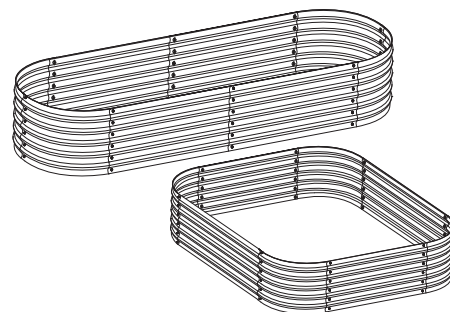
Long Oval + Short Oval



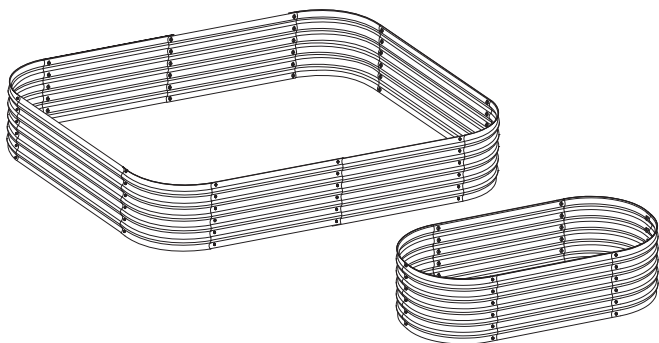
Tall Square



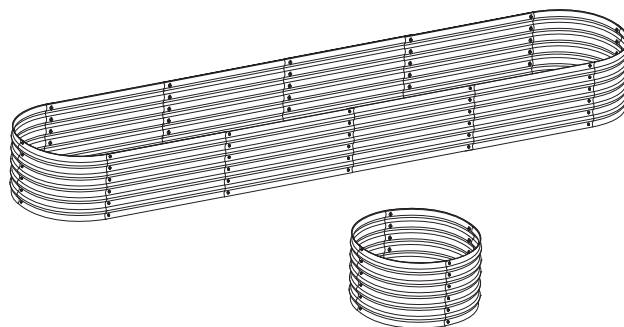
Two Squares



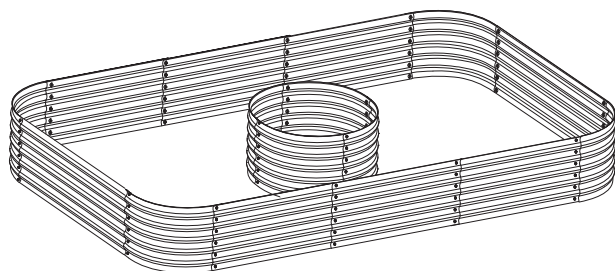
Oval + Square



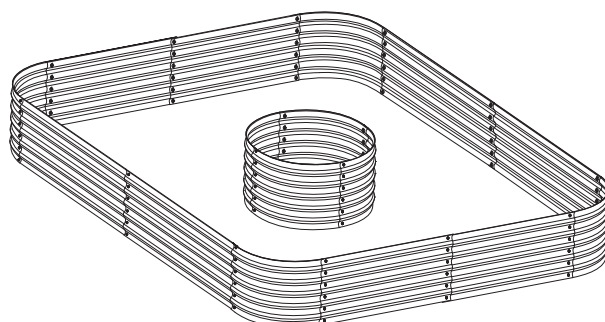
Rectangle + Oval



XL Oval + Circle



Long Rectangle + Circle



Large Square + Circle

EDGE TRIM INSTALLATION (optional)

Begin Installation

Firmly push Trim Edge (E) onto the top side of the garden bed.

Avoid leaving excess material as the trim edge is pressed around the top side of the garden bed.

Removing Excess Trim Material

Always use a sharp, proper cutting tool to cut trim.

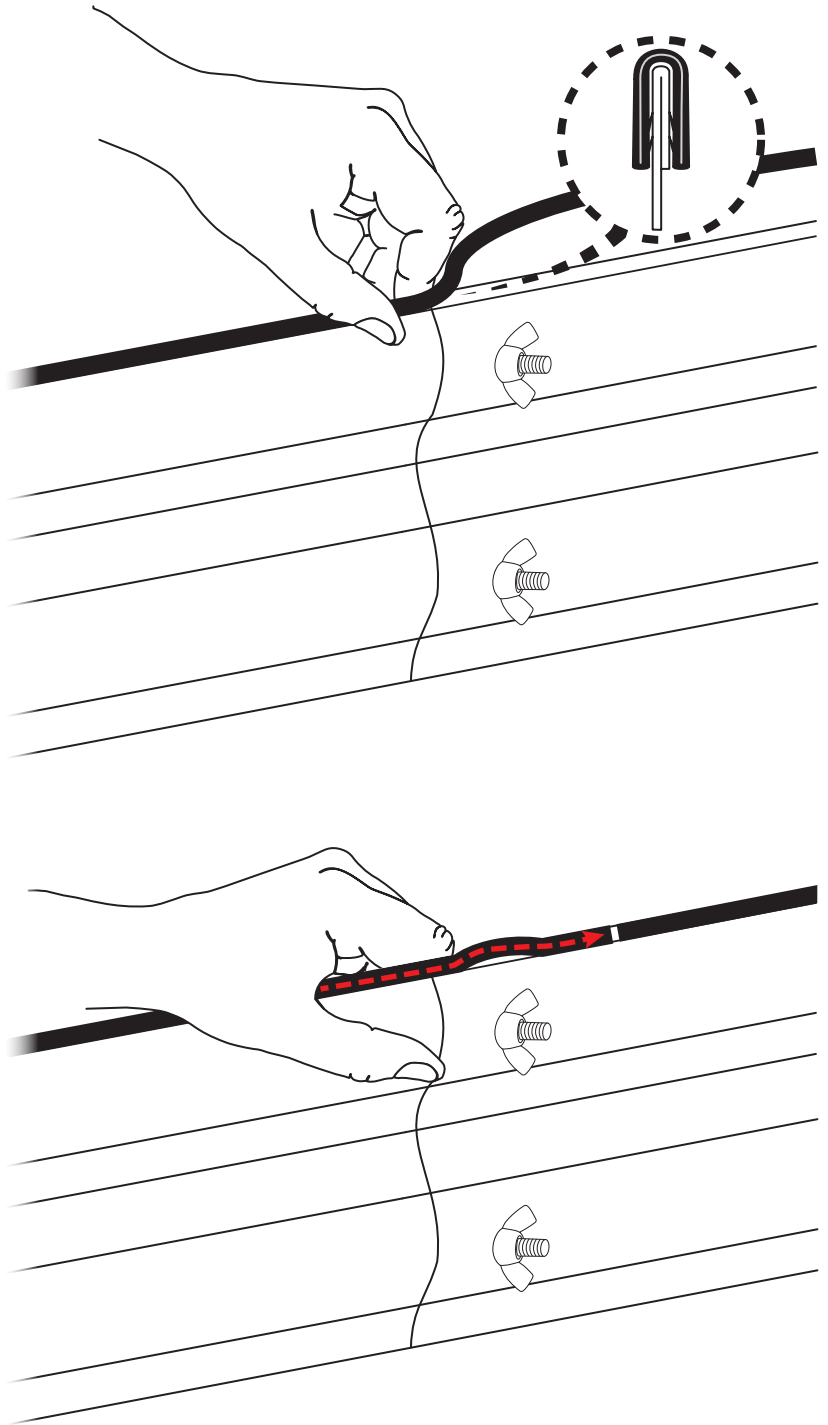
There are metal clips segments embedded into the trim. To ensure a clean cut, identify the spacing between the clips before cutting. If you do not identify the spacing, the trim may crush when making the cut.

Take care not to cut the trim too short!

Some configuration(s) will require using trim from both rolls. Measure carefully and do not trim until you are certain the length is sufficient.

Finishing Installation

Over time, all plastics will experience some shrinkage, causing your trim edges to separate. To complete the edging installation, leave a bit more material on one side and push the ends together. Press the extra material down to force more material into the application so the trim is not stretched.



Any modification to the product or failure to follow recommended care will void the product warranty.

WARNING!

Manufacturer and seller expressly disclaim any and all liability from personal injury, property damage or loss, whether direct or indirect, or incidental, resulting from the incorrect attachment, improper use, inadequate maintenance, or neglect of this product.