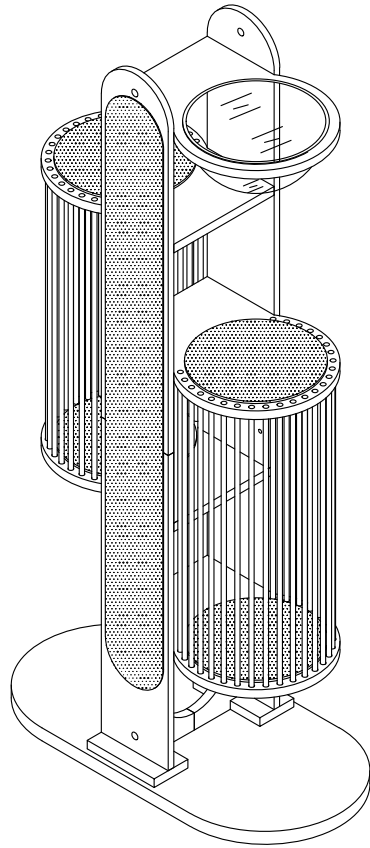

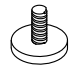



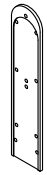

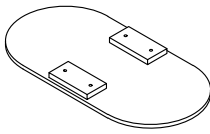
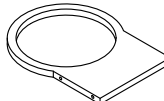
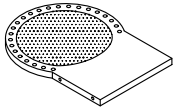
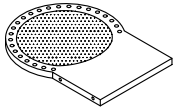
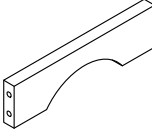


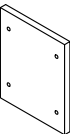


# Mewzoom Cat Tree Tower



## Hardware List

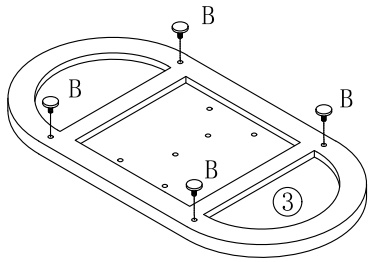
<p>A</p>  <p>×46</p>	<p>B</p>  <p>×4</p>	<p>C</p>  <p>×1</p>
---	--	--

## Hardware List

<p>①</p>  <p>×2</p>	<p>②</p>  <p>×2</p>	<p>③</p>  <p>×1</p>
<p>④</p>  <p>×1</p>	<p>⑤</p>  <p>×2</p>	<p>⑥</p>  <p>Semi-through hole ×2</p>
<p>⑦</p>  <p>×2</p>	<p>⑧</p>  <p>×2</p>	<p>⑨</p>  <p>×1</p>
<p>⑩</p>  <p>×2</p>	<p>⑪</p>  <p>×2</p>	<p>⑫</p>  <p>×48</p>

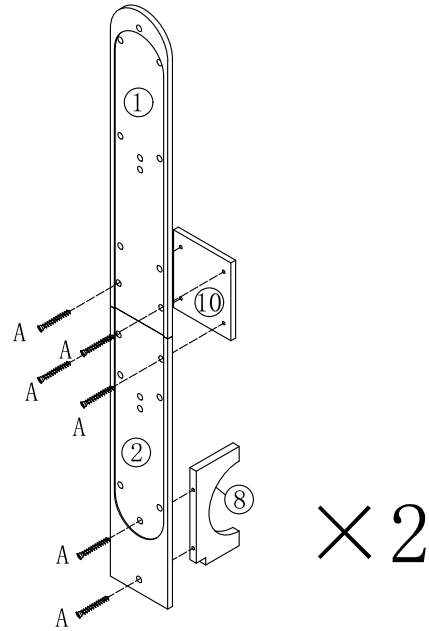
# Assembly instructions

STEP 1



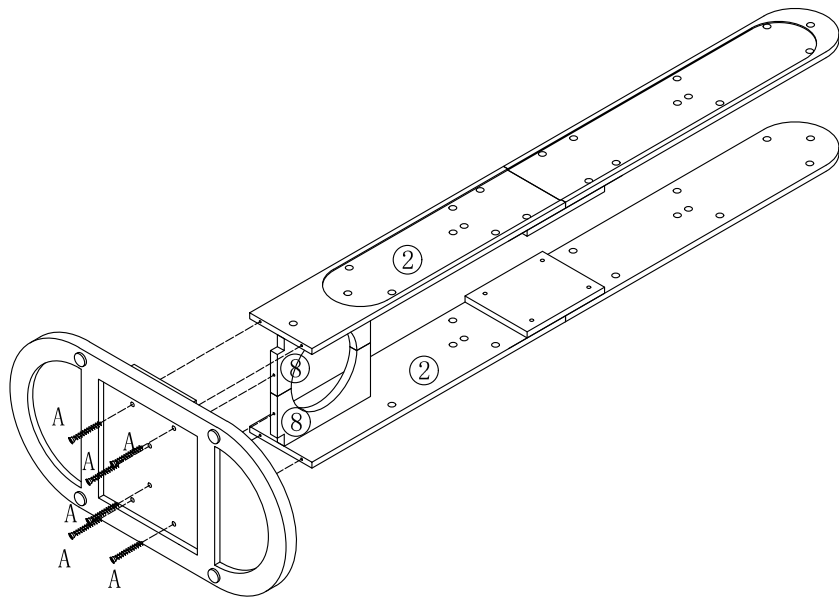
B×4

STEP 2



A×12

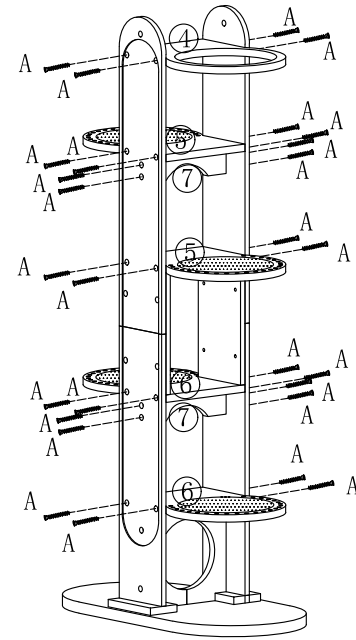
STEP 3



A×6

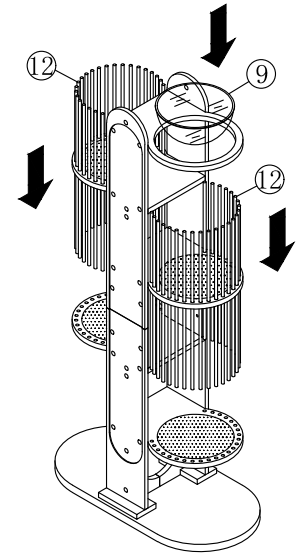
# Assembly instructions

STEP 4

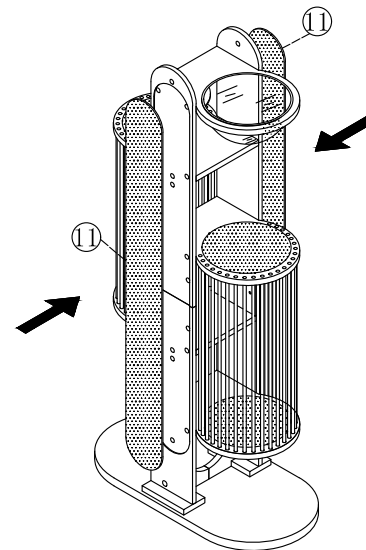


A×28

STEP 5



STEP 6



STEP 7

