

PLUMBERS INSTALLATION INSTRUCTIONS
PLEASE READ CAREFULLY
BEFORE INSTALLATION

The 40mm Eco Bottle Trap has been designed for use with the Caroma range of wastes.

Supplied components:

The bottle trap will come with two major pre-assembled components.

A - trap body

B - waste pipe

Seals provided:

One flat seal for connection to the basin

One O-ring to connect the waste pipe (**B**) to the body (**A**)

Two keeseals

Installation procedure:

For varying installation requirements the bottle trap can be cut to size to basin and waste pipe connection, as follows.

1. Measure the basin waste setout **C**, as detailed in **Fig. 2**.

2. Cut waste pipe **B** to the length **C** minus 45mm. The total range of 100 - 345mm is achievable as detailed in **Fig. 4**.

3. Ensure that 40mm DWV pipe projection is 22mm from wall.

4. Assemble the bottle trap and fix it to the basin waste. The vertical tube slides down to adjust the length from 190 to 70mm, as detailed in **Fig. 4**.

5. Fit the bottle trap to the waste pipe. For ease of installation, loosen the basin fittings and lift the basin at the front while fixing the bottle trap.

6. Ensure that all joints are tight and check for leaks.

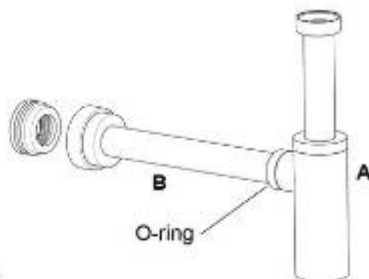


Fig. 1

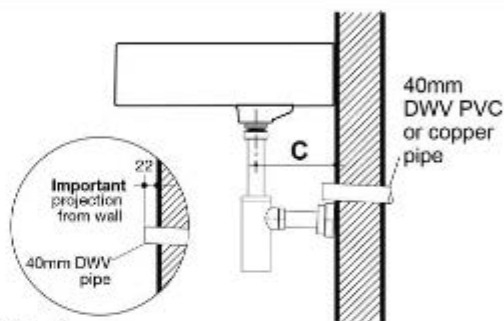


Fig. 2

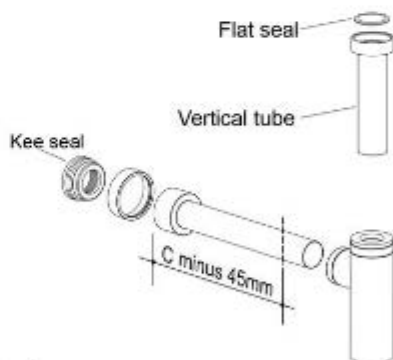


Fig. 3

