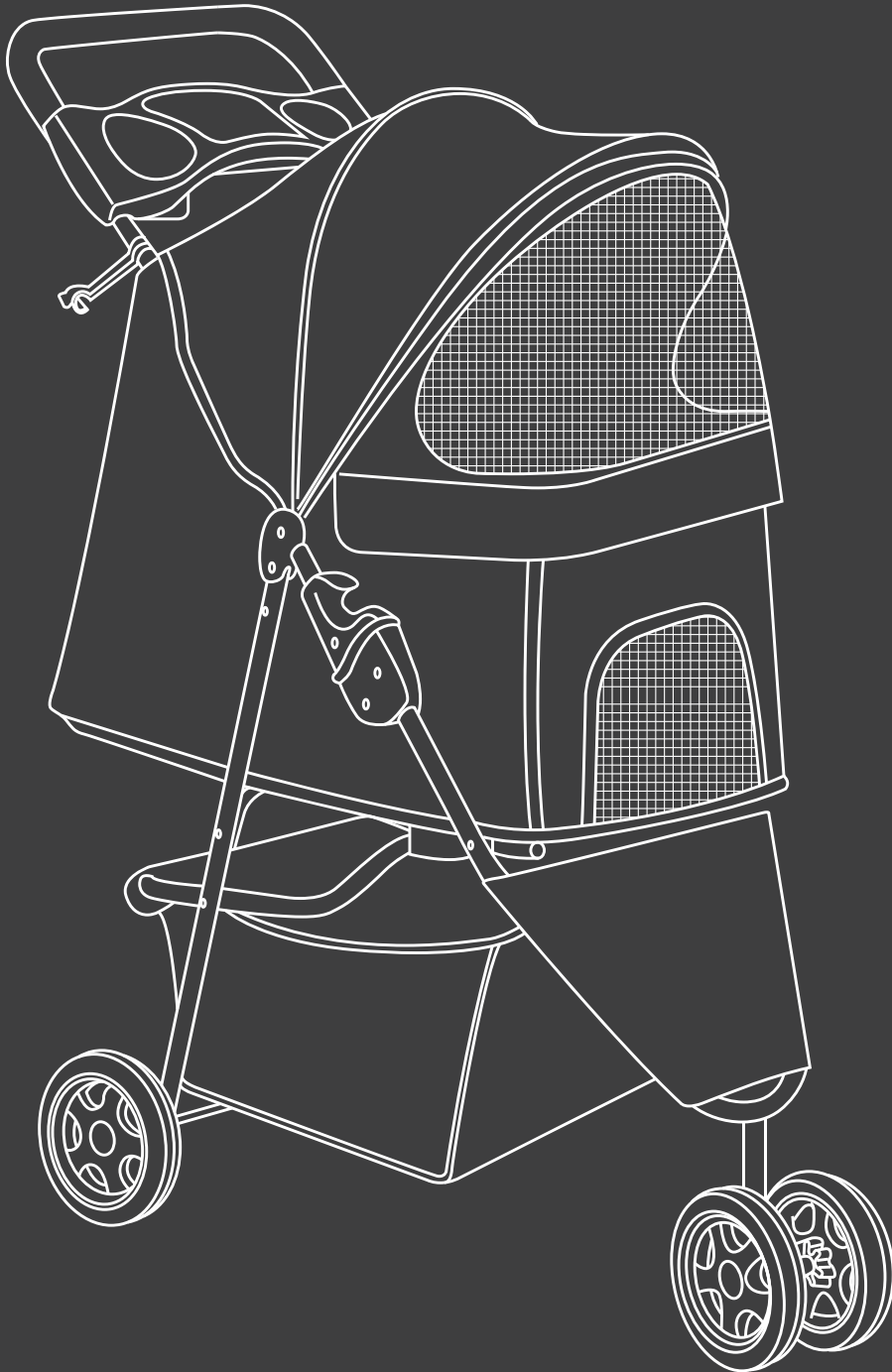


3 Wheels Pet Stroller

Instruction Manual

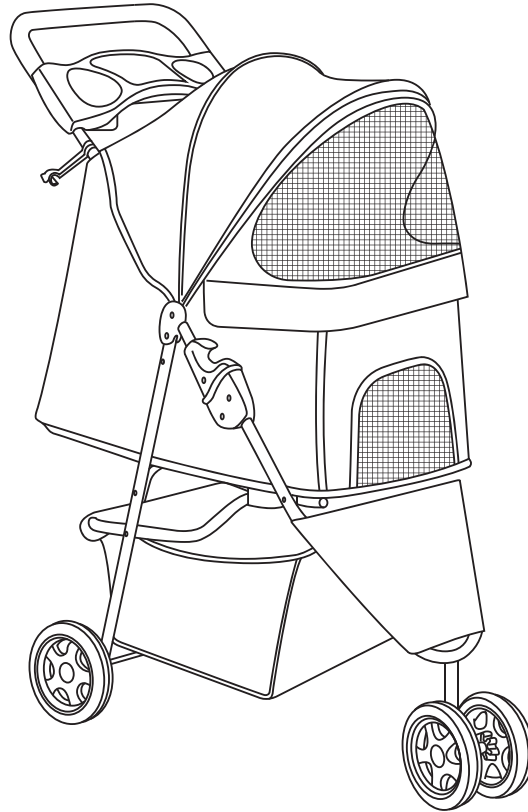
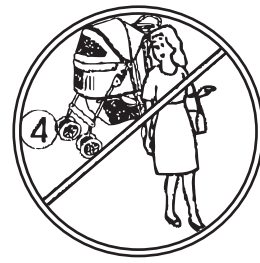
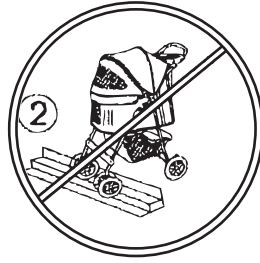
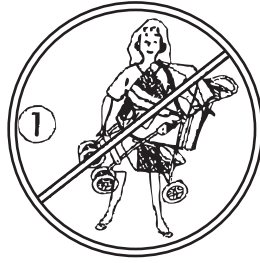
CW-TC3L-BK



✉ HJ-Customer-Service@outlook.com

☎ (909)637-7665 | (909)637-7593

EST 9:00AM--17:00PM



ADULT ASSEMBLY REQUIRED

Read all instructions before assembly and use.

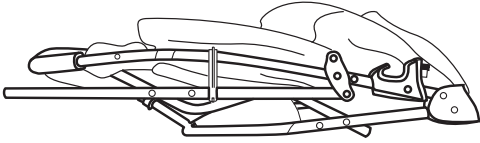
Due to the presence of small parts during assembly, keep out of reach of children until assembly is complete.

WARNING

1. Do not lift up the stroller when the pet is in.
2. Never use the stroller on uneven place.
3. Never use the stroller near the fire or other dangerous area.
4. Must use brakes when you stop moving you stroller.
5. Do not put two or more than two pets in one stroller.
6. Do not store or use this stroller in areas exposed to high or low temperature or humidity for a long time.
7. Maximum pet weight for this strollers is 15kgs (33.06lbs).

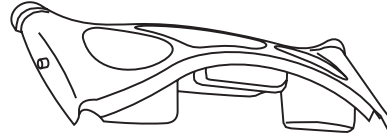
1 Component List

A X1



Pet Stroller

B X1



Teacup Tray

2 Supplied Parts and Hardware

1 X1



Axle

2 X2



The Brakes

3 X4



Gasket

4 X2



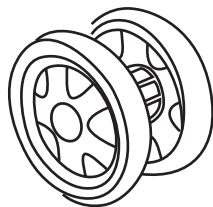
Wheel Cover Needle

5 X2



Rear Wheel

6 X1



Front Wheel

7 X2

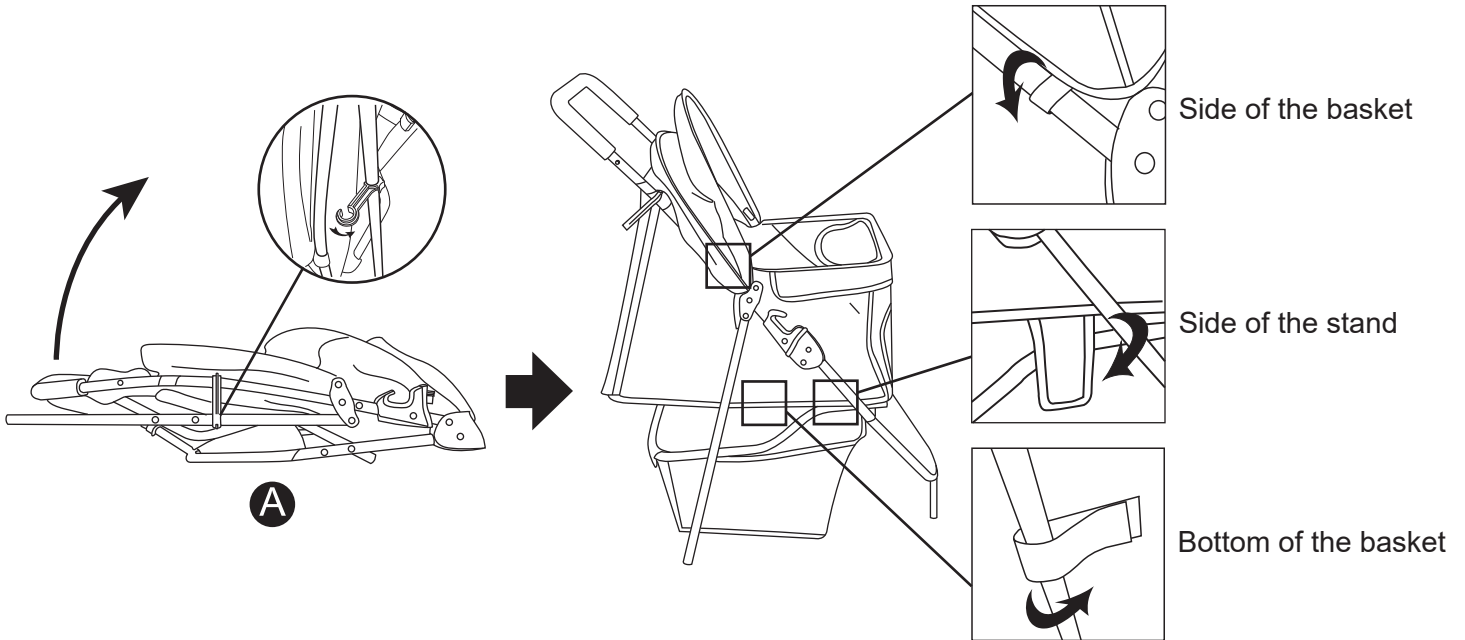


Wheel Cover

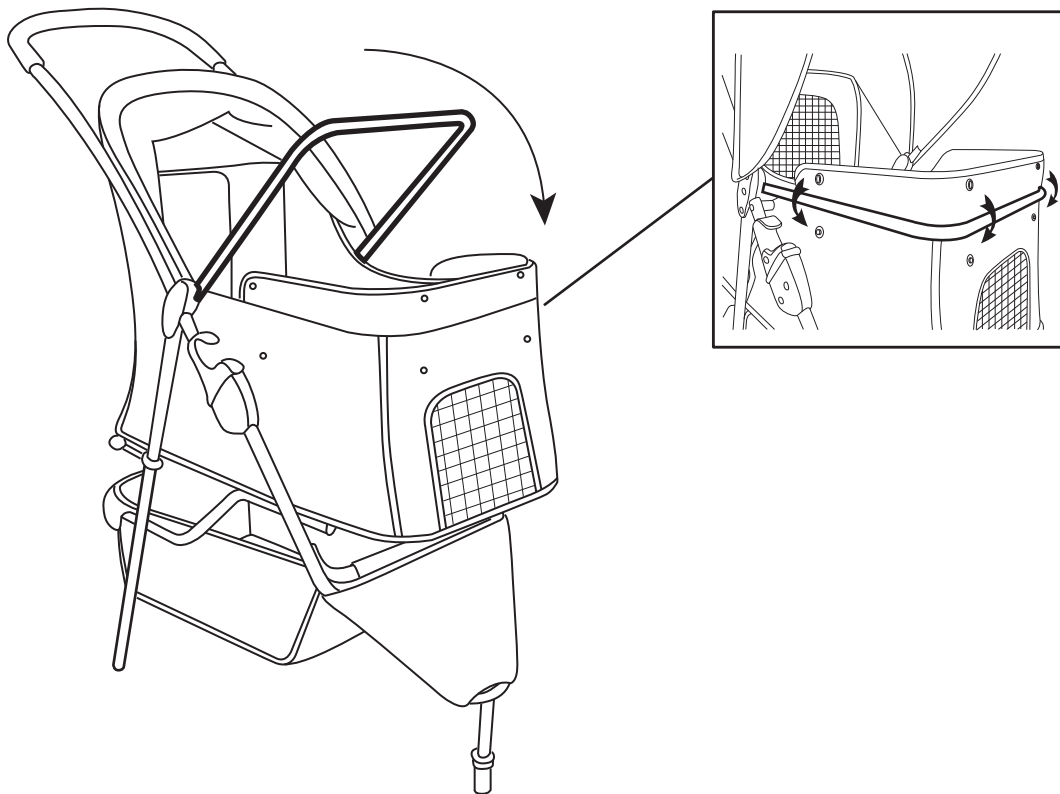
Step 1

Unhook and open the pet stroller.

Make sure the velcro is sticking in the following locations:

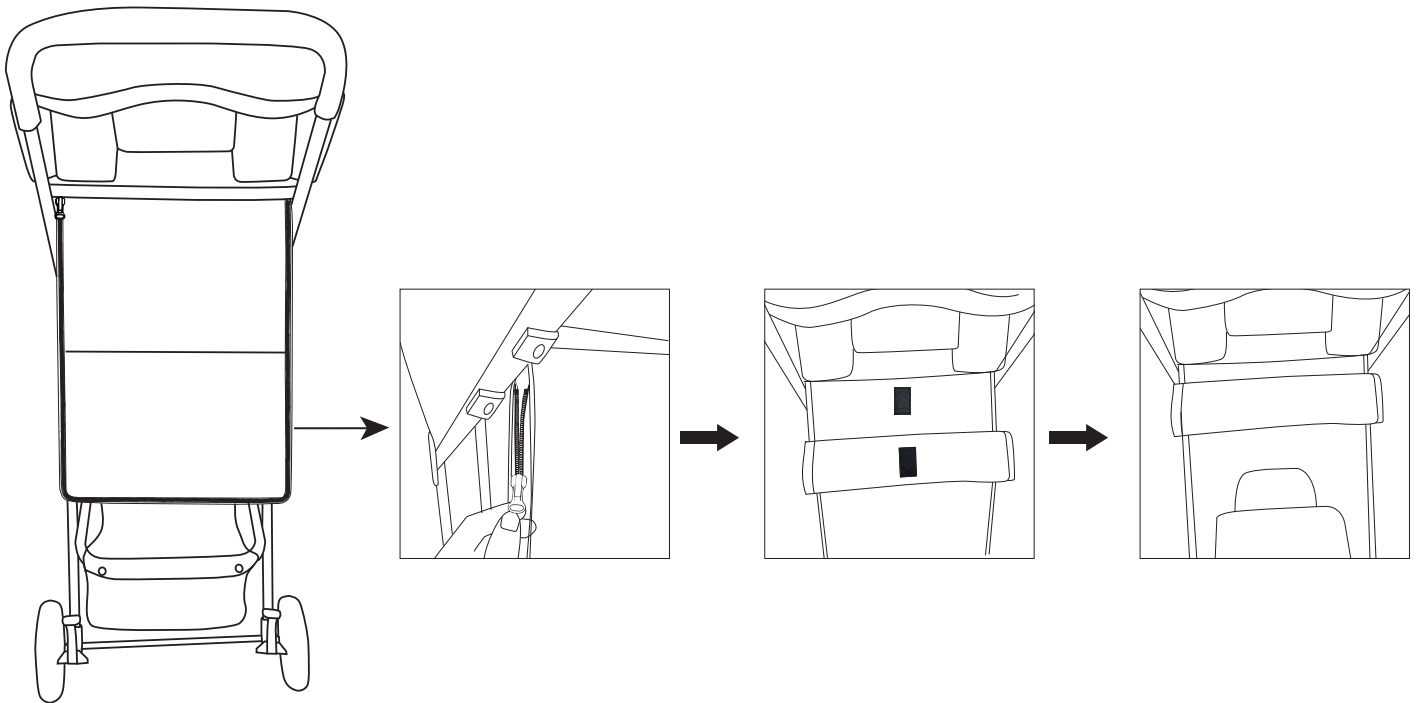
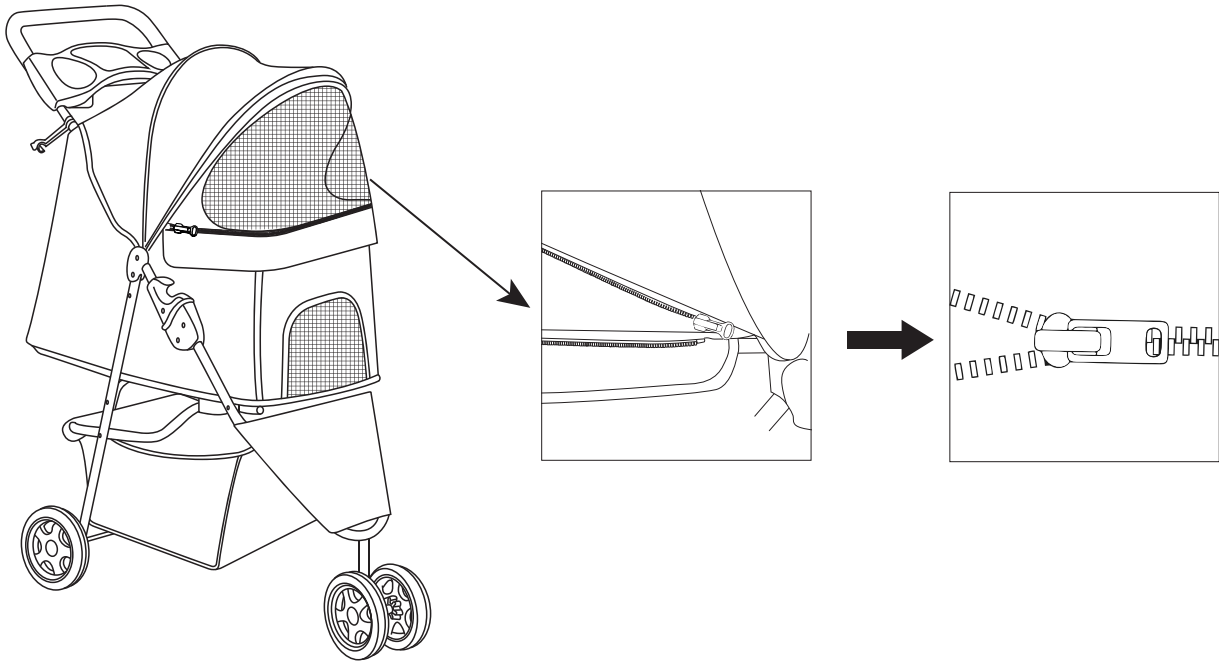


Step 2



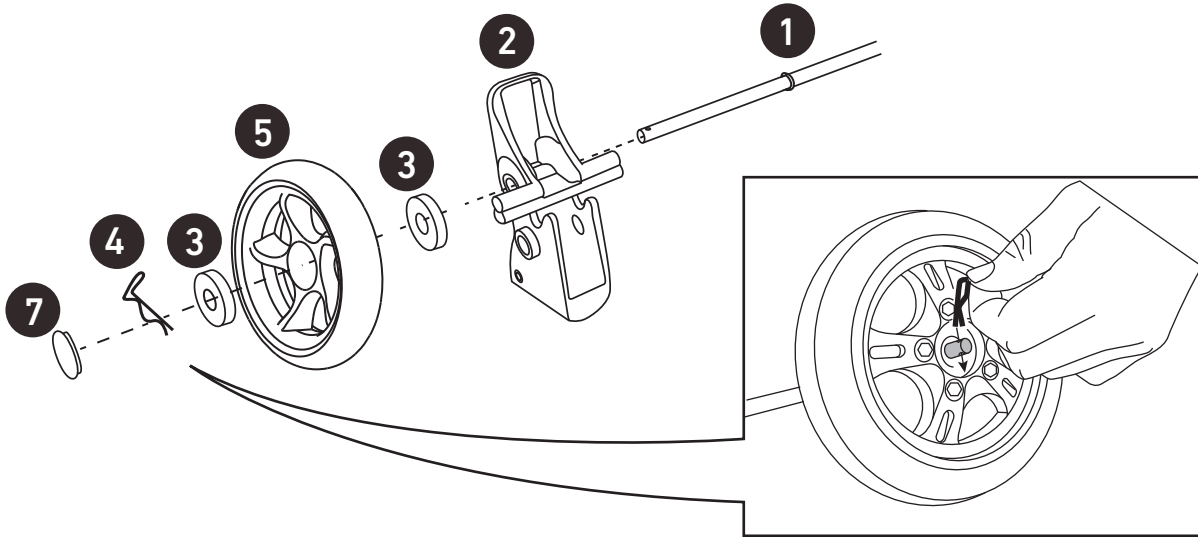
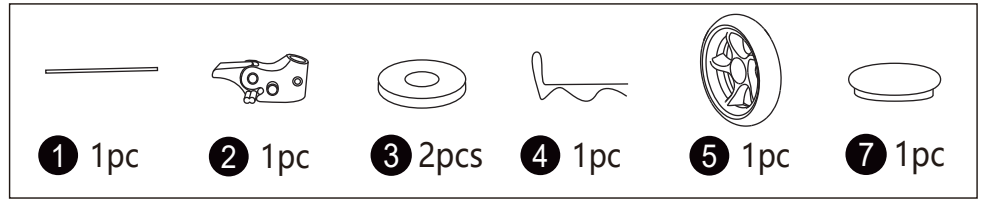
Please fasten the basket to the iron frame.

Step 3



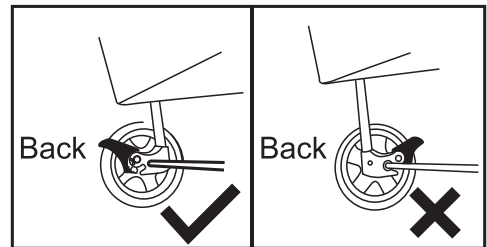
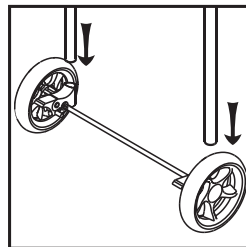
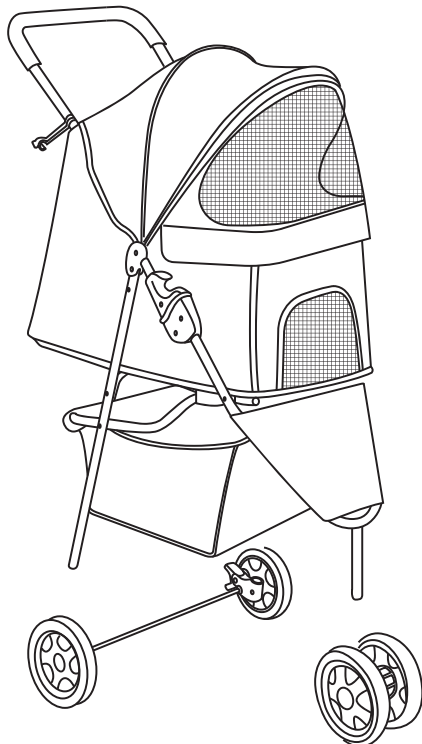
Zip up as needed.

Step 4



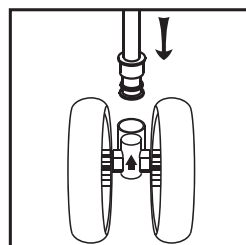
Assemble the rear wheels in the order shown in the pictures.

Step 5



Now attach the rear wheels on the rear legs and hear the "click" to secure.

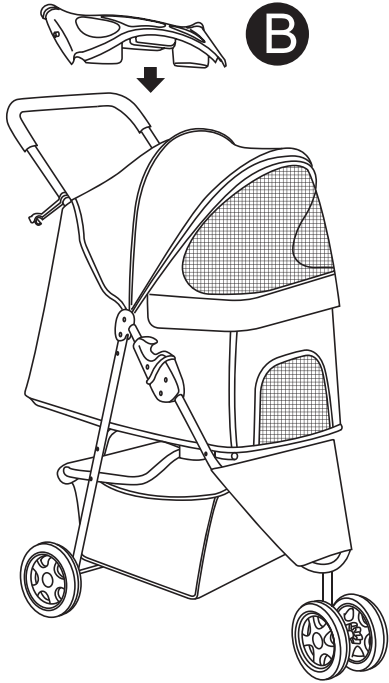
Pay attention to the direction of installation



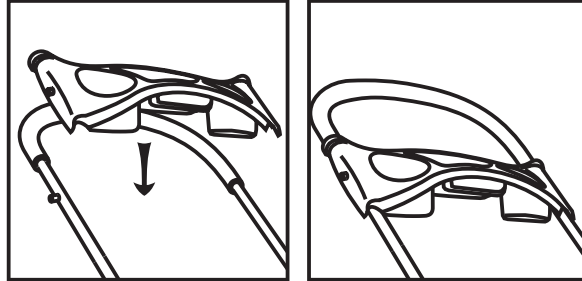
To install the front wheel, insert wheel onto the leg until a "click" is heard.

Pay attention to "↑" label and follow instruction.

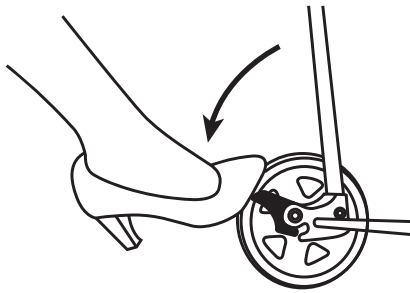
Step 6



Install Cup holder

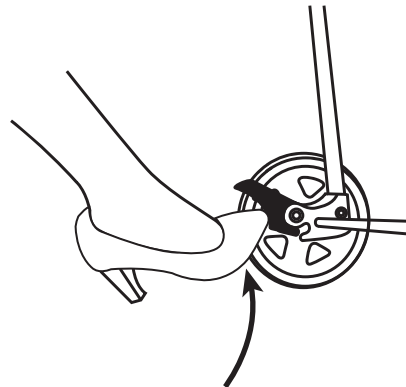


Aim the hole of the cup holder to the plastic nuts on both sides of handle tube and install it.

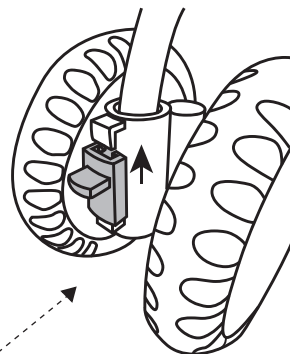


For your pet's safety, always apply the brakes when the pet stroller is stationary.

Lock the rear wheels by simply pushing down the brake levers on either side.



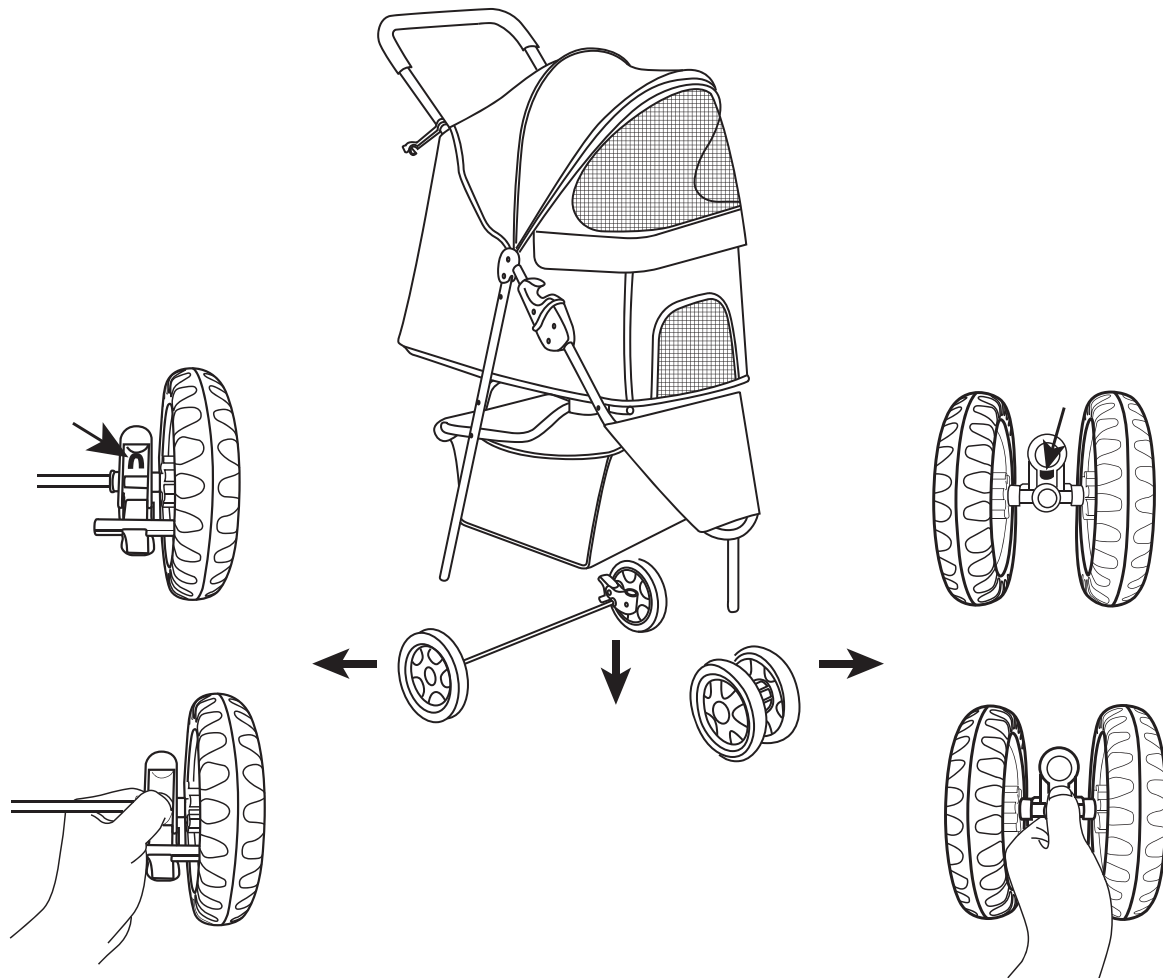
Gently pull upward to unlock the brake.



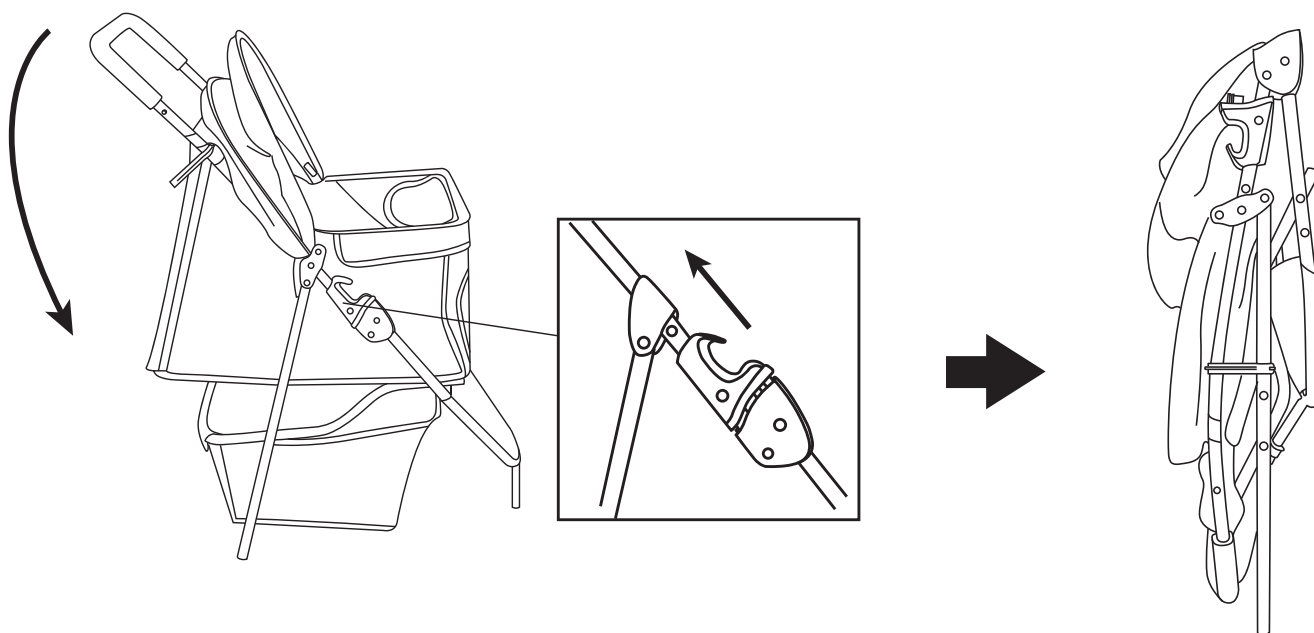
To lock the front wheel, slide the buckle up.

Step 1

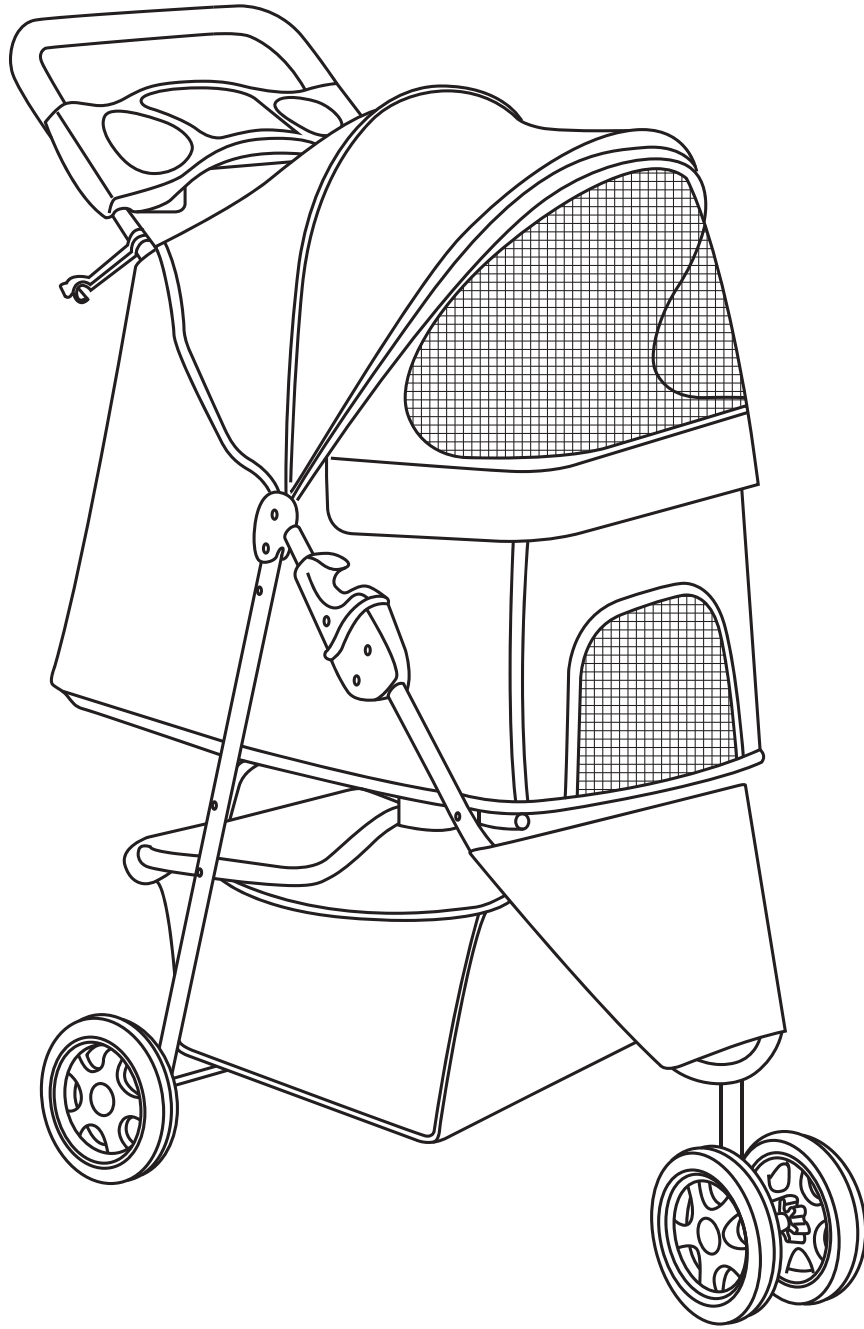
How to disassemble the pet stroller



Step 2



Unlock the pet stroller by gently pulling the latch upwards and fold the pet stroller.



Technical Support

(909)637-7665 | (909)637-7593

Other Info

HJ-Customer-Service@outlook.com

Thank you for choosing this product. We strive to provide you with the best quality products and services in the industry. Should you have any issues, please don't hesitate to contact us.