

Assembly Instruction

A. Components :

- 1. Headboard 1 x
- 2. Metal 1 x



a



b



c



d



e

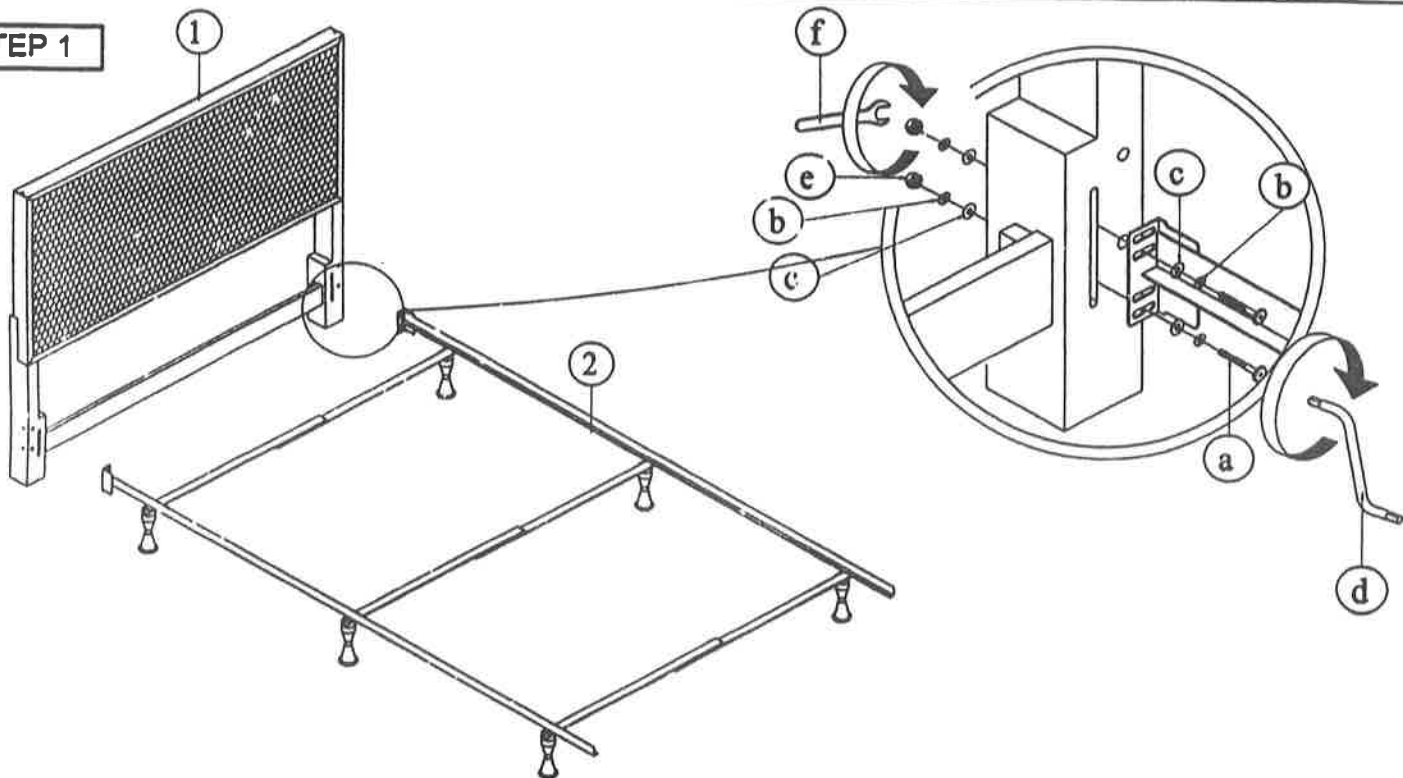


f

B. Hardware :

- a. Allen Bolt 4 x
- b. Lock Washer 8 x
- c. Flat Washer 8 x
- d. Allen Key 1 x
- e. Hex Nut 4 x
- f. Wrench 1 x

STEP 1



STEP 2

