
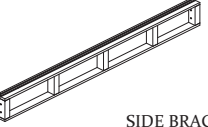
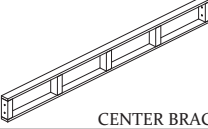
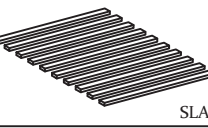
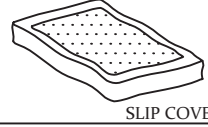





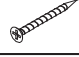
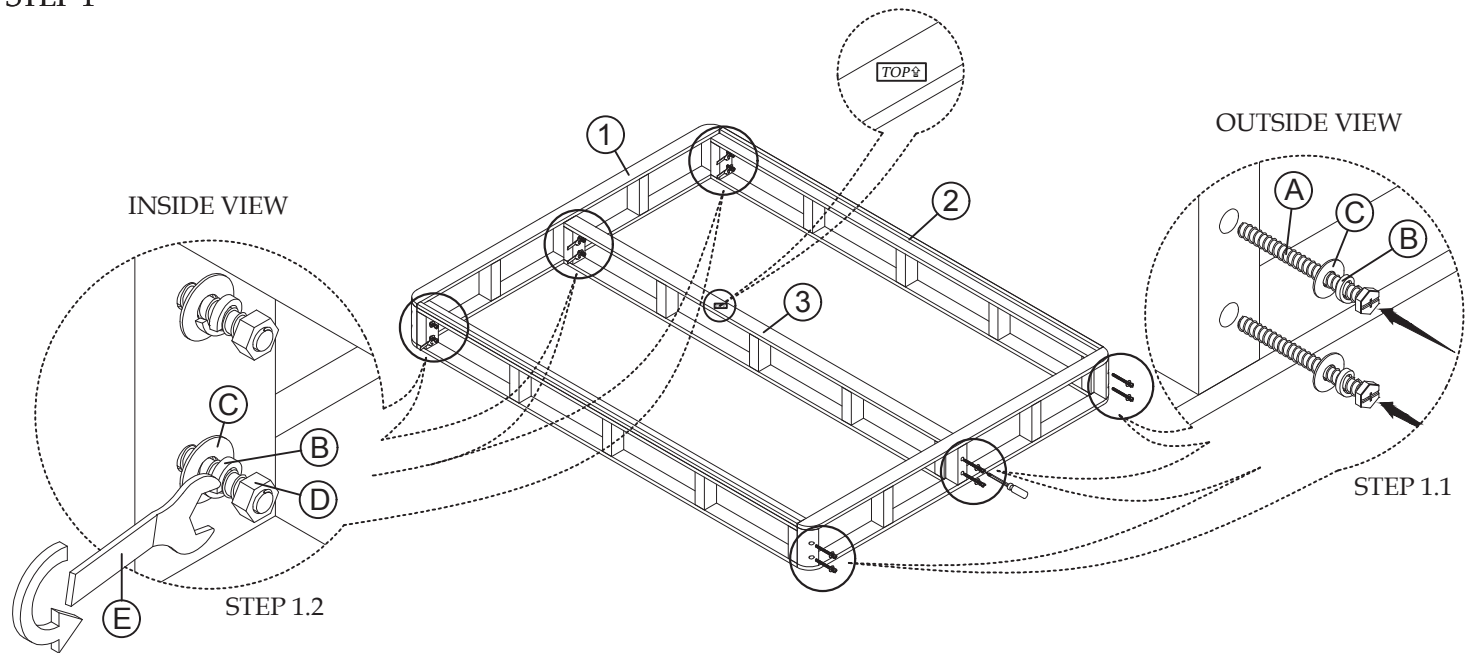


ASSEMBLY INSTRUCTION

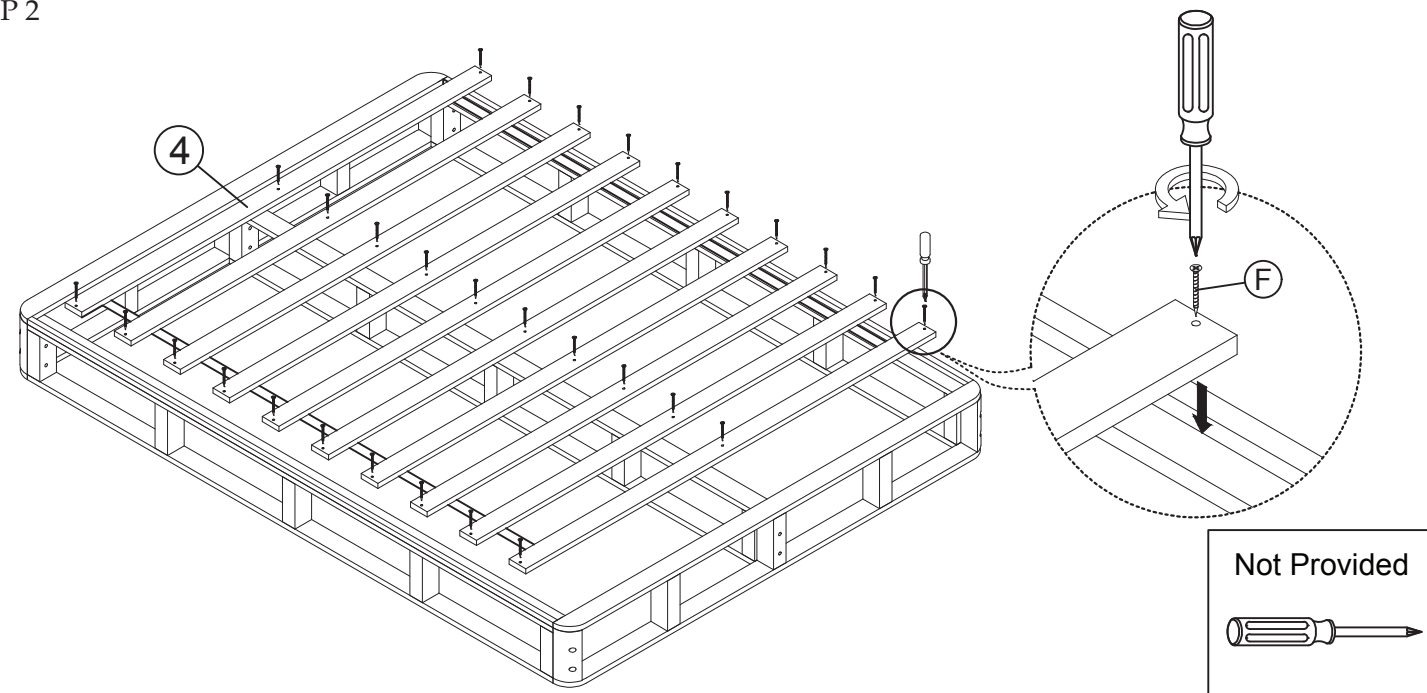
NO	PART LIST	QTY
1	 HEAD/FOOT BRACE	2PCS
2	 SIDE BRACE	2PCS
3	 CENTER BRACE	1PC
4	 SLAT	1SET/ 10PCS
5	 SLIP COVER	1PC
ITEM	HARDWARE	QTY
A	 BOLTS M8 X 90MM	12PCS
B	 SPRING WASHER M8 X 14MM	24PCS
C	 FLAT WASHER M8 X 22MM	24PCS
D	 HEX NUTS M8 X 5MM	12PCS
E	 WRENCH 12.8(2MM)	1PC
F	 CSK SCREW M4 X 25MM	30PCS

STEP 1



Note : Step 1.1 hold on screwdriver and continue the step 1.2.

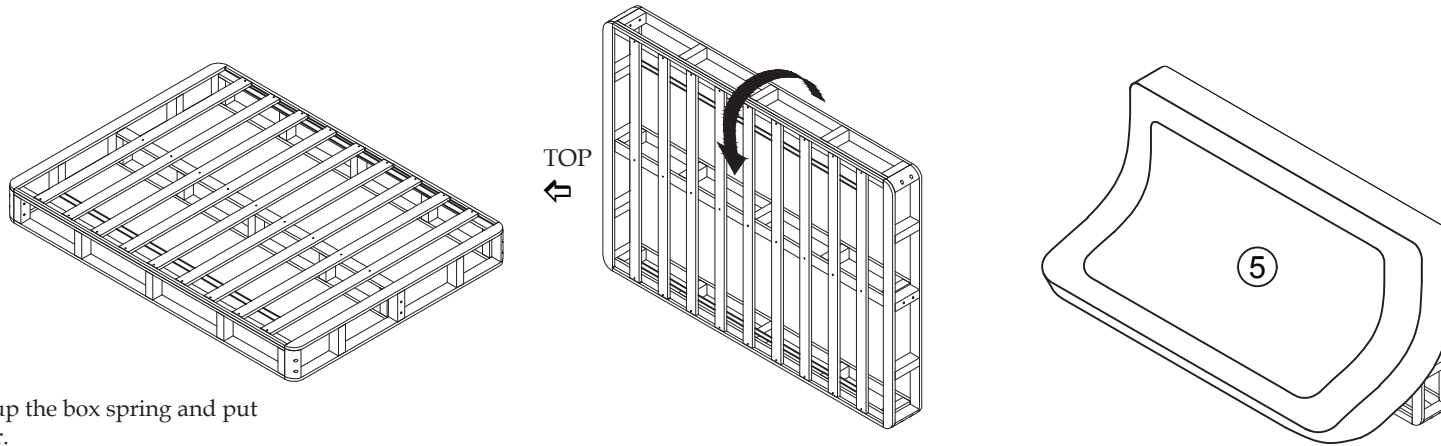
STEP 2



Please do not tighten the hardware until the entire assembly is completed

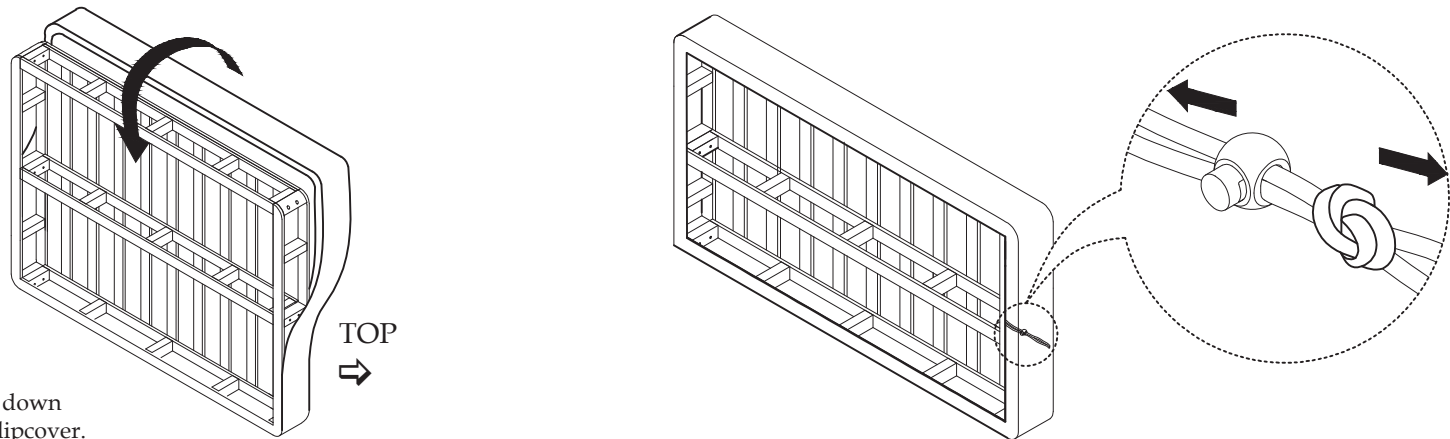
ASSEMBLY INSTRUCTION

STEP 3



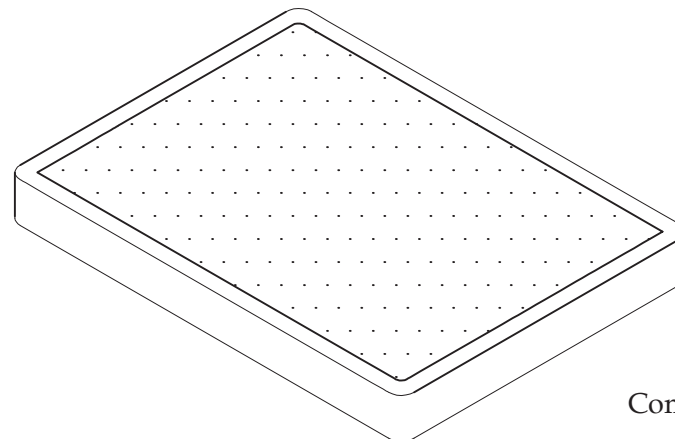
Remark : Lift up the box spring and put it on slip cover.

STEP 4



Remark : Turn the box spring upside down and pull the stopper to close up the slipcover.

STEP 5



Completed Sample

Please do not tighten the hardware until the entire assembly is completed