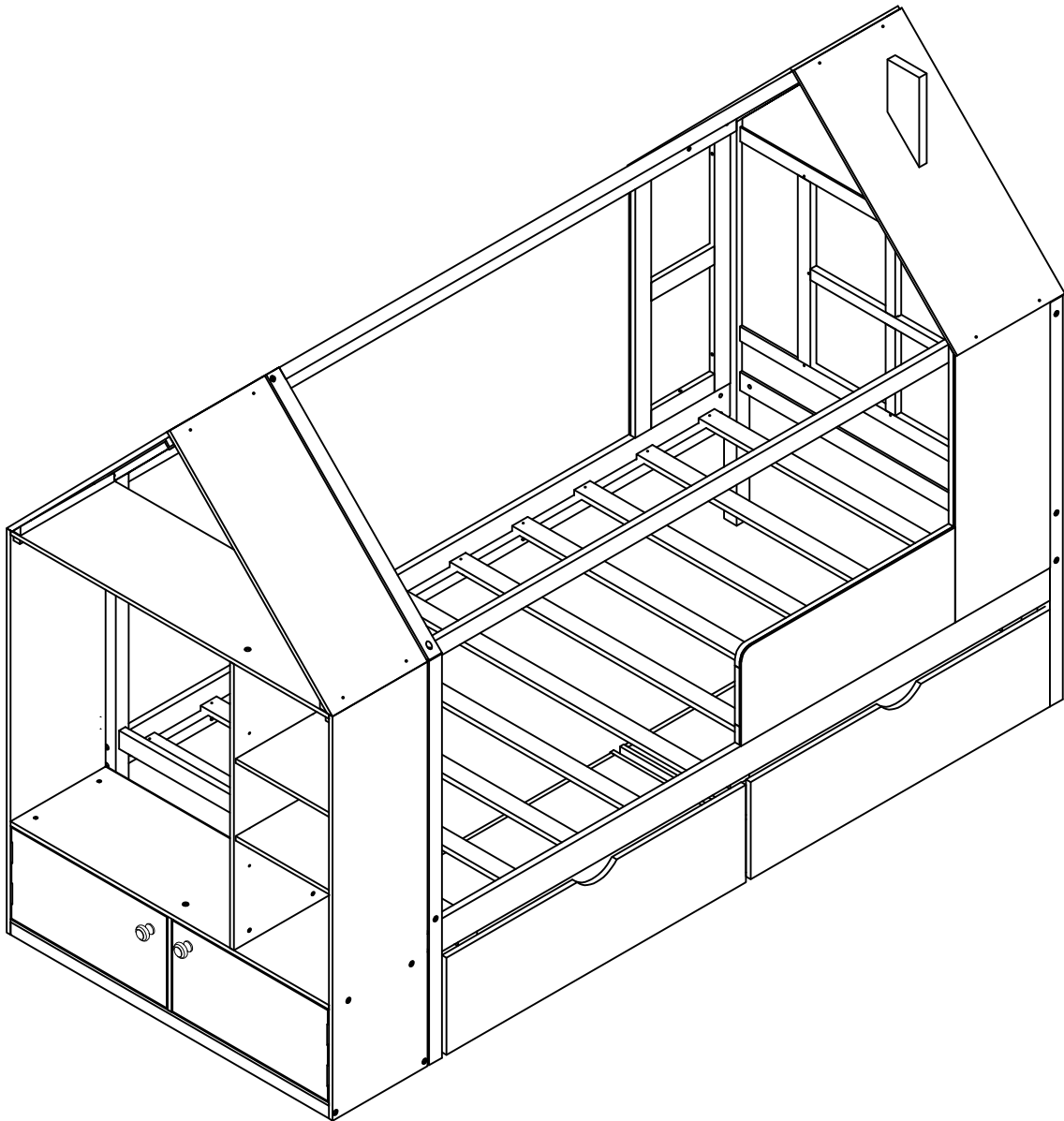
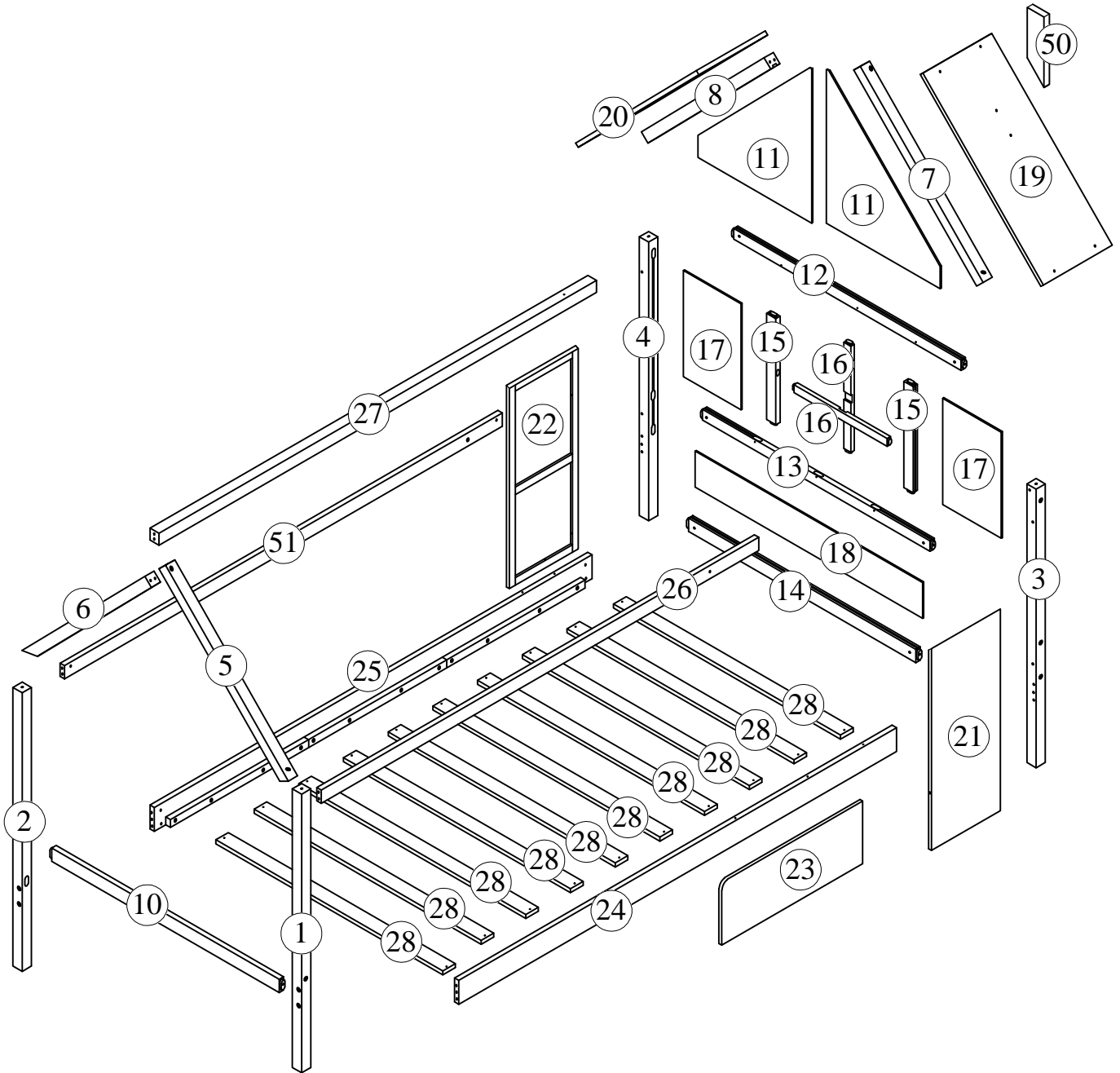


# ASSEMBLY INSTRUCTION

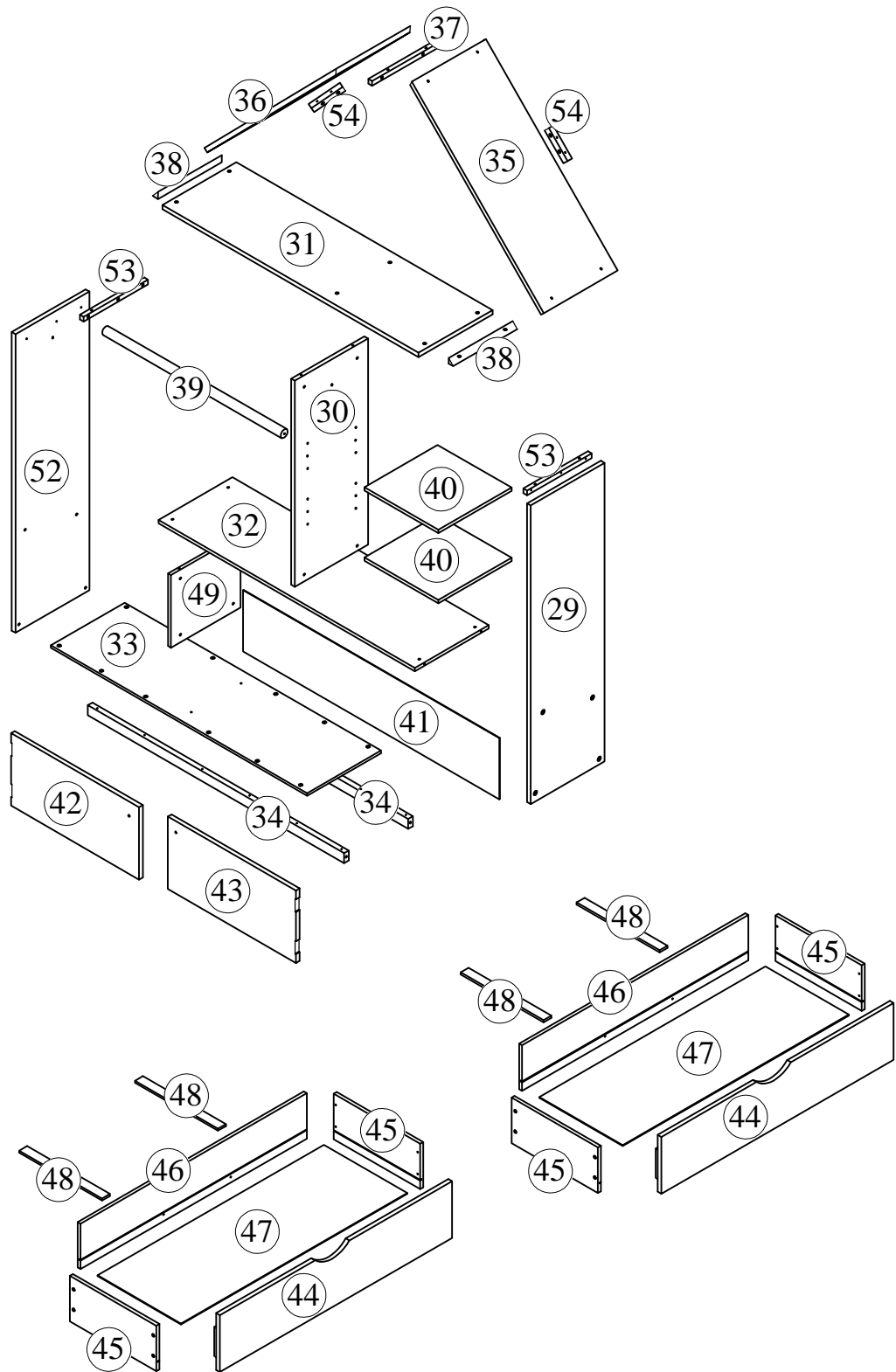
## SKU CODE: BW00489



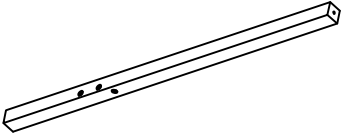
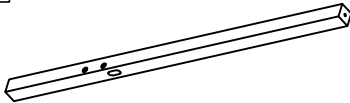
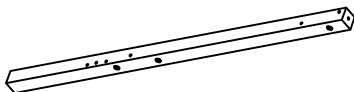
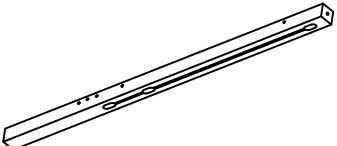
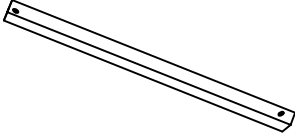
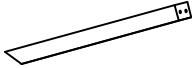
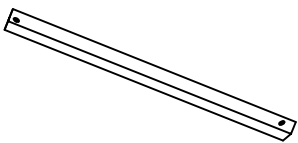
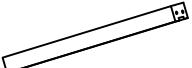

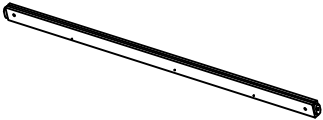
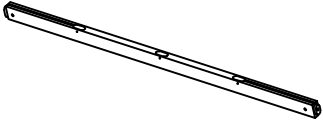
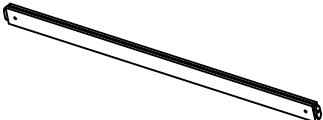
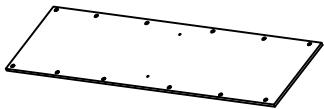
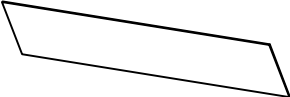
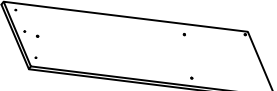
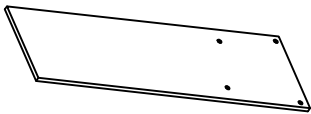

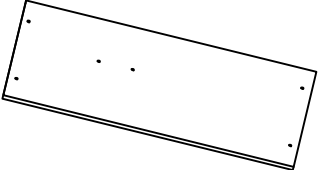
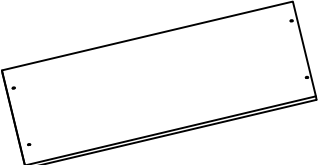
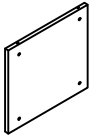

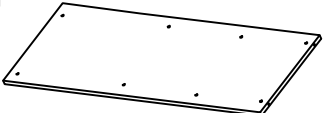

# ASSEMBLY INSTRUCTION



# ASSEMBLY INSTRUCTION

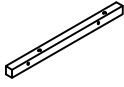


# Part List (Box 1/2)-Hardware in box

<p>1</p>  <p>Left foot first - 1pc</p>	<p>2</p>  <p>Rear left leg - 1pc</p>	<p>3</p>  <p>Right foot first - 1pc</p>
<p>4</p>  <p>Right rear leg - 1pc</p>	<p>5</p>  <p>Front left-sloping roof frame - 1pc</p>	<p>6</p>  <p>Rear left-sloping roof frame - 1pc</p>
<p>7</p>  <p>Right-facing sloping roof frame -1pc</p>	<p>8</p>  <p>Rear right-sloping roof frame -1pc</p>	<p>10</p>  <p>Frame across left hip -1pc</p>
<p>12</p>  <p>Right upper hip frame -1pc</p>	<p>13</p>  <p>Right middle hip frame -1pc</p>	<p>14</p>  <p>Right lower hip frame -1pc</p>
<p>33</p>  <p>Bottom board -1pc</p>	<p>41</p>  <p>Backboard-1pc</p>	<p>52</p>  <p>Left hip plank - 1pc</p>
<p>29</p>  <p>Right hip plank-1pc</p>	<p>28</p>  <p>Slats - 4pcs</p>	<p>19</p>  <p>Front slanted bangs -1pc</p>
<p>20</p>  <p>Slanted back bangs -1pc</p>	<p>49</p>  <p>Lower partition -1pc</p>	<p>50</p>  <p>Decorative boards -1pc</p>
<p>32</p>  <p>Shelves -1pc</p>	<p>53</p>  <p>Hip bug -2pcs</p>	

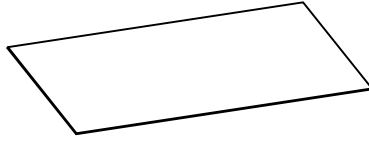
# Part List (Box 1/2)

37



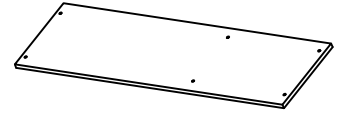
Puffer beetle - 1pc

47



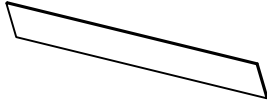
Bottom of the drawer - 2pcs

31



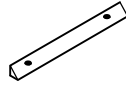
Roof board - 1pc

18



Lower right hip panel- 1pc

38



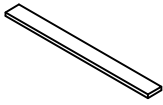
Puffer beetle- 2pcs

54



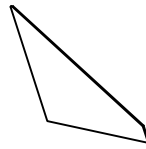
Link bug- 2pcs

48



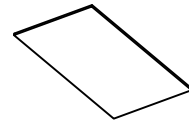
Drawer bottom support -4pcs

11



Upper right hip plank- 2pcs

17



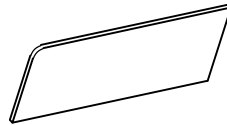
Middle right hip plank -2pcs

16



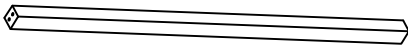

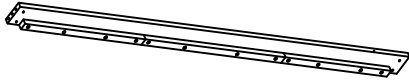




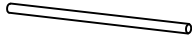

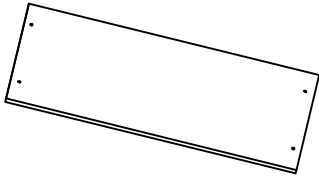
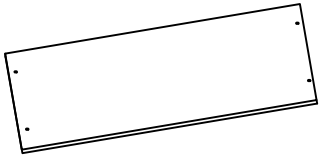
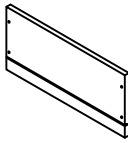
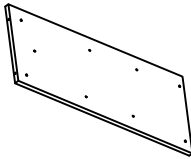
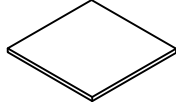

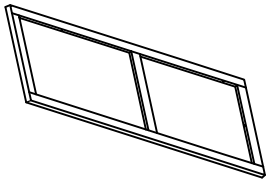
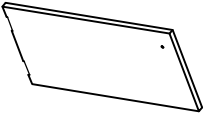
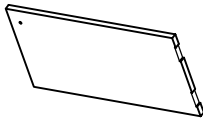


Right frame -2pcs

23










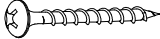
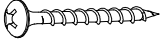
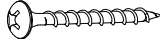
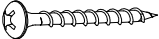
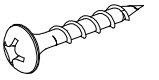
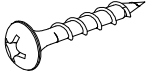
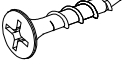
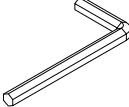
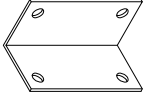


Front railing -1pc

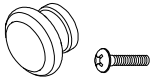
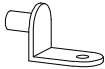
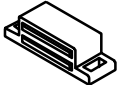
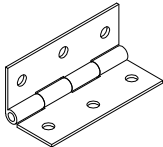

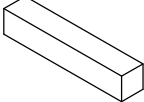
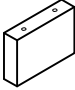

# Part List (Box 2/2)

<p>27</p>  <p>Roof frame - 1pc</p>	<p>24</p>  <p>Front shoulder - 1pc</p>	<p>25</p>  <p>Back shoulder- 1pc</p>
<p>26</p>  <p>Front frame -1pc</p>	<p>51</p>  <p>Rear frame - 1pc</p>	<p>34</p>  <p>Shelf bottom frame - 2pcs</p>
<p>15</p>  <p>Right hip stand - 2pcs</p>	<p>39</p>  <p>Round turning bar - 1pc</p>	<p>28</p>  <p>Slats - 6pcs</p>
<p>35</p>  <p>Front slanted bangs -1pc</p>	<p>36</p>  <p>Slanted back bangs -1pc</p>	<p>45</p>  <p>Side drawer - 4pcs</p>
<p>30</p>  <p>Upper partition -1pc</p>	<p>40</p>  <p>Mobile shelves -2pcs</p>	<p>21</p>  <p>Front frame -1pc</p>
<p>22</p>  <p>Rear frame -1pc</p>	<p>42</p>  <p>Left door -1pc</p>	<p>43</p>  <p>Right door -1pc</p>
<p>44</p>  <p>Drawer surface -2pcs</p>	<p>46</p>  <p>Rear drawer -2pcs</p>	

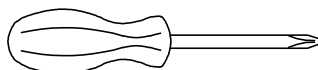
# Hardware List (Box 1/2-BW00489)

<p><b>A</b></p>  <p>Ø8 x 30 mm Wood dowel-13pcs</p>	<p><b>B</b></p>  <p>D13 x Ø1/4" x 80 mm Hex-Head bolts-20pcs</p>	<p><b>C</b></p>  <p>D13 x Ø1/4" x 50 mm Hex-Head bolts-12pcs</p>
<p><b>D</b></p>  <p>Horizontal - Hold bolts Ø1/4"x12 - 32pcs</p>	<p><b>E</b></p>  <p>Hexagonal bolts catch wood D13 x Ø1/4" * 70 - 9pcs</p>	<p><b>F</b></p>  <p>Hexagonal bolts catch wood D13 x Ø1/4" * 60 - 2pcs</p>
<p><b>G</b></p>  <p>Hexagonal bolts catch wood D13 x Ø1/4" * 40 - 2pcs</p>	<p><b>H</b></p>  <p>Hexagonal bolts catch wood D13 x Ø1/4" * 30 - 4pcs</p>	<p><b>I</b></p>  <p>Hexagonal bolts catch wood D13 x Ø1/4" * 25 - 10pcs</p>
<p><b>J</b></p>  <p>M4 x 35 mm Wood Screws-26pcs</p>	<p><b>AM</b></p>  <p>M4 x 30 mm Wood Screws-6pcs</p>	<p><b>L</b></p>  <p>M4 x 25 mm Wood Screws-38pcs</p>
<p><b>K</b></p>  <p>M4 x 20 mm Wood Screws-26pcs</p>	<p><b>M</b></p>  <p>M3.5 x 15 mm Wood Screws 26pcs</p>	<p><b>N</b></p>  <p>M3.5 x 12 mm Wood Screws 56pcs</p>
<p><b>O</b></p>  <p>M3 x 12 mm Wood Screws-32pcs</p>	<p><b>P</b></p>  <p>Allen Key 2pcs</p>	<p><b>Q</b></p>  <p>Angle Metal-4pcs</p>



# Hardware List (Box 1/2-BW00489)

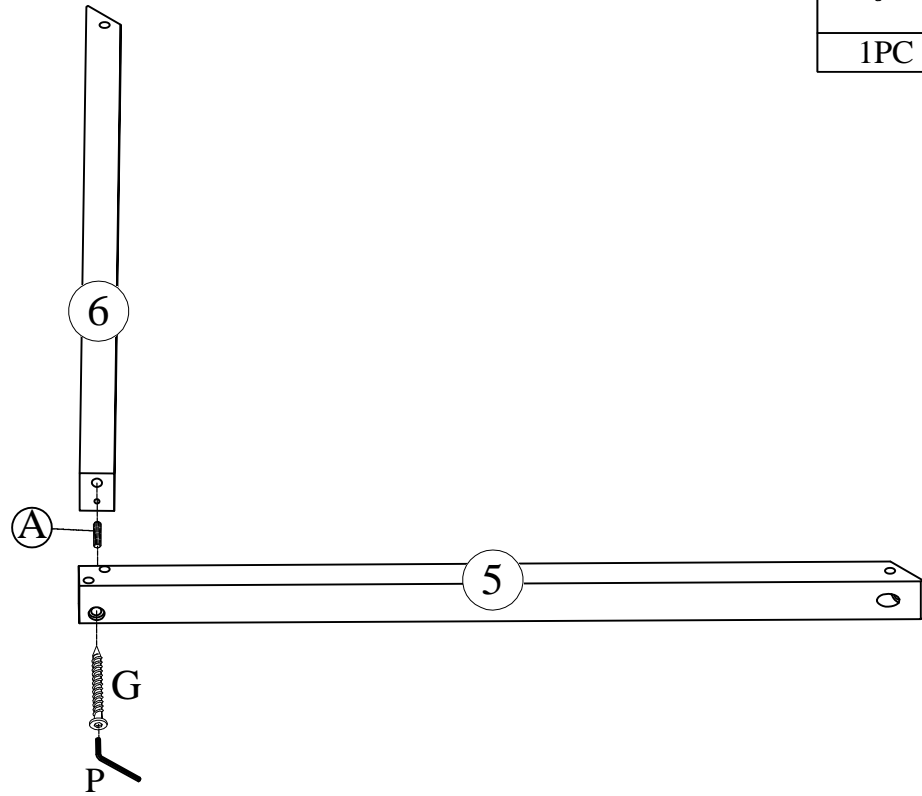
<p><b>S</b></p>  <p>Wood Handle - 2pcs (Ø4x20-2pcs)</p>	<p><b>W</b></p>  <p>Adjustable shelf pin - 8pcs</p>	<p><b>X</b></p>  <p>Magnet Door Catcher 2pcs</p>
<p><b>Y</b></p>  <p>Hings 4pcs</p>	<p><b>Z</b></p>  <p>Wheels 8pcs</p>	<p><b>T</b></p>  <p>146.5x19x19=2pcs Positioning block</p>
<p><b>U</b></p>  <p>60*30*20 mm-3pcs Wood stop</p>	<p><b>R</b></p>  <p>25/1x25/1x12mm Angle Metai-4pcs</p>	

ASSEMBLY TOOLS REQUIRED ( NOT INCLUDED )  
 OUTILS D'ASSEMBLAGE REQUIS (NON INCLUS)





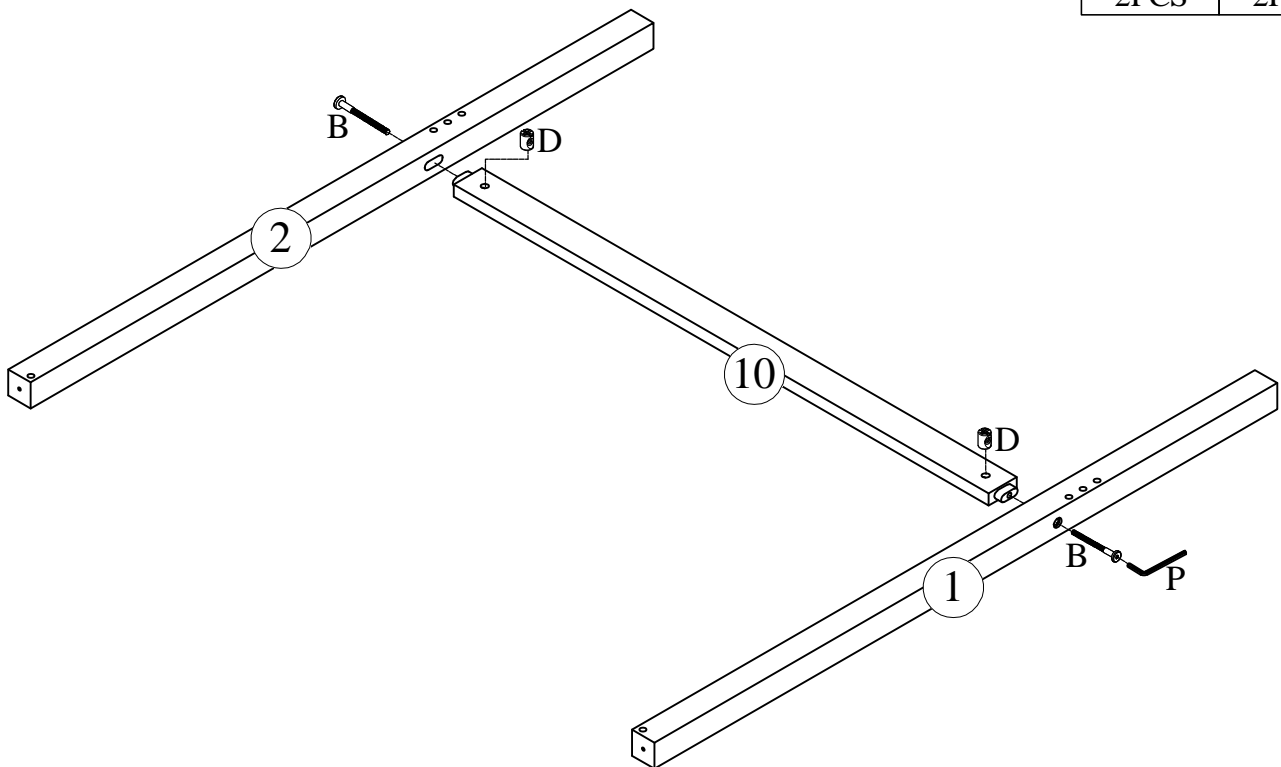
# STEP-1:

A	G
	
1PC	1PC



# STEP-2:

B	D
	
2PCS	2PCS

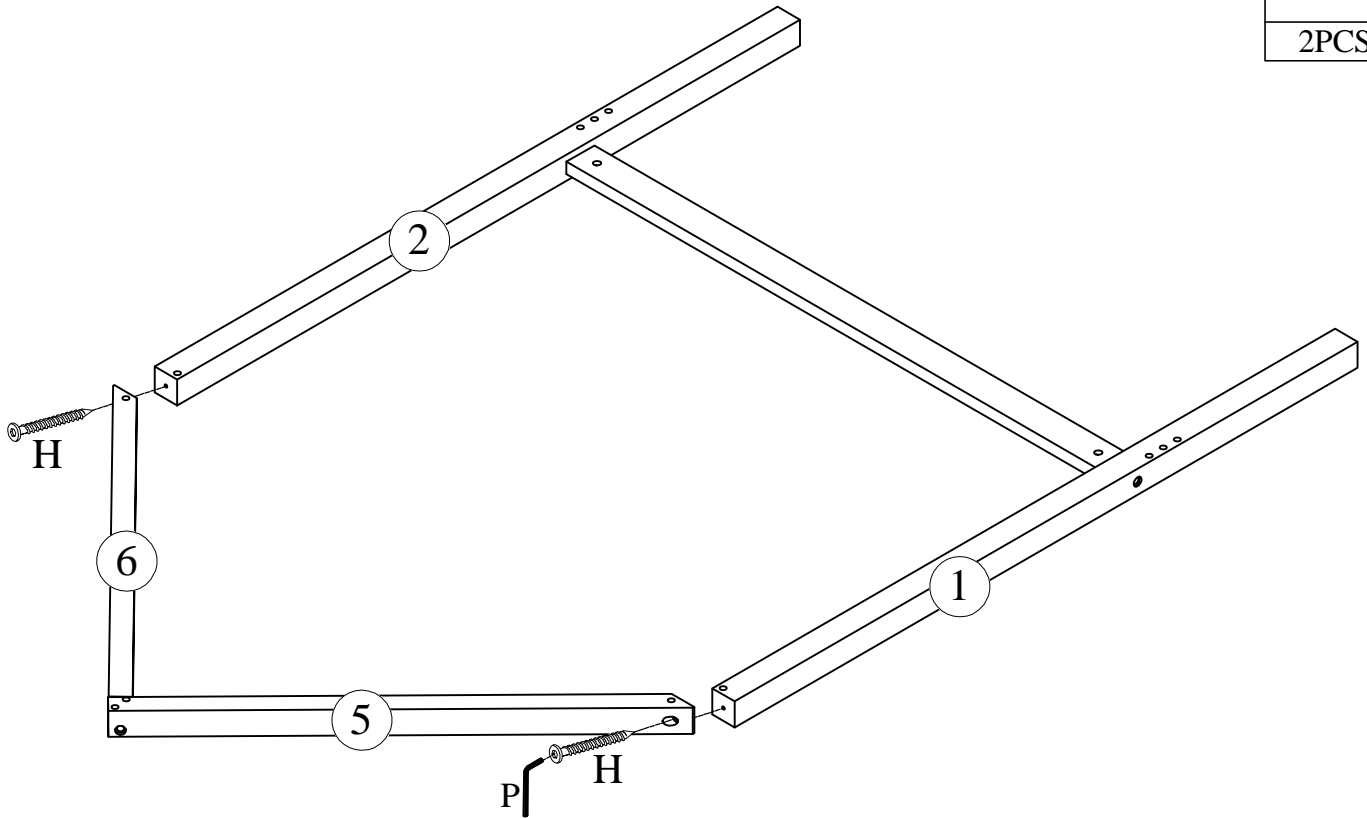


# STEP-3:

H



2PCS



# STEP-4:

A

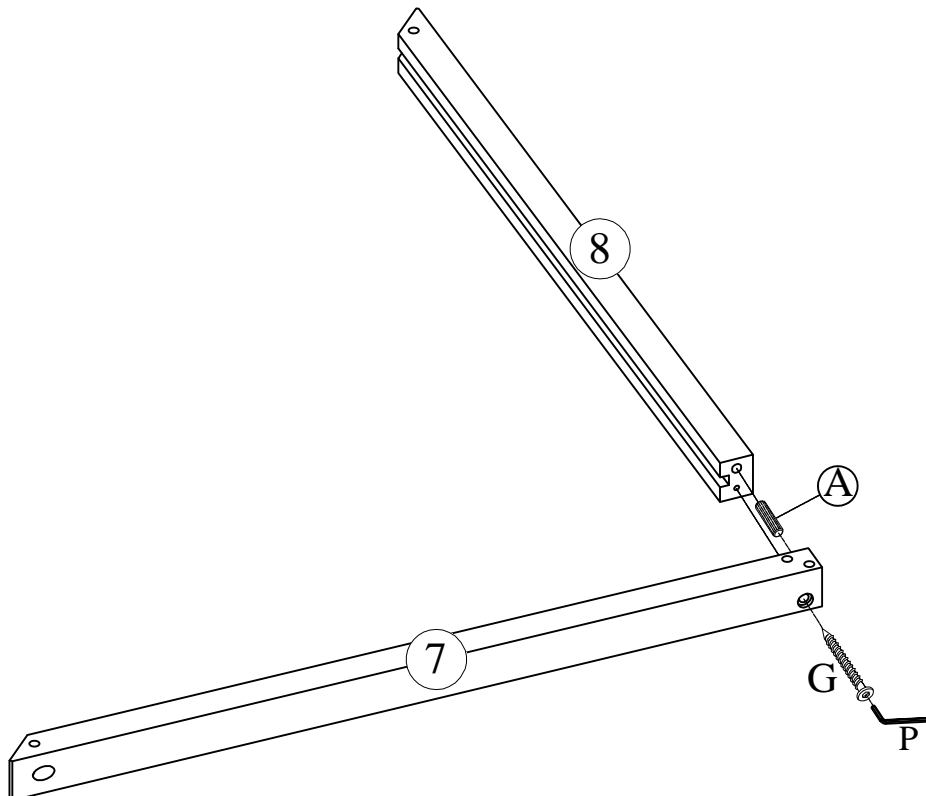


1PC

G



1PC

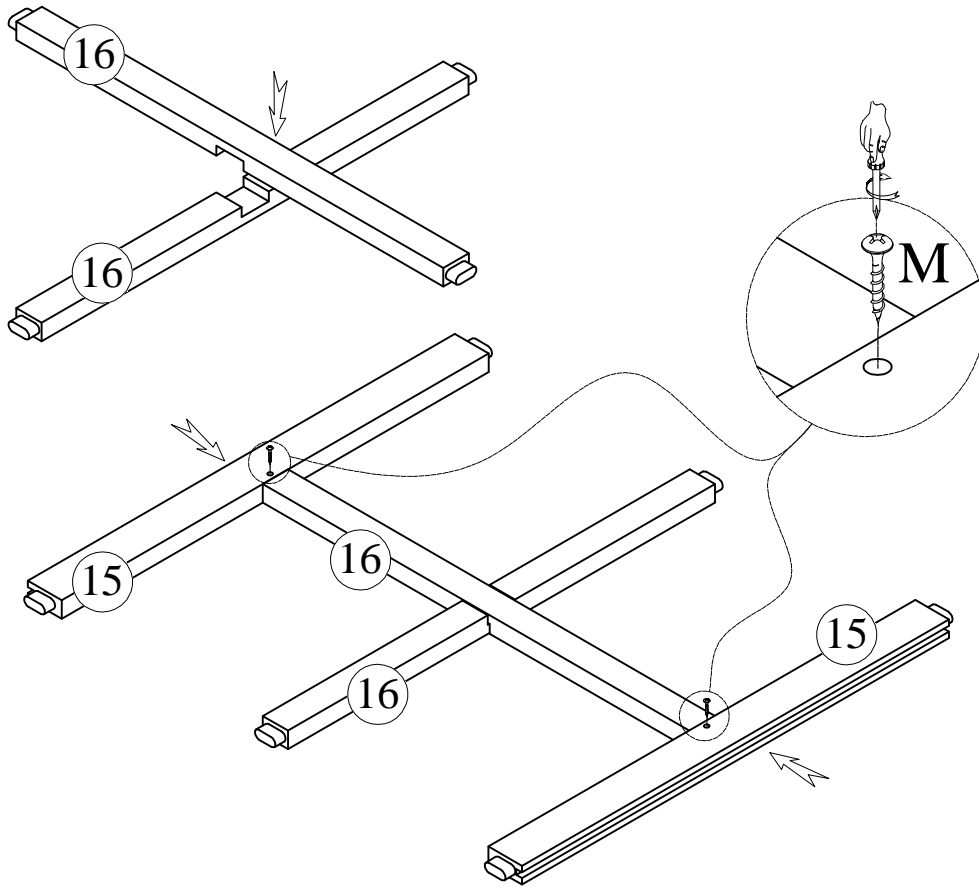


# STEP-5:

M



2PCS

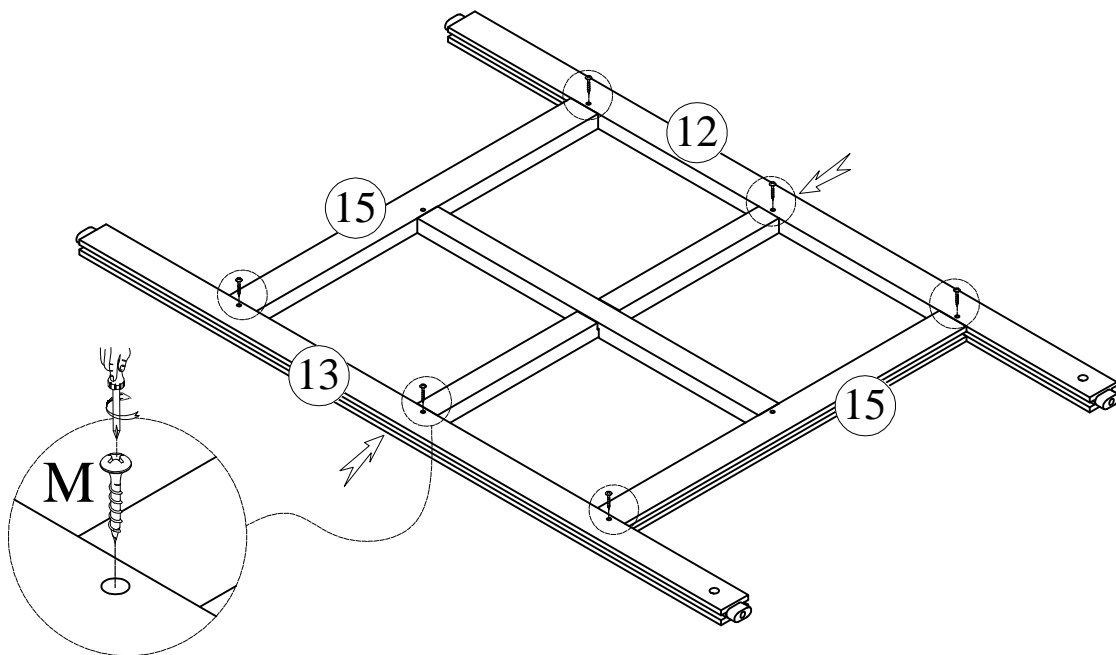


# STEP-6:



M

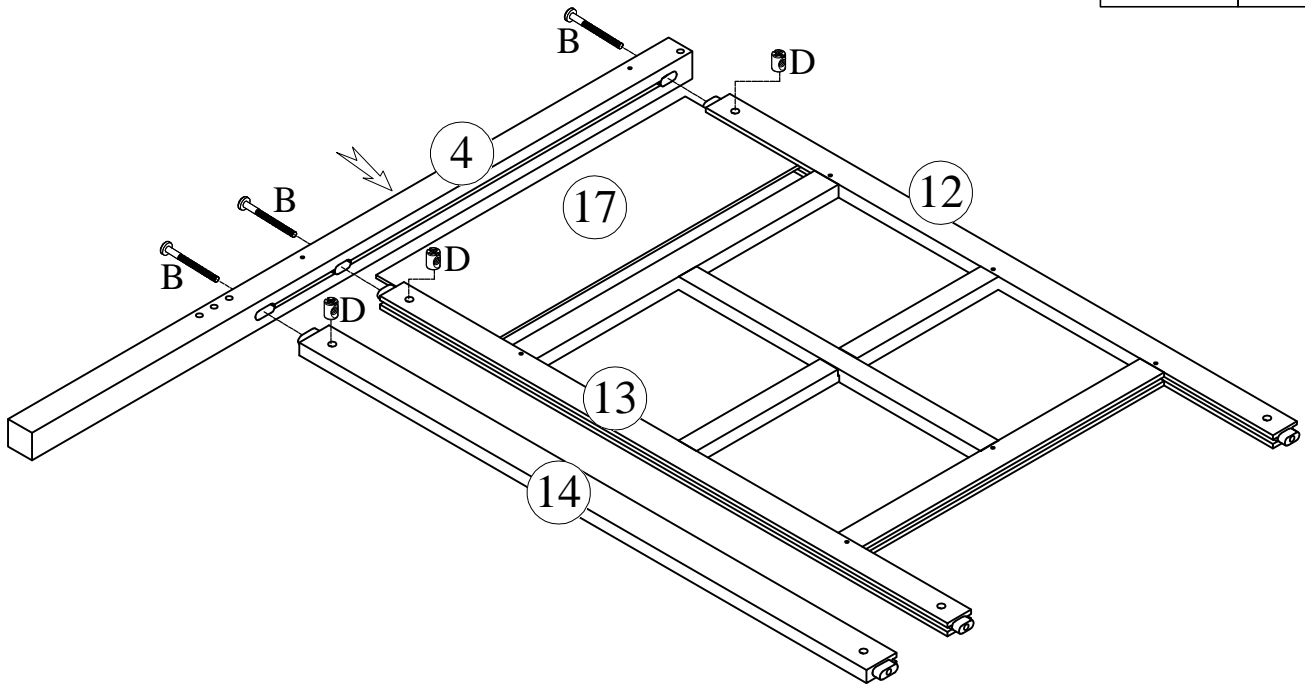


6PCS





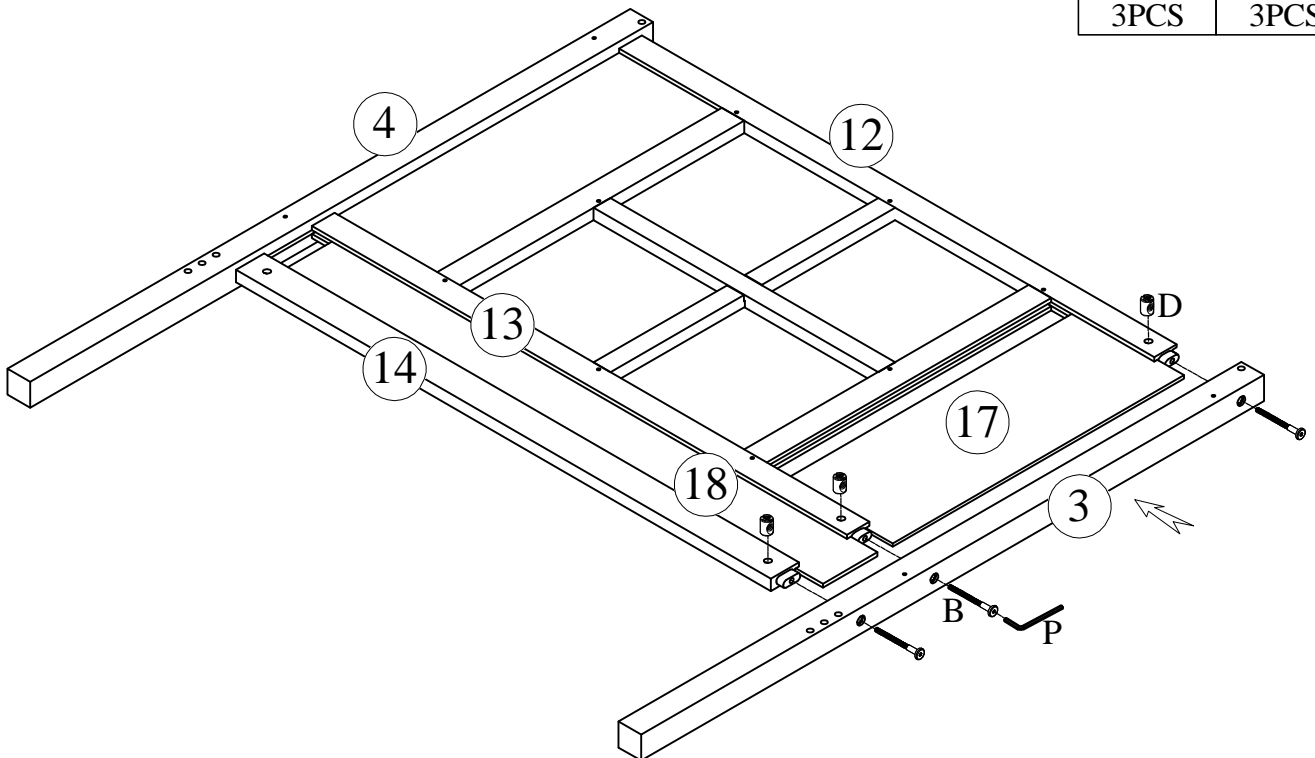
# STEP-7:

<b>B</b> 	<b>D</b> 
3PCS	3PCS



# STEP-8:

<b>B</b> 	<b>D</b> 
3PCS	3PCS

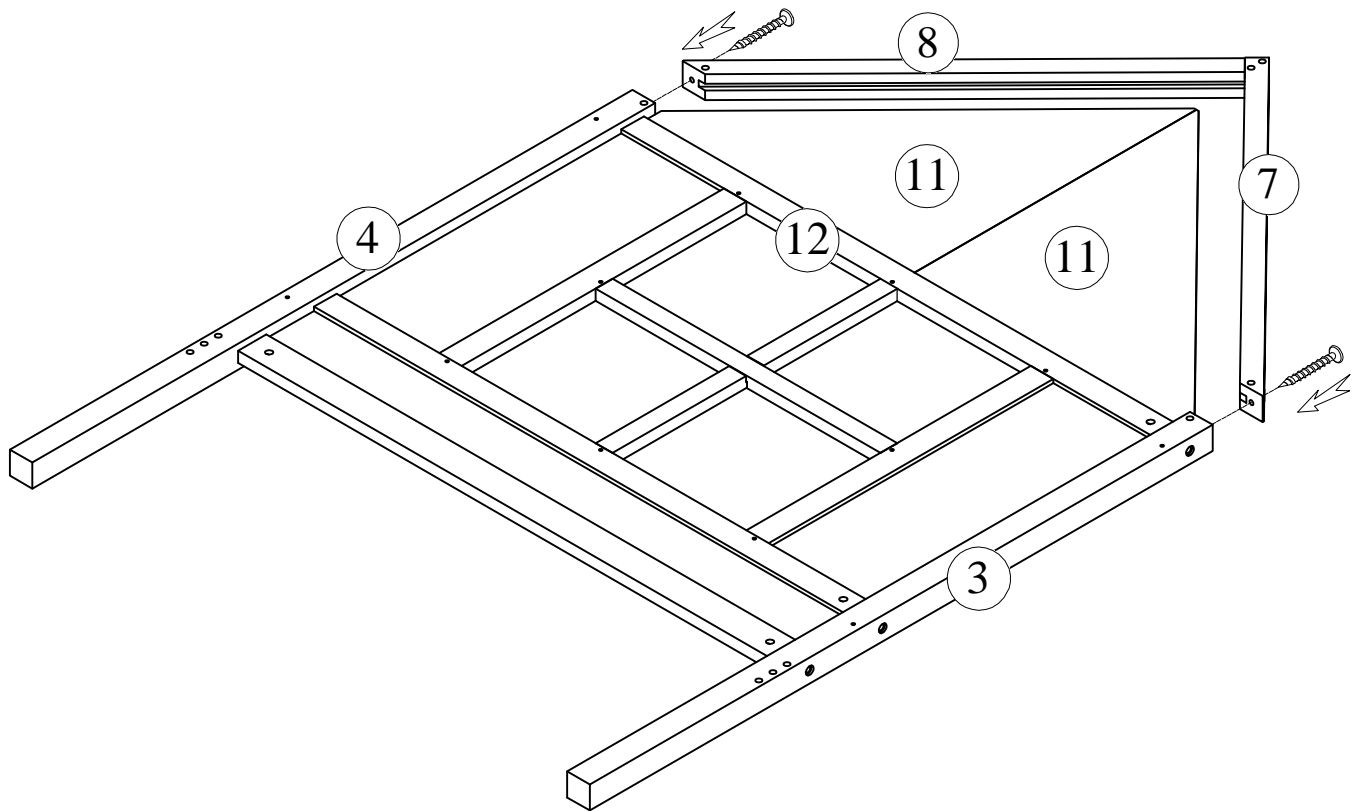


# STEP-9:

H



2PCS



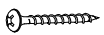
# STEP-10:

U

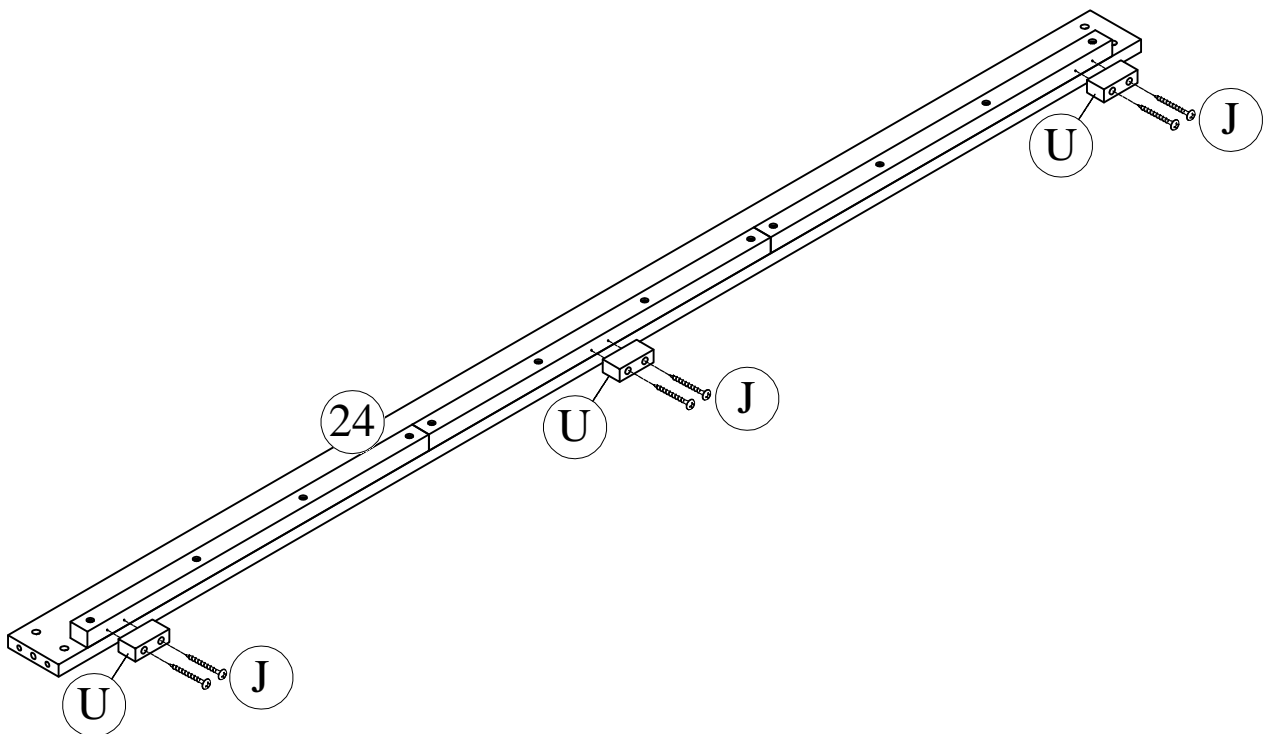


3PCS

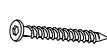



J

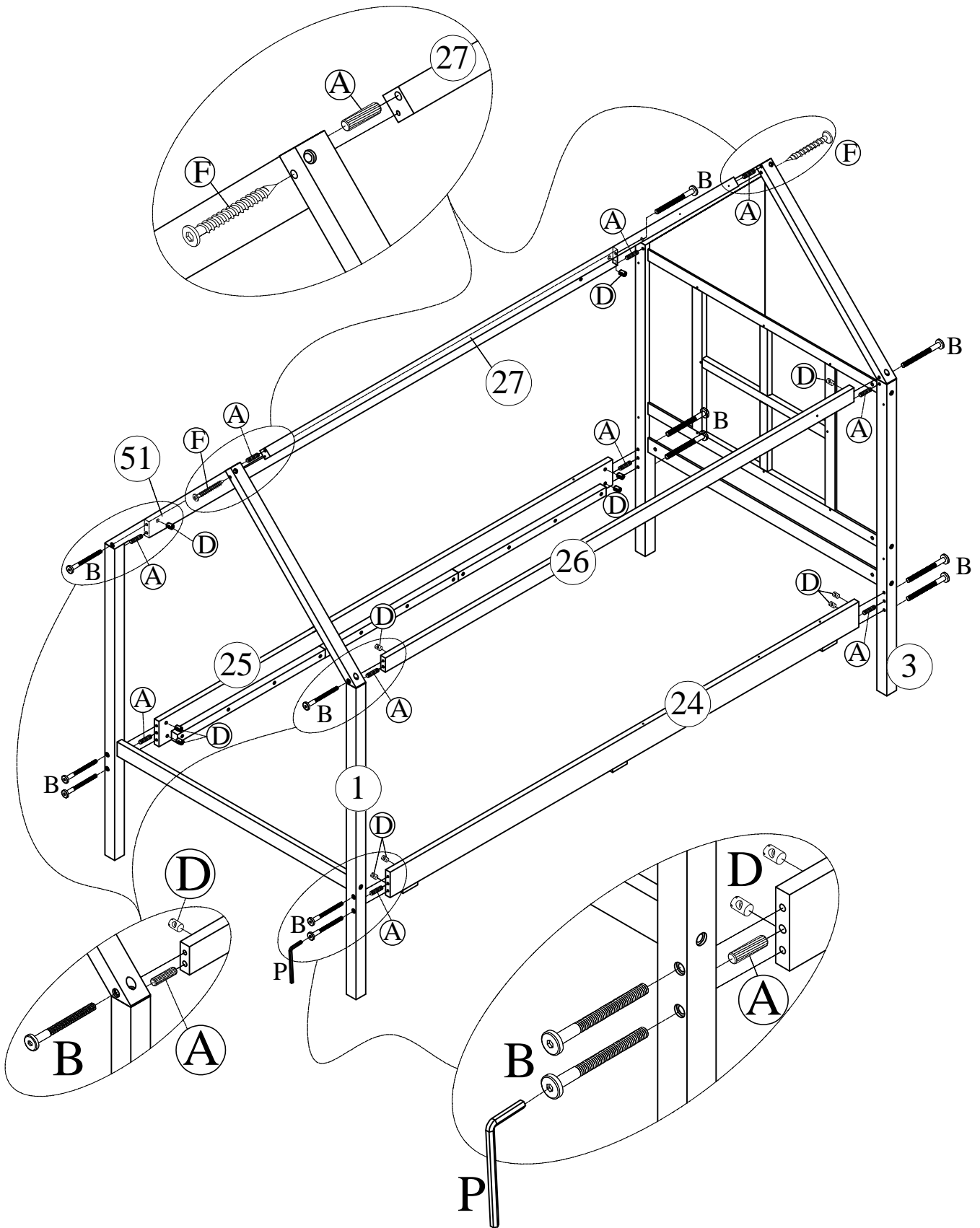


6PCS




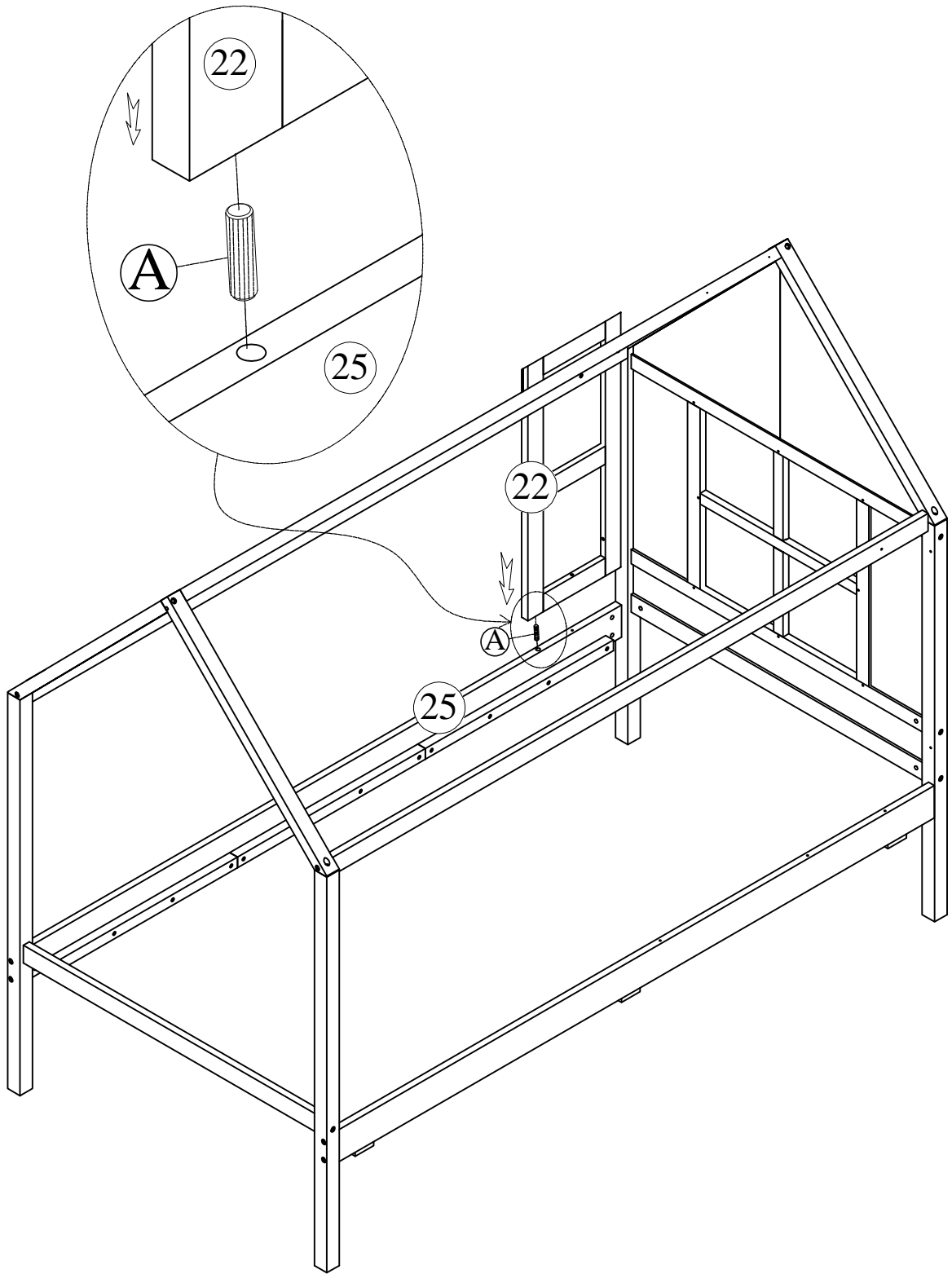
# STEP-11:

<b>F</b> 	<b>A</b> 	<b>B</b> 	<b>D</b> 
2PCS	10PCS	12PCS	12PCS

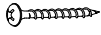



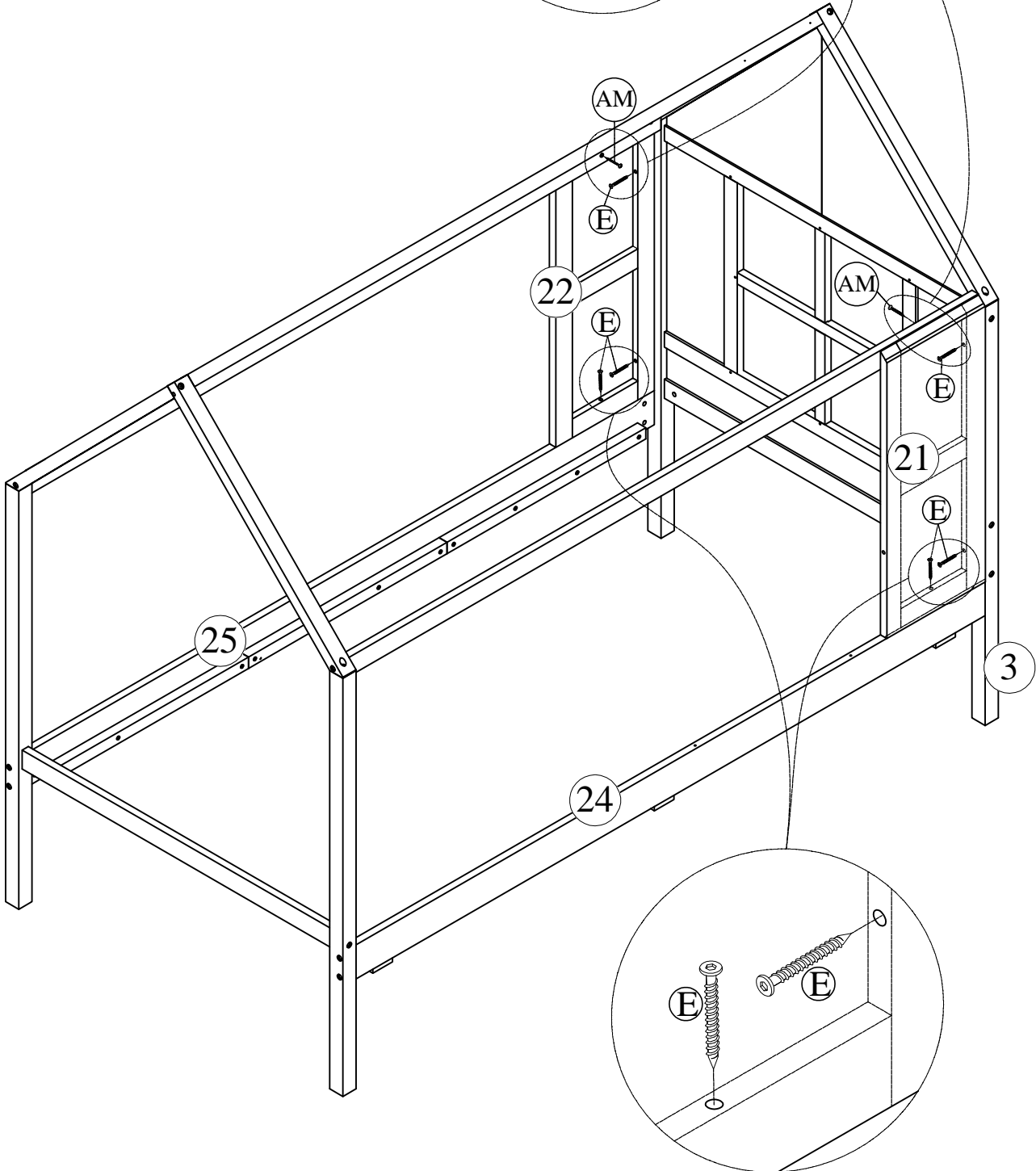
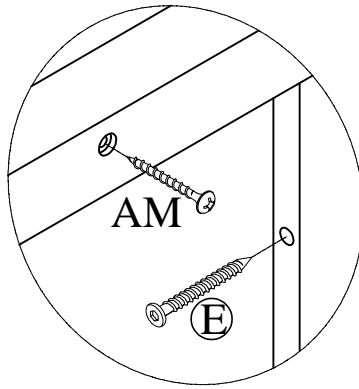
# STEP-12:

A

1PC




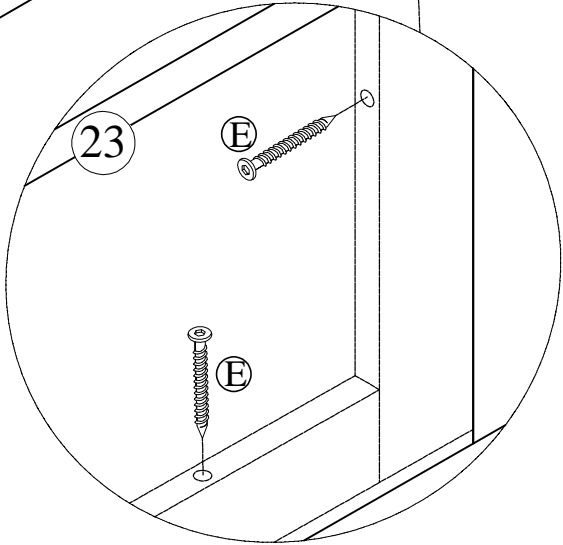
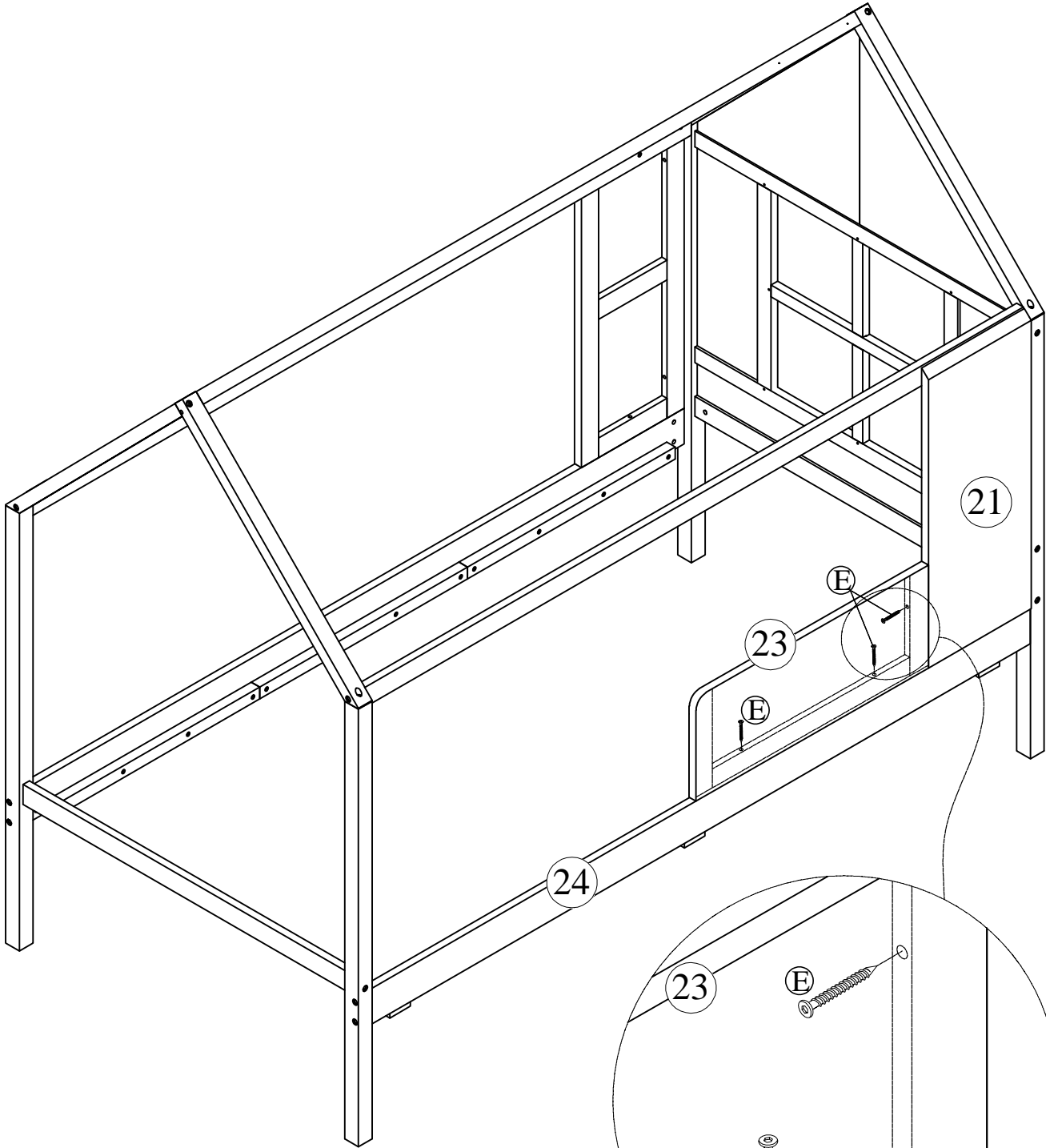
# STEP-13:

AM	E
	
2PCS	6PCS



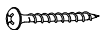
# STEP-14:

E

3PCS

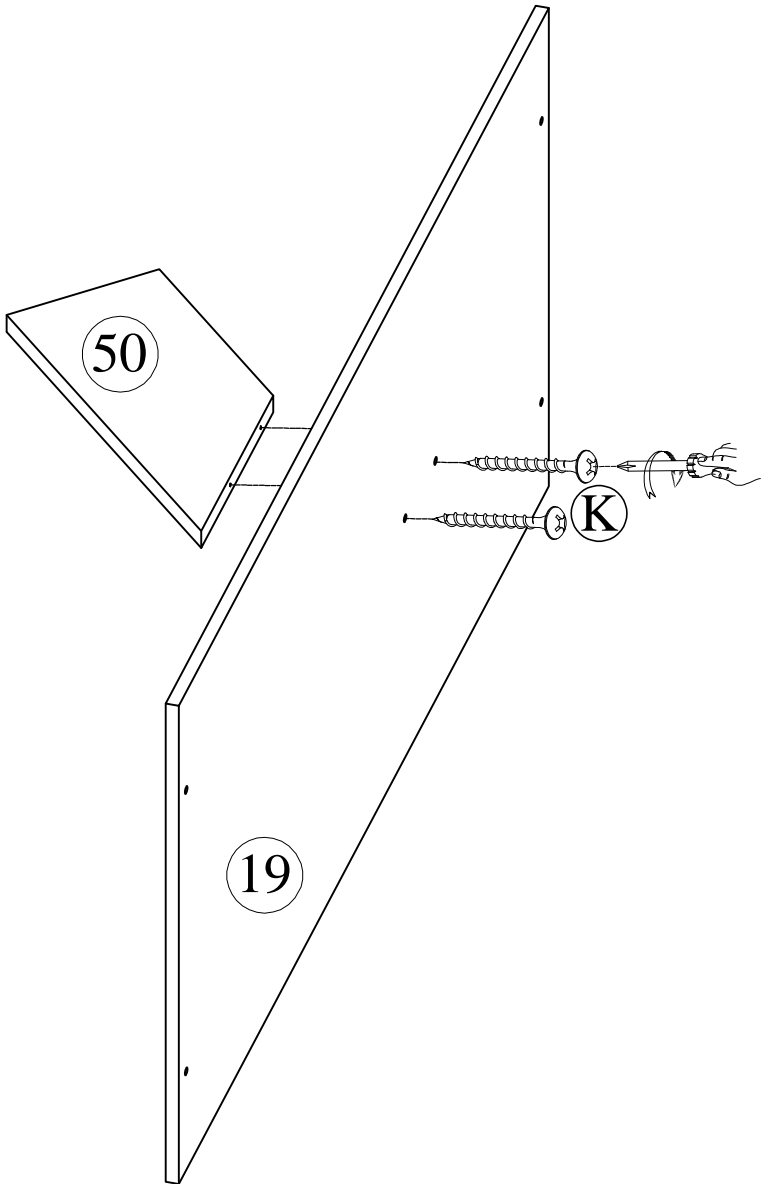


# STEP-15

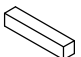
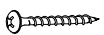
K



2PCS

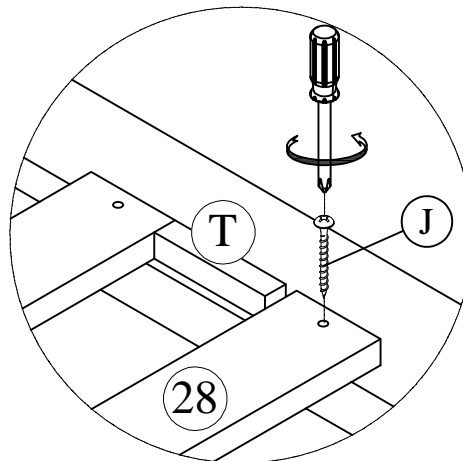
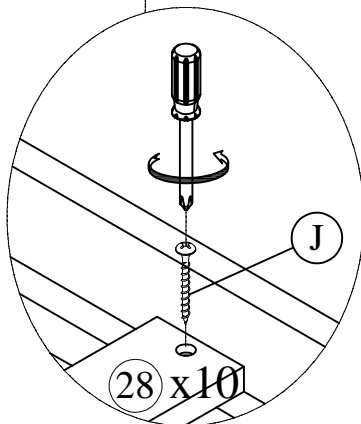
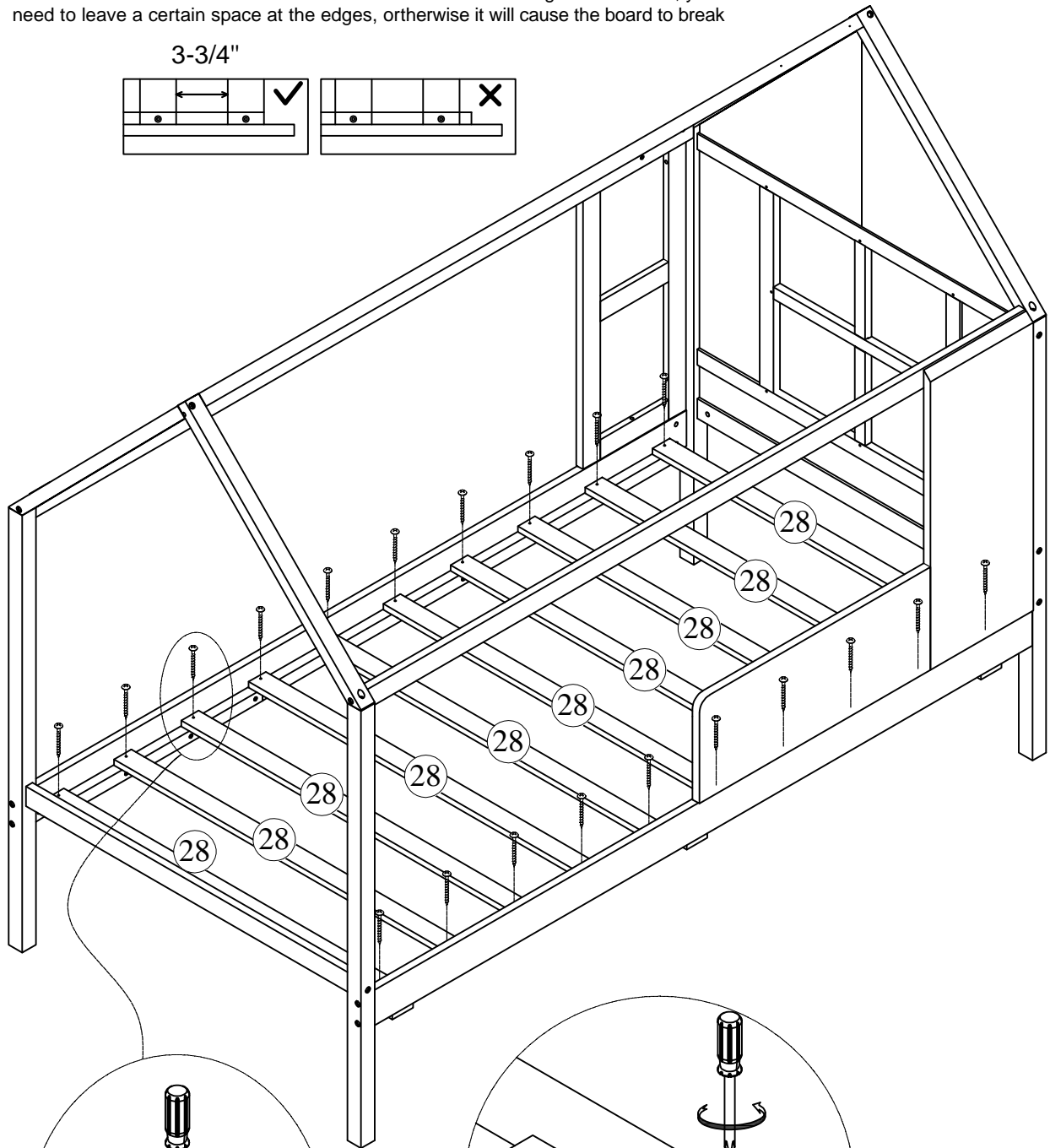
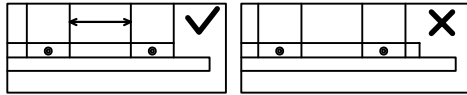


# STEP-16:

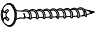
T	J
	
2PCS	20PCS

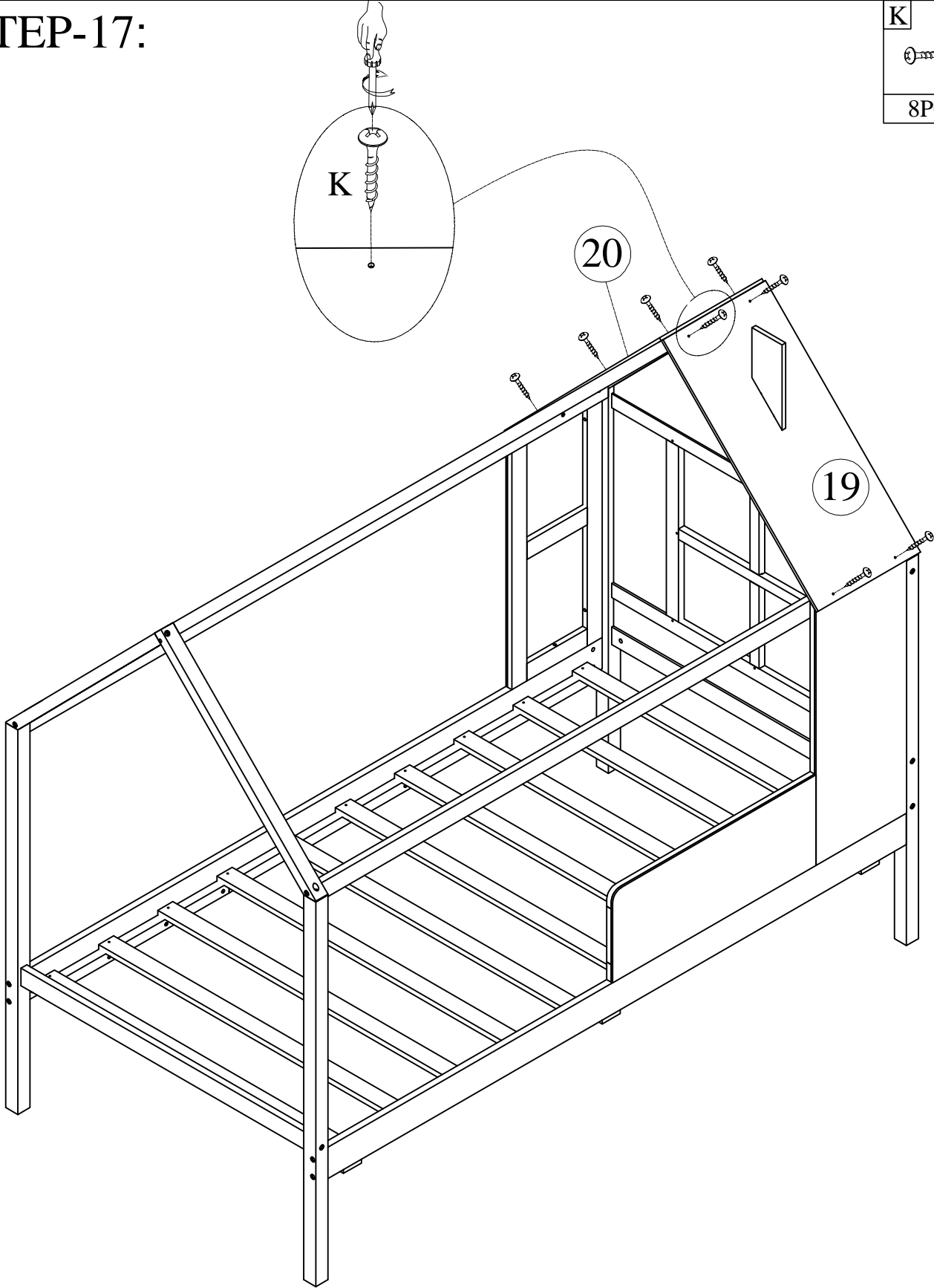
Note: Do not lock the screws of the bed slats to be outmost edge the bed slats, you need to leave a certain space at the edges, otherwise it will cause the board to break

3-3/4"



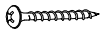
STEP-17:

K

8PCS

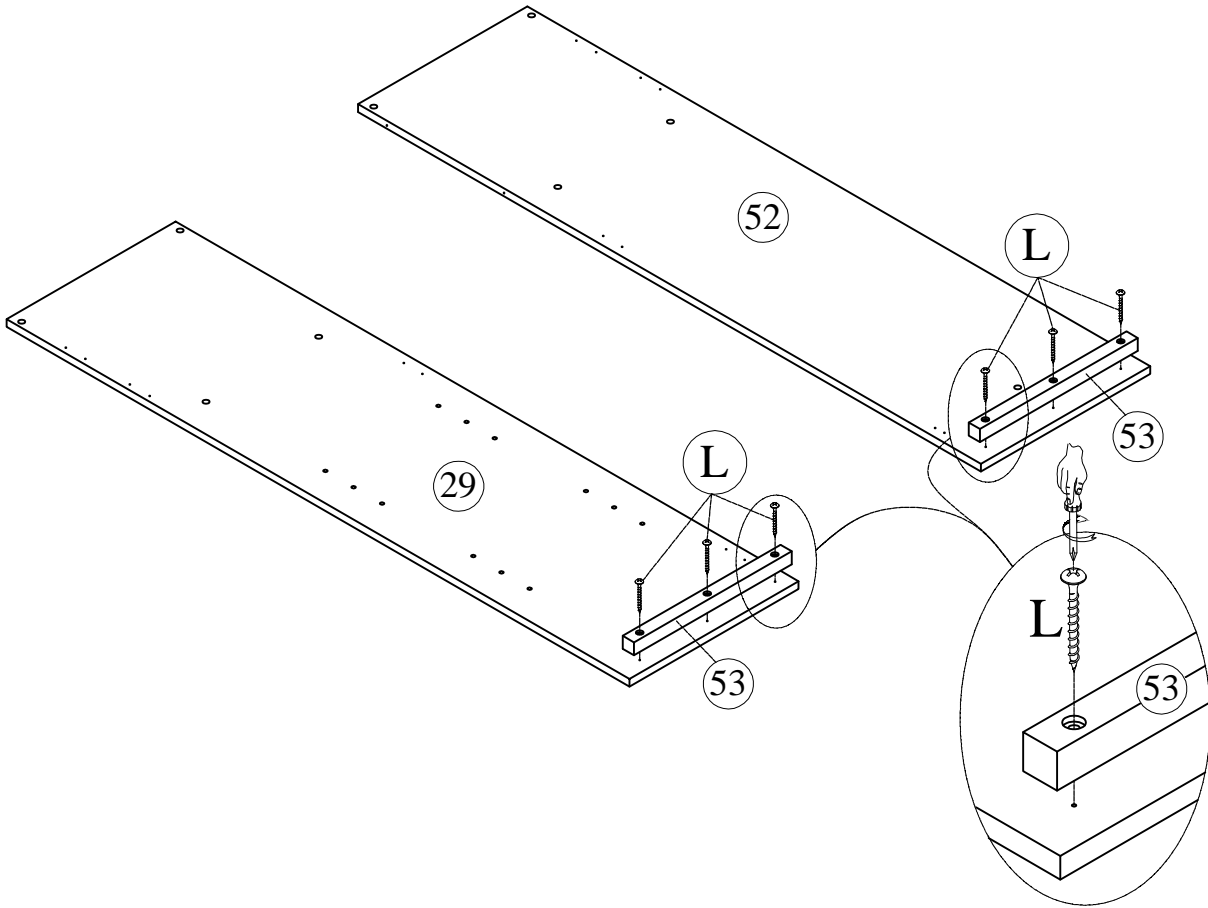


# STEP-18

L

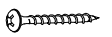


6PCS

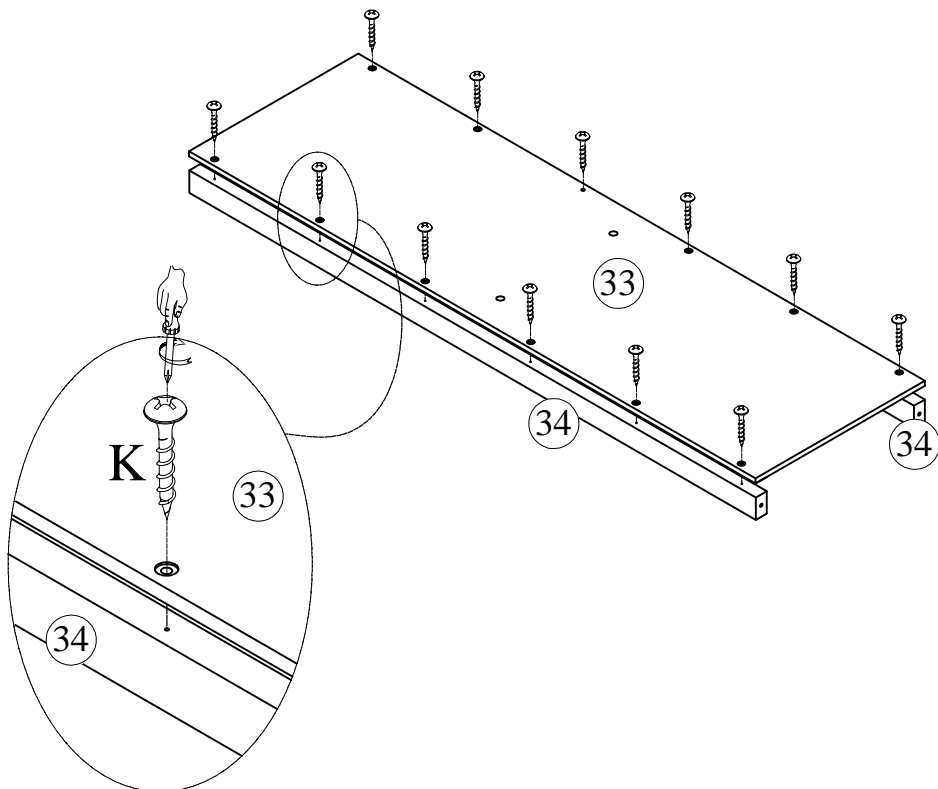


# STEP-19:



K

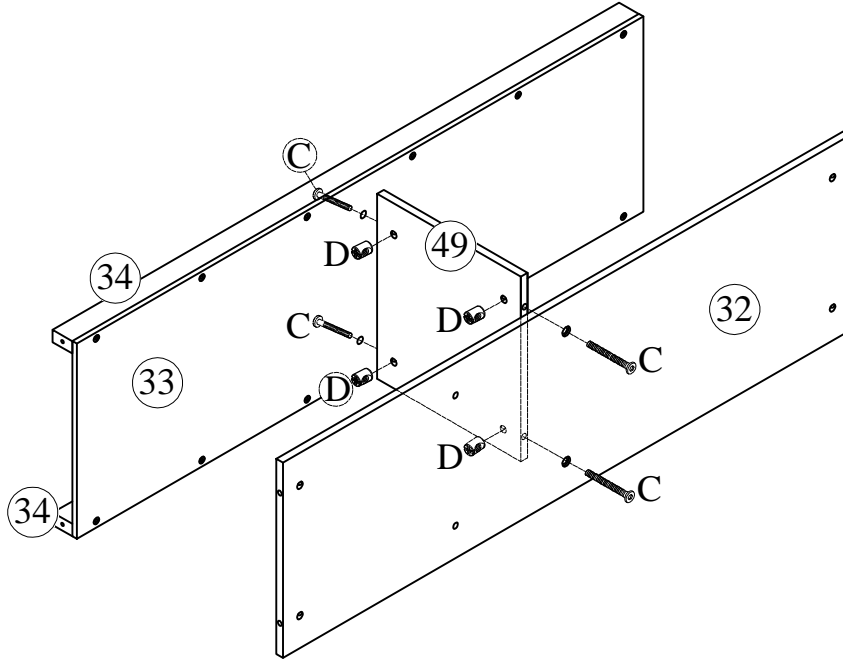


12PCS





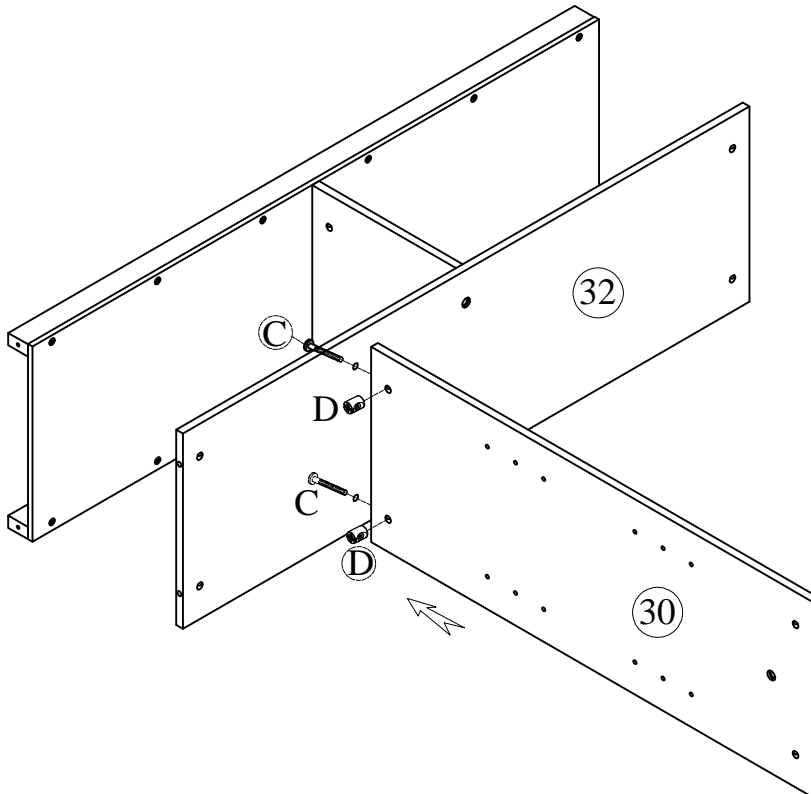
# STEP-20

C	D
	
4PCS	4PCS






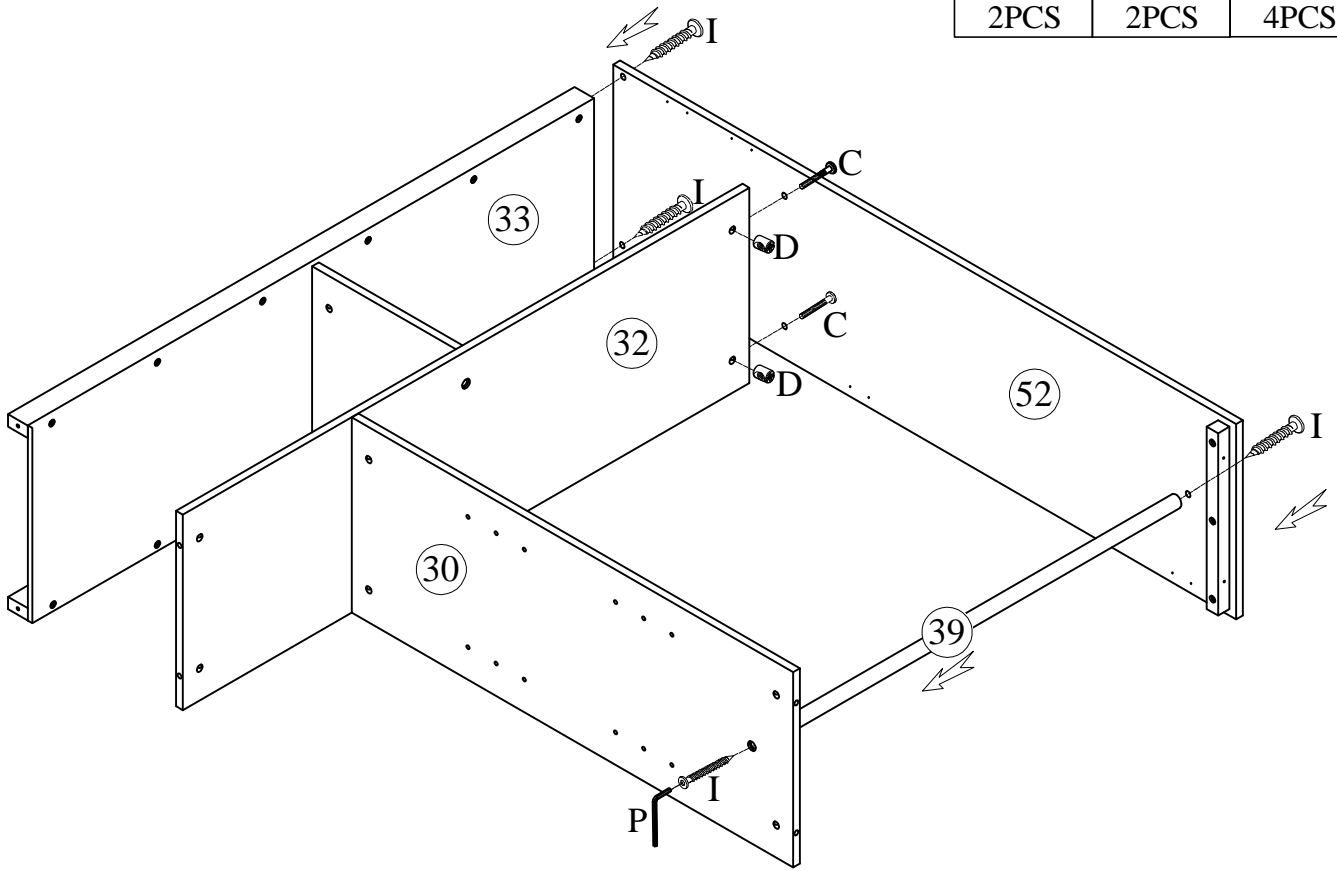
# STEP-21

C	D
	
2PCS	2PCS






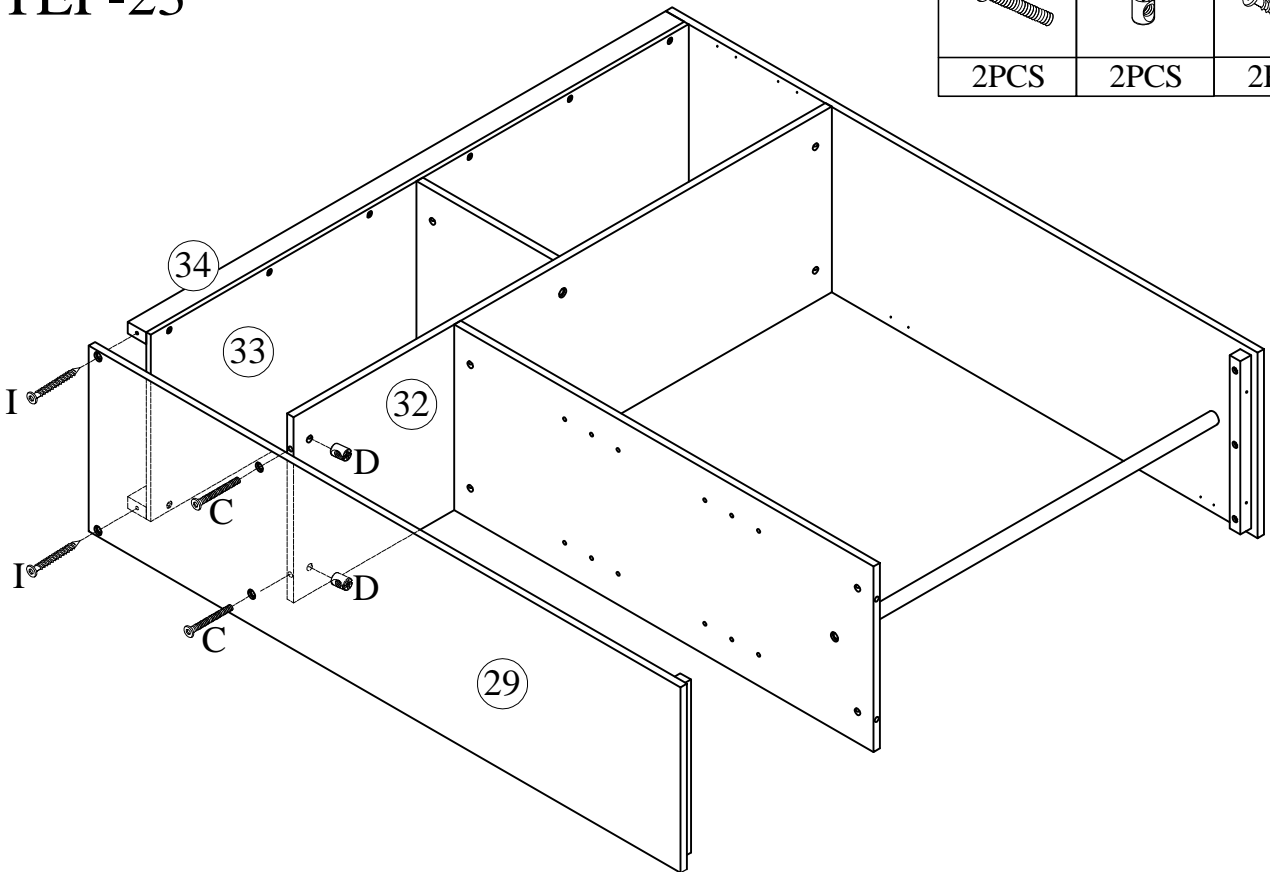
# STEP-22:

C	D	I
		
2PCS	2PCS	4PCS






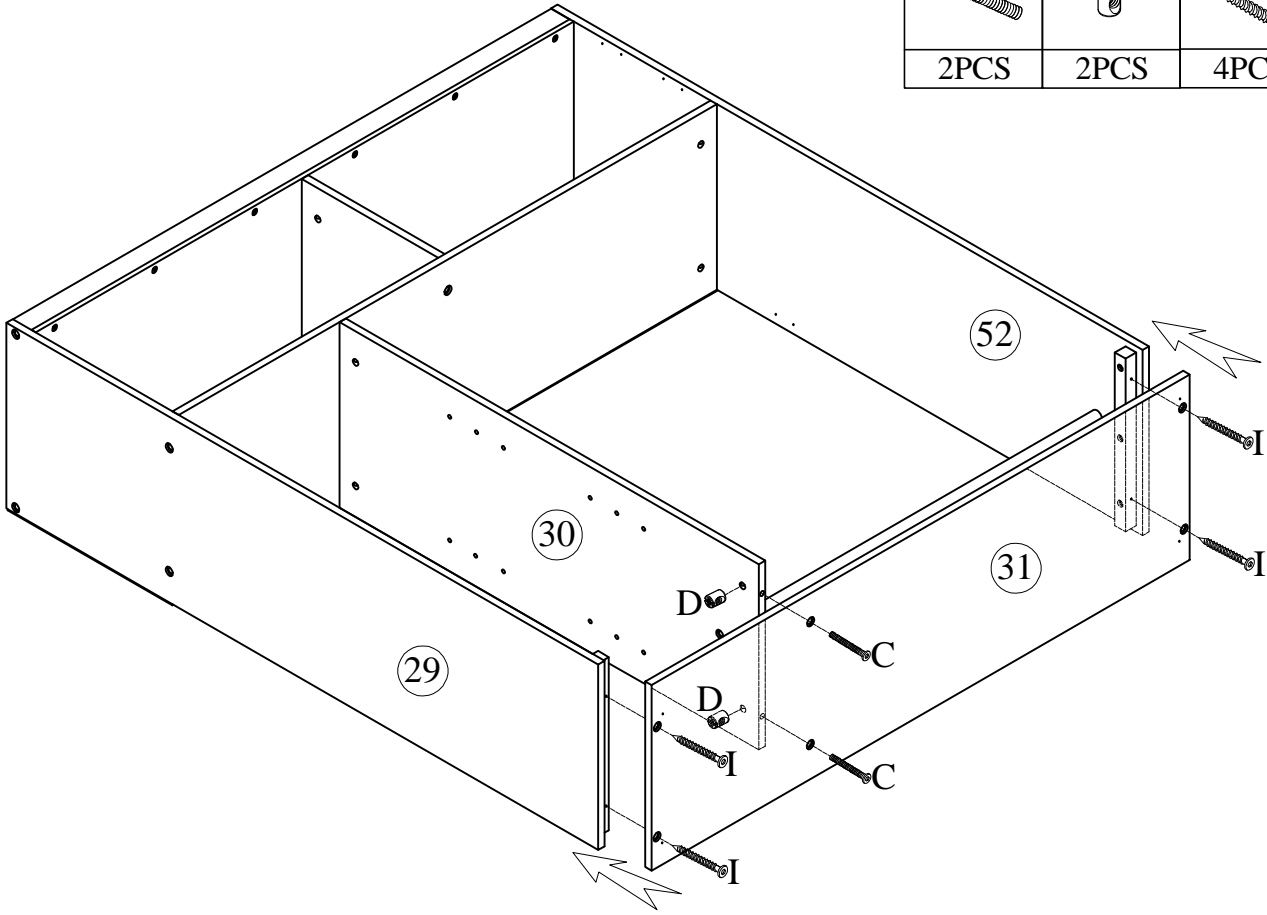
# STEP-23

C	D	I
		
2PCS	2PCS	2PCS

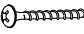


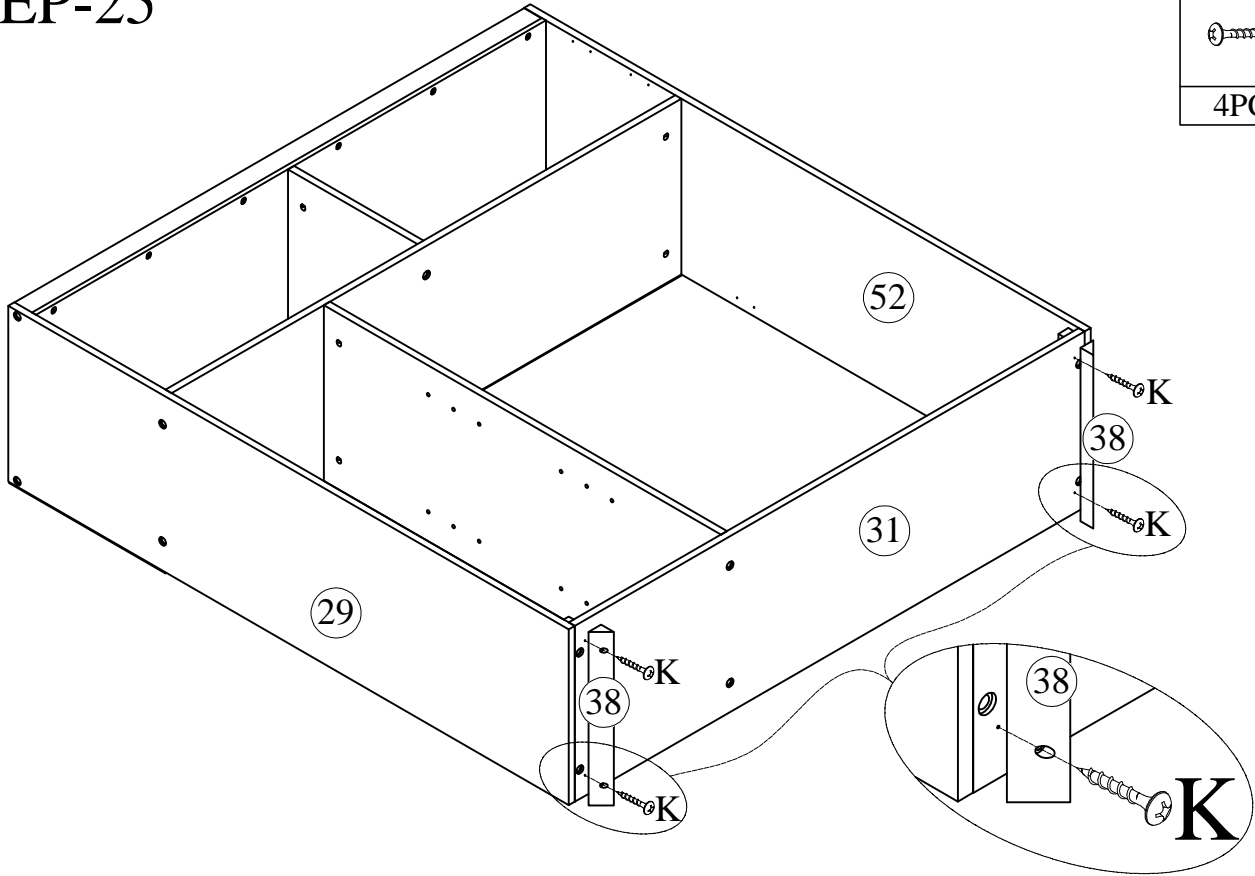
# STEP-24:

<b>C</b> 	<b>D</b> 	<b>I</b> 
2PCS	2PCS	4PCS



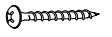
# STEP-25

<b>K</b> 
4PCS

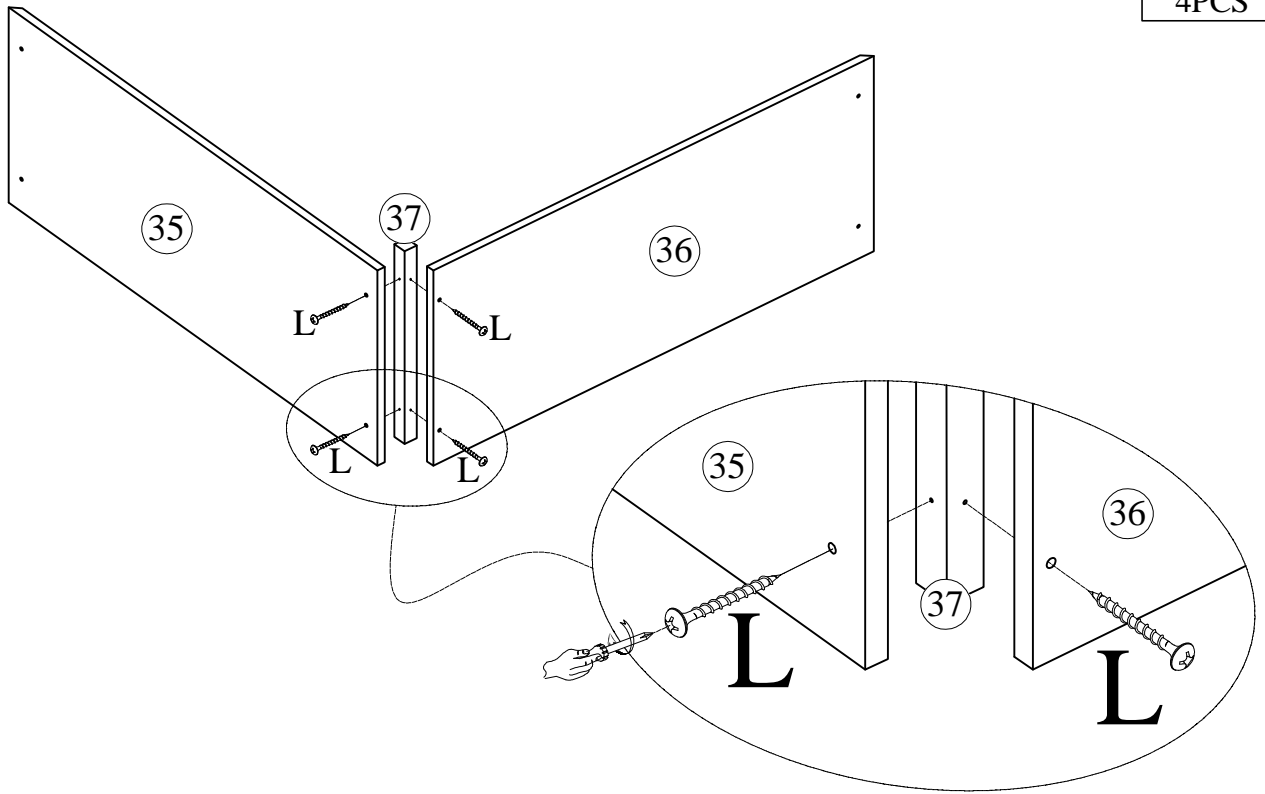


# STEP-26:

L

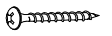


4PCS

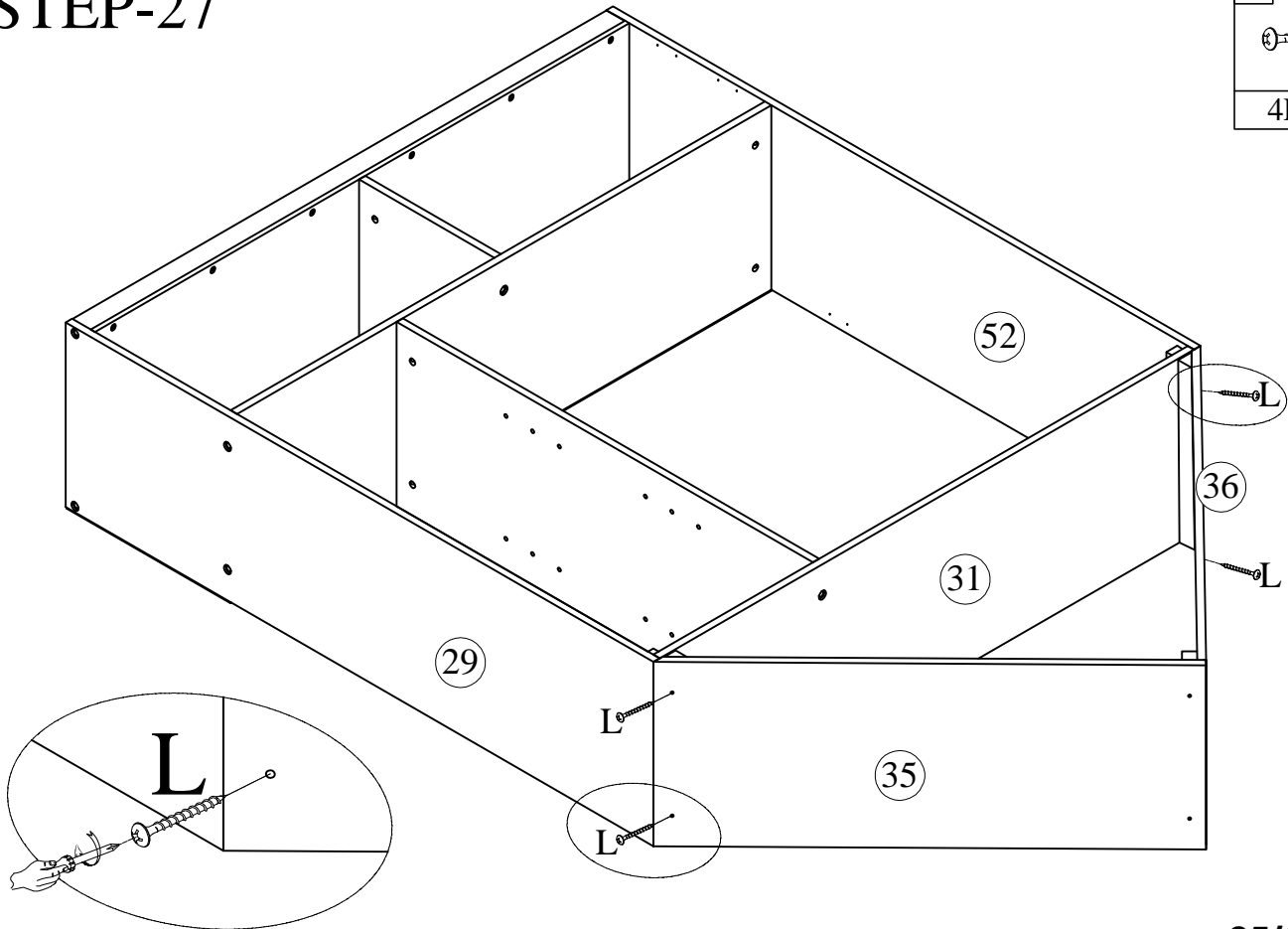


# STEP-27

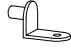


L

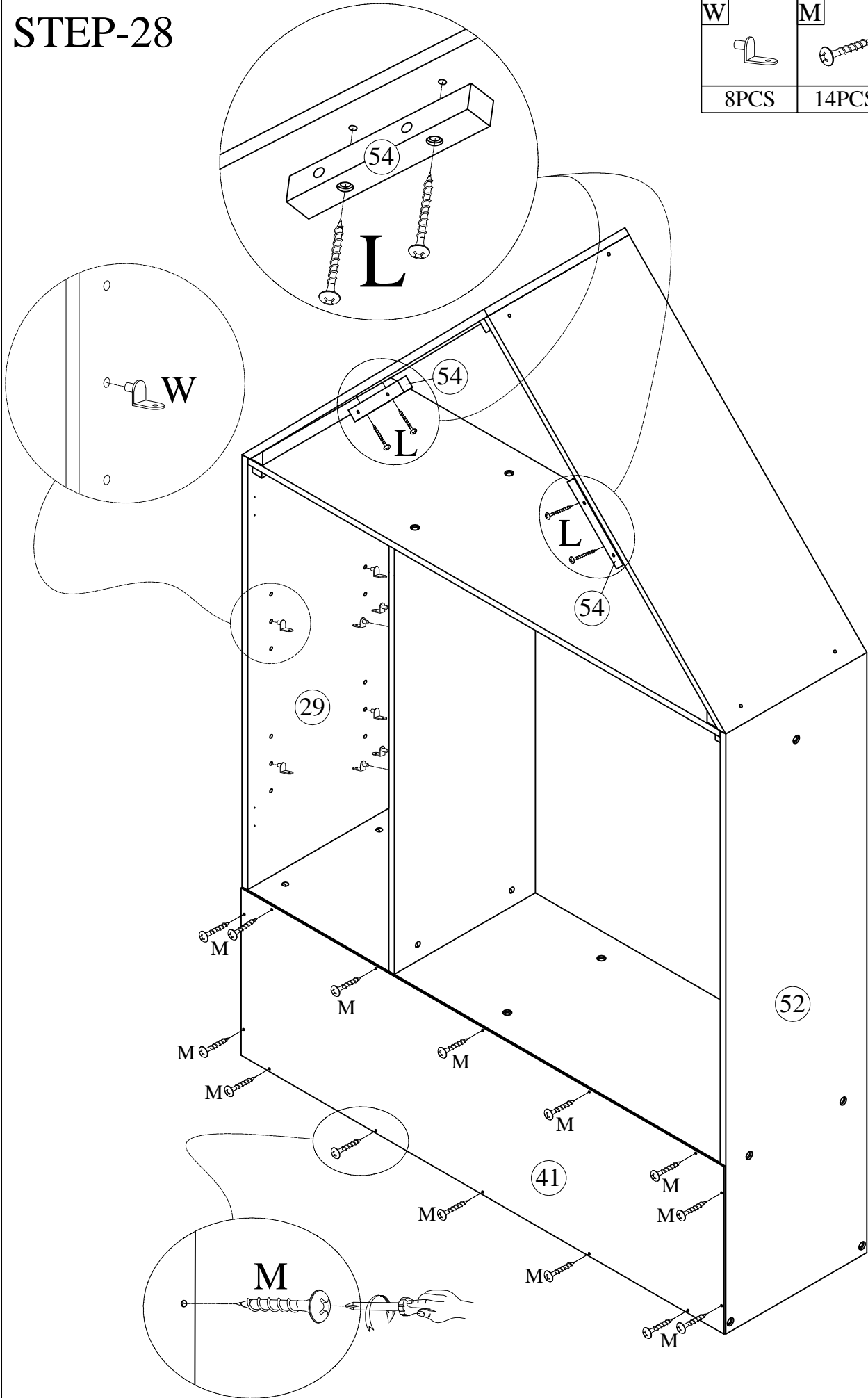


4PCS








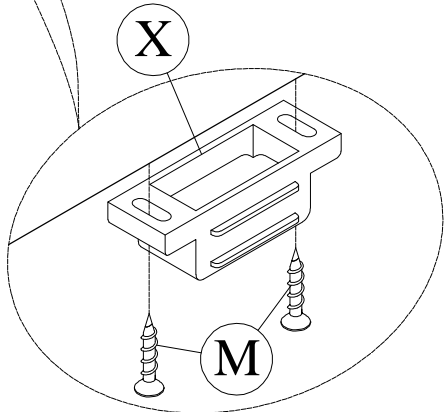
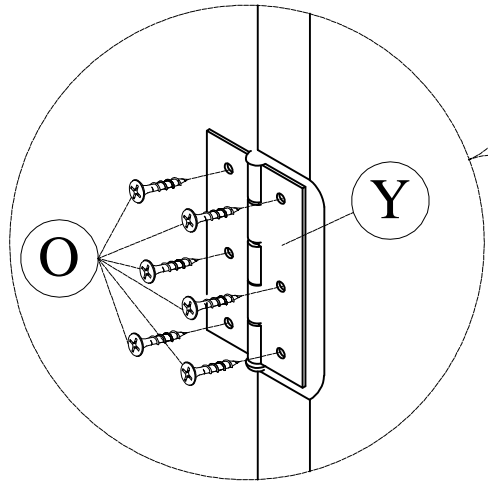
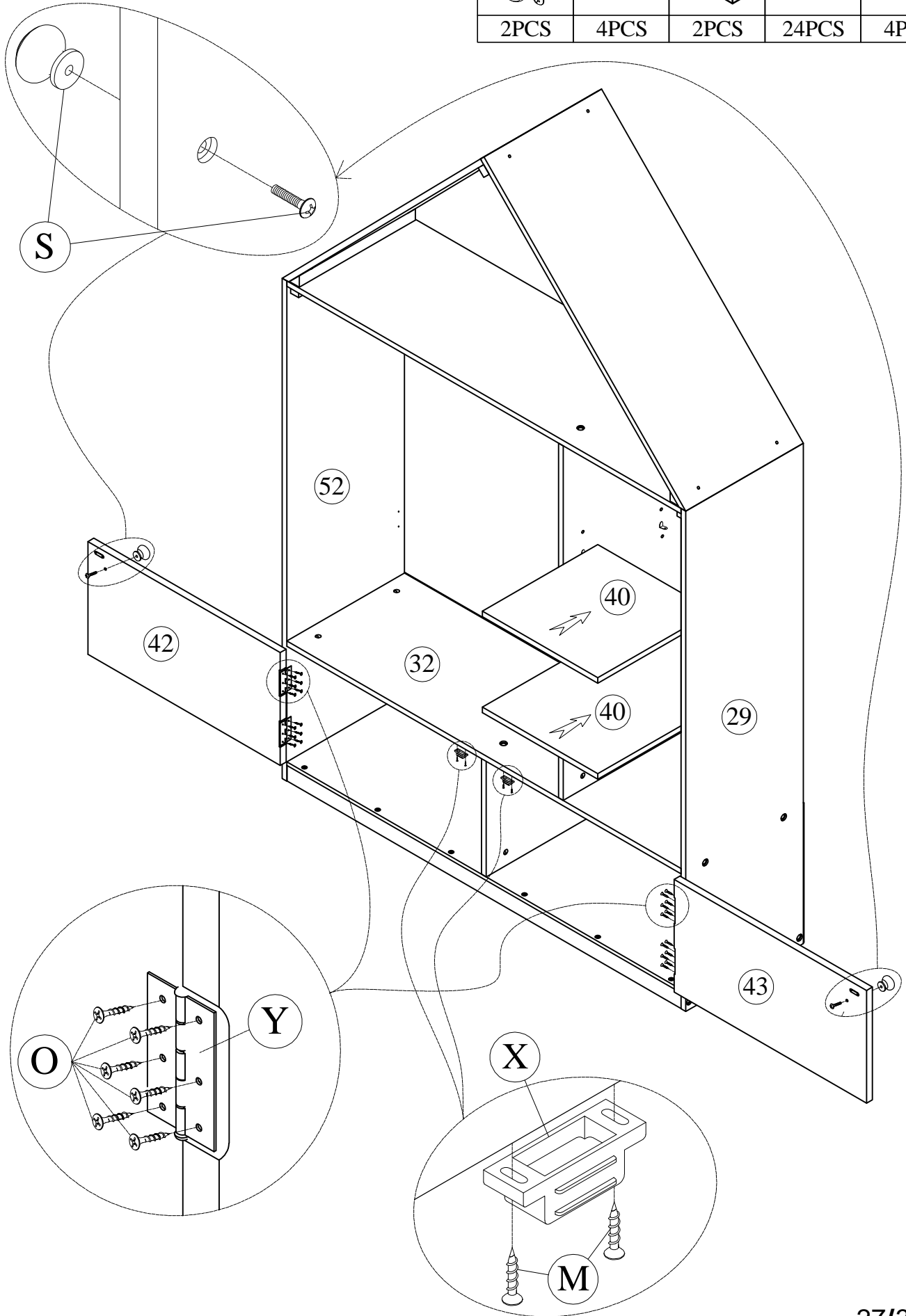
# STEP-28

W	M	L
		
8PCS	14PCS	4PCS



# STEP-29

S	M	X	O	Y
				
2PCS	4PCS	2PCS	24PCS	4PCS

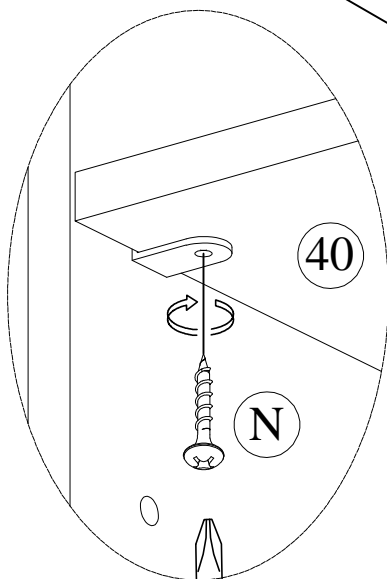
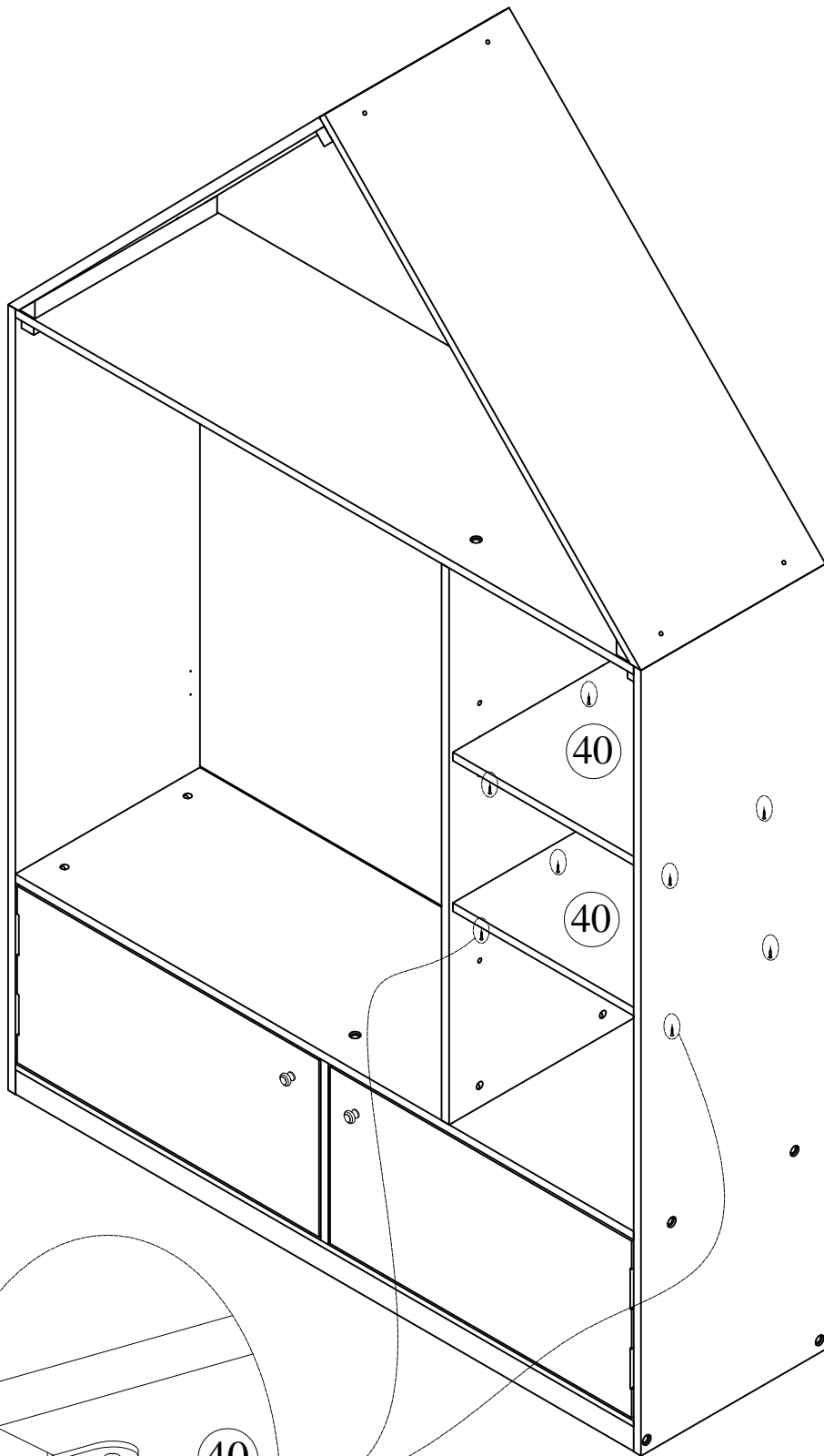


# STEP-30

N

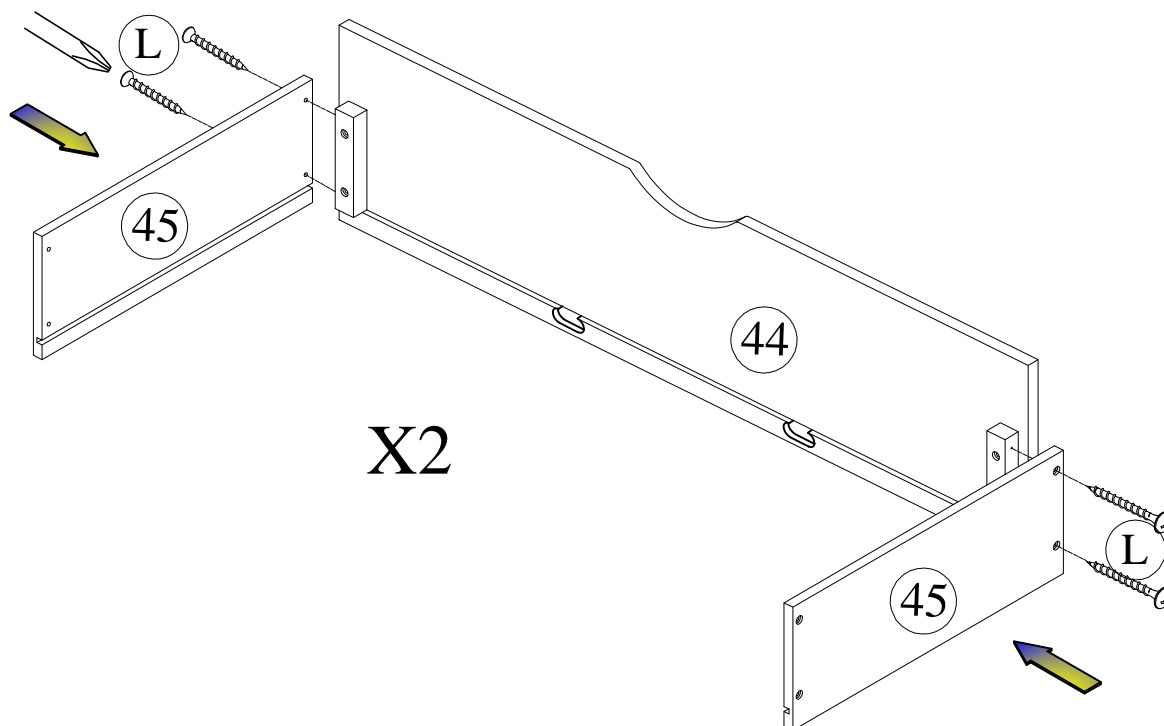


8PCS

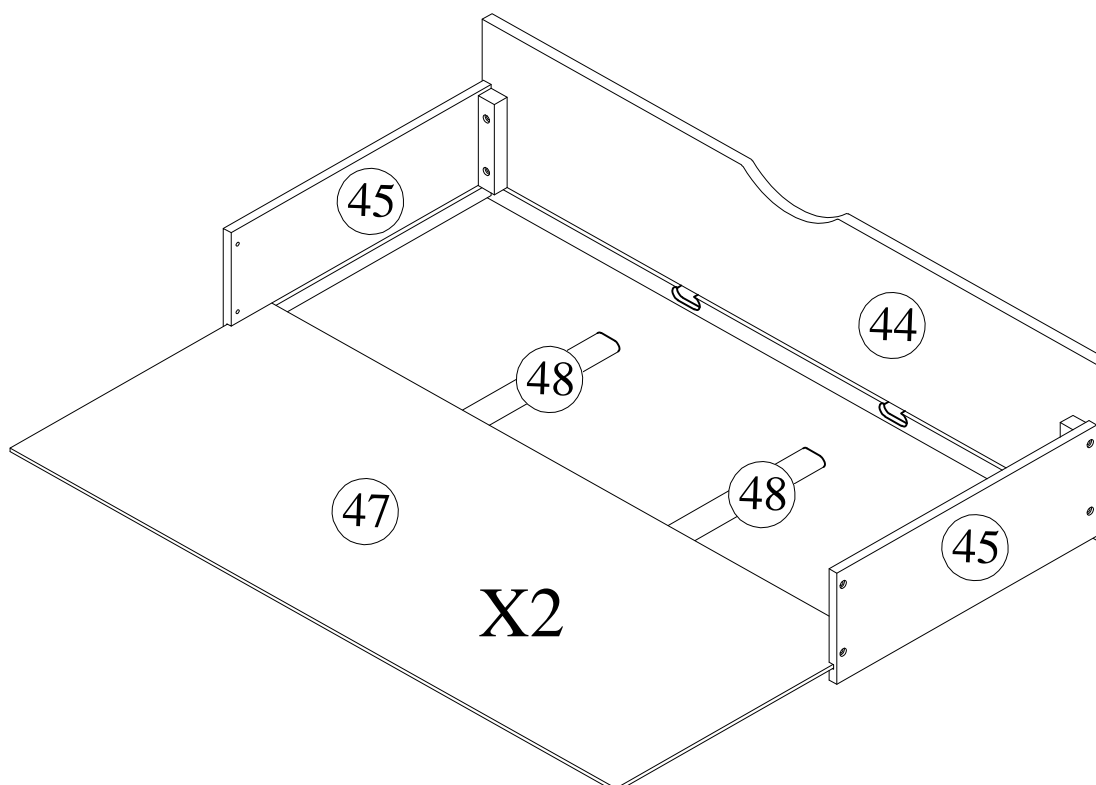


# STEP-ÉTAPE-31




L  
8PCS

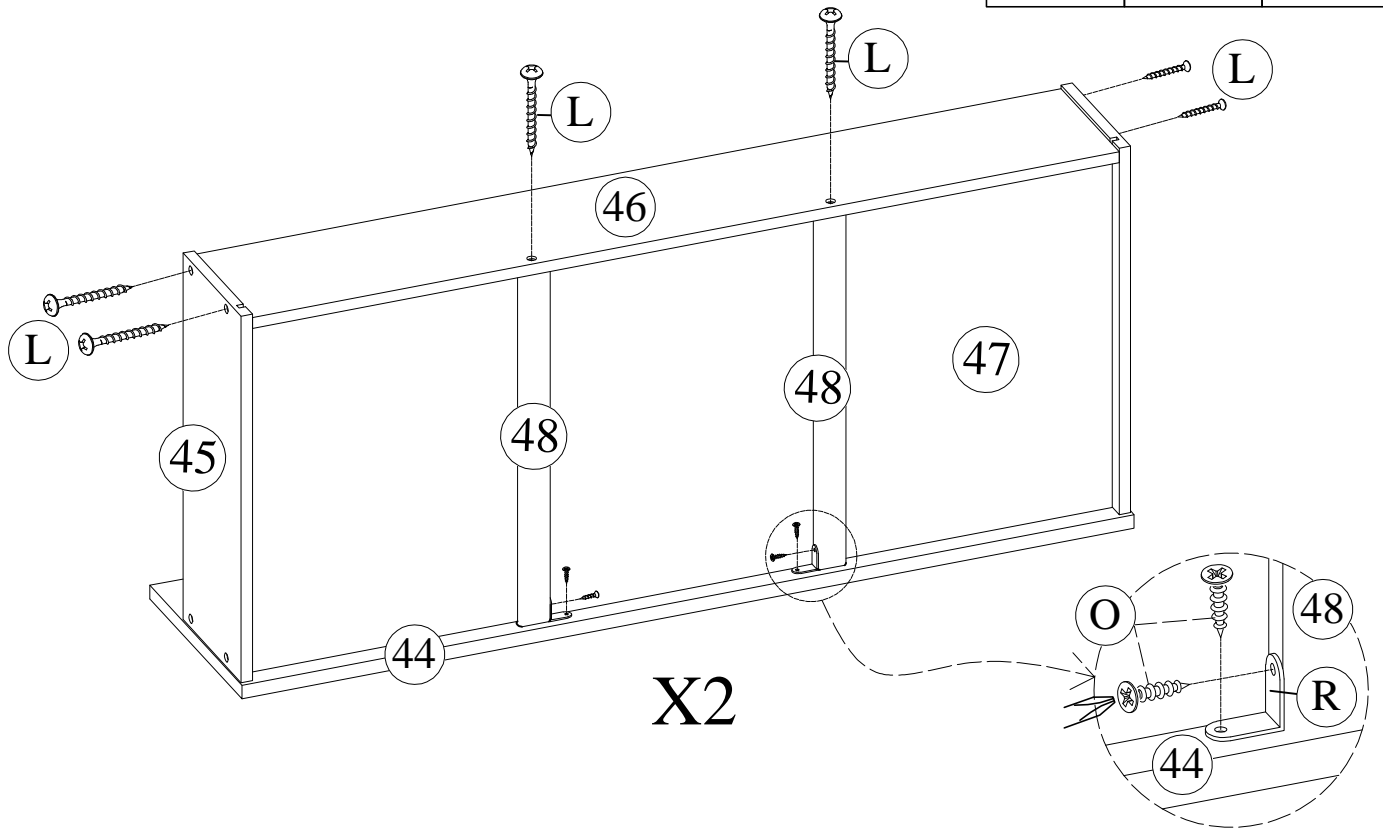


# STEP-ÉTAPE-32





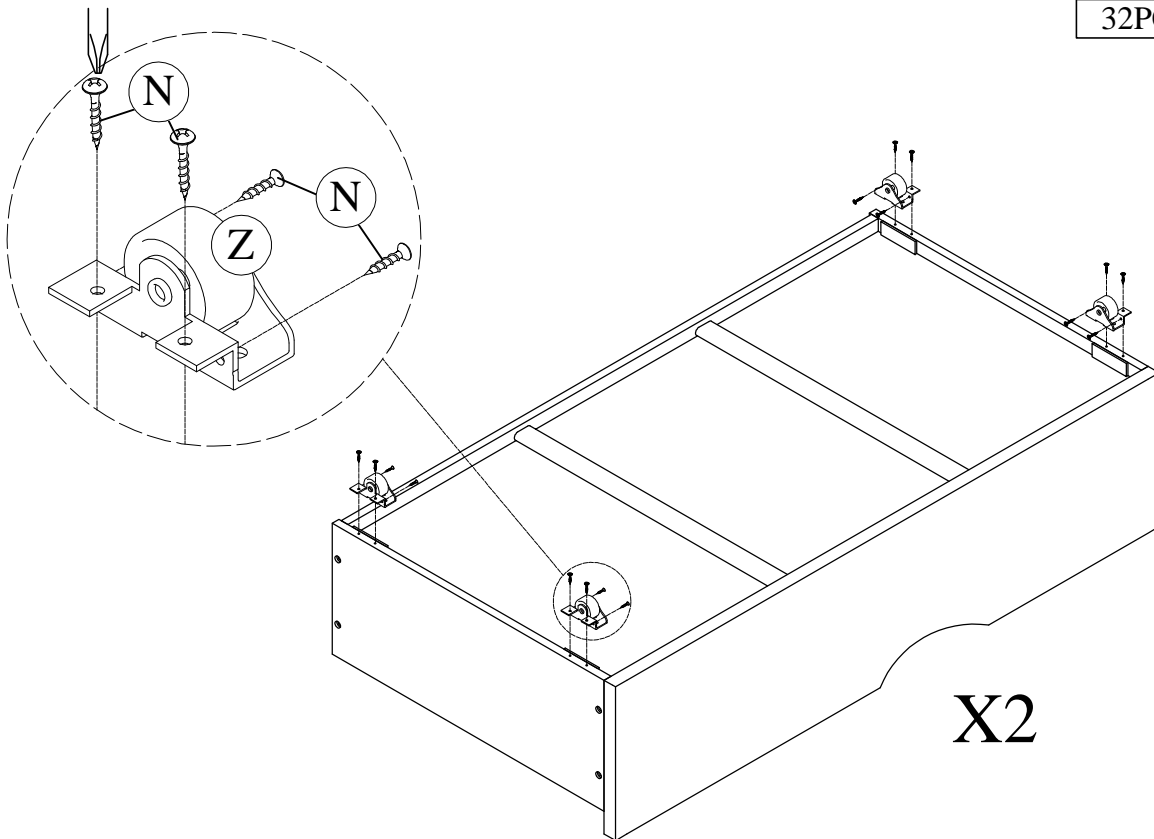
# STEP-ÉTAPE-33

R	O	L
		
4PCS	8PCS	12PCS



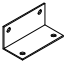


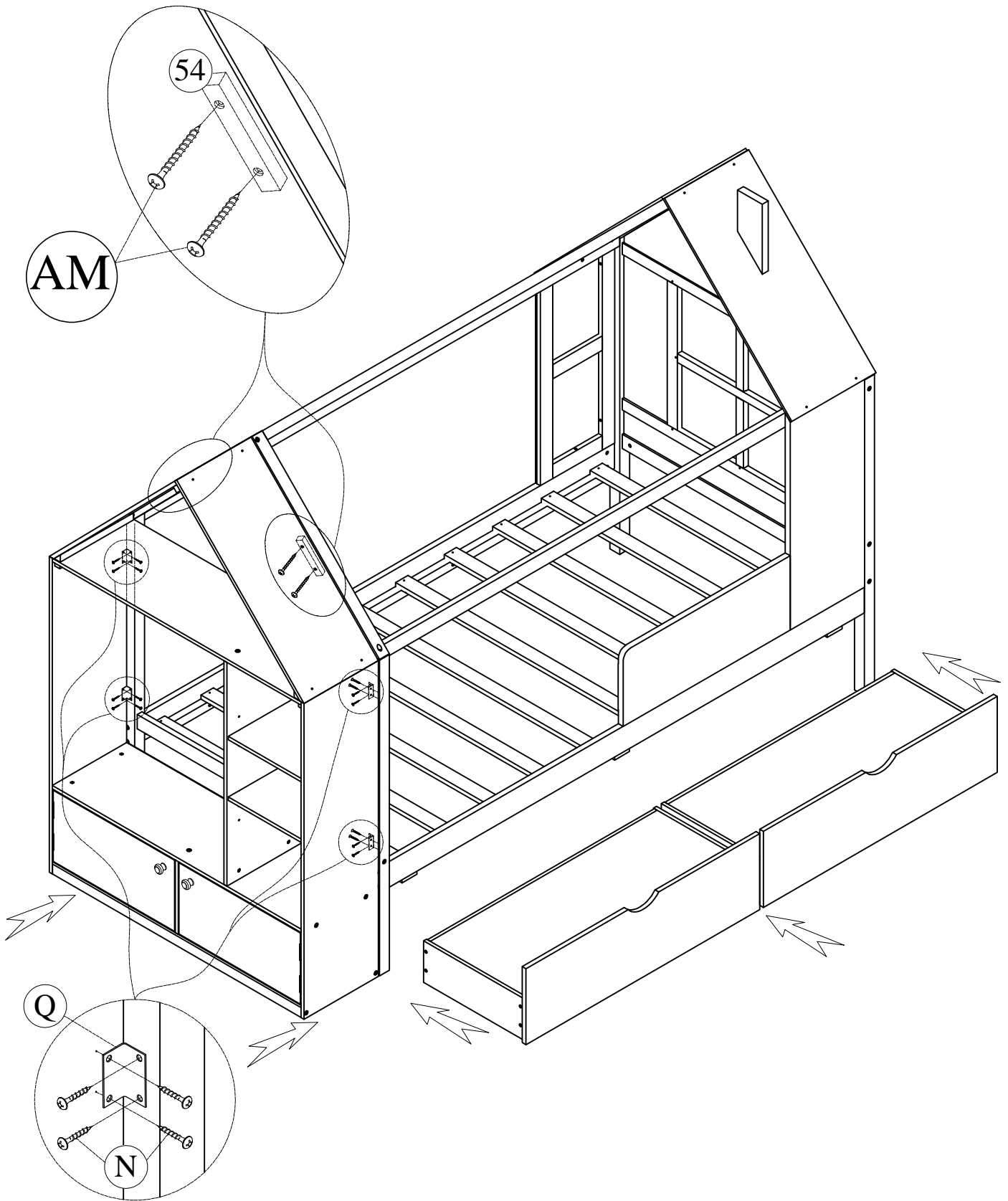
# STEP-ÉTAPE-34

N	Z
	
32PCS	8PCS



# STEP-ÉTAPE-35

AM	N	Q
		
4PCS	16PCS	4PCS



COMPLETED

