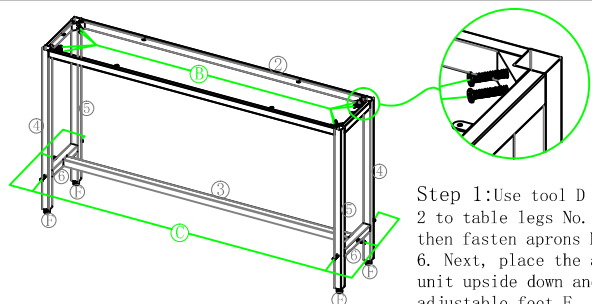


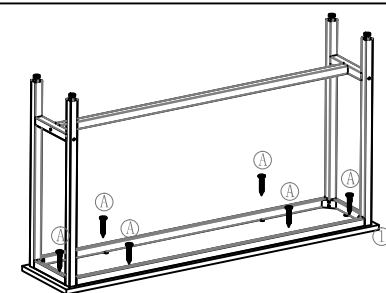
### Installation drawing

Please do not return this product to the retailer! We are able to assist you in ANY way!  
If you find that you have any trouble with assembly or missing or damaged parts please contact the seller.

SZ-BTZ-0001-table  
70.86\*15.7\*39.2inch

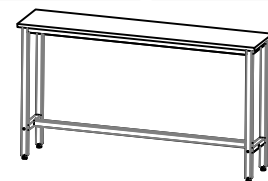


Step 1: Use tool D to parts No. 2 to table legs No. 4 and No. 5, then fasten aprons No. 3 and No. 6. Next, place the assembled unit upside down and install adjustable feet F.



Step 2: Turn the assembly upright, center parts No. 1, and secure it with screws A.

Parts List			Hardware Fitting		
NO.	Drawing	QTY	NO.	Drawing	QTY
1	Tabletop	*1	A	M4*25	*6
2	Frame	*1	B	M8*40	*8
3	Long aprons	*1	C	M8*70	*6
4	Table legs	*2	D	M5	*1
5	Table legs	*2	F	M8*12	*4
6	Short aprons	*2			

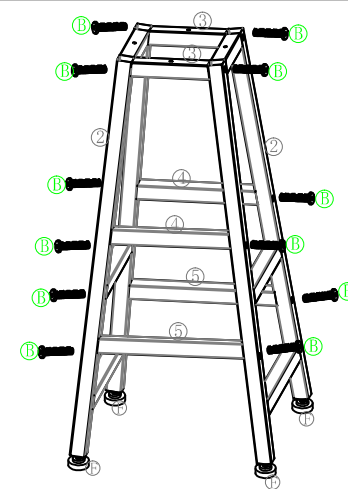


Tighten only after all screws are aligned with their correct holes.

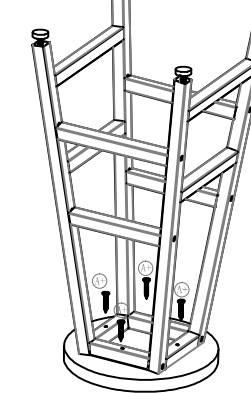
### Installation drawing

Please do not return this product to the retailer! We are able to assist you in ANY way!  
If you find that you have any trouble with assembly or missing or damaged parts please contact the seller.

SZ-BTZ-0001-Chair  
13\*13\*27.1inch



Step 1: Secure accessory parts 2, 3, 4, and 5 with screw B, then tighten using Tool C, and finally screw on adjustable feet F.



Step 2: Lay the assembled unit down, center the panel, and secure it with screws A.

Parts List			Hardware Fitting		
NO.	Drawing	QTY	NO.	Drawing	QTY
1		*1x4	A	M4*40	*4x4
2		*2x4	B	M8*40	*12x4
3		*2x4	C	M5	*1
4		*2x4	F	M8*12	*4x4
5		*2x4			



Tighten only after all screws are aligned with their correct holes.