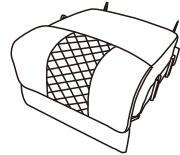
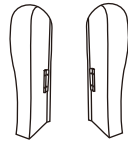


## Parts List-A

**A** 1xSeat



**B** 2xBack Wings



**C** 2x Arm Pads



## Parts List-B

**D** 1xPower Kit



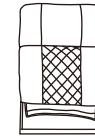
**E** Remote Control



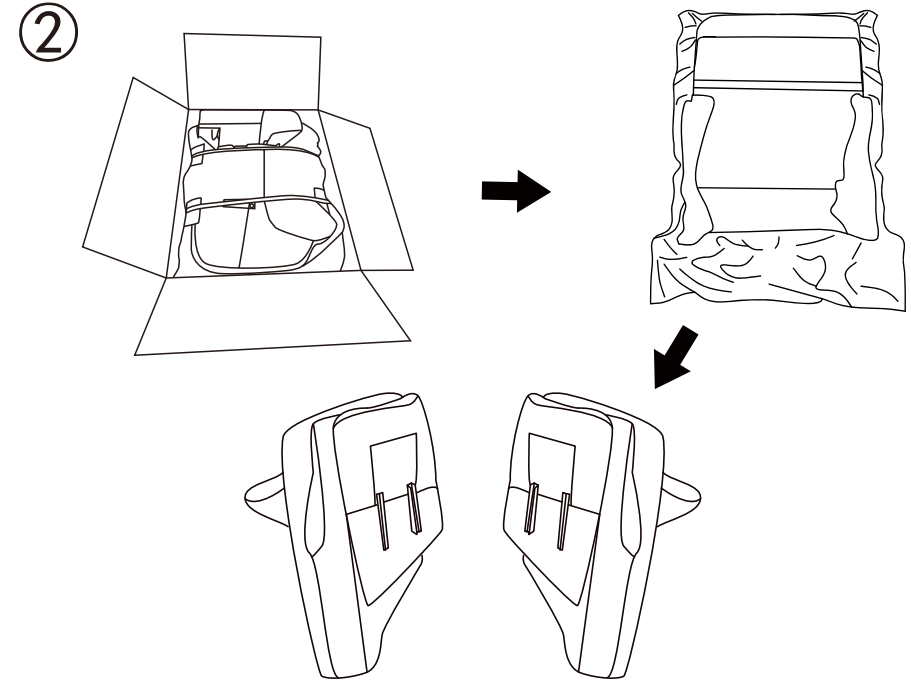
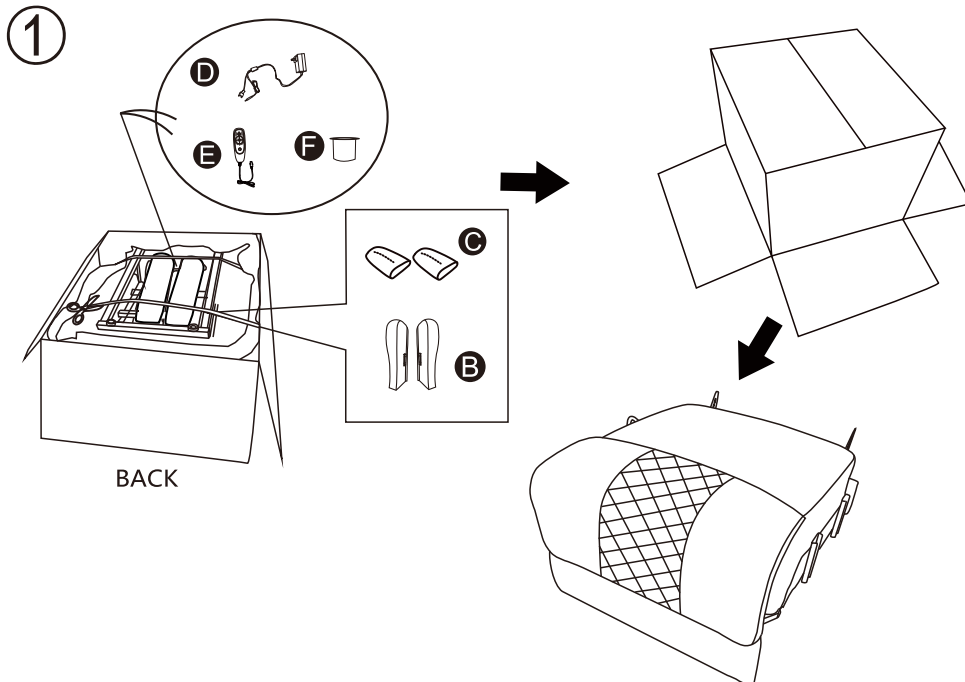
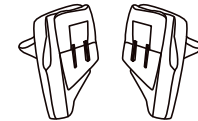
**F** X2 Cup Holder



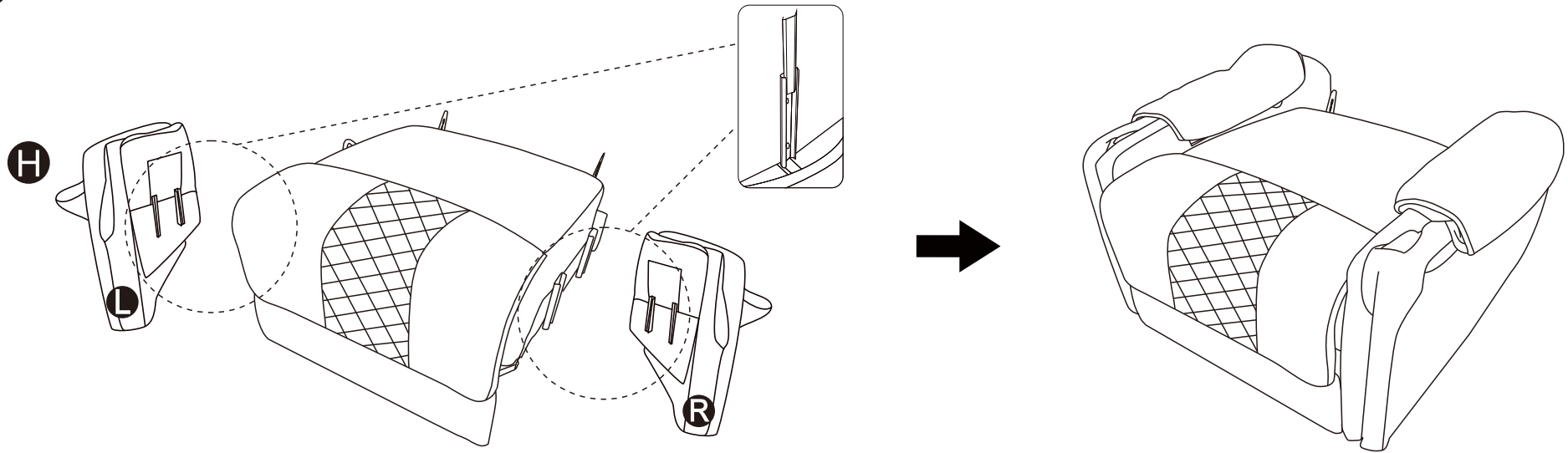
**G** 1X Back



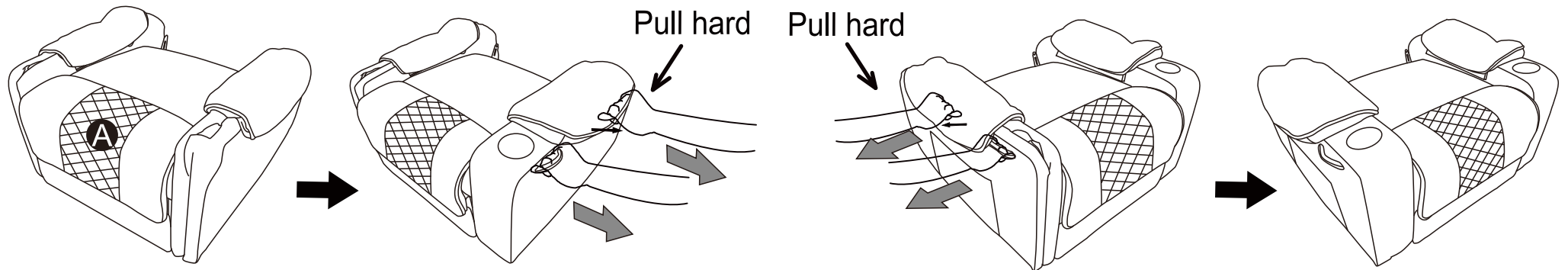
**H** 2X Arm



③

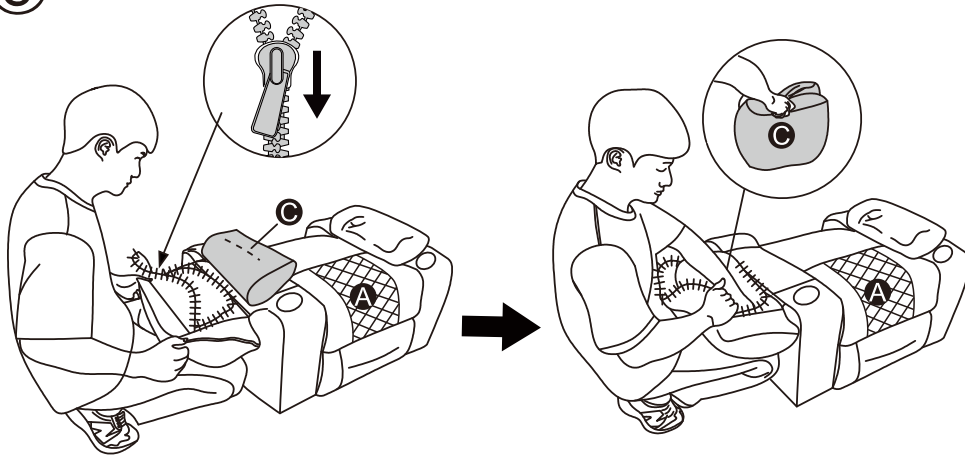


④



\* NOTE: Hold the handles on the armrest with both hands, pull it out horizontally until you hear two clicks, now the armrest is extended.

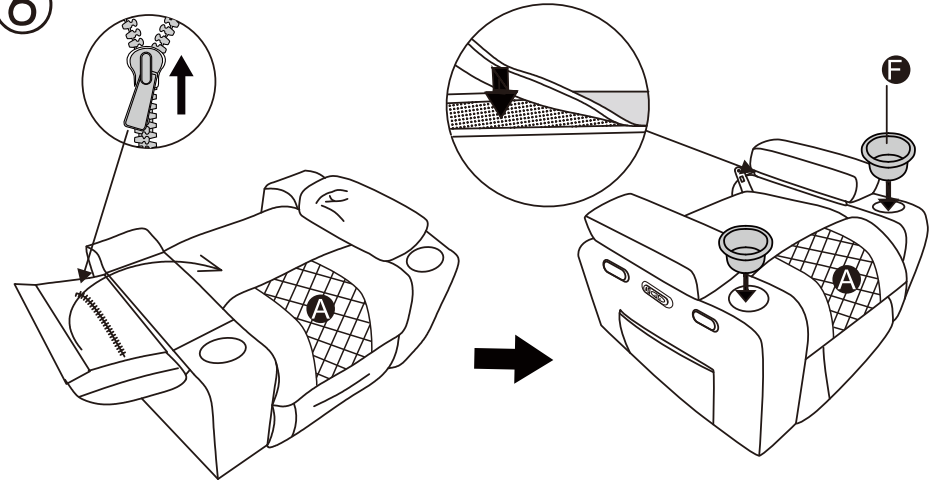
5



Unzip up the armrest cover.

Insert the armrest insert into the armrest cover.

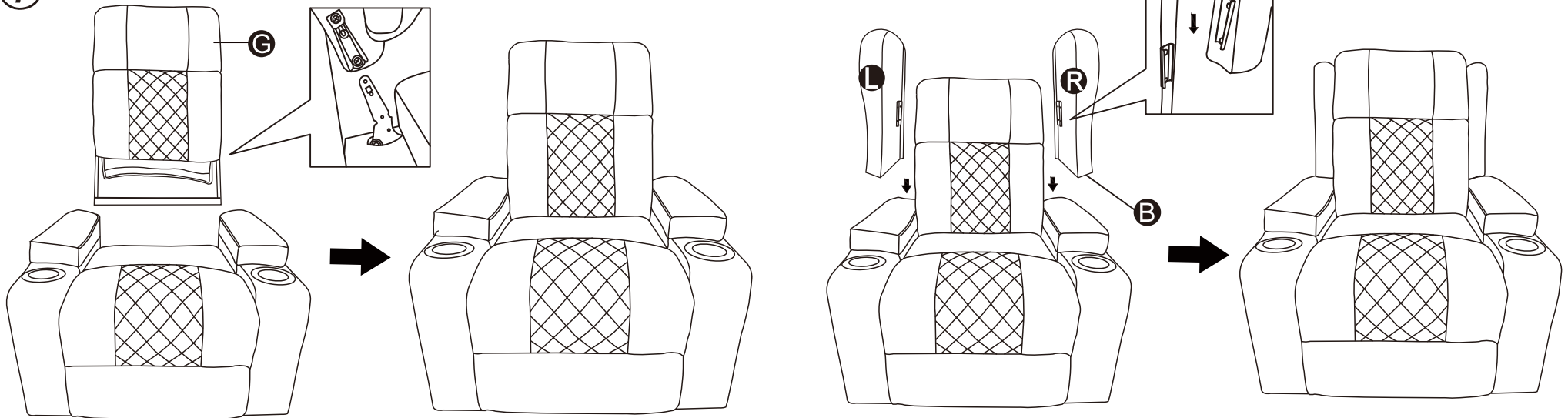
6



zip up the armrest cover.

Stick the armrest cover to the armrest and then install the cup holders.

7



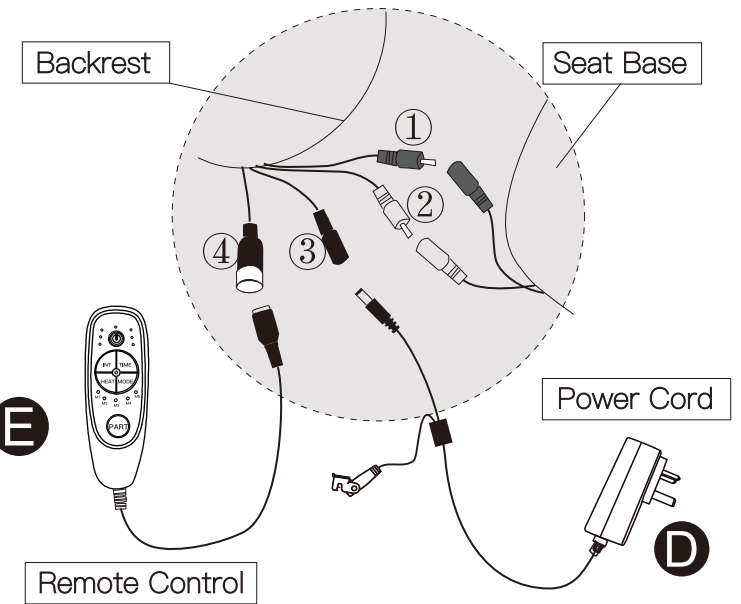
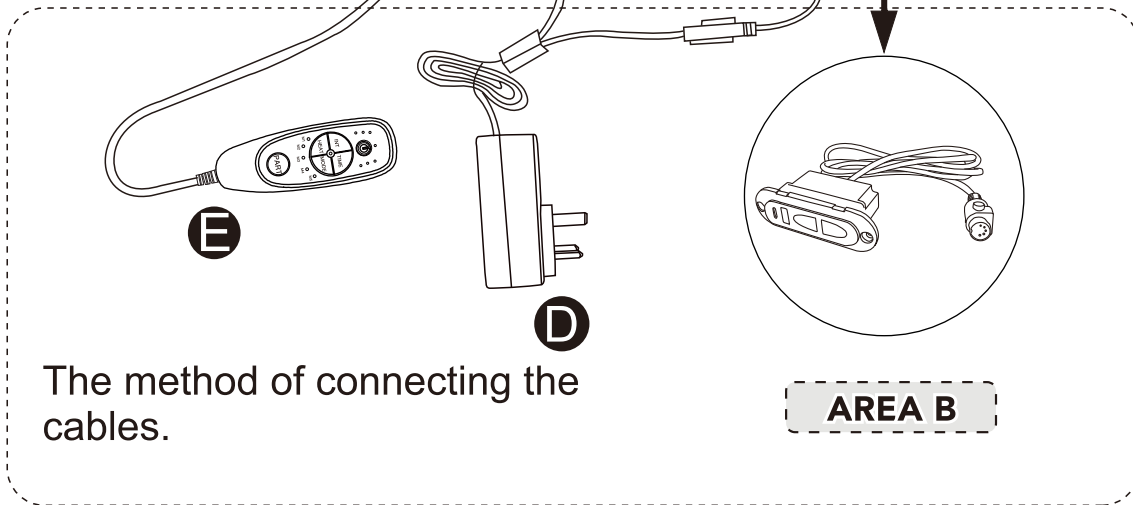
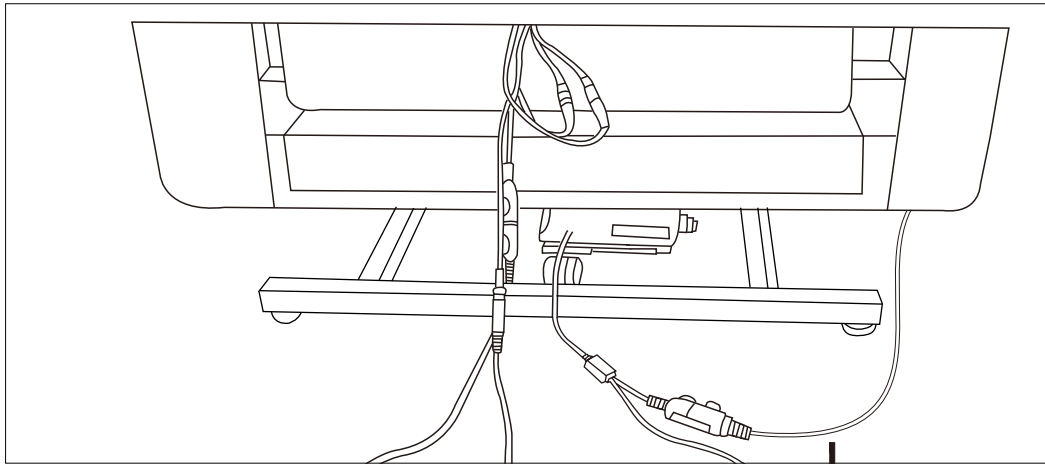
Attach the backrest to the seat.

Attach the side panels to the seat.

Attach the side panels to the seat.

Attach the side panels to the seat.

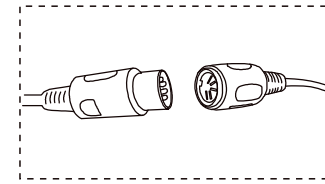
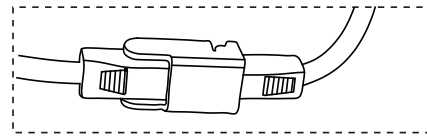
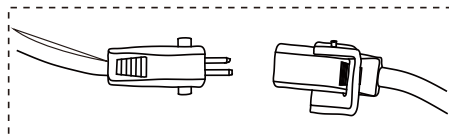
8



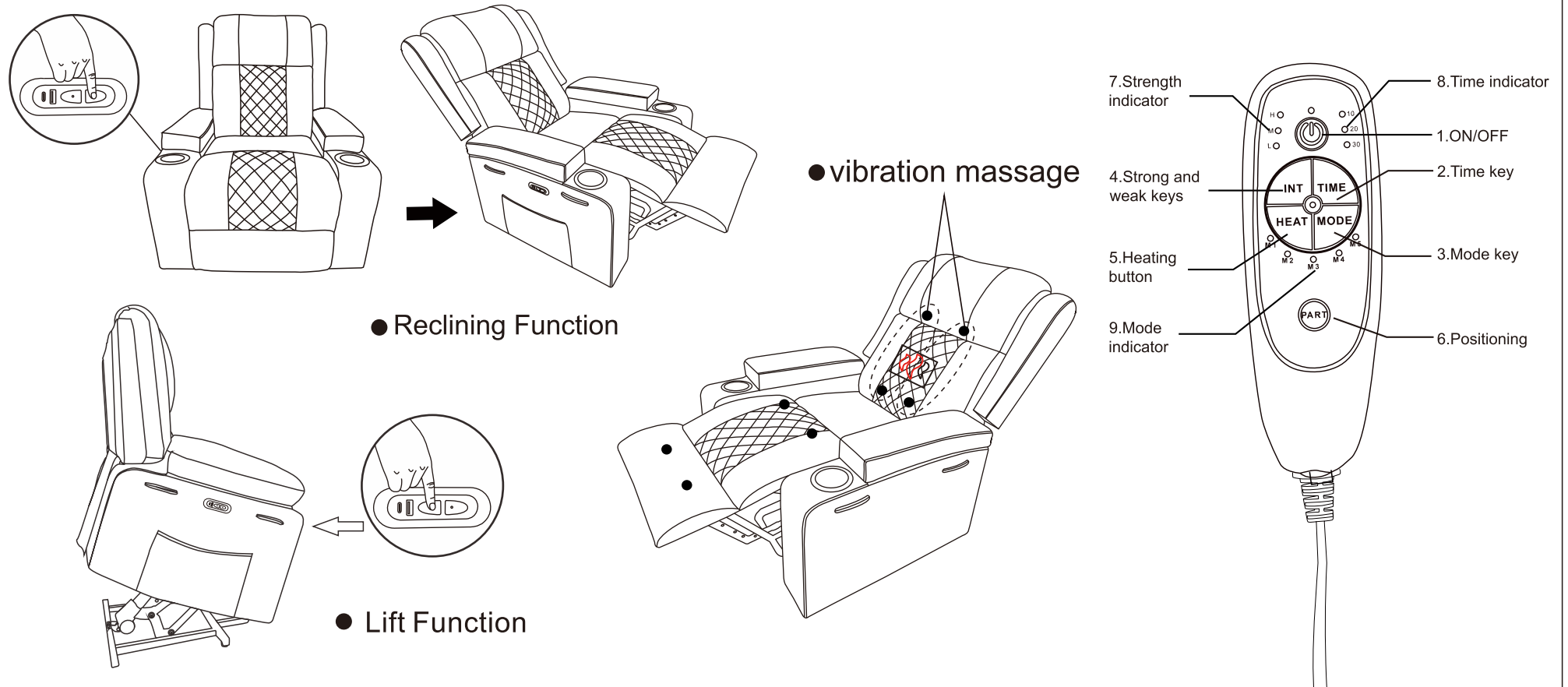
**AREA B**

Connect ① ② with wires of same color from the seat base.

Connect ③ with Power cord ④ and ④ with Remote control ⑤.



 You've put in the effort—now enjoy the rewards!



● Reclining Function

● Lift Function

● vibration massage

## I、Specifications of power adapter

Power on in standby state. The user can realize the function through the hand controller control  
 Input :AC 100-240V, 50Hz/60HZ; Output: DC12V1A.

## II、Product features

1. Motor vibration at position 8
2. 1-way heating plate
3. Three-segment timing, the default timing shutdown time is 10Min
4. 3rd gear vibration intensity
5. 5 vibration modes

## III、Function details

1. ON/OFF: Switch on and of
2. TIME: Positioning cycle by massage time (10/20/30 min) , Boot default 10min
3. MODE: Tap the five vibration modes to switch (M1/M2/M3/M4/M5) ,The default startup mode is M4
4. INT: Switch point by vibration intensity (H/M/L) ,Boot the default M file (medium Files)
5. HEAT: Click heating switch circulation
6. PART: Vibration positioning key , Boot the default vibration is full on, tap to switch to a single part vibration
7. Strength indicator
8. Time indicator
9. Mode indicator