

# Adirondack Chair

---



**INSTRUCTION MANUAL**

---

## **ASSEMBLY INSTRUCTIONS:**

·Our clear, easy-to-follow, step-by-step instructions will guide you through the project from start to finish.

·Do not skip any steps.It is of utmost importance to assemble all of the parts according to the directions.

Item identification: For ease of identification,all parts are labeled to correspond to the step number in which the part is used.

## **IMPORTANT:**

·Read the following instructions carefully before using the chair.

·Caution: Some components are heavy and contain sharp edges.

·Do not overtighten screws (Insert all screws before tightening them).

·Firmly secure all bolts, screws, and nuts before use.

·Please do not exceed the weight limitations of this item.

·Check and retighten all bolts, screws, and nuts every 90 days.

## **CARE & SAFETY:**

·Always use on firm, level ground.

·Keep all children and pets away from the assembly area. Supervise them during assembly.

·Position the assembled product at least 6 feet (2 m) from obstructions (e.g., fences, walls, overhanging branches, or power lines).



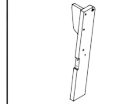
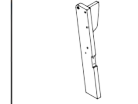
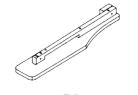
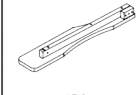

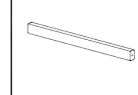

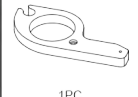

·Do not use or store near open flames or flammable/combustible materials.

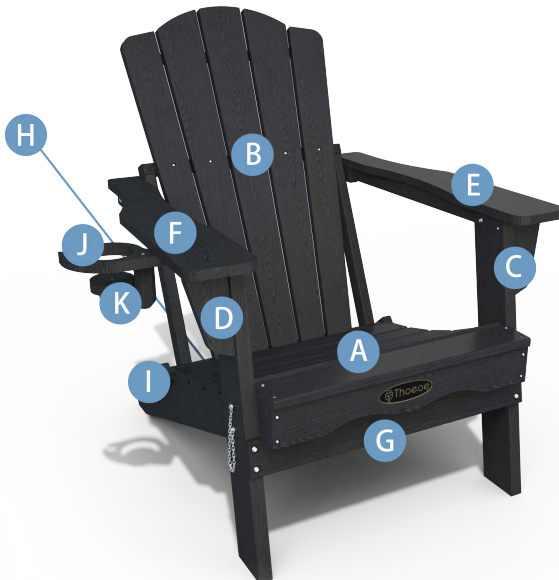
·If fire occurs, do not use water on burning polypropylene.

·Use caution when folding the chair to avoid pinching hands or fingers.










·Contact Customer Service for missing parts or assembly issues.

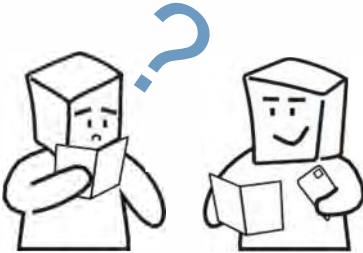
# Parts List

<b>A</b> Chair Seat  1PC	<b>B</b> Chair Backrest  1PC	<b>C</b> Right Chair Leg  1PC	<b>D</b> Left Chair Leg  1PC
<b>E</b> Right Chair Arm  1PC	<b>F</b> Left Chair Arm  1PC	<b>G</b> Front Rail  1PC	<b>H</b> Back Rail  1PC
<b>I</b> Locking Block  2PCS	<b>J</b> Upper Cup holder  1PC	<b>K</b> Lower Cup holder  1PC	



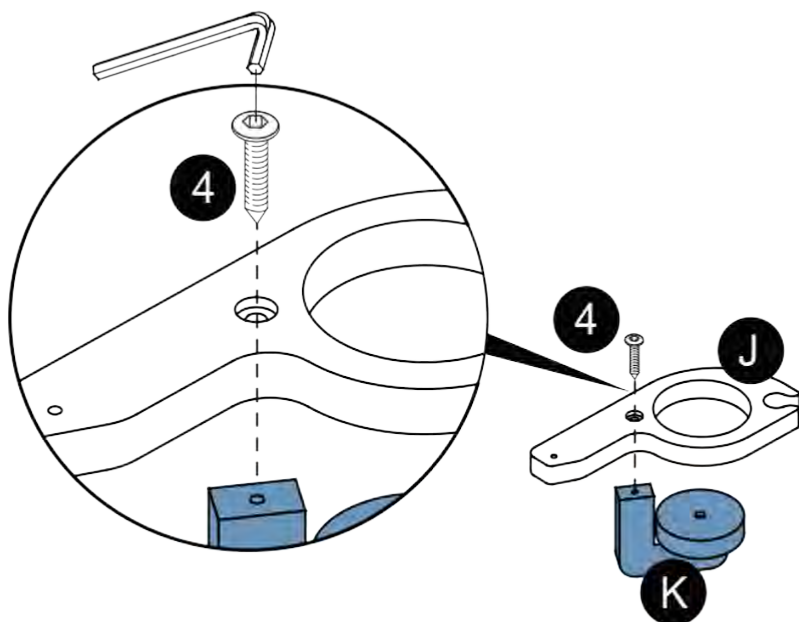
# Hardware List

- |   |   |  |
|---|---|--|
| <p>1</p> <p>M6 x 50mm Bolt</p>  <p>2PCS</p>    | <p>2</p> <p>M6 x 55mm Bolt</p>  <p>4PCS</p>    | <p>3</p> <p>M6 x 85mm Bolt</p>  <p>2PCS</p> |
| <p>4</p> <p>M6.3 x 40mm Screw</p>  <p>6PCS</p> | <p>5</p> <p>M6.3 x 50mm Screw</p>  <p>4PCS</p> | <p>6</p> <p>Washer</p>  <p>8PCS</p>         |
| <p>7</p> <p>M6 Nut</p>  <p>8PCS</p>            | <p>8</p> <p>NO.10 Spanner</p>  <p>1PC</p>      | <p>9</p> <p>Allen key</p>  <p>1PC</p>       |



## STEP 1

Secure part K(Lower cup holder) to part J(Upper cup holder) using hardware4(M6.3 x 40mm Screw).



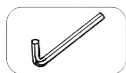
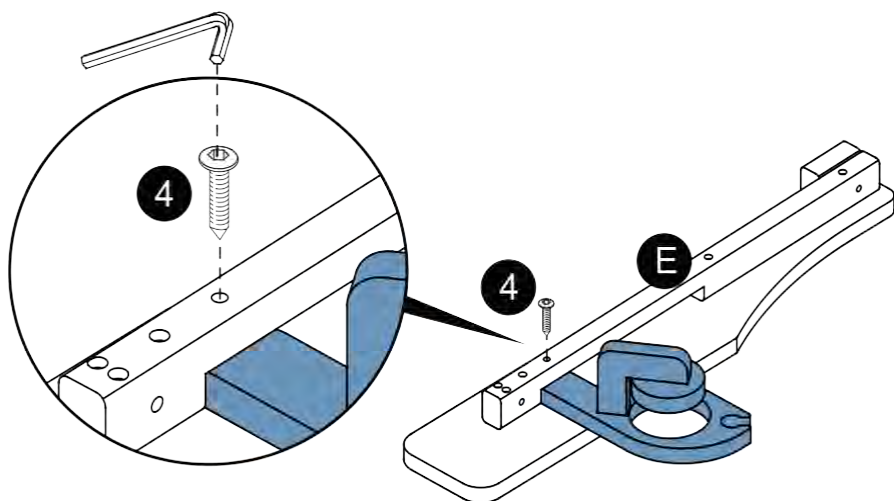
**J** × 1

**K** × 1

**4** × 1

## STEP 2

Secure part E(Right chair arm) to the finished part in step1, using hardware4(M6.3 x 40mm Screw).



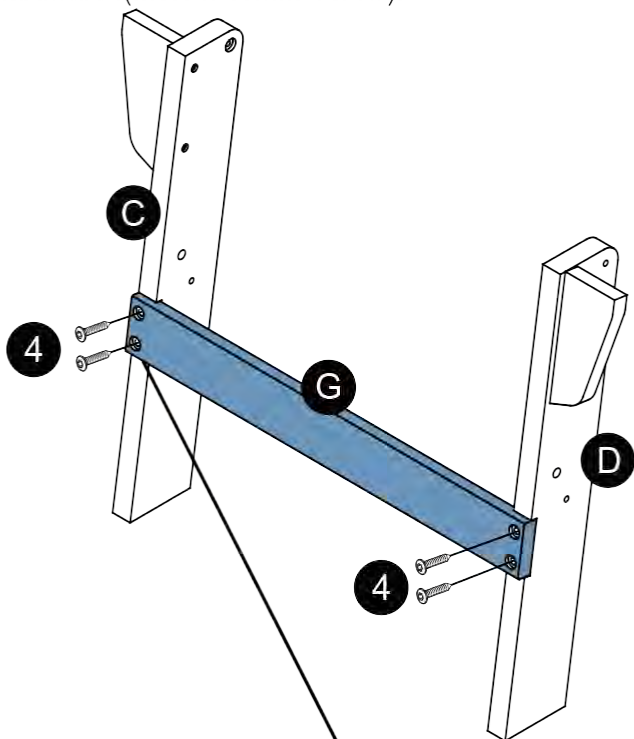
**J** × 1

**E** × 1

**4** × 1

## STEP 3

Secure part G(Front rail) to part C(Right chair leg) & part D(Left chair leg) using hardware 4(M6.3 x 40mm Screw).

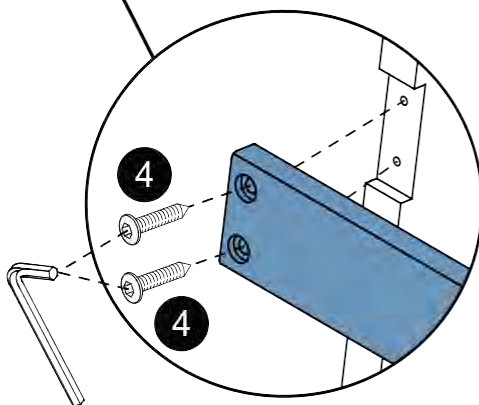


**C** ×1

**D** ×1

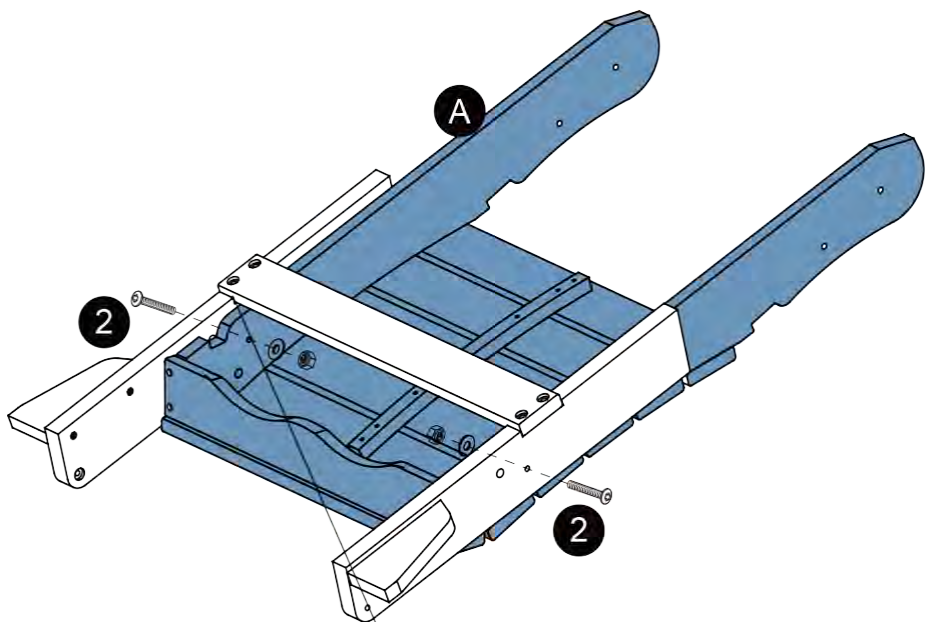
**G** ×1

**4** ×4



## STEP 4

Secure part A(Chair seat) to the finished part in step3,using hardware2(M6 x 55mm Bolt), Hardware6(Washer) and hardware7(M6 Nut).

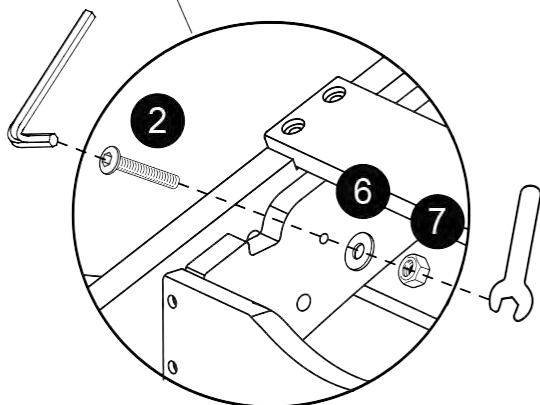


A ×1

2 ×2

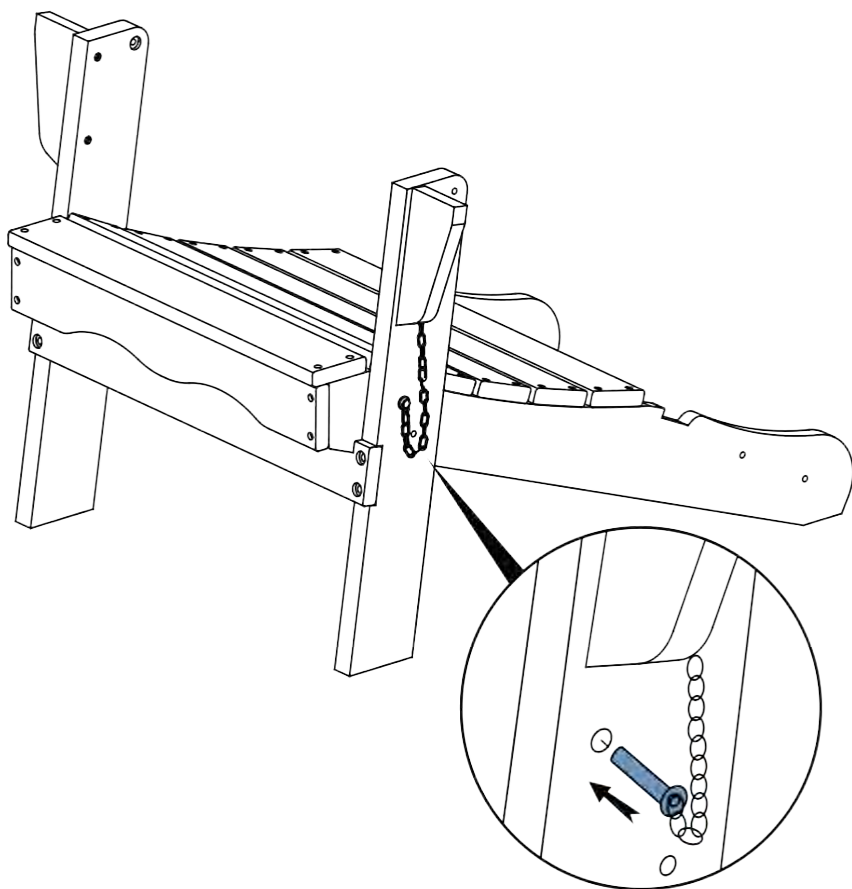
6 ×2

7 ×2



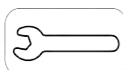
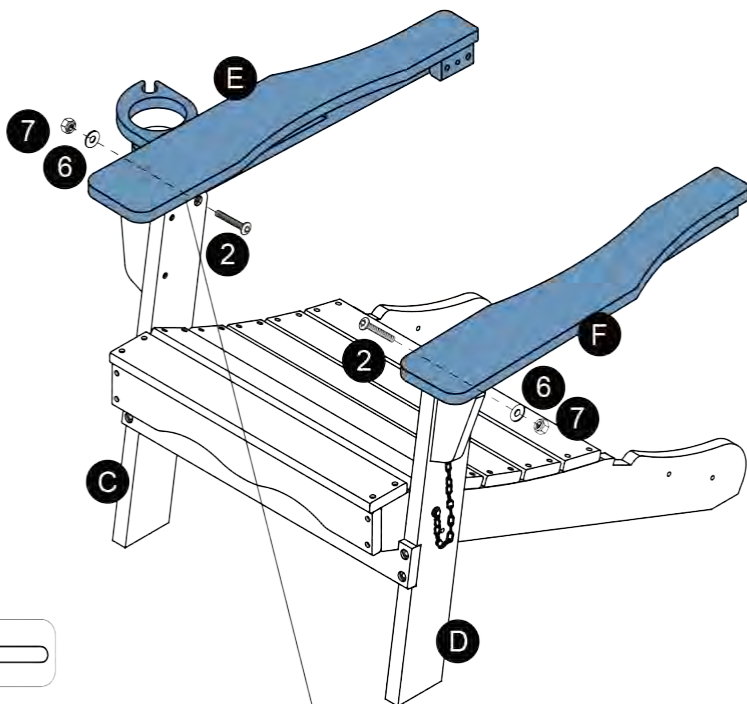
## STEP 5

Insert in the chain bolts.



## STEP 6

Secure part E(Right chair arm) to the right chair leg,and attach part F(Left chair arm) to the left chair leg, using hardware2(M6 x 55mm Bolt), Hardware6(Washer) and hardware7(M6 Nut).



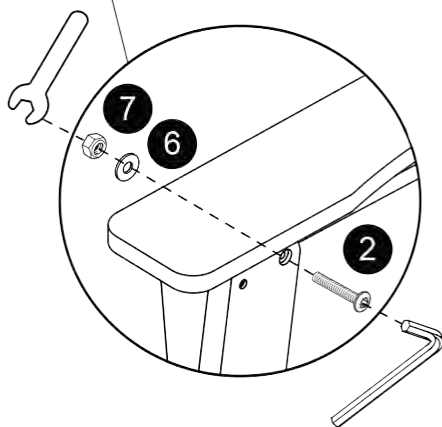
E ×1

F ×1

2 ×2

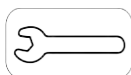
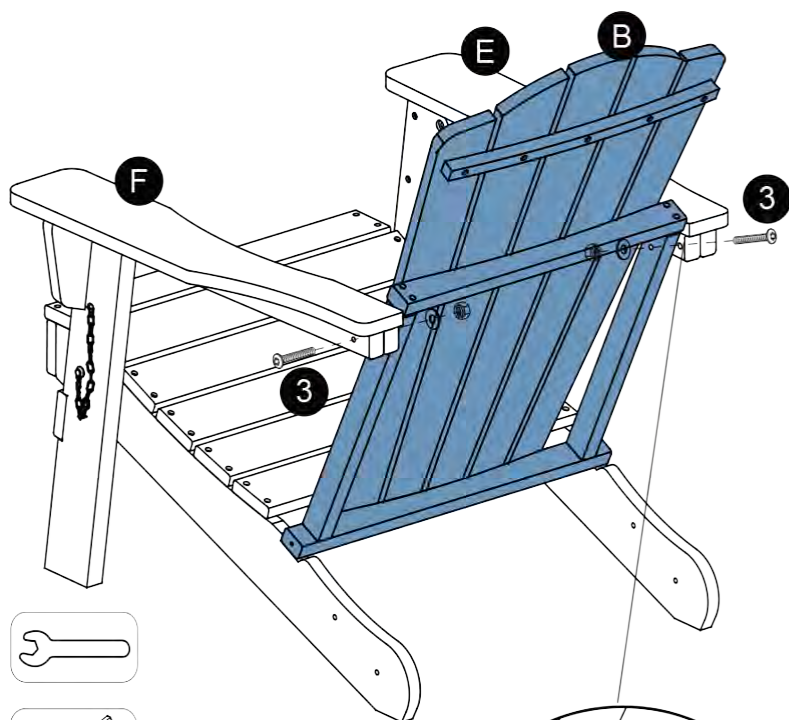
6 ×2

7 ×2



## STEP 7

Attach part B (Chair backrest) to the armrests using hardware 3 (M6 x 85mm Bolt), Hardware 6 (Washer) and hardware 7 (M6 Nut).

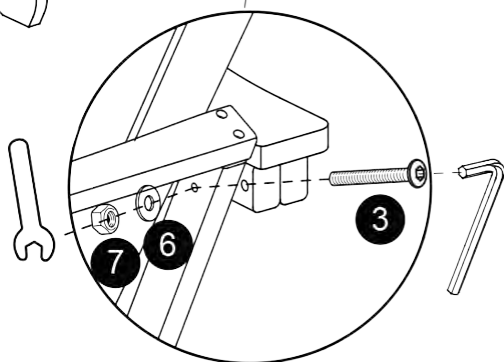


**B** × 1

**3** × 2

**6** × 2

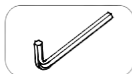
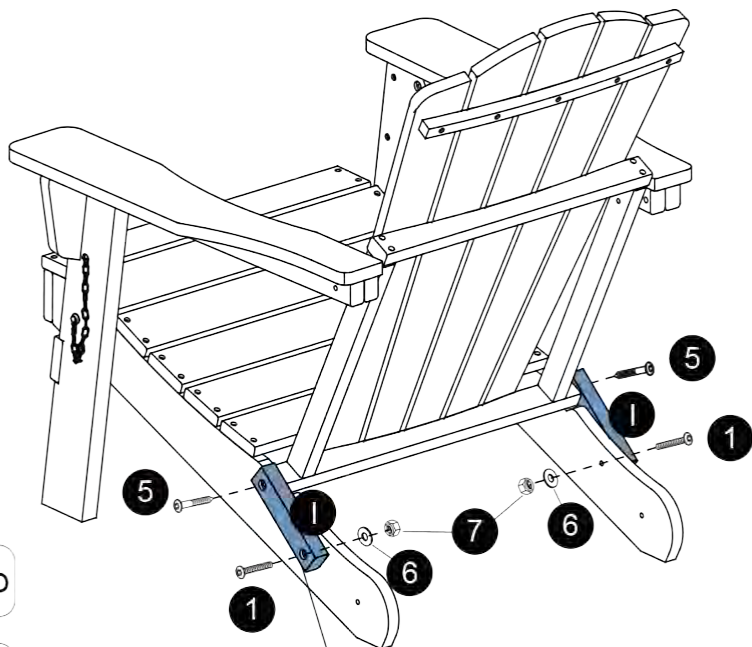
**7** × 2



## STEP 8

Secure the upper hole of part I(Locking block) to the back panel using hardware5(M6.3 x 50mm Screw).

Secure the lower hole of part I(Locking block) to the seat panel using hardware1(M6 x 50mm Bolt), Hardware6(Washer) and hardware7(M6 Nut).



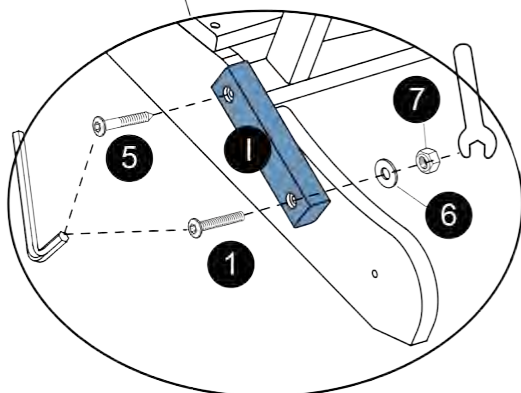
1 × 2

1 × 2

5 × 2

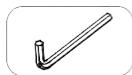
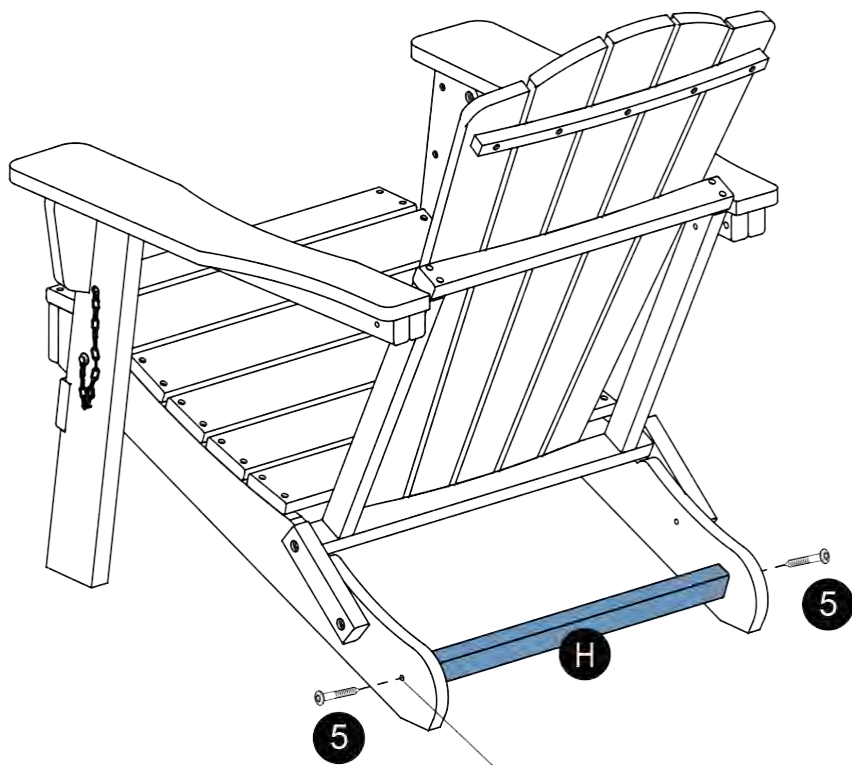
6 × 2

7 × 2



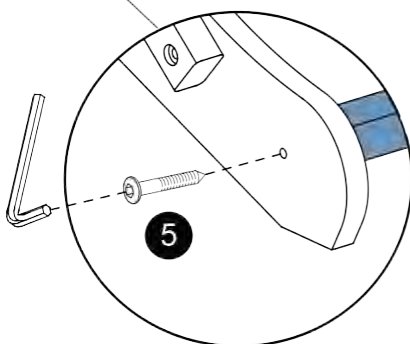
## STEP 9

Secure part H(Back rail) to the seat panel using hardware 5(M6.3 x 50mm Screw)



**H** ×1

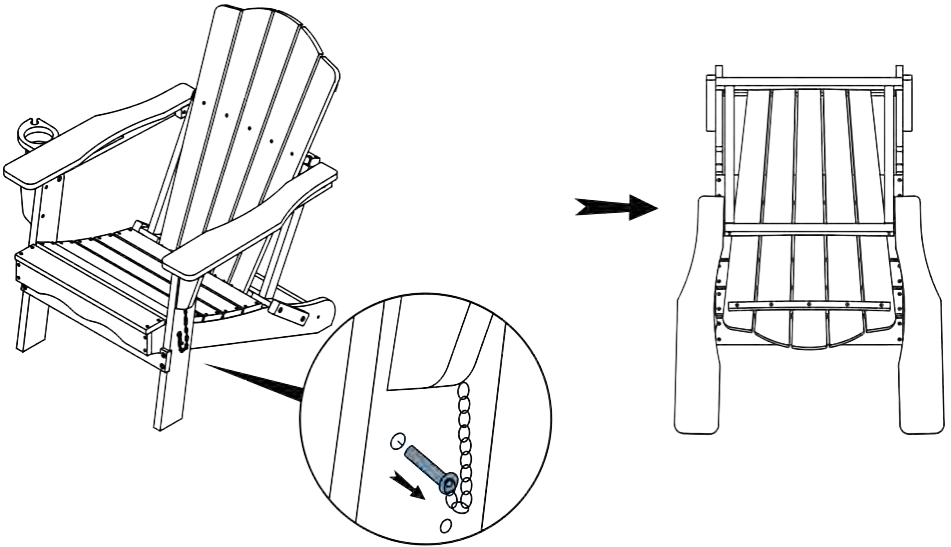
**5** ×2



## STEP 10

How to fold and unfold this recliner chair?

Before you need to fold this chair, please take down the chain bolts from the legs, then fold inwards the chair back and seat gently.



**Please not that, when you need to unfold this chair, open gently, insert the chain bolts into the legs. Before that, you may need to push forward the back a little bit to make sure the holes align**

**INSTALLATION COMPLETED**



**PAY ATTENTION  
DO NOT EXCEED THE MAXIMUM  
LOAD OF 380LBS**

**THANK YOU FOR SHOPPING WITH US!**

**Customer Service Team**

# **WARRANTY**

We provide a basic warranty against defects in materials and workmanship for 2 years from the date of purchase for the product you have purchased. During this period, we will repair or replace defective parts at our sole discretion.

This warranty does not apply to units that have been improperly installed, mishandled, abused, damaged due to user error, or repaired or altered by unauthorized repair companies.

This limited 2-year basic warranty does not cover consequential or incidental damages. The warranty grants specific legal rights that may differ based on state laws, and customers may retain additional rights under applicable legislation.