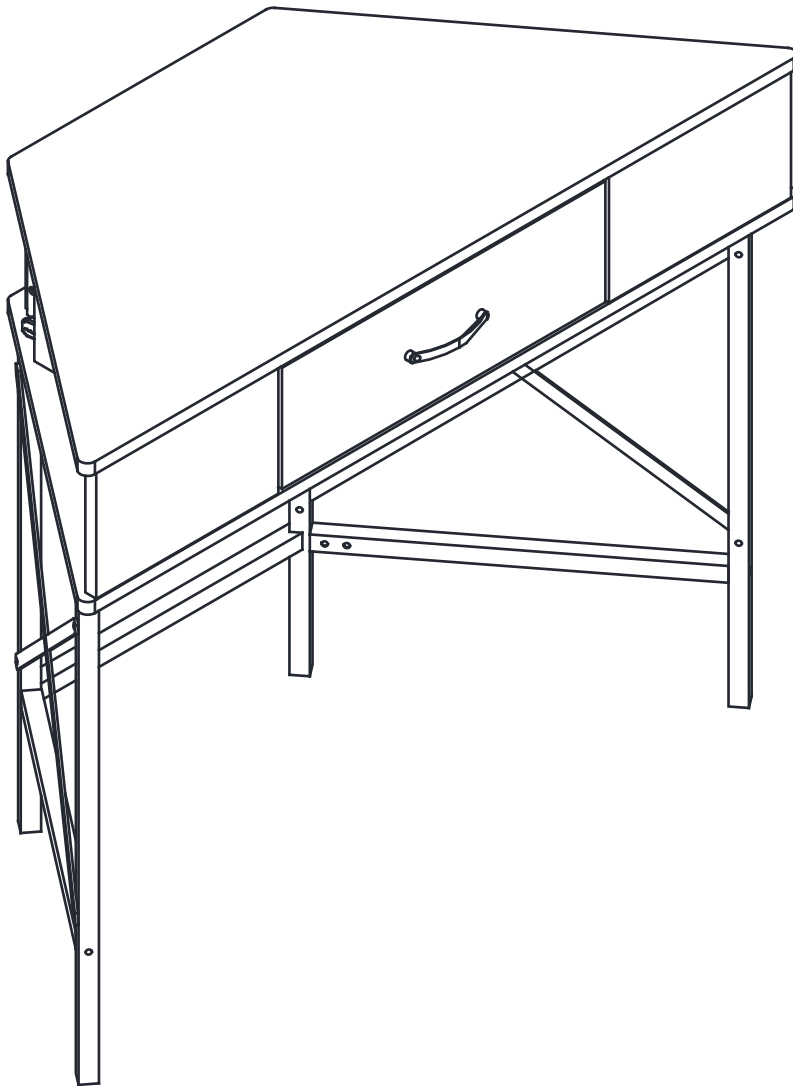


Corner Desk Grey/White

— Instruction manual



CONTENTS

Safety and care advice	1
Components	2
Assembly instructions	5
Copyright	12

⚠ SAFETY AND CARE ADVICE ⚠

PLEASE READ THESE INSTRUCTIONS CAREFULLY AND KEEP FOR FUTURE REFERENCE

Warning: Please lift with care (10kg).

·Check you have all the components and tools listed on pages 2 and 3.

·Remove all fittings from the plastic bags and separate them into their groups.

·Keep children and animals away from the work area, small parts could choke if swallowed.

·Make sure you have enough space to layout the parts before starting.

·Do not stand or put weight on the product, this could cause damage.

·Assemble the item as close to its final position (in the same room) as possible.

·Assemble on a soft level surface to avoid damaging the unit or your floor (use opened out unit carton).



·We do not recommend the use of power drill/drivers for inserting screws, as this could damage the unit. Only use hand screwdrivers.

·Safety note: If there is any chance of this unit being pulled over by children etc. it is recommended that the unit is secured to a wall using suitable fixings .

·Dispose of all packaging carefully and responsibly.

CARE AND MAINTENANCE

·Only clean using a damp cloth and mild detergent, do not use bleach or abrasive cleaners.

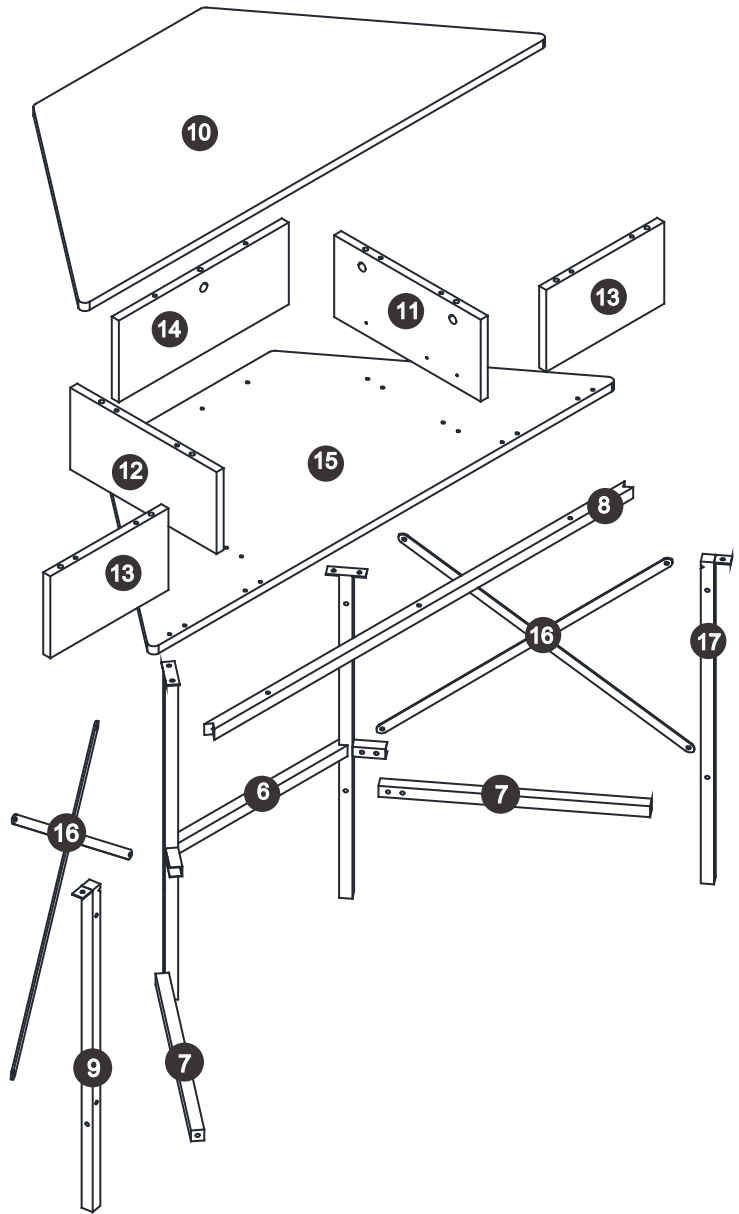
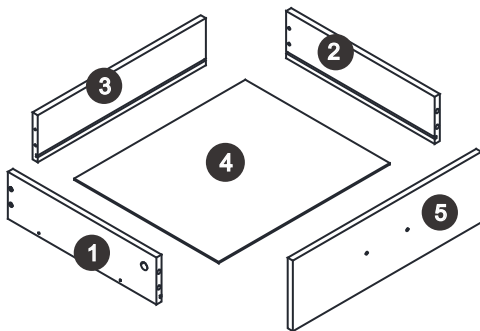
·From time to time check that there are no loose screws on this unit.

·This product should not be discarded with household waste. Take to your local authority waste disposal center.

Note : If required the next page can be cut out and used as reference throughout the assembly. Keep this page with these instructions for future reference

COMPONENTS

Ensure the following components are in the box before proceeding with assembly:



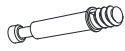
PANEL LIST

1	Drawer Left Side Panel	x1	10	Top Panel	x1
2	Drawer Right Side Panel	x1	11	Right Side Panel	x1
3	Drawer Back Panel	x1	12	Left Side Panel	x1
4	Drawer Base Panel	x1	13	Left/Right Panel	x2
5	Drawer Front Panel	x1	14	Back Panel	x1
6	Back Metal Frame	x1	15	Bottom Panel	x1
7	Right/Left Metal Tube	x2	16	Cross Metal Brace	x2
8	Front Metal Tube	x1	17	Right Metal Tube	x1
9	Left Metal Tube	x1			

COMPONENTS — FITTINGS

Please check you have all the fittings listed below:

A



Peg M6*34mm x11

B



Lock M15*12mm x11

C



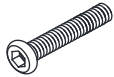
Dowel M6*30mm x22

D



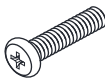
Screw M3*12mm x12

E



Bolt M6*45mm x2

F



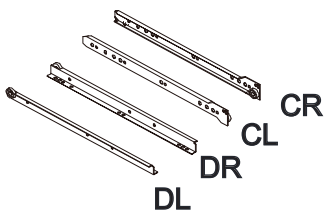
Bolt M6*40mm x2

G



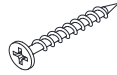
Bolt M6*10mm x20

H



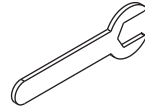
Drawer Runner x1

I



Screw M4*30mmx16

J



Wrench x1

K



Bolt M4*16mmx2

L



Handle x1

M



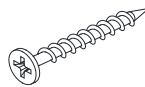
Nut x2

N



Allen Key x1

O



Screw M4*40mm x1

P



Plastic Anchor x1

Q



Wall Fixing Strip x1

R

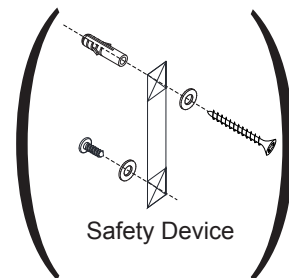


Screw M4*14mm x1

S



Grommet x2

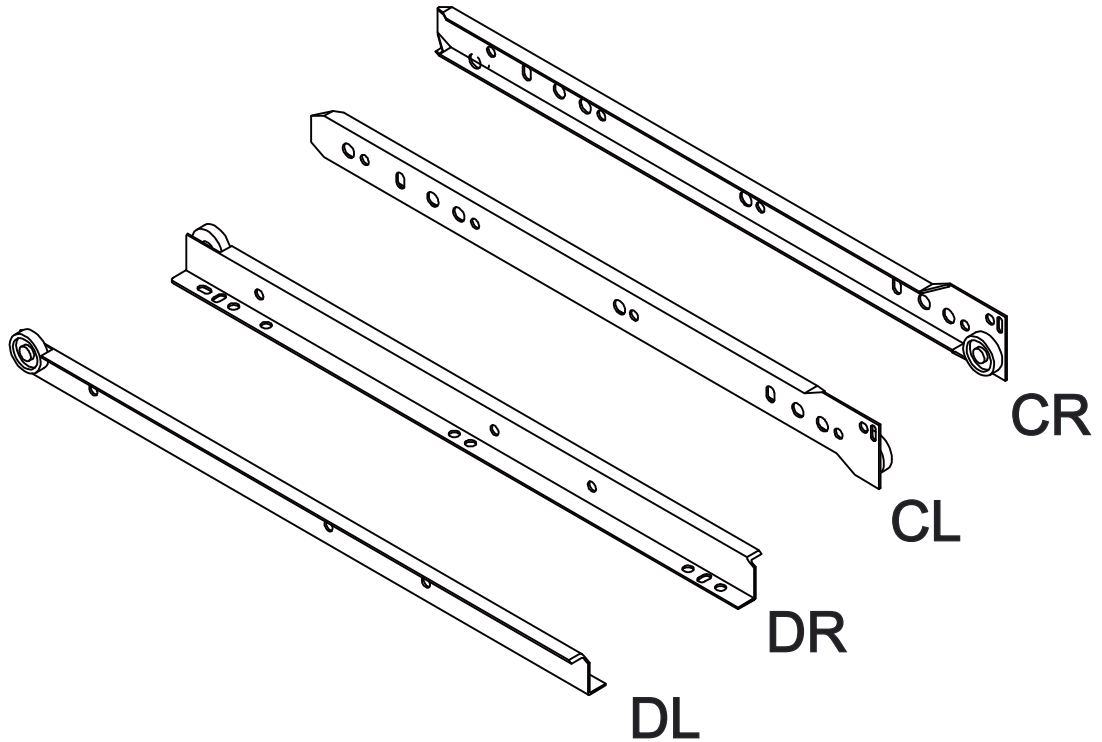


Safety Device

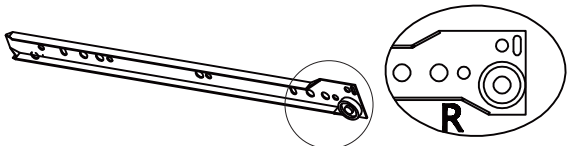
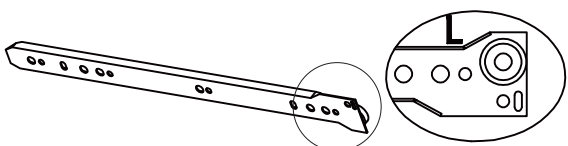
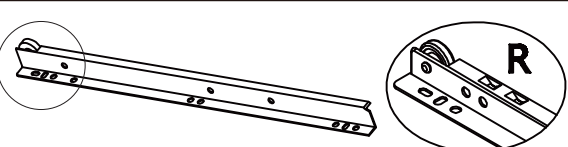
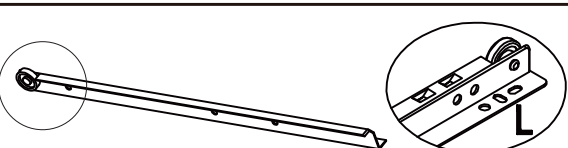


DRAWER RUNNER INSTRUCTION

⚠ IMPORTANT - Please read carefully.
1 pair of drawer runners includes 4 pieces.

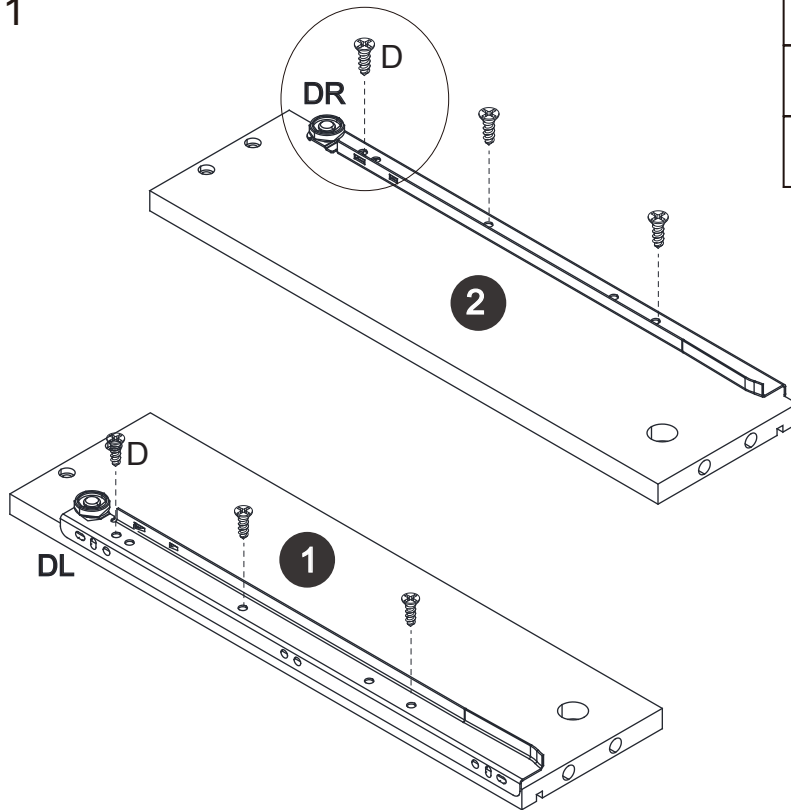





Fittings (not to scale)

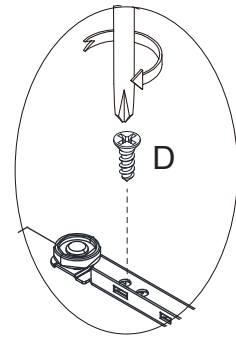
No.	Description	Qty	
CR	Outer Drawer Runner - Right	1	
CL	Outer Drawer Runner - Left	1	
DR	Inner Drawer Runner - Right	1	
DL	Inner Drawer Runner - Left	1	

ASSEMBLY INSTRUCTIONS

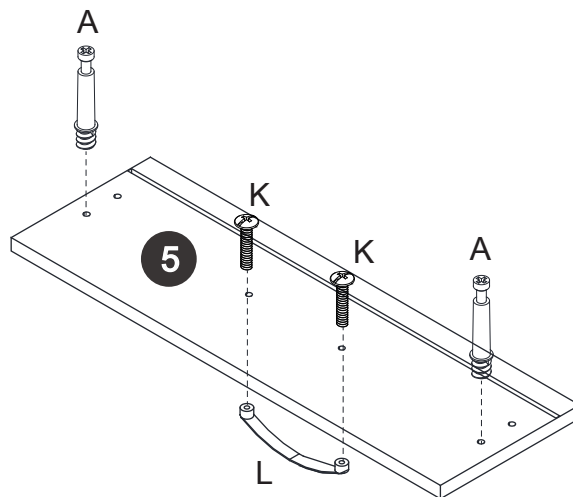
Step 1






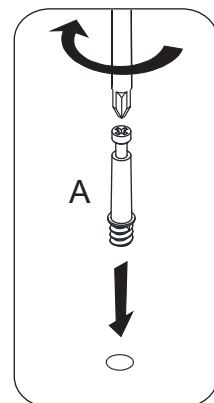
D		6
DL		1
DR		1



Step 2




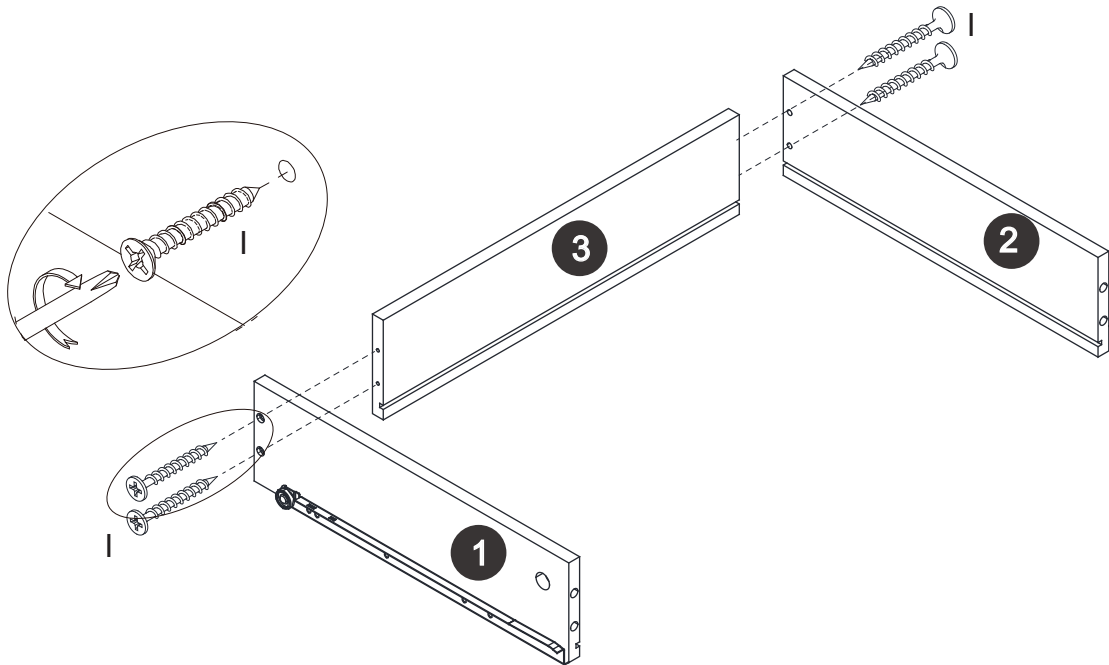
A		2
K		2
L		1





ASSEMBLY INSTRUCTIONS

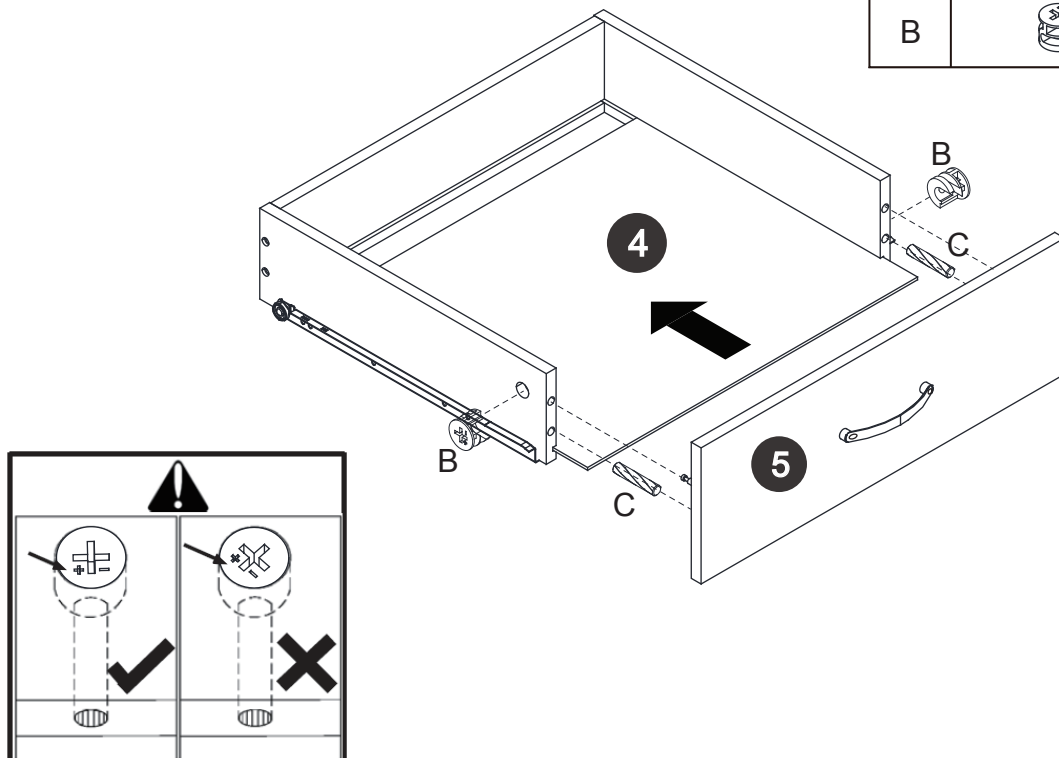
Step 3

I		4
---	---	---




Step 4

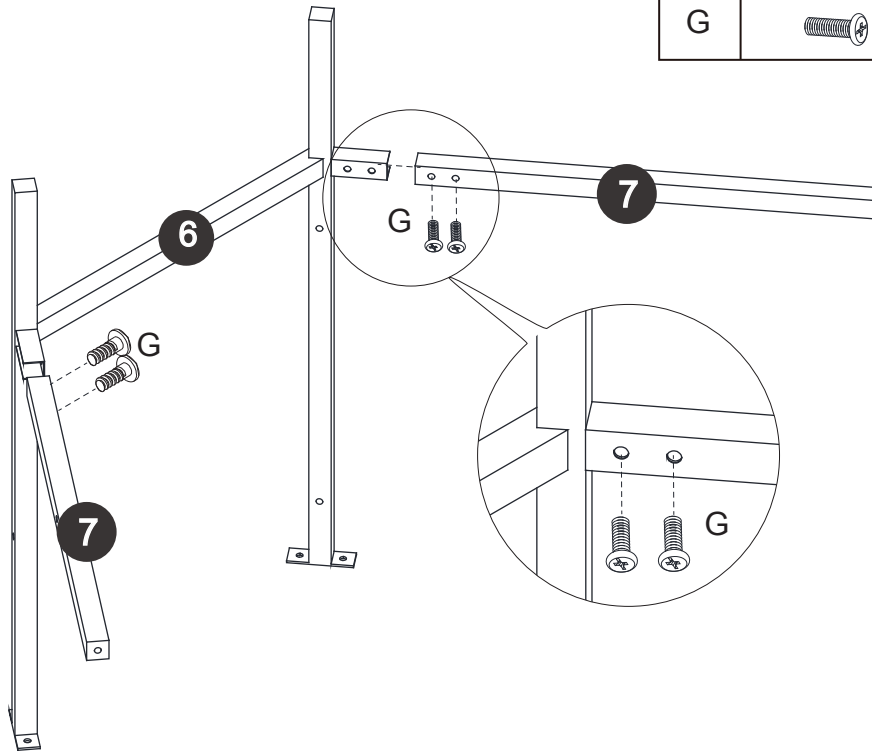
C		2
B		2





ASSEMBLY INSTRUCTIONS

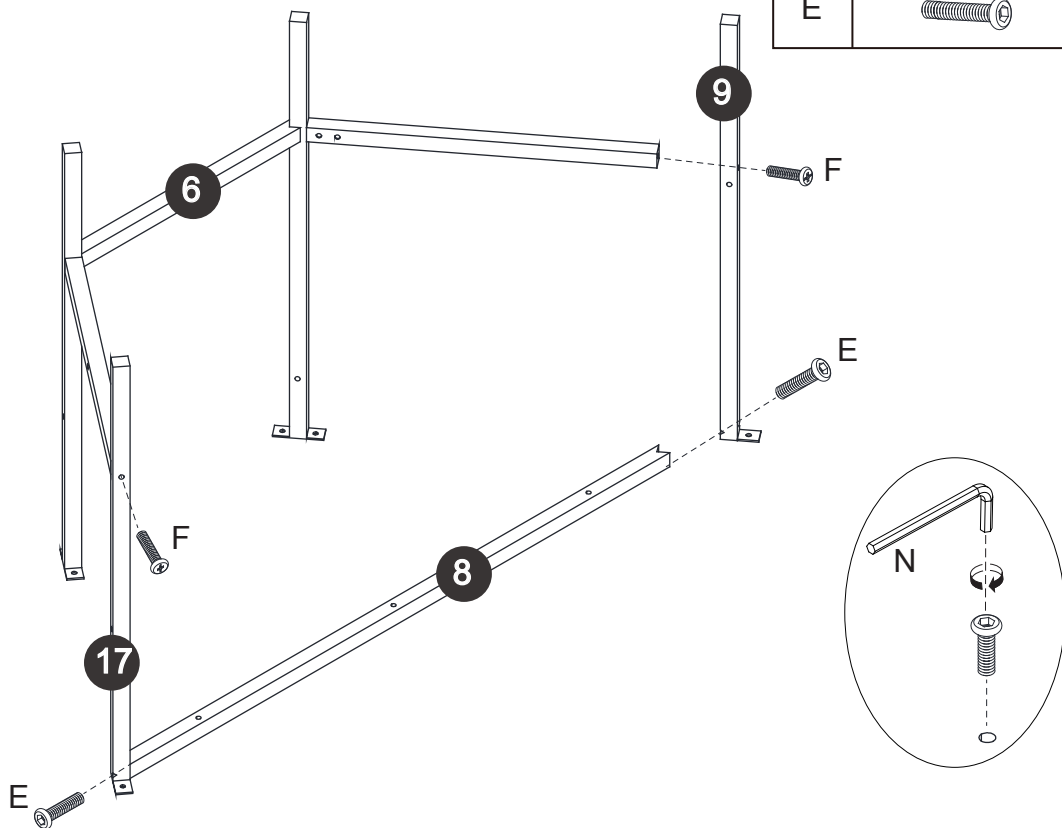
Step 5

G		4
---	---	---




Step 6

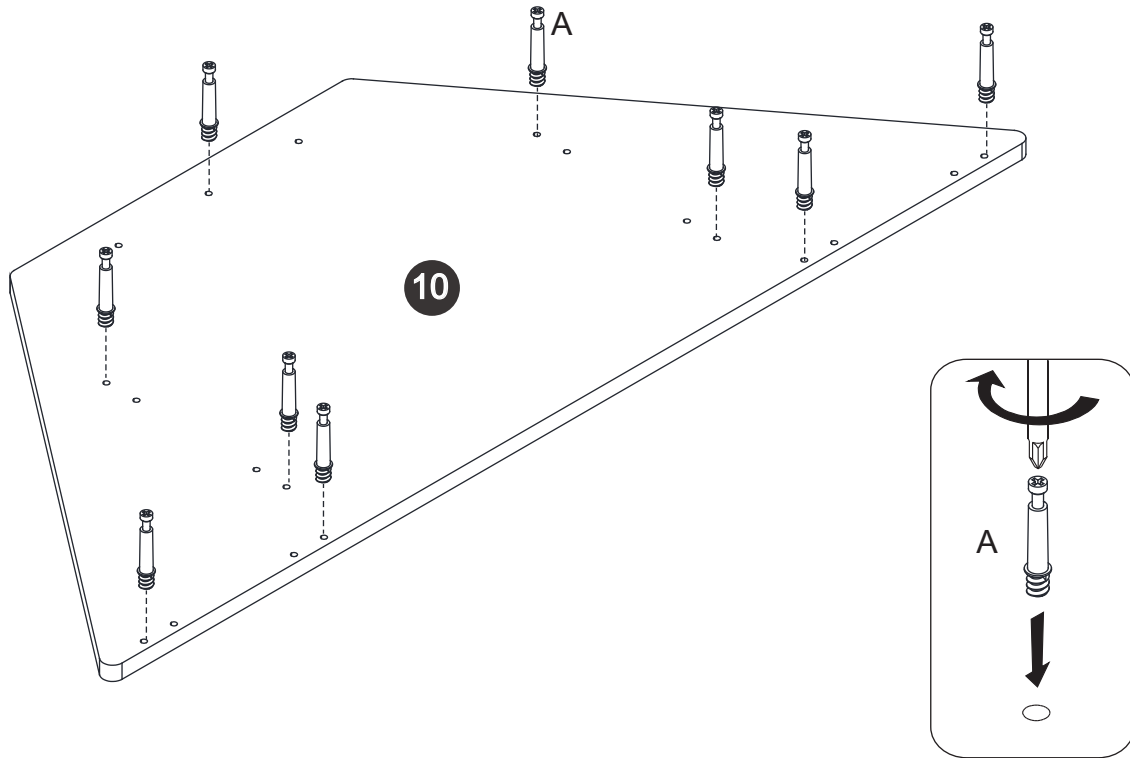
F		2
E		2






ASSEMBLY INSTRUCTIONS

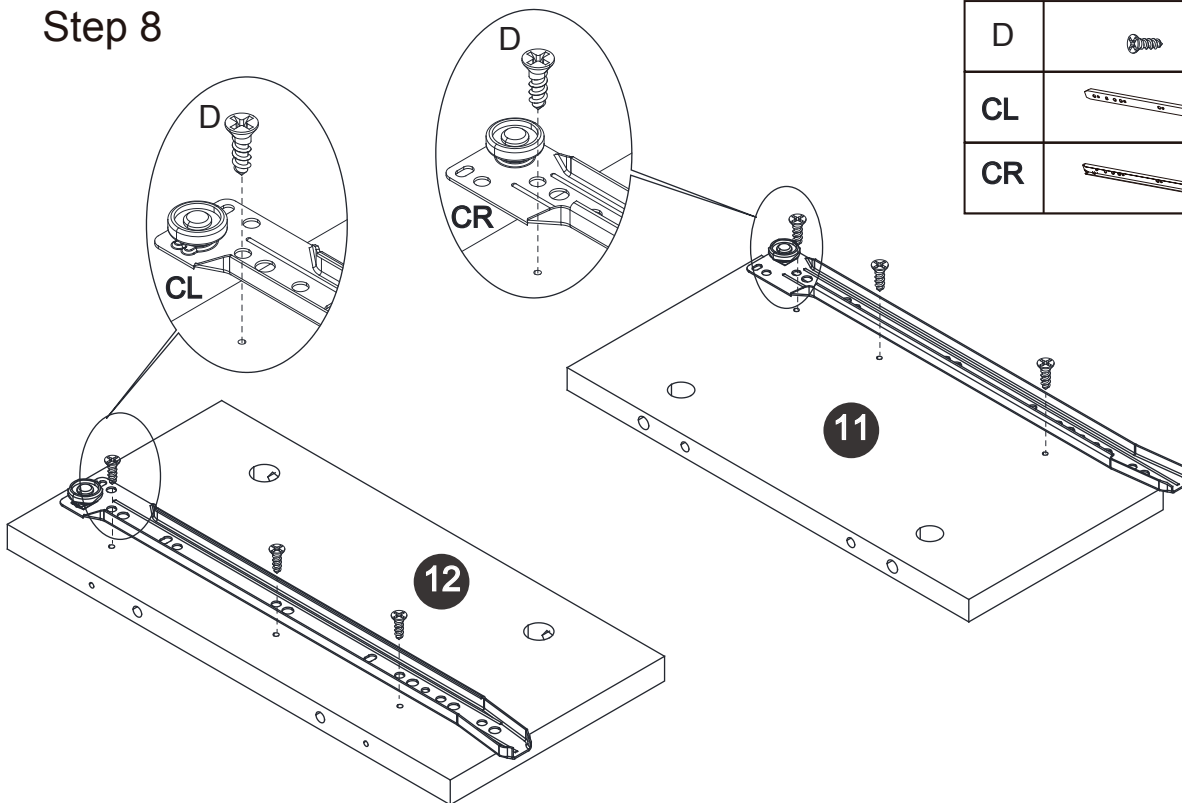
Step 7

A		9
---	---	---



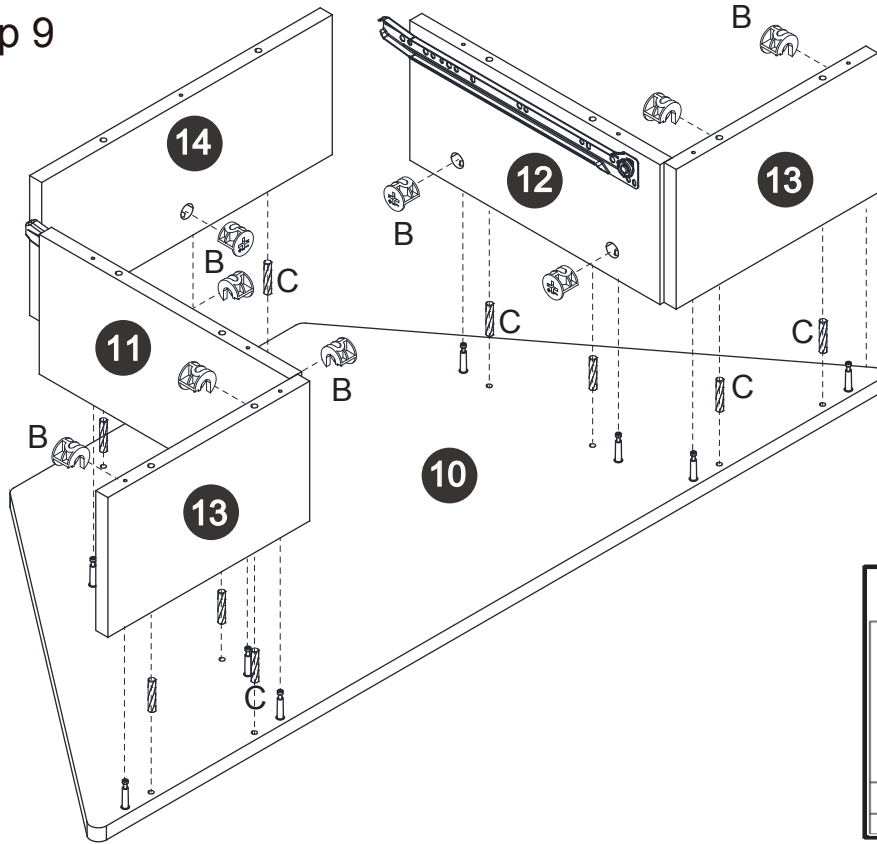
Step 8



D		6
CL		1
CR		1

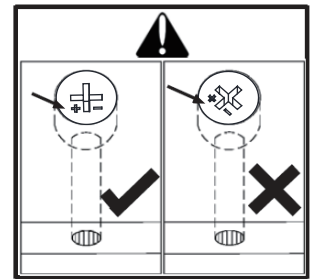


ASSEMBLY INSTRUCTIONS

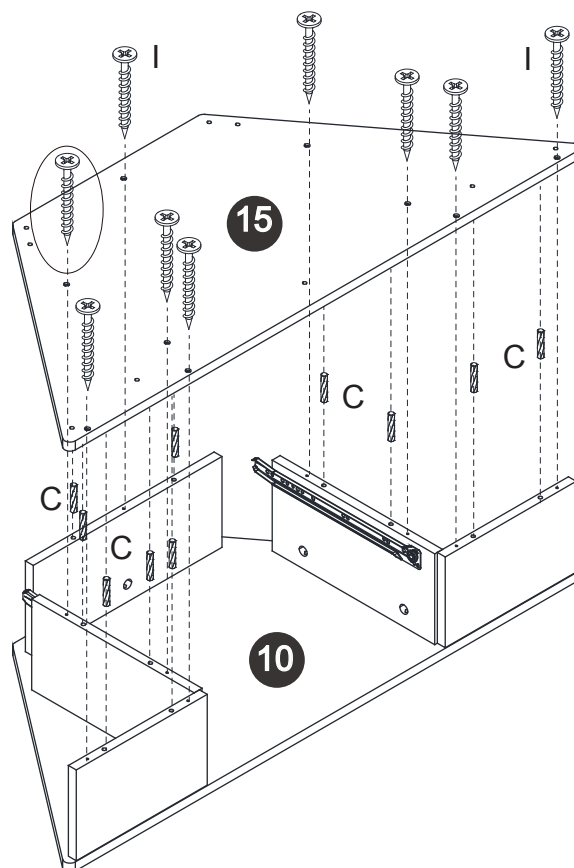
Step 9

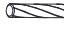



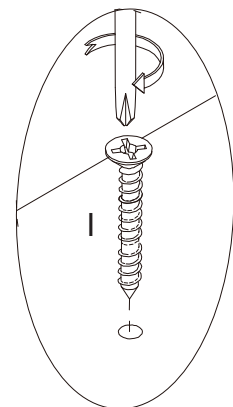
C		10
B		9



Step 10

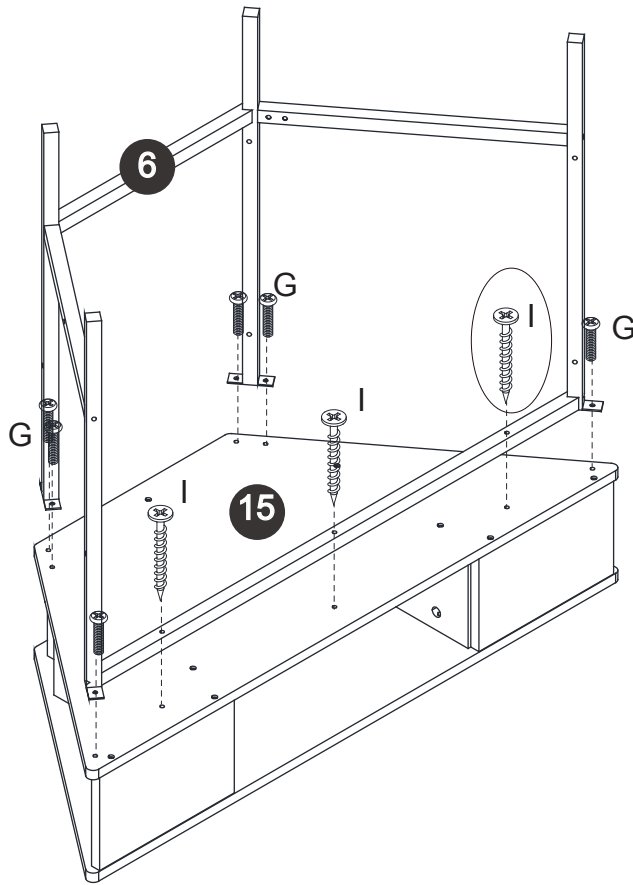




C		10
I		9

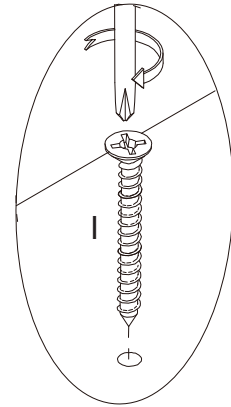


ASSEMBLY INSTRUCTIONS

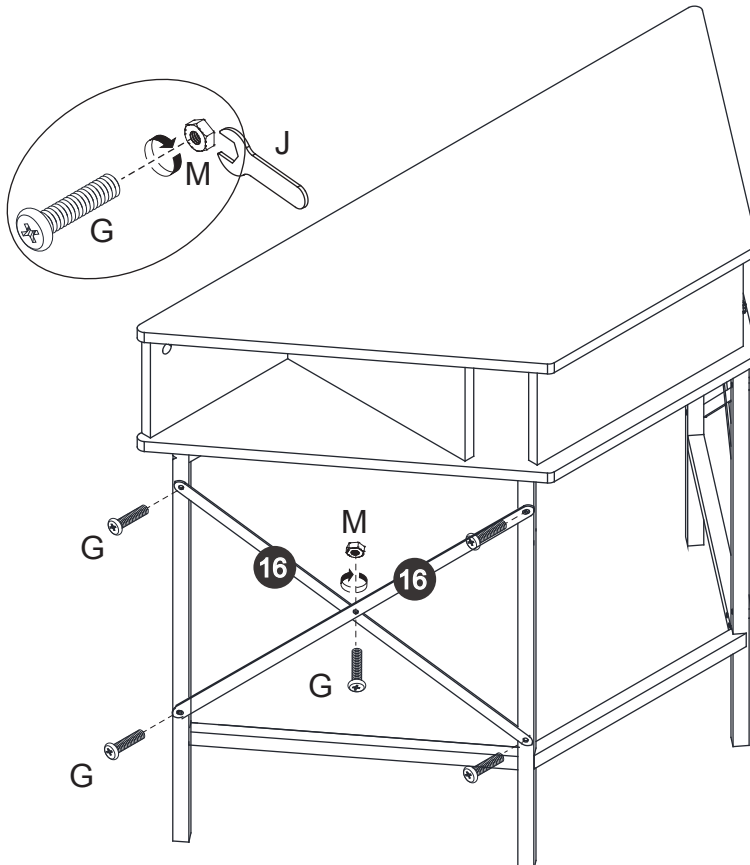
Step 11





G		6
I		3



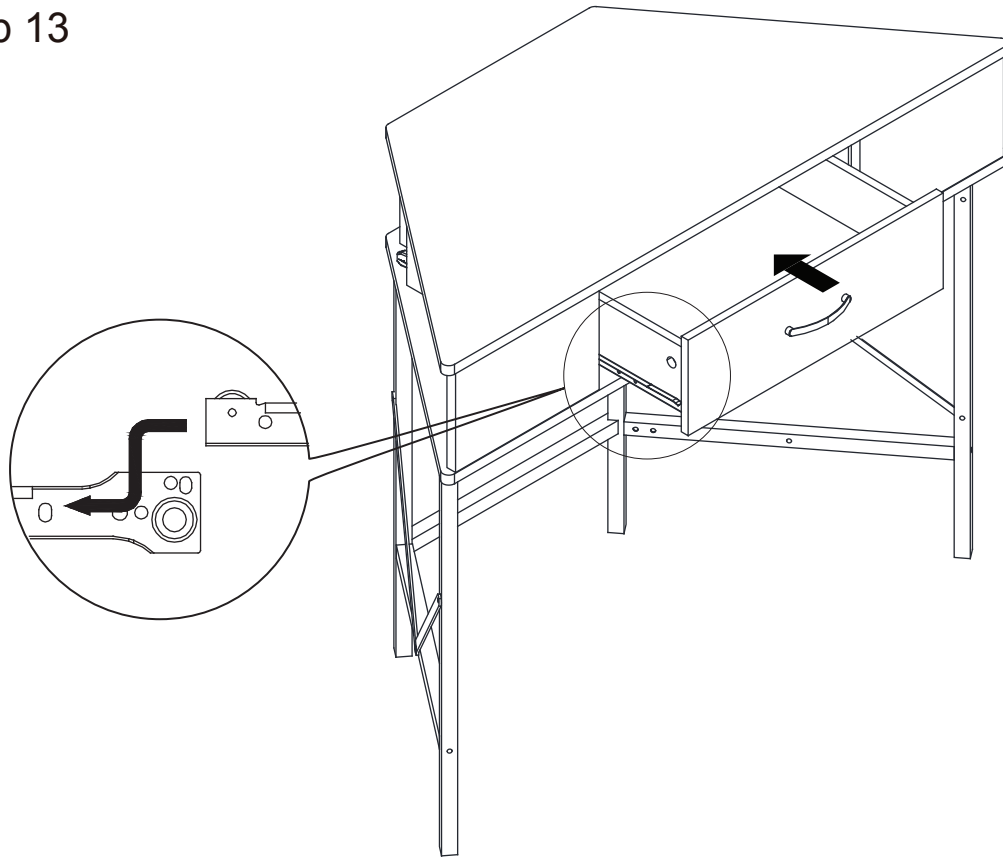
Step 12



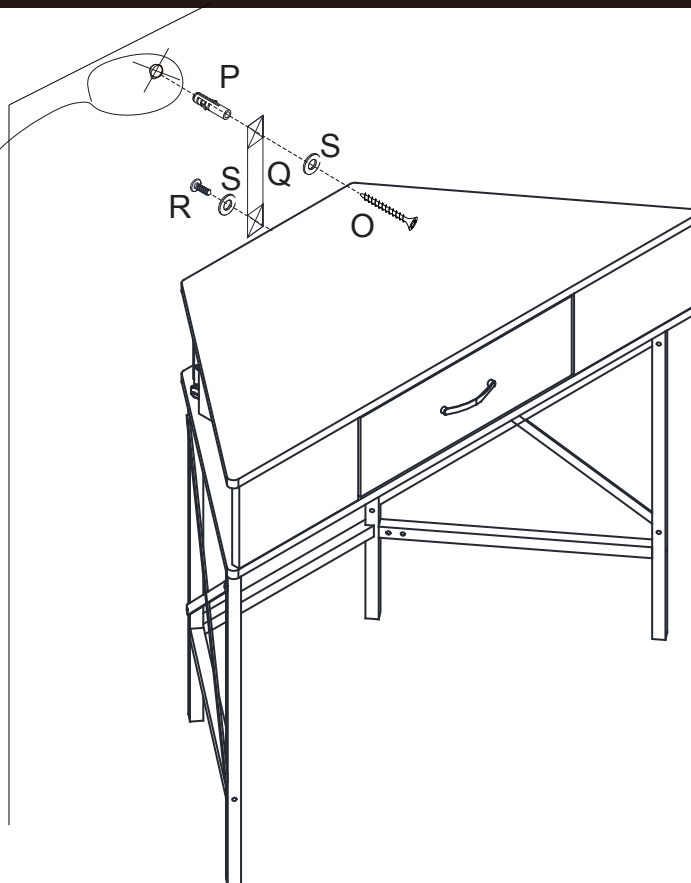
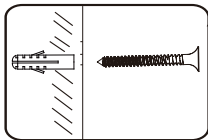
G		10
M		2






ASSEMBLY INSTRUCTIONS

Step 13



Step 14



O		1
P		1
Q		1
R		1
S		2

IF YOU FIND A DEFECTIVE PART

We fully stock all parts and components. Any defective part can be quickly replaced. Take note of the defective part number in manual and we will arrange a quick replacement.

COPYRIGHT

All material in this instruction manual is copyrighted .

Any unauthorised use may violate world wide copyright, trademark and other laws.