

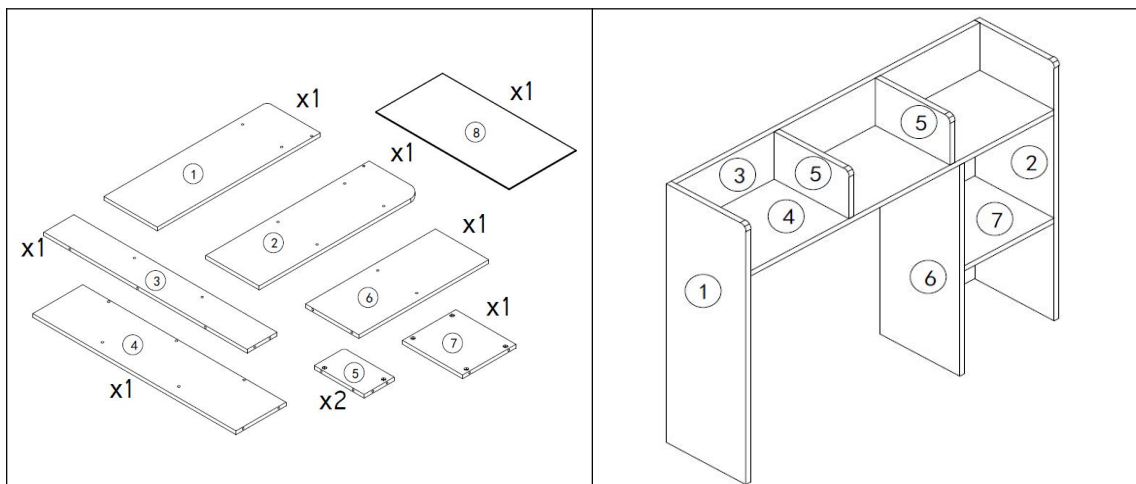
Classic Dorm Desk Bookshelf----Assembly Instruction

Preparation checklist:






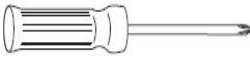
- Carefully check that you have all the components prior to assembly.
- Unpack and assemble it on a clean, flat, protective surface in the room it will be used.
- We recommend that the packaging is used to protect the surfaces during assembly.
- It may be necessary to tighten any fittings from time to time depending on use, this is normal with flat pack furniture.
- Save all packing material until assembly is complete to avoid accidentally discarding smaller parts or hardware.
- Please clean the product using either a damp (not wet) cloth and a mild domestic soap solution or by using an appropriate polish.
- Do not use abrasive materials when cleaning.

Part list

NOTE: Lay all parts on a soft protected surface



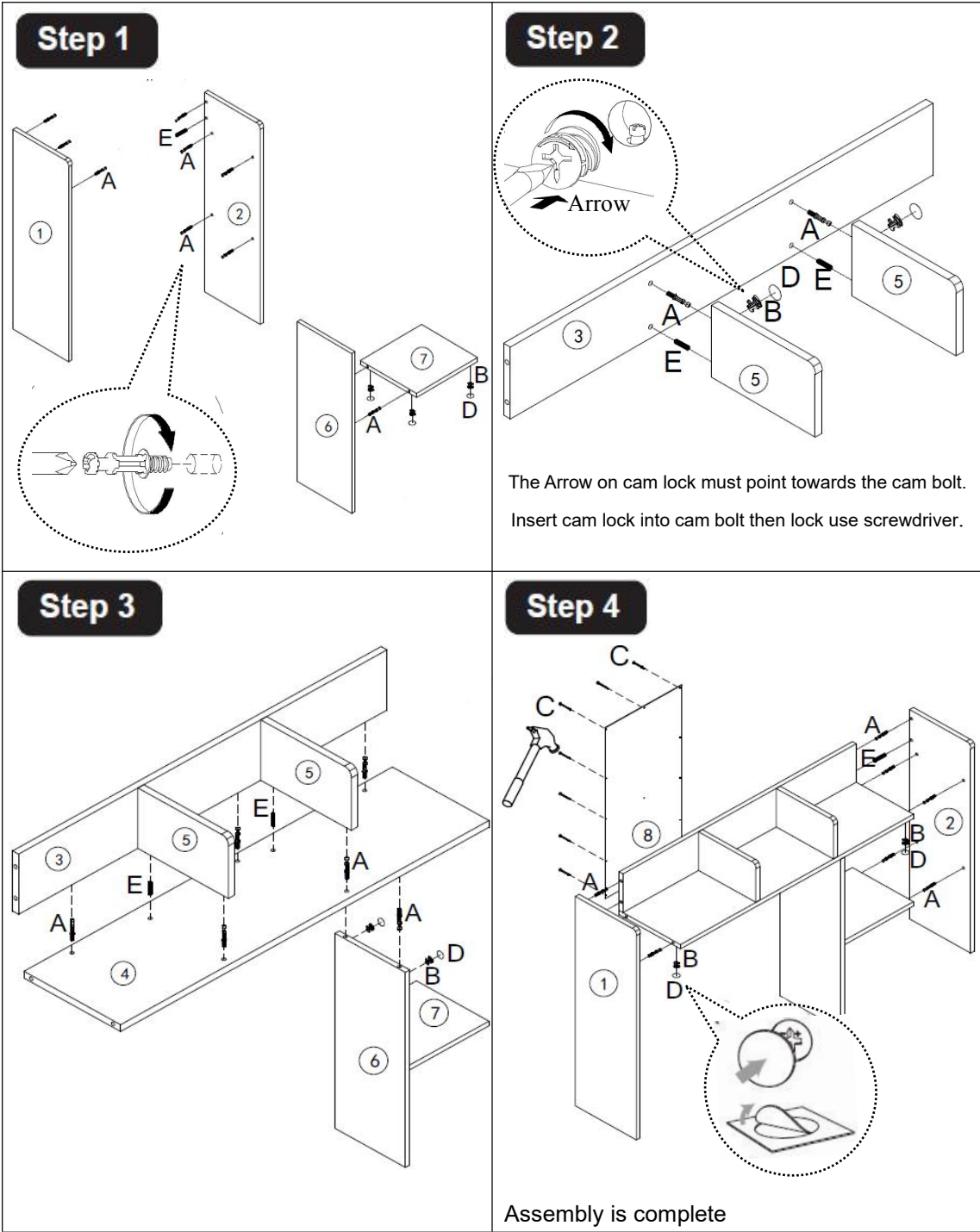
Fitting list

 Cam Bolt - 19 pcs(A)	 Cam Lock - 19 pcs(B)	 Nail - 12 pcs(C)
 Adhesive Pad - 19 pcs(D)	 Dowel - 6 pcs(E)	 Screwdriver-1pcs

Additional tools required



Hammer



By Yak About It Brands
 Made in China
 Copyright © 2020 Yak About It , LLC