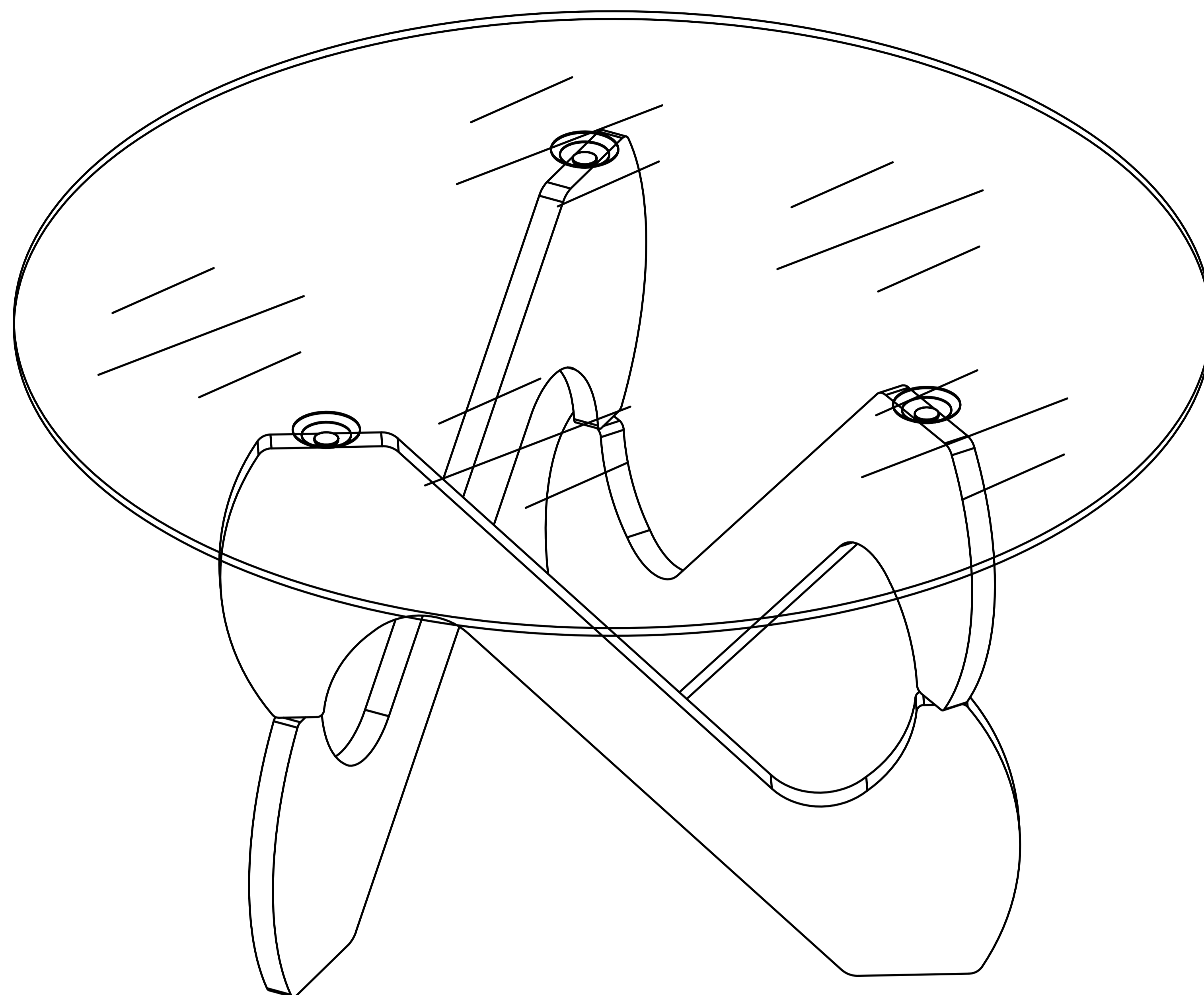
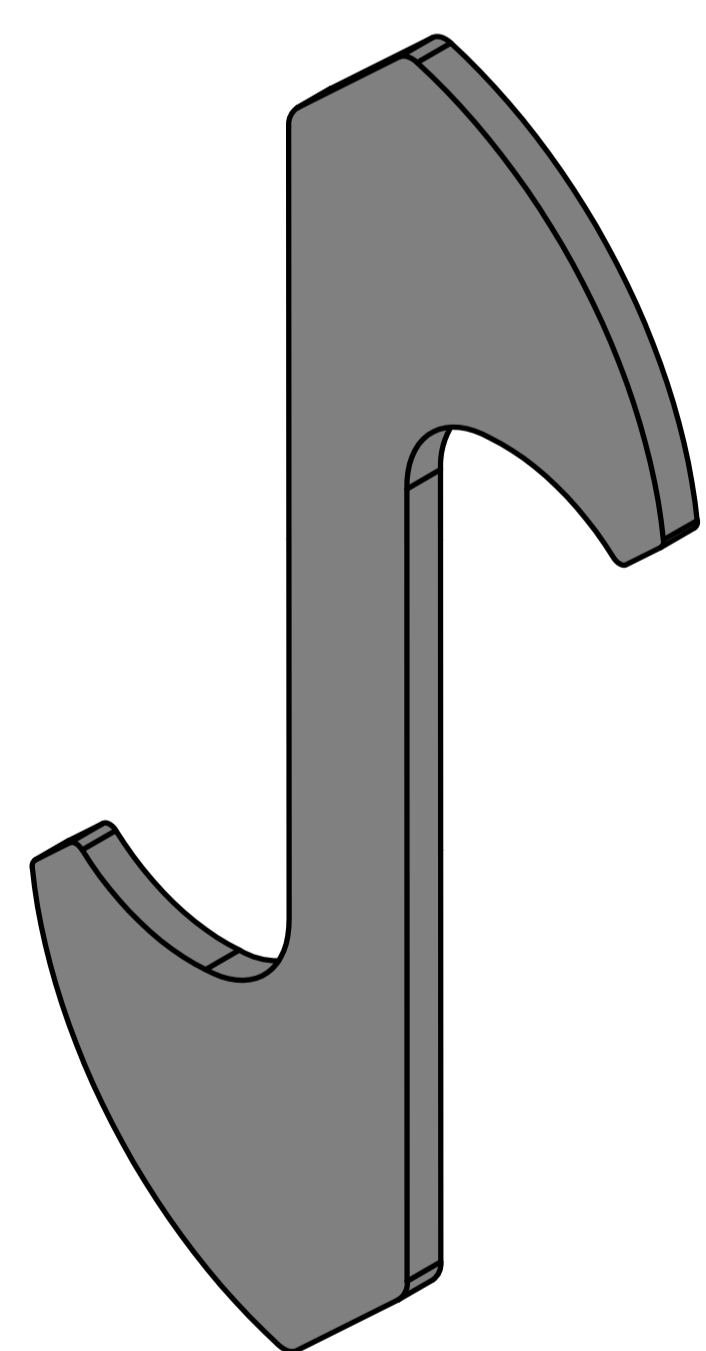


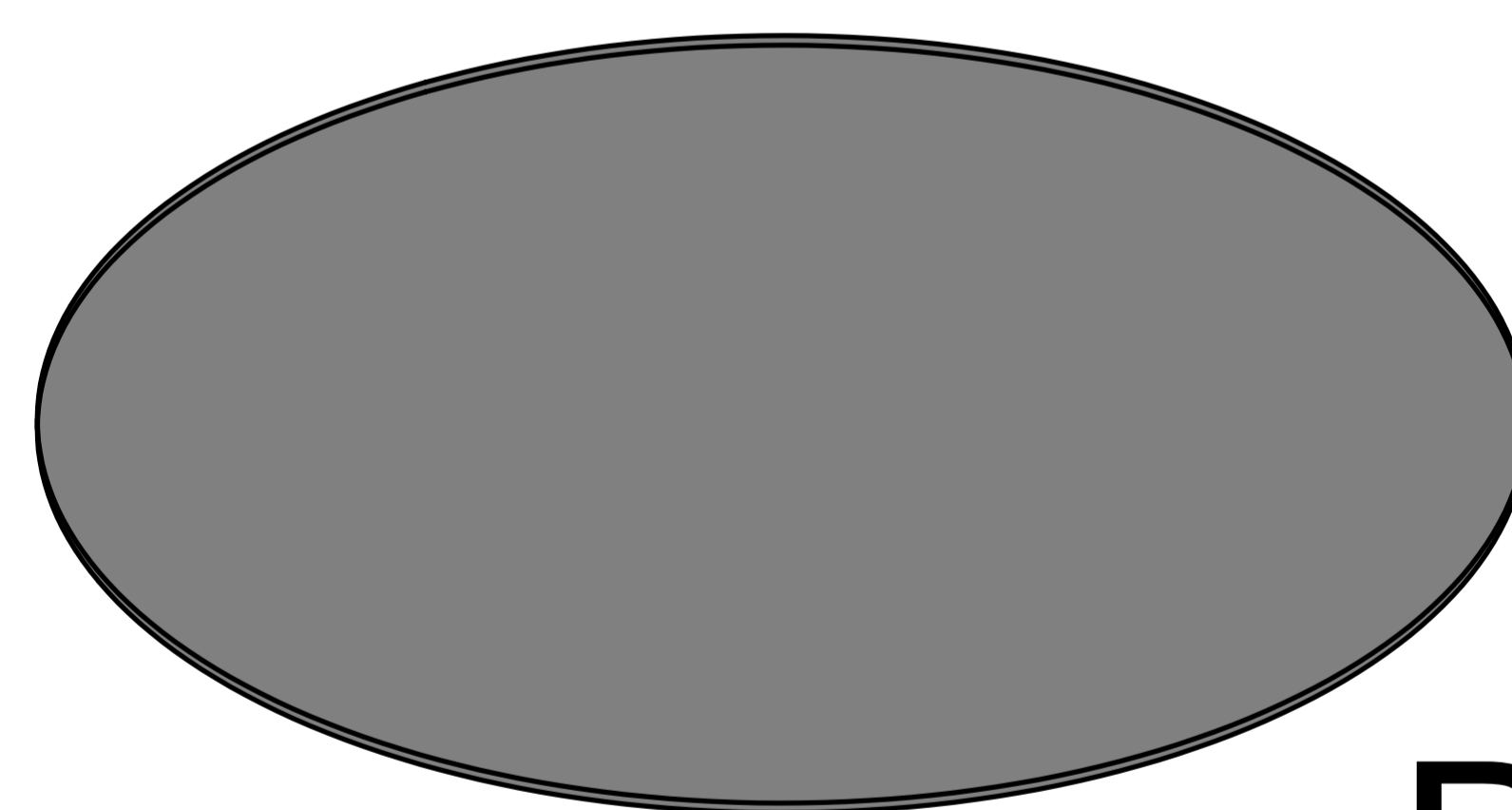
Product Installation Instructions



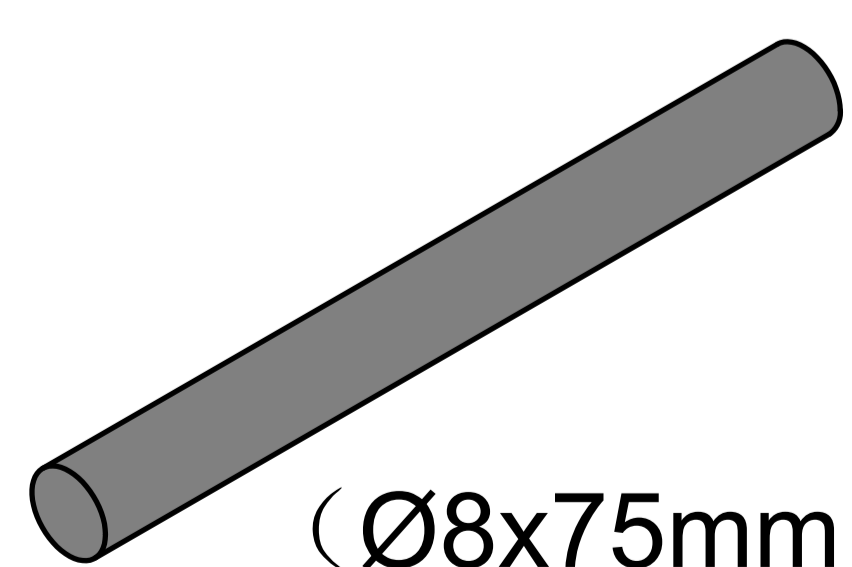
Accessories list



A x3



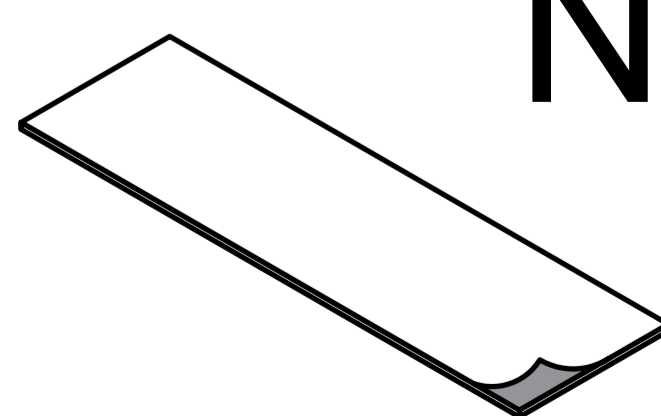
B x1



(Ø8x75mm)

iron latch

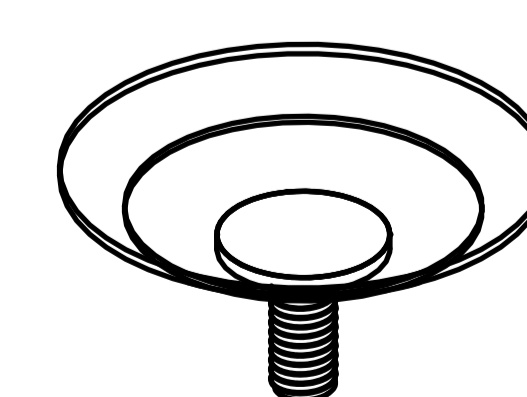
① 3pcs



(50x10mm)

Non-slip pads

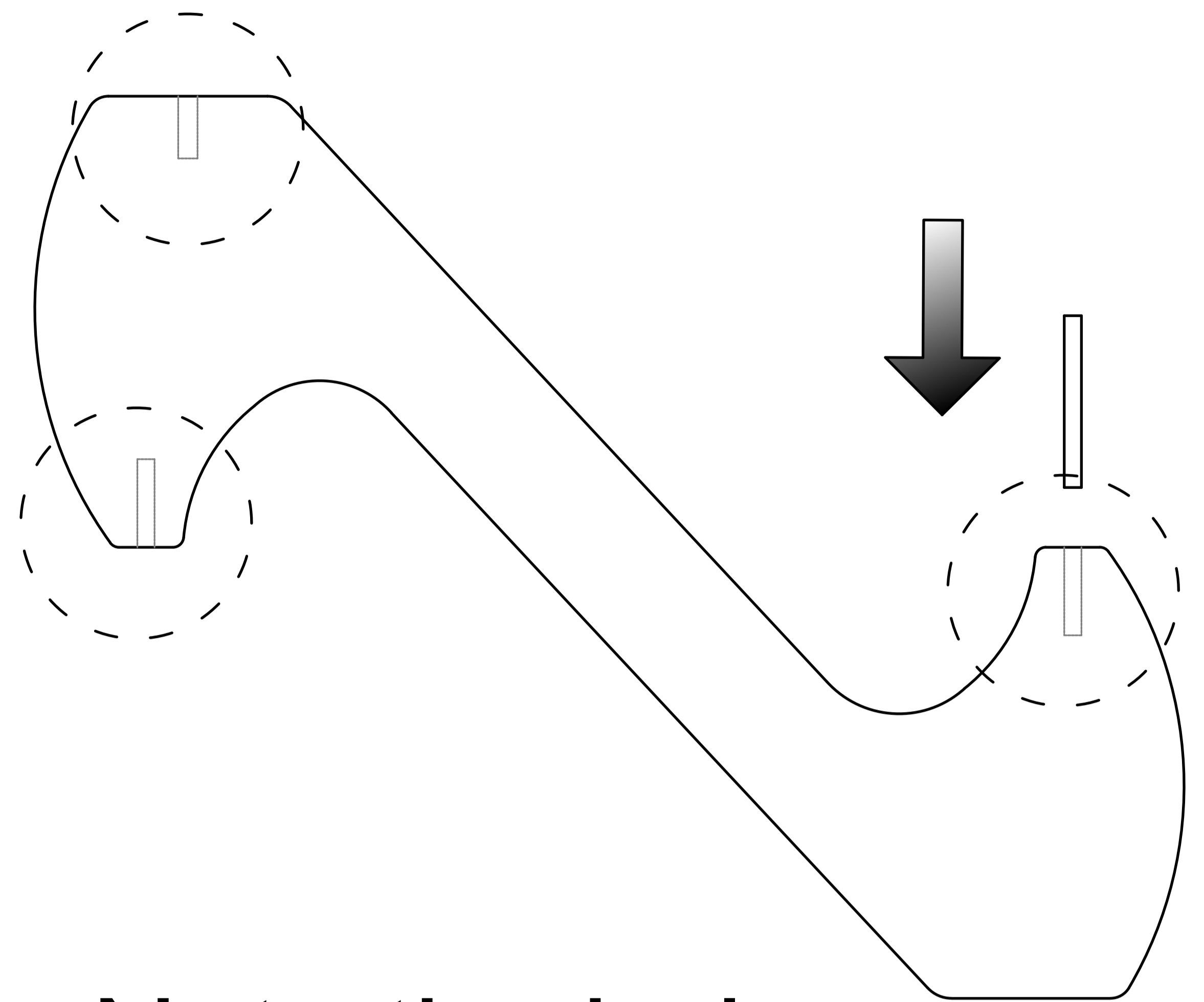
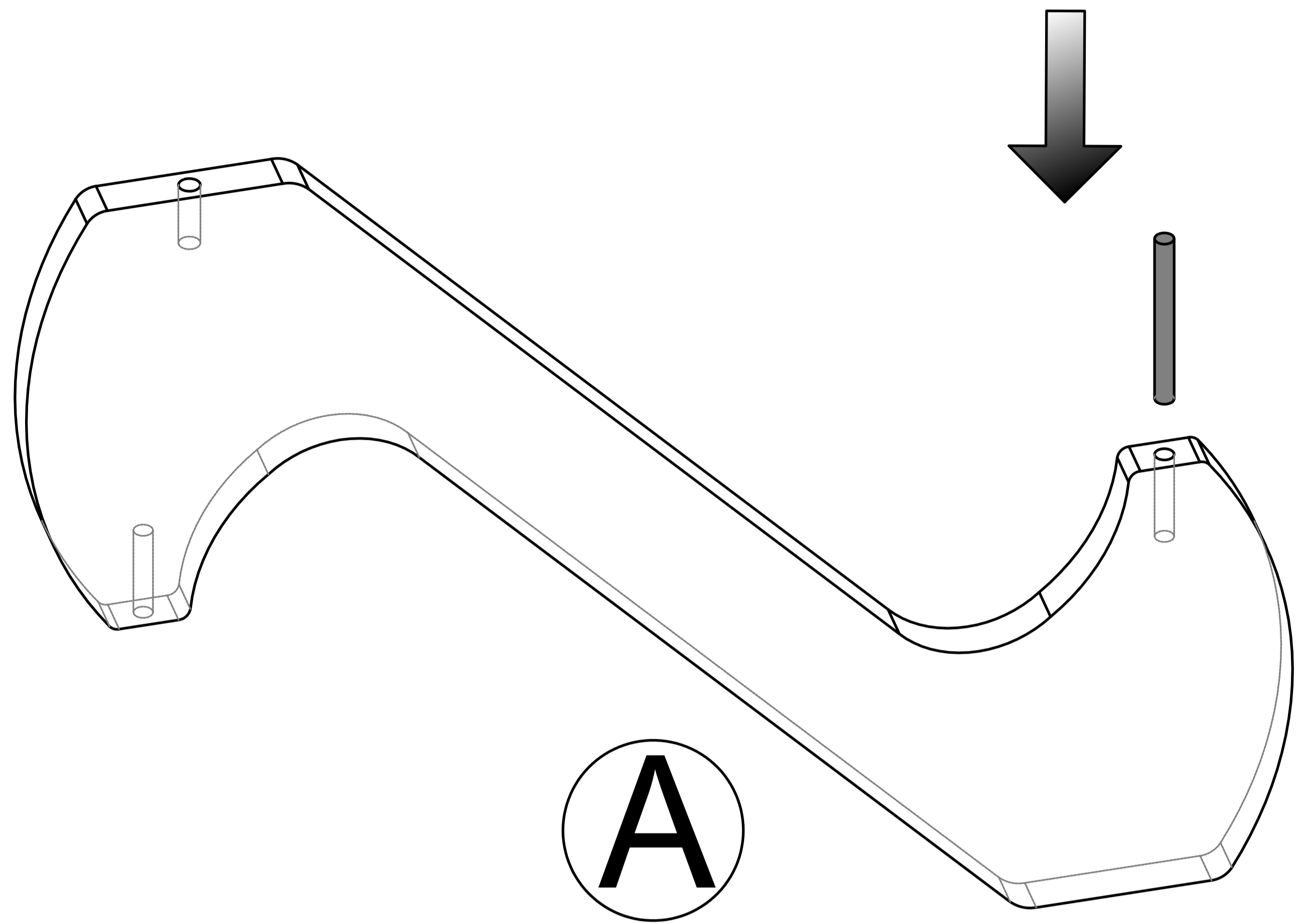
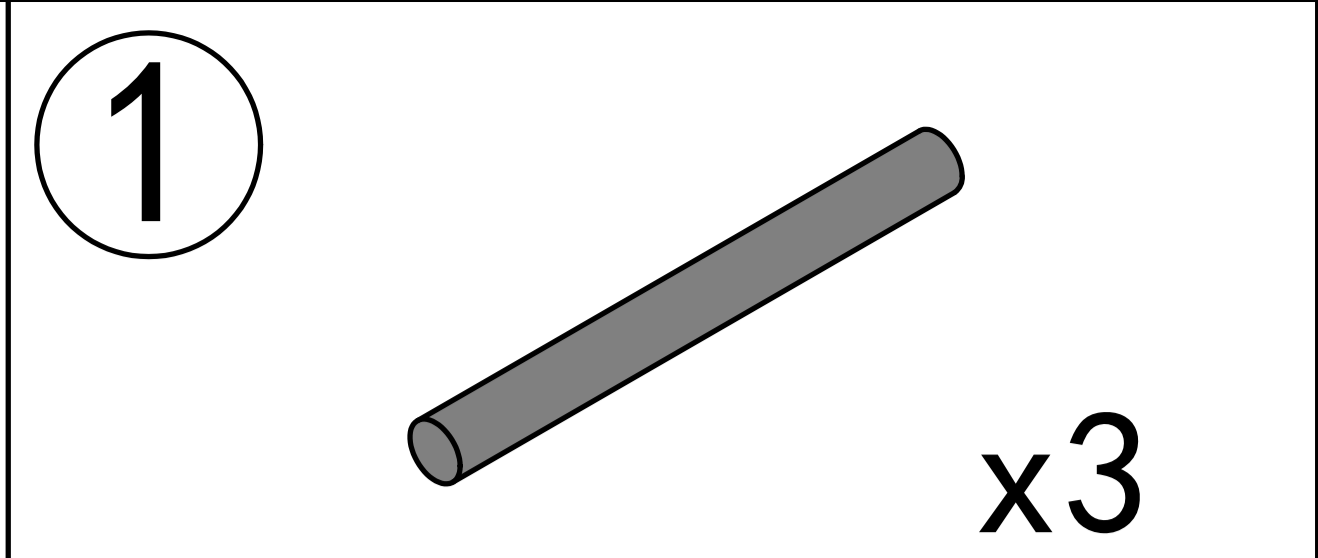
② 3pcs
+1pcs



Glass pallet

③ 3pcs

Step 1

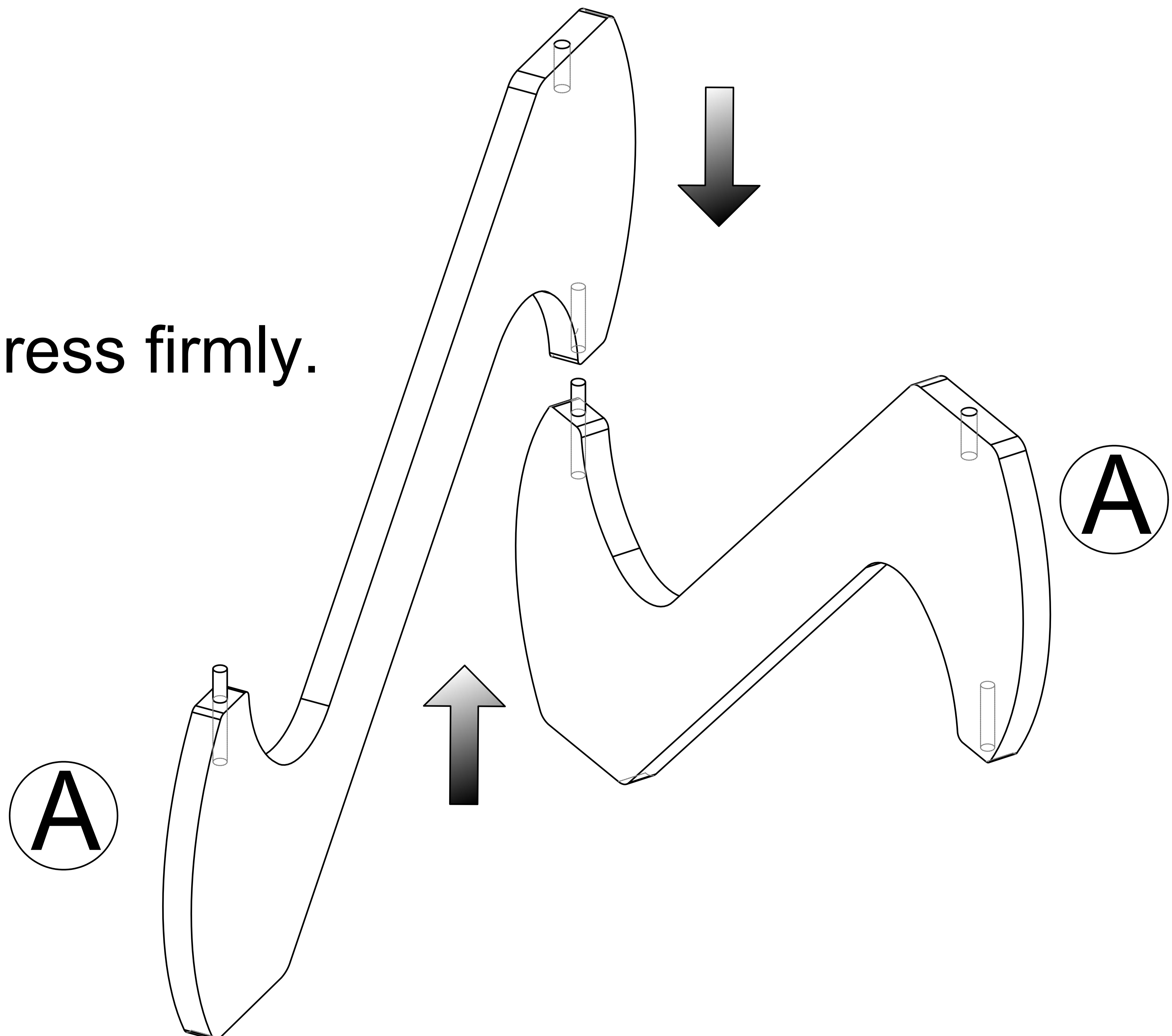


Steps and objects x3

Note the hole positions; insert the iron latch into the single-hole end.

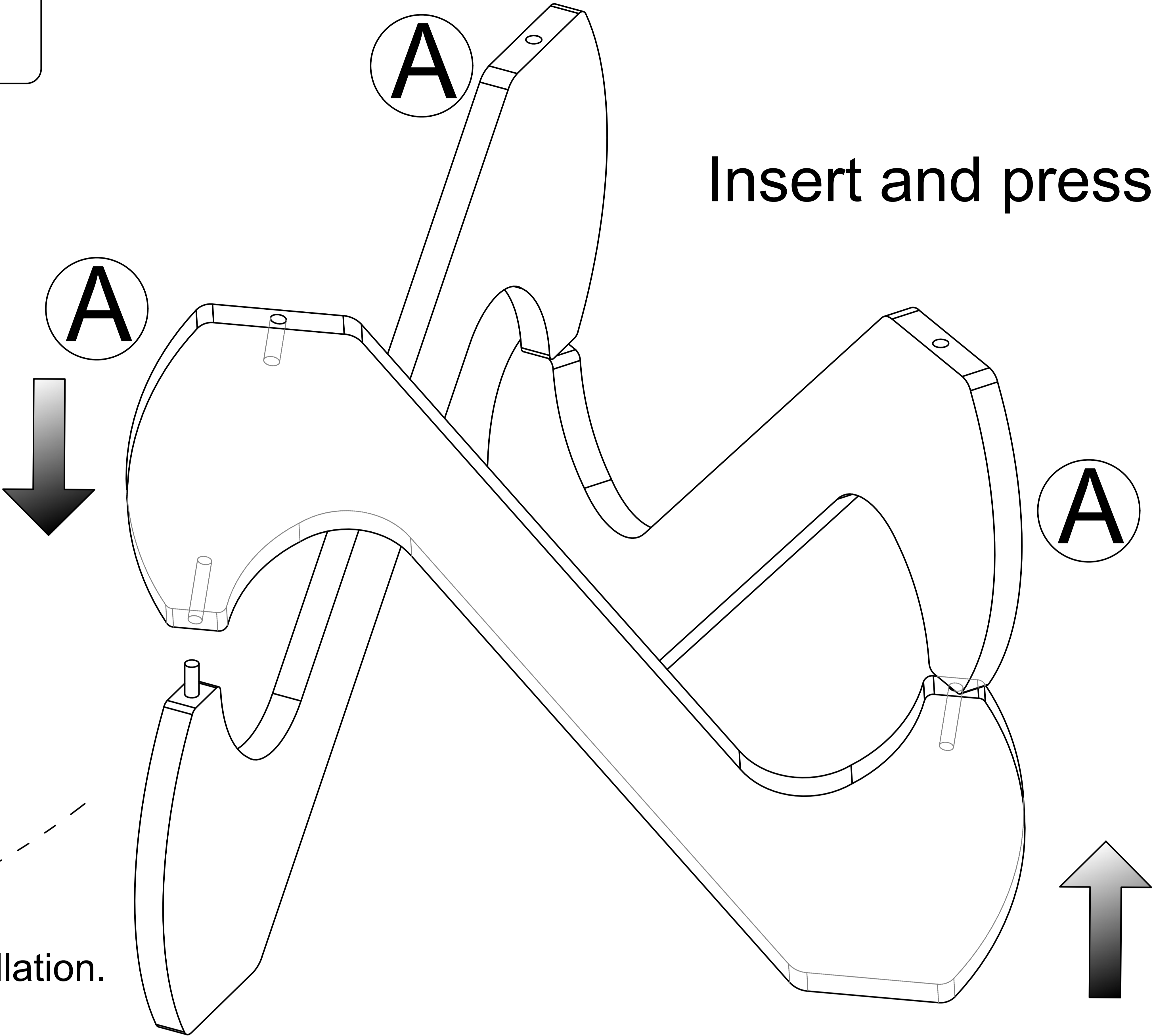
Step 2

Insert and press firmly.



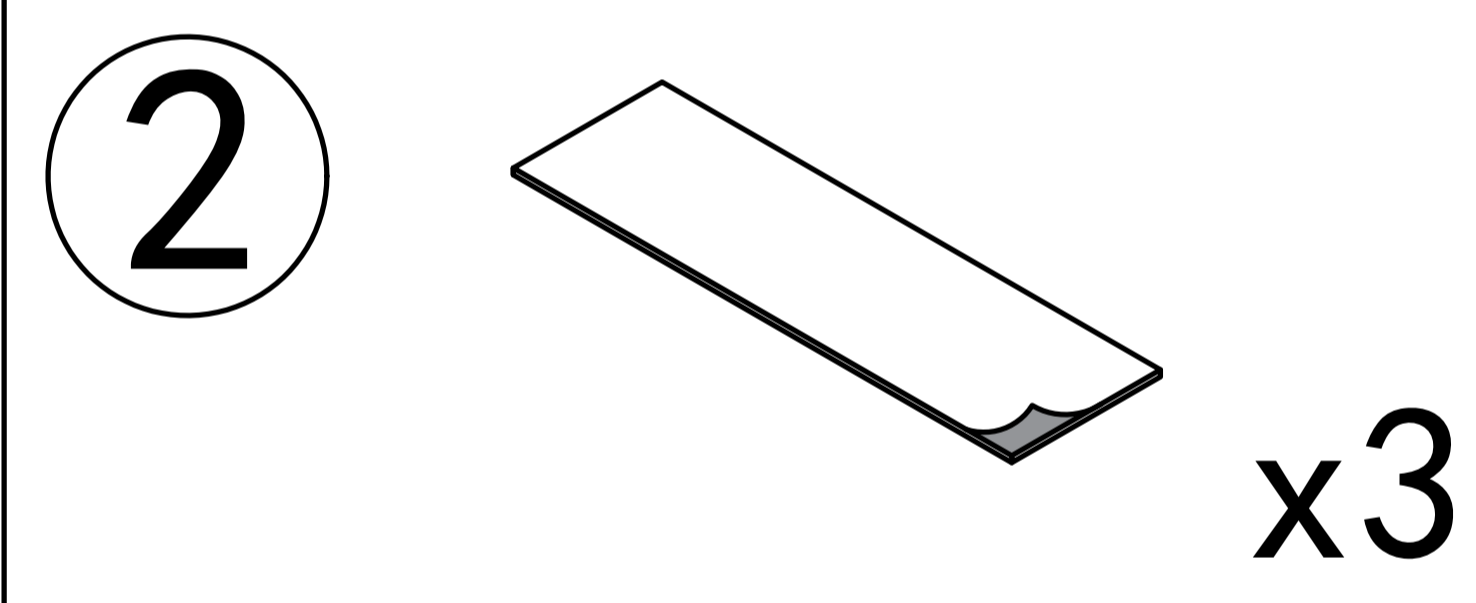
Step 3

Insert and press firmly.

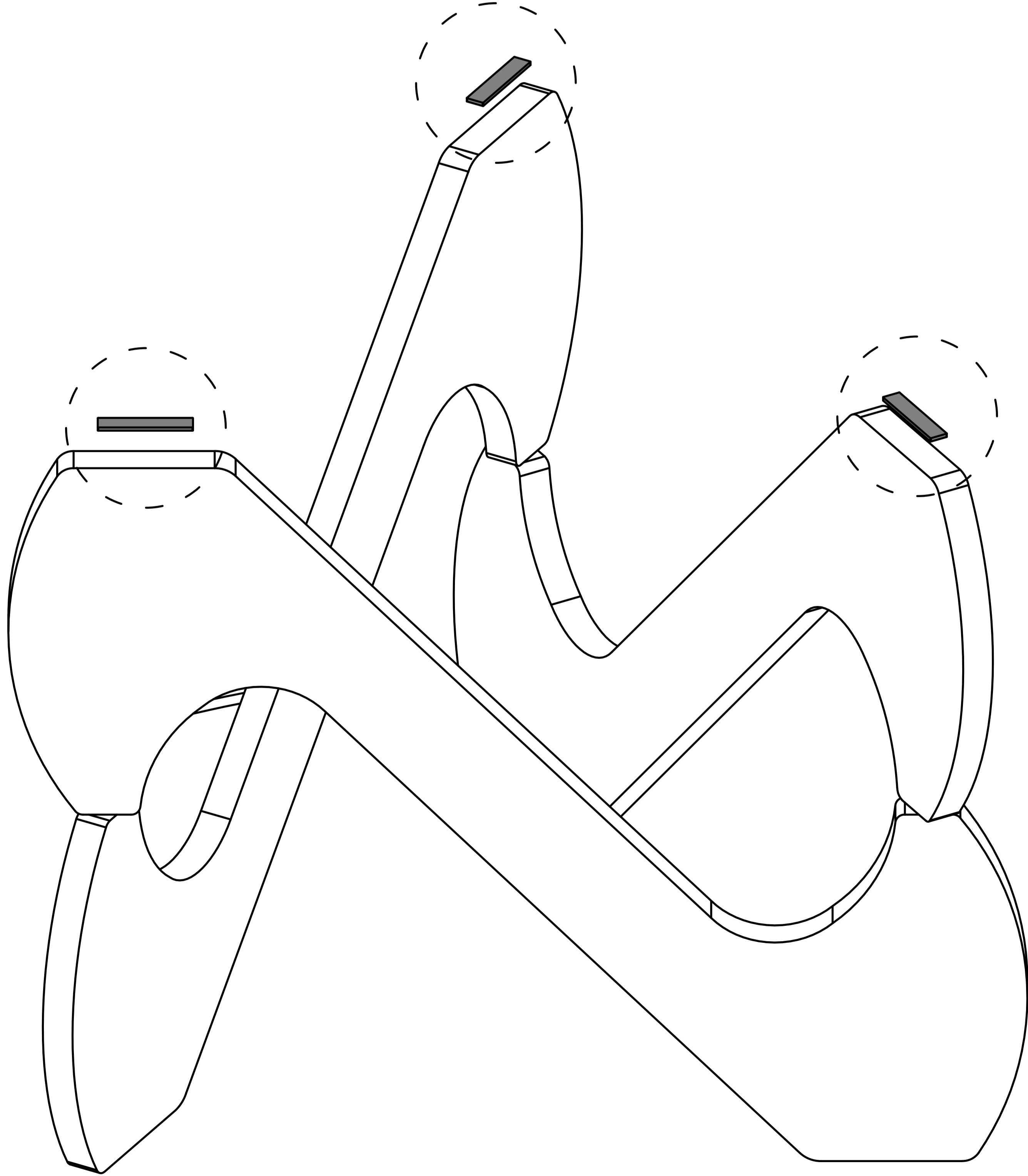


Reverse after installation.

Step 4

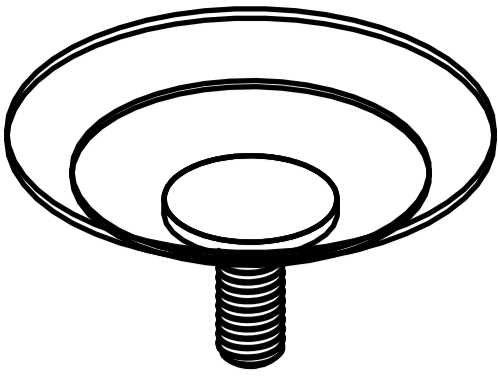


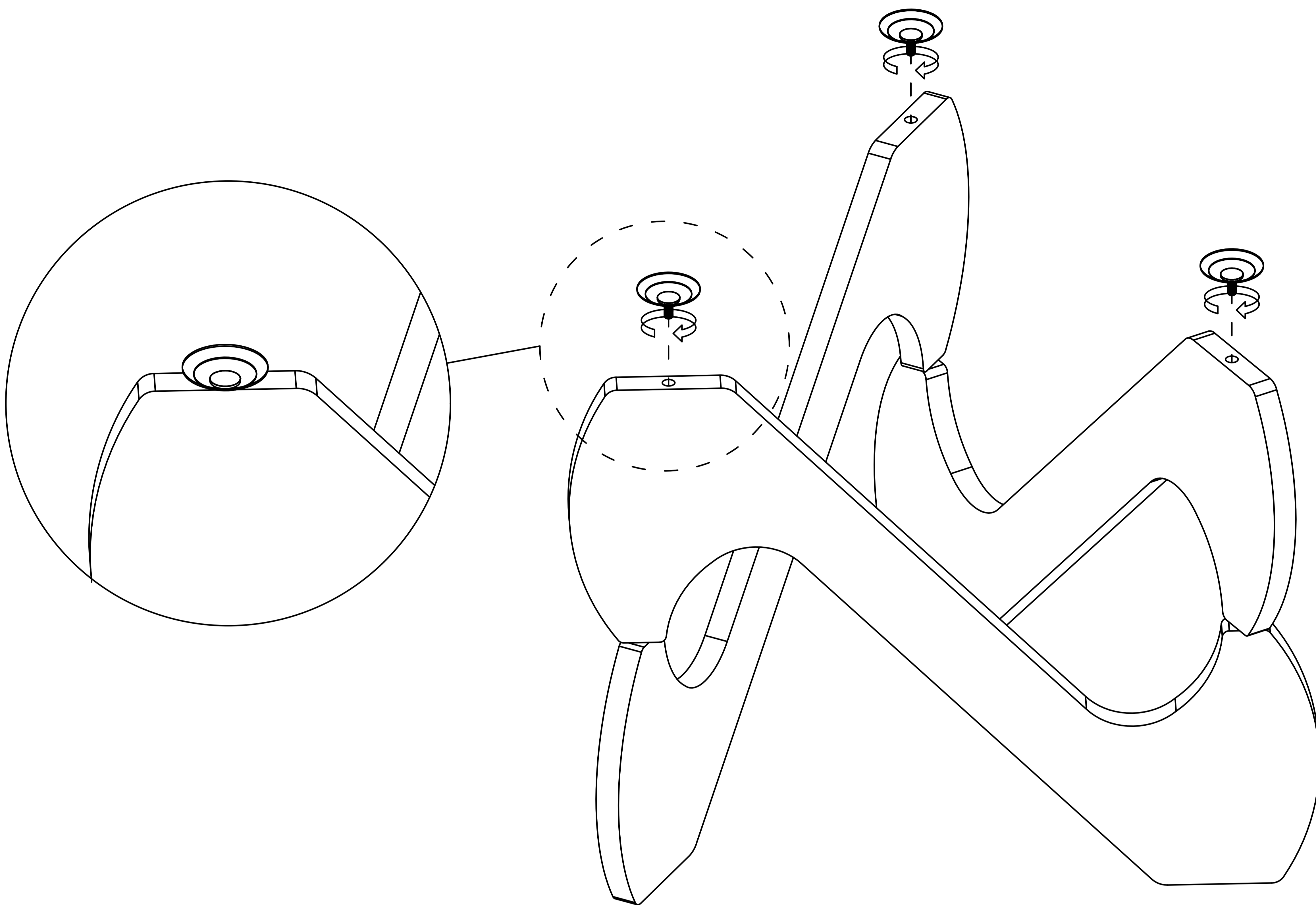
Tear off release paper and stick the black foot pad on the board



Reverse after installation.

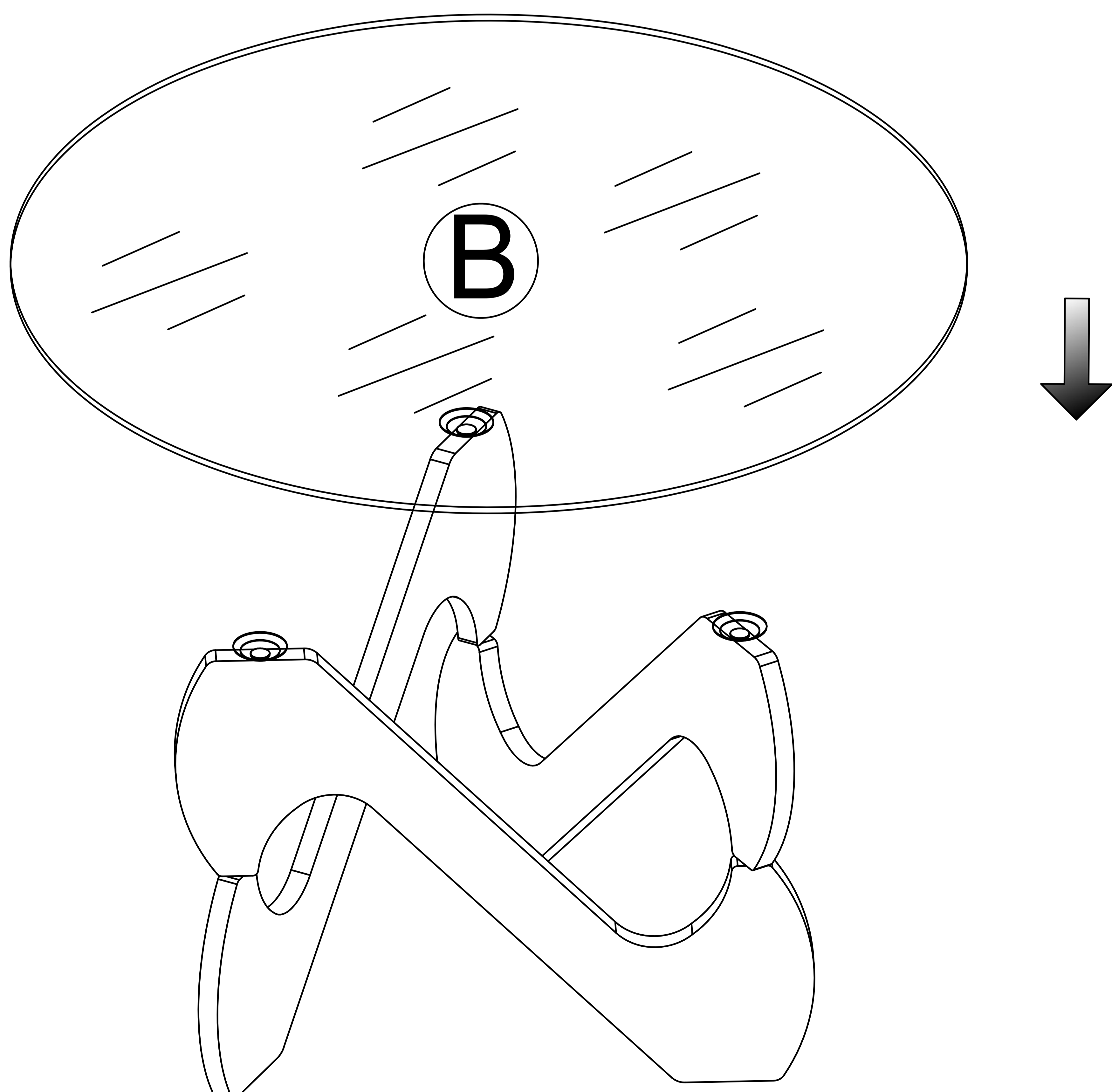
Step 5

3  x3



Step 6

Installation completed



4