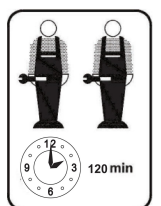
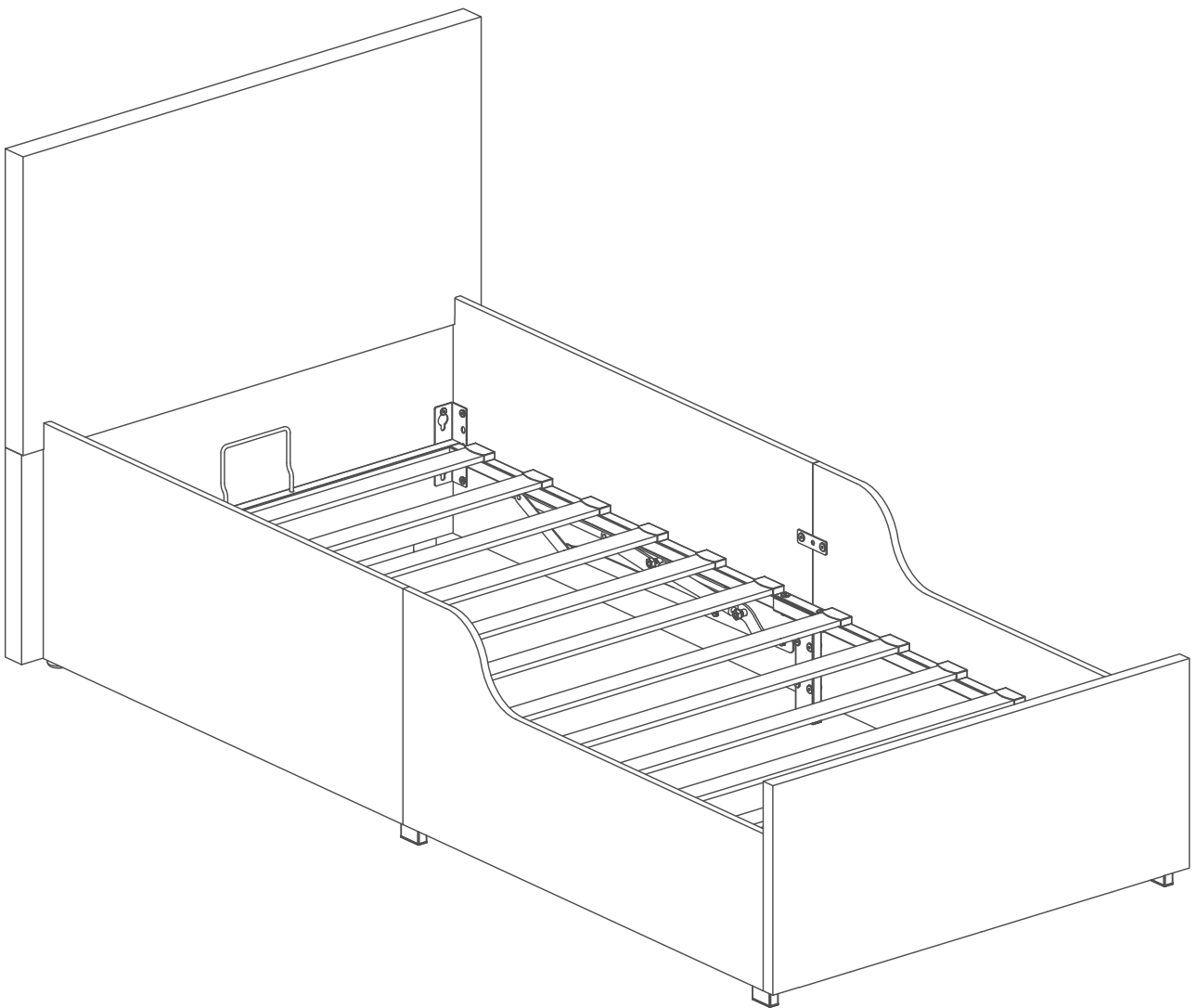


ASSEMBLY INSTRUCTIONS

Bed 90x190cm

This set comes in 2 boxes. If you do not receive a full 2 boxes, please contact our customer service



INSTRUCTIONS

IMPORTANT-READ CAREFULLY-RETAIN FOR FUTURE REFERENCE

- a) **WARNING** -Children can become trapped between the bed and the wall, the adjoining pieces of furniture (e.g. cupboards) and the like. To avoid risk of serious injury the distance between the safety barrier and the adjoining structure shall not exceed 90 mm or shall be more than 230 mm.
- b) **WARNING**-Do not use the bed if any structural part is broken or missing; Replacement parts are between requested from the manufacturer or the store.
- c) **WARNING**-Do not climb or wiggle on any non-designated structures.
- d) it is imperative to always follow the installation instructions and manufacturer's use.
- e) The recommended size of the mattress to be used with the bed is 90cmx190cm, maximum thickness mattress:25cm.
- f) It is necessary to ventilate the room in order to maintain a low level moisture and prevent mold growth in the bed and its periphery.
- g) Joining devices should always be tightened properly and regularly verified. Tighten if necessary.

English

IMPORTANT ! KEEP FOR FUTURE REFERENCE : READ CAREFULLY

- To be assembled by an adult. Assembly must be checked by an adult before use
- WARNING ! Keep all screws, small parts and plastic bags out of the reach of children
- Properly identify all parts before assembling
- Never use your item if any of its parts are broken or missing
- Should any problems arise, please contact our After Sales Service
- Manufacturer's instructions shall be followed at all times
- Care: Clean with a soft, dry cloth. In case of larger stains, carefully rub with a slightly damp, non-abrasive sponge
- Avoid the risk of fire by not placing furniture near sources of ignition or hot items
- Do not jump on the bed

Deutsch

WICHTIG ! ZUM SPÄTEREN NACHSCHLAGEN AUFBEWAHREN: SORGFÄLTIG LESEN

- Muss von einem Erwachsenen zusammengebaut werden. Der Zusammenbau muss vor dem Gebrauch von einem Erwachsenen überprüft werden
- WARNUNG! Bewahren Sie alle Schrauben, Kleinteile und Plastikbeutel außerhalb der Reichweite von Kindern auf
- Kennzeichnen Sie vor dem Zusammenbau alle Teile richtig
- Benutzen Sie Ihren Artikel niemals, wenn Teile gebrochen sind oder fehlen
- Sollten Probleme auftreten, wenden Sie sich bitte an unseren Kundendienst
- Die Anweisungen des Herstellers sind stets zu befolgen
- Pflege: Mit einem weichen, trockenen Tuch reinigen. Bei größeren Flecken vorsichtig mit einem leicht feuchten, nicht scheuernden Schwamm abreiben. nicht scheuernden Schwamm
- Vermeiden Sie die Gefahr eines Brandes, indem Sie die Möbel nicht in der Nähe von Zündquellen oder heißen Gegenständen aufstellen
- Nicht auf das Bett springen

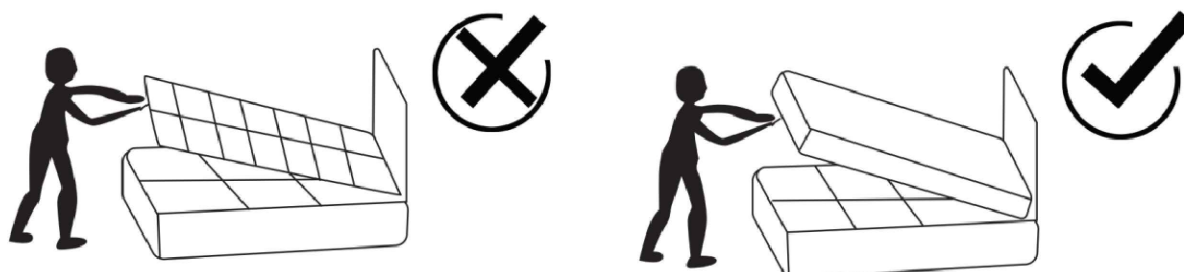
Français

IMPORTANT ! CONSERVER POUR RÉFÉRENCE ULTÉRIEURE : LIRE ATTENTIVEMENT

- Le montage doit être effectué par un adulte. Le montage doit être vérifié par un adulte avant Utilisation
- ATTENTION ! Tenir les vis, les petites pièces et les sachets en plastique hors de portée des enfants
- Identifiez correctement toutes les pièces avant de les assembler
- N'utilisez jamais votre article si l'une de ses pièces est cassée ou manquante
- En cas de problème, veuillez contacter notre service après-vente
- Les instructions du fabricant doivent être respectées à tout moment
- Entretien : nettoyer avec un chiffon doux et sec. En cas de taches plus importantes, frotter soigneusement avec une éponge non abrasive légèrement humide. légèrement humide et non Abrasive
- Évitez les risques d'incendie en ne plaçant pas les meubles à proximité de sources d'inflammation ou d'objets chauds
- Ne pas sauter sur le lit

- Deve essere assemblato da un adulto. L'assemblaggio deve essere controllato da un adulto prima dell'uso
- ATTENZIONE! Tenere tutte le viti, le piccole parti e i sacchetti di plastica fuori dalla portata dei bambini
- Identificare correttamente tutte le parti prima dell'assemblaggio
- Non utilizzare mai l'articolo se alcune parti sono rotte o mancanti
- In caso di problemi, si prega di contattare il nostro Servizio Post Vendita
- Le istruzioni del produttore devono essere sempre seguite
- Cura: Pulire con un panno morbido e asciutto. In caso di macchie più estese, strofinare accuratamente con una spugna leggermente umida e nonspugna leggermente umida e non abrasiva
- Evitare il rischio di incendio, non collocando i mobili vicino a fonti di accensione o a oggetti caldi
- Non saltare sul letto

- Debe ser montado por un adulto. El montaje debe ser comprobado por un adulto antes del uso
- ADVERTENCIA Mantenga todos los tornillos, piezas pequeñas y bolsas de plástico fuera del alcance de los niños.
- Identifique correctamente todas las piezas antes de montarlas
- Nunca utilice su artículo si alguna de sus piezas está rota o falta
- Si surge algún problema, póngase en contacto con nuestro Servicio Postventa
- Las instrucciones del fabricante deben seguirse en todo momento
- Cuidado: Limpiar con un paño suave y seco. En caso de manchas más grandes, frote cuidadosamente con una esponja no abrasiva ligeramente humedecida.
- Evite el riesgo de incendio no colocando los muebles cerca de fuentes de ignición u objetos calientes.
- No saltar sobre la cama.

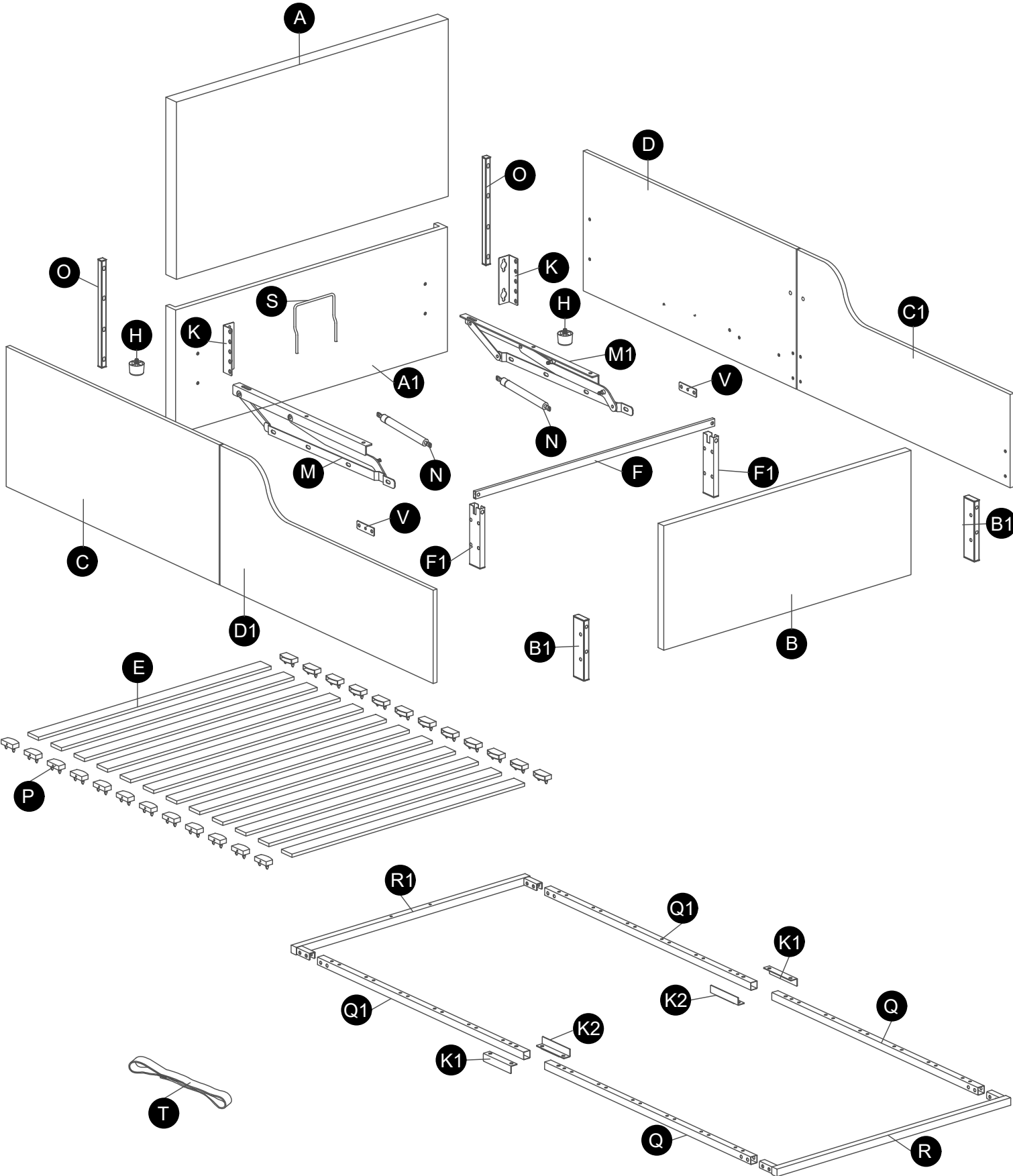




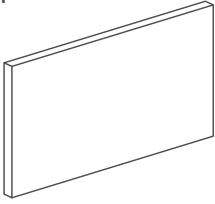
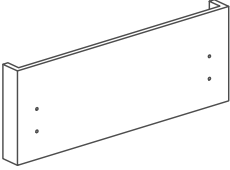
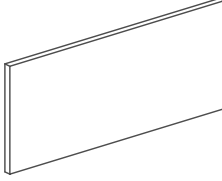

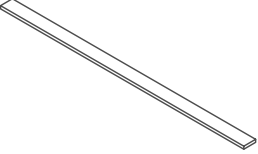
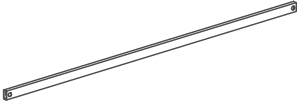


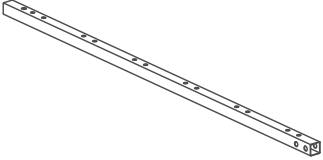
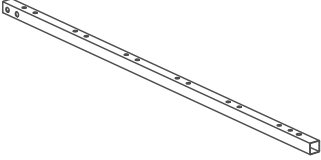
UK:Before installation, insert the screws into the holes and tighten them, but do not tighten them to 100%, 70% to 80% is sufficient. Finally, after all screws are installed, tighten all screws to 100%.

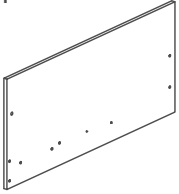
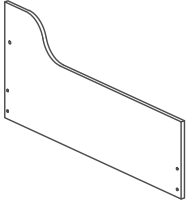
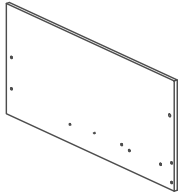
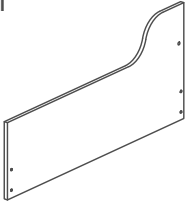
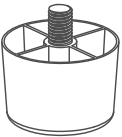
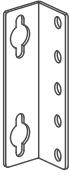
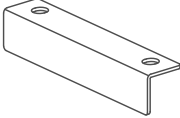
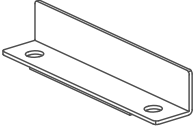
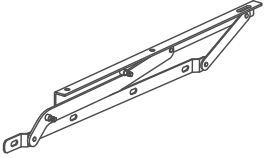
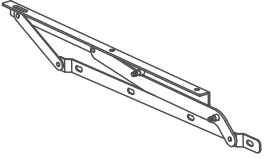
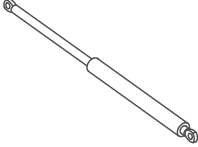
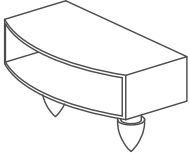

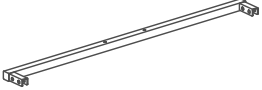
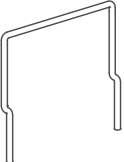
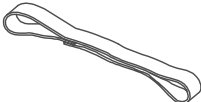
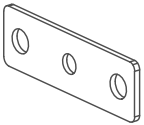
If you encounter these issues, such as if the holes cannot be aligned or some parts cannot be installed, please check if the screws are used correctly and adjust the tightness of the screws.

Stuckliste




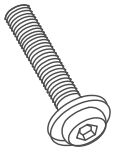
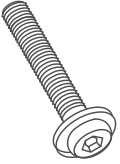
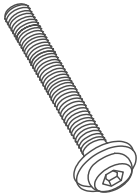
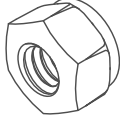

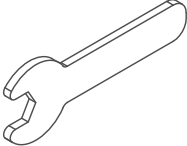


PARTS LIST

<p>(A) x1</p> 	<p>(A1) x1</p> 	<p>(B) x1</p> 	<p>(B1) x2</p> 
<p>(E) x12</p> 	<p>(F) x1</p> 	<p>(F1) x2</p> 	<p>(O) x2</p> 
<p>(Q) x2</p> 	<p>(Q1) x2</p> 		

<p>(C) x1</p> 	<p>(C1) x1</p> 	<p>(D) x1</p> 	<p>(D1) x1</p> 	
<p>(H) x2</p> 	<p>(K) x2</p> 	<p>(K1) x2</p> 	<p>(K2) x2</p> 	
<p>(M) x1</p> 	<p>(M1) x1</p> 	<p>(N) x2</p> 	<p>(P) x24</p> 	
<p>(R) x1</p> 	<p>(R1) x1</p> 	<p>(S) x1</p> 	<p>(T) x1</p> 	<p>(V) x2</p> 

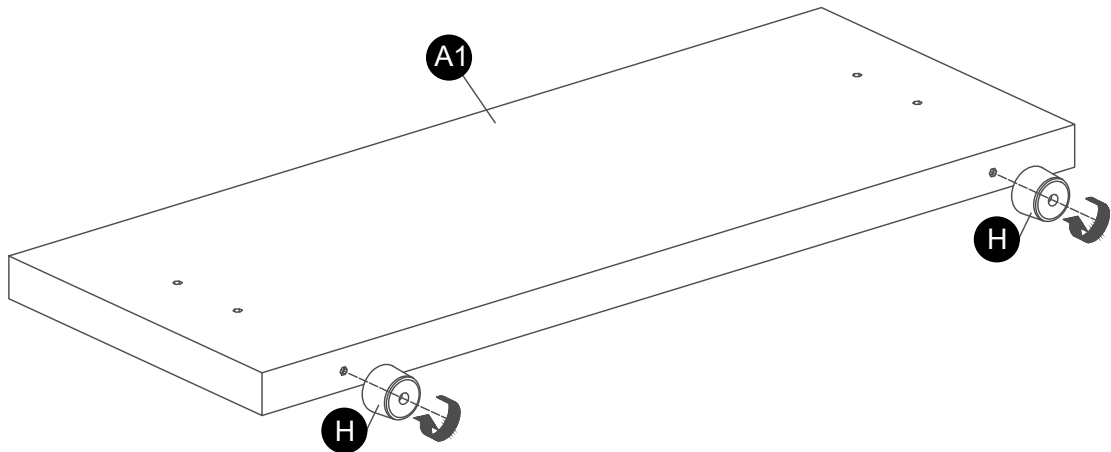
PARTS LIST

<p>① x4</p>  <p>M8*15</p>	<p>② x18</p>  <p>M8*16</p>	<p>③ x4</p>  <p>M8*25</p>	<p>④ x32</p>  <p>M8*35</p>
<p>⑤ x2</p>  <p>M8*50</p>	<p>⑥ x4</p>  <p>M8*65</p>	<p>⑦ x16</p>  <p>M8*6</p>	<p>⑧ x1</p>  <p>Allen Key M8</p>
<p>⑨ x1</p>  <p>Wrench</p>			

ASSEMBLY

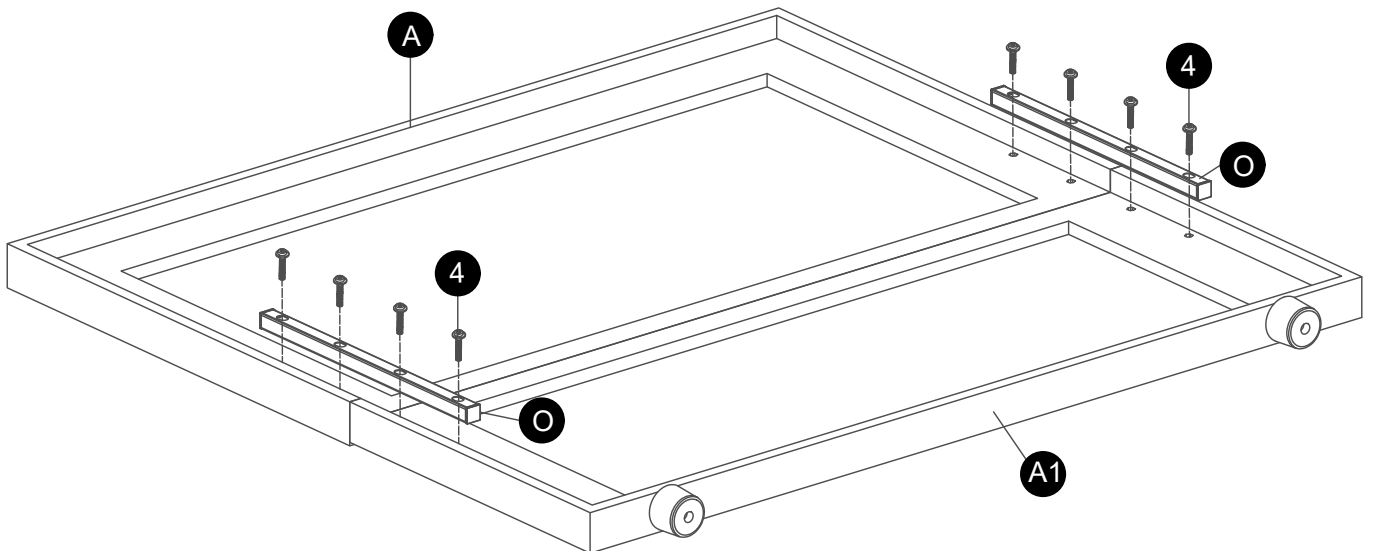
Note: Please do not tighten all bolts until the bed is assembled completely.



Step 1



H		2
---	-------------------------------------------------------------------------------------	---

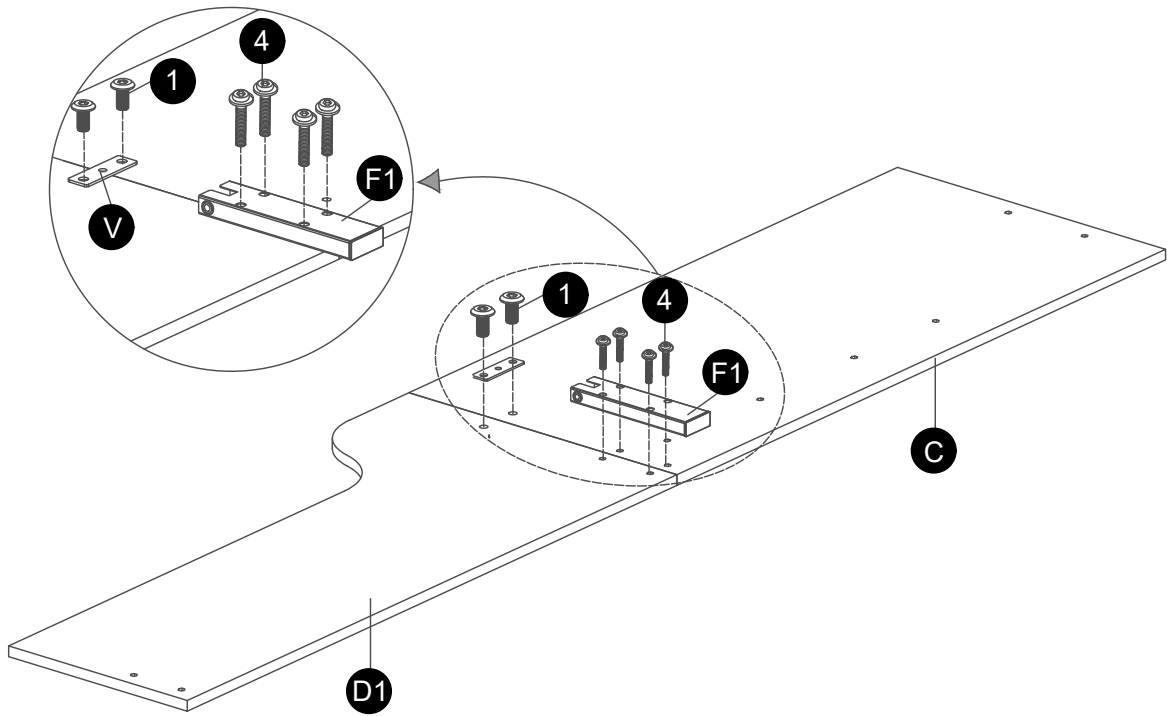
Step 2



O		2
4	 M8*35mm	8

Step 3

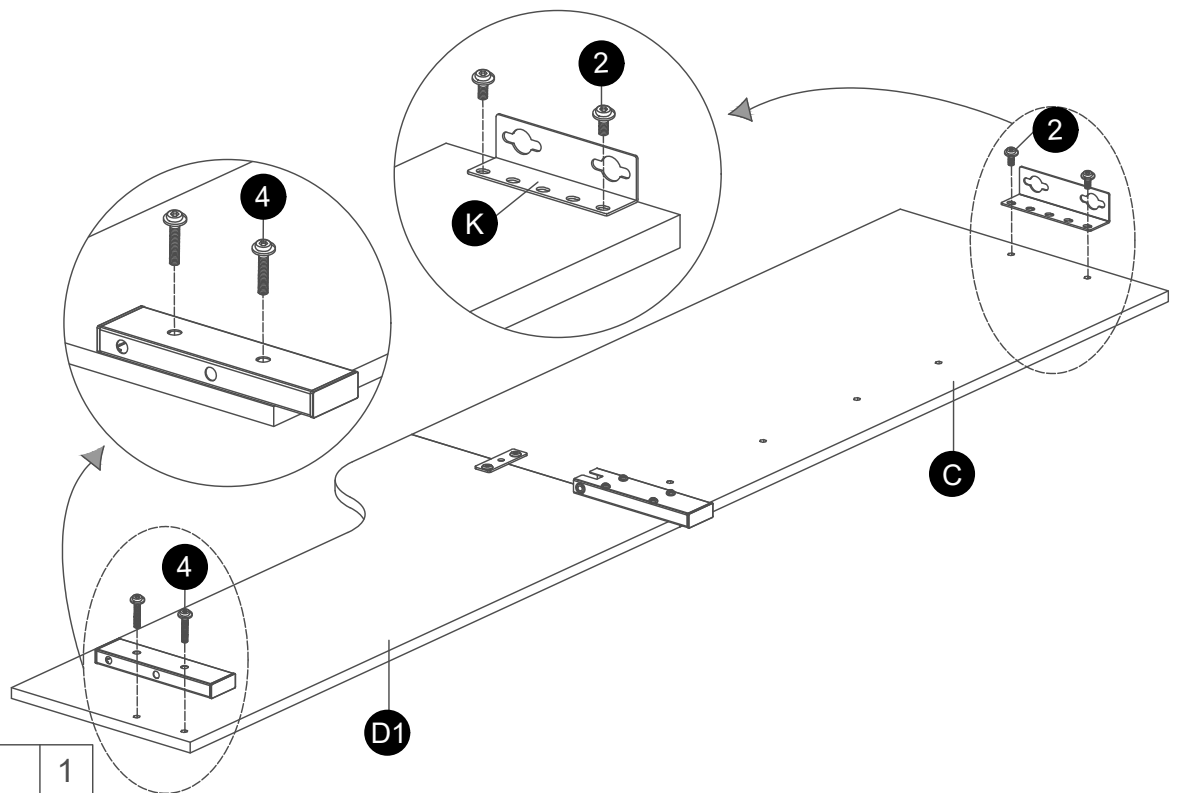
Left



F1		1
V		1
4	M8*35mm	4
1	M8*15mm	2

Step 4

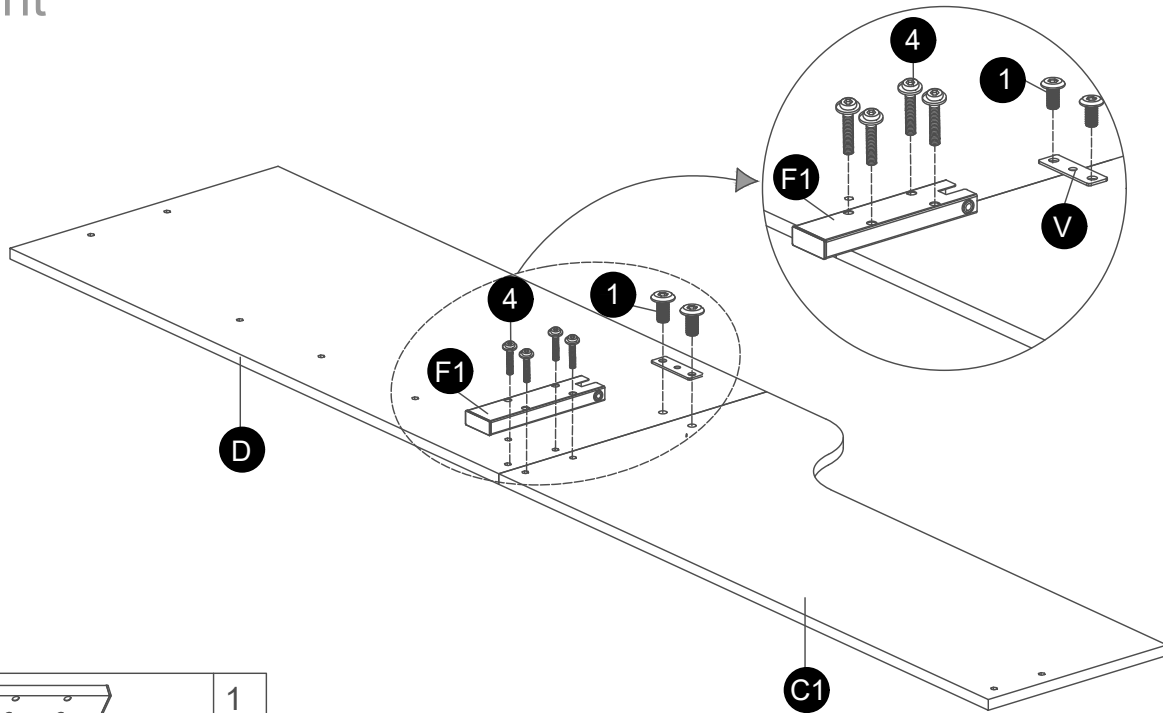
Left







K		1
B1		1
4	M8*35mm	2
2	M8*16mm	2

Step 5

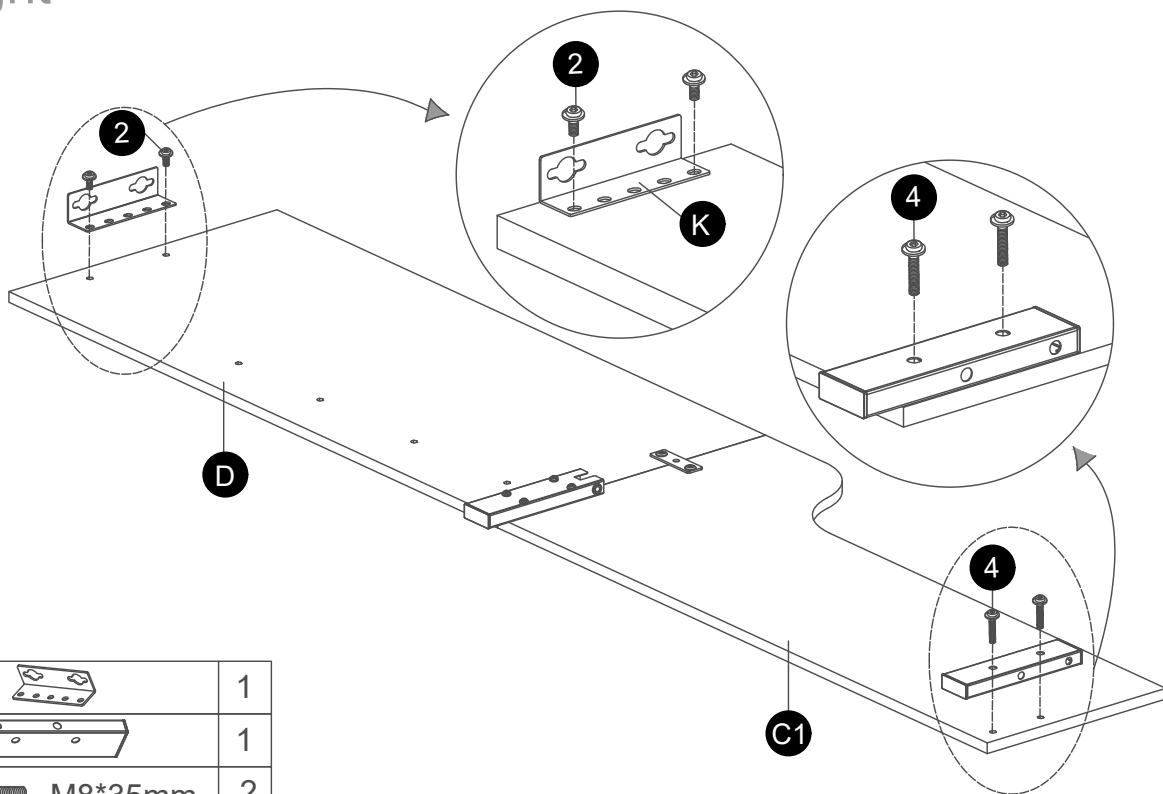
Right


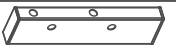




F1		1
V		1
4	 M8*35mm	4
1	 M8*15mm	2

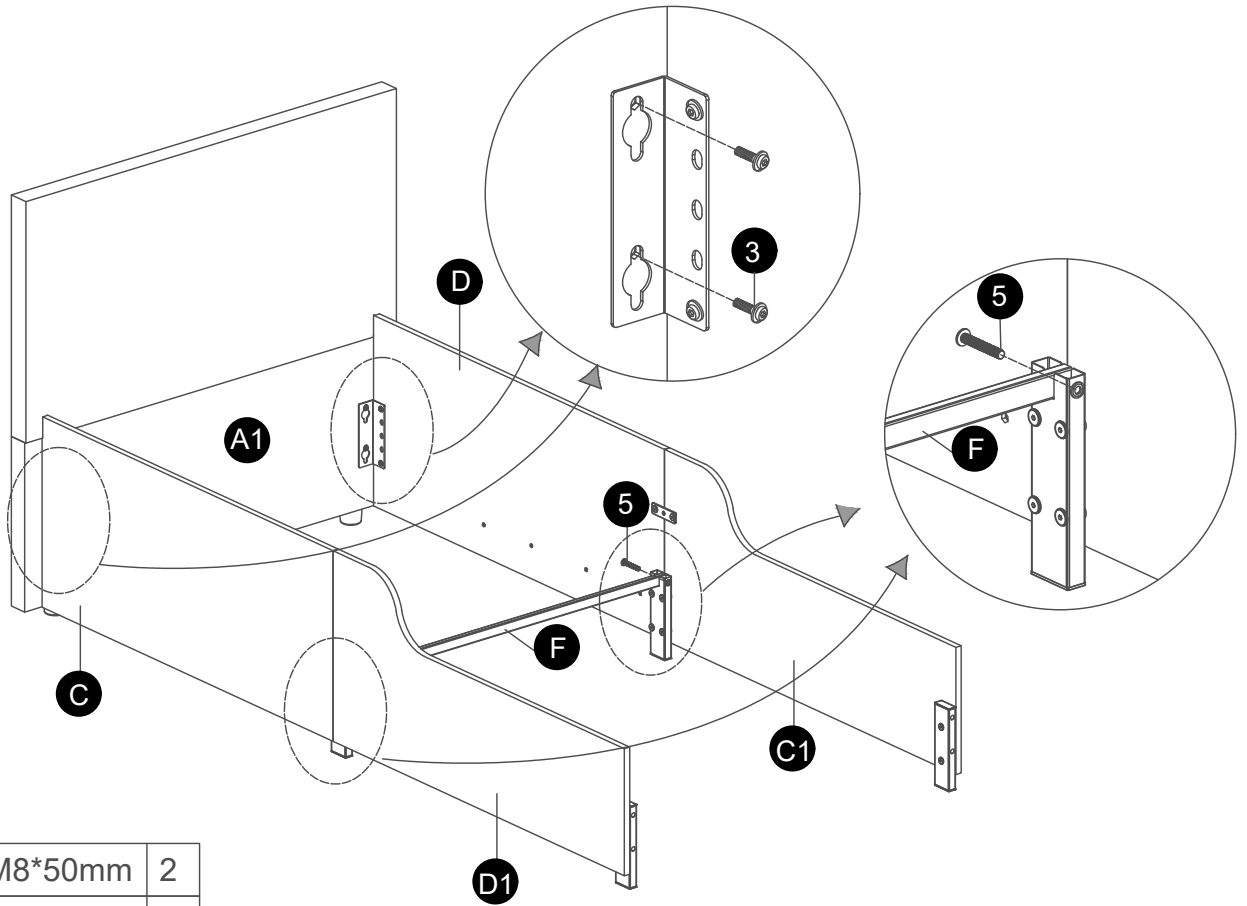
Step 6


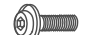
Right



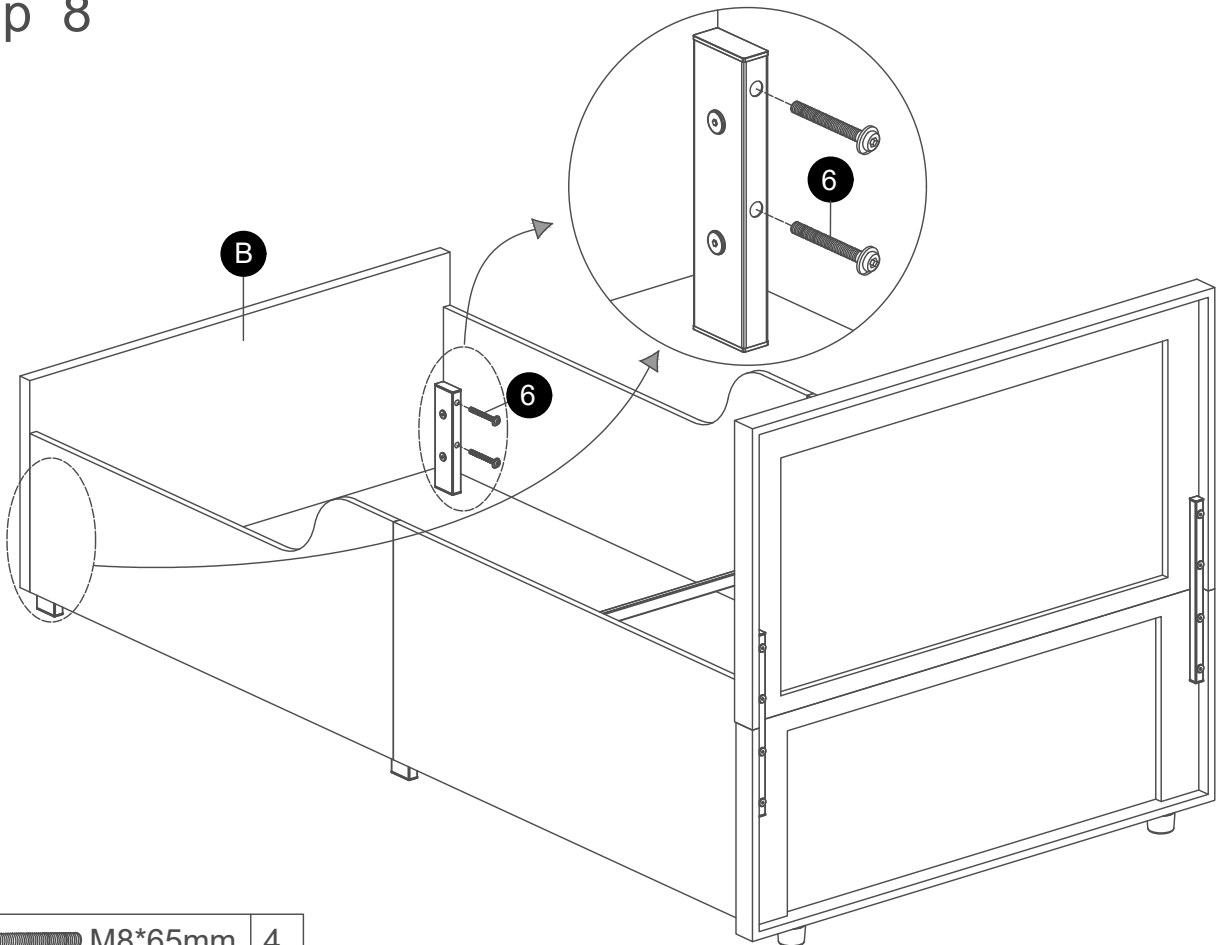
K		1
B1		1
4	 M8*35mm	2
2	 M8*16mm	2

Step 7



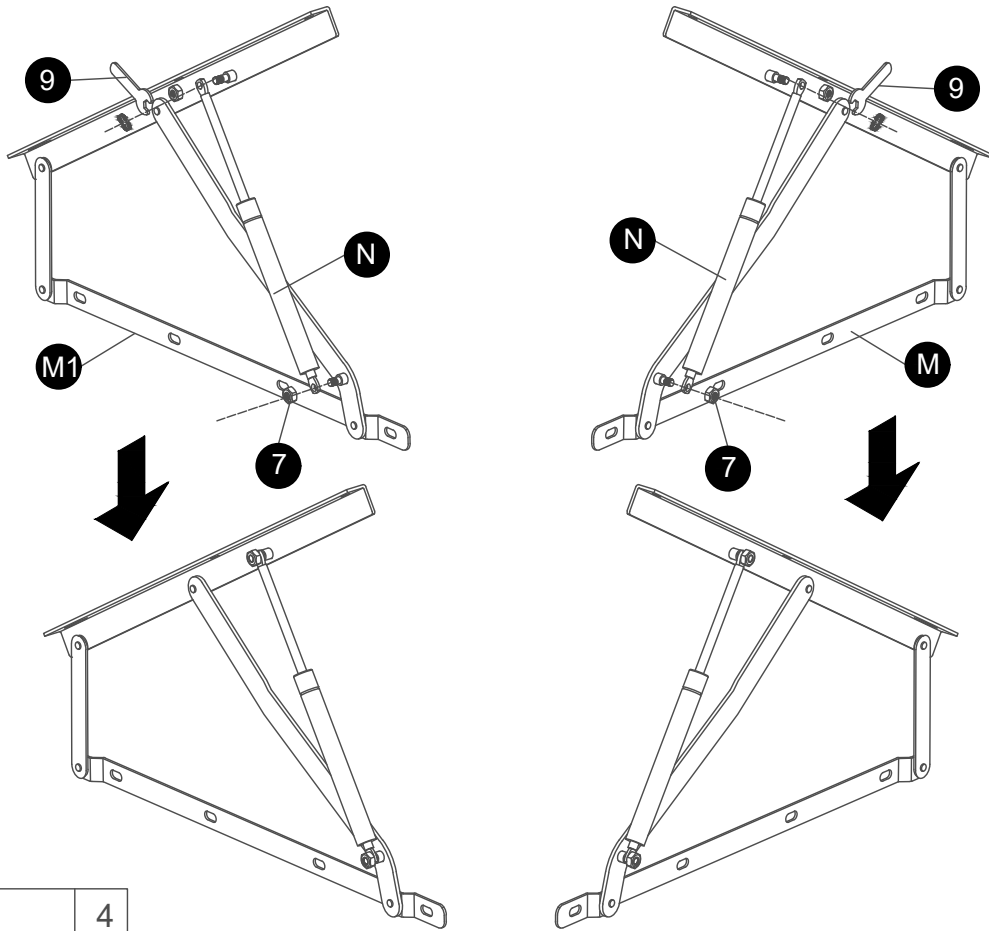
5		M8*50mm	2
3		M8*25mm	4

Step 8



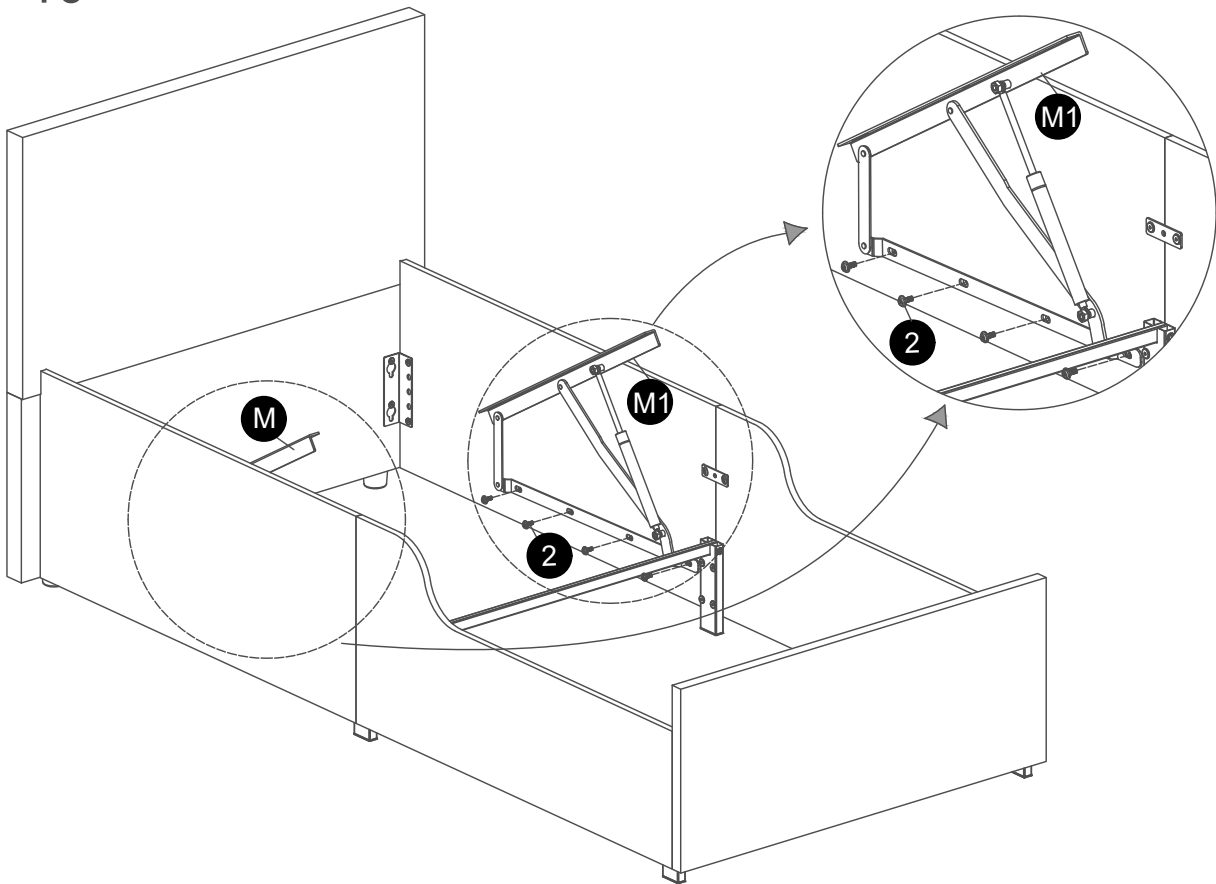
6		M8*65mm	4
---	-------------------------------------------------------------------------------------	---------	---

Step 9



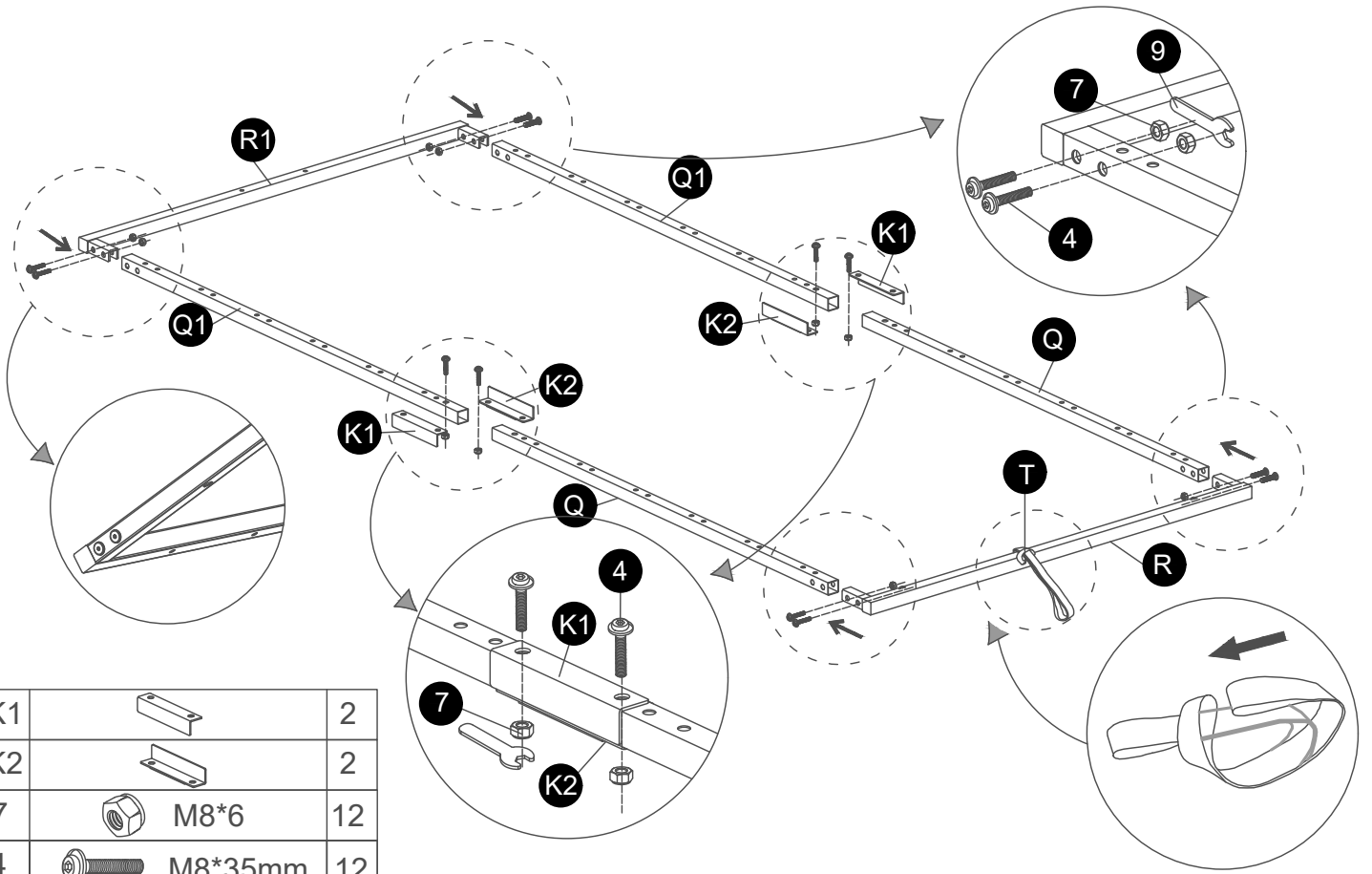
7	 M8*6	4
---	-----------------------------------------------------------------------------------------	---

Step 10



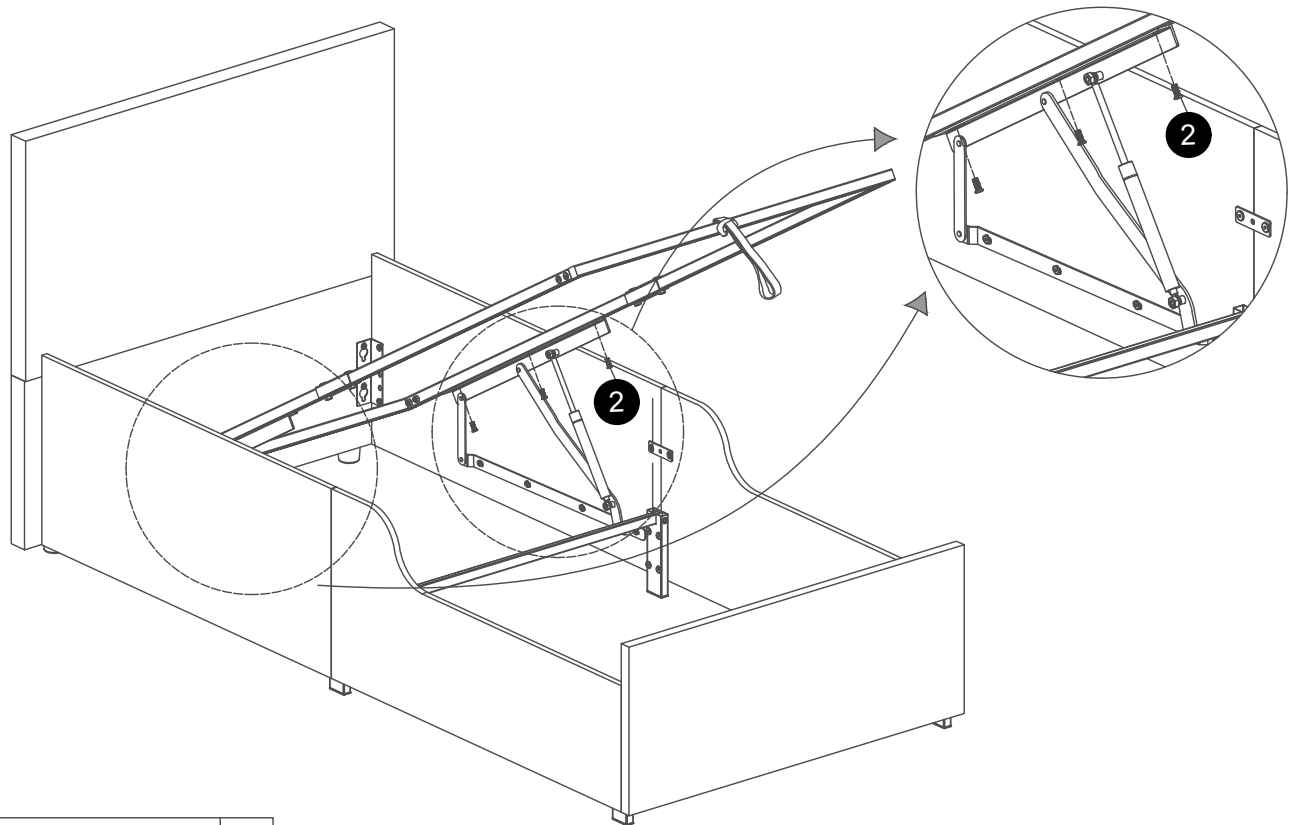
2	 M8*16mm	8
---	---------------------------------------------------------------------------------------------	---

Step 11



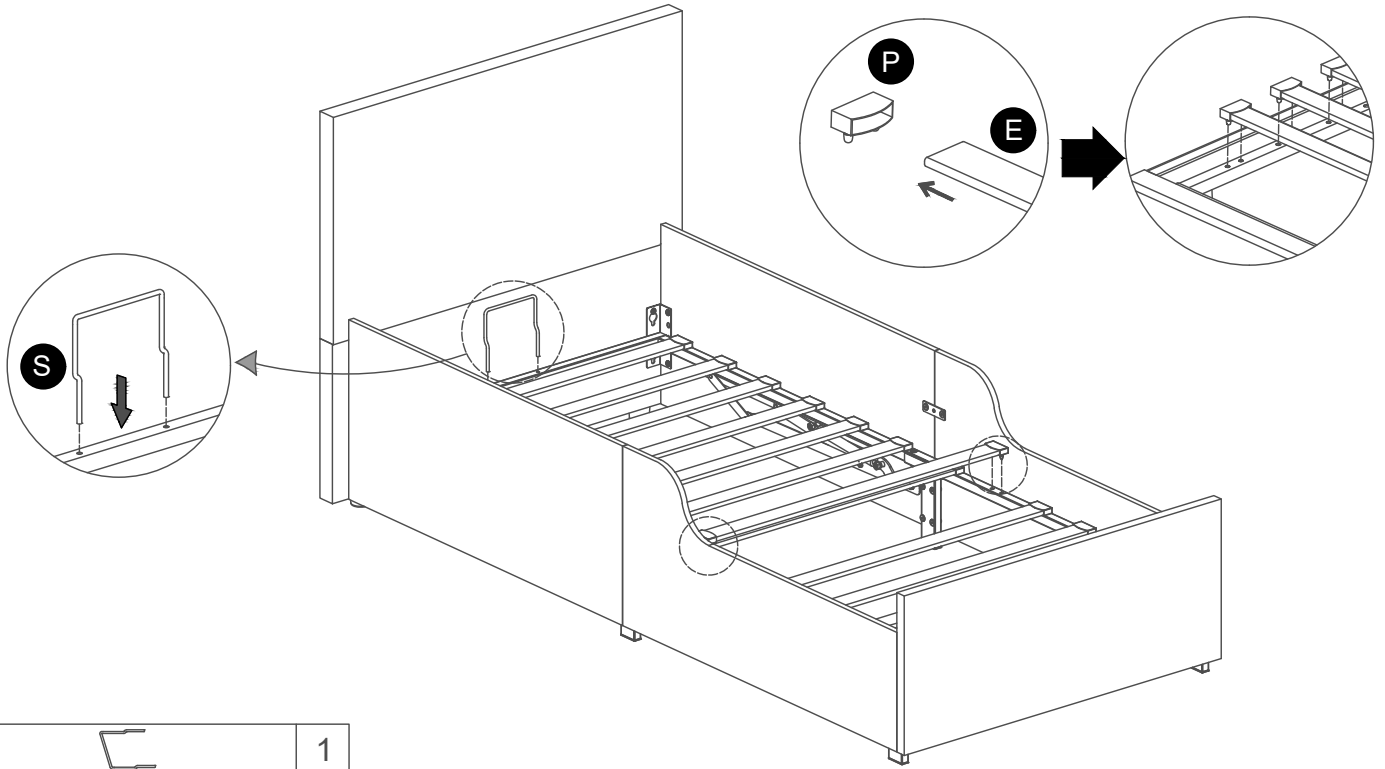
K1		2
K2		2
7	M8*6	12
4	M8*35mm	12



Step 12



2	M8*16mm	6
---	---------	---

Step 13



S		1
P		24

Step 14

