

Read this instruction carefully. See hardware and furniture part list for guidance. Be sure all parts are complete, before you assemble. Place all wooden furniture parts on a clean and flat soft surface to prevent from being scratched. Follow the figure to start assembling.

CAUTION : 1. Do not FULLY - TIGHTEN the nuts or nuts bolts until they are ready for assembly.
 2. Do not OVER - TIGHTEN the nuts or bolts to avoid causing damages to the thread.
 3. Keep all hardware parts out of reach of children.

NOTE : THE LIST AND QUANTITY SHOWN ARE FOR 1 UNIT ASSEMBLY.

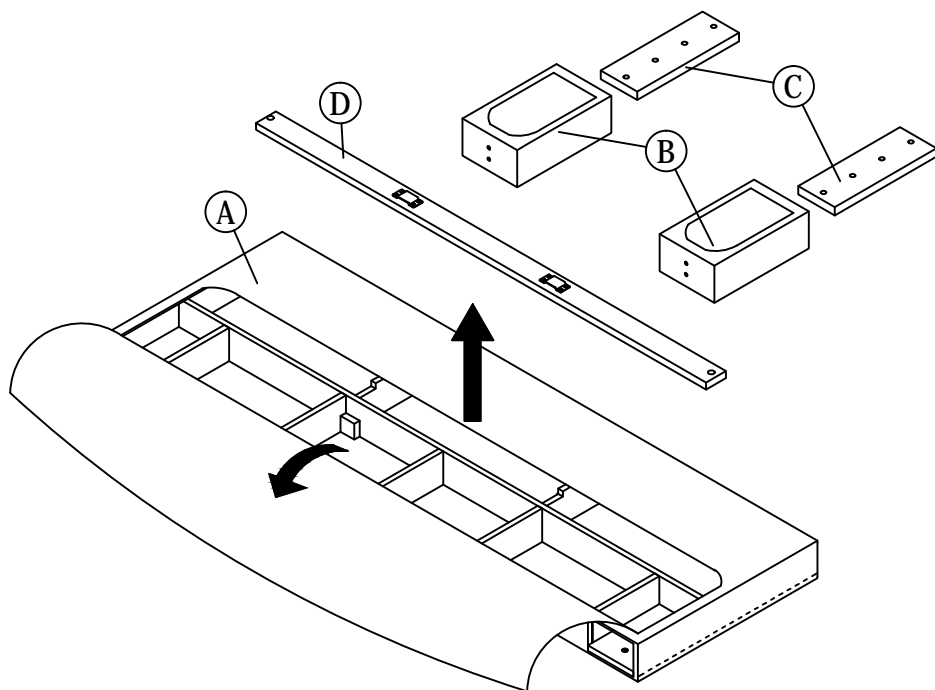
Tools needed : Screwdriver & Rubber Mallet (not provided).

PART LIST		
ITEM	DESCRIPTION	QTY
A	HEADBOARD	1 PC
B	HEADBOARD LEG	2 PCS
C	HEADBOARD SUPPORT WOOD	2 PCS
D	HEADBOARD SUPPORT RAIL	1 PC
E	BED LEG	2 PCS
F	FOOTBOARD	1 PC
G	FOOTBOARD WOOD	1 PC
H	SIDE RAIL	2 PCS
I	SIDE RAIL WOOD	2 PCS
J	CENTER RAIL	2 PCS
K	CENTER SUPPORT LEG	6 PCS
L	CENTER SUPPORT WOOD	3 PCS
M	BED SLAT	39 PCS

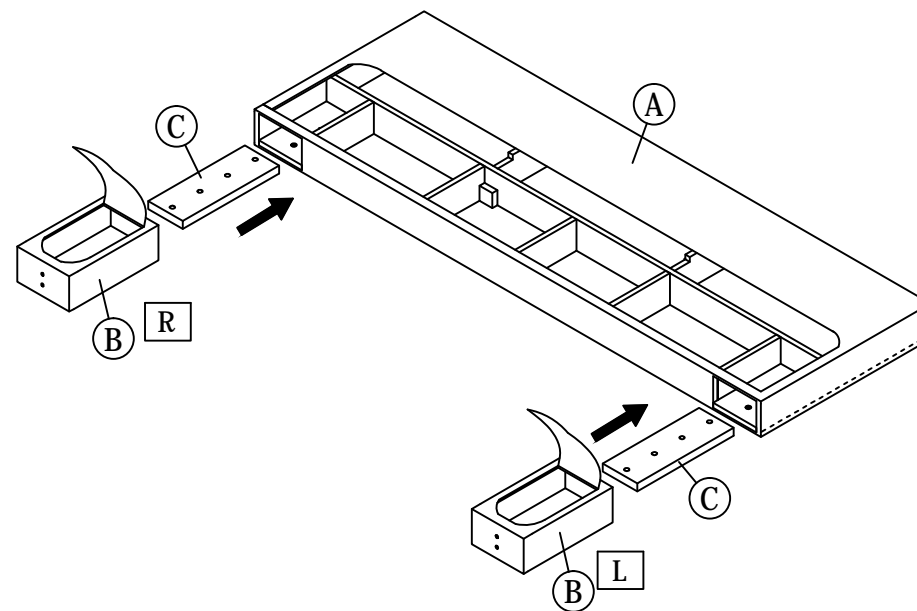
HARDWARE LIST		
ITEM	DESCRIPTION	QTY
1	JCBB BOLT M8 x 45mm	10 PCS
2	M8 FLAT WASHER	10 PCS
3	M8 SPRING WASHER	10 PCS
4	WOOD SCREW M3.5 x 16mm	12 PCS
5	WOOD SCREW M4 x 20mm	4 PCS
6	WOOD SCREW M4 x 45mm	20 PCS
7	WOOD DOWEL M8 x 30mm	13 PCS
8	BED SLAT SIDE FITTER	26 PCS
9	BED SLAT CENTER FITTER	26PCS
10	M5 ALLEN KEY (BALL SHAPE)	1 PC
11	PROTECTIVE DISC	15 PCS

STEP 1

Take out HEADBOARD LEG (B) , HEADBOARD SUPPORT WOOD (C) & HEADBOARD SUPPORT RAIL (D) from the HEADBOARD BACK (A).

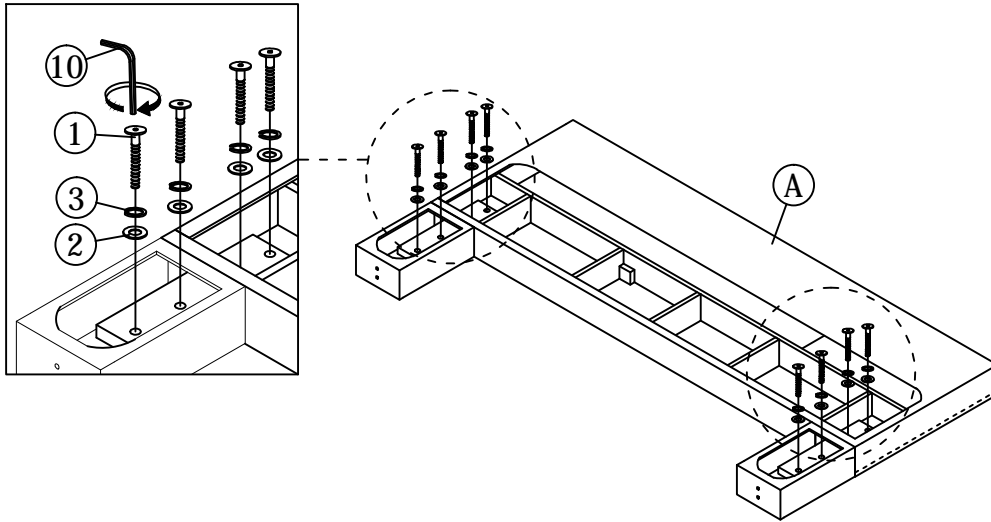


STEP 2

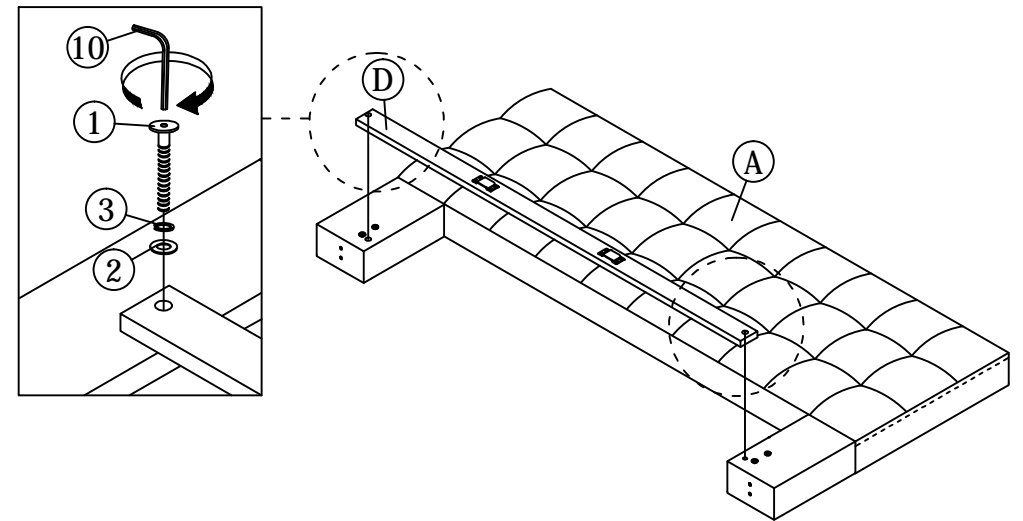


ASSEMBLY INSTRUCTIONS

STEP 3

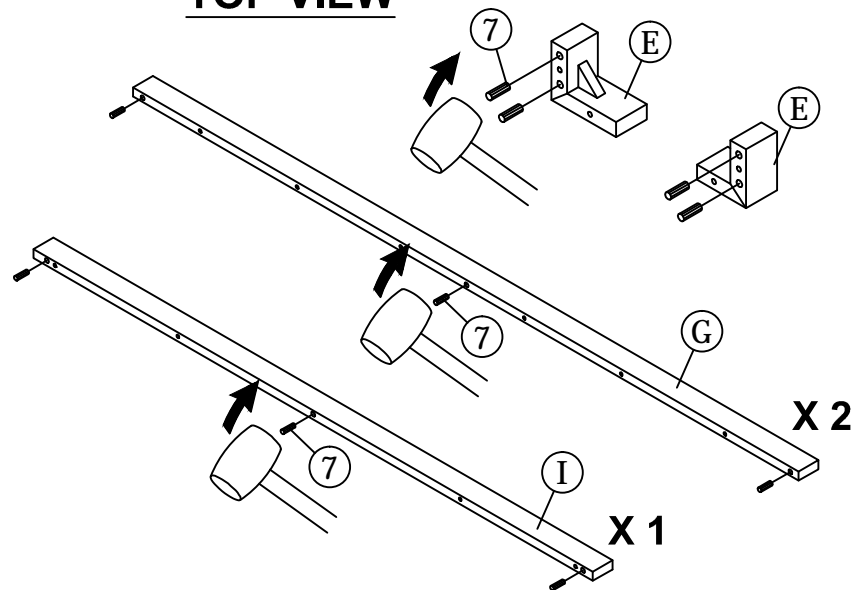


STEP 4



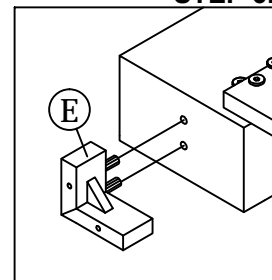
STEP 5

TOP VIEW

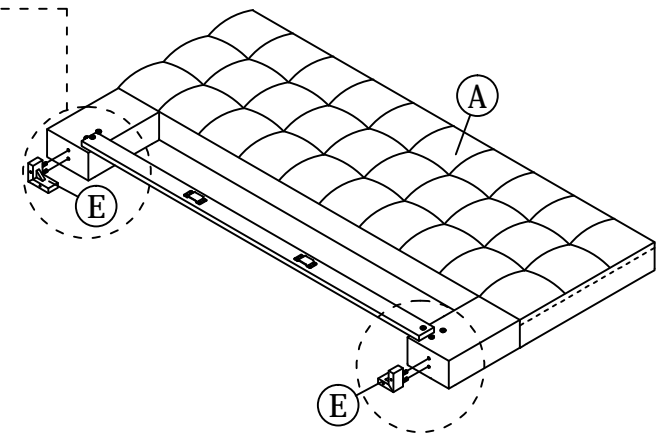
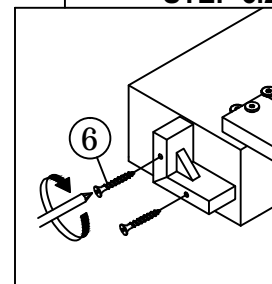


STEP 6

STEP 6.1

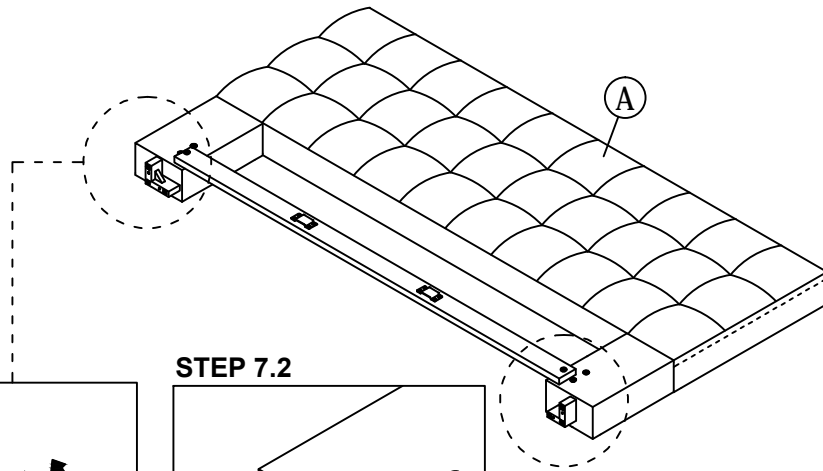


STEP 6.2

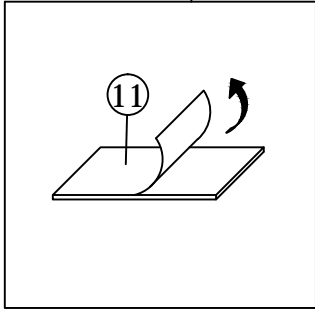


ASSEMBLY INSTRUCTIONS

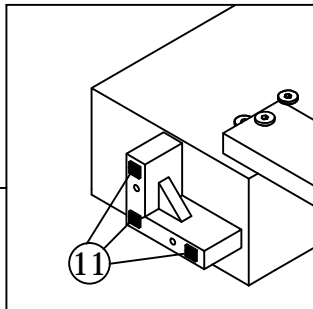
STEP 7



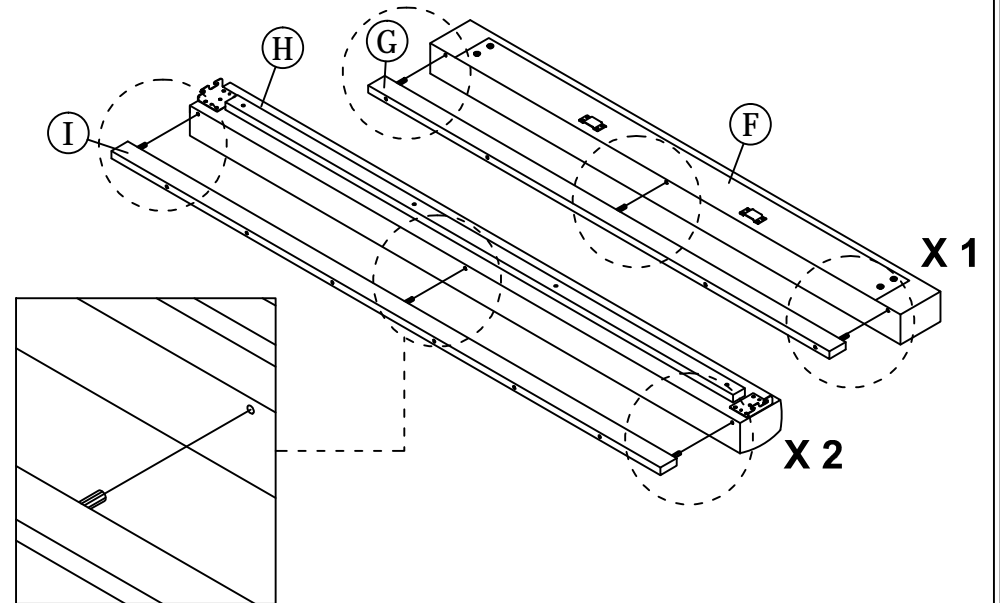
STEP 7.1



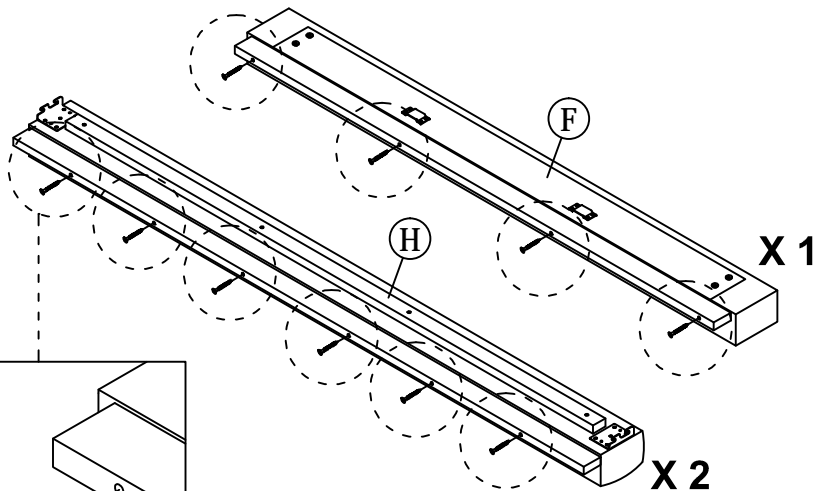
STEP 7.2



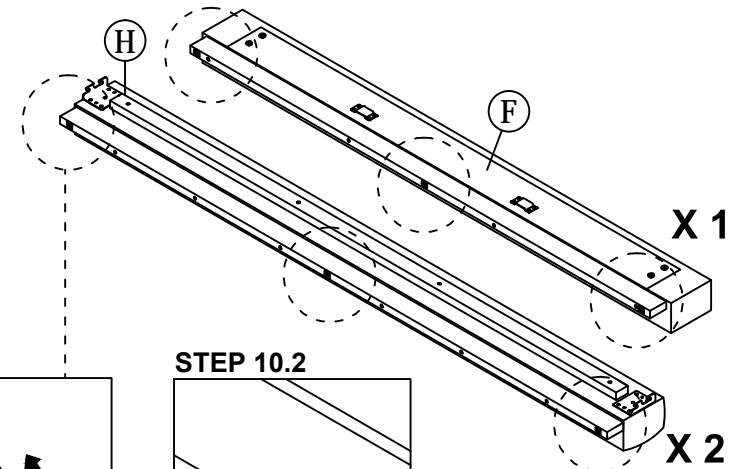
STEP 8



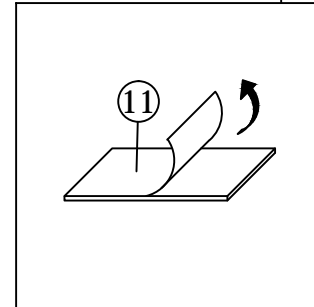
STEP 9



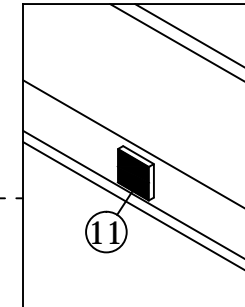
STEP 10



STEP 10.1

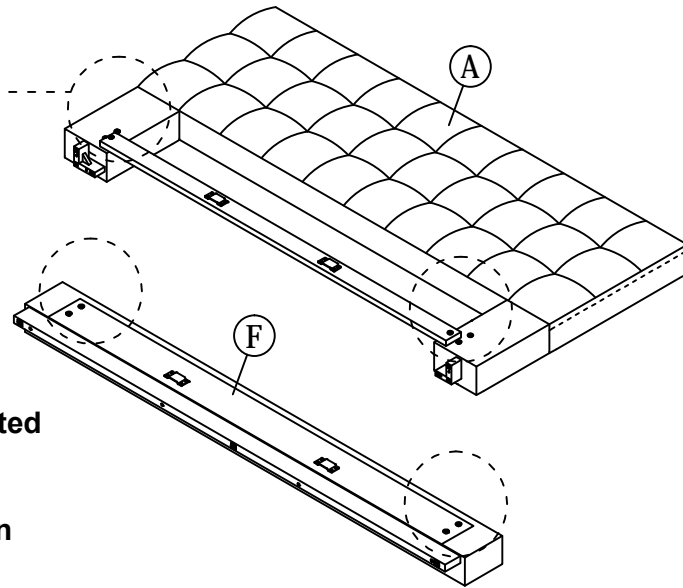
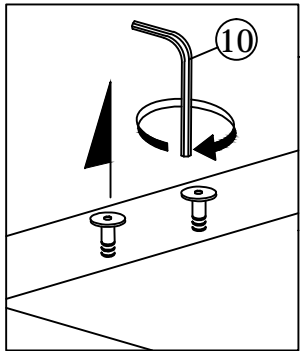


STEP 10.2



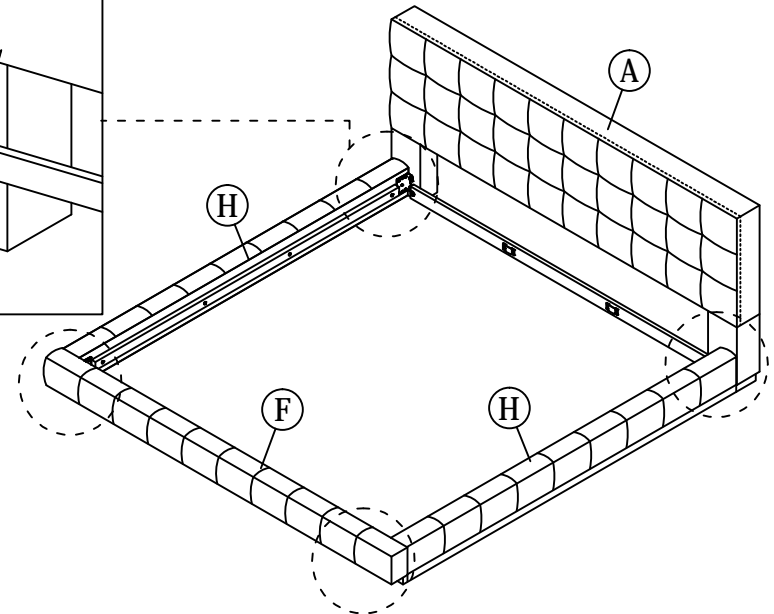
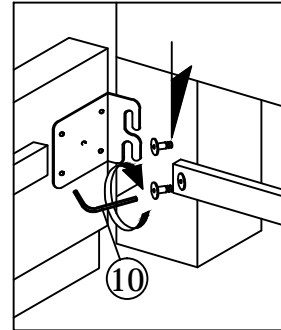
ASSEMBLY INSTRUCTIONS

STEP 11

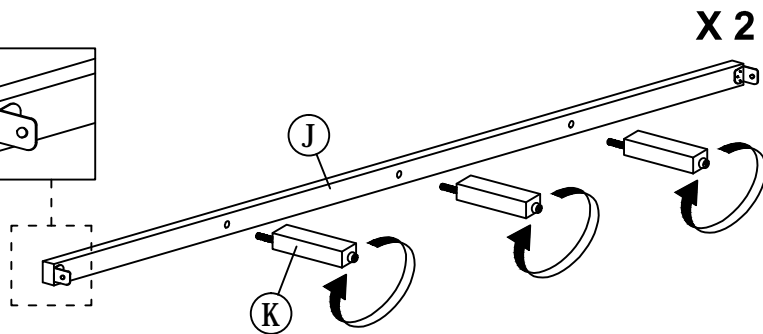
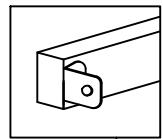


Loosen the pre-inserted bolt on the headboard and footboard using Allen key ball shape (10).

STEP 12

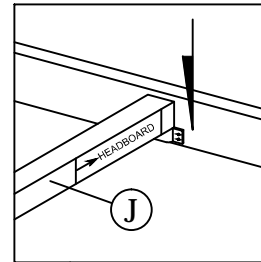


STEP 13



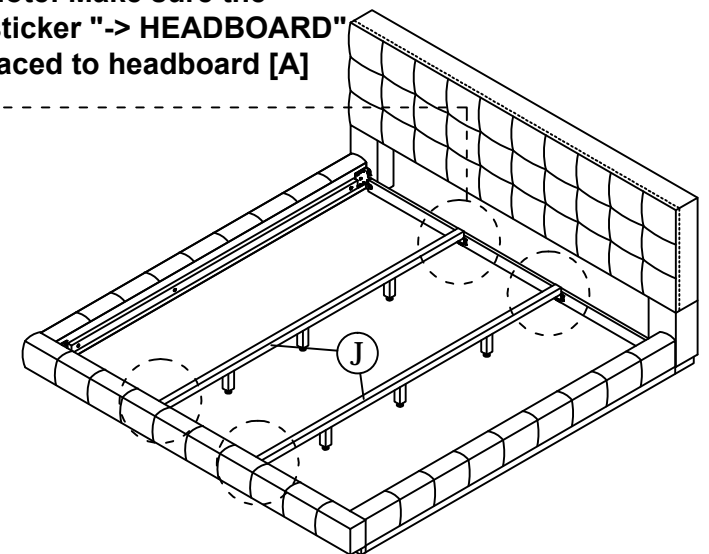
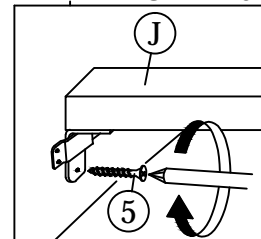
STEP 14

STEP 13.1



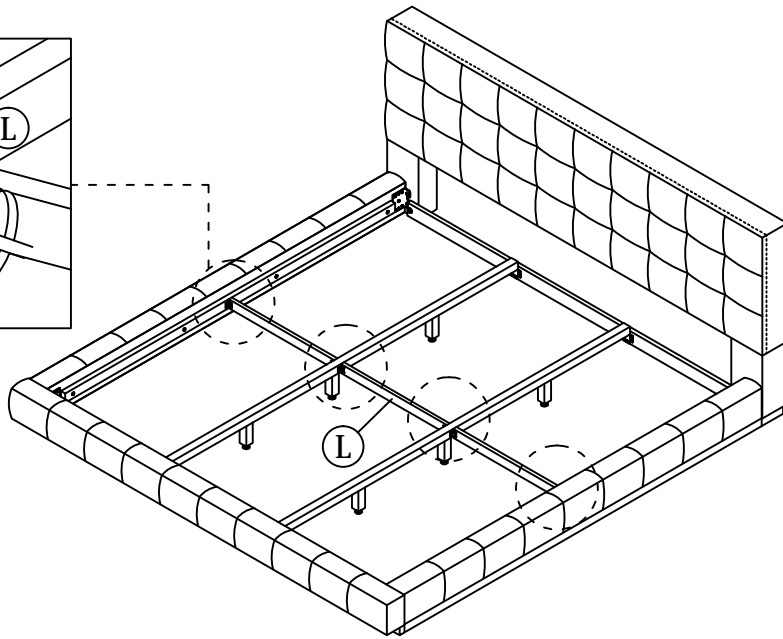
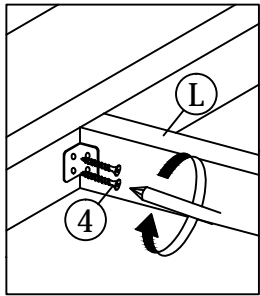
Note: Make sure the sticker "-> HEADBOARD" faced to headboard [A]

STEP 13.2

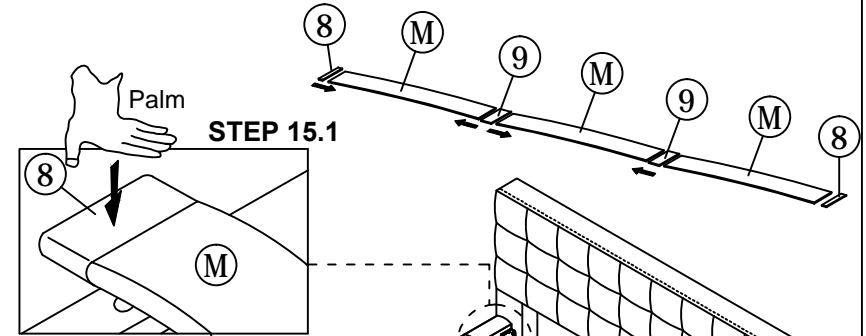


ASSEMBLY INSTRUCTIONS

STEP 15

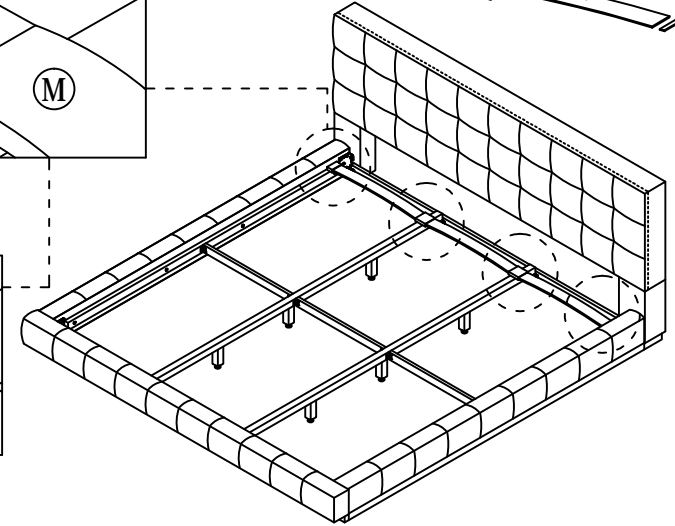
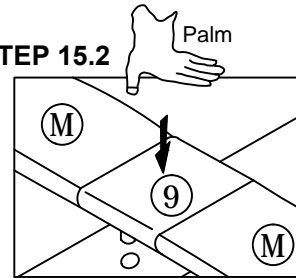


STEP 16

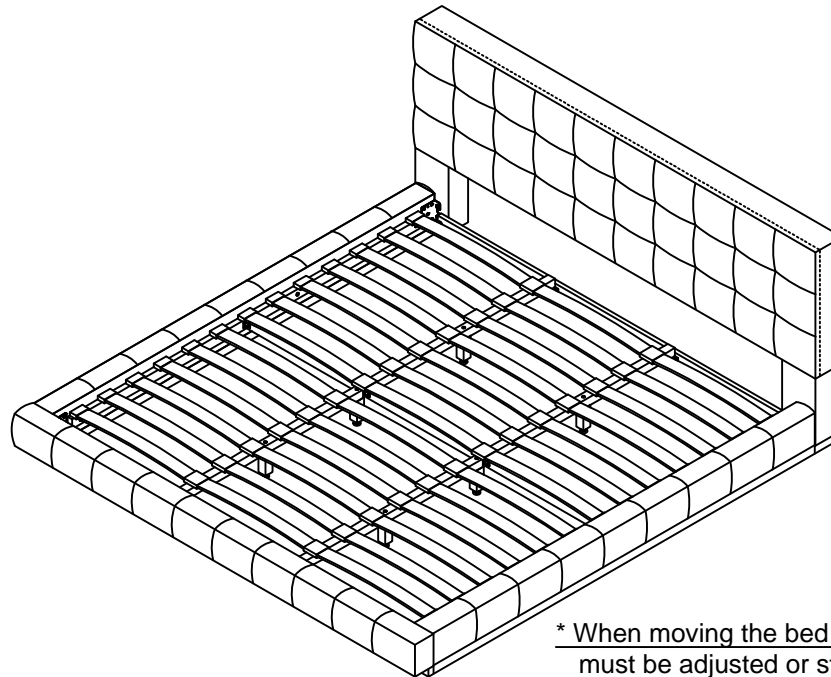


STEP 15.1

STEP 15.2



STEP 17



* When moving the bed position, the center support legs must be adjusted or straightened to avoid any broken problems.