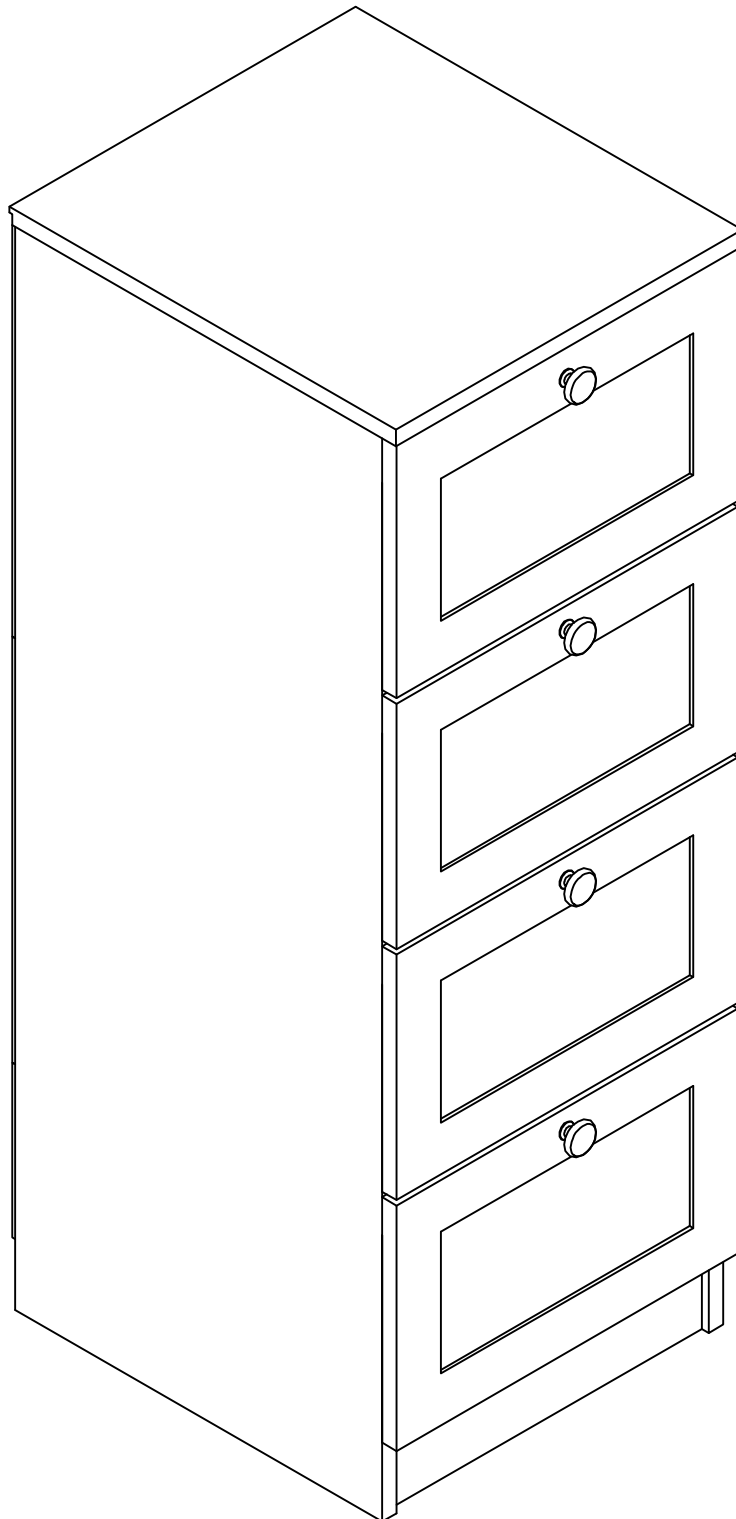


4 DRAWER CHEST

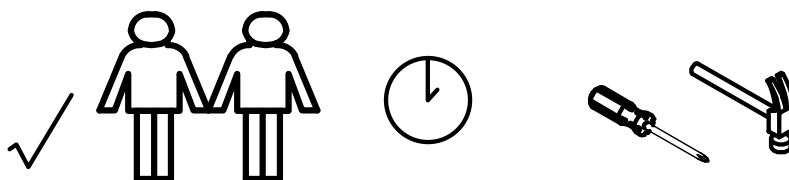
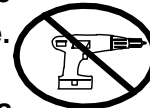
ASSEMBLY INSTRUCTION - Please Keep For Future Reference



Safety and Care Advice

IMPORTANT - Please Read This Instruction Carefully Before Assembly.

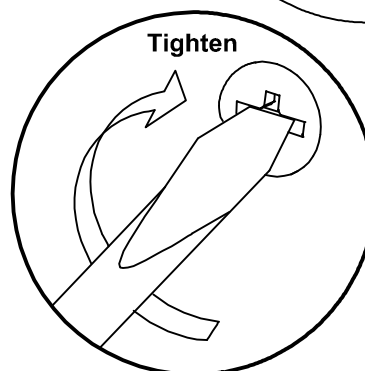
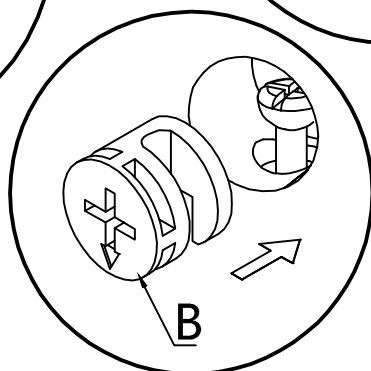
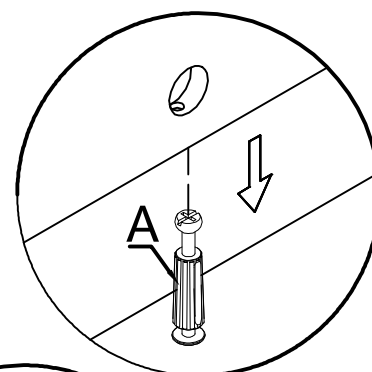
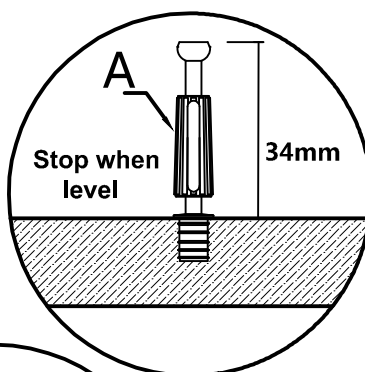
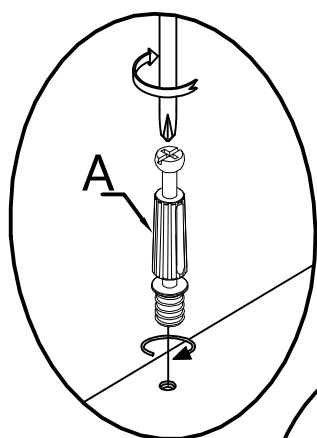
- Check you have all the components and tools listed on page 3.
- Remove all settings from the plastic bags and separate them into their groups.
- Keep children and animals away from the work area, small parts could choke if swallowed.
- Make sure you have enough space to layout the parts before assembly.
- Do not stand or put weight on the product, this could cause damage.
- Assemble the item as close to its intended position (in the same room) as possible.
- Assemble on a soft level surface to avoid damaging the unit.
- Parts of the assembly will be easier with 2 people.
- Do not use power drill/drivers for assembly, or the unit may be damaged.
- Dispose of all packaging carefully and responsibly.



CARE and MAINTENANCE

- Only clean using a damp cloth and mild detergent, do not use bleach or abrasive cleaners.
- From time to time check that there are no loose screws on this unit.
- This product should not be discarded with household waste. Take to your local authority waste disposal center.

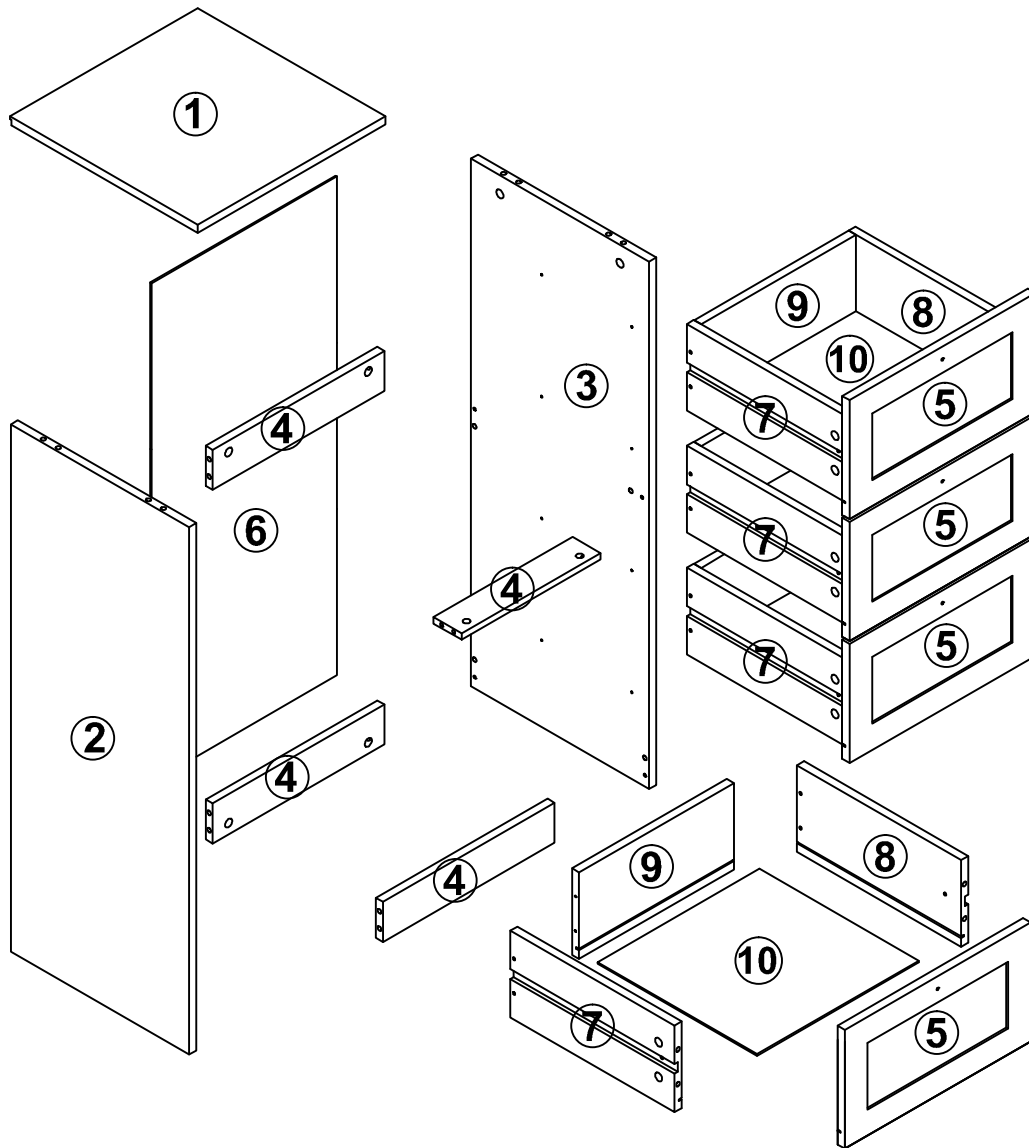
General Hints & Tips

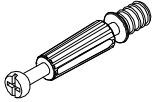
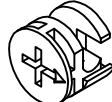
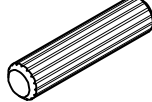

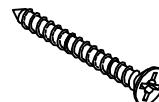

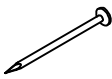

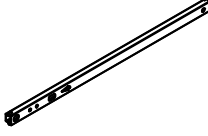
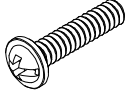

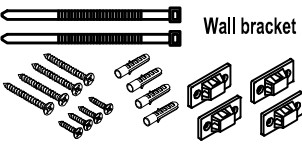


Components and Tools

IMPORTANT - Please Check If You Have All The Components and Tools.



Note: The quantities below are the correct amount to complete the assembly. In some cases more pieces may be supplied than are required.

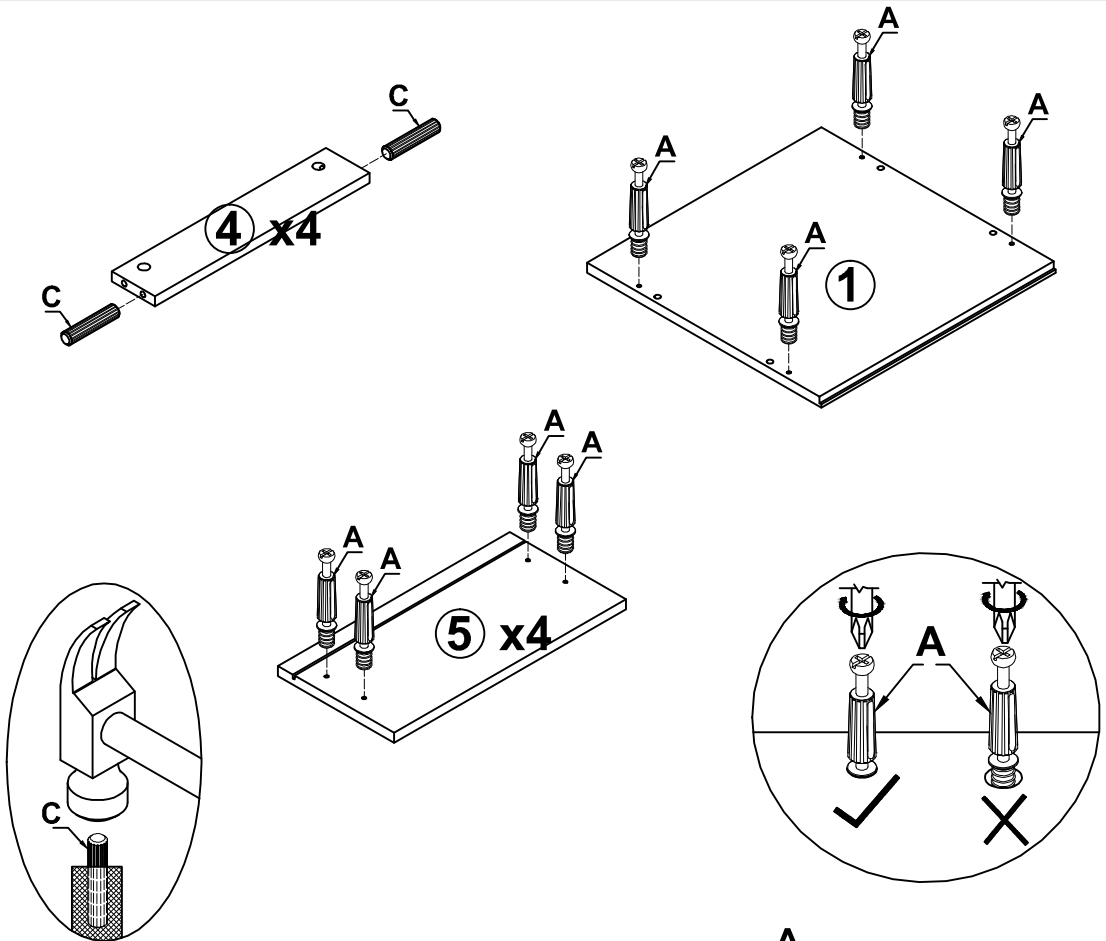


<p>A=28</p>  <p>Peg M6*34mm</p>	<p>B=28</p>  <p>Lock M15*12mm</p>	<p>C=12</p>  <p>Dowel M8*30mm</p>	<p>D=16</p>  <p>Screw M3.5*14mm</p>	<p>E=16</p>  <p>Screw M4*38</p>	<p>F=4</p>  <p>Plastic Feet</p>
<p>G=14</p>  <p>Pin</p>	<p>H=8</p>  <p>Screw M4*12mm</p>	<p>J=8</p>  <p>Drawer Runner</p>	<p>I=4</p>  <p>Screw M4*18</p>	<p>K=4</p>  <p>Handle O5</p>	
<p>P=1</p>  <p>Wall bracket</p>					





Assembly Instruction

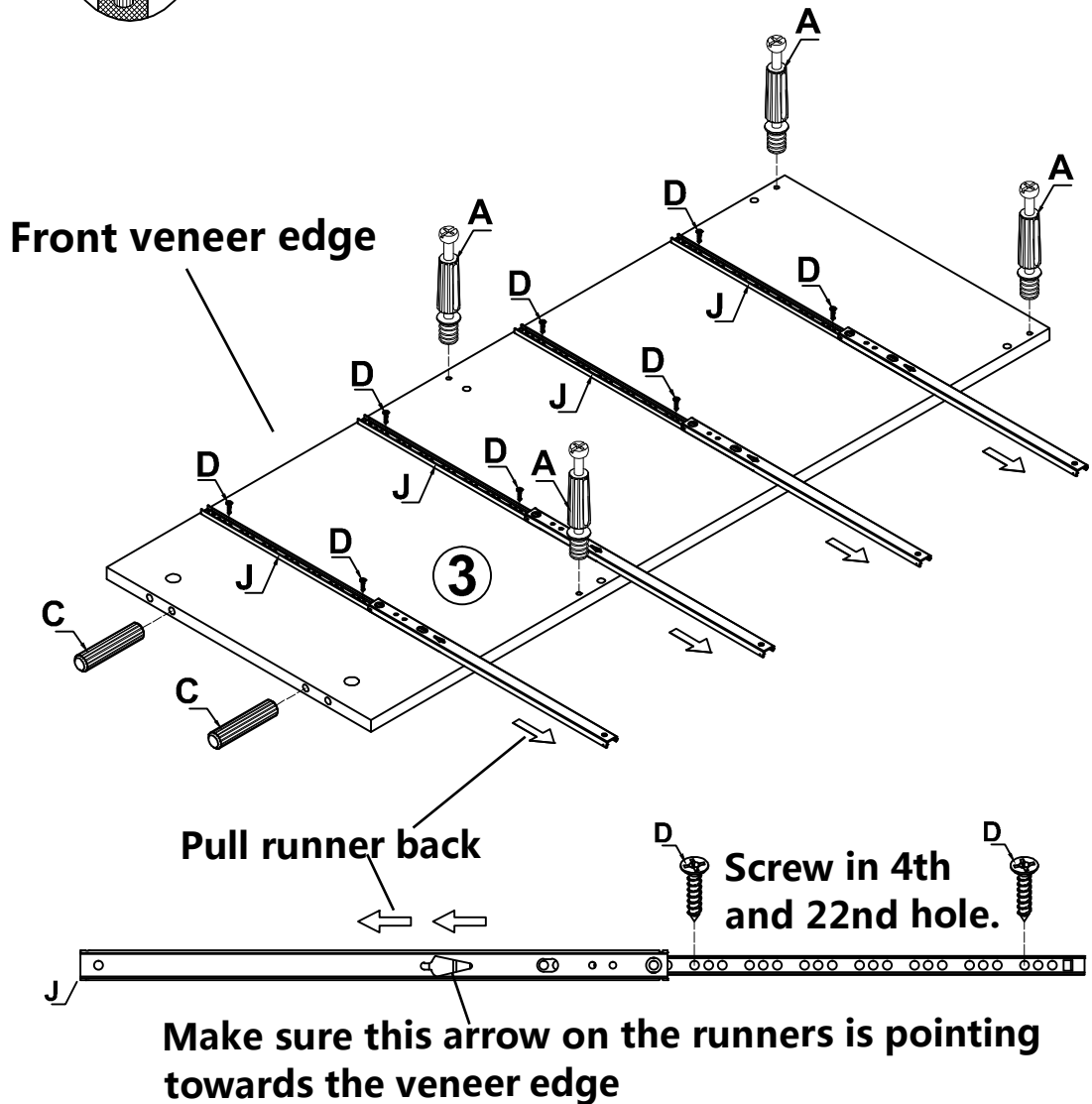
Step 1

A=20	C=8
	
Peg	Dowel



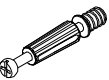
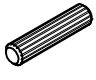


Step 2

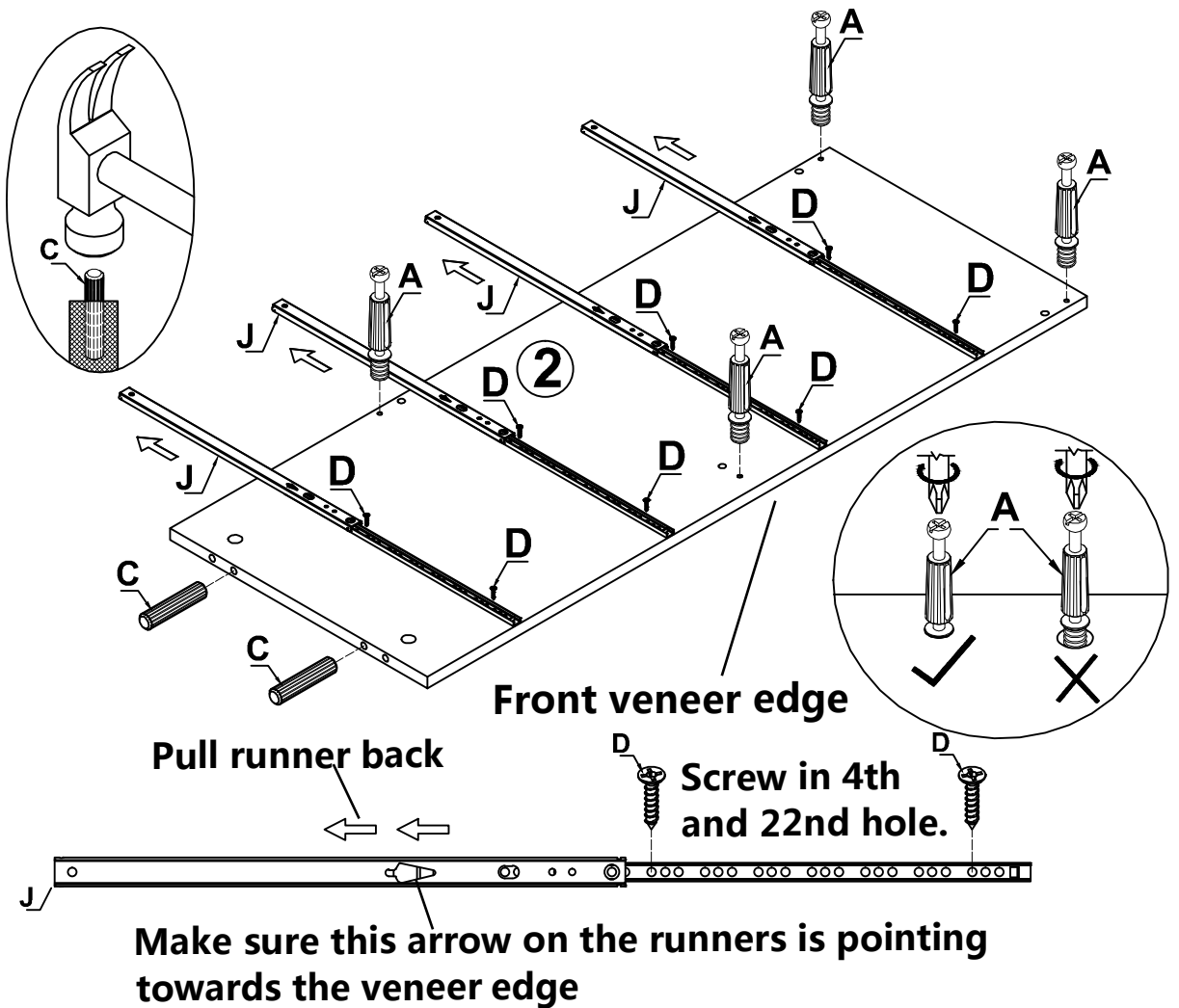
A=4	C=2
	
Peg	Dowel
J=4	D=8
	
Drawer Runner	Screw M3.5*14mm



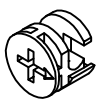
Assembly Instruction

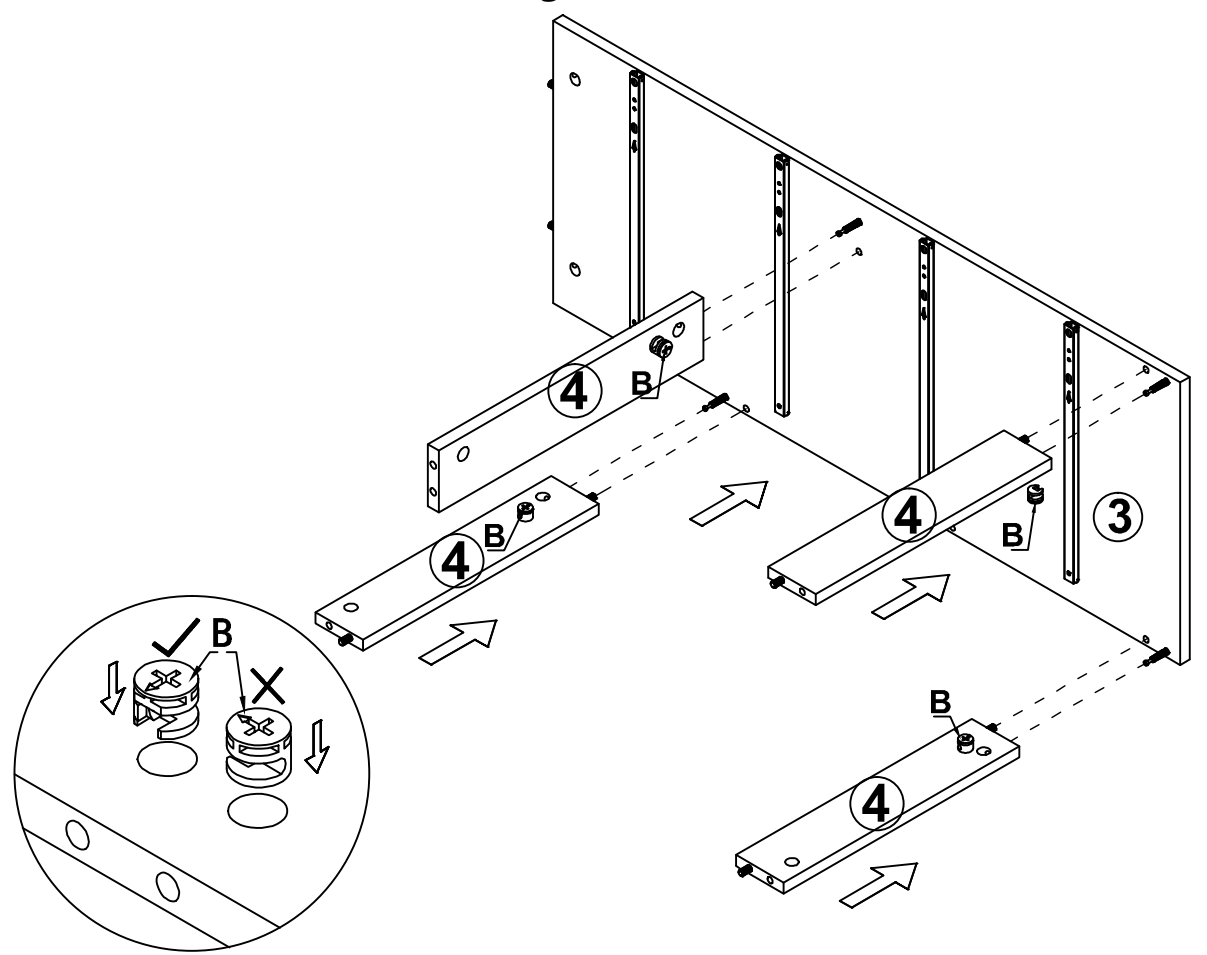
Step 3

A=4	C=2
	
Peg	Dowel
J=4	D=8
	
Drawer Runner	Screw M3.5*14mm



Step 4

B=4	
	
Lock	



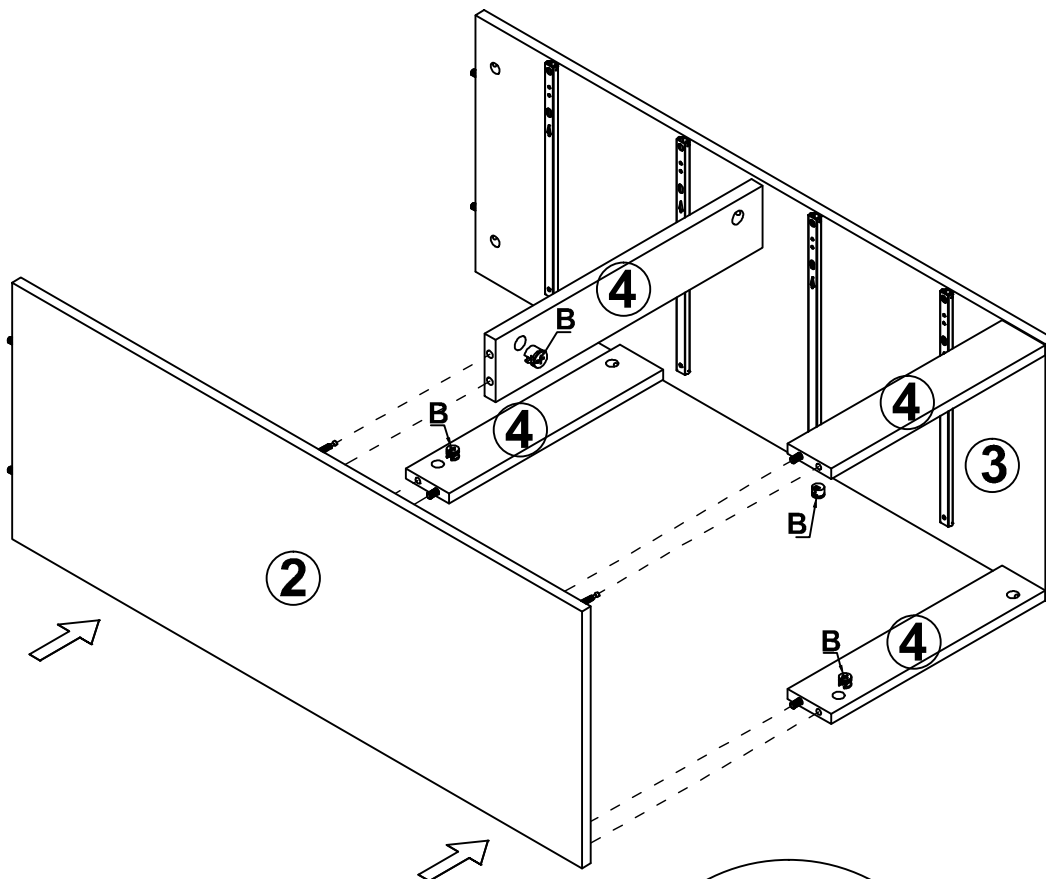
Assembly Instruction

Step 5

B=4



Lock

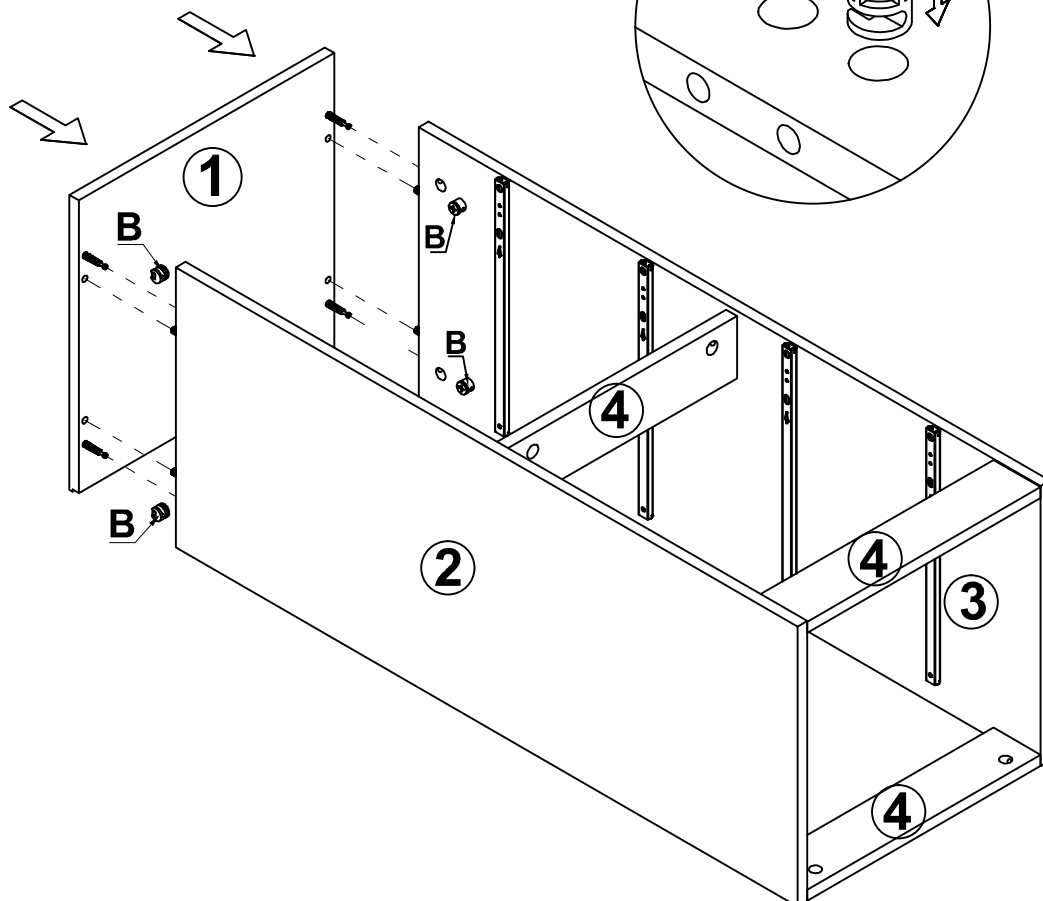


Step 6

B=4



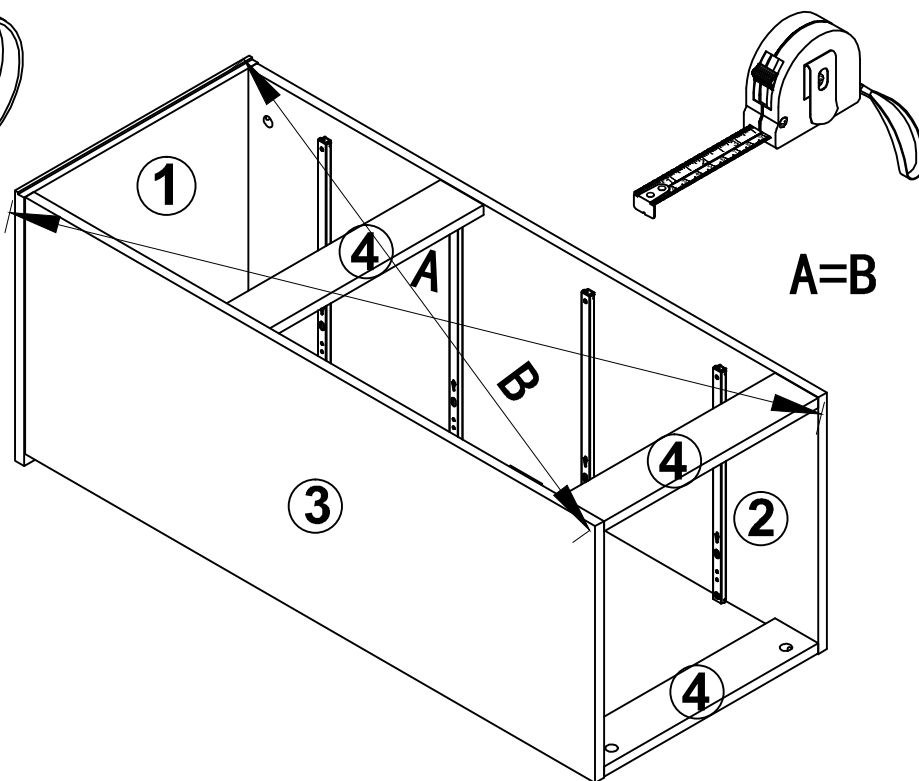
Lock



Assembly Instruction

Step 7

Turn Over
180°



Step 8

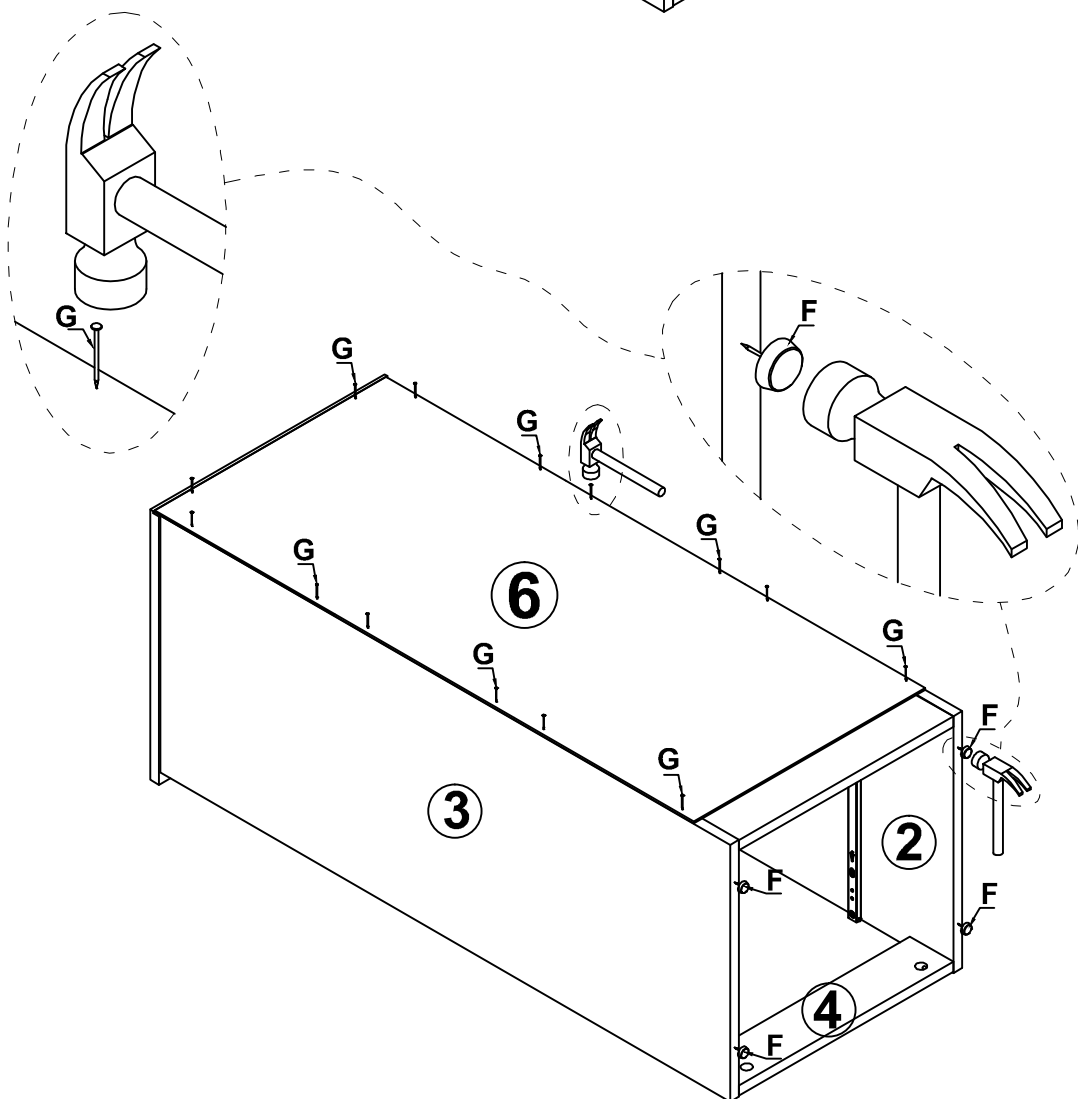
G=14

F=4



Pin

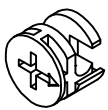
Plastic
Feet



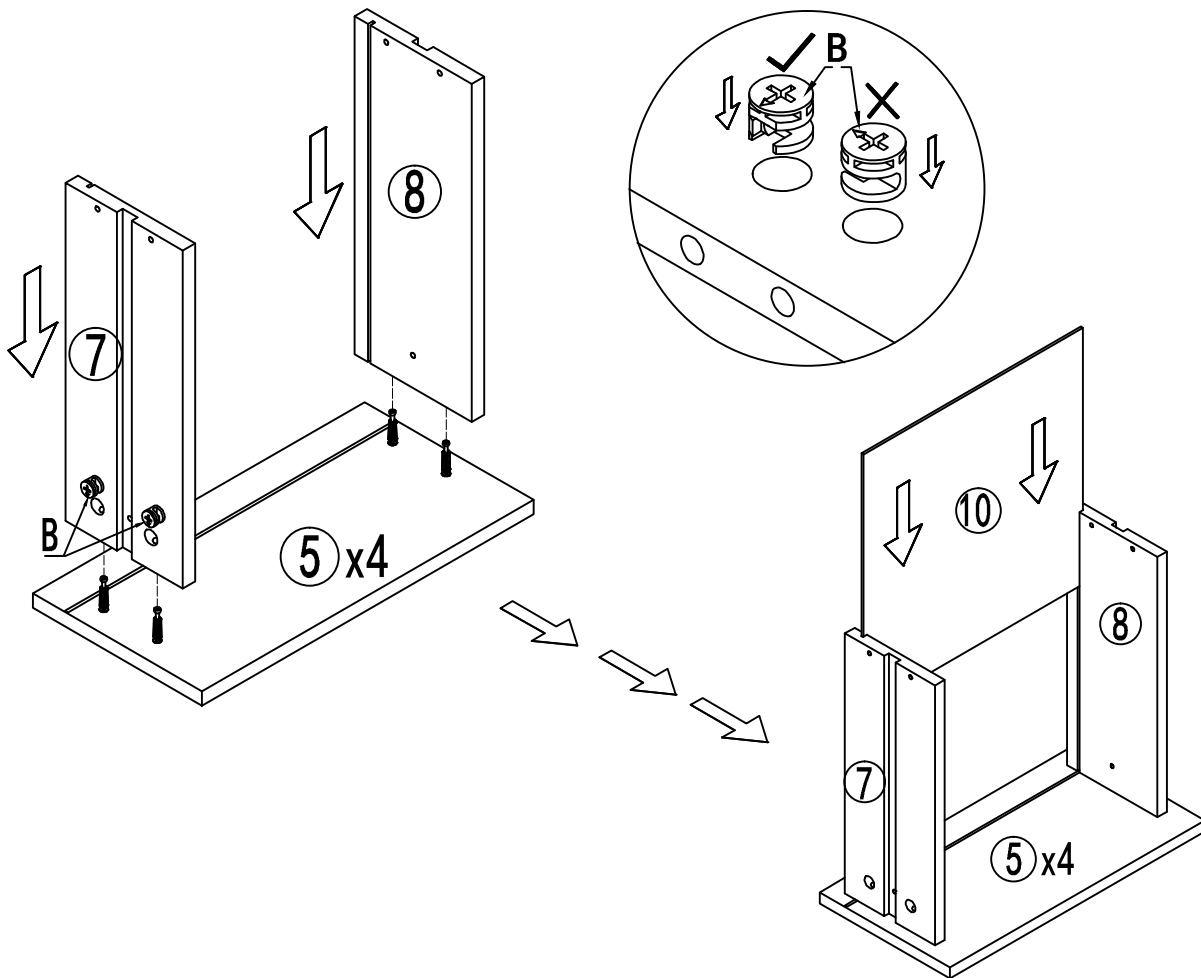
Assembly Instruction

Step 9

B=16



Lock



Step 10

E=16

K=4



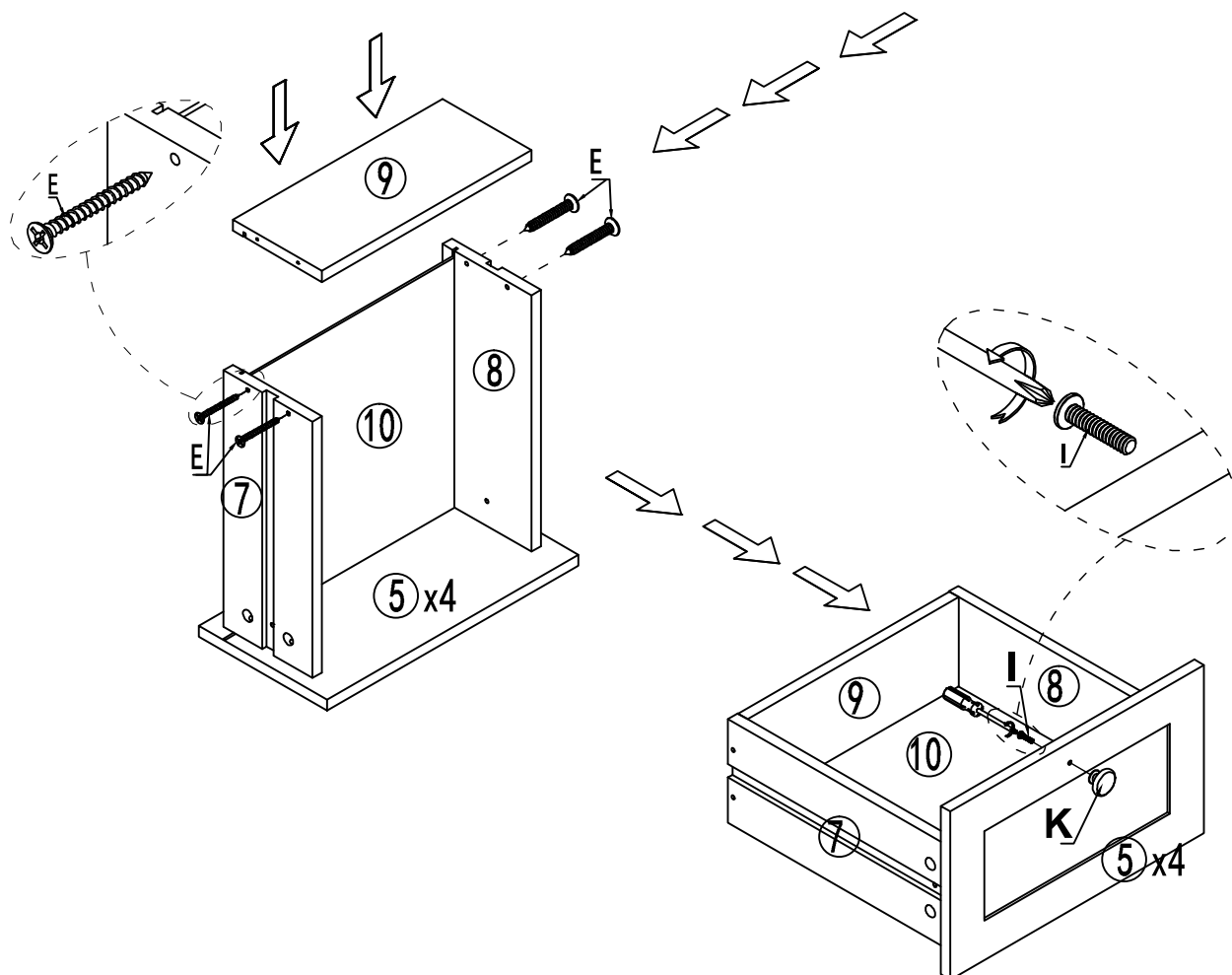
Screw
M4*38

Handle

I=4

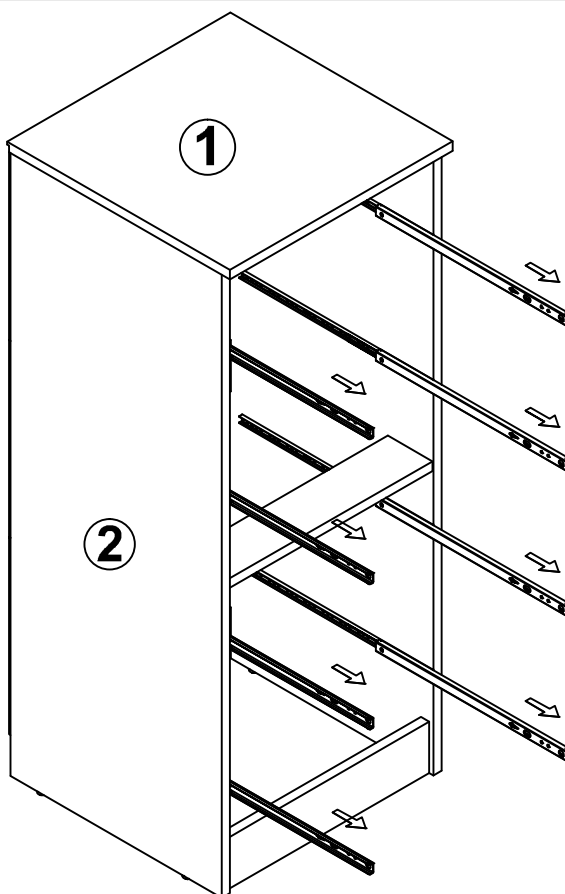


Screw

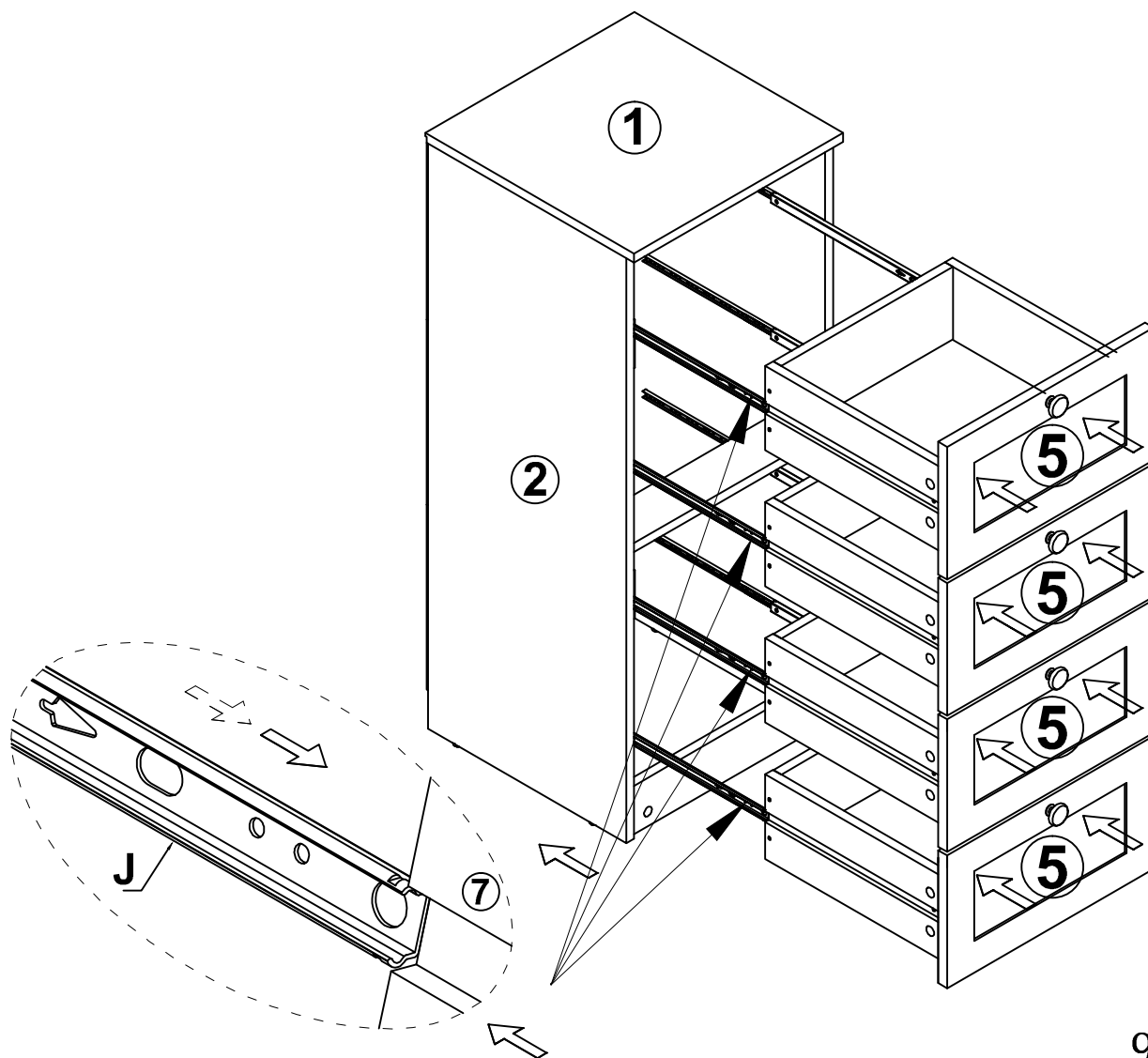


Assembly Instruction

Step 11



Step 12



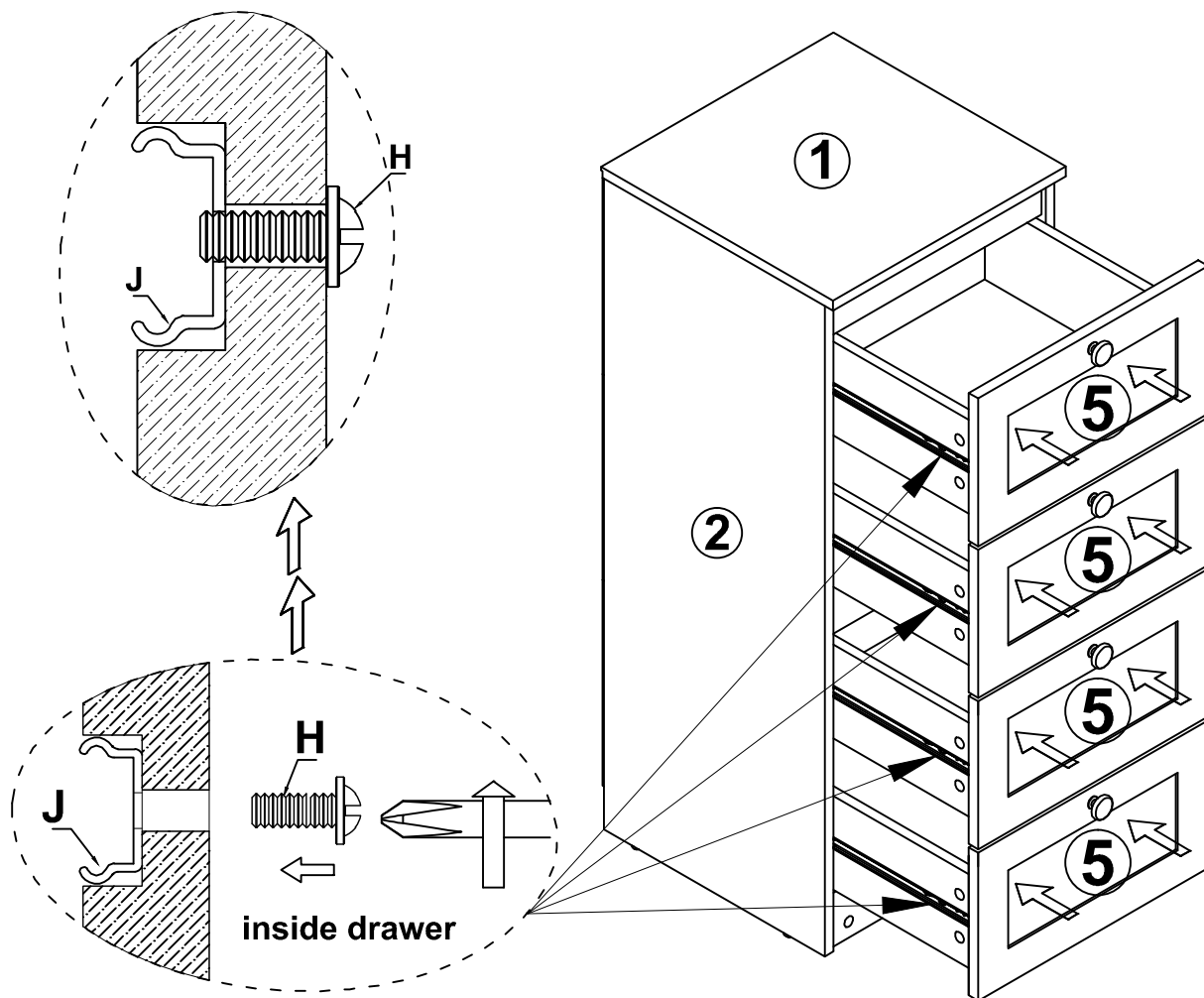
Assembly Instruction

Step 13

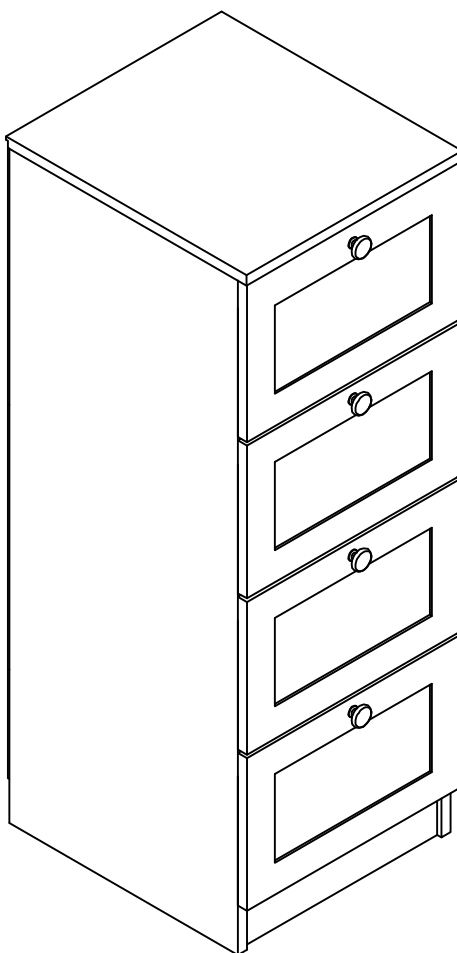
H=8



Screw
M4*12mm



Step 14

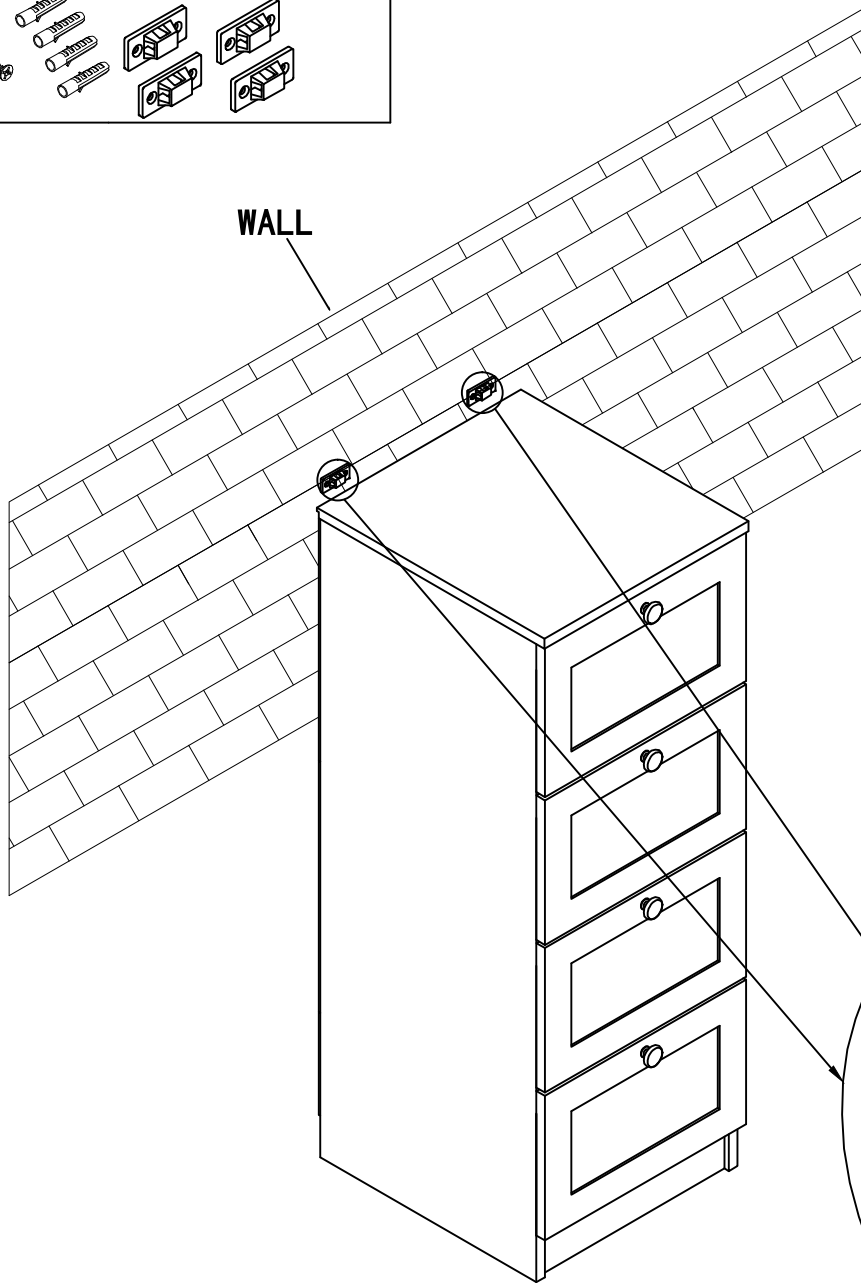
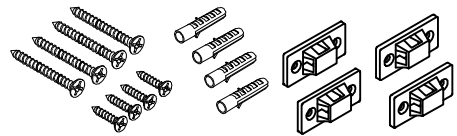


OK

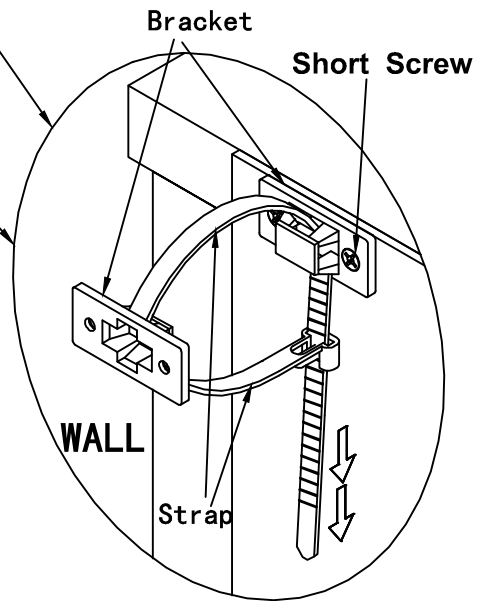
P=1



Wall bracket



WALL

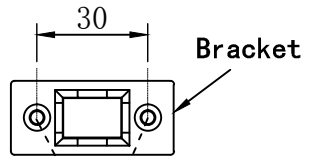


Bracket

Short Screw

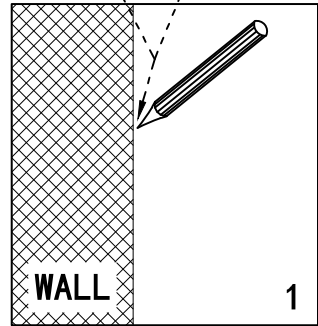
WALL

Strap



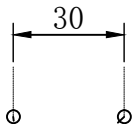
Bracket

30



WALL

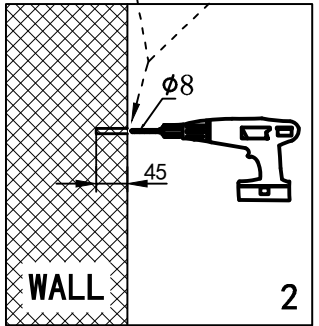
1



30

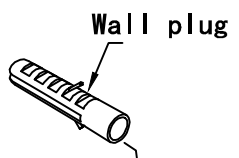
Ø8

45

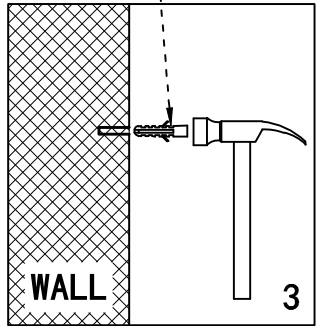


WALL

2

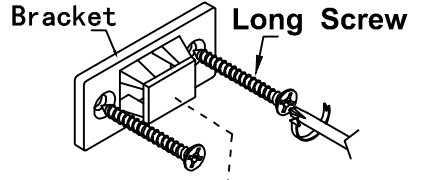


Wall plug



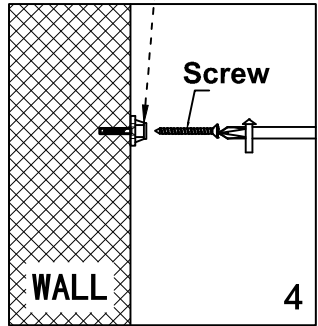
WALL

3



Bracket

Long Screw



Screw

WALL

4