



RTA TALL CABINET

Model# RTA361872-BLK

ASSEMBLY GUIDE

Questions, problems, missing parts?
Contact us directly for assistance:

7 a.m. - 5 p.m., CST, Monday-Friday



Chat: www.edsal.com

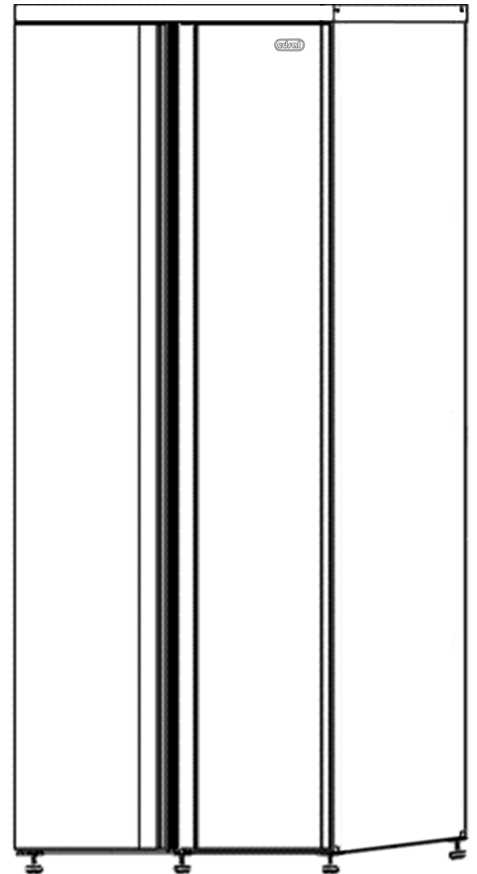


Email: support@edsal.com



Phone: 1-773-475-3131

To obtain replacement parts please provide:
Model Number, Description and Date of Purchased.



EDSAL MANUFACTURING CO, LLC | 1555 W. 44TH STREET | CHICAGO, IL 60609 | www.edsal.com

THANK YOU FOR YOUR PURCHASE

rev: C041723_V2

SAFETY INFORMATION

 **WARNING: TO REDUCE THE RISK OF SERIOUS INJURY, READ AND FOLLOW THE SAFETY INSTRUCTIONS BELOW BEFORE ASSEMBLING AND USING THIS PRODUCT.**

- This product is intended for indoor use only.
- This product is not designed for commercial or industrial usage.
- Use at least two people to assemble and move this product. Failure to do so can result in personal injury or product damage.
- Any assembly or maintenance of this product must be carried out by adults only.
- Keep the product on a level surface. The product could become unstable and may tip over if stored or moved on an uneven surface, which may cause product damage, personal injury, or death.
- Do not leave children unattended near this product. Cabinet can tip over if improperly opened.
- DO NOT stand on this product or use it as a ladder or scaffold.
- DO NOT alter this product in any manner.
- DO NOT put anything on the top panel of this product.
- Do not exceed the maximum load capacity for each shelf and the entire unit.
- Retain this manual for future reference.

SPECIFICATIONS

Cabinet Dimensions: 36 in. W x 18 in. D x 72 in. H

Maximum load capacity for each shelf and bottom level: 300 lbs. / 136 kg

Maximum load capacity for the entire unit: 1200 lbs. / 544.3 kg

WARRANTY

Edsal Manufacturing Company, LLC products are guaranteed for a period of one (1) year from the date of purchase. The **SOLE AND EXCLUSIVE REMEDY** for such defects is the repair or replacement of a defective product or parts thereof by Edsal Manufacturing Company, LLC or, at Edsal Manufacturing Company, LLC option, refund of the purchase price upon return of the item to Edsal Manufacturing Company, LLC. This warranty shall not apply in the event the products are damaged as a result of misuse, neglect, accident, moisture, improper application, improper assembly, or assembly not in conformity with the instructions of Edsal Manufacturing Company, LLC, failure to abide by safety precautions prescribed by Edsal Manufacturing Company, LLC or modification or repair by persons not authorized by Edsal Manufacturing Company, LLC.

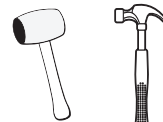
PRE-INSTALLATION

- Begin by placing the package on a flat surface. Use a rug to protect the cabinet and floor.
- Remove all parts and dispose/recycle all packaging materials.
- Check to make sure all parts are present.

TOOLS REQUIRED (not included):

Rubber Mallet or Soft Face Hammer

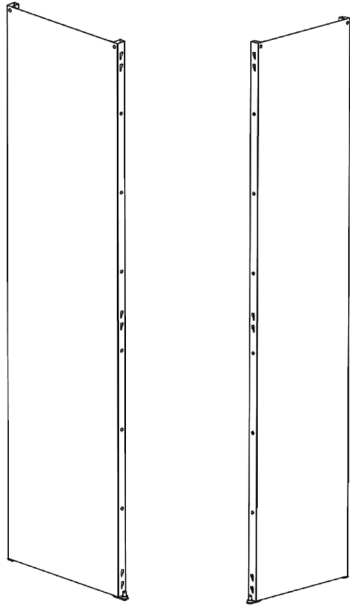
Note: If using a hammer, a cloth should be used over the parts to protect the paint.



Leveler



PACKAGE CONTENTS

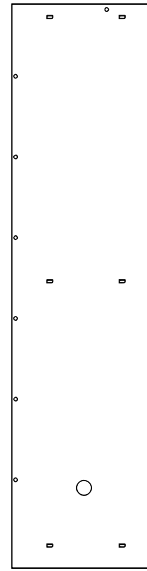


A (x1)
Left Side
Panel

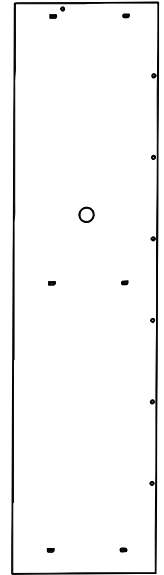
B (x1)
Right Side
Panel



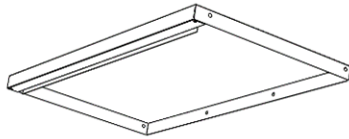
C (x6)
Beam



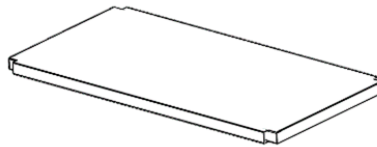
D (x1)
Left Back
Panel



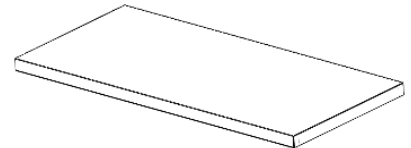
E (x1)
Right Back
Panel



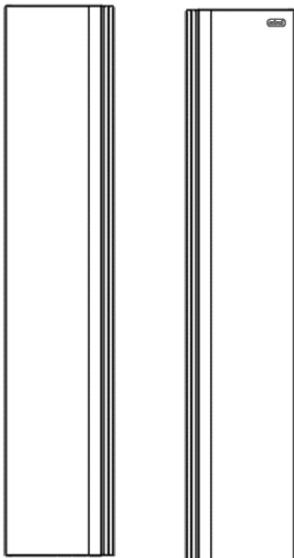
F (x1)
Top Panel



G (x2)
Fixed Shelf



H (x2)
Adjustable
Shelf



I (x1)
Left Door

J (x1)
Right Door



K (x4)
Leg Leveler



L (x8)
Shelf
Clip



M (x2)
Top Door
Hinge



N (x20)
Push Button Pin
(note: extra pins are included)

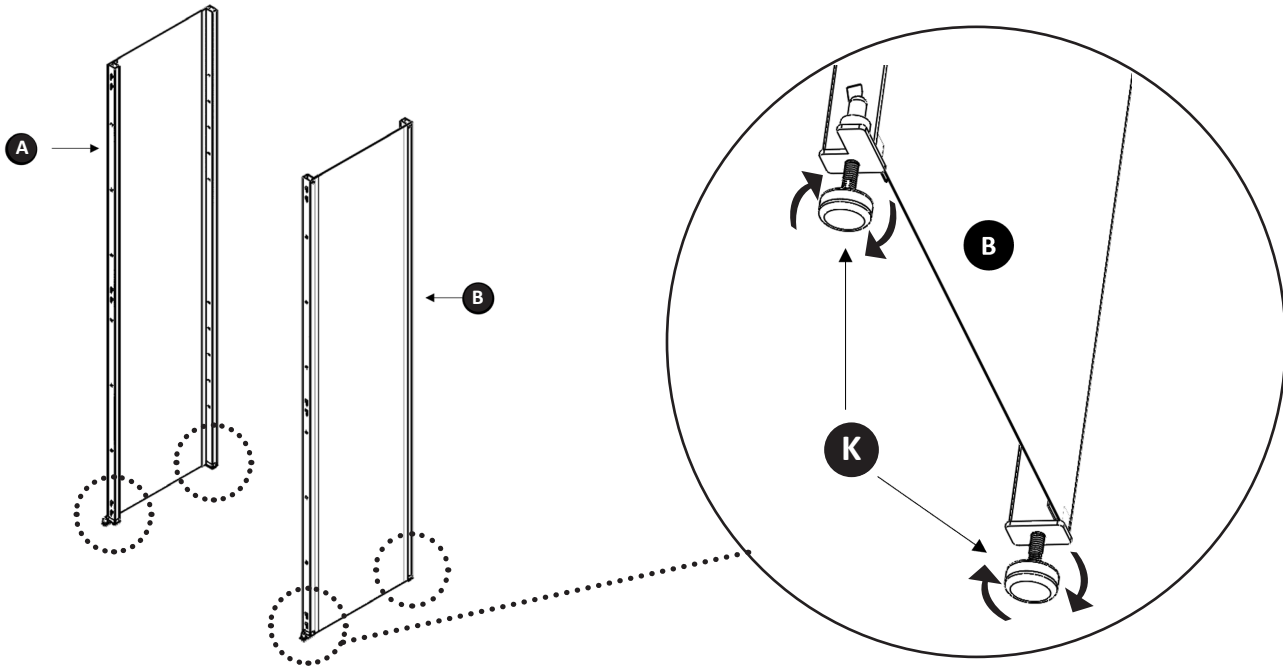


O (x2)
Rubber
Grommet

ASSEMBLY

STEP 1: INSTALL LEG LEVELERS

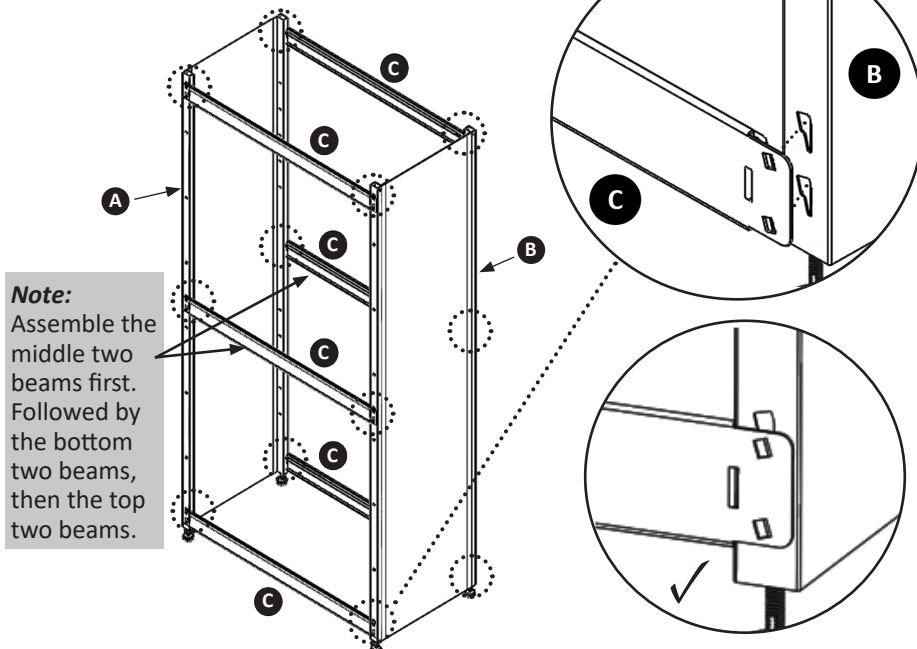
Insert Leg Levelers (K) into the bottom holes of Left Side Panel (A) and Right Side Panel (B).



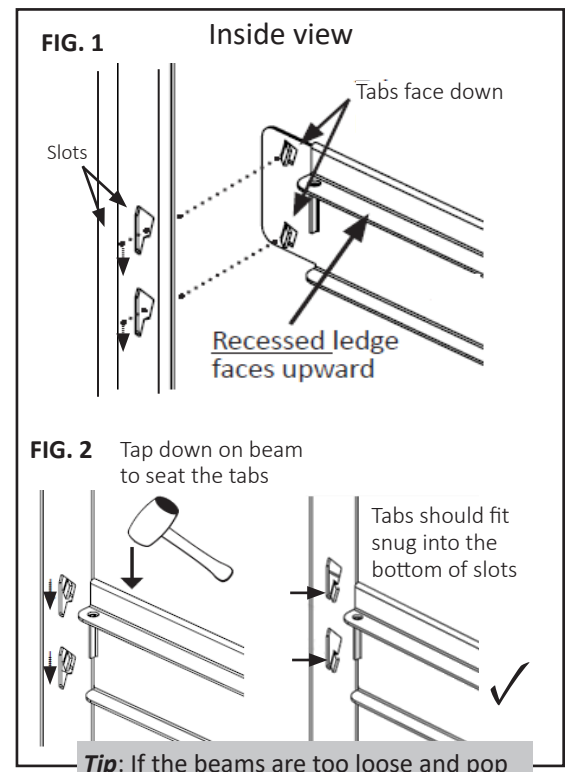
STEP 2: INSTALL BEAMS

Start by installing two Beams (C) to the middle section of Side Panels (A) and (B), both front and back. Do this by inserting the two end tabs on each side of the beam into the two slots of each side panel. Be sure the tabs are facing downward and the ledge is facing upward when installing the beams (see Fig. 1). Use a rubber mallet or hammer (with a cloth) to lightly tap down on the beam to secure the tabs into the bottom of the slots (see Fig. 2). **Note:** If the beams are too loose and pop up, the tabs may need to be lightly pressed inward, this will ensure a tighter fit into the bottom of the slots. Repeat the steps to install two Beams (C) into the bottom section, followed by installing two Beams (C) into the top section, both front and back.

Tip: Recommended two-person assembly for this step.



Note: Assemble the middle two beams first. Followed by the bottom two beams, then the top two beams.

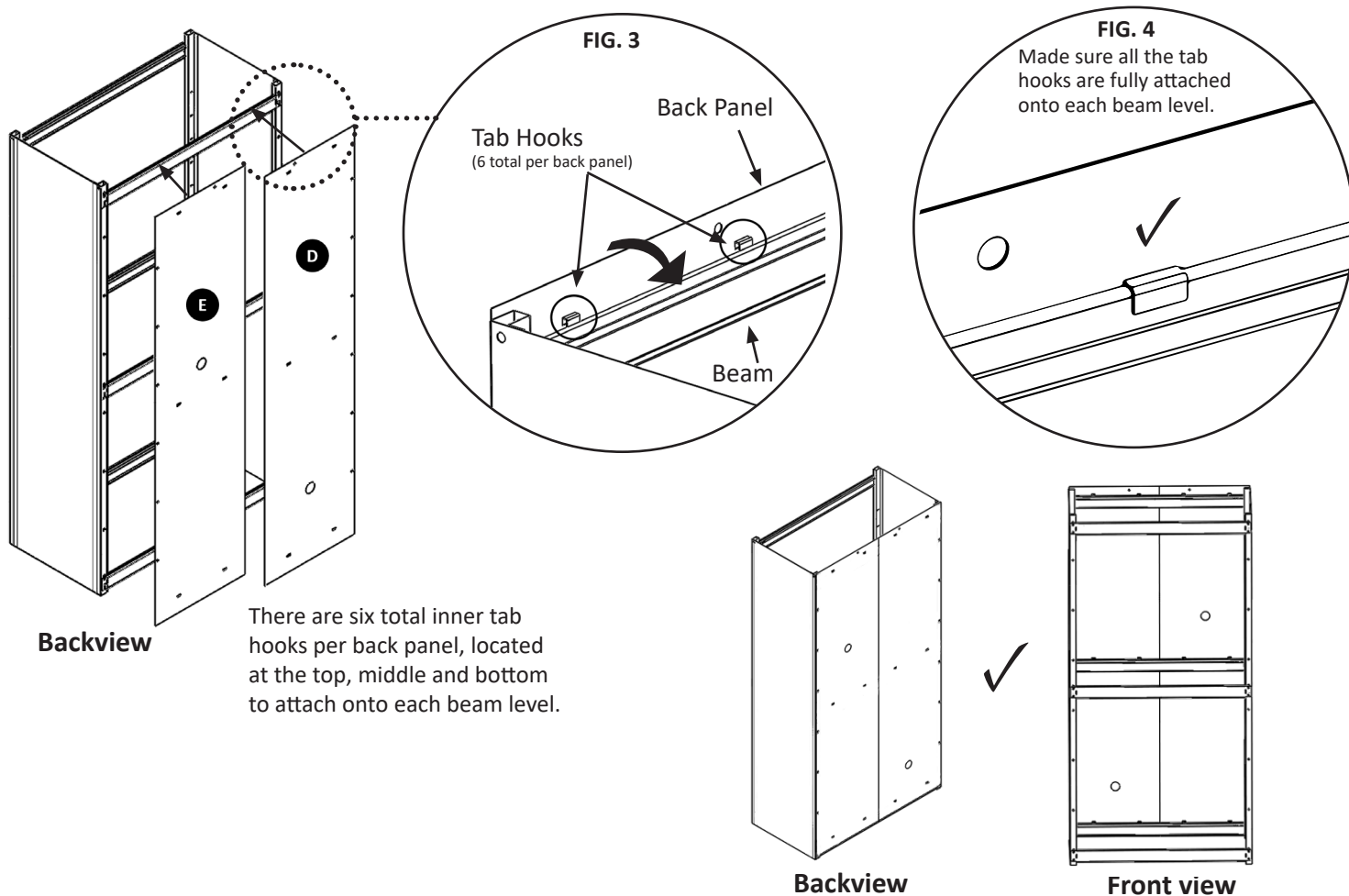


Tip: If the beams are too loose and pop up, adjust the tabs by gently pressing them inward to ensure a tighter fit.

ASSEMBLY (Continued)

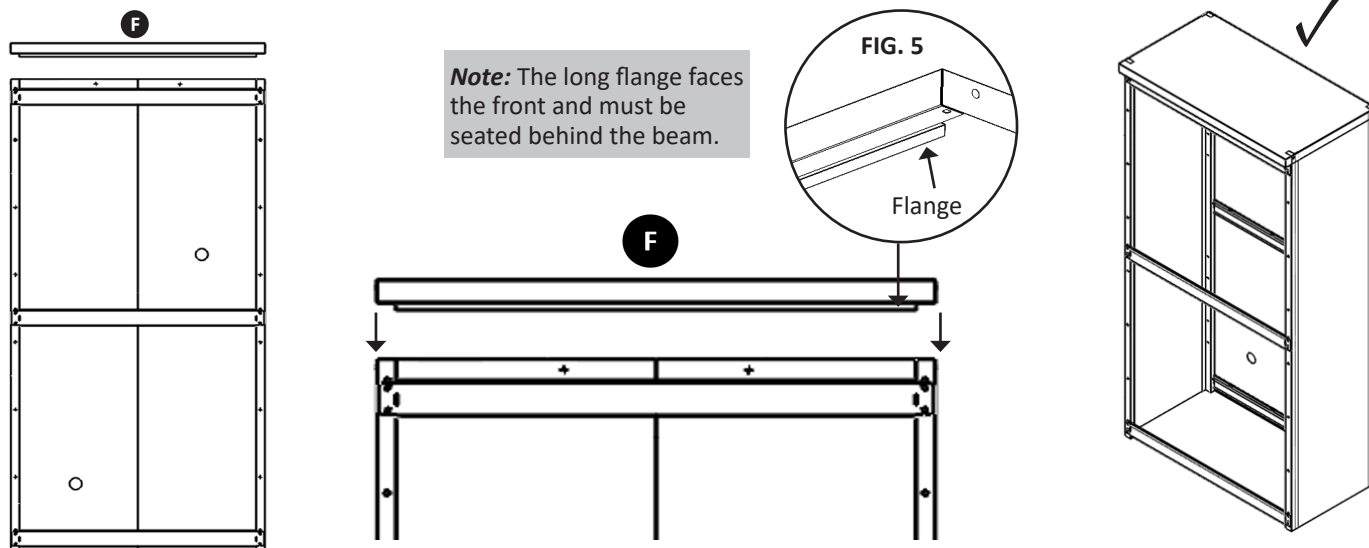
STEP 3: INSTALL BACK PANELS

Attach the Left Back Panel (D) and Right Back Panel (E) onto the backside of each beam level. Do this by attaching each of the tab hooks, located at the top, middle and bottom of each inner back panel, onto each beam level (see Fig 3). Be sure all the tab hooks are fully attached onto each beam (see Fig. 4).



STEP 4: INSTALL TOP PANEL

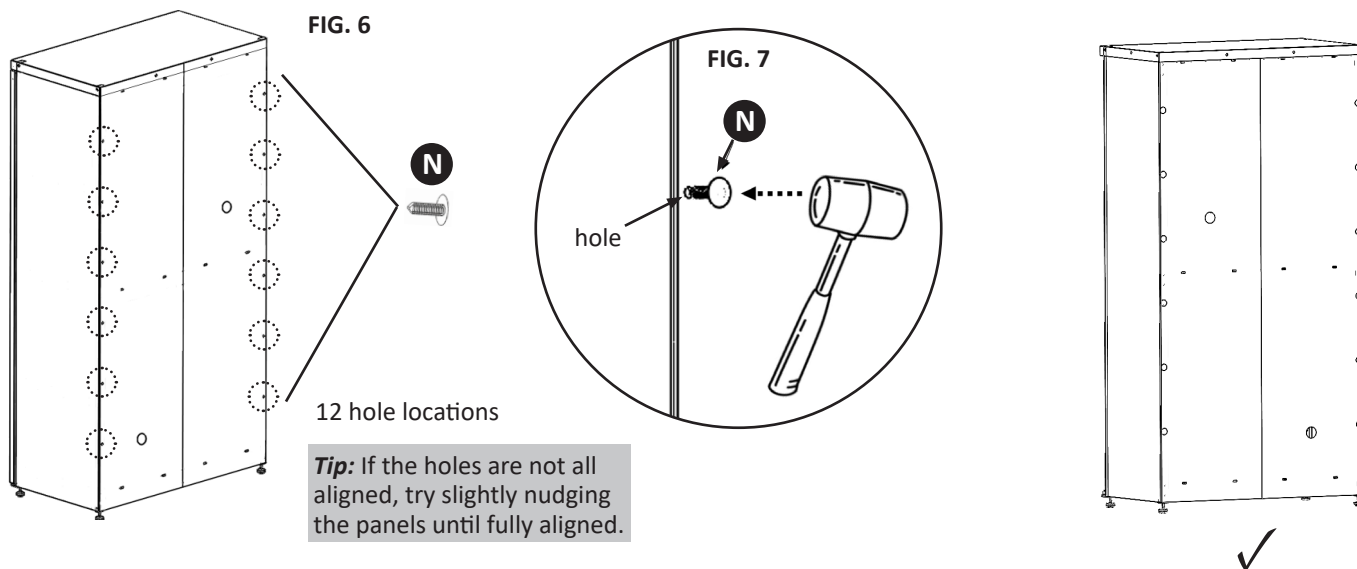
Insert the Top Panel (F) over the side and back panels with the long flange facing the front (see Fig. 5). The long flange must be seated behind the beam.



ASSEMBLY (Continued)

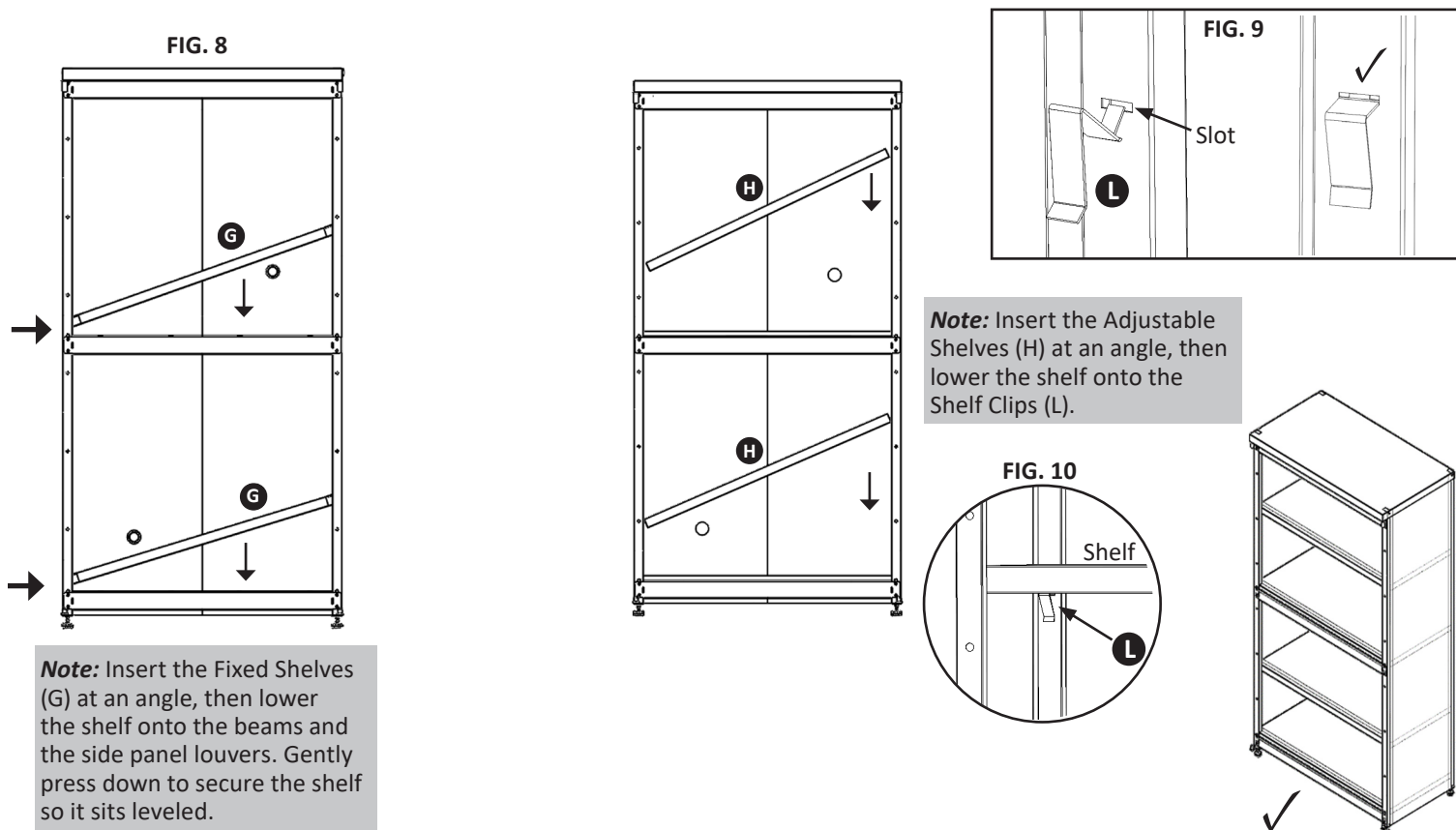
STEP 5: INSTALL PUSH BUTTON PINS TO BACK PANELS

First be sure all holes from the back panel align with the holes from the side panels (see Fig. 6 for hole locations). Install 12 Push Button Pins (N) into the 12 hole locations shown (see Fig. 6). Use a rubber mallet to gently tap in the push button pins until fully engaged (see Fig. 7).



STEP 6: INSTALL SHELVES

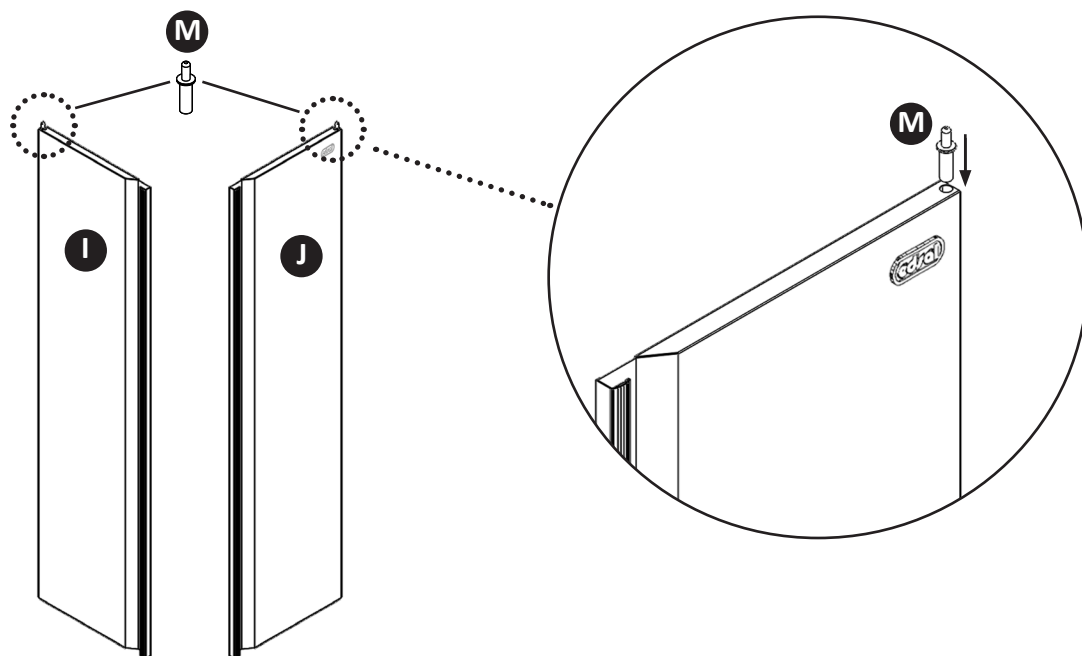
Insert the two Fixed Shelves (G); one at the bottom and one in the middle of the cabinet as shown (see Fig. 8). Next install the two Adjustable Shelves (H) using four Shelf Clips (L) per shelf at the desired location. Insert the shelf clips into the slots (see Fig. 9) at the same height on all four sides per shelf, then place the shelf on top of the clips (see Fig. 10).



ASSEMBLY (Continued)

STEP 7: INSTALL TOP DOOR HINGES

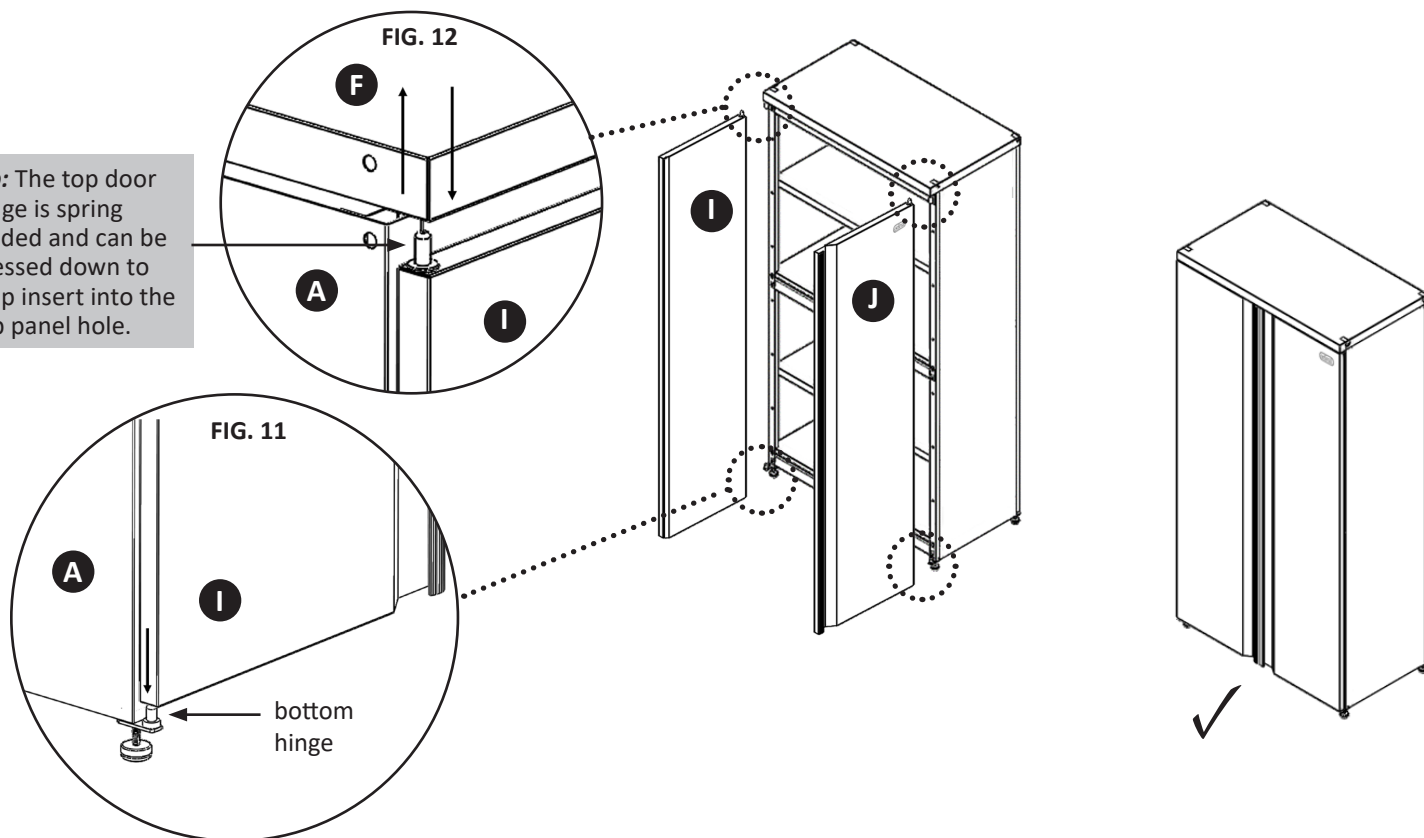
Insert the Top Door Hinges (M) into the hole located on the top end of Left Door (I) and Right Door (J).



STEP 8: INSTALL DOORS

Install the Left Door (I) and Right Door (J) starting at the bottom. Locate the hole at the bottom of the door and place onto the hinge located on the bottom of the side panel (see Fig. 11). Next, insert the top door hinge into the top panel hole by pressing down on the hinge and slightly lifting the top panel for clearance if needed (see Fig. 12). Push the top panel back down to secure the connection.

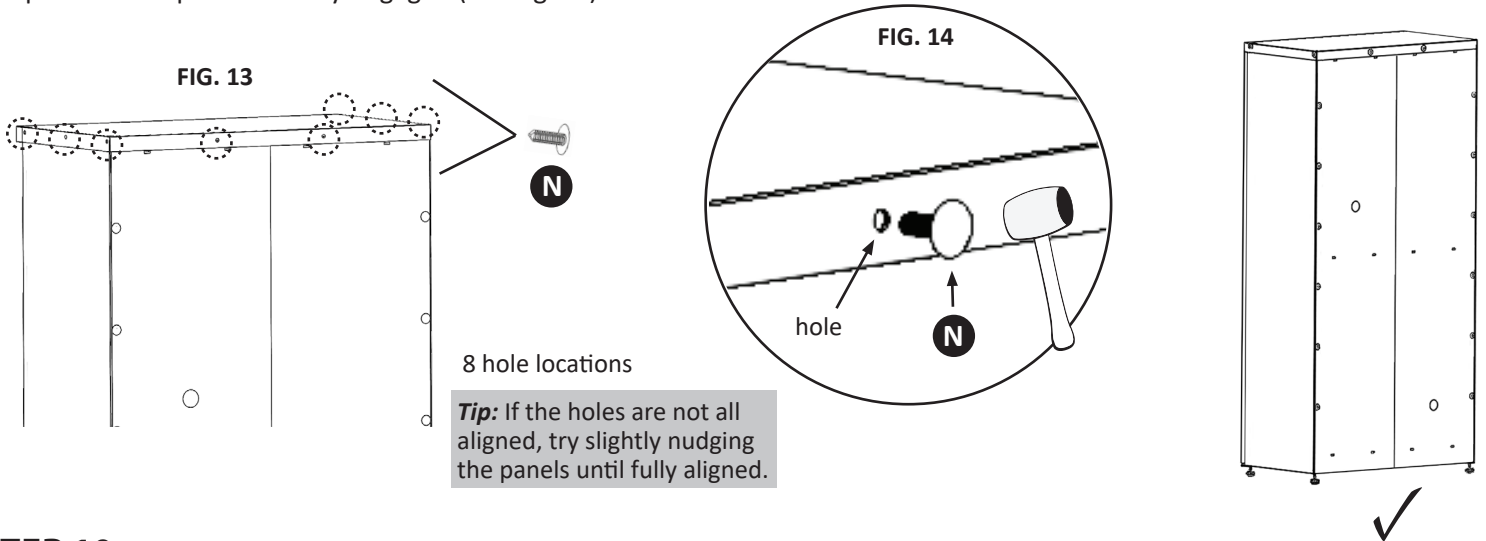
Tip: The top door hinge is spring loaded and can be pressed down to help insert into the top panel hole.



ASSEMBLY (Continued)

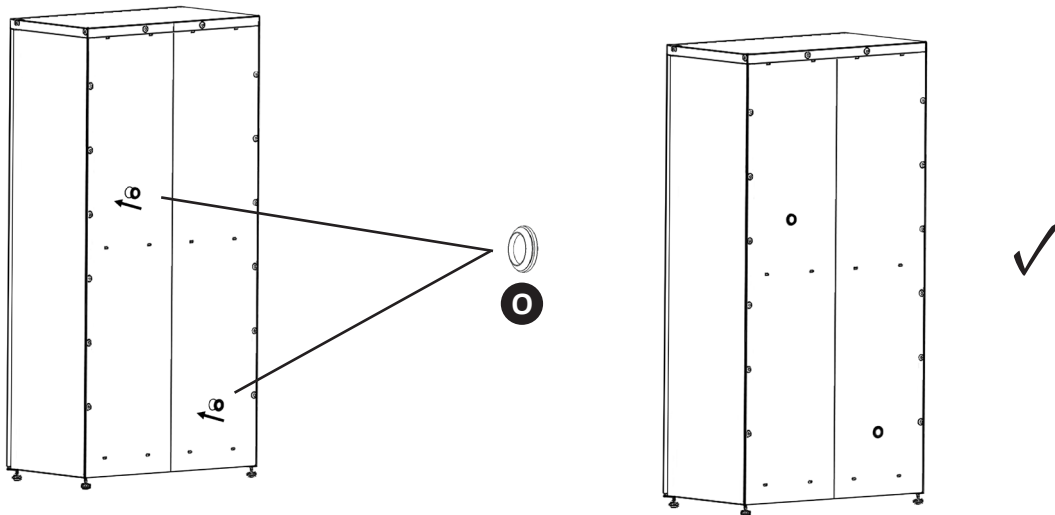
STEP 9: INSTALL PUSH BUTTON PINS TO TOP PANEL

First be sure all holes from the top panel, back panel and side panels are aligned with one another (see Fig. 13 for hole locations). Install eight Push Button Pins (N) into the 8 hole locations shown (see Fig. 13). Use a rubber mallet to gently tap in the push button pins until fully engaged (see Fig. 14).



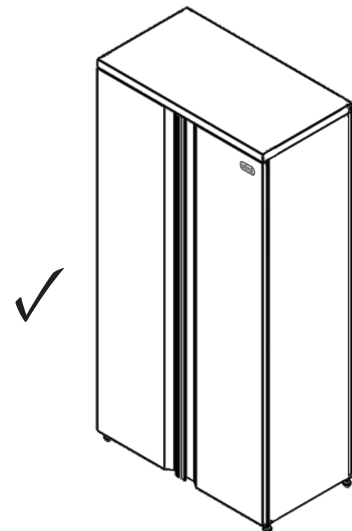
STEP 10: INSTALL RUBBER GROMMETS

Install the two Rubber Grommets (O) into the two holes located on the back panels. Option: Puncture a hole through the "X" located on the grommets to allow for easy cords access.

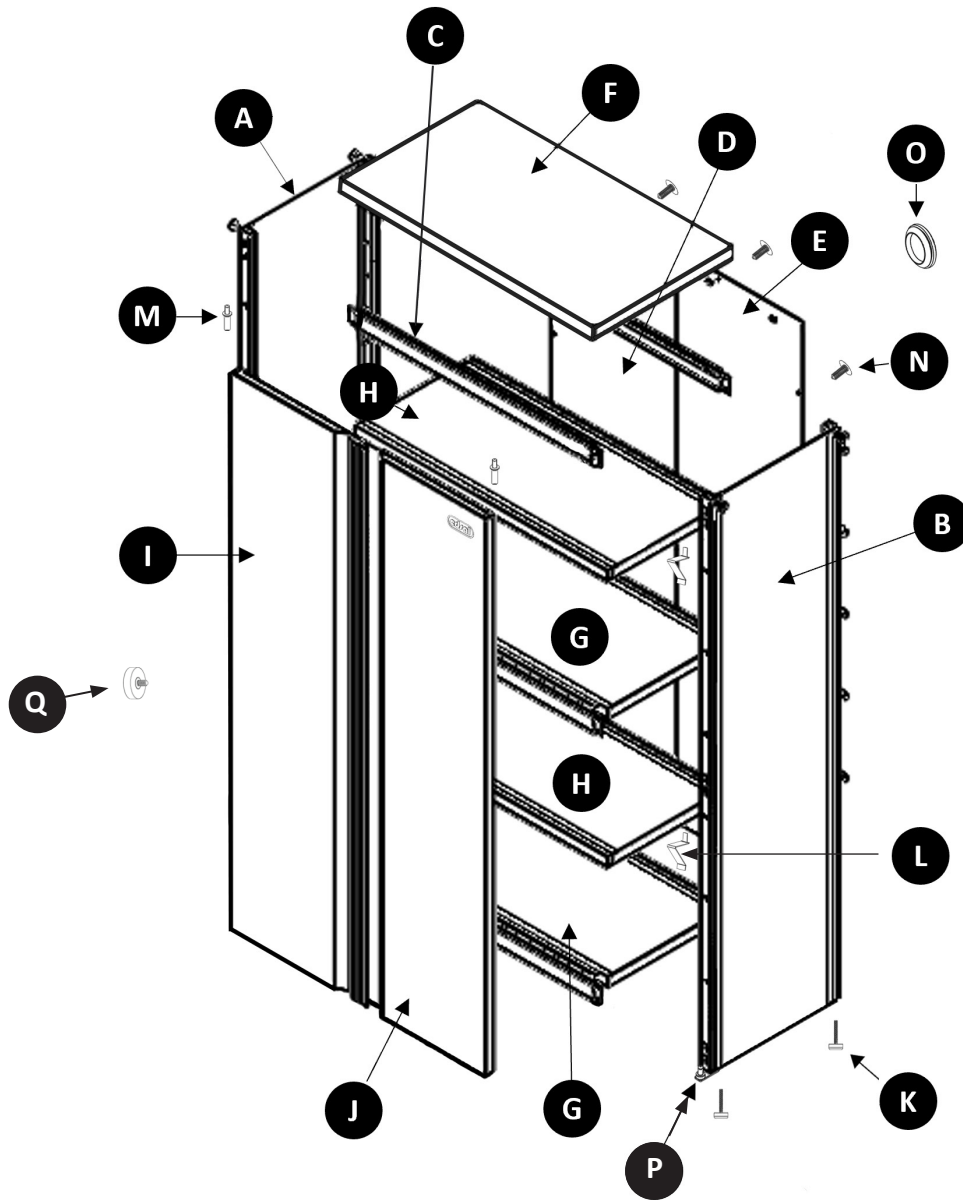


STEP 11: FINAL INSPECTION

Check to make sure the cabinet is leveled in its final location, using a leveler. Adjust the leg levelers if necessary.



PARTS LIST



Part	Description	Qty	Part Number
A	Left Side Panel	1	ASS7218-L
B	Right Side Panel	1	ASS7218-R
C	Beam	6	N2R-BM36-BLK
D	Left Back Panel	1	ABKL7217
E	Right Back Panel	1	ABKR7218
F	Top Panel	1	AAT3618
G	Fixed Shelf	2	ASF3618
H	Adjustable Shelf	2	ASA3618
I	Left Door	1	ADR7218-L

Part	Description	Qty	Part Number
J	Right Door	1	ADR7218-R
K	Leg Leveler	4	RTALLGVL
L	Shelf Clip	8	SCLIP-STD
M	Top Door Hinge	2	HNG-TOP
N	Push Button Pins	20	RTA-PUSHBUTTON
O	Rubber Grommet	2	RTA-RUBBERGROMMET
P	Bottom Door Hinge (preassembled on side panels)	2	RTAFRONTLVR/ RTAFRONTLVL
Q	Door Magnet (preassembled inside of doors)	2	RTAMAGNET

MAINTENANCE AND CARE

- Periodically check to make sure the beams tabs are secure into the slots of the side panels.
- Use a dry or slightly dampened, clean cloth to wipe down the cabinet if needed.



Take a survey about this product by scanning the QR code below:

