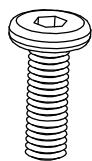
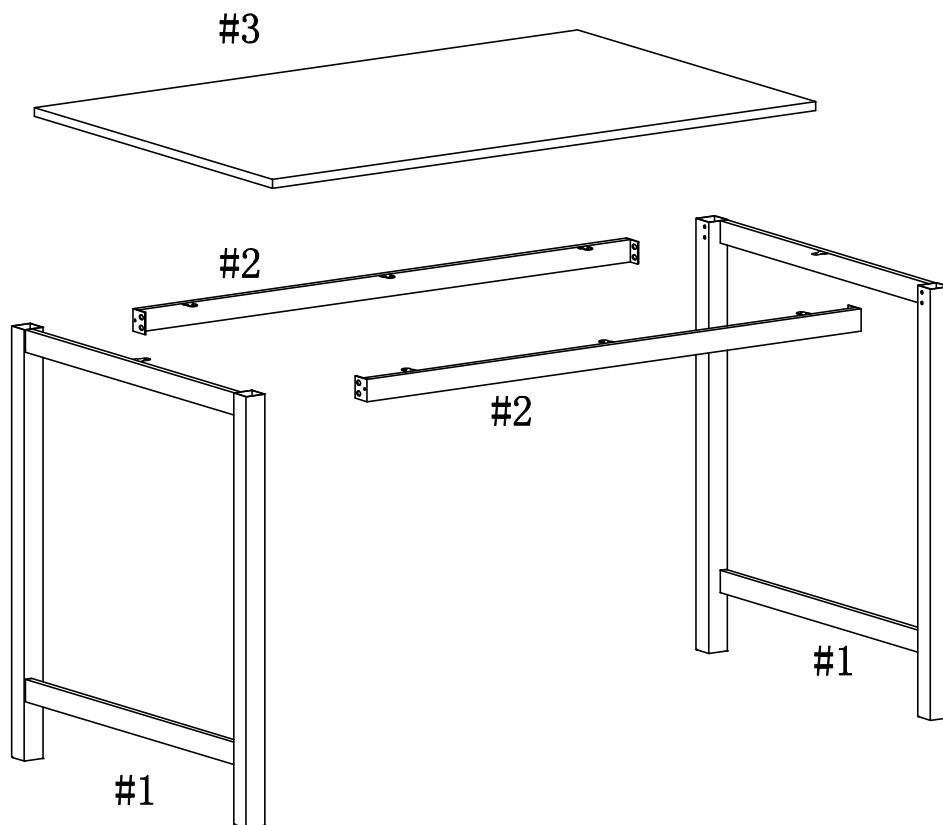


NOTE:DO NOT TIGHTEN ANY OF THE SCREWS UNTIL IS FULLY ASSEMBLED

ASSEMBLY INSTRUCTION

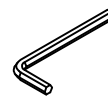
- #1 Table Leg
- #2 Long Table Apron
- #3 TABLE TOP



BOLT
A x 8
Ø1/4" * 5/8"



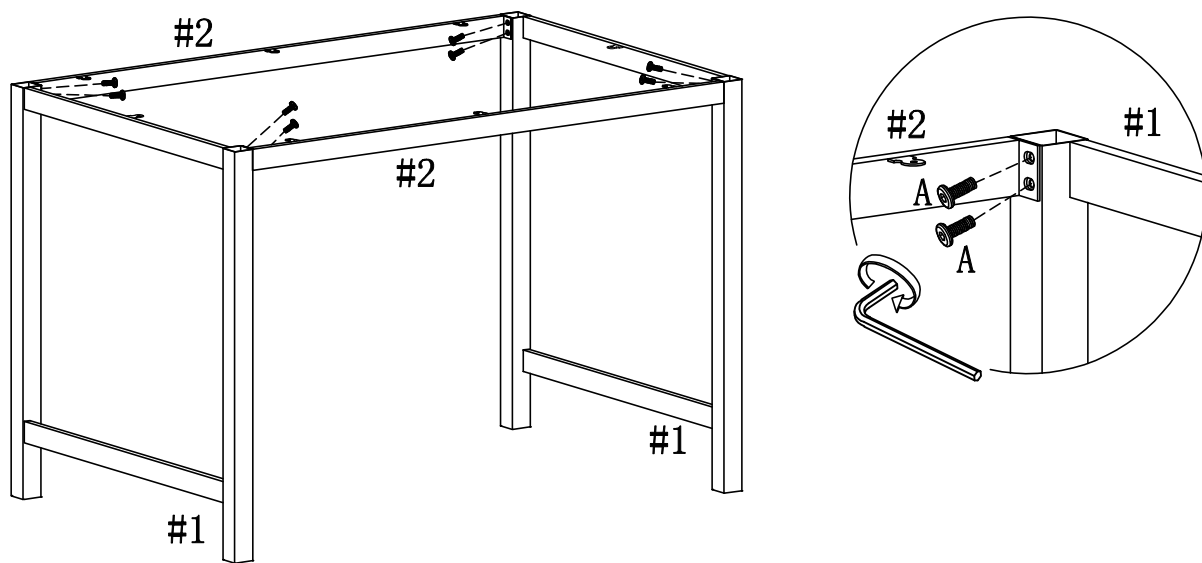
Screw
B x 8
Ø1/6" * 9/16"

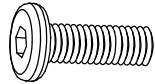


ALLEN KEY

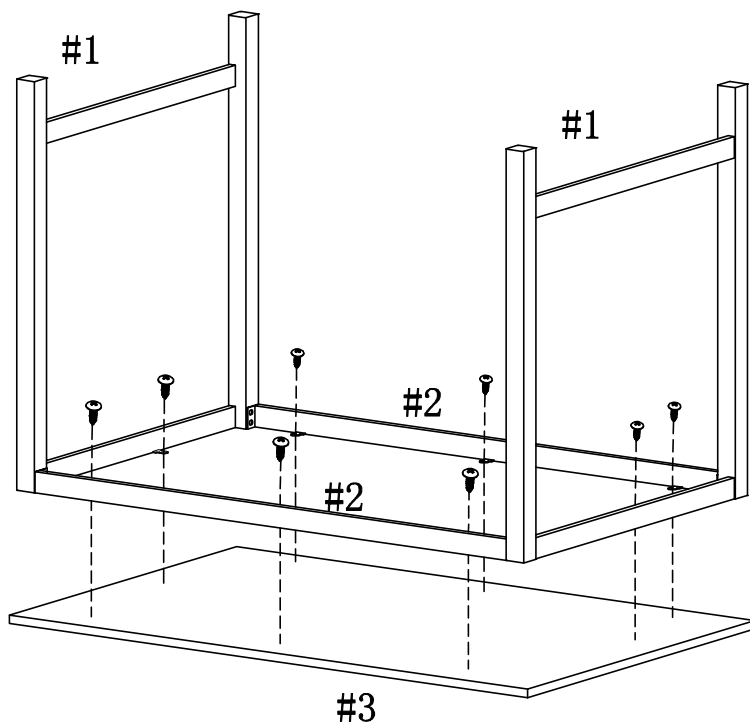
NOTE:DO NOT TIGHTEN ANY OF THE SCREWS UNTIL IS FULLY ASSEMBLED

1.



A		8
---	---	---

2.



B		8
---	---	---