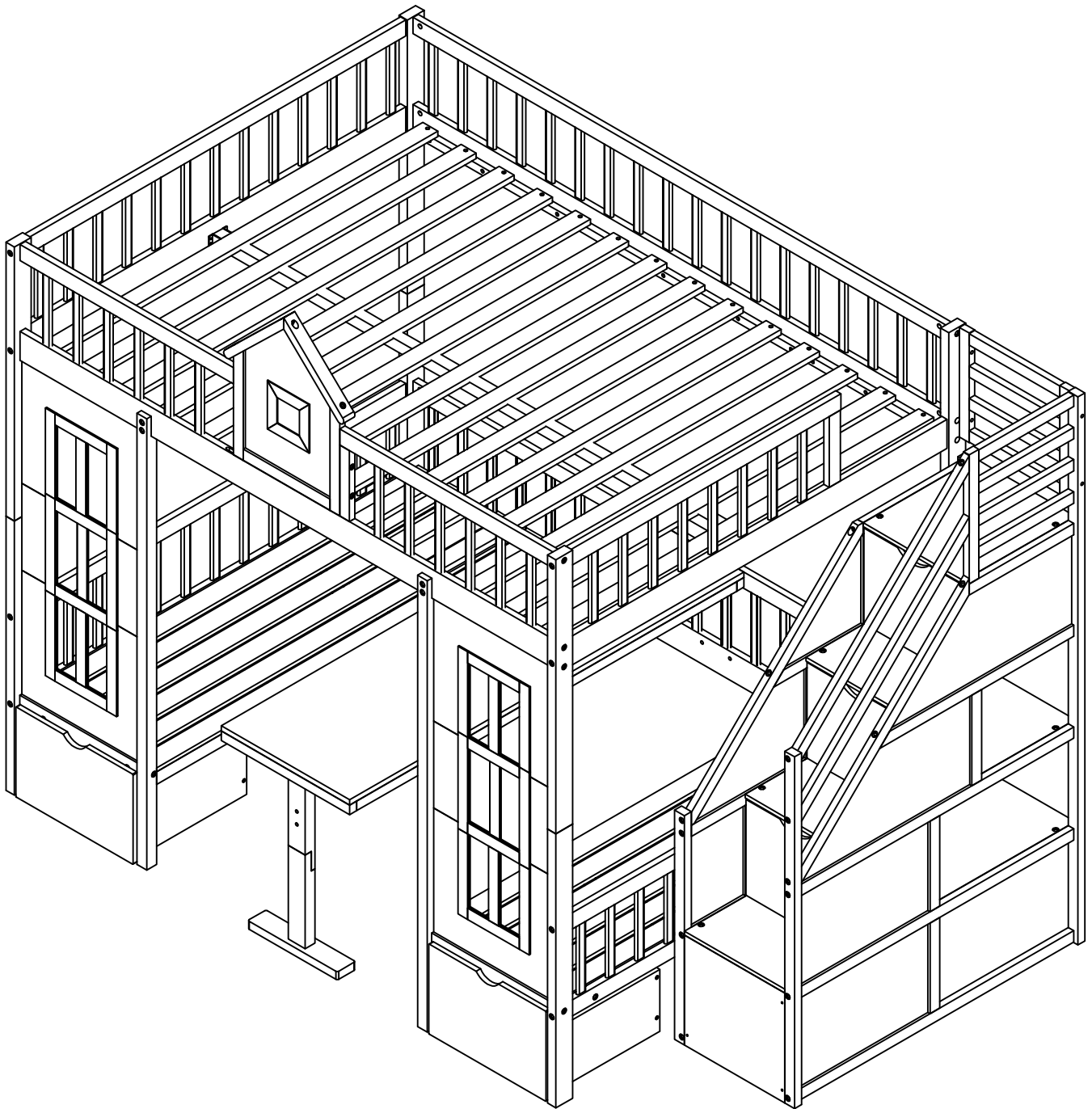


# ASSEMBLY INSTRUCTION





# **SAFETY WARNINGS**



1. This bed is designed for use only mattress(es) meeting the following specifications on the upper bunk:  
*Upper bunk* (bunk bed and tribed included)

## ***Upper bed***

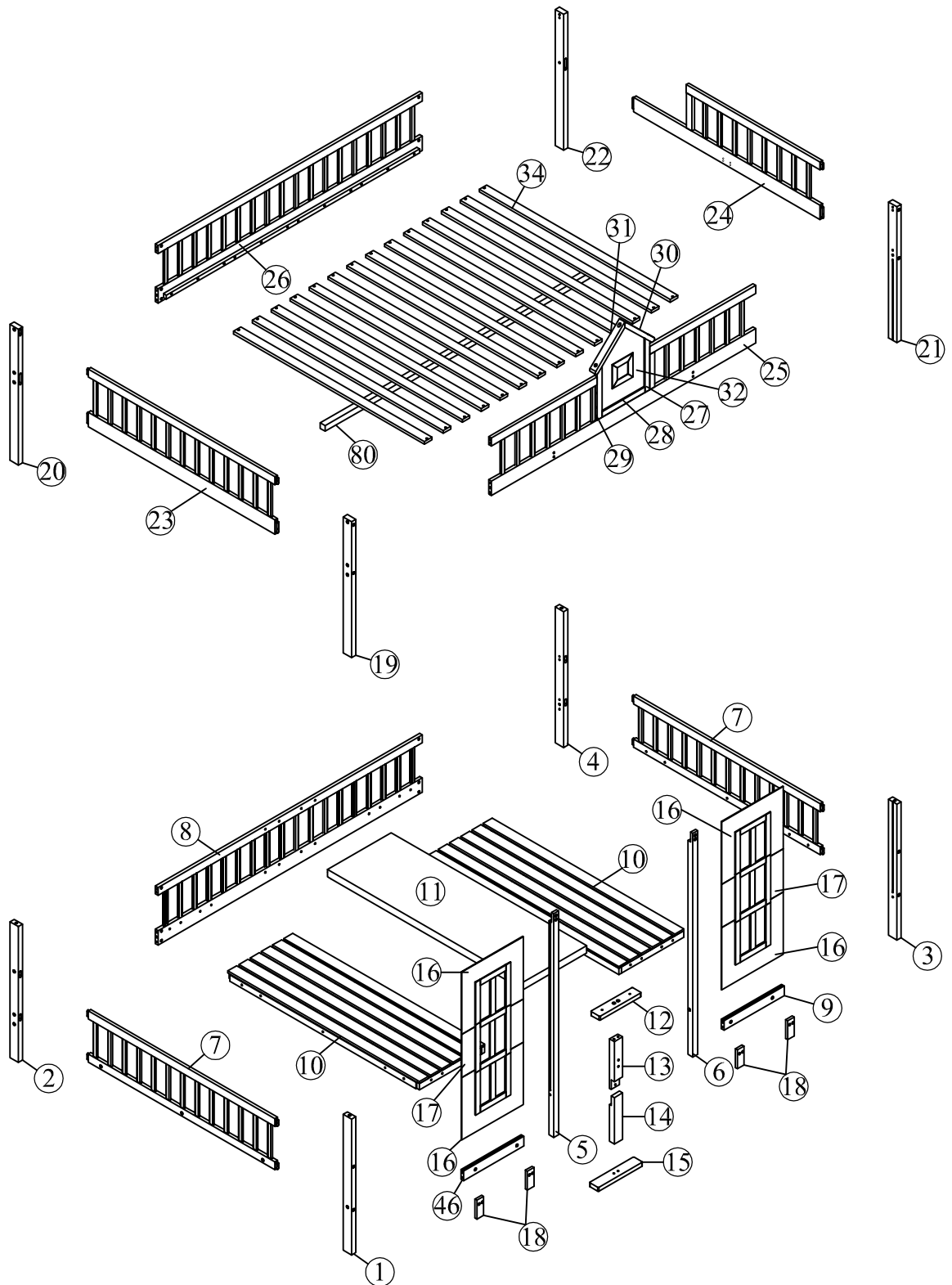
<b><i>Bed Type</i></b>	<b><i>Length</i></b>	<b><i>Width</i></b>	<b><i>Thickness</i></b>
<b><i>Full Standard</i></b>	<b><i>74"-75"</i></b>	<b><i>54"</i></b>	<b><i>6" max</i></b>

## ***Lower bed***

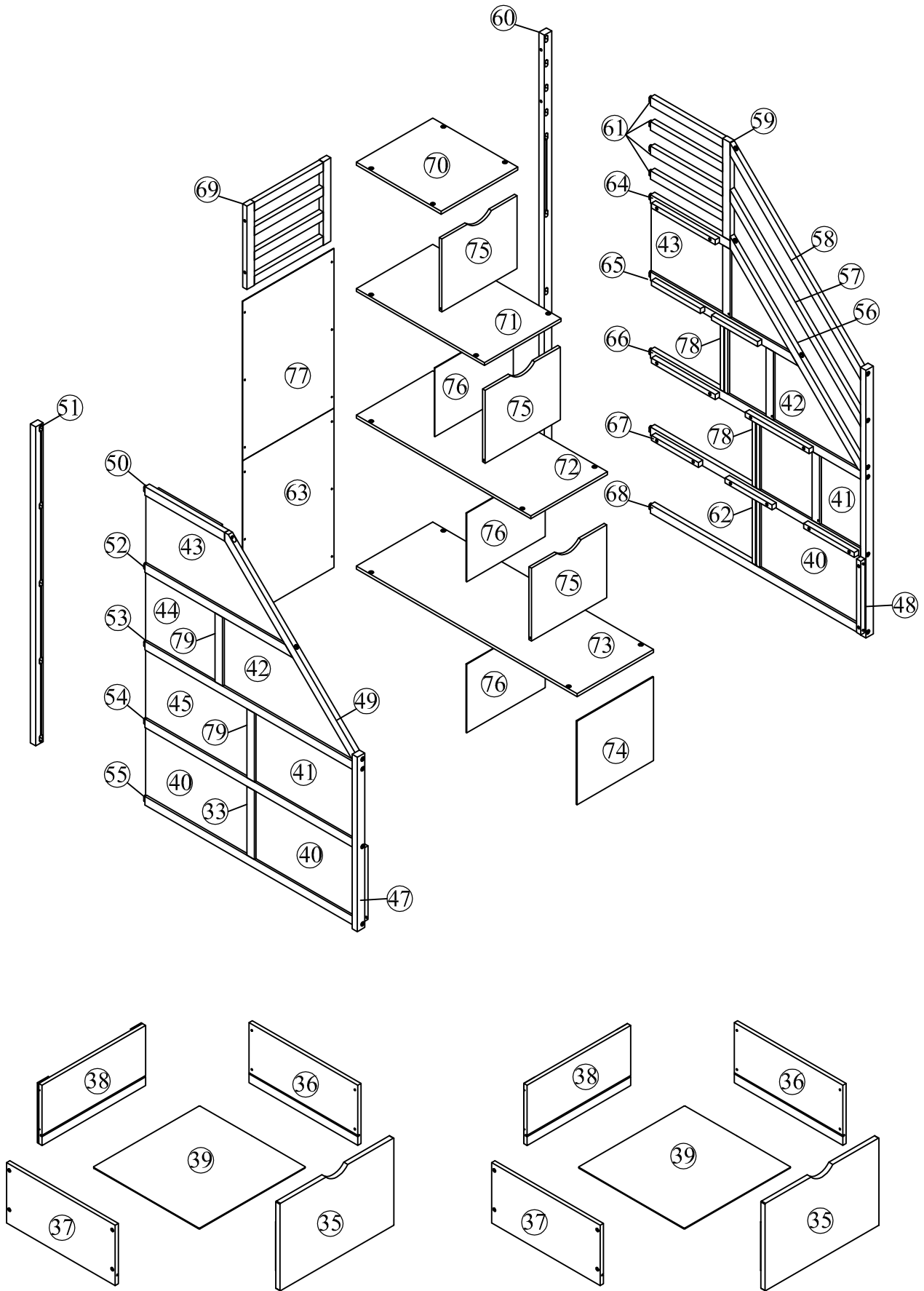
<b><i>Bed Type</i></b>	<b><i>Length</i></b>	<b><i>Width</i></b>	<b><i>Thickness</i></b>
<b><i>Full Standard</i></b>	<b><i>74"-75"</i></b>	<b><i>54"</i></b>	<b><i>8" max</i></b>

2. Replacement parts, including additional guardrails, maybe obtained from any of our dealers.
3. Follow the information on the warnings appearing on the upper bunk bed end structure and on the carton. Do not remove warning label from bed.
4. Always use the recommended size mattresses or mattress supports, or both, to help prevent the likelihood of entrapment or falls.
5. Surface of the mattress must be at least 5". (127 mm) below the upper edge of guardrails.
6. Do not allow children under 6 years of age to use the upper bunk.
7. Periodically check and ensure that the guardrail, ladder, and other components are in their proper position, free from damage, and that all connectors are tight.
8. Do not allow horseplay on or under the bed and prohibit jumping on the bed
9. Always use the ladder for entering and leaving the upper bunk.
10. Do not use substitute parts. Contact the manufacturer or dealer for replacement parts.
11. Use of a night light may provided added safety precaution for a child using the upper bunk.
12. Always use guardrails on both long sides of the upper bunk. If the bunk bed will be placed next to the wall, the guardrail that runs the full length of the bed should be placed against the wall to prevent entrapment between the bed and wall.
13. The use of water or sleep flotation mattresses is prohibited.
14. STRANGULATION HAZARD - Never attach or hang items to any part of the bunk bed that are not designed for use with the bed; for example, but not limited to, hook, belts and jump ropes.
15. Keep these instructions for future reference
16. Prohibit more than one person on upper bunk.
17. We recommend assembling your bunk bed on the shipping carton to protect your floor or carpet.
18. Be certain all staples are out of the box before beginning assembly on the shipping carton.

Detail view:



Detail view:



# Part List

5 x1



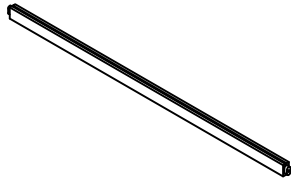
Support Left Leg

6 x1



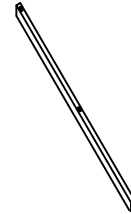
Support Right Leg

55 x1



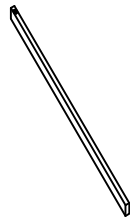
Stair Frame

56 x1



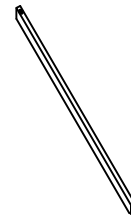
Handrail

57 x1



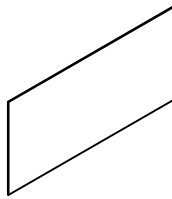
Handrail

58 x1



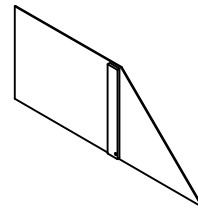
Handrail

41 x2



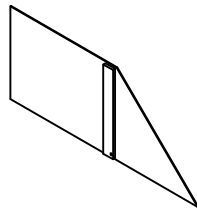
Panels

42 x2



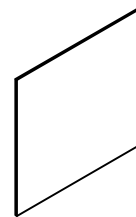
Panels

43 x2



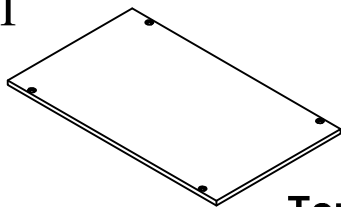
Panels

74 x1



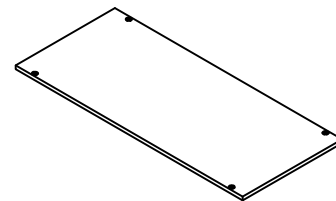
Panel Stair 4

71 x1



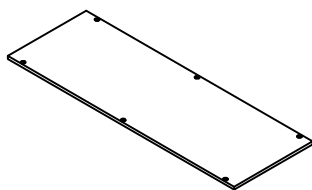
Top Stair 2

72 x1



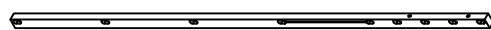
Top Stair 3

73 x1



Top Stair 4

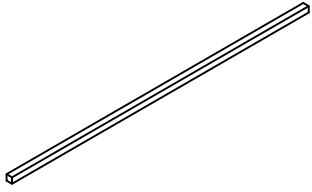
60 x1



Newel post

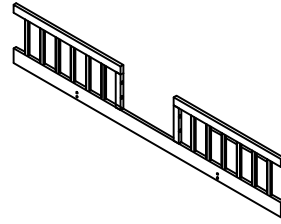
# Part List

80 x1



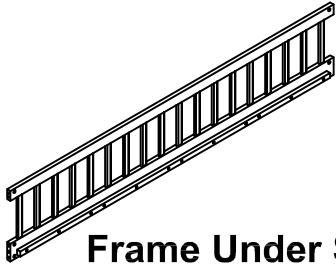
Support Slat

25 x1



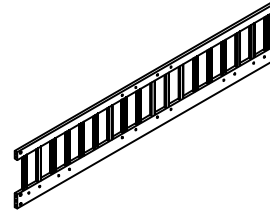
Frame Under Side Rail

26 x1



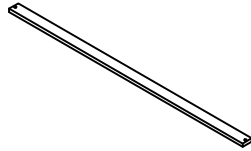
Frame Under Side Rail

8 x1



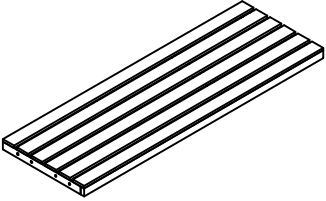
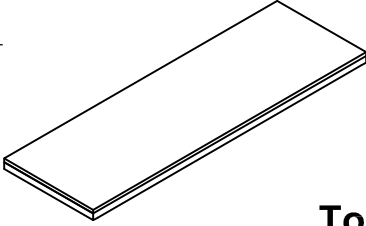
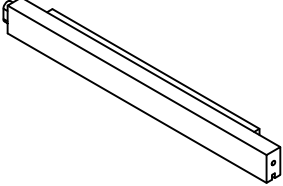
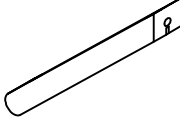
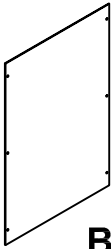


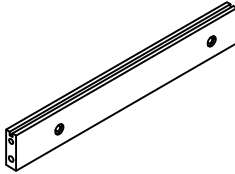

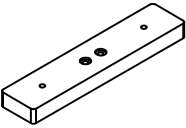
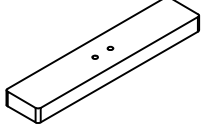
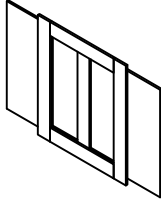

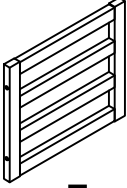
Frame Upper Side Rail

34 x14


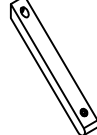
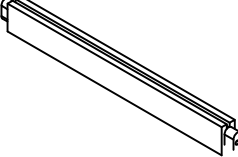
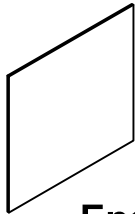
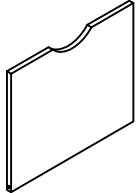

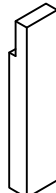
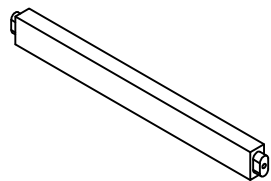

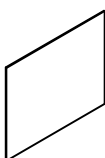
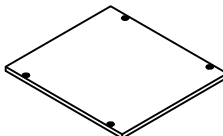
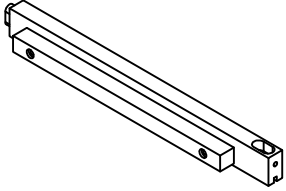
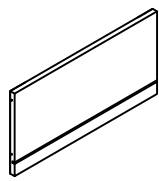
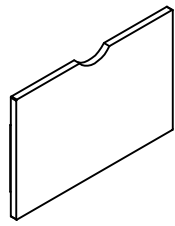


Slats

## Part List

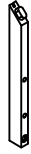
<p>⑩ x2</p>  <p style="text-align: center;"><b>Top Bench</b></p>	<p>⑪ x1</p>  <p style="text-align: center;"><b>Top Table</b></p>
<p>⑤① x1</p>  <p style="text-align: center;"><b>Stair Frame</b></p>	<p>③① x1</p>  <p style="text-align: center;"><b>Decorative Frame</b></p>
<p>⑥③ x1</p>  <p style="text-align: center;"><b>Back Panel Stair</b></p>	<p>⑦⑦ x1</p>  <p style="text-align: center;"><b>Back Panel Stair</b></p>
<p>⑦⑧ x2</p>  <p style="text-align: center;"><b>Stair Frame</b></p>	<p>④⑥ x1</p>  <p style="text-align: center;"><b>Front Upper Side Rail</b></p>
<p>⑥② x1</p>  <p style="text-align: center;"><b>Stair Frame</b></p>	<p>①② x1</p>  <p style="text-align: center;"><b>Table Leg Base</b></p>
<p>①⑤ x1</p>  <p style="text-align: center;"><b>Table Leg Base</b></p>	<p>①⑦ x2</p>  <p style="text-align: center;"><b>Panel Side Rails</b></p>
<p>⑤⑨ x1</p>  <p style="text-align: center;"><b>Stair Frame</b></p>	<p>⑥⑨ x1</p>  <p style="text-align: center;"><b>Frame Back Stair</b></p>

## Part List

<p><b>79</b> x2</p>  <p style="text-align: center;"><b>Stair Frame</b></p>	<p><b>30</b> x1</p>  <p style="text-align: center;"><b>Decorative Frame</b></p>
<p><b>28</b> x1</p>  <p style="text-align: center;"><b>Decorative Frame</b></p>	<p><b>76</b> x3</p>  <p style="text-align: center;"><b>End Panel Stair</b></p>
<p><b>75</b> x3</p>  <p style="text-align: center;"><b>Front Stairs</b></p>	<p><b>13</b> x1</p>  <p style="text-align: center;"><b>Lifting Table Leg</b></p>
<p><b>14</b> x1</p>  <p style="text-align: center;"><b>Lifting Table Leg</b></p>	<p><b>61</b> x4</p>  <p style="text-align: center;"><b>Stair Frame</b></p>
<p><b>33</b> x1</p>  <p style="text-align: center;"><b>Stair Frame</b></p>	<p><b>44</b> x1</p>  <p style="text-align: center;"><b>Panel</b></p>
<p><b>70</b> x1</p>  <p style="text-align: center;"><b>Top Stair 1</b></p>	<p><b>64</b> x1</p>  <p style="text-align: center;"><b>Stair Frame</b></p>
<p><b>38</b> x2</p>  <p style="text-align: center;"><b>Back Drawers</b></p>	<p><b>35</b> x2</p>  <p style="text-align: center;"><b>Front Drawers</b></p>

# Part List

27 x1



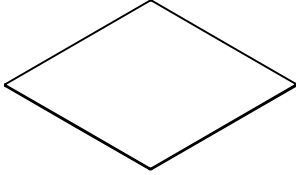
**Decorative Frame**

29 x1



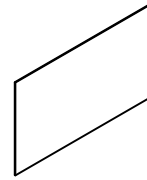
**Decorative Frame**

39 x2



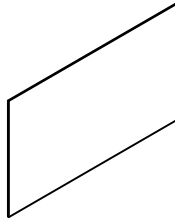
**Bottom Drawers**

45 x1



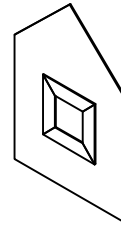
**Panel**

40 x3



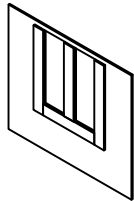
**Panels**

32 x1



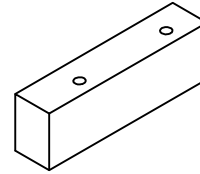
**Decorative Panel**

16 x4











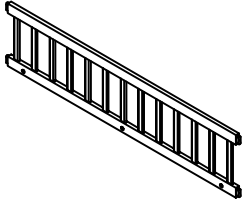
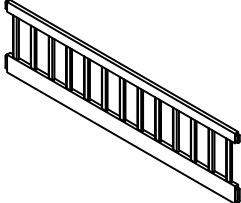
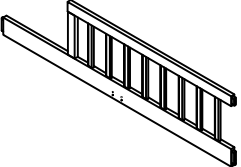

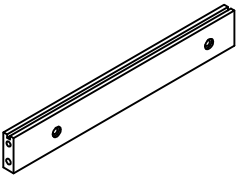
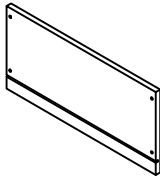
**Panel Side Rails**

18 x4



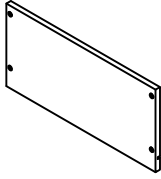
**Wood stops**

## Part List

<p>① x1</p>  <p style="text-align: center;"><b>Front Under Leg</b></p>	<p>② x1</p>  <p style="text-align: center;"><b>Back Under Leg</b></p>
<p>③ x1</p>  <p style="text-align: center;"><b>Front Under Leg</b></p>	<p>④ x1</p>  <p style="text-align: center;"><b>Back Under Leg</b></p>
<p>⑱ x1</p>  <p style="text-align: center;"><b>Front Upper Leg</b></p>	<p>⑳ x1</p>  <p style="text-align: center;"><b>Back Upper Leg</b></p>
<p>⑳ x1</p>  <p style="text-align: center;"><b>Front Upper Leg</b></p>	<p>㉑ x1</p>  <p style="text-align: center;"><b>Back Upper Leg</b></p>
<p>⑦ x2</p>  <p style="text-align: center;"><b>Support Left Leg</b></p>	<p>㉓ x1</p>  <p style="text-align: center;"><b>Frame Headboard</b></p>
<p>㉔ x1</p>  <p style="text-align: center;"><b>Frame Footboard</b></p>	<p>⑤① x1</p>  <p style="text-align: center;"><b>Newel post</b></p>
<p>⑨ x1</p>  <p style="text-align: center;"><b>Front Upper Side Rail</b></p>	<p>③⑥ x2</p>  <p style="text-align: center;"><b>Side Drawers</b></p>

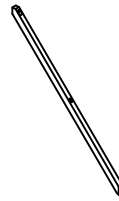
# Part List

37 x2



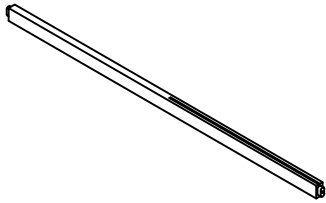
Side Drawers

49 x1



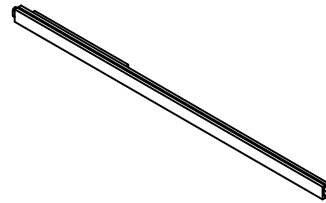
Handrail

68 x1



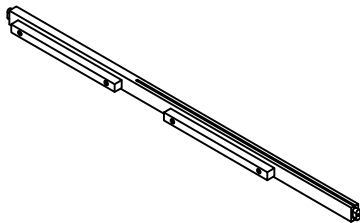
Stair Frame

54 x1



Stair Frame

66 x1



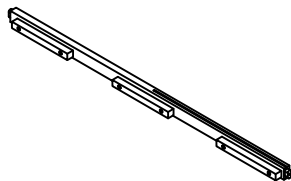
Stair Frame

53 x1



Stair Frame

67 x1



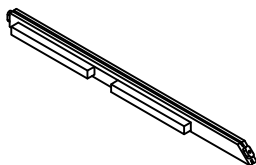
Stair Frame

48 x1



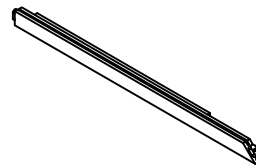
Newel post

65 x1



Stair Frame

52 x1




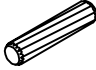

















Stair Frame

47 x1

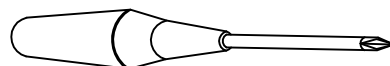


Newel post



## Hardware List

No.	OUTLOOK	DESC	QTY
(A)		Dowel Ø8*30mm	21
(B)		Dowel Ø10*40mm	12
(C)		Screws Ø6.5*25mm	3
(D)		Screws Ø6.5*35mm	3
(E)		Screws Ø6.5*50mm	37
(F)		Screws Ø6.5*70mm	15
(G)		Bolts 1/4"*25mm	30
(H)		Bolts 1/4"*35mm	18
(I)		Bolts 1/4"*50mm	7
(J)		Bolts 1/4"*70mm Brass fin insert 1/4"*13mm	22
(M)		Screws #6*15mm	44
(N)		Screws #8*15mm	8
(O)		Screws #8*25mm	56
(P)		Round head screw #8*20mm	12
(Q)		Metal base	2
(R)		Wheels	8
(T)		Inhaler Magnet	6
(U)		Iron round pin Ø5*20mm	6
(V)		Allen key 60*22*4mm	1

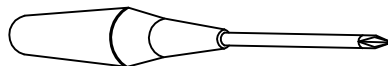
**ASSEMBLY TOOLS REQUIRED (NOT INCLUDED)**



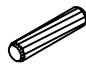


## Hardware List

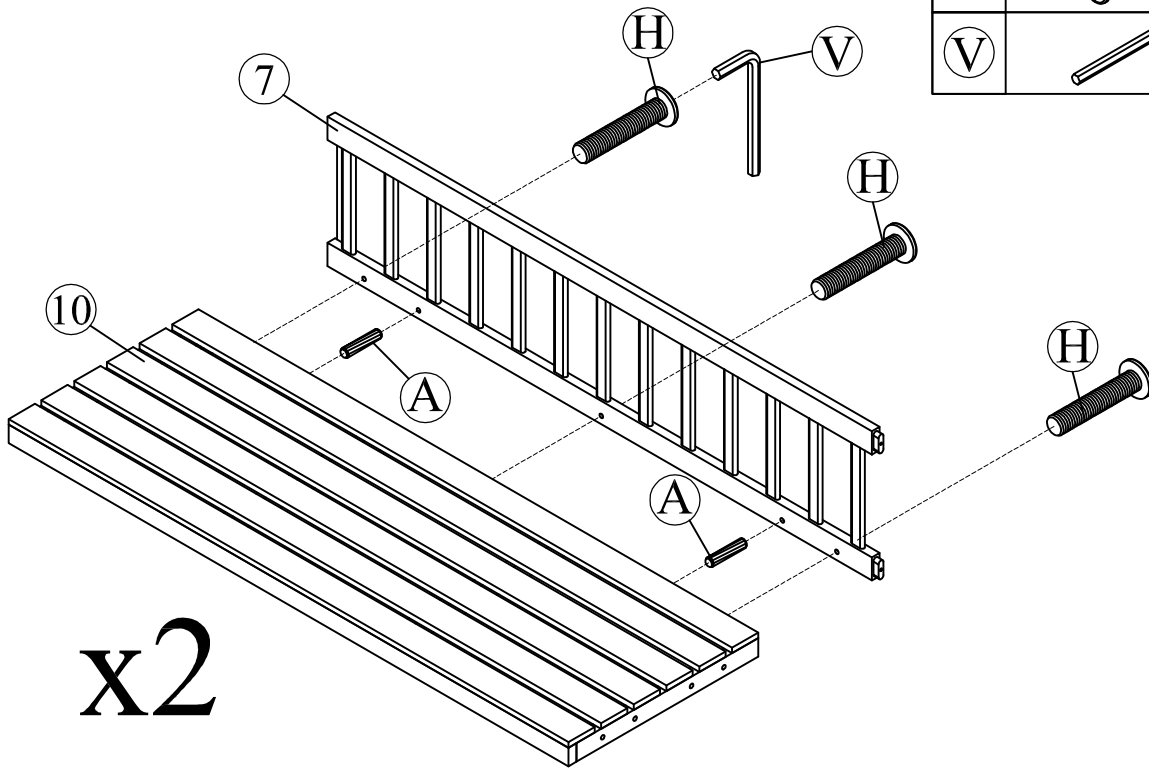
No.	OUTLOOK	DESC	QTY
W		Dowel Ø12*100mm	4
Z		Nuts 1/4"*20mm	4

ASSEMBLY TOOLS REQUIRED (NOT INCLUDED)






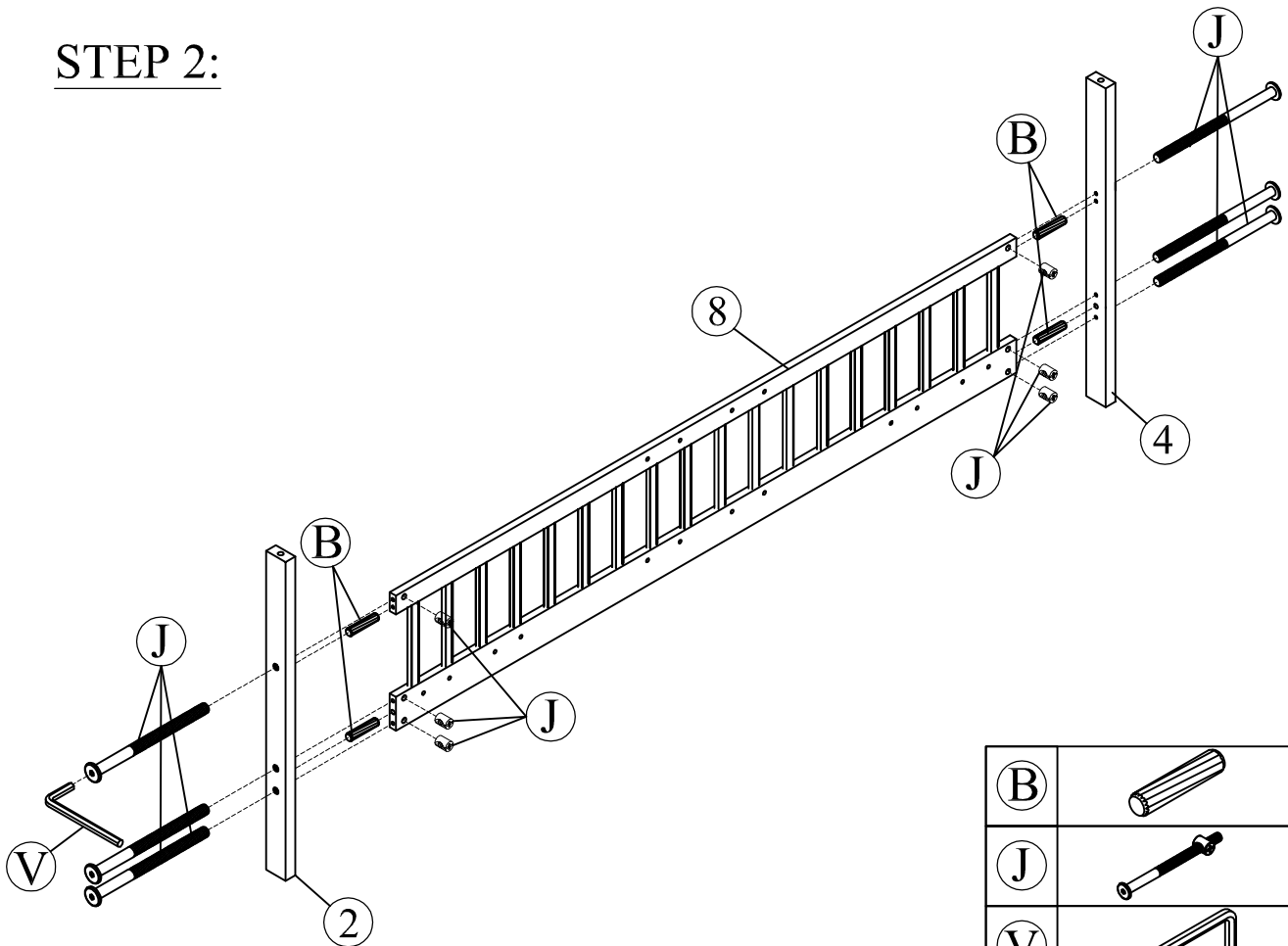
STEP 1:

(A)		04
(H)		06
(V)		01


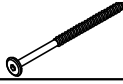




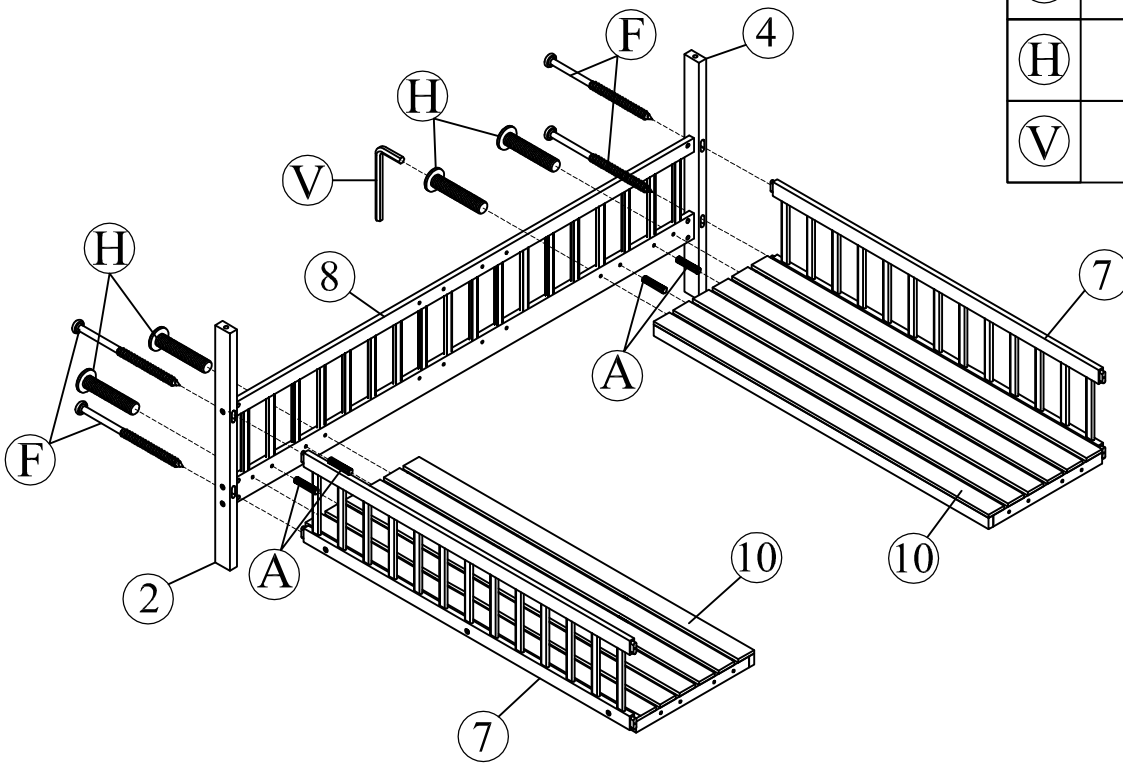
STEP 2:

(B)		04
(J)		06
(V)		01

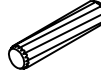




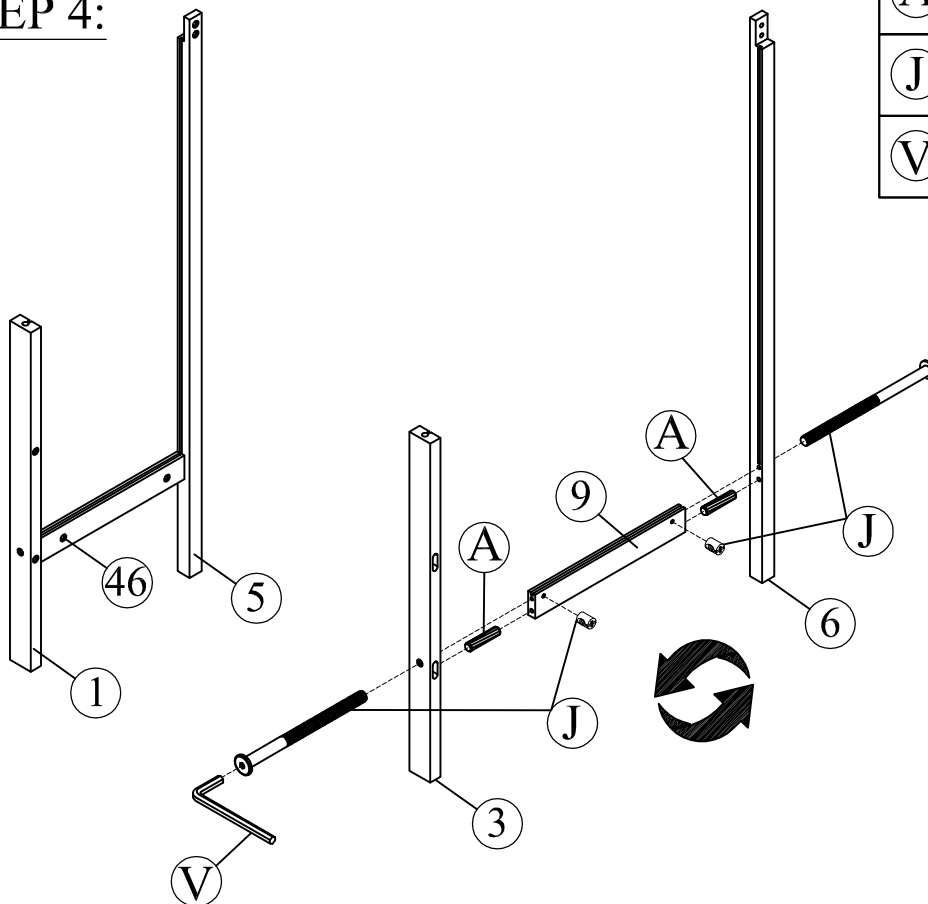
**STEP 3:**

(A)		04
(F)		04
(H)		04
(V)		01







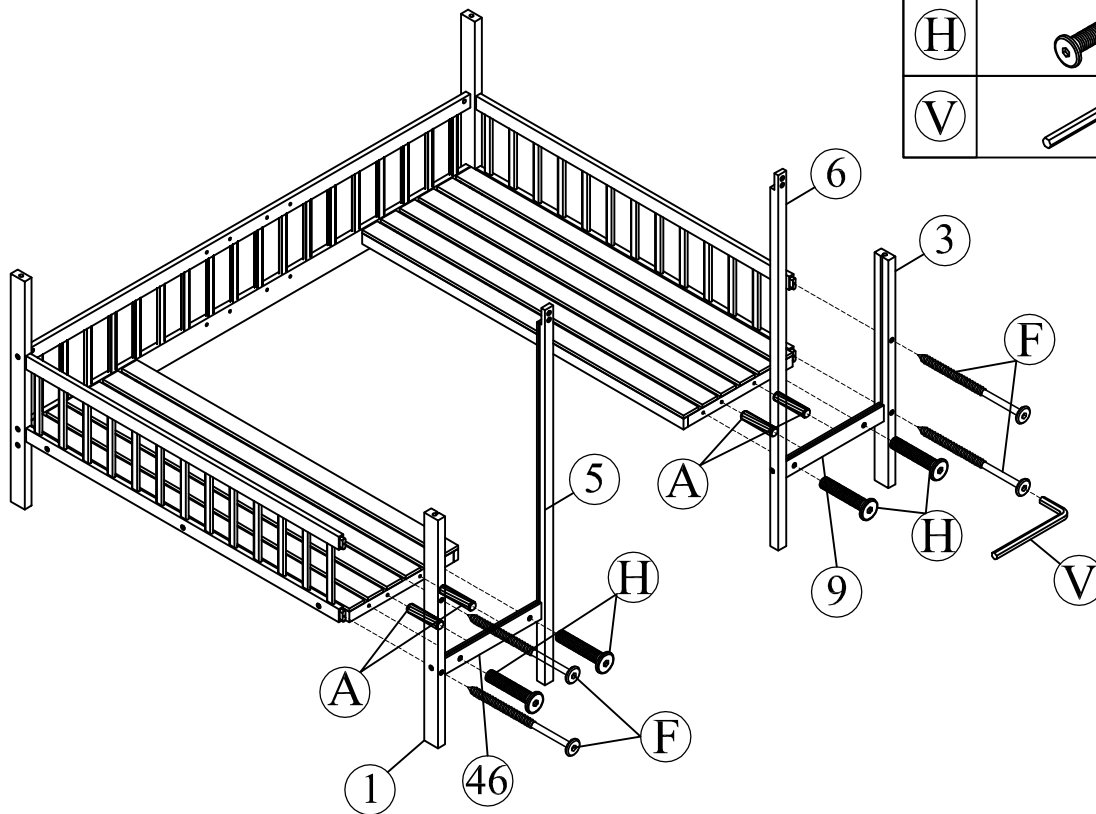
**STEP 4:**

(A)		04
(J)		04
(V)		01

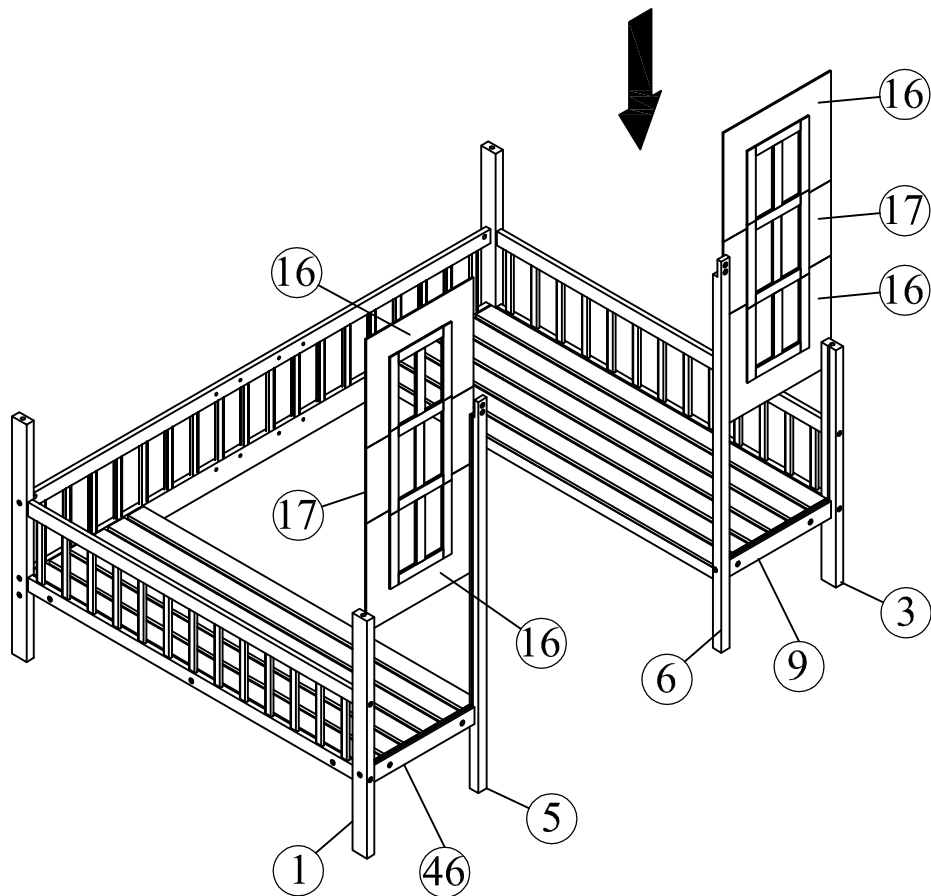


STEP 5:

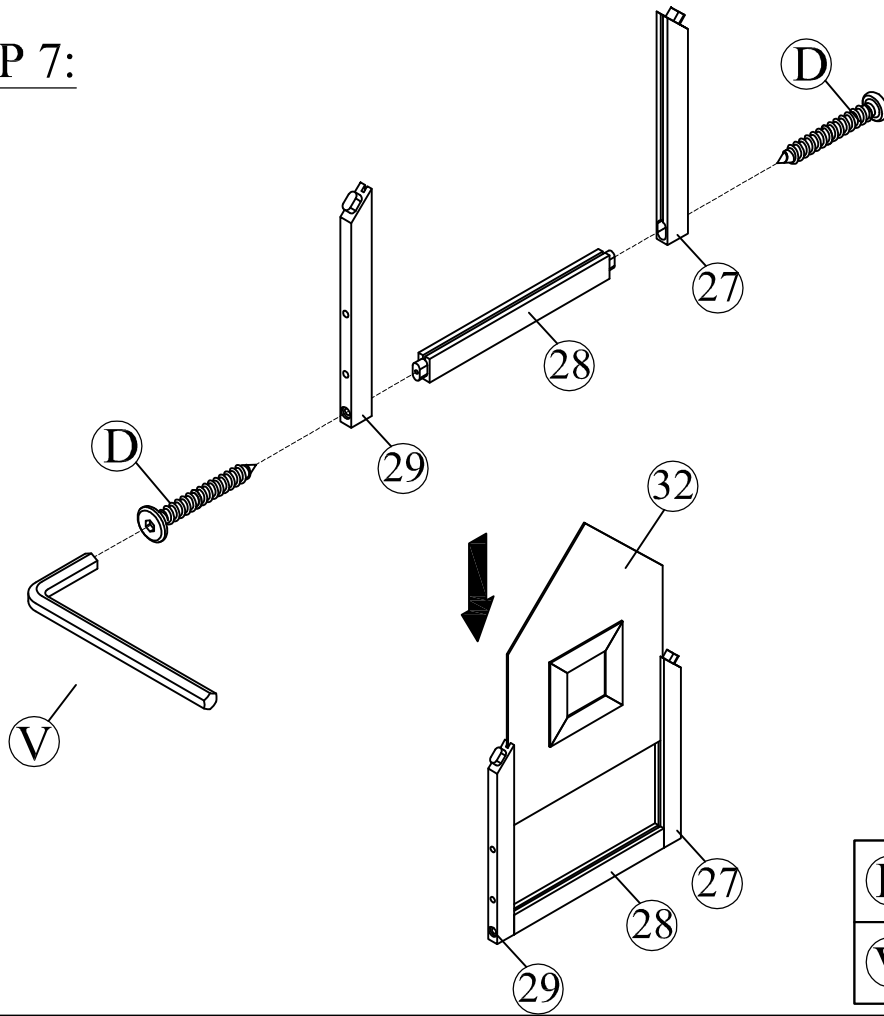
(A)		04
(F)		04
(H)		04
(V)		01





STEP 6:

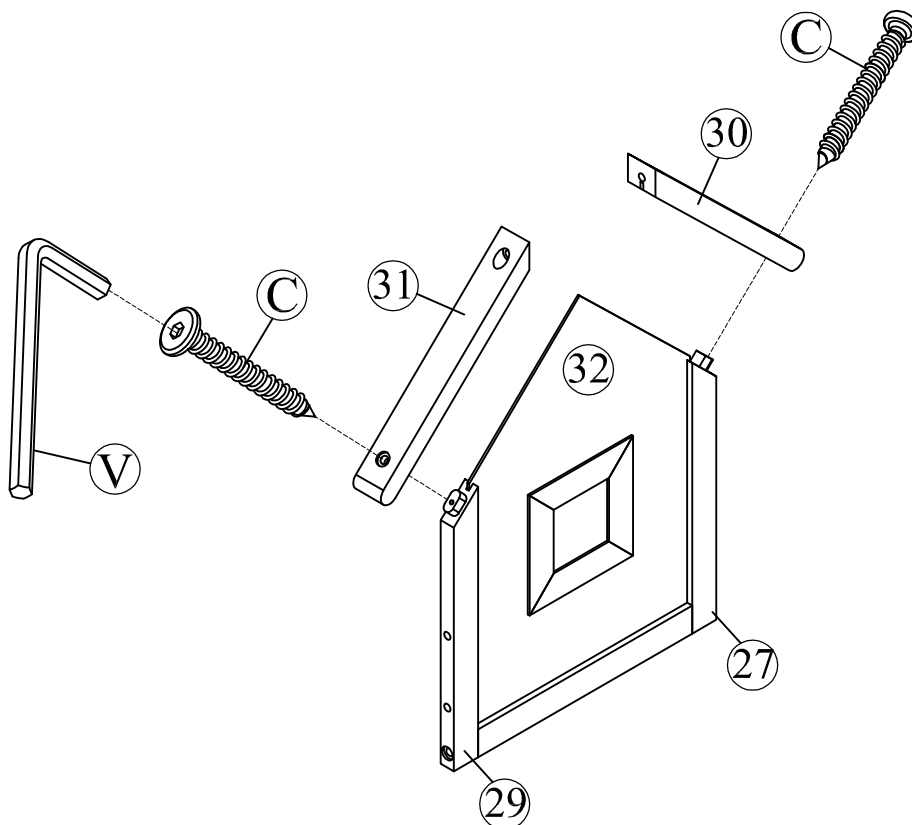




**STEP 7:**





(D)		02
(V)		01

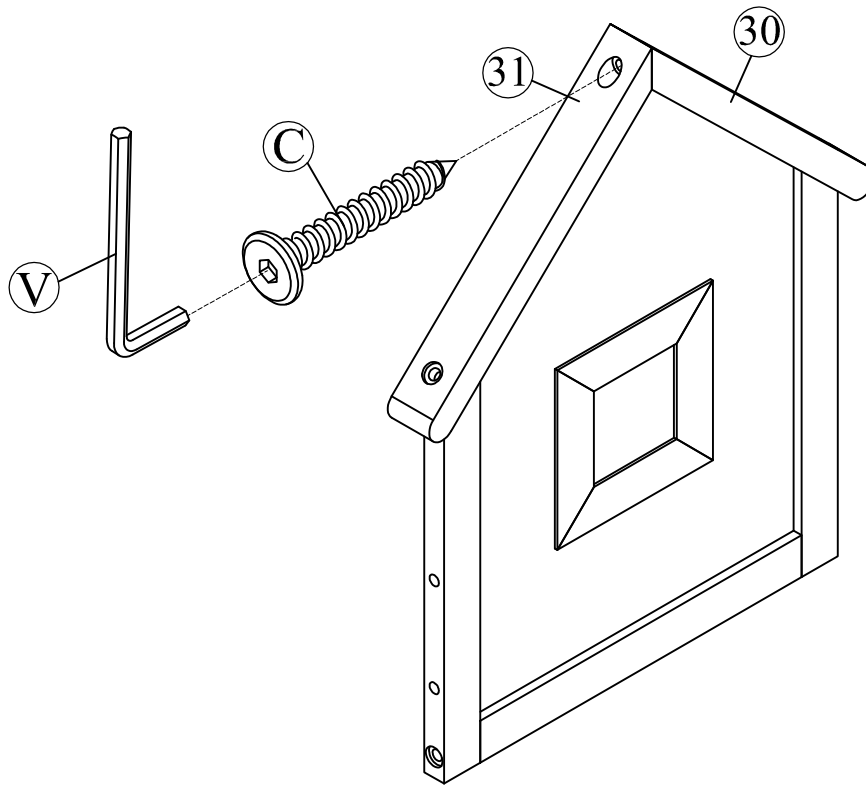
**STEP 8:**





(C)		02
(V)		01

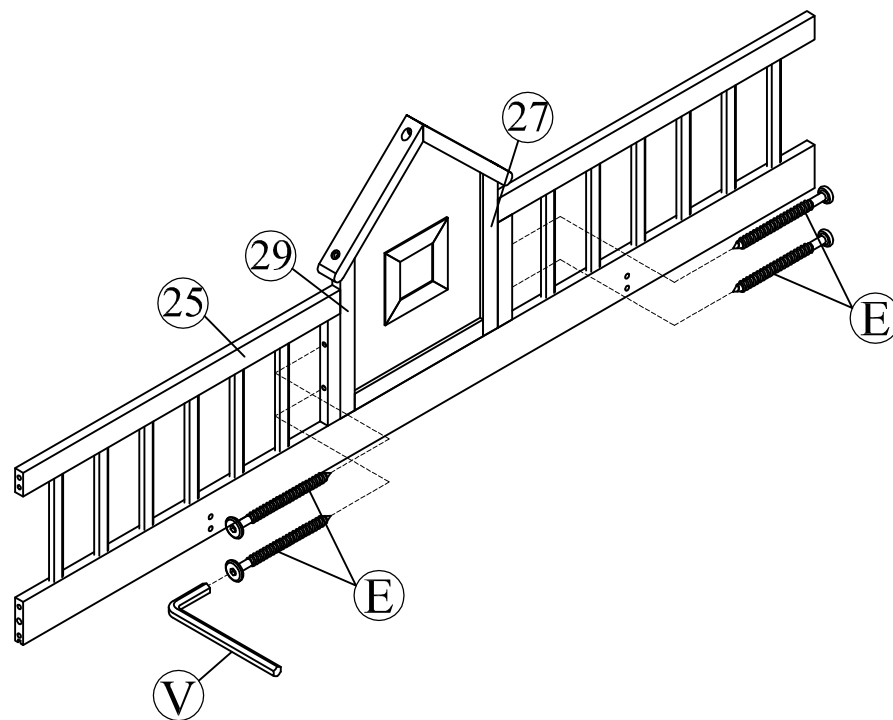
STEP 9:

(C)		01
(V)		01

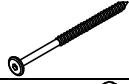



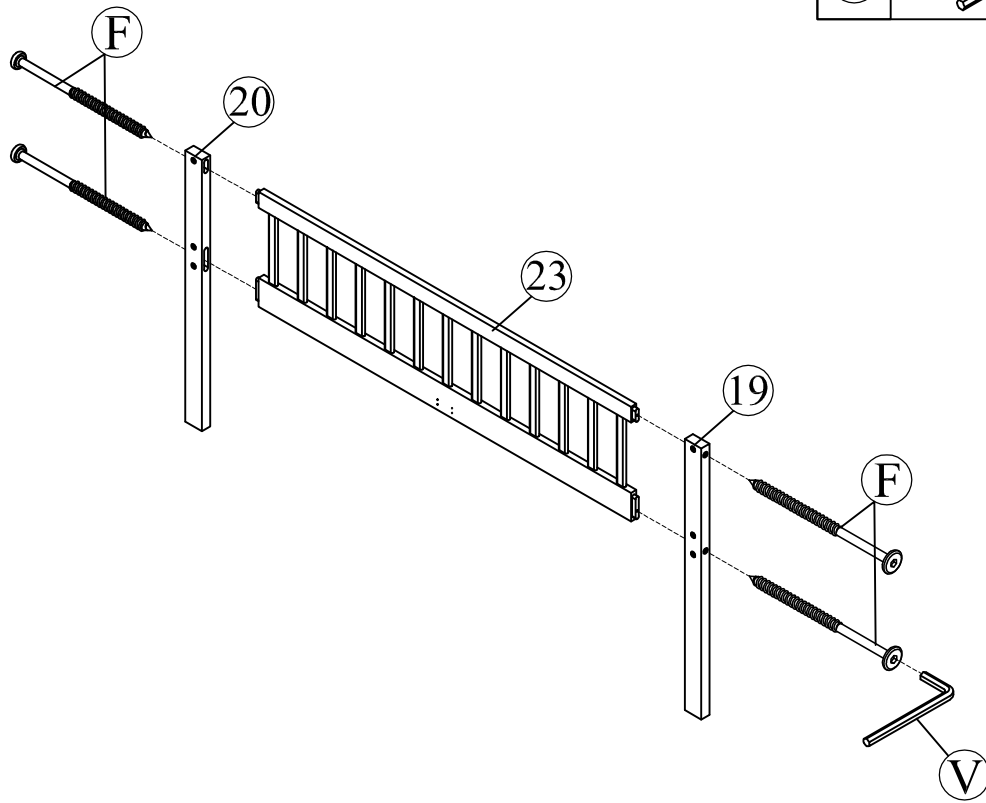
STEP 10:

(E)		04
(V)		01

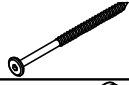



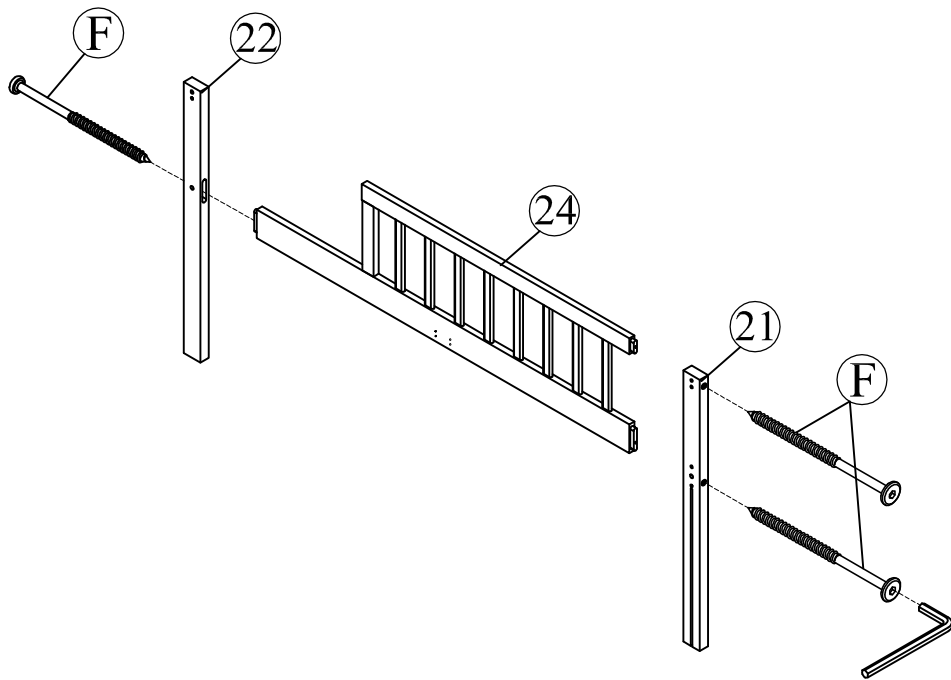
STEP 11:

(F)		04
(V)		01





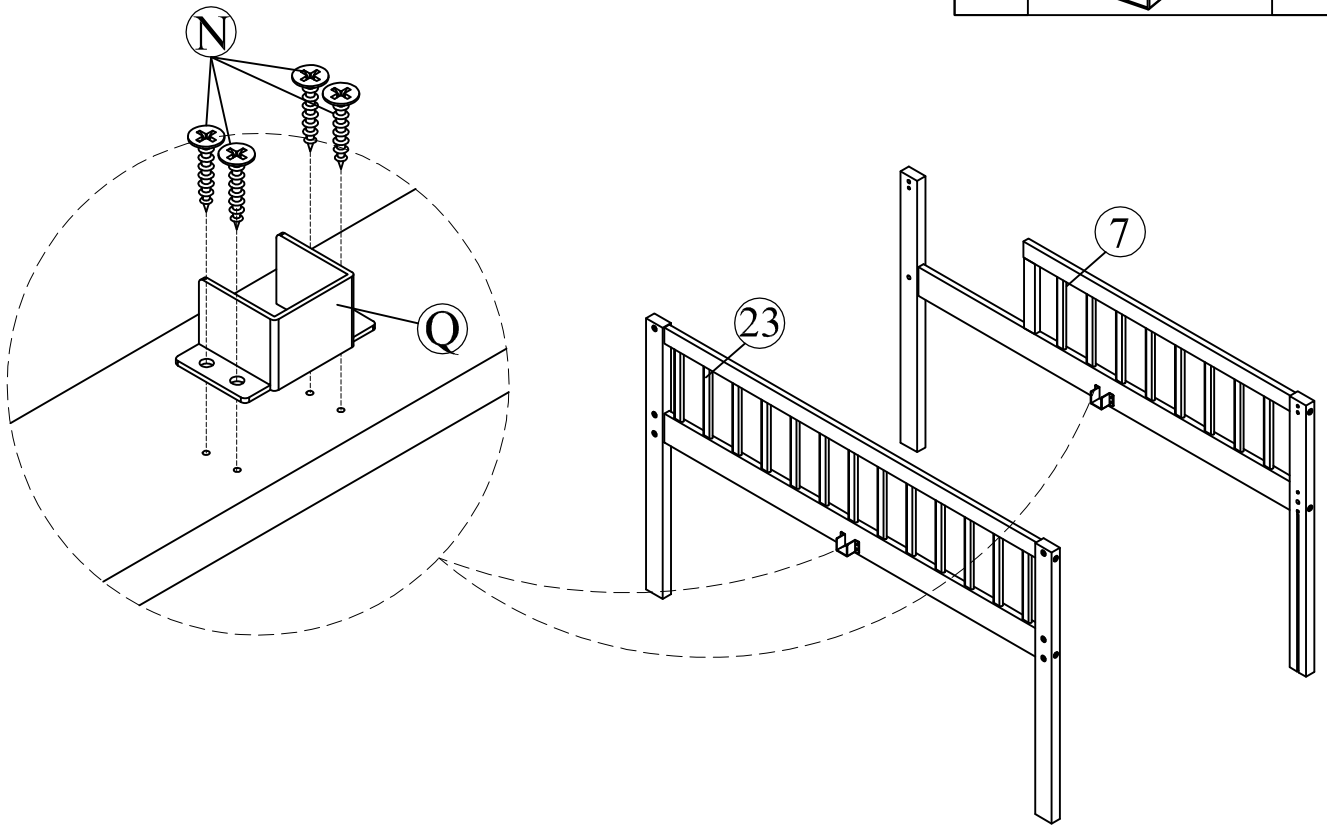
STEP 12:

(F)		03
(V)		01

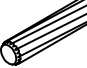




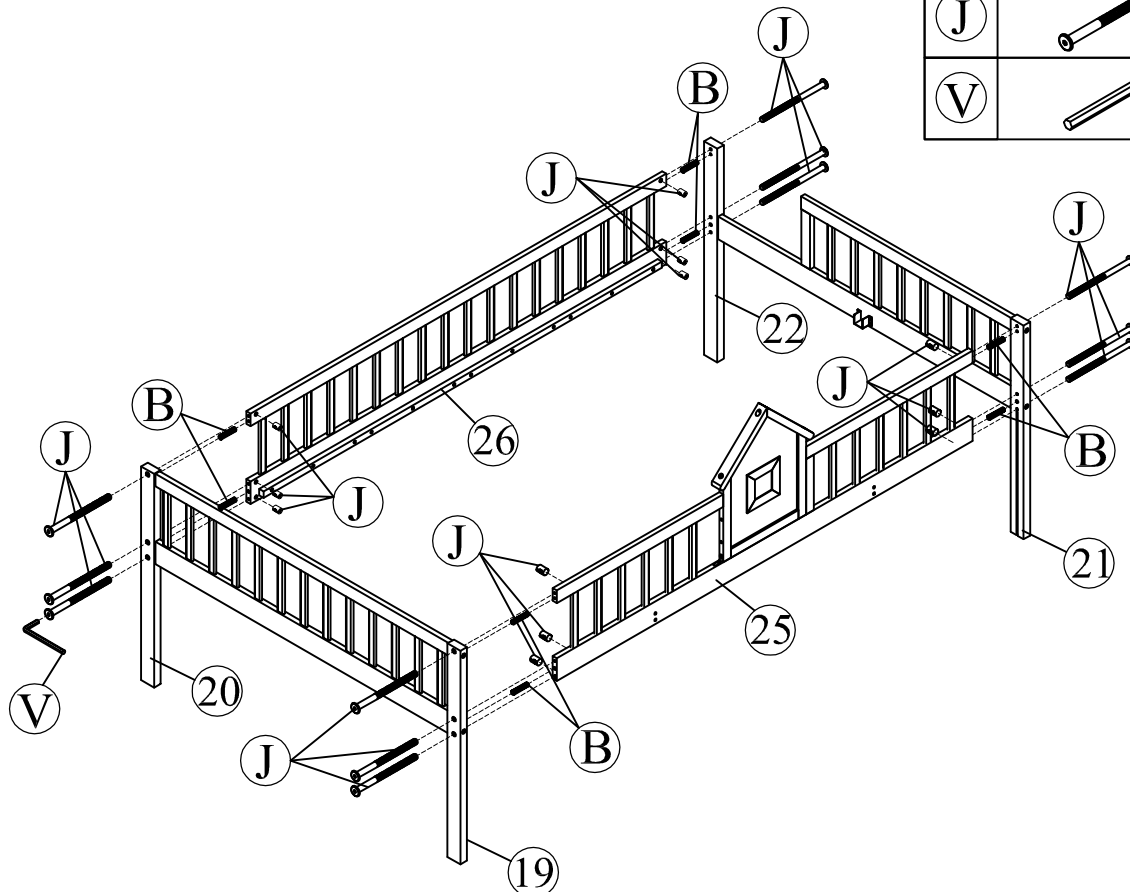
**STEP 13:**

(N)		08
(Q)		02

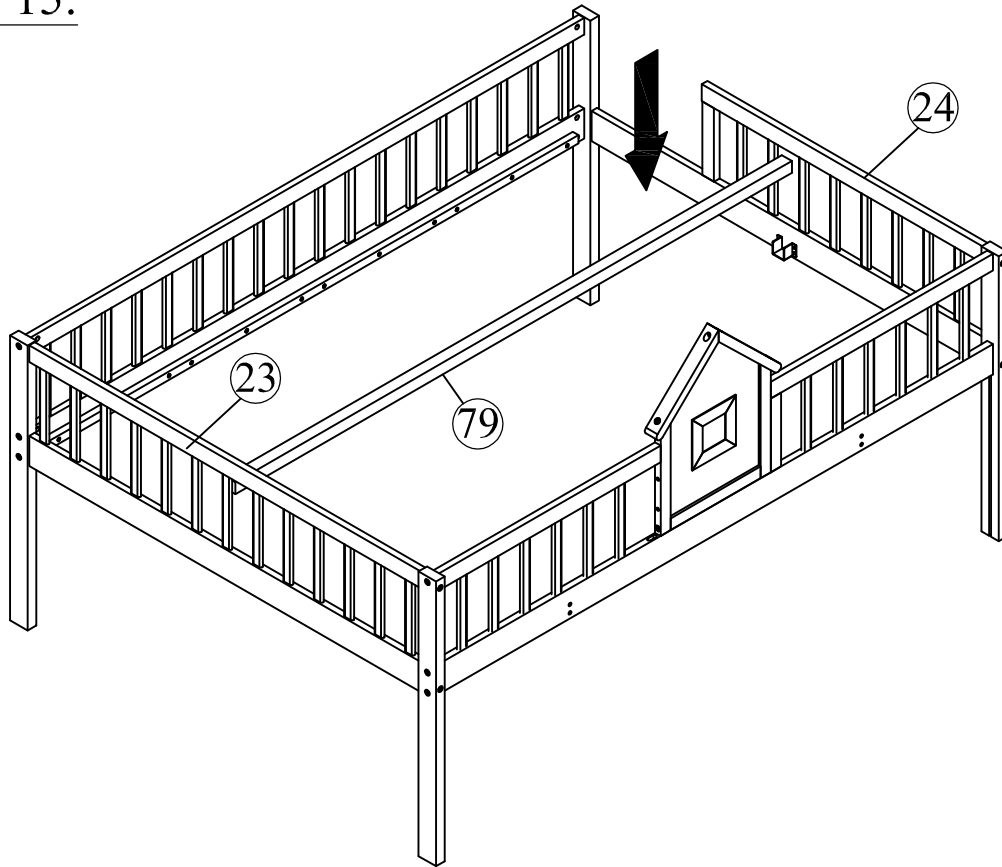


**STEP 14:**

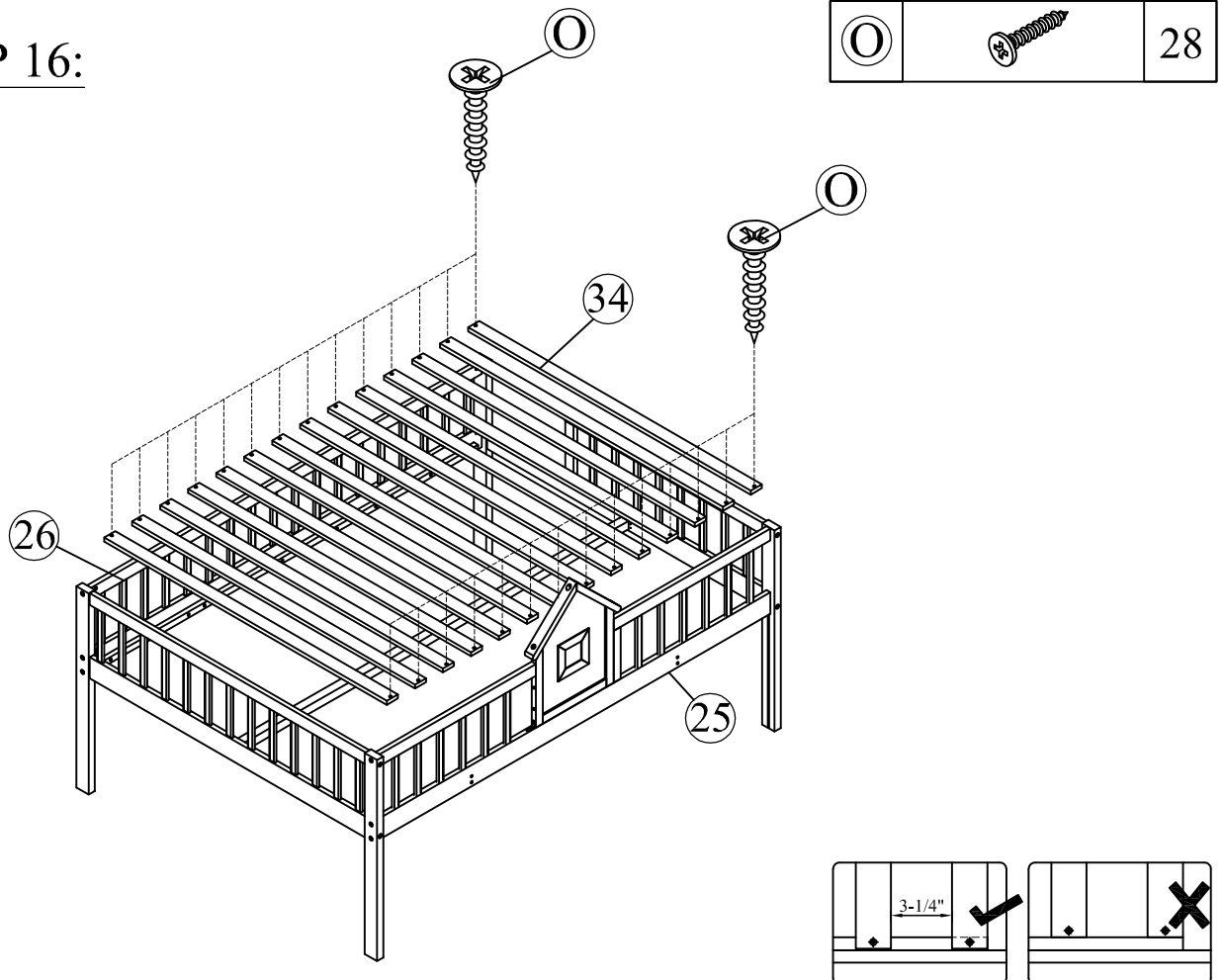
(B)		08
(J)		12
(V)		01



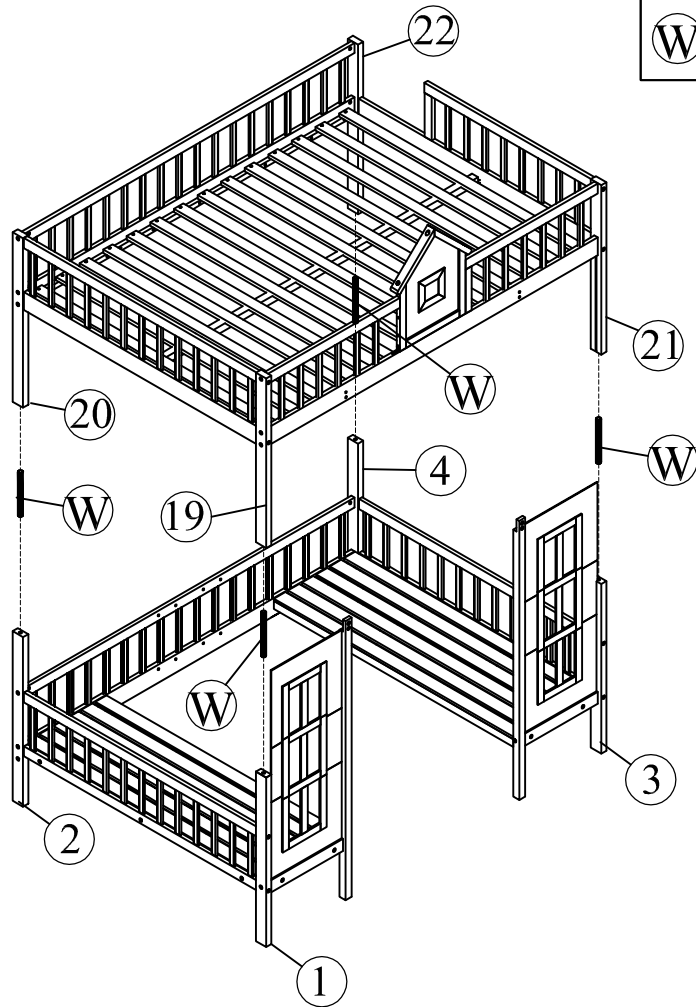
STEP 15:




STEP 16:

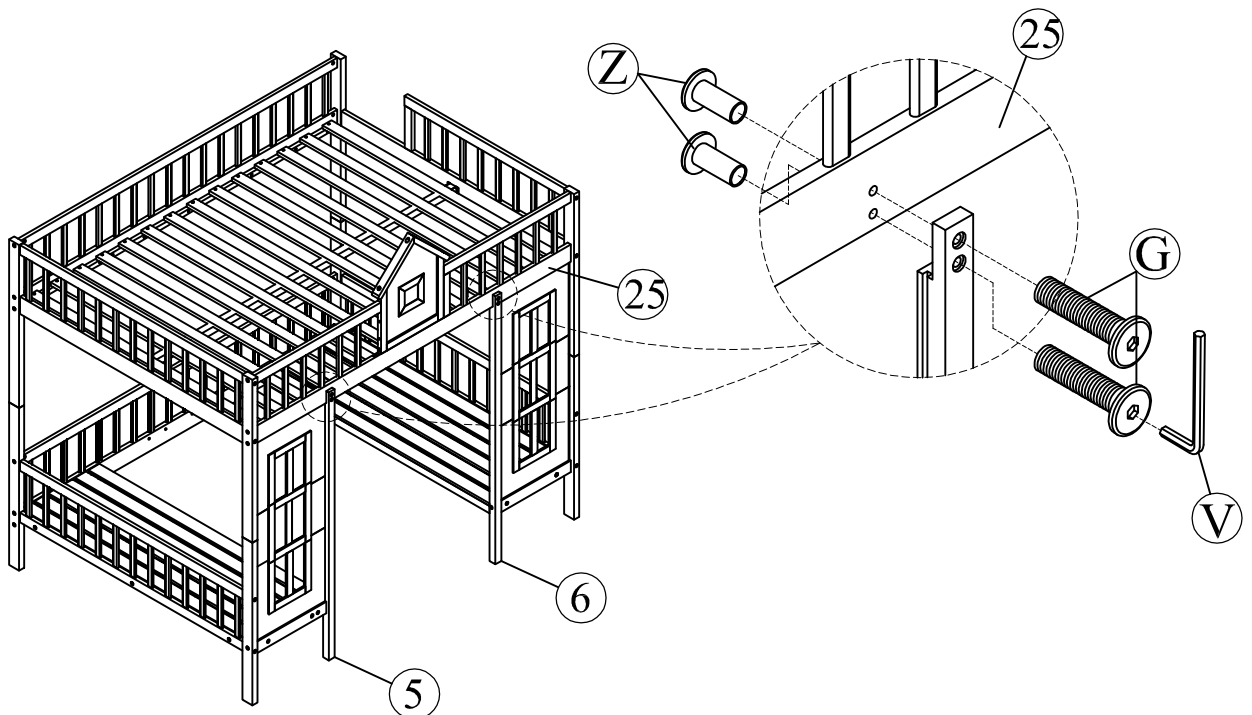





STEP 17:





(W)		04
-----	---	----

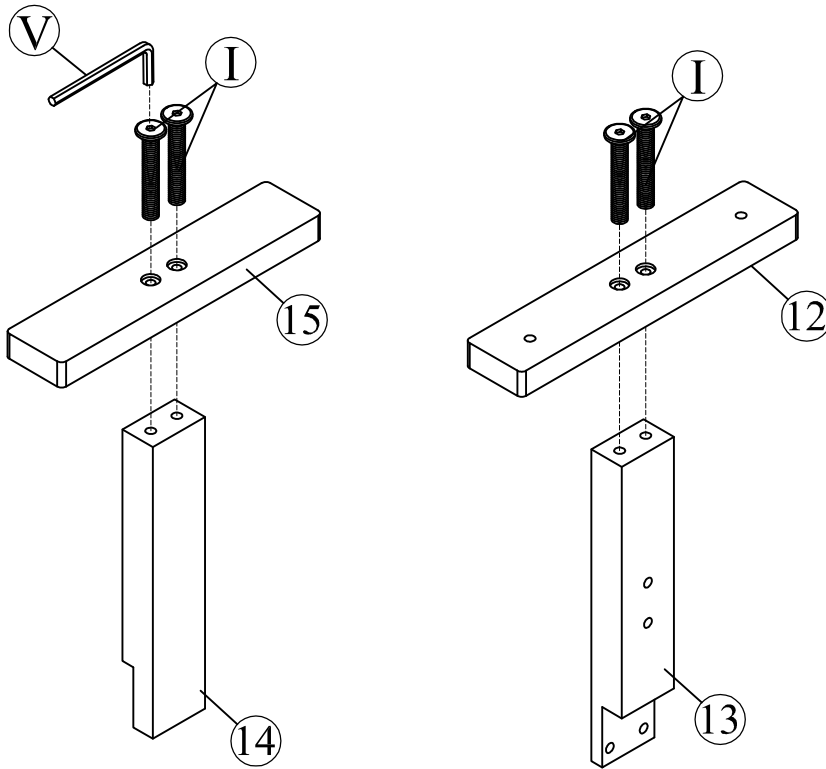
STEP 18:





(G)		04
(V)		01
(Z)		04

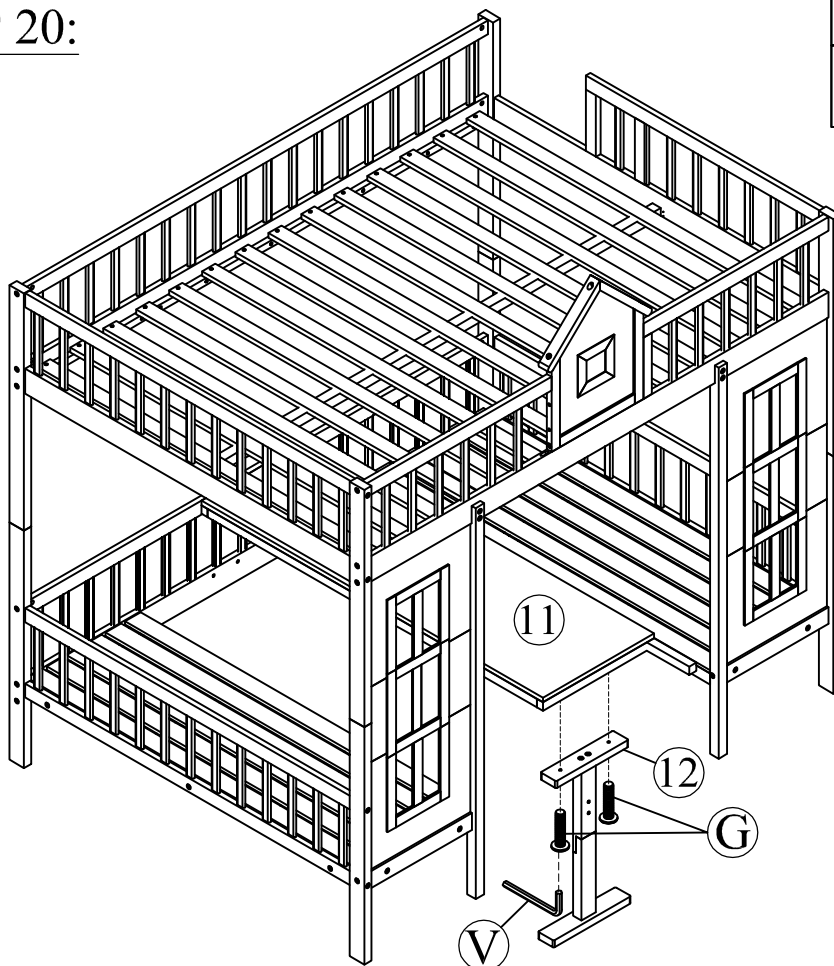
STEP 19:

(I)		04
(V)		01



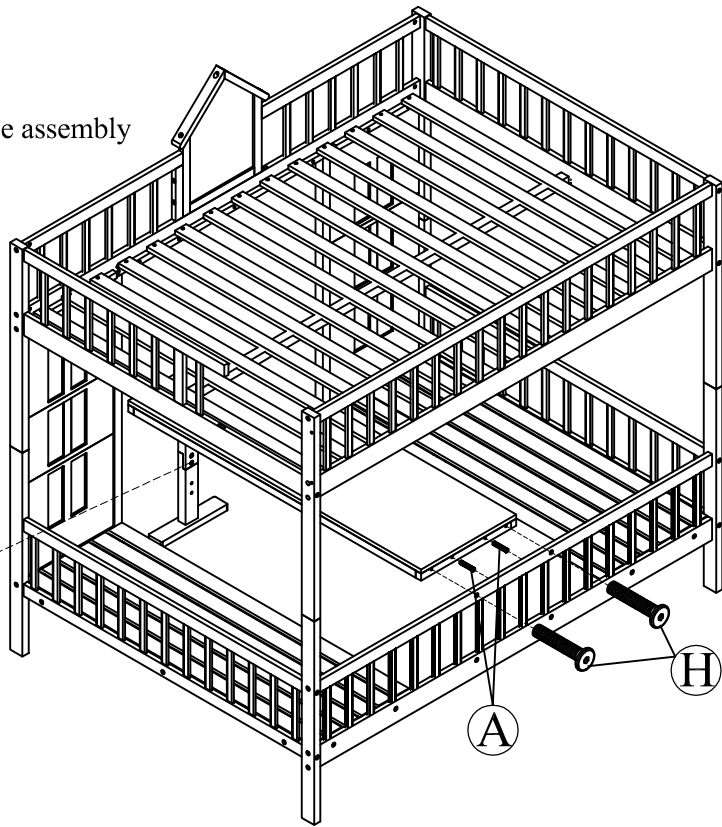
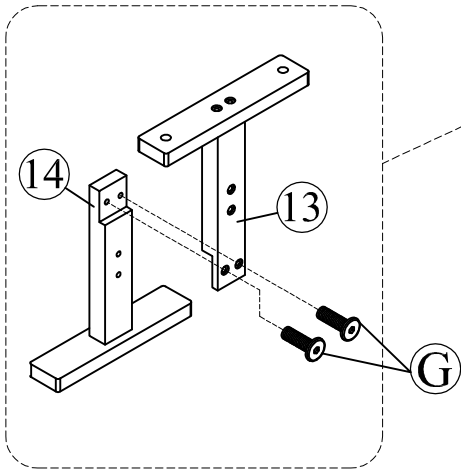
STEP 20:

(G)		02
(V)		01

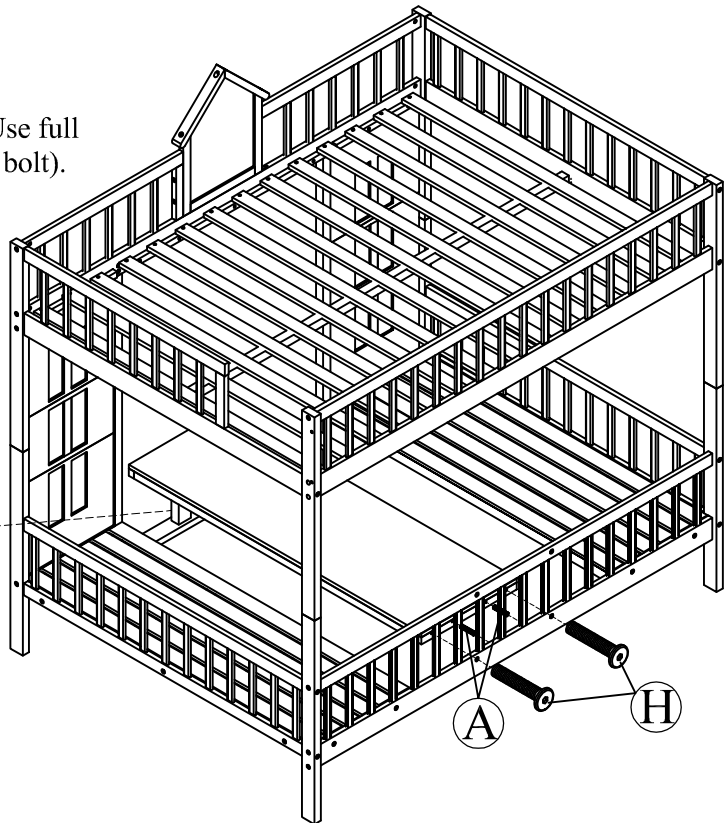
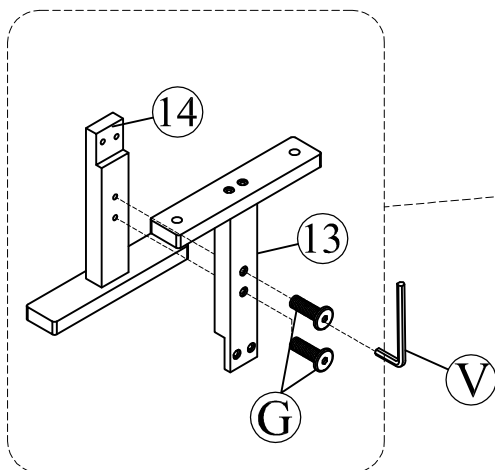






# STEP 21:

Lift part number 13 upwards to form a table assembly  
(replace bolt connection hole)

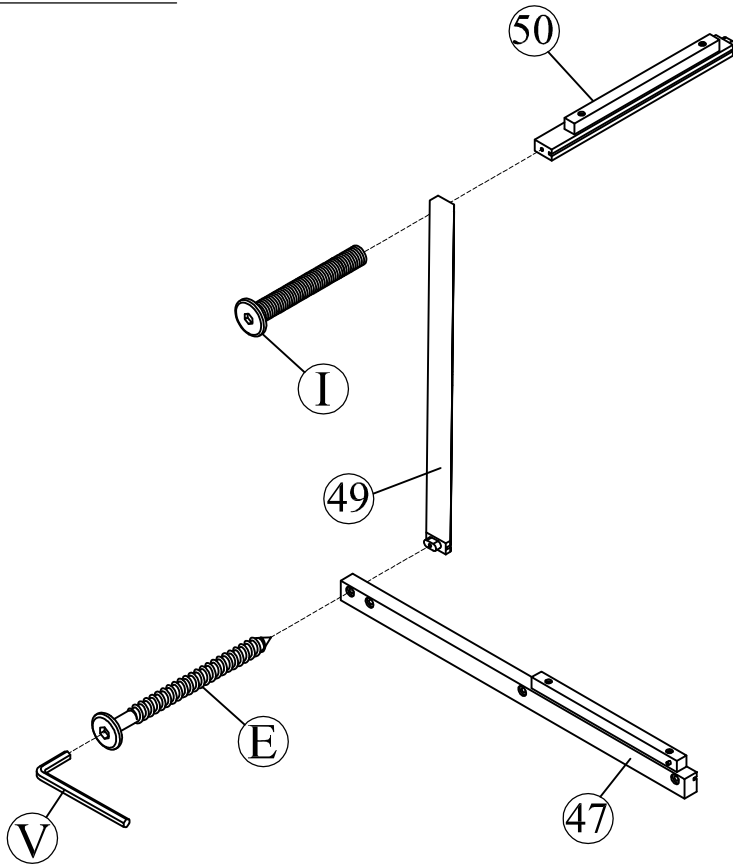





Lower detail number 13 to form a bed cluster. Use full  
standard mattress (replace connection hole with bolt).



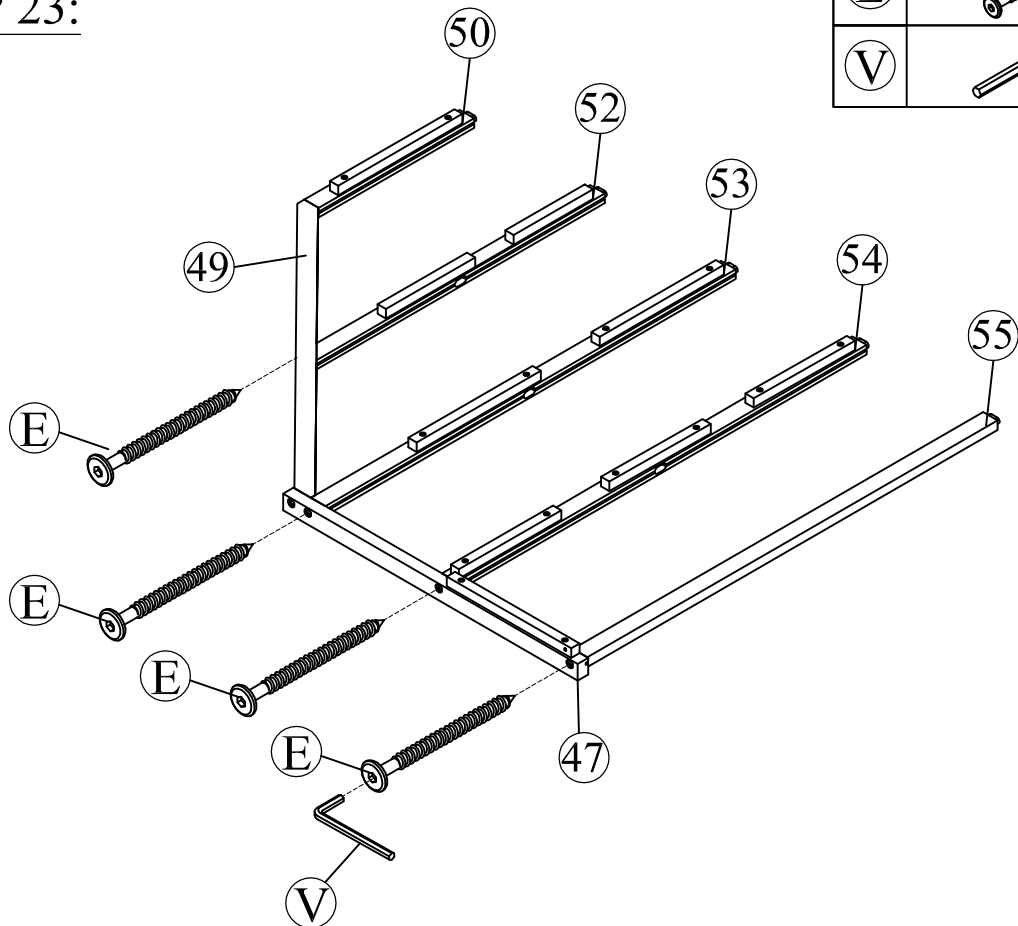
(A)		02	(H)		02
(G)		02	(V)		01



STEP 22:



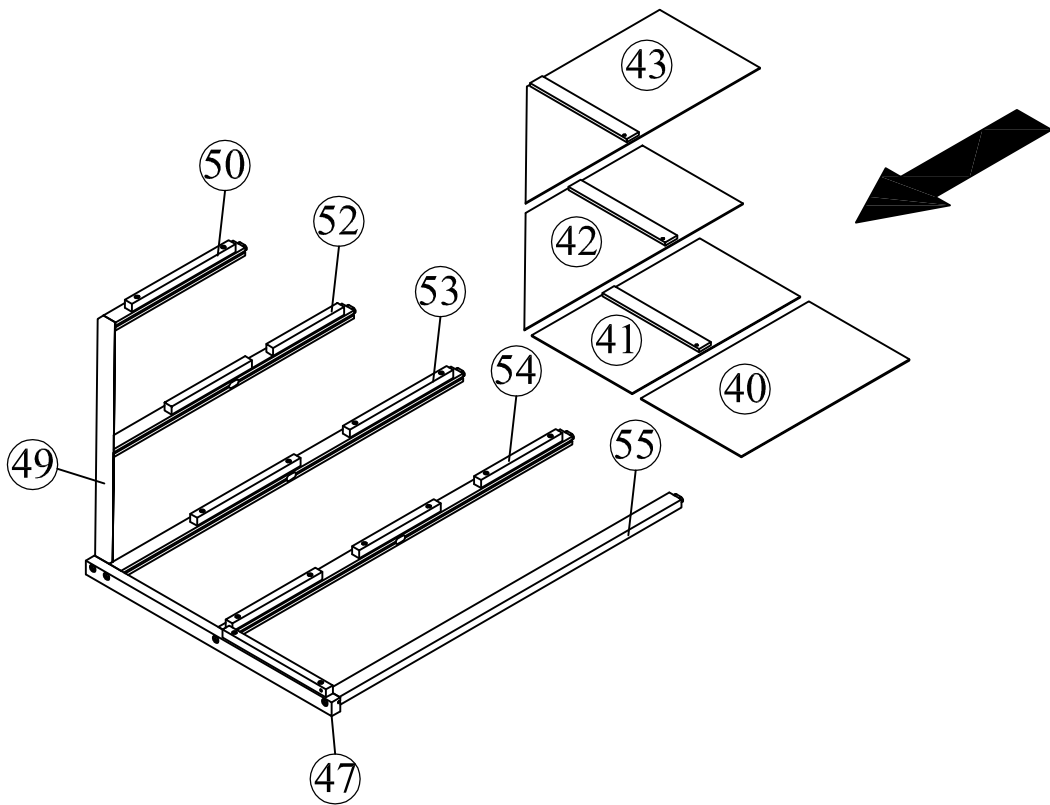
(E)		01
(I)		01
(V)		01

STEP 23:

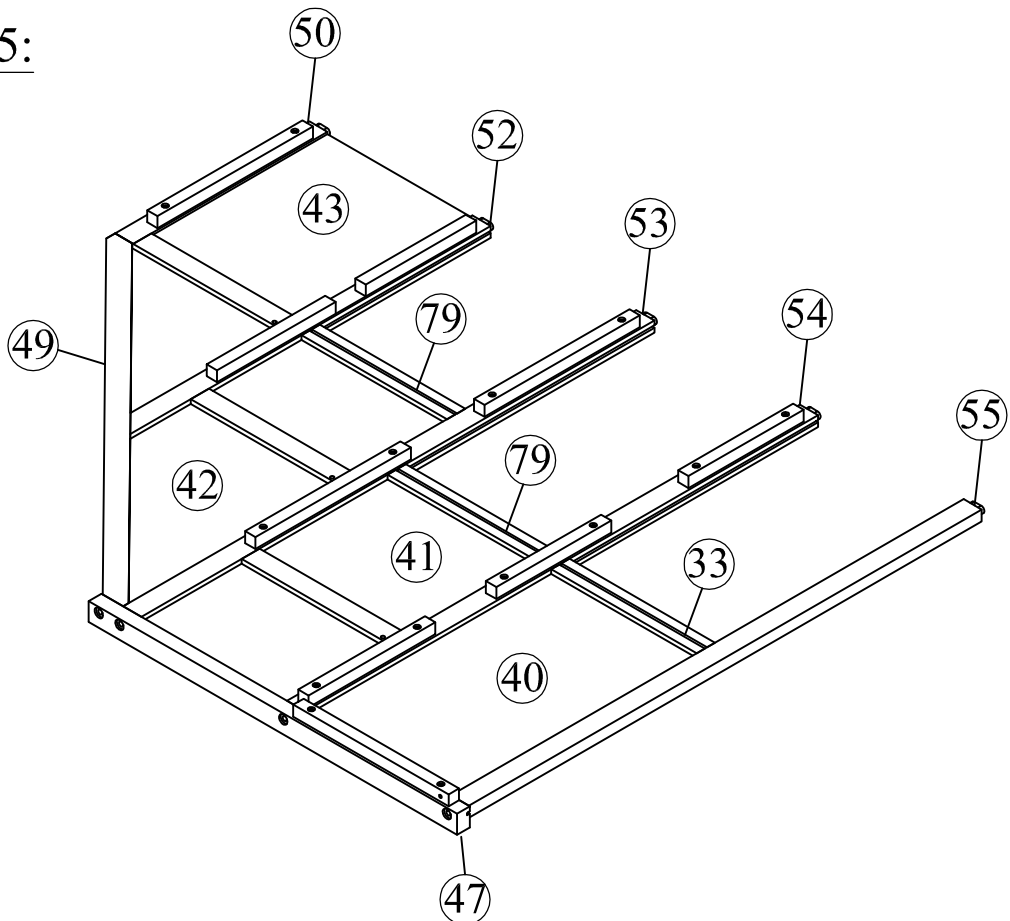


(E)		04
(V)		01

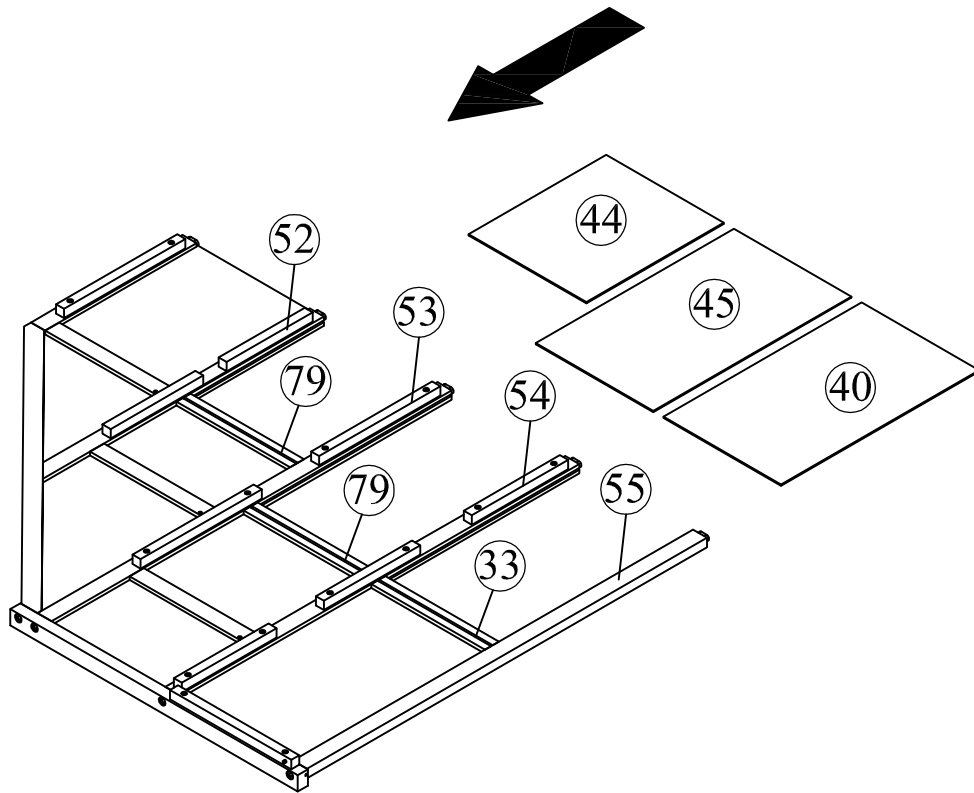
STEP 24:



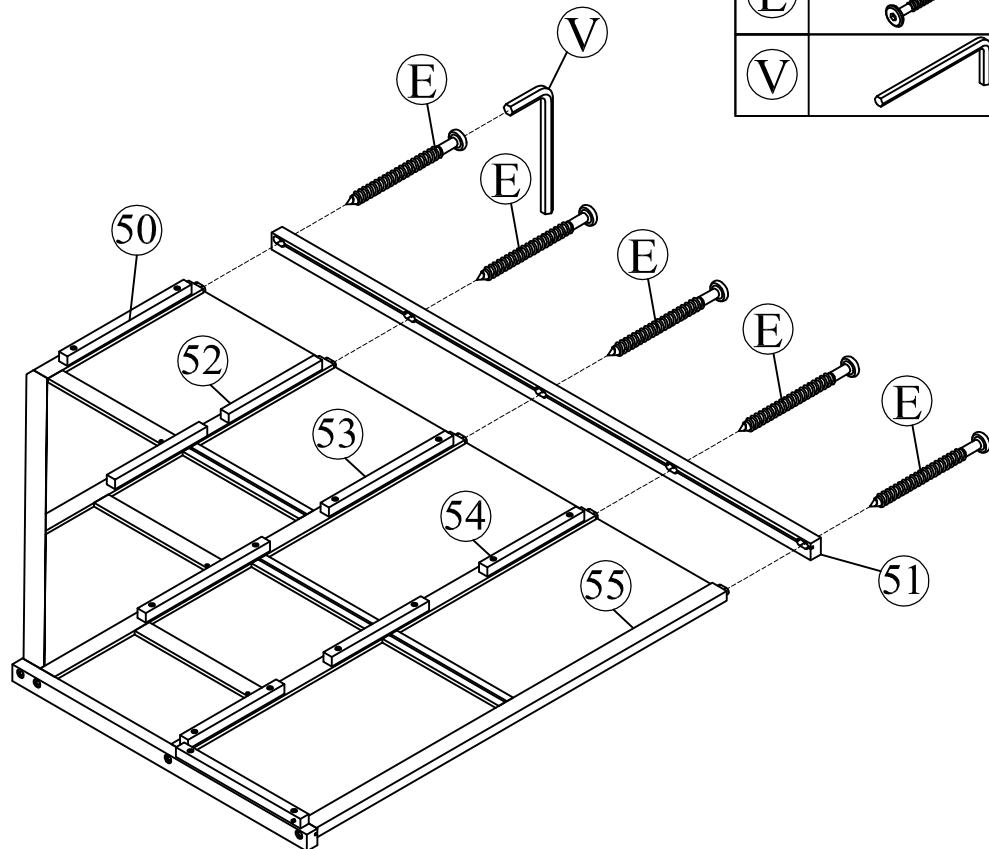
STEP 25:





STEP 26:





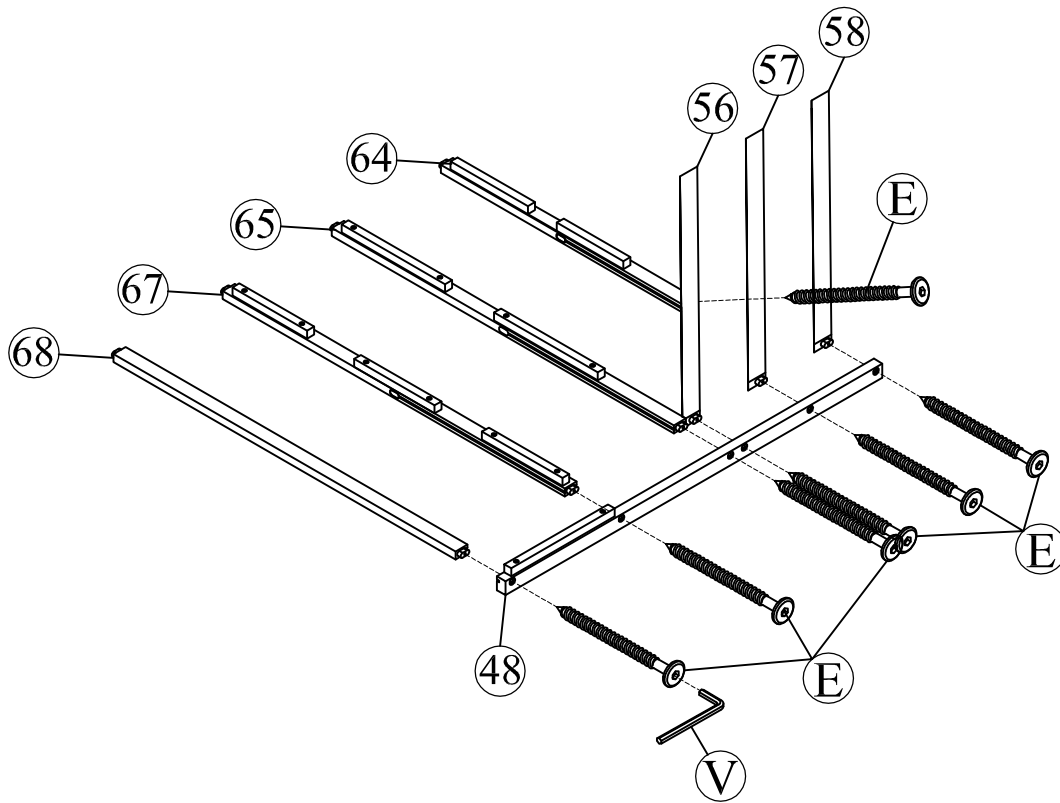
STEP 27:






(E)		05
(V)		01

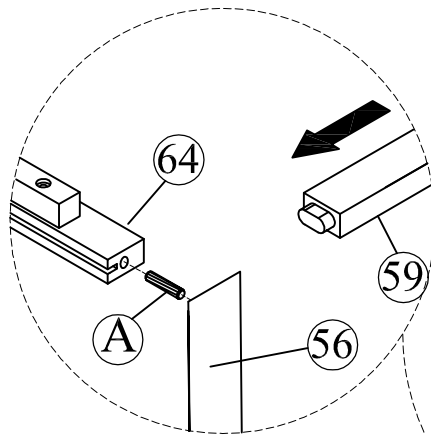
STEP 28:

(E)		07
(V)		01

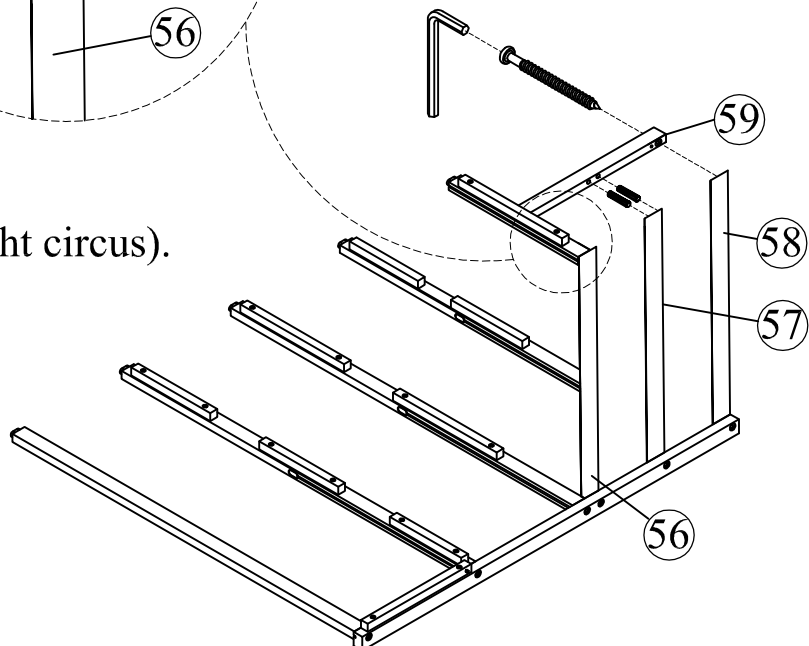


STEP 29:



(A)		03
(E)		01
(V)		01



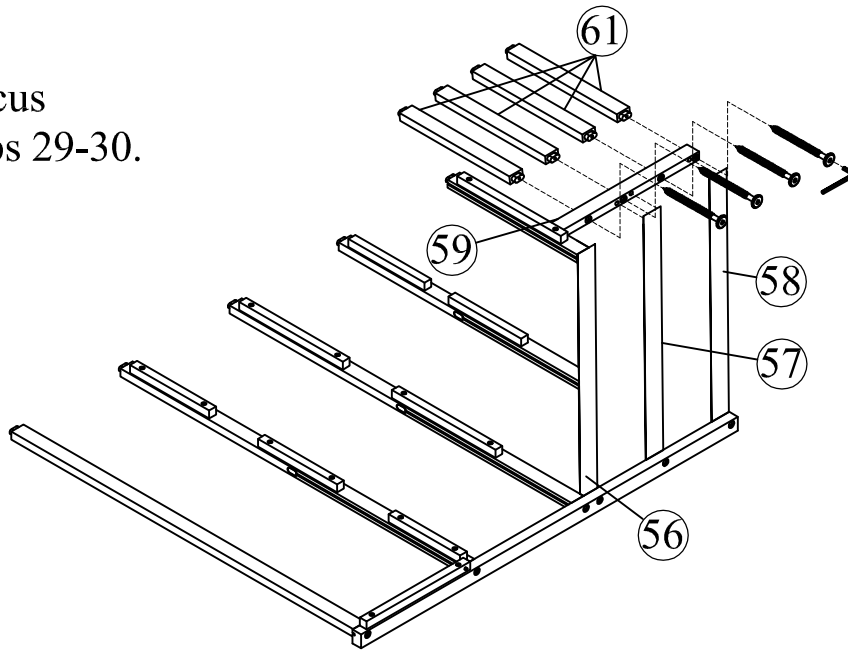
Fixed assembly (no tight circus).  
To perform step 30.





STEP 30:

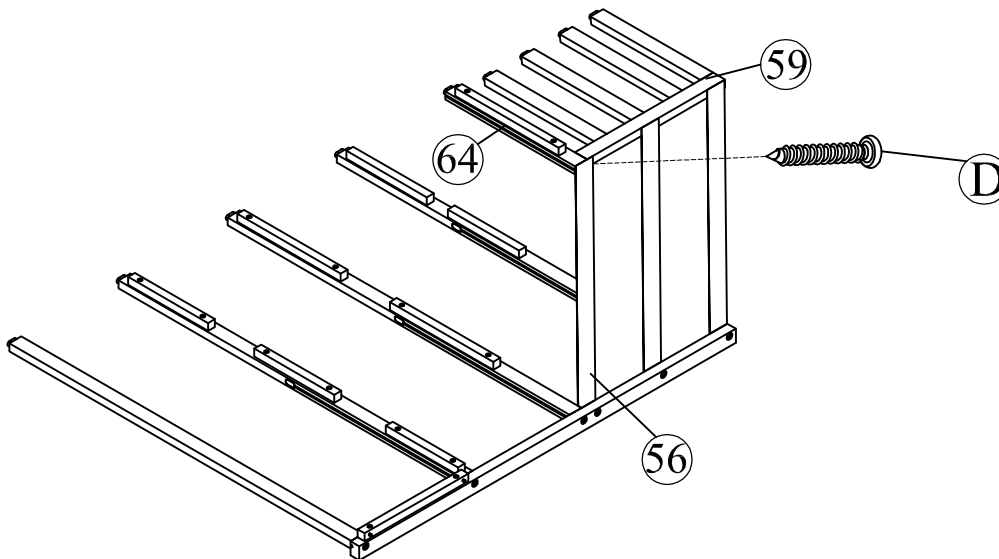
(E)		04
(V)		01

Tight circus  
Both steps 29-30.

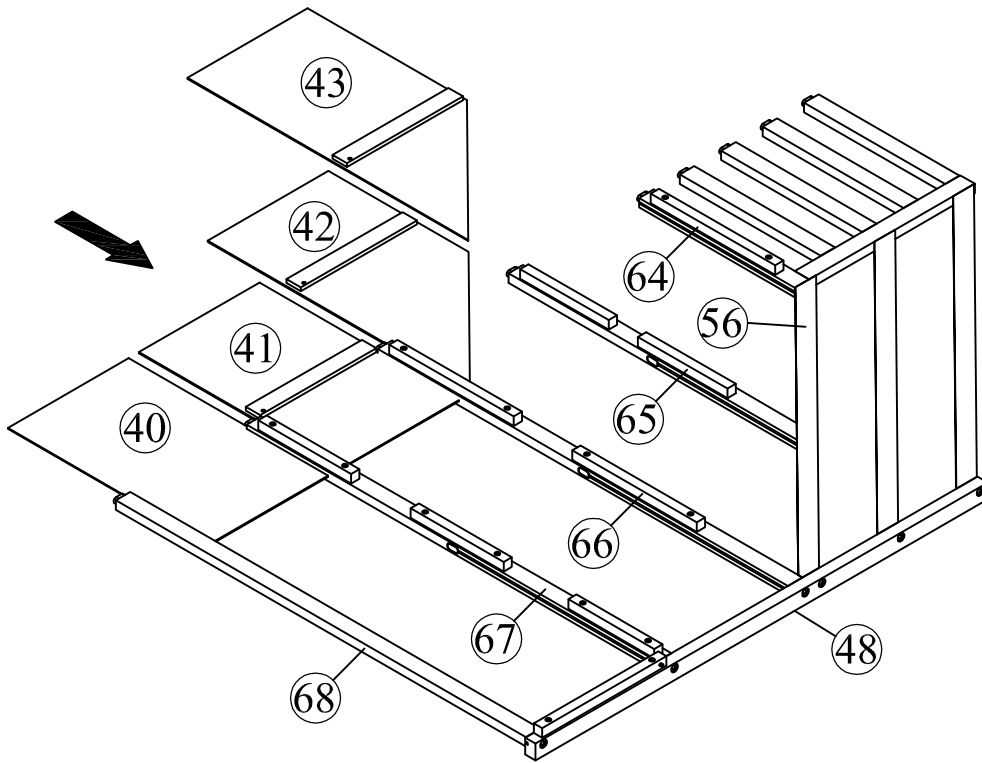


STEP 31:

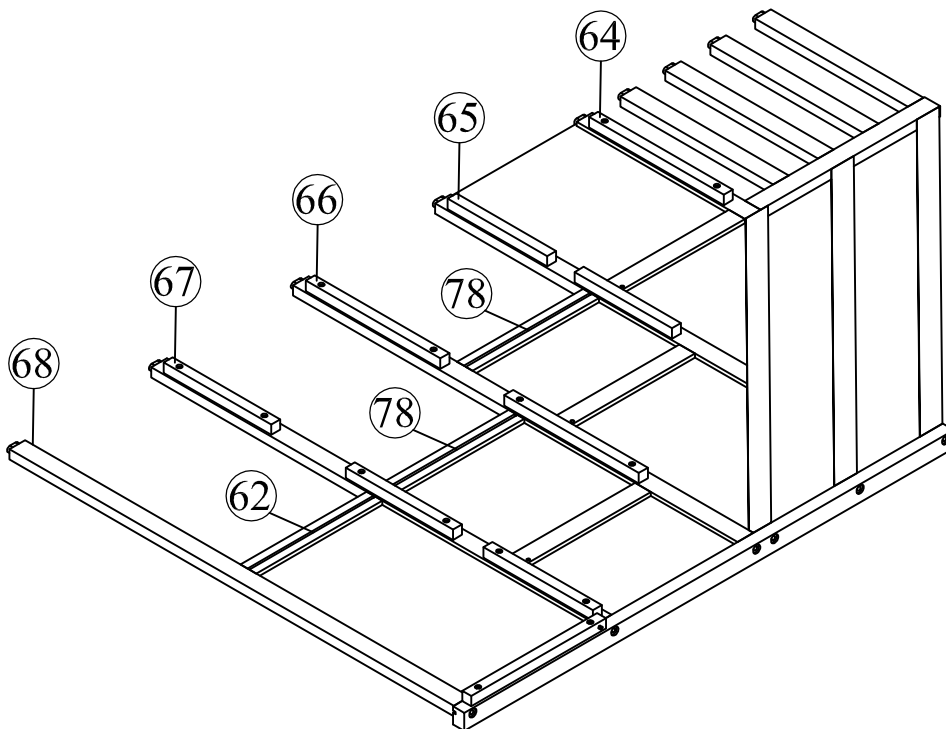
(D)		01
(V)		01





STEP 32:

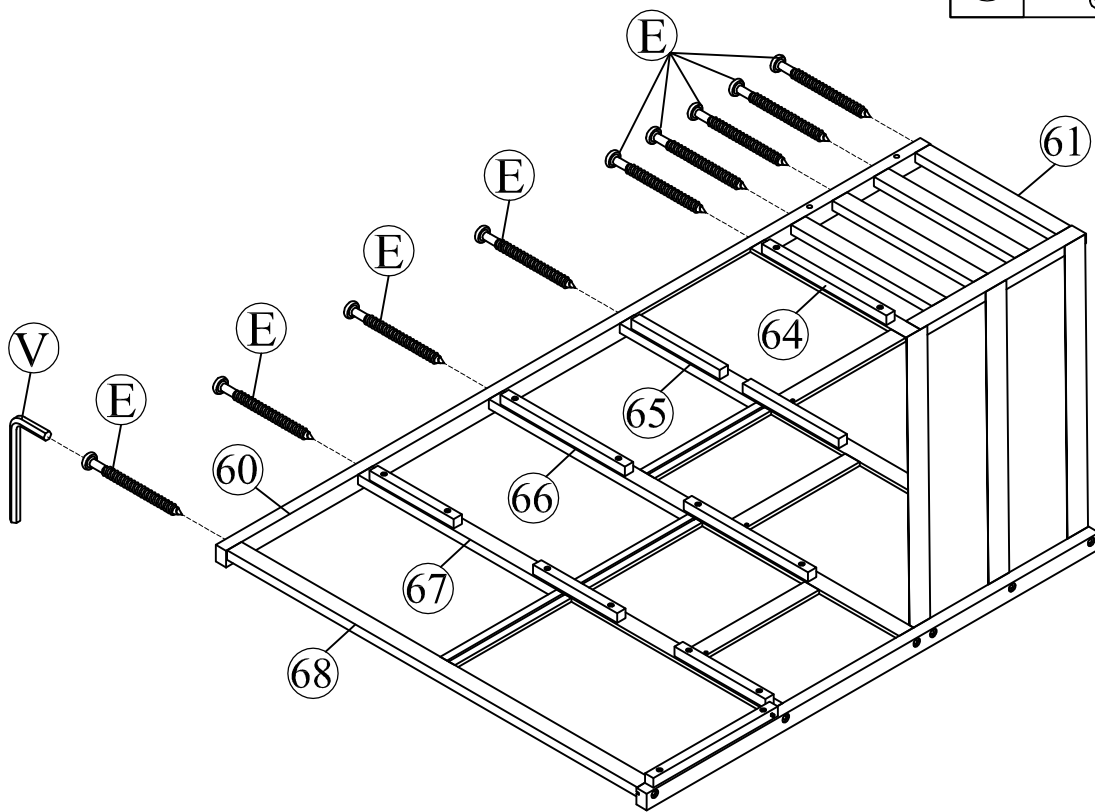


STEP 33:





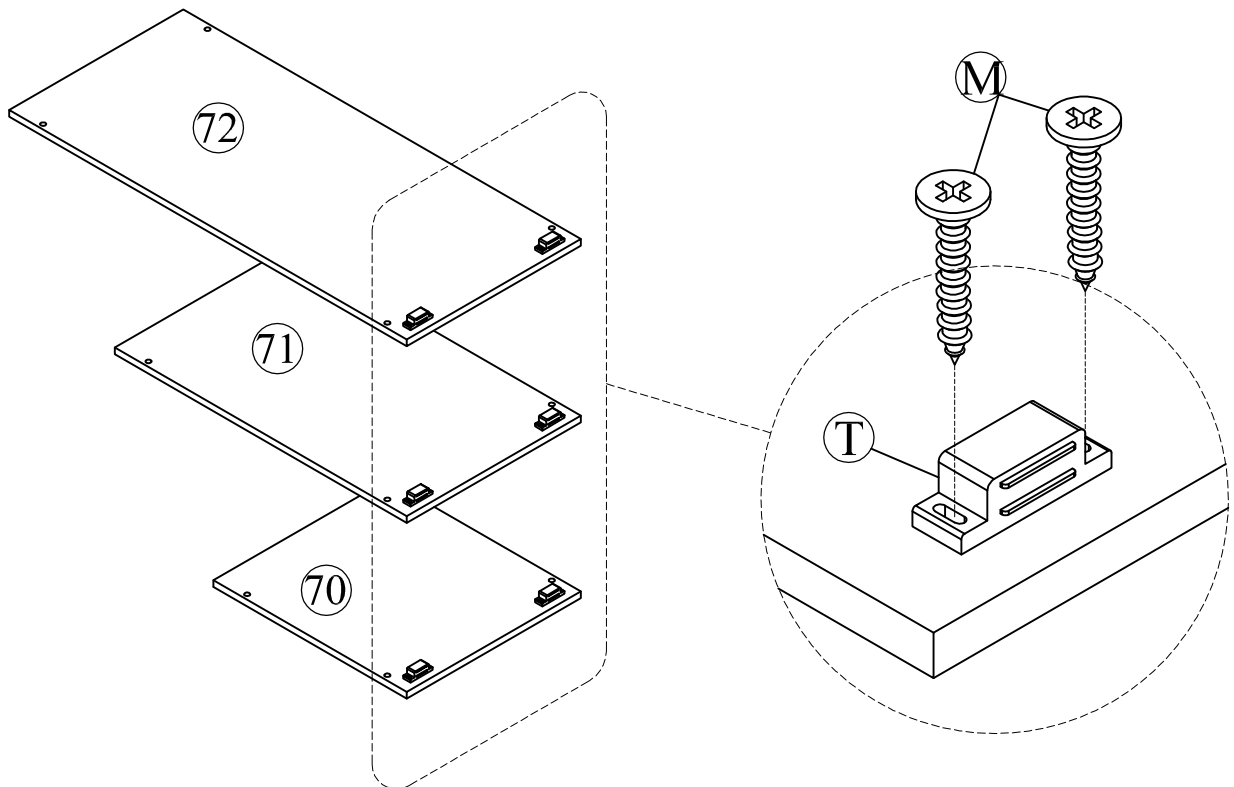
**STEP 34:**

(E)		09
(V)		01

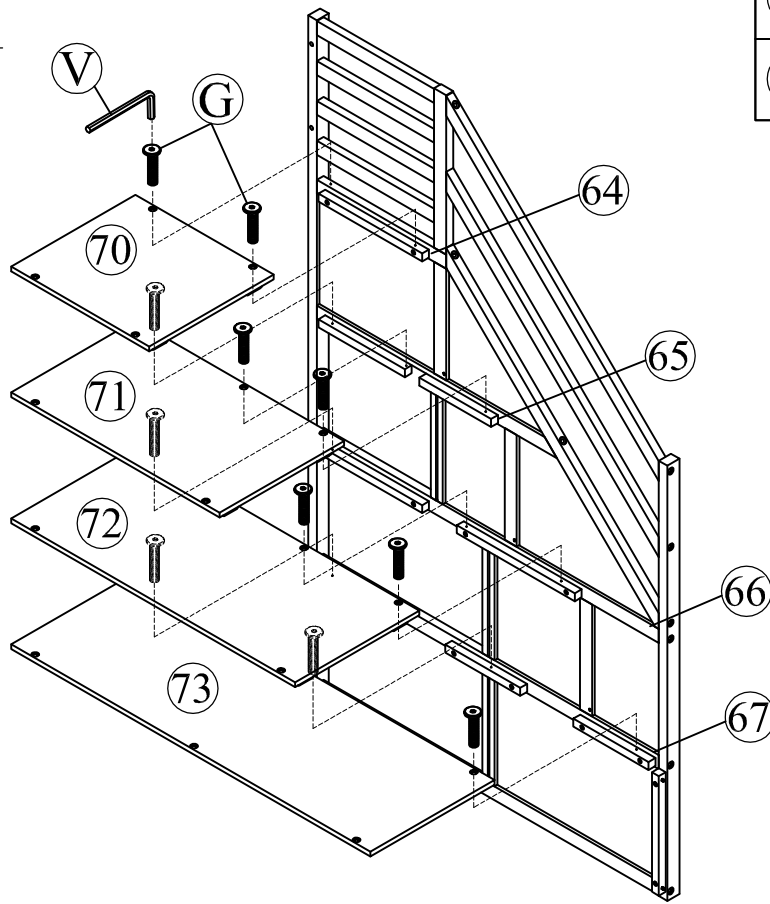




**STEP 35:**

(M)		12
(T)		06

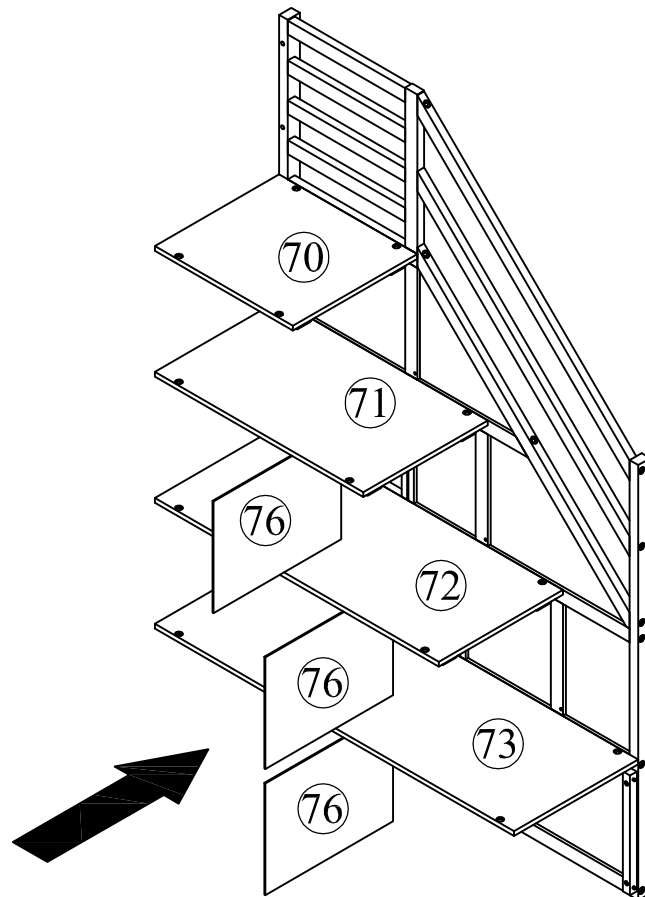


STEP 36:

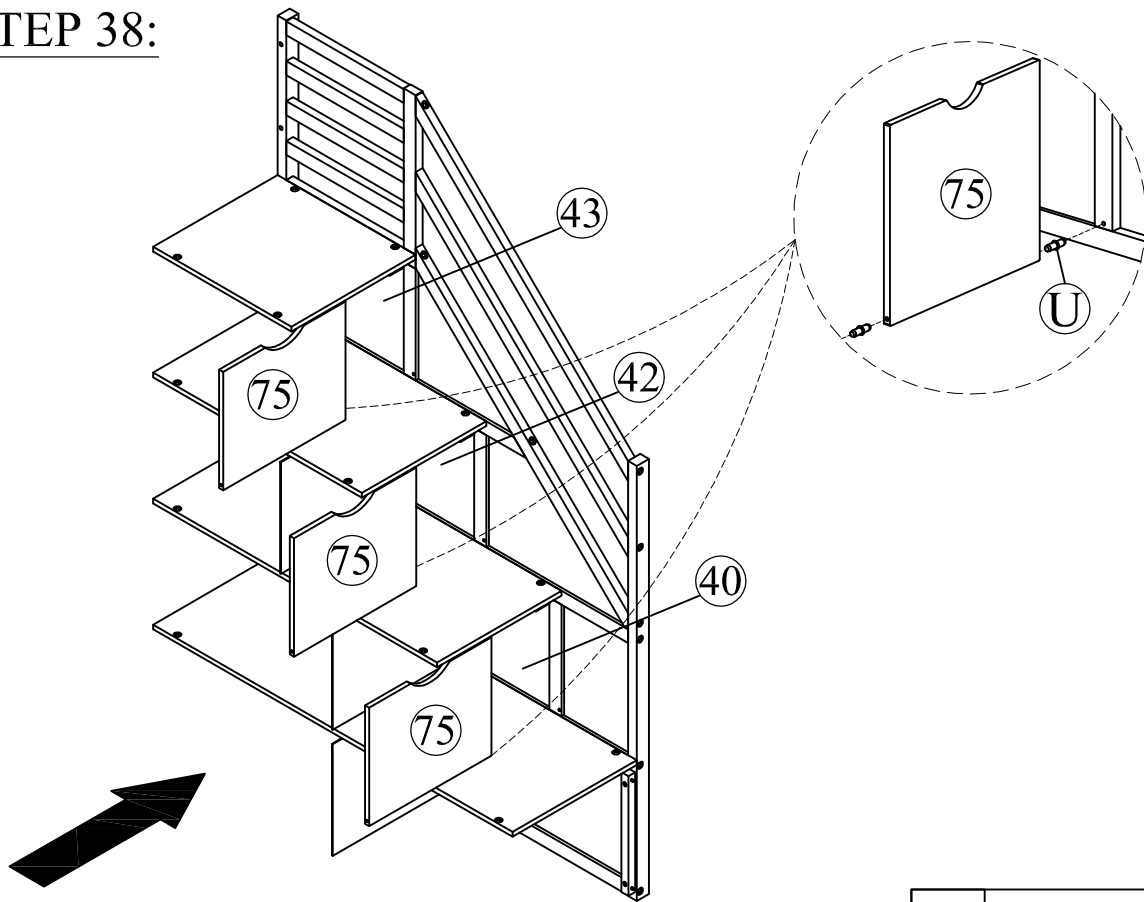



G		11
V		01

STEP 37:

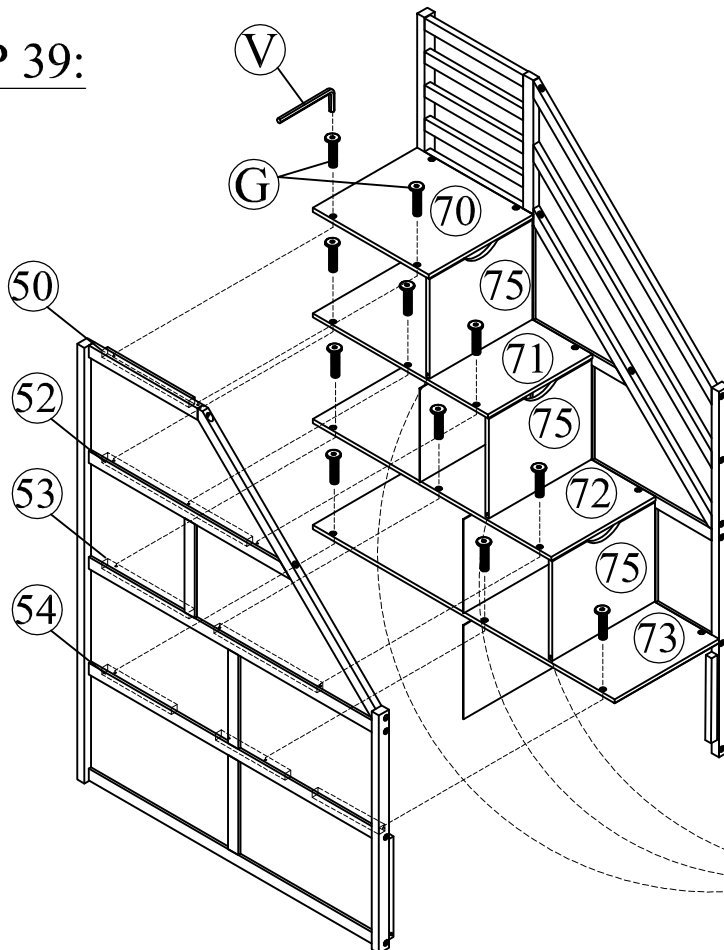





**STEP 38:**




U		03
---	---	----

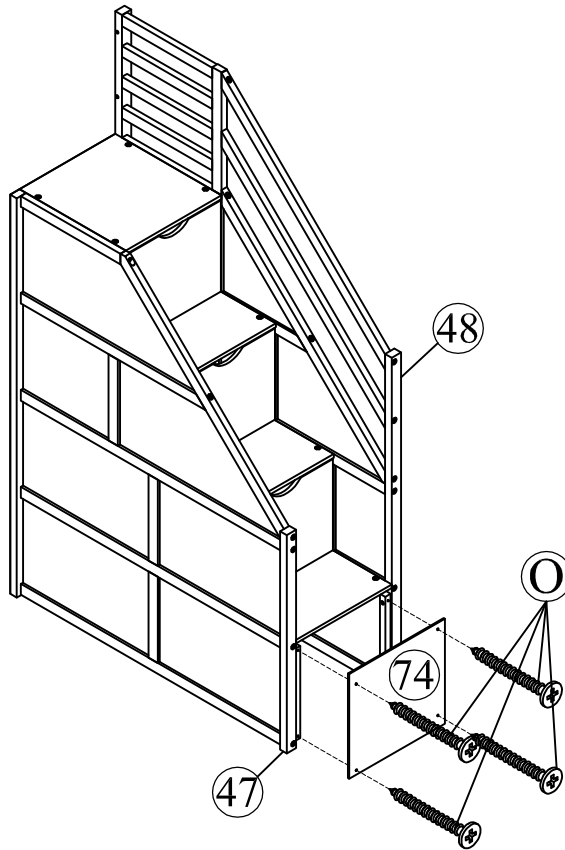
**STEP 39:**





G		11
U		03
V		01

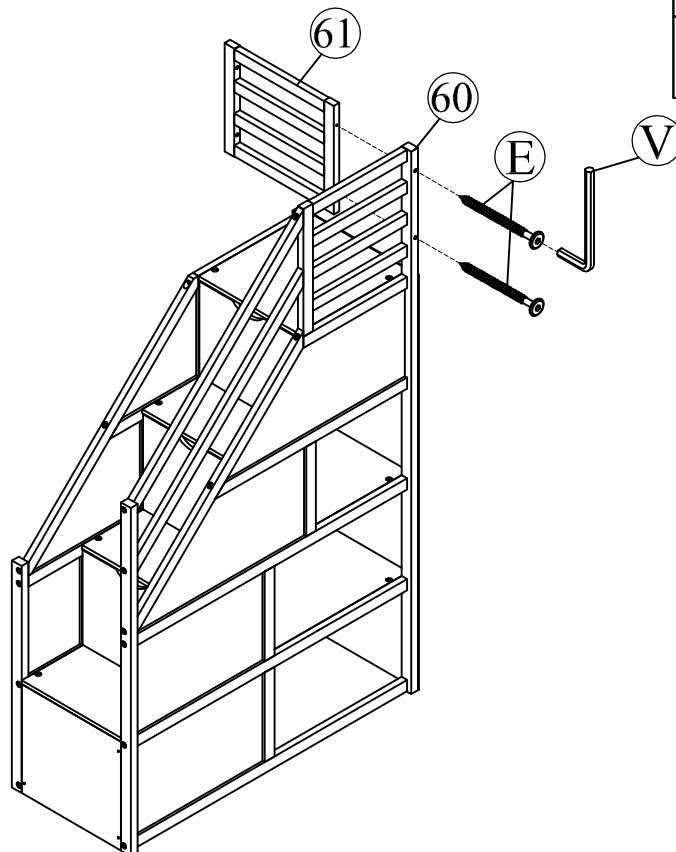
STEP 40:

⓪		04
---	---	----

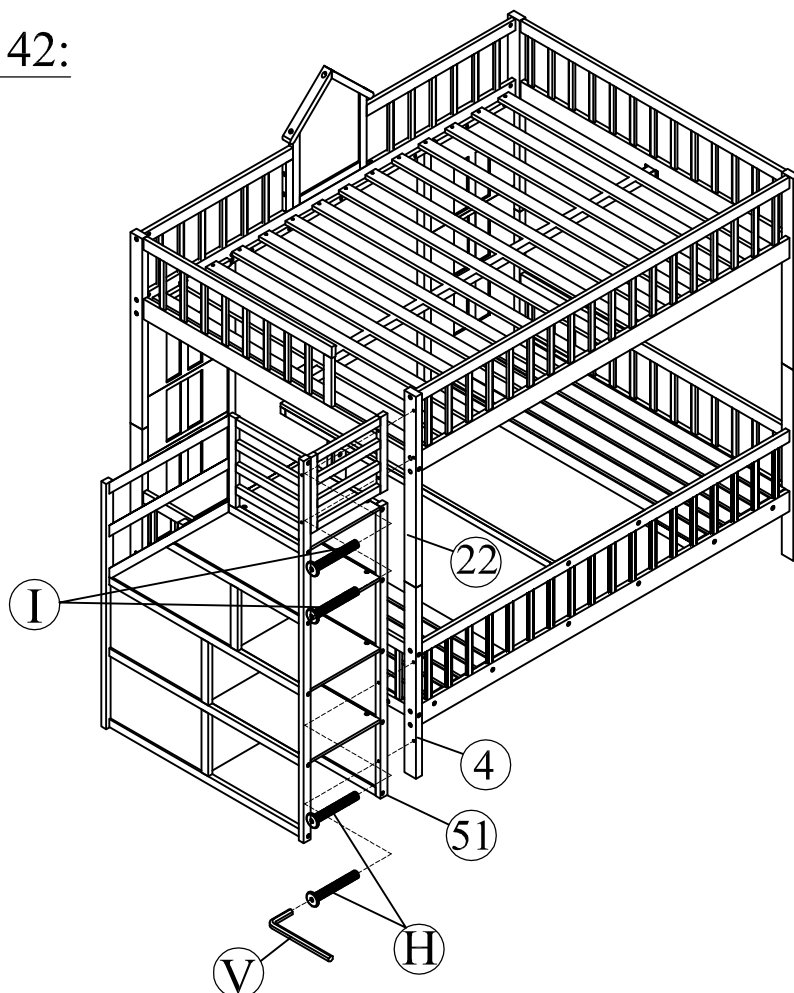





STEP 41:

ⓔ		02
Ⓥ		01

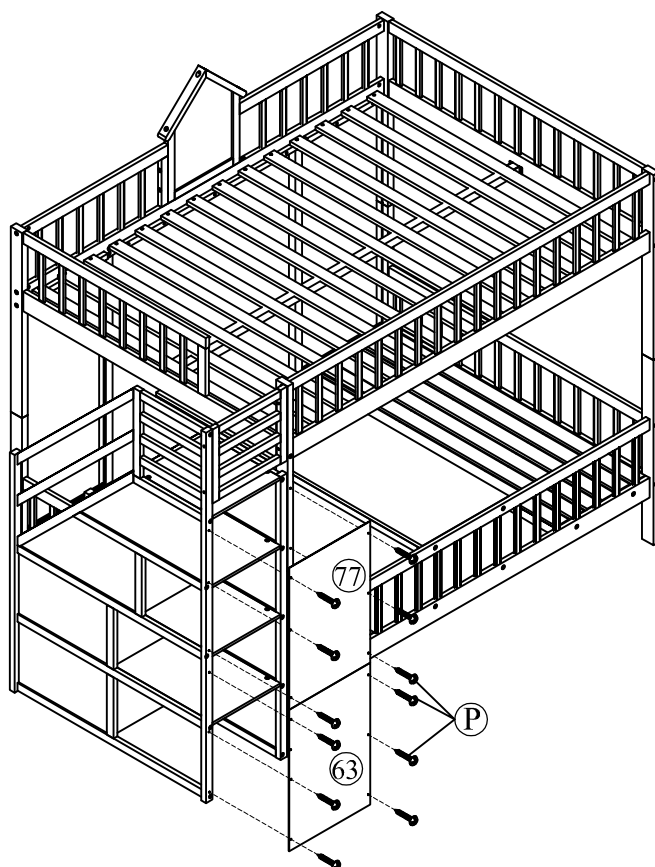



STEP 42:



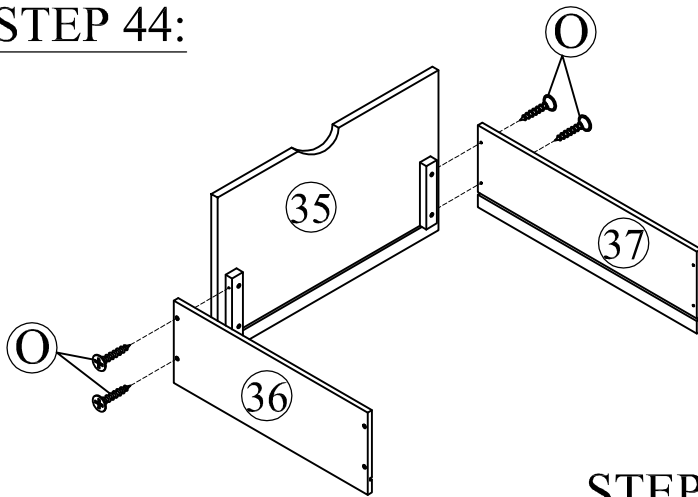
(H)		02
(I)		02
(V)		01

STEP 43:



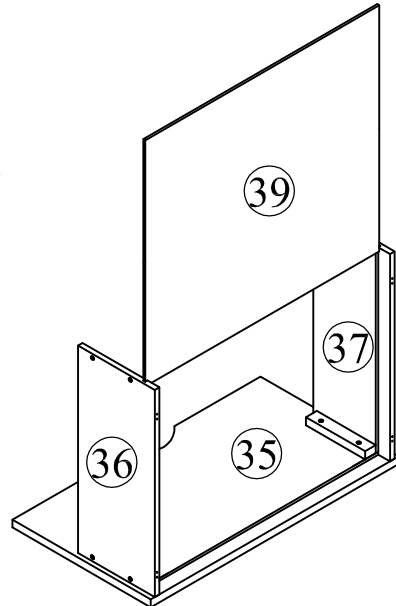
(P)		12
-----	---	----

STEP 44:

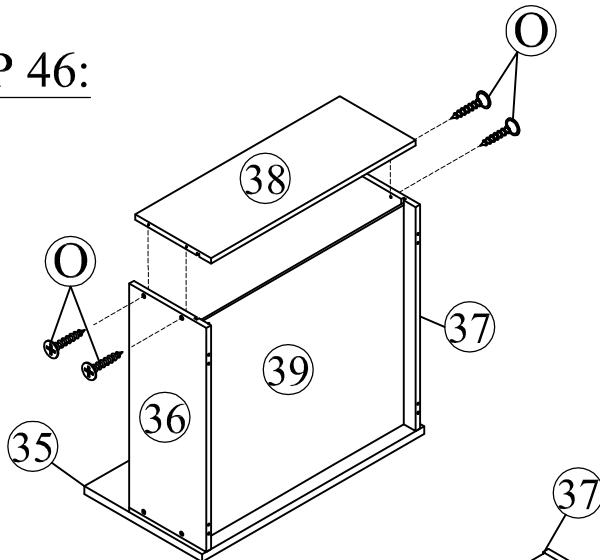


(M)		32
(O)		16
(R)		08

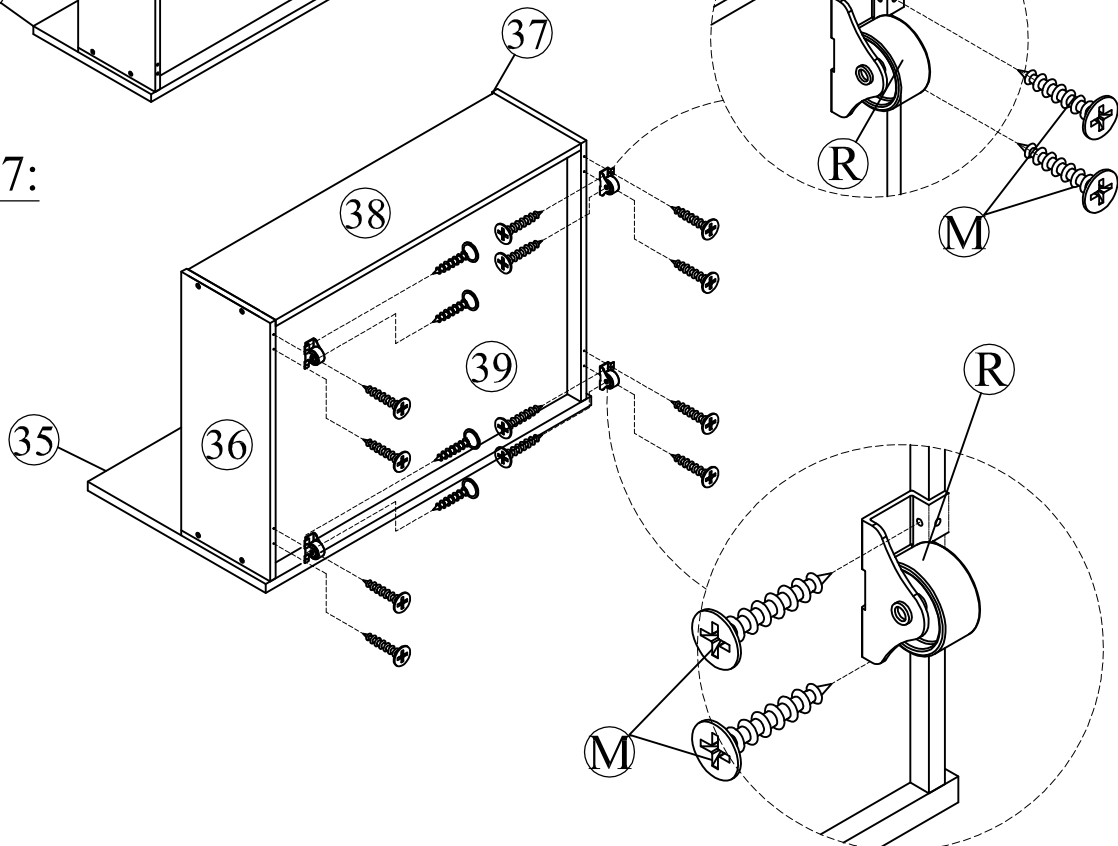
STEP 45:



STEP 46:

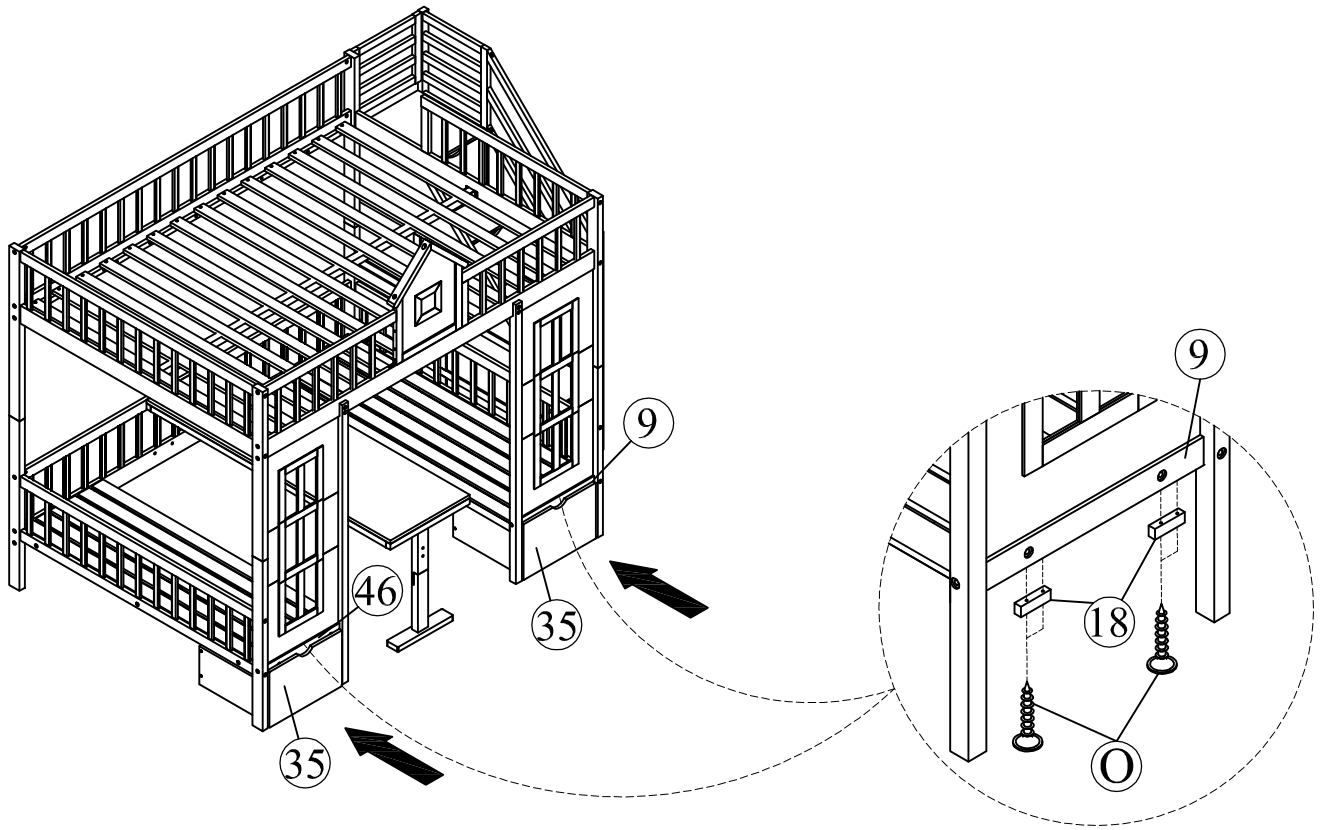


STEP 47:



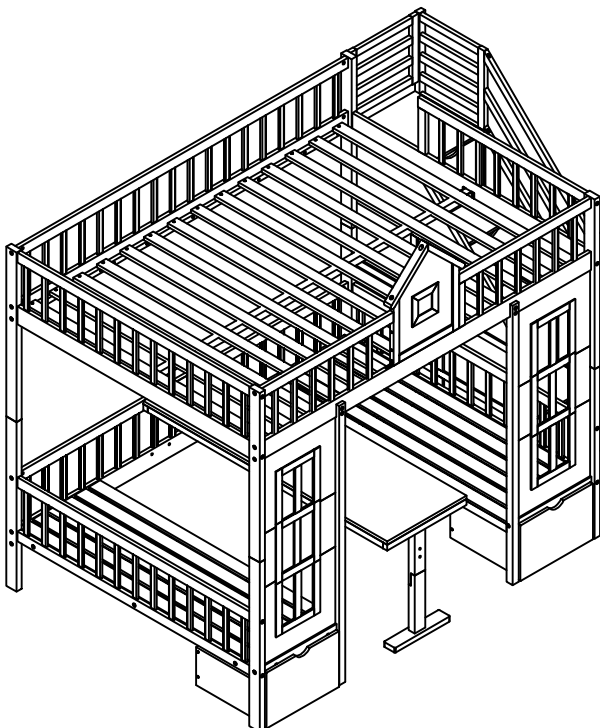
# STEP 48:

O		08
---	---	----



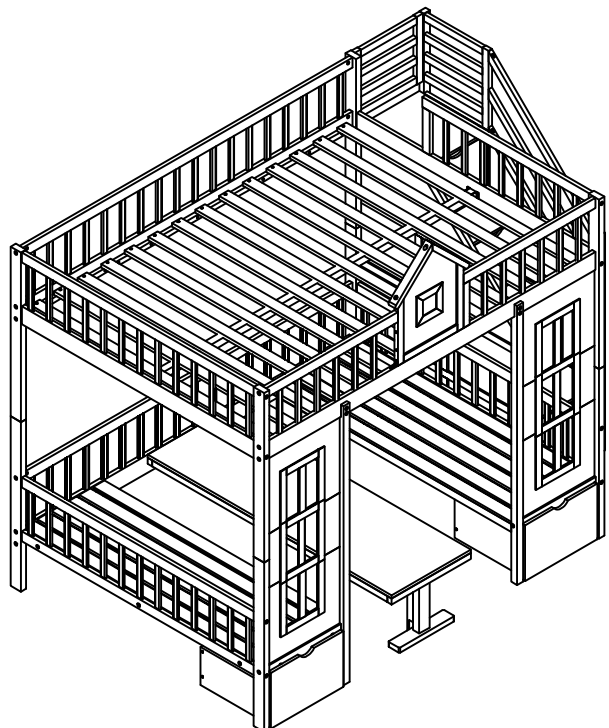
## OPTION 1:

Rise to be the top of the table.



## OPTION 2:

Lower to the bed.  
Use mattress(es) Full standard thickness 8".



FINAL:

