


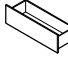
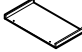
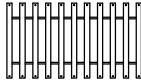
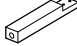
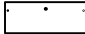
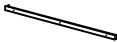








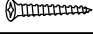
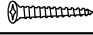


ASSEMBLY INSTRUCTION

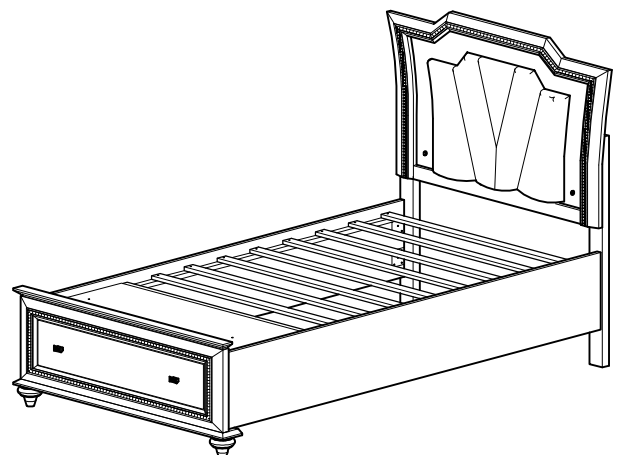
Thank you for purchasing this quality product. Be sure to check all packing material carefully for small parts which may have loose inside the carton during shipment. Separate, identify and count all parts and metal hardware. Compare with all parts list to be sure all parts are present. If any part(s) are missing or damaged, please contact your local furniture dealer. For efficient and speedy service, please indicate the model number and code letter of part(s) needed.

Do not fully tighten screw until fully assembled

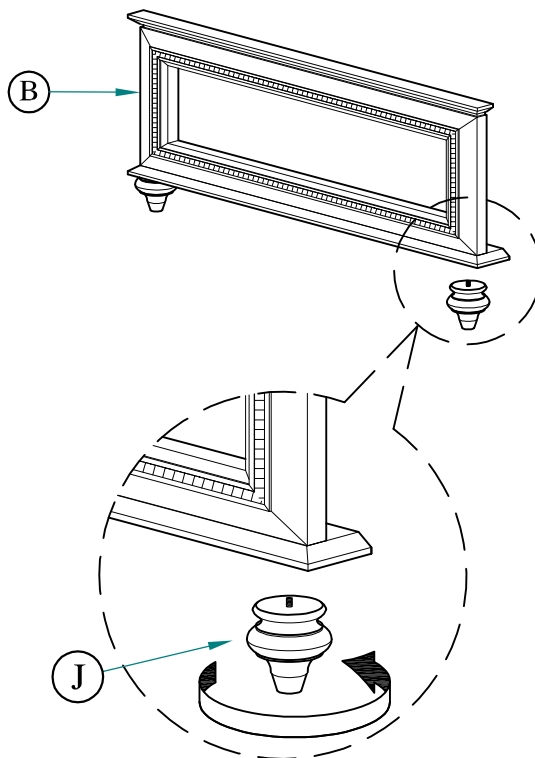
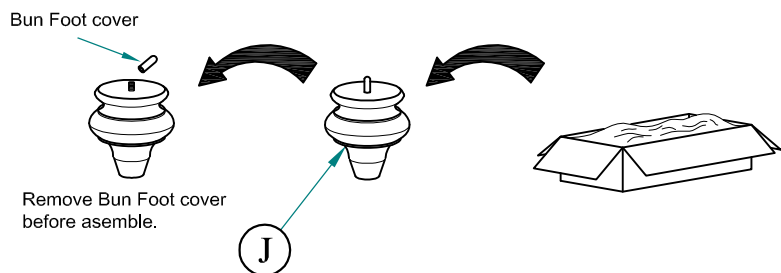
COMPONENT PARTS		
DESCRIPTION	PART NAME	Q'TY (PCS)
(A)	HEADBOARD 	1
(B)	FOOTBOARD 	1
(C)	SIDE RAIL 	2
(D)	DRAWER 	1
(E)	DRAWER BASE PANEL 	1
(F)	ROLL SLAT 	11
(G)	DRAWER SUPPORT LEG 	1
(H)	SLAT COVER PANEL 	1
(I)	DRAWER SUPPORT RAIL 	1
(J)	BUN FOOT 	2

HARDWARE REQUIRED

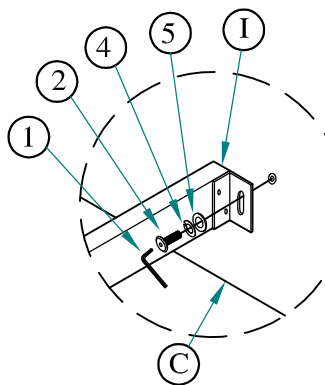
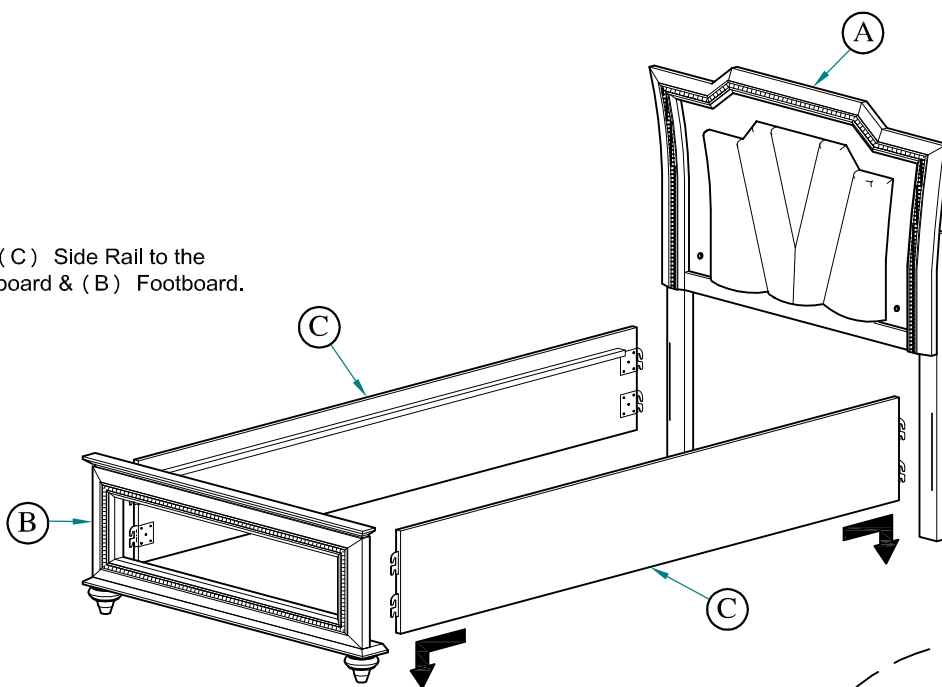
NO	NAME	PART	QTY
1	Allen key		1pc
2	JCBC 16mm		2pcs
3	JCBC 35mm		5pcs
4	M6 Spring washer		7pcs
5	M6 Flat washer		5pcs
6	Screw 32mm		22pcs
7	Screw 16mm		2pcs
8	Adjustable Leveller		1pc
9	1/4" Flat washer		2pcs



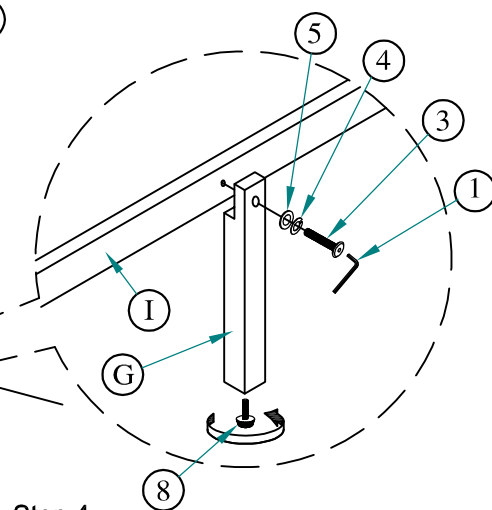
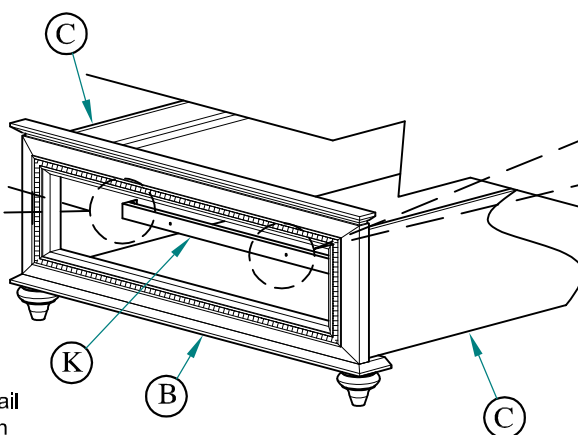
Step 1:
Secure the (J) Bun Foot to the bottom of (B) Footboard as a diagram shown.



Step 2:
Attach the (C) Side Rail to the (A) Headboard & (B) Footboard.



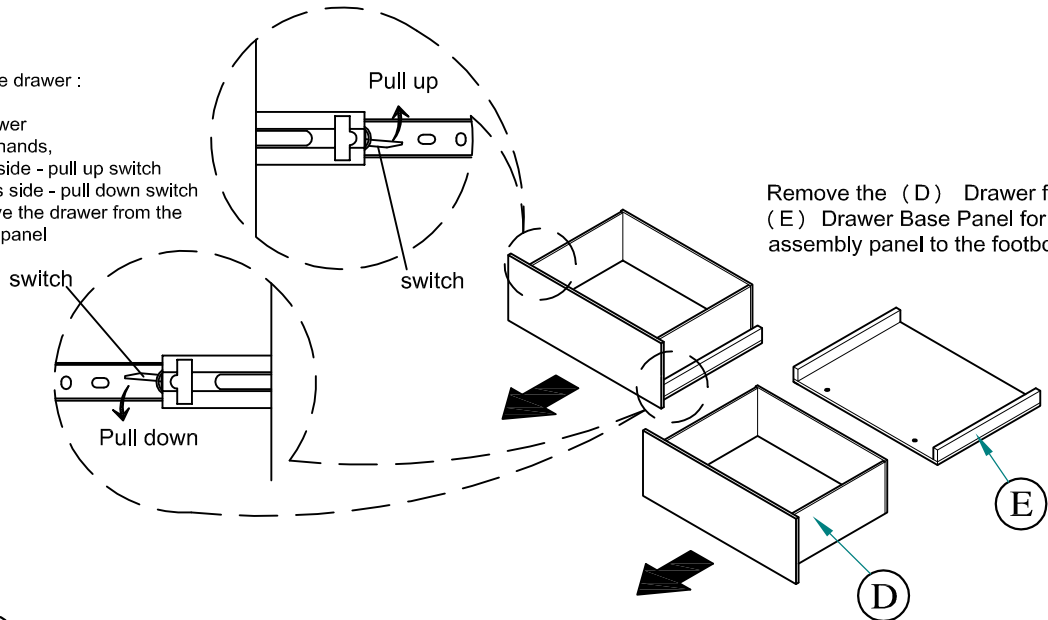
Step 3:
Attach the (I) Drawer Support Rail to the (C) Side Rail as a diagram shown tighten with (2) JCBC 16mm, (4) M6 Spring Washer & (5) M6 Flat Washer.



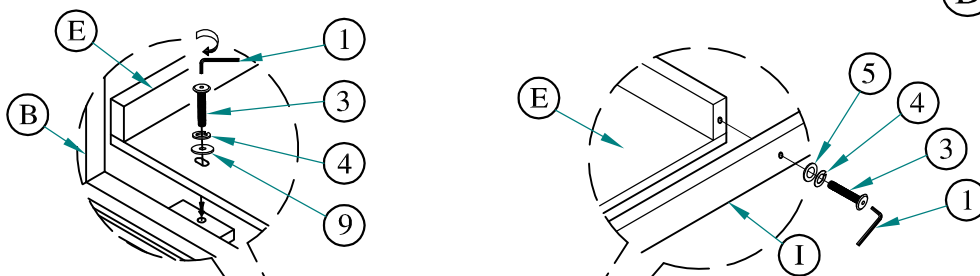
Step 4:
Attach (G) Drawer Support Leg to the (I) Drawer Support Rail using (3) JCBC 35mm, (4) M6 Spring Washer & (5) M6 Flat Washer. Attach the (8) Adjustable Leveler and adjust it to level the bed with the floor.

Step to remove the drawer :

1. Pull the drawer
2. Using both hands,
 - Left hands side - pull up switch
 - Right hands side - pull down switch
3. Then remove the drawer from the drawer base panel

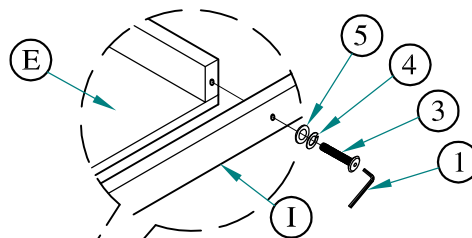


Remove the (D) Drawer from (E) Drawer Base Panel for assembly panel to the footboard.



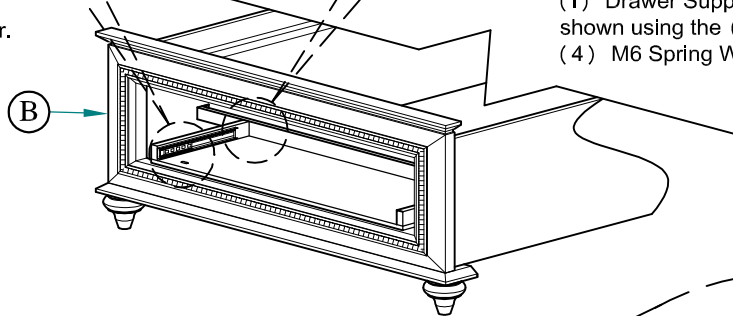
Step 5 :

Attach (E) Drawer Base Panel to the (B) Footboard as diagram shown and tighten using (3) JCBC 35mm, (4) M6 Spring Washer & (9) 1/4" Flat Washer.



Step 6 :

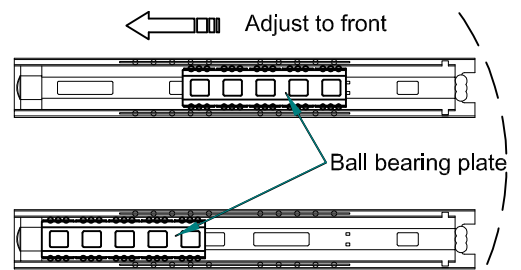
Tighten the (E) Drawer Base Panel to the (I) Drawer Support Rail Panel as diagram shown using the (3) JCBC 35mm, (4) M6 Spring Washer & (5) M6 Flat Washer.



Step to install the drawer on the drawer base panel :

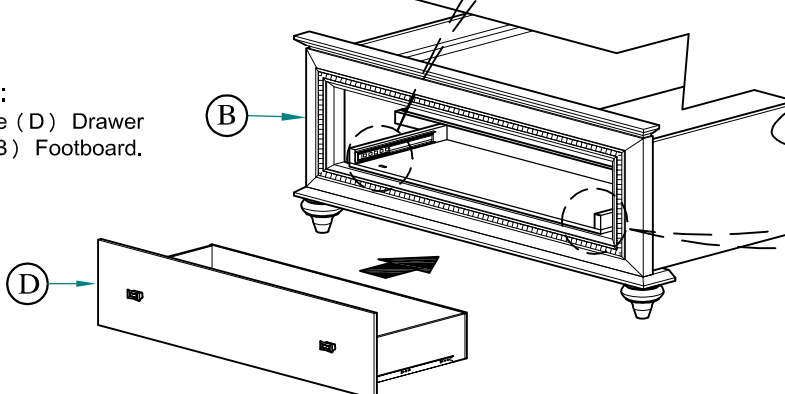
***Prefer 2 person to install the drawer

1. Adjust the ball bearing plate to the front as a diagram shows.
2. Then attach the drawer to the drawer base panel and install with carefully.

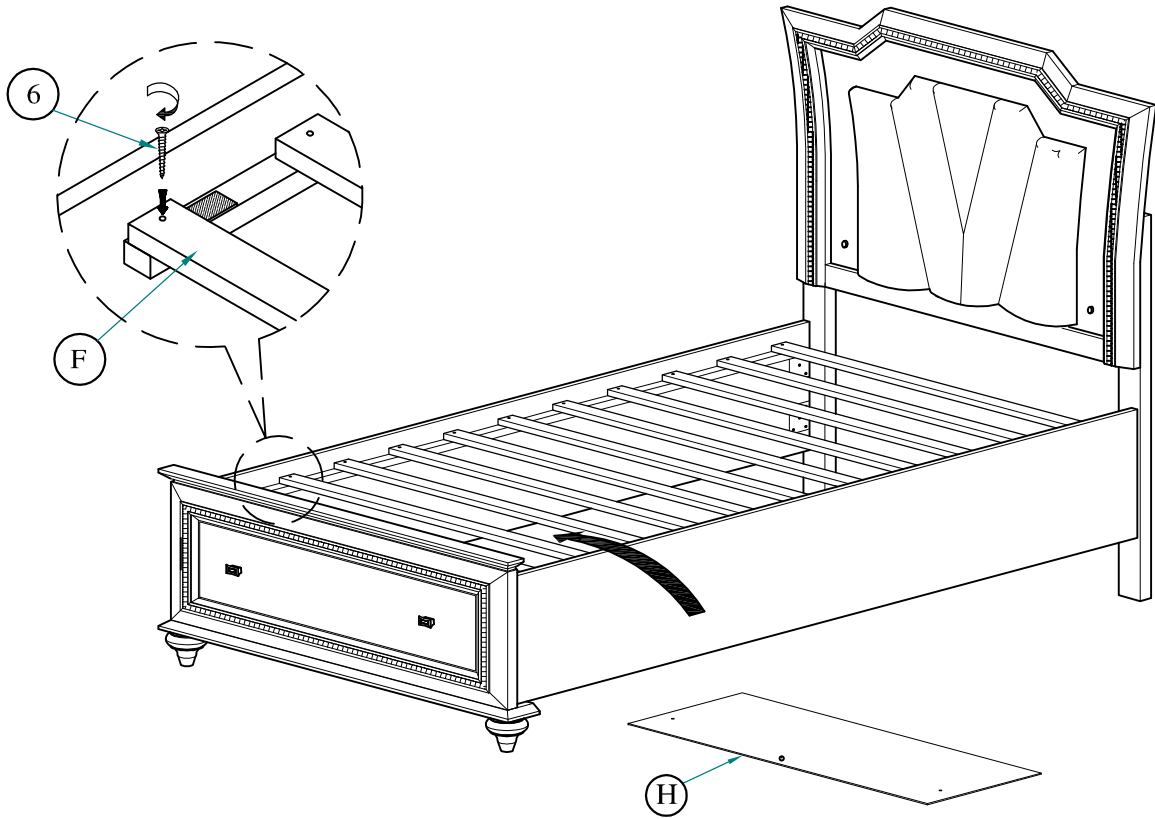


Step 7 :

Insert the (D) Drawer to the (B) Footboard.



Step 8 :
Secure the (F) Roll Slat using the
(6) Screw 32mm provided.



Step 9 :
Attach the (H) Slat Cover Panel to
the top of slat close to the footboard and
screw using the (7) Screw 16mm
provided.

