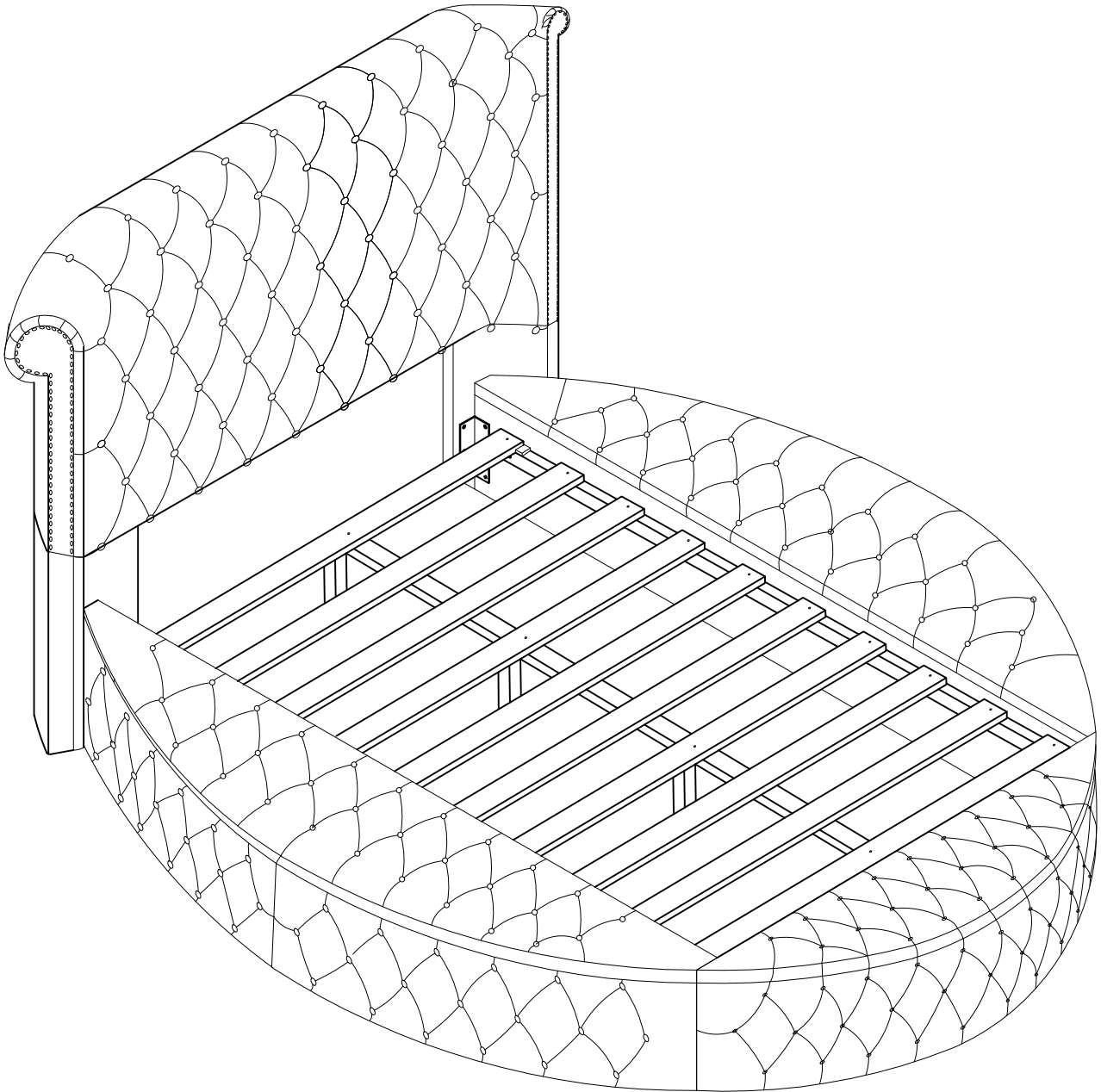
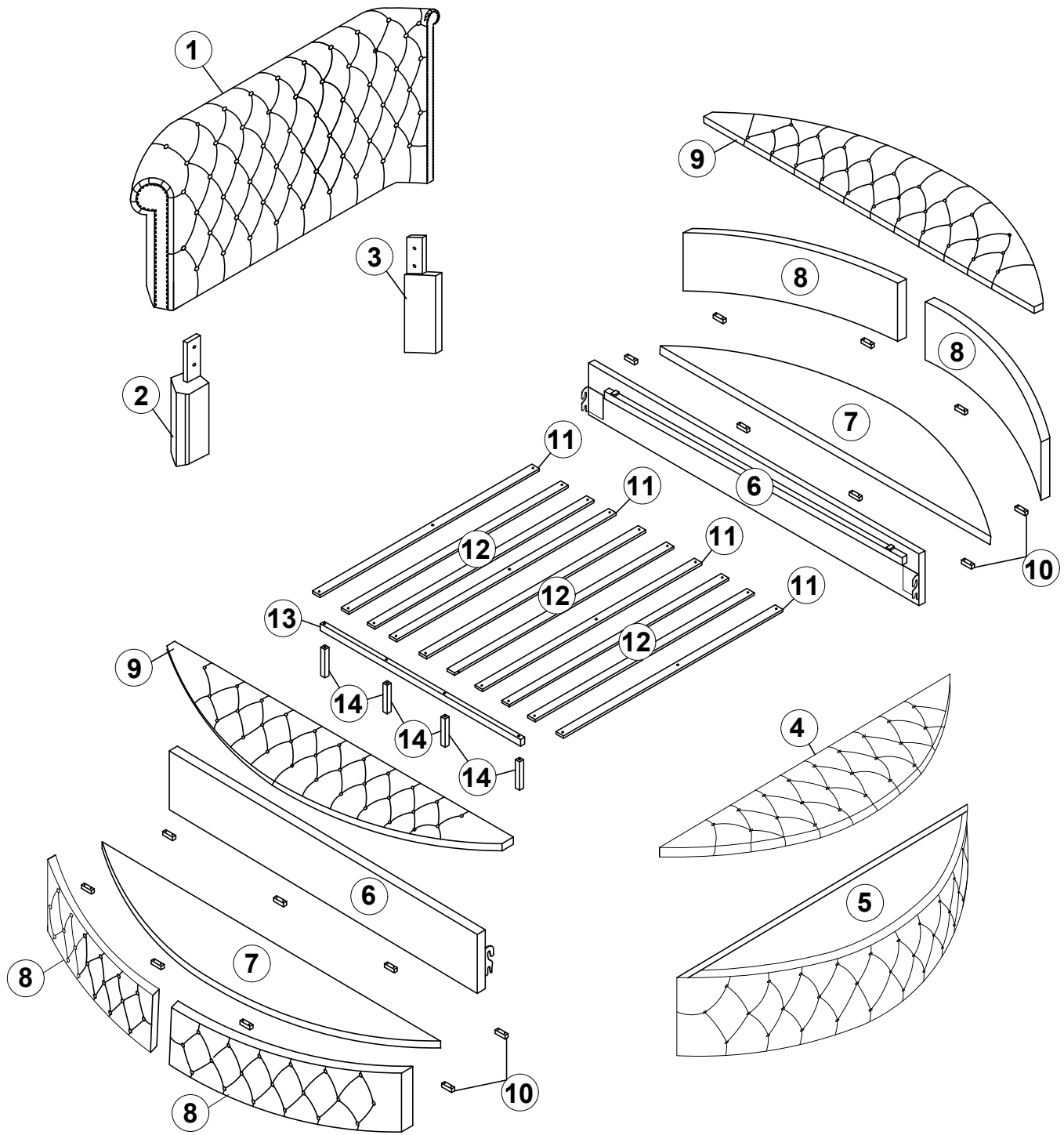


ASSEMBLY INSTRUCTIONS

UPHOLSTERY QUEEN BED

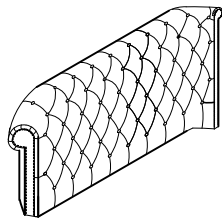


DETAIL VIEW QUEEN BED



PART LISTS:

1



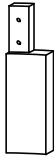
Upper headboard-1pc

2



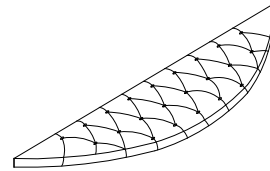
Headboard Left Leg-1pc

3



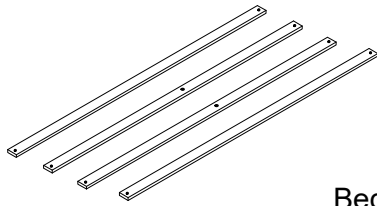
Headboard Right Leg-1pc

4



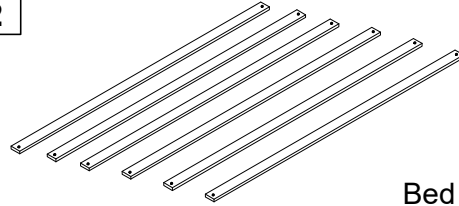
Footboard leaf panel -1pc

11



Bed slat (1)-4pcs

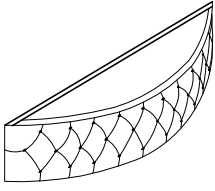
12



Bed slat (2)-6pcs

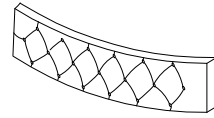
PART LISTS:

5



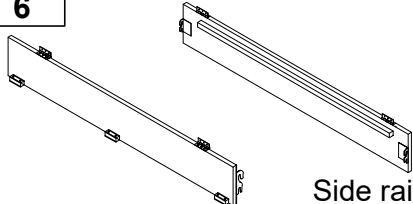

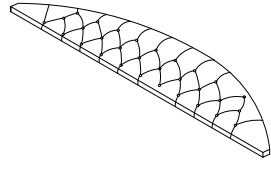
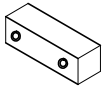

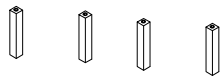
Footboard -1pc

8


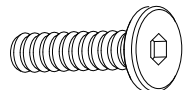
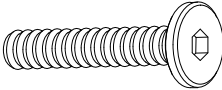
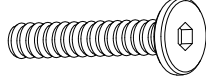
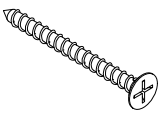

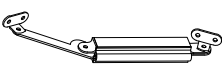
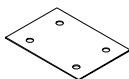




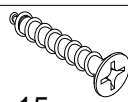
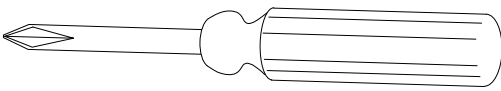


Side rail outside panel-4pcs

PART LISTS:

<p>6</p>  <p>Side rail inside panel-2pcs</p>	<p>7</p>  <p>Side rail bottom panel-2pcs</p>
<p>9</p>  <p>Side rail leaf panel-2pcs</p>	<p>10</p>  <p>Cleat -14pcs</p>
<p>13</p>  <p>Center support bar -1pc</p>	<p>10</p>  <p>Center leg -4pcs</p>

HARDWARE LISTS:

<p>A</p>  <p>4mm Allen key (1pc)</p>	<p>B</p>  <p>Ø5/16" x 20mm Hex-head bolt (8pcs)</p>
<p>C</p>  <p>Ø5/16" x 70mm Hex-head bolt (4pcs)</p>	<p>D</p>  <p>Ø1/4" x 50mm Hex-head bolt (4pcs)</p>
<p>E</p>  <p>Ø4 x 30mm Wood screw (82pcs)</p>	<p>F</p>  <p>Ø4 x 20mm Wood screw (16pcs)</p>
<p>G</p>  <p>Safety hinges (6pcs)</p>	<p>H</p>  <p>Metal bracket (4pcs)</p>
<p>I</p>  <p>Ø5/16" Spring washer (12pcs)</p>	<p>J</p>  <p>Ø5/16" Flat washer(12pcs)</p>
<p>K</p>  <p>Ø1/4" Spring washer (4pcs)</p>	<p>L</p>  <p>Ø1/4" Flat washer(4pcs)</p>
<p>M</p>  <p>Ø4 x 15mm Wood screw (24pcs)</p>	 <p>Assembly required (not included)</p>



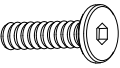
Read this instruction carefully. See hardware and furniture part list for guidance. Be sure all parts are complete, before you assemble. Place all wooden furniture parts on a clean and flat soft surface to prevent from being scratched. Follow the figure to start assembling.

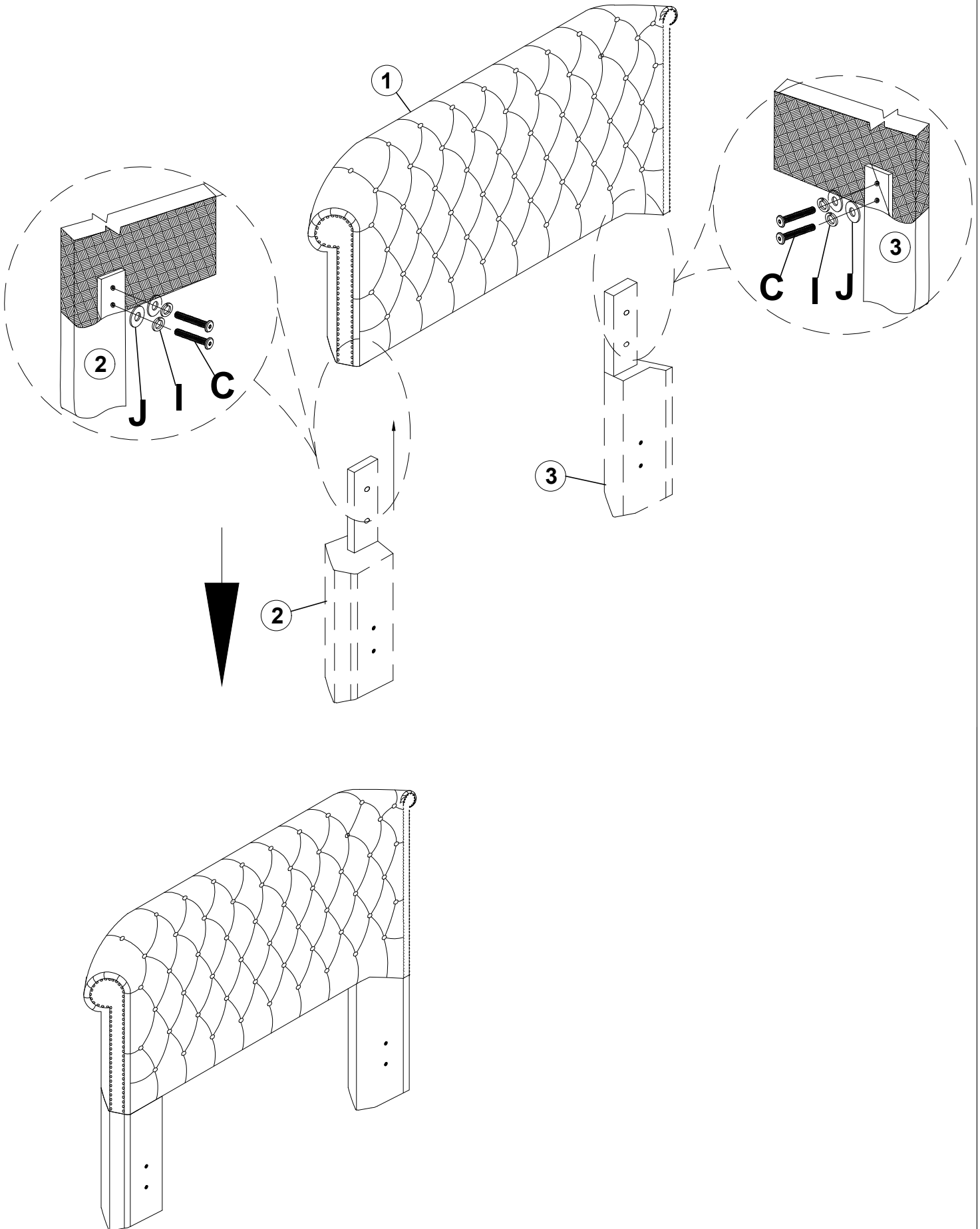
CAUTIONS :

1. Do not FULLY - TIGHTEN the nut or nut bolt until all nut or bolt is ready assembled.
2. Do not OVER - TIGHTEN the nut or bolt to avoid causing damages to the thread.
3. Keep all hardware parts out of reach of children.


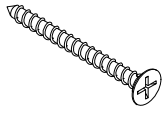
NOTE : THE LIST AND QUANTITY SHOWN ARE FOR 1 UNIT ASSEMBLY.

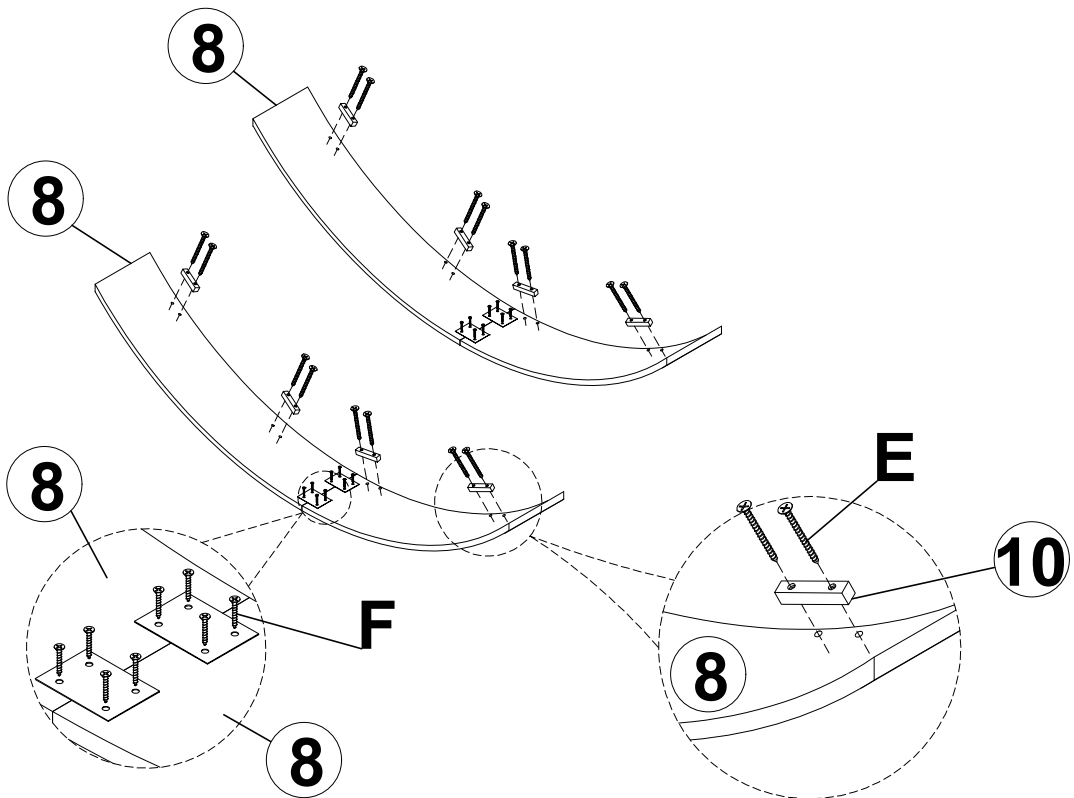
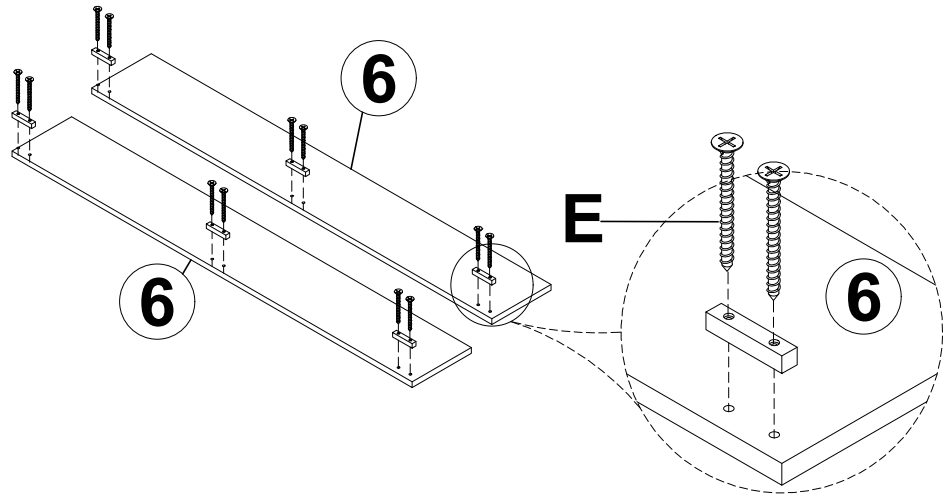
STEP 1

I		J		C	
4PCS		4PCS		4PCS	



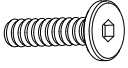


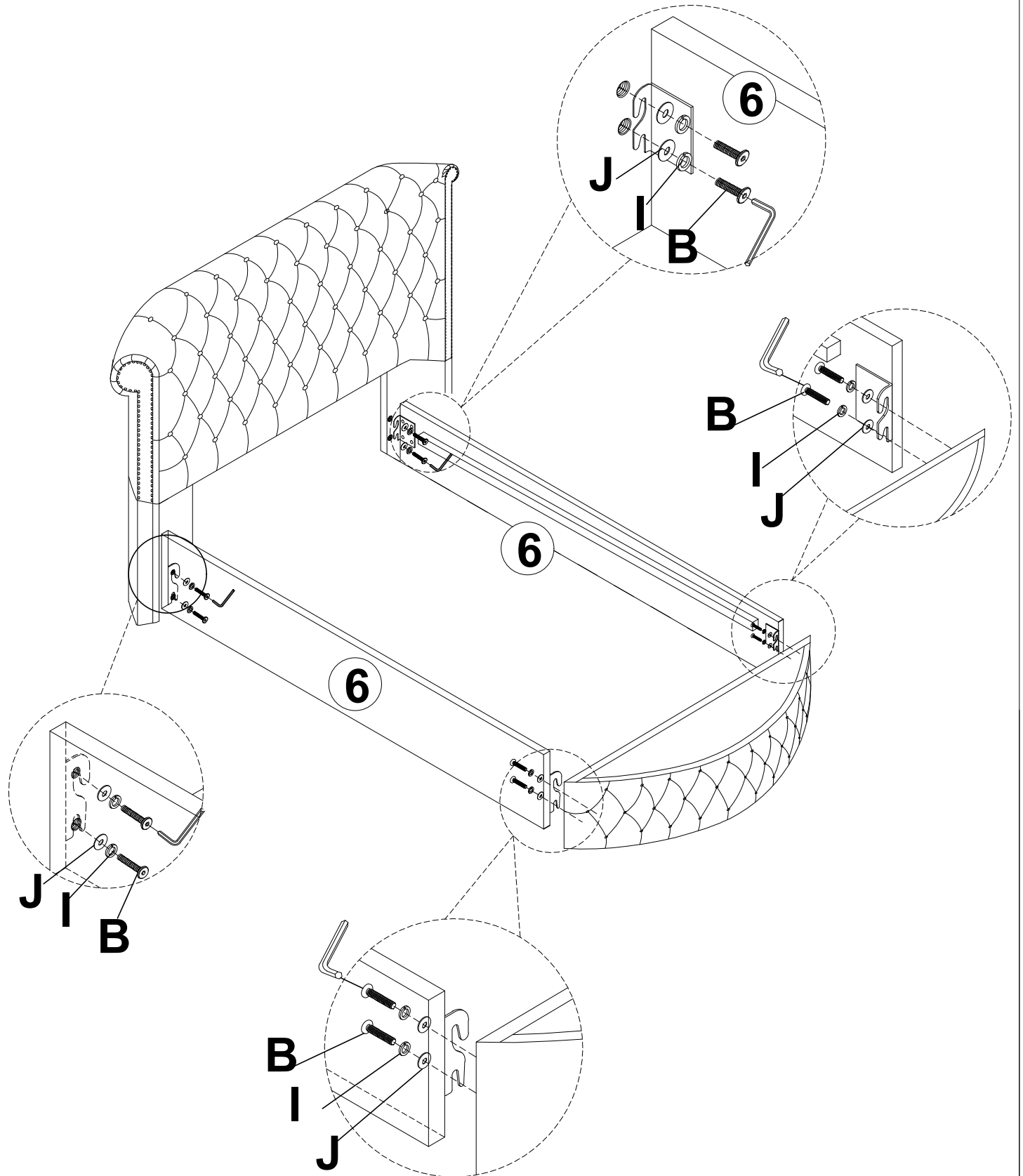
STEP 2

F		E	
16PCS		28PCS	

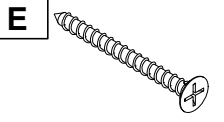


STEP 3

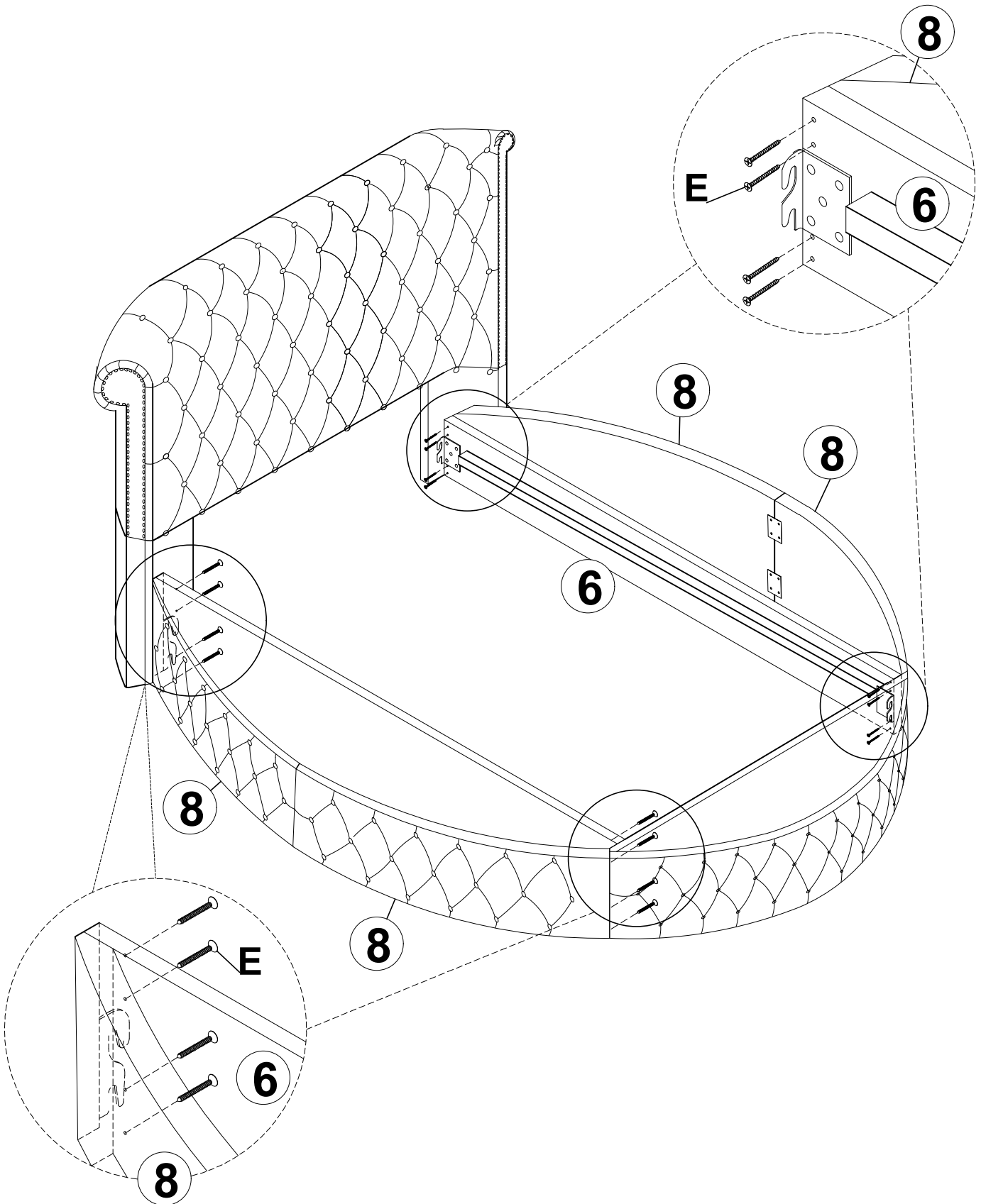
I		J		B	
8PCS		8PCS		8PCS	



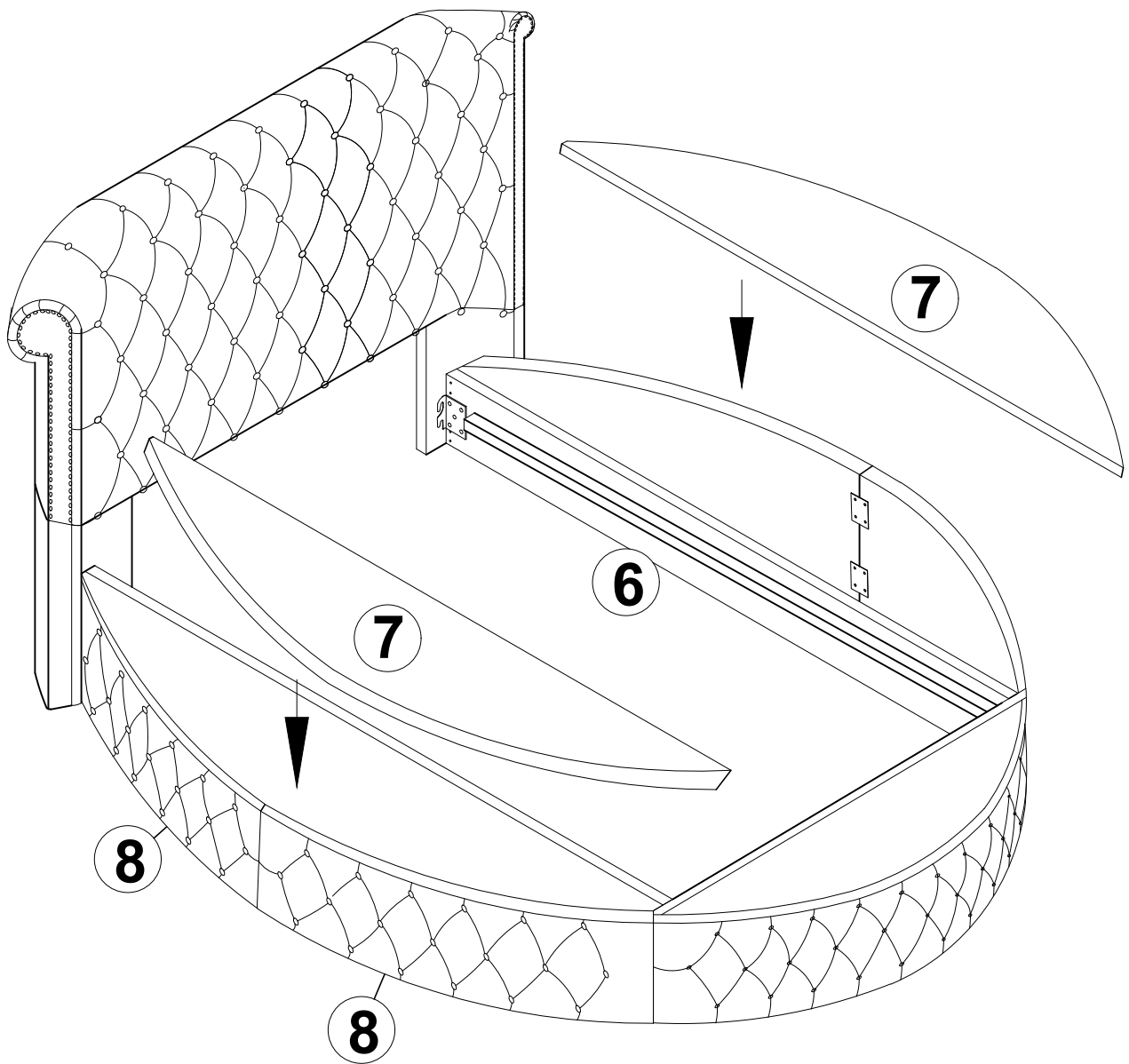
STEP 4




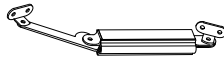

16PCS

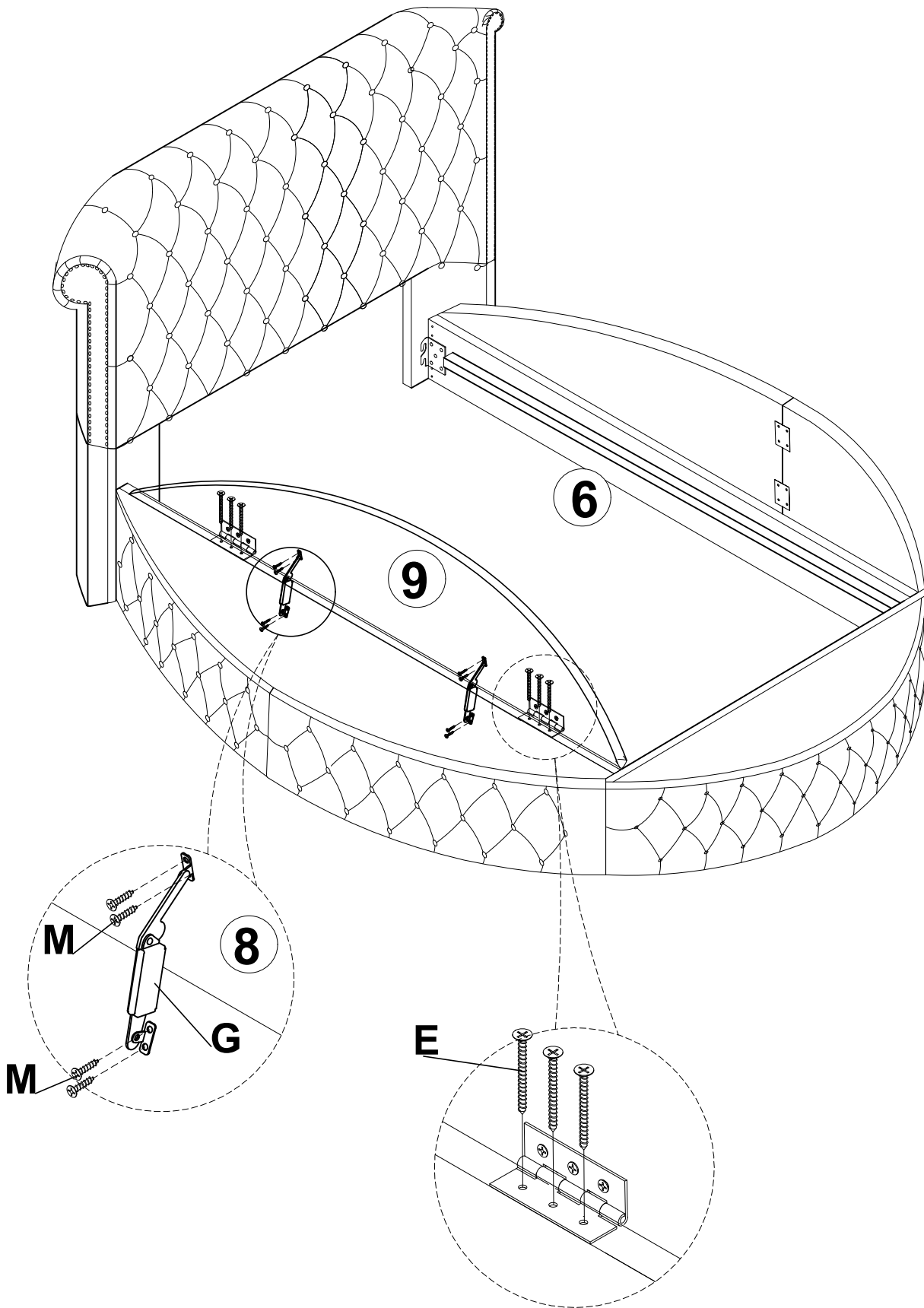


STEP 5


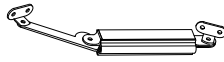



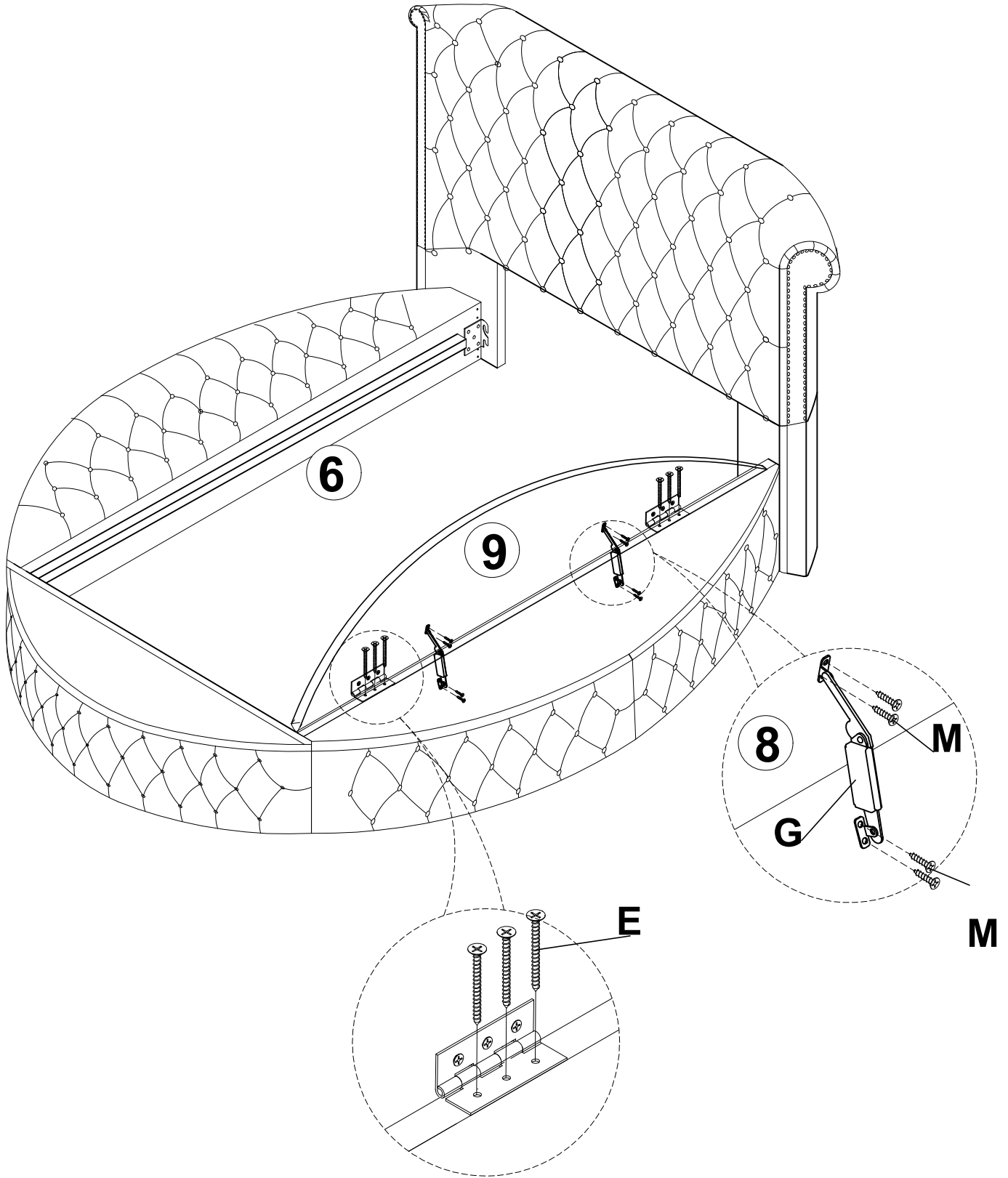
STEP 6

M		G		E	
8PCS		2PCS		6PCS	


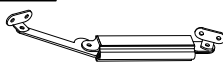
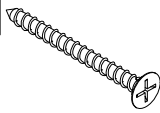


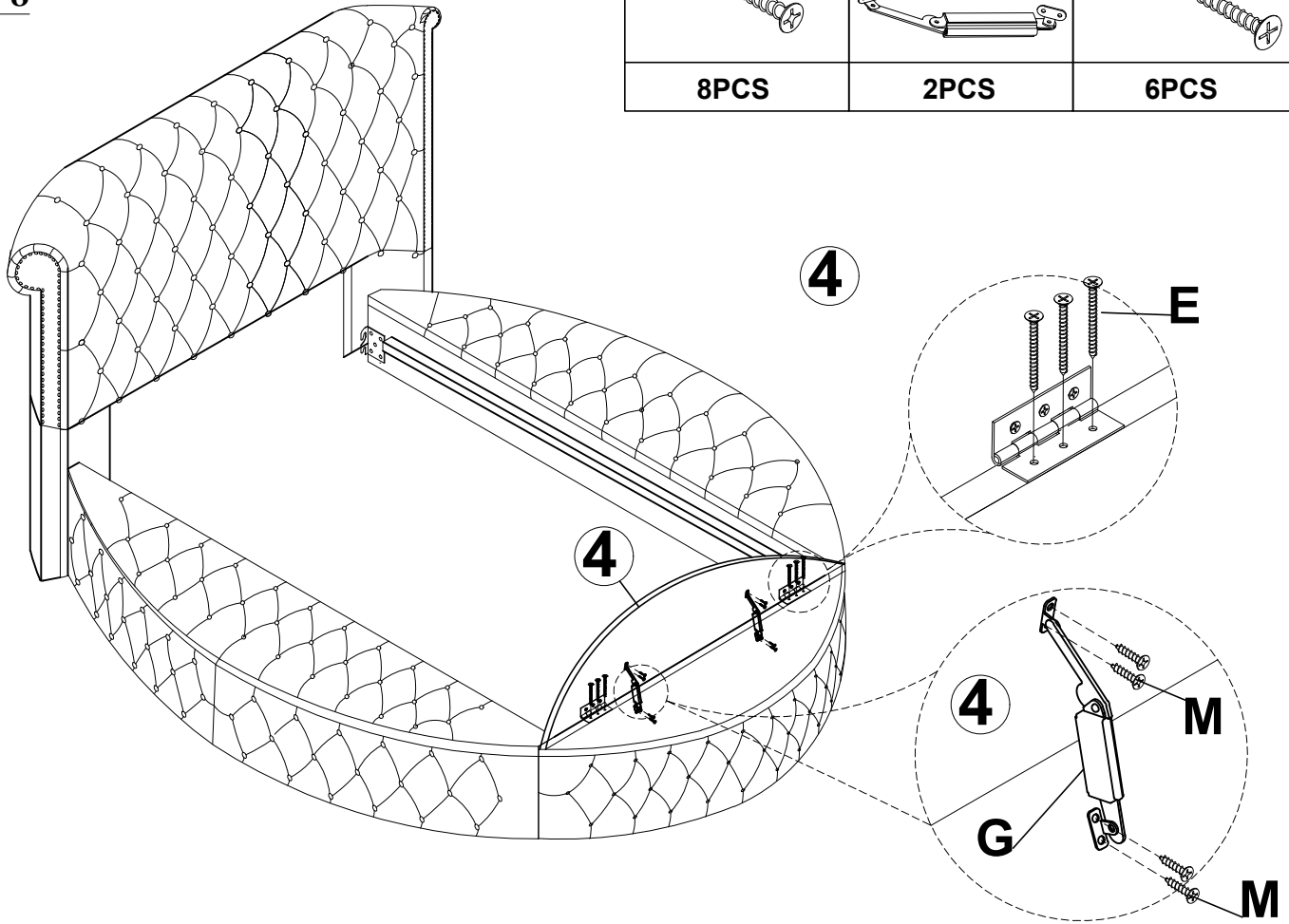
STEP 7

M 	G 	E 
8PCS	2PCS	6PCS



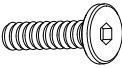


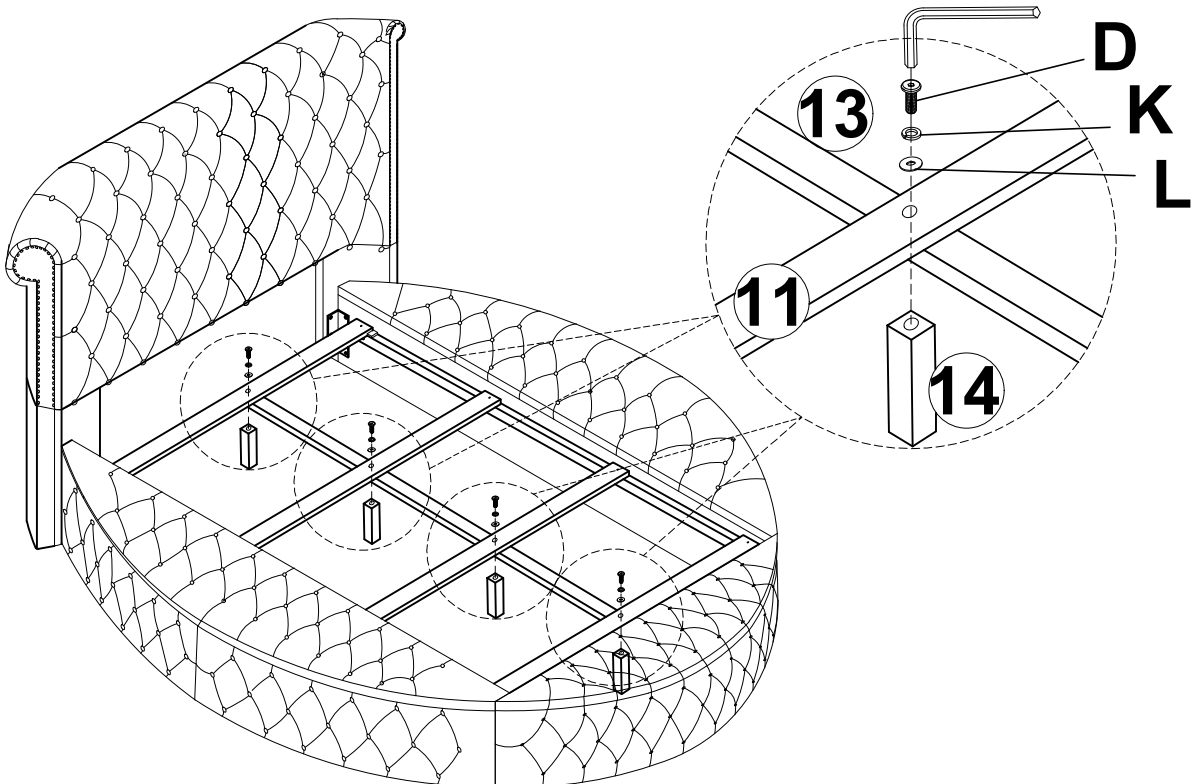
STEP 8

M		G		E	
8PCS		2PCS		6PCS	



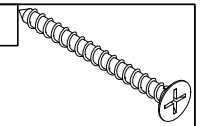
STEP 9

K		L		D	
4PCS		4PCS		4PCS	



STEP 10

E



20PCS

