







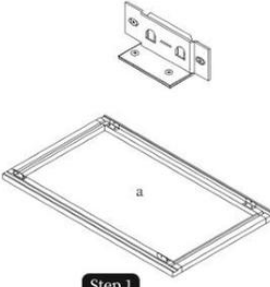
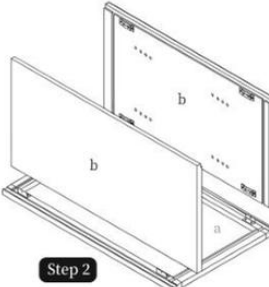
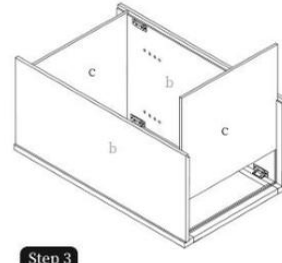
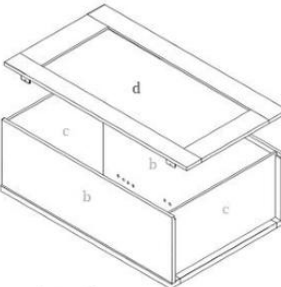
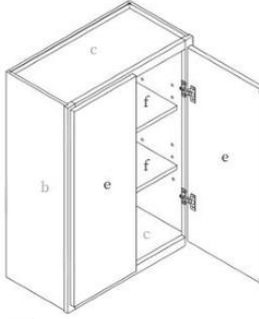
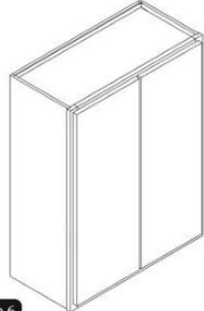


Double doors wall-mounted assembly Instruction [Item:W(24-27)(30-36)(12-15)]

| Hardware List | | | 1 | 8 PCS | φ4*16mm | 2 | 4 PCS | φ4*20mm | 3 | 4 PCS | 1-1/4 | 4 | 4 PCS | KC-A03 | 5 | 8 PCS | / | |
|----------------------|------------------|---|---|-------|---------|---|-------|---------|---|--------|-----------|---|-------|--------|---|-------|---|--|
| | | | Hinge screw | | | Large flat head hinge screw | | | DTC soft-closing hinge | | | Transparent self-adhesive rubber bumper | | | Shelf supporter (Bent Part) | | | |
| | | |  | | |  | | |  | | |  | | |  | | | |
| ASSEMBLE INSTUCTIONS | | | 6 | 8 PCS | 180° | 7 | 8 PCS | 90° | 8 | 42 PCS | φ3.5*14mm | | | | | | | |
| | | | Bracket(Bow shape) | | | Bracket (L-shaped) | | | Bracket Screw | | | | | | | | | |
| | | |  | | |  | | |  | | | | | | | | | |
| Description | | |    | | | | | | | | | | | | | | | |
| | | |    | | | | | | | | | | | | | | | |
| a | FACE FRAME | 1 | | | | | | | | | | | | | | | | |
| b | SIDE PANEL | 2 | | | | | | | | | | | | | | | | |
| c | TOP&BOTTOM PANEL | 2 | | | | | | | | | | | | | | | | |
| d | BACK PANEL | 1 | | | | | | | | | | | | | | | | |
| e | DOOR | 2 | | | | | | | | | | | | | | | | |
| f | SHELF | 2 | | | | | | | | | | | | | | | | |

 SCAN QR CODE
 INSTALL VIDEO

