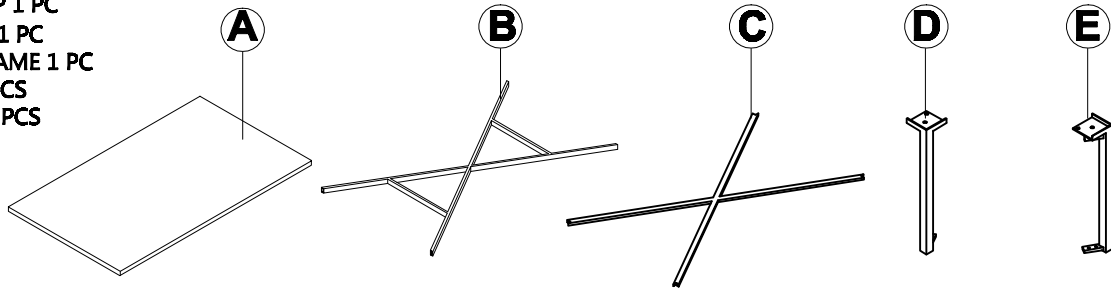


COFFEE TABLE ASSEMBLY INSTRUCTIONS

PARTS PACKING CONFIGURATIONS

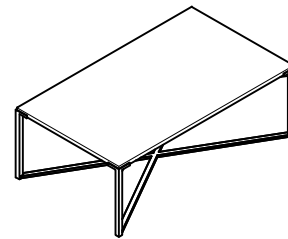
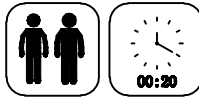
- A. MARBLE TOP 1 PC
- B. TOP FRAME 1 PC
- C. BOTTOM FRAME 1 PC
- D. LEFT LEG 2 PCS
- E. RIGHT LEG 2 PCS



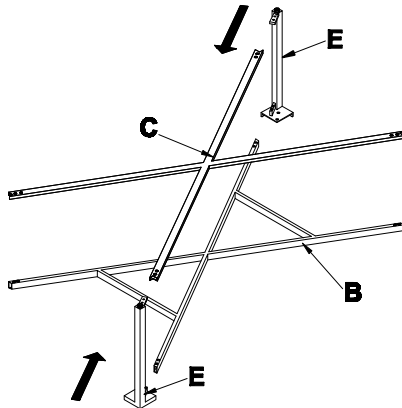
HARDWARE ENCLOSED IN CARTON

No	Description	Photo	Quantity
1	ALLEN BOLT (1/4x10mm)		16 PCS
2	ALLEN BOLT (1/4x3/4)		8 PCS
3	LOCK WASHER (1/4)		8 PCS
4	FLAT WASHER (1/4)		8 PCS
5	ALLEN KEY		1 PC

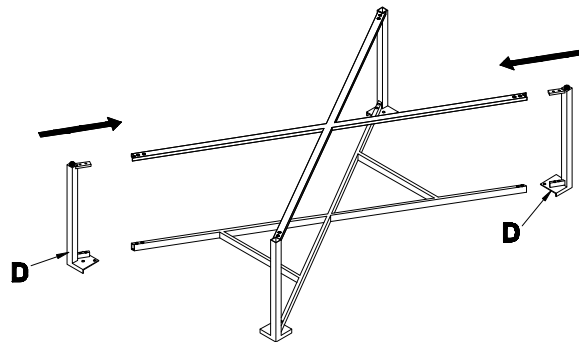
COFFEE TABLE FULLY ASSEMBLED



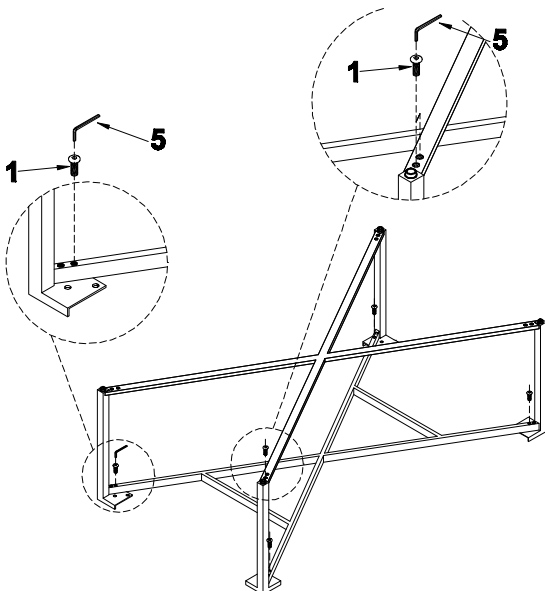
STEP 1:



STEP 2:

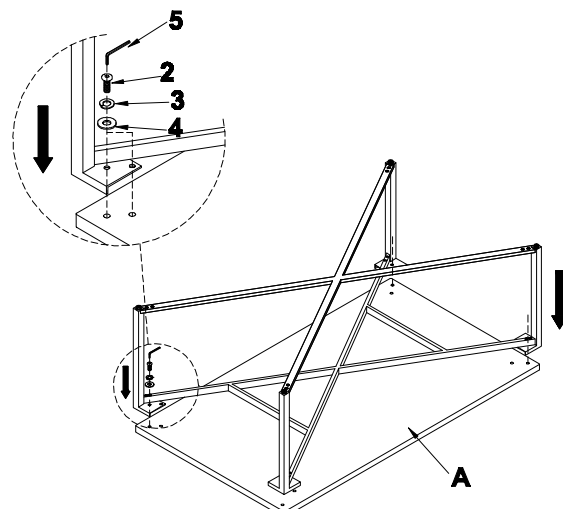


STEP 3:



STEP 4:

BEFORE ATTACHING BASE TO TOP, ENSURE MARBLE TOP IS PLACED ON A CLEAN, FLAT SURFACE FREE OF DEBRIS TO PREVENT SCRATCHES



FULLY ASSEMBLED