

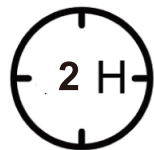
delivered in  
2 separate boxes



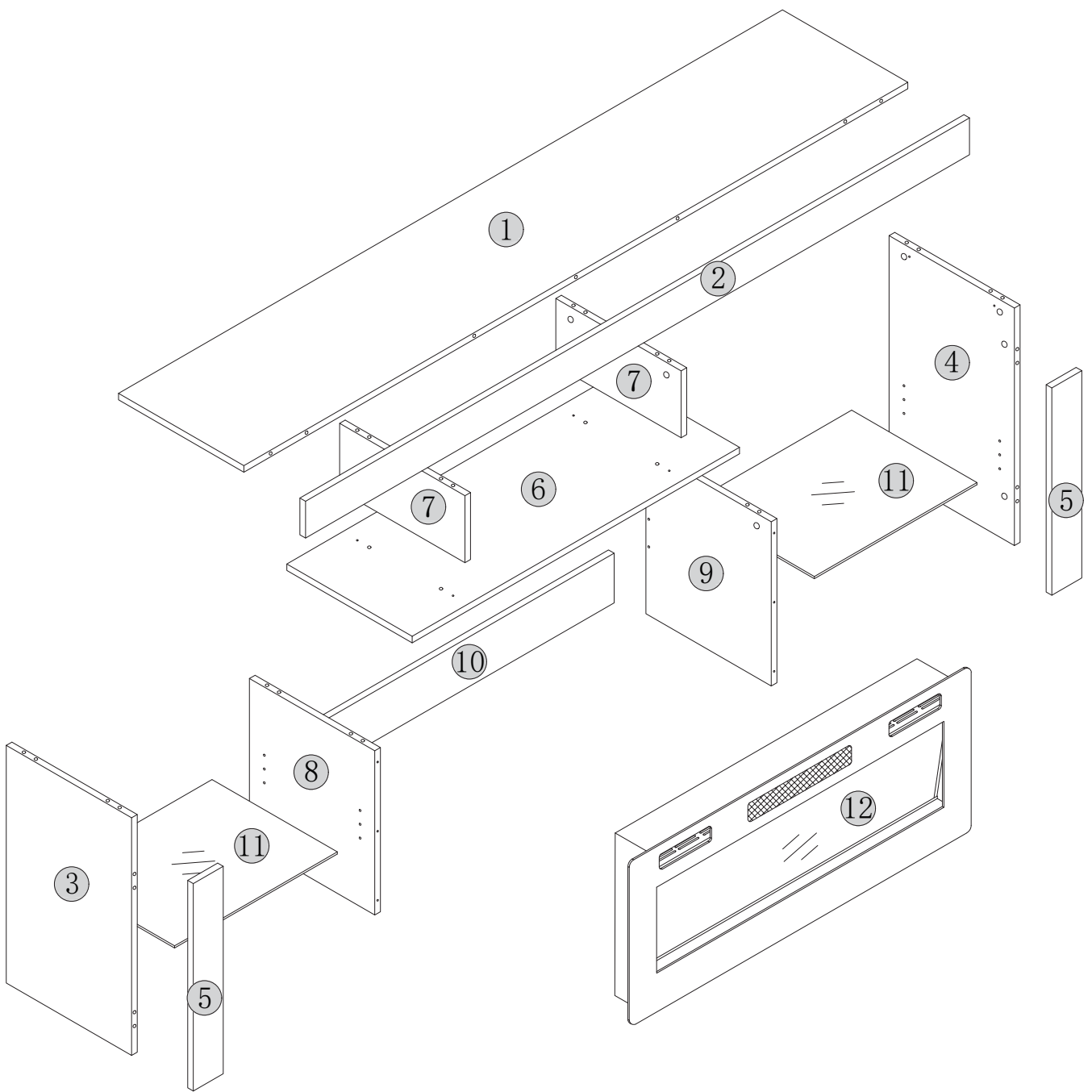
2 person



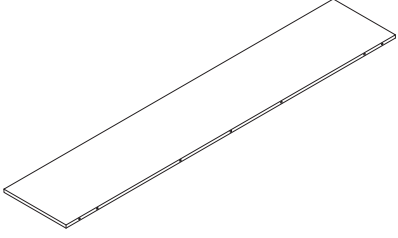
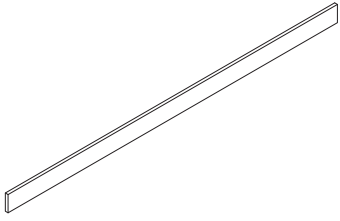
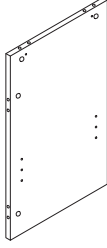
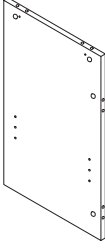

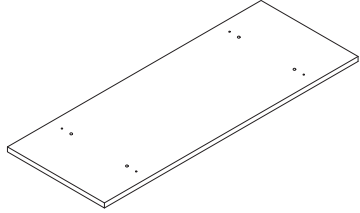
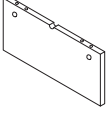
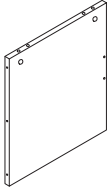
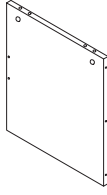
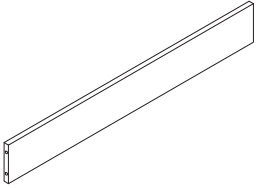
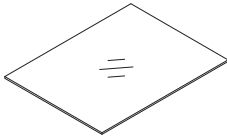
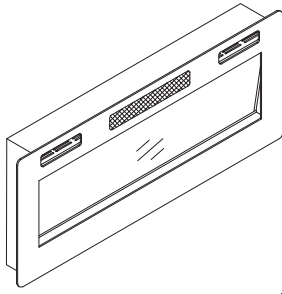
tools require



2 hours need



**CAUTION:**When tightening the screws,tighten sequentially.Do not tighten any screws fully and then towards the next one.When every part is OK, then tighten all the screws.

<p>①</p>  <p>1PC</p>	<p>②</p>  <p>1PC</p>	<p>③</p>  <p>1PC</p>
<p>④</p>  <p>1PC</p>	<p>⑤</p>  <p>2PCS</p>	<p>⑥</p>  <p>1PC</p>
<p>⑦</p>  <p>2PCS</p>	<p>⑧</p>  <p>1PC</p>	<p>⑨</p>  <p>1PC</p>
<p>⑩</p>  <p>1PC</p>	<p>⑪</p>  <p>2PCS</p>	<p>⑫</p>  <p>1PC</p>

If there are any missing parts , please contact us and we will send you the corresponding replacement part.We also offer an exclusive one-month service where provide product replacement parts , as long as the damage is not caused by human error.

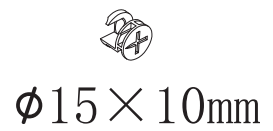
A × 24



B × 23



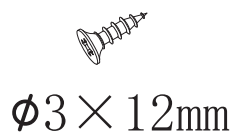
C × 24



D × 4



E × 8



F × 4



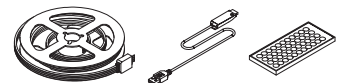
G × 8



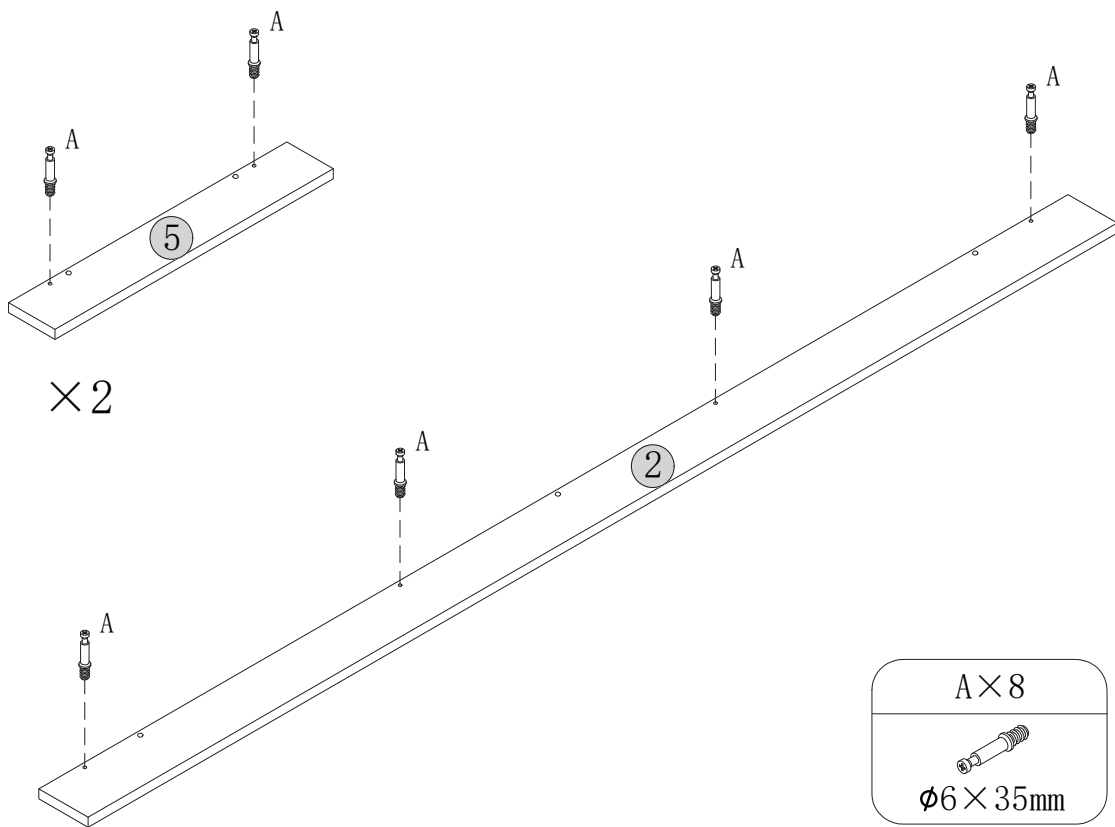
H × 6



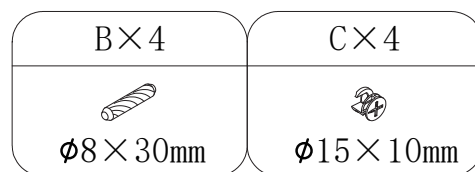
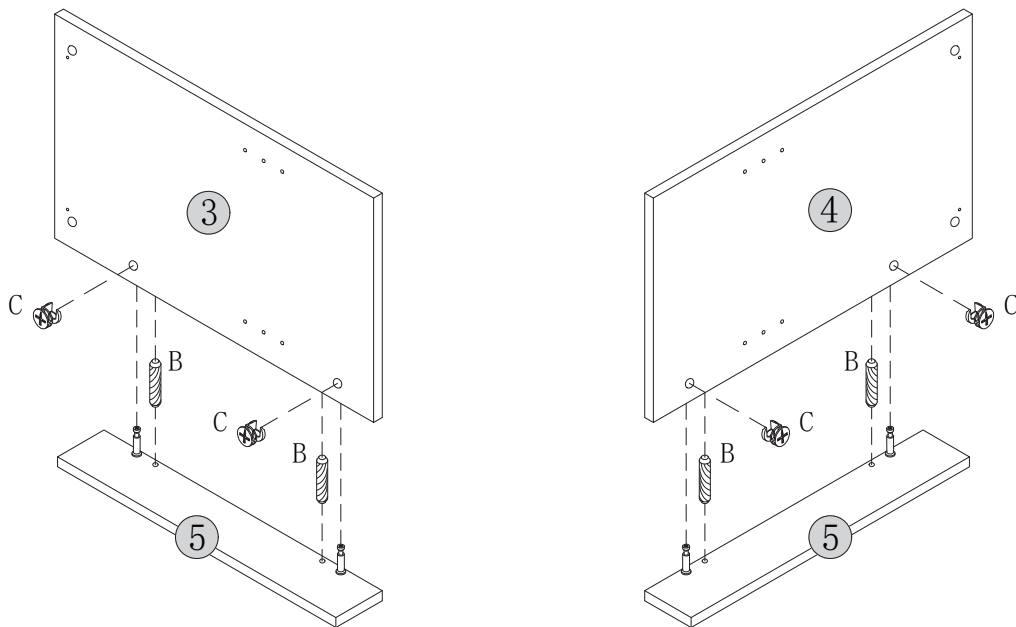
I × 1



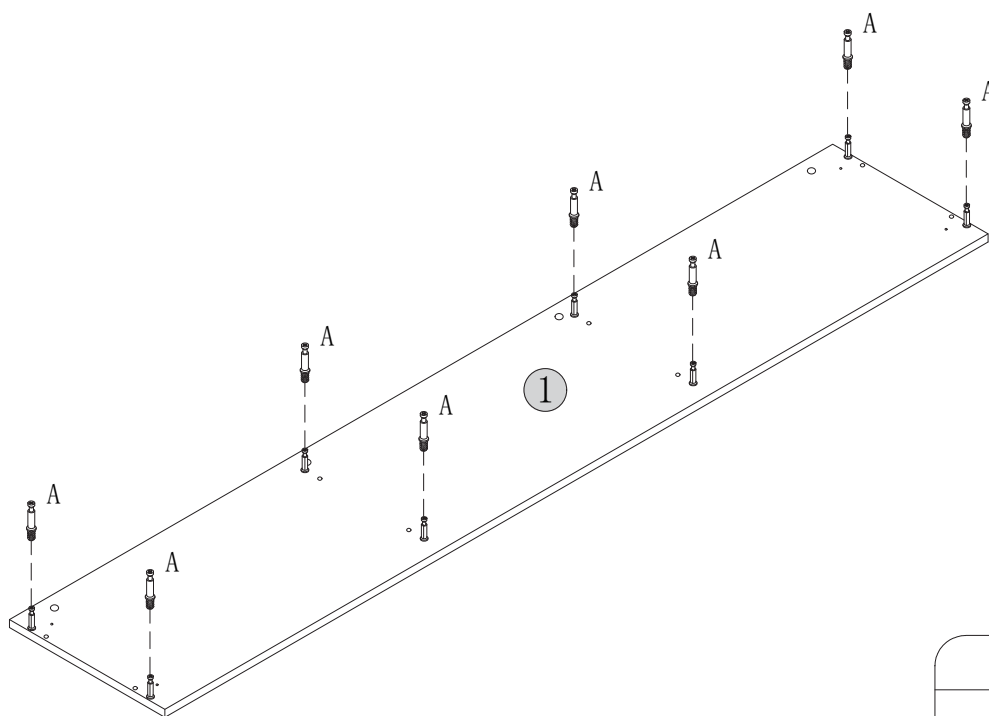
1




2

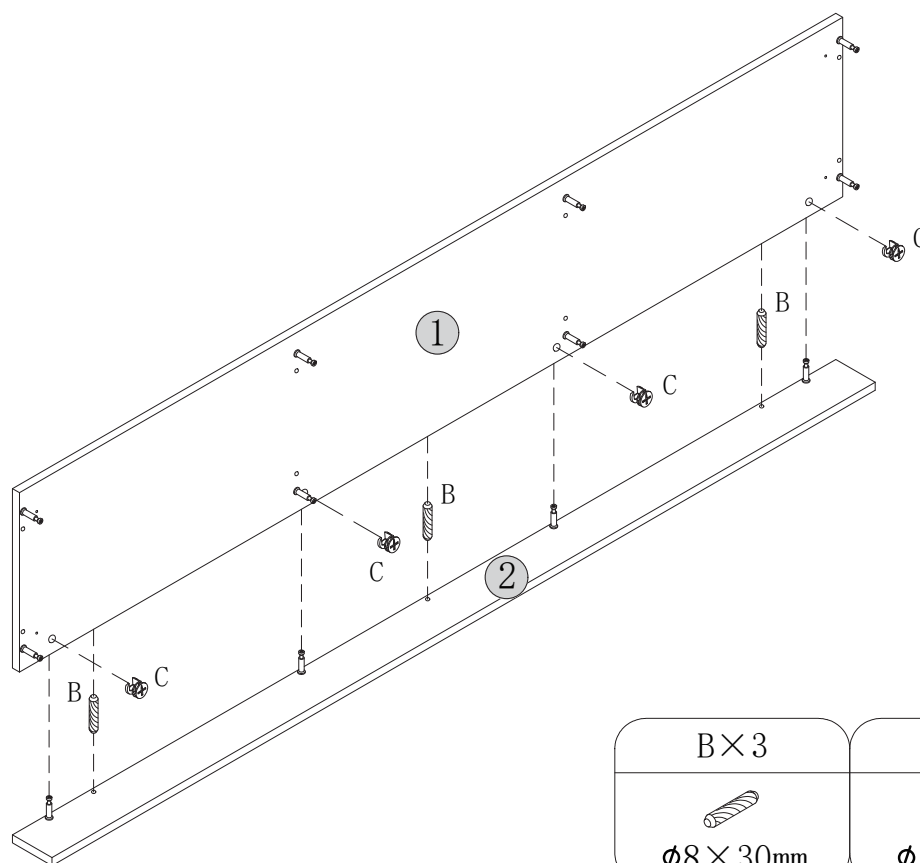




3



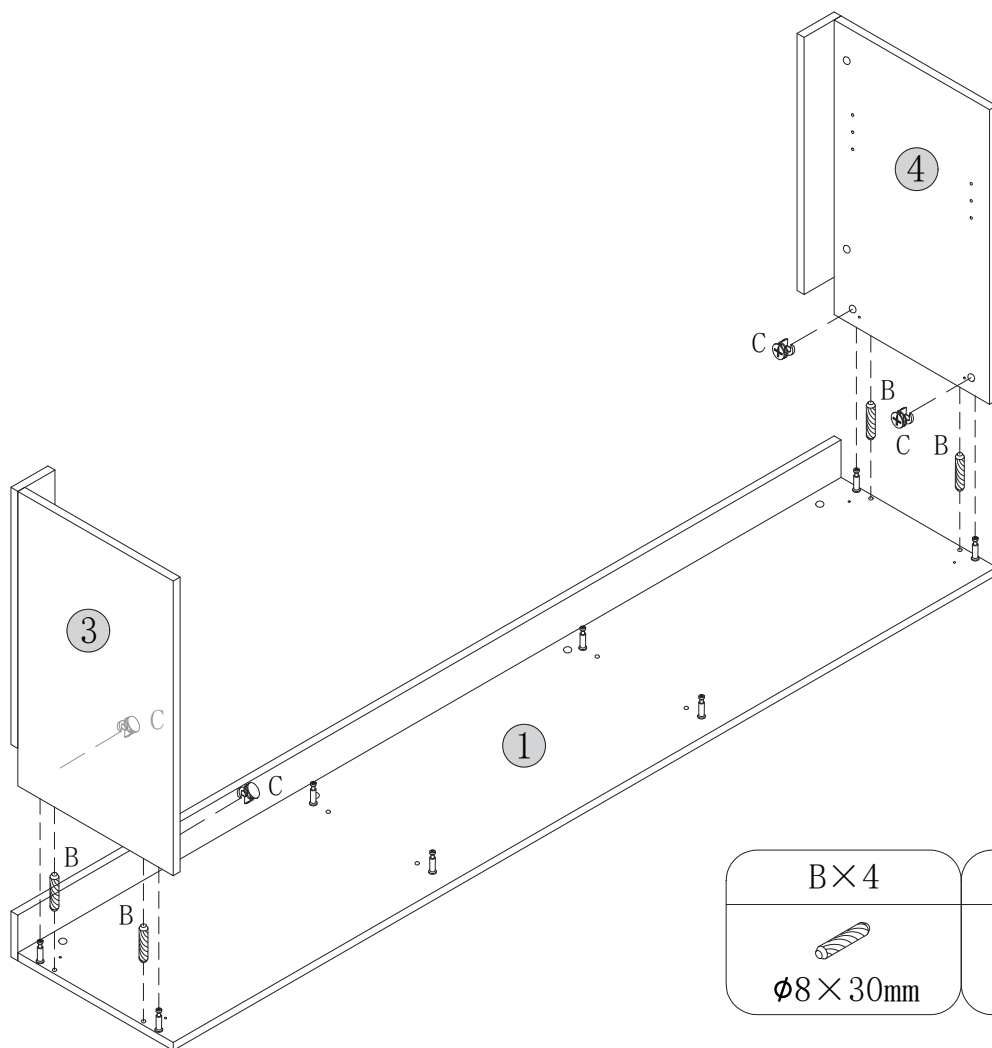
A × 8

Φ6 × 35mm



4



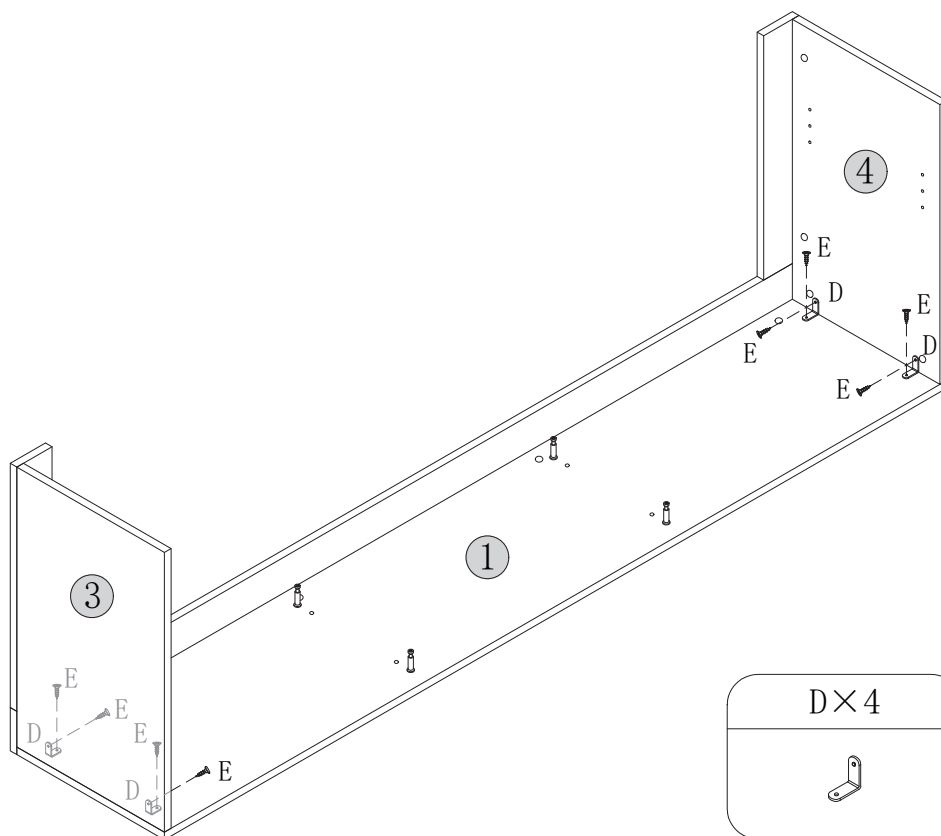
B × 3	C × 4
	
Φ8 × 30mm	Φ15 × 10mm



5



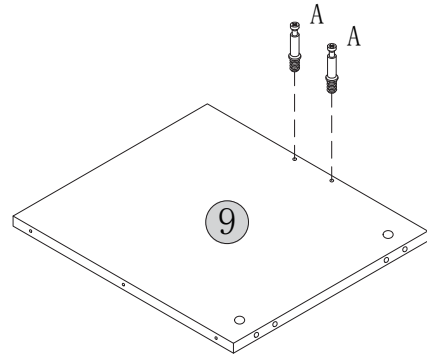
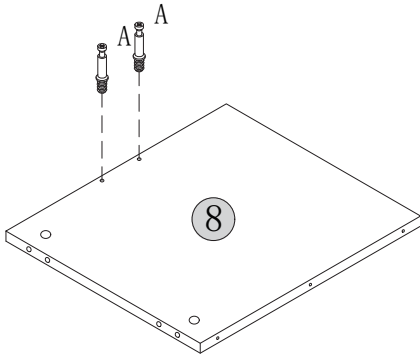
B × 4	C × 4
	
Φ8 × 30mm	Φ15 × 10mm

6




D × 4	E × 8
	
	Φ3 × 12mm

7

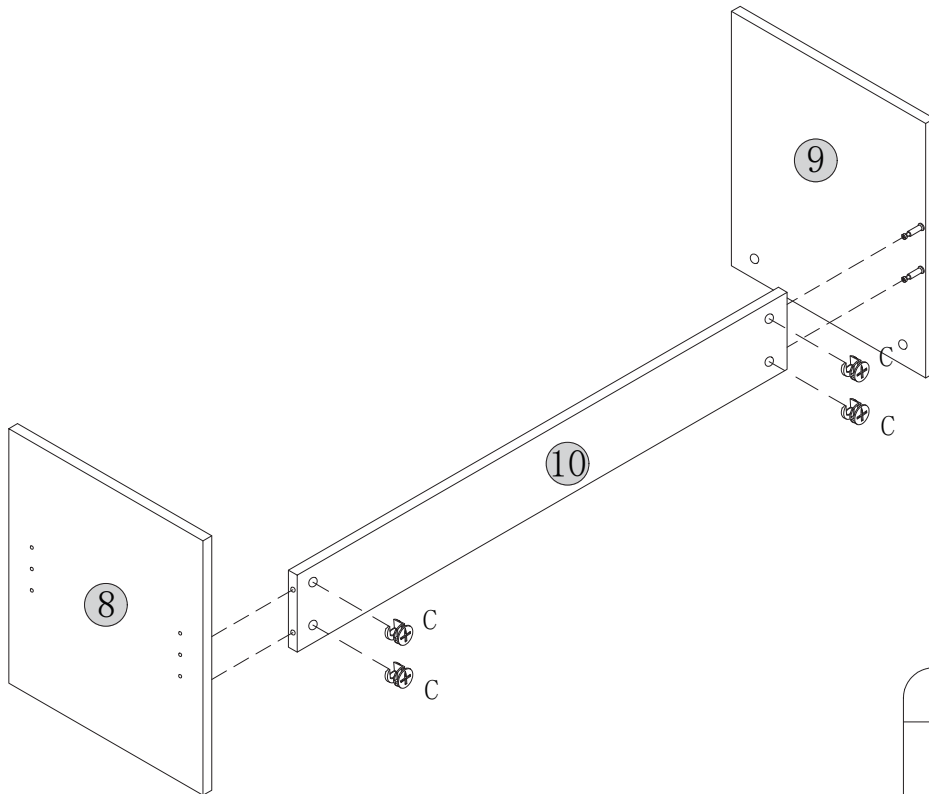


A×4




Φ6×35mm

8

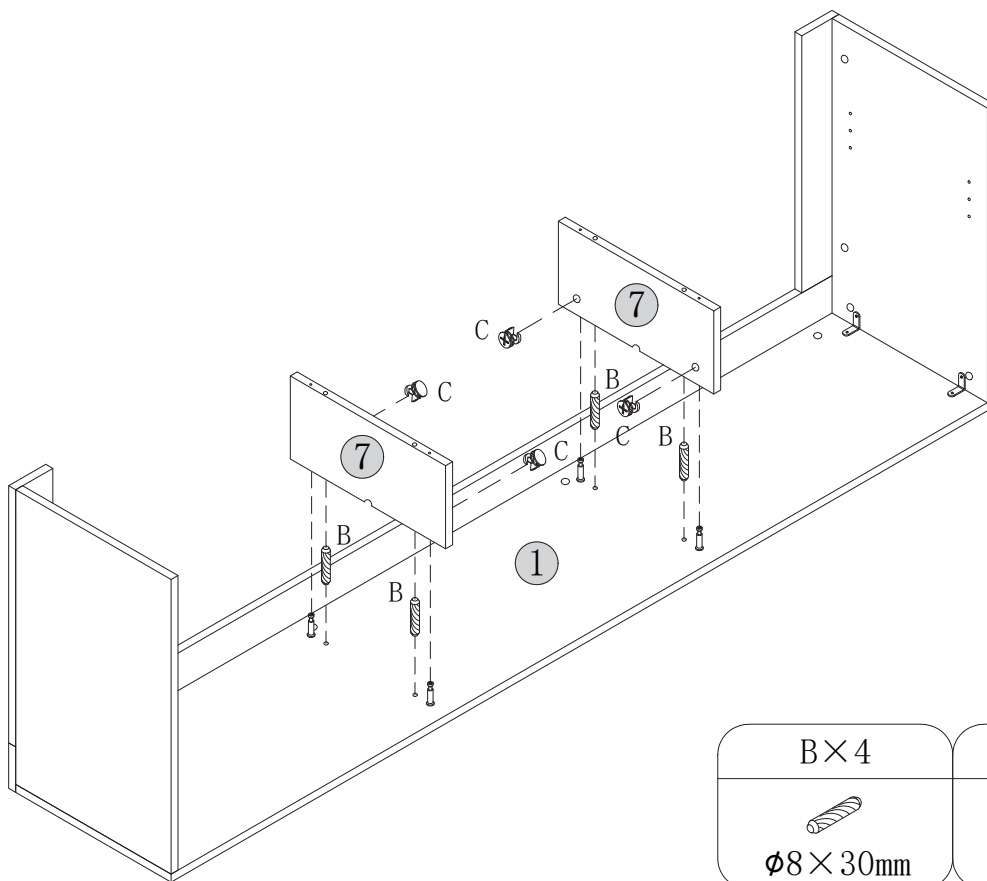


C×4

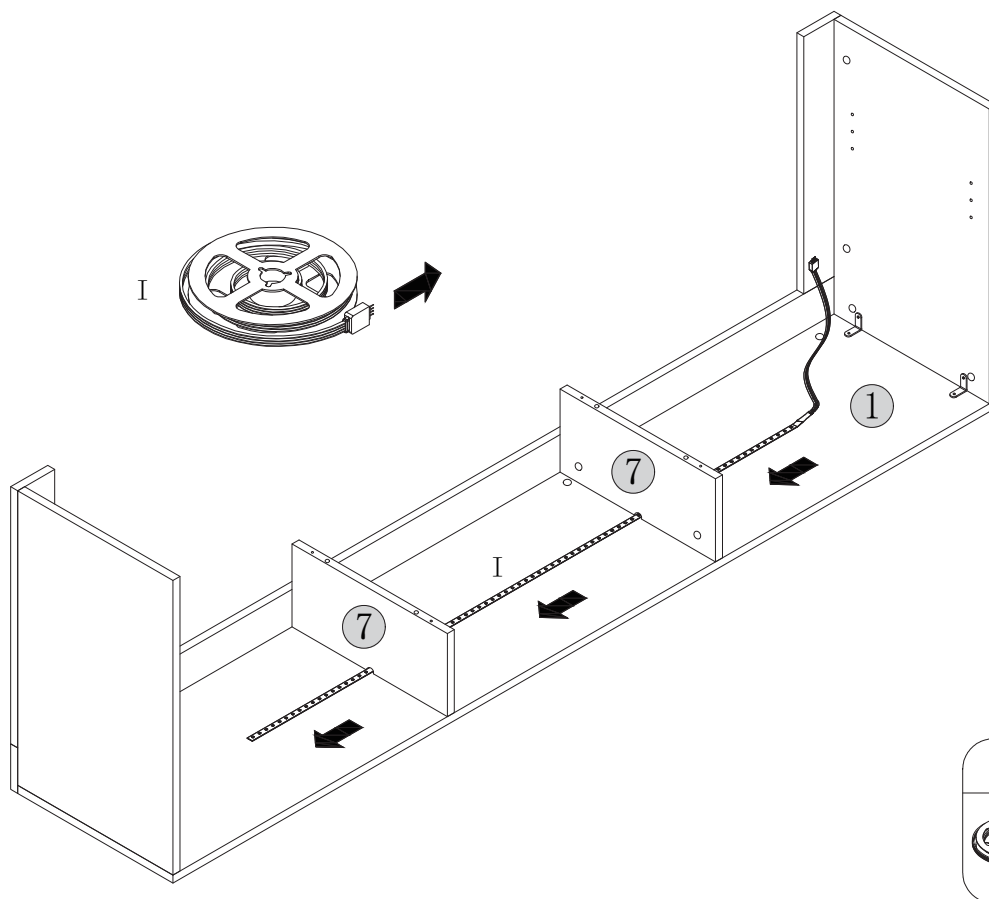


Φ15×10mm

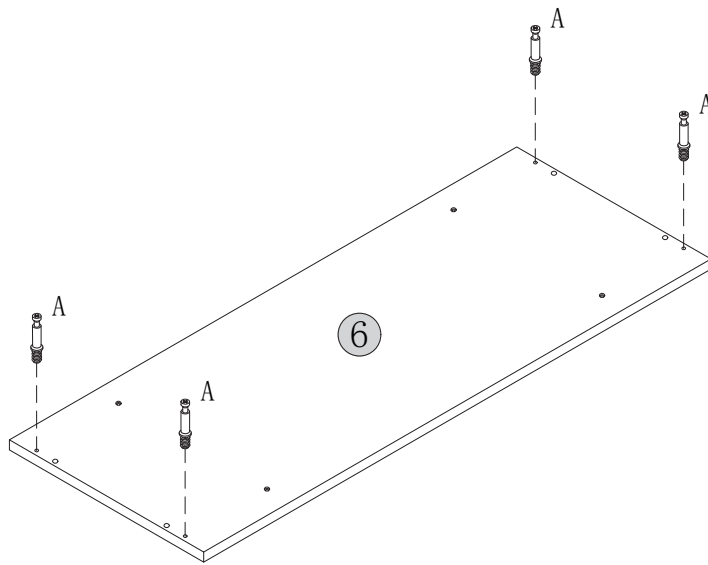
9




10

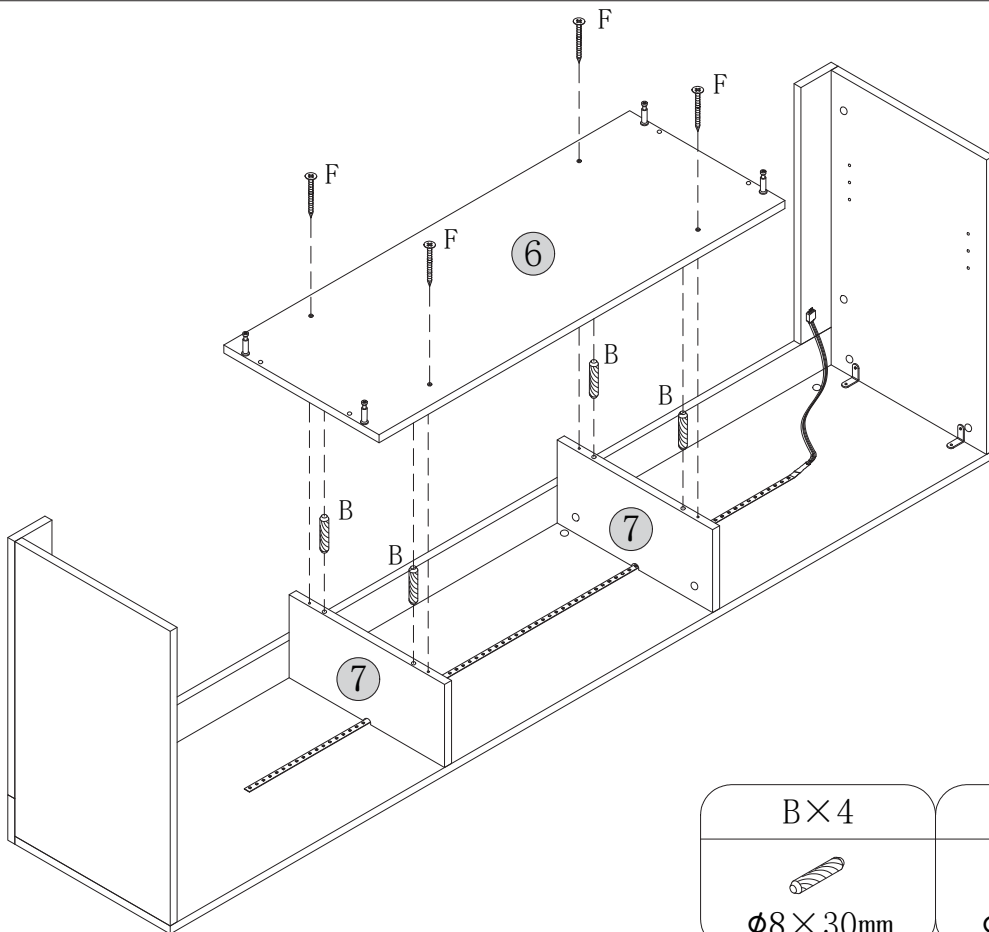




11

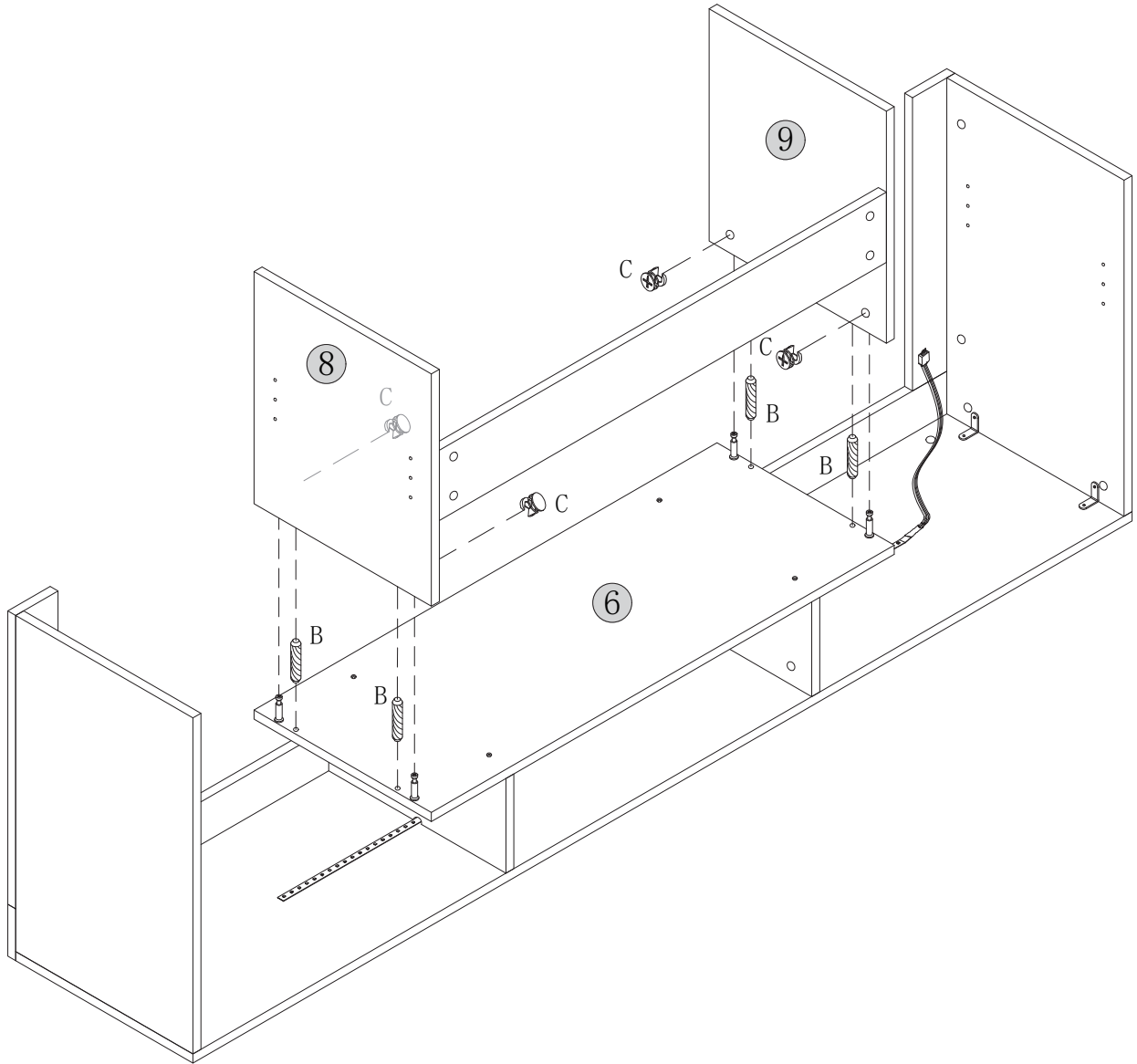




A × 4

Ø6 × 35mm

12



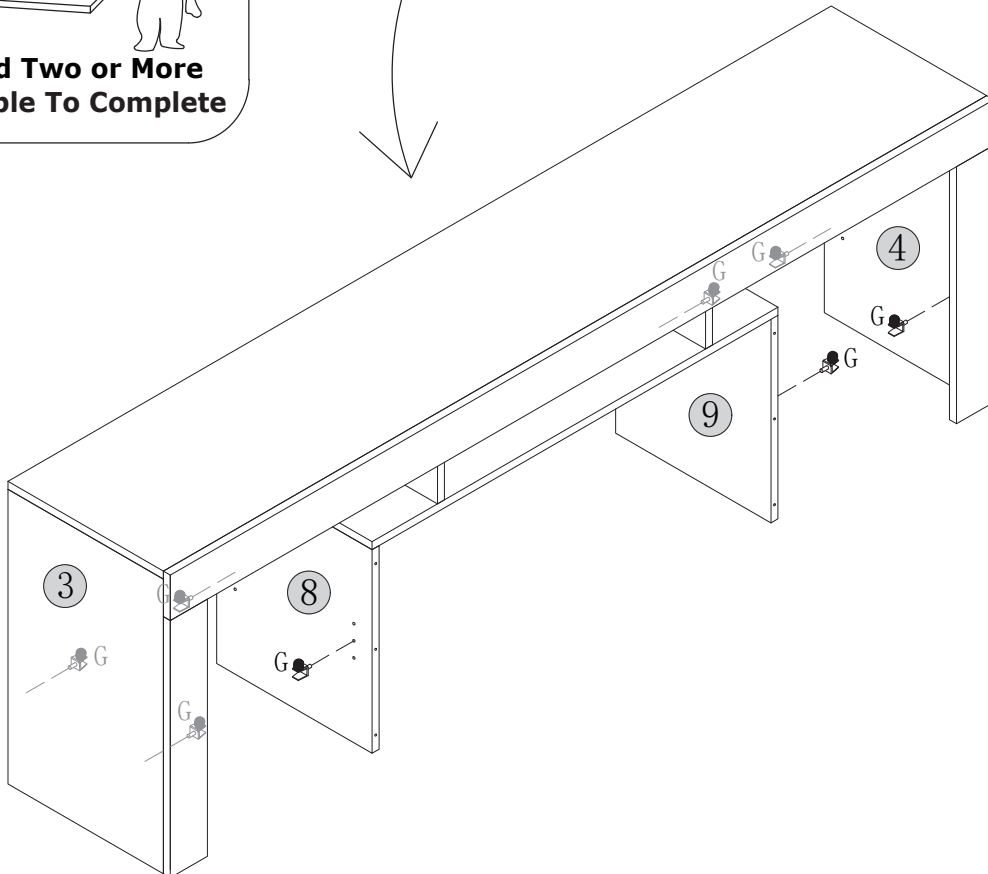
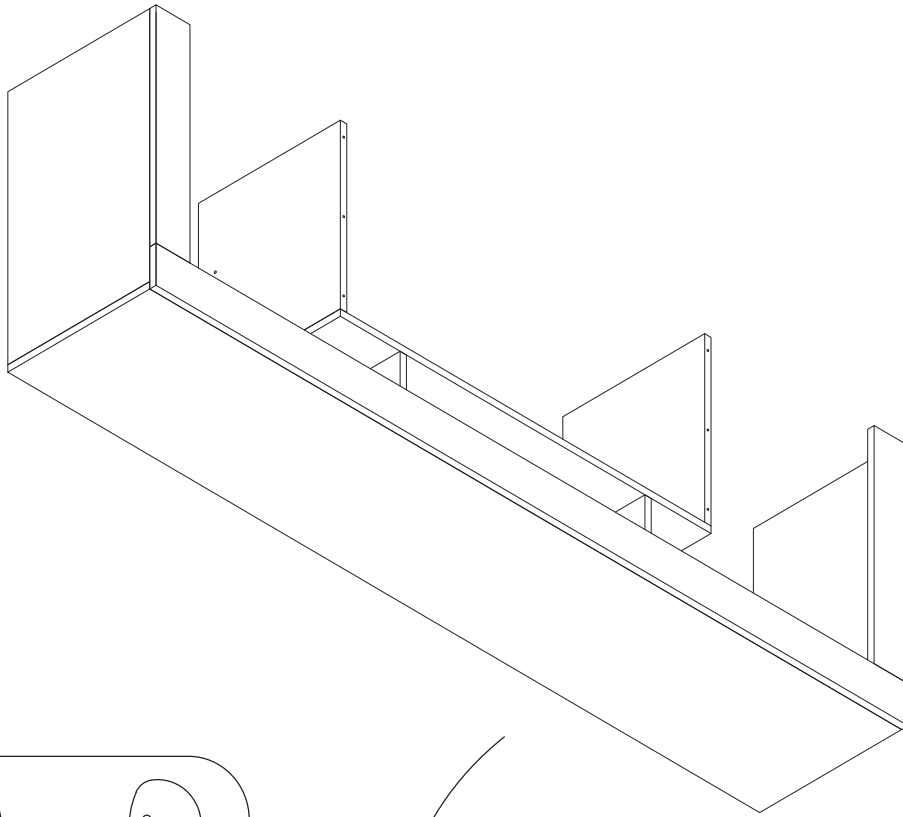
B × 4	F × 4
	
Ø8 × 30mm	Ø4 × 35mm

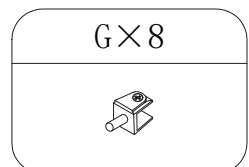
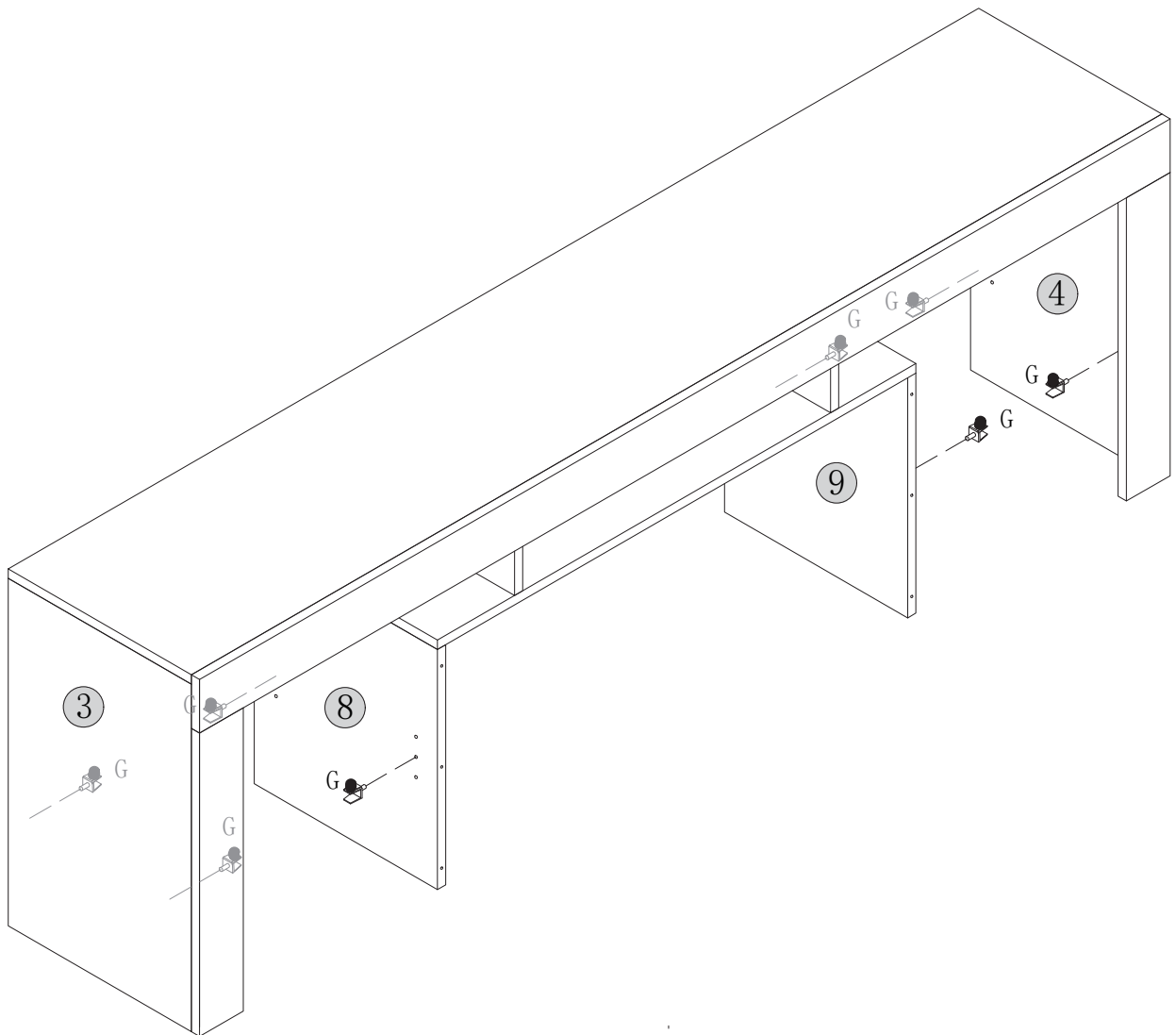
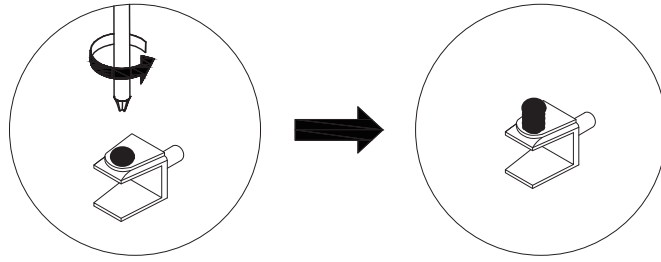


B × 4	C × 4
	
Ø8 × 30mm	Ø15 × 10mm

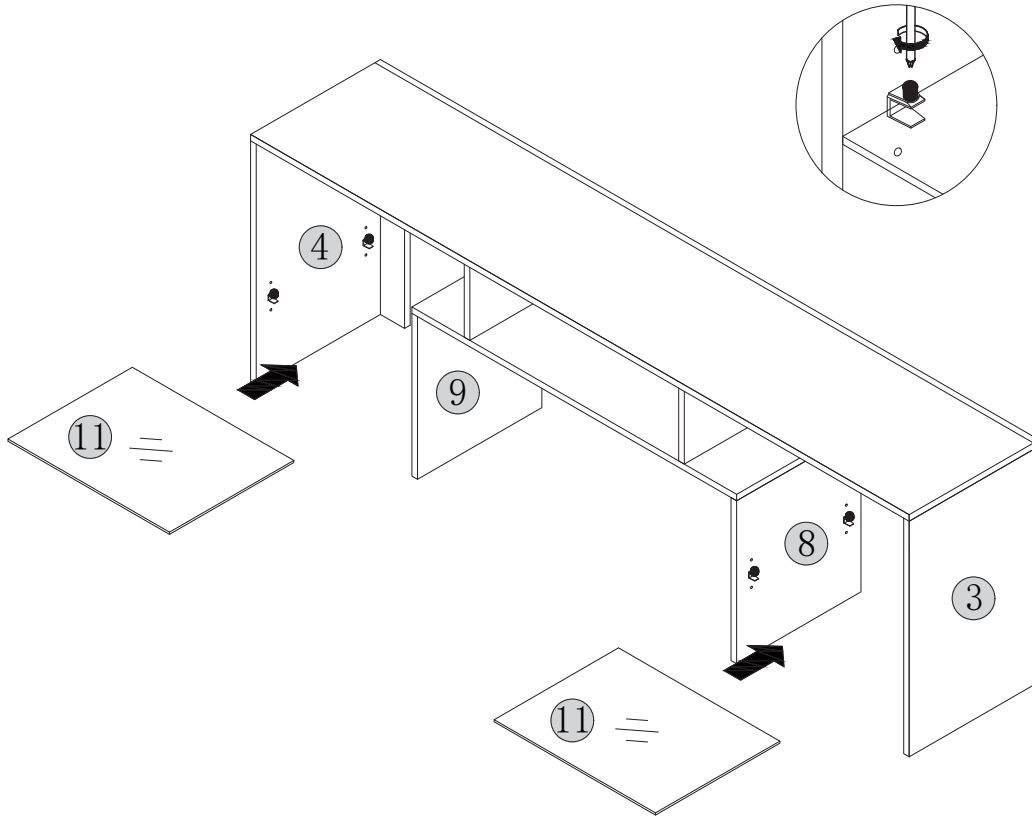


Invert the mounted TV stand.

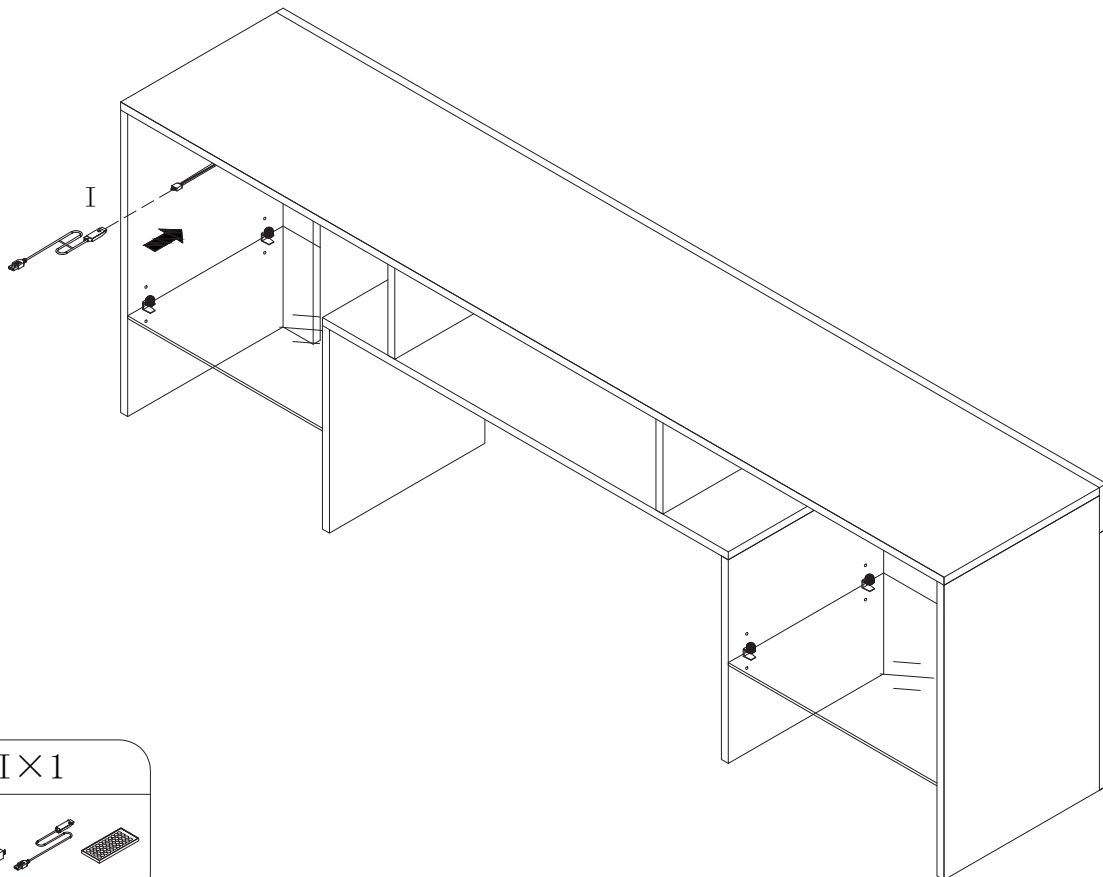




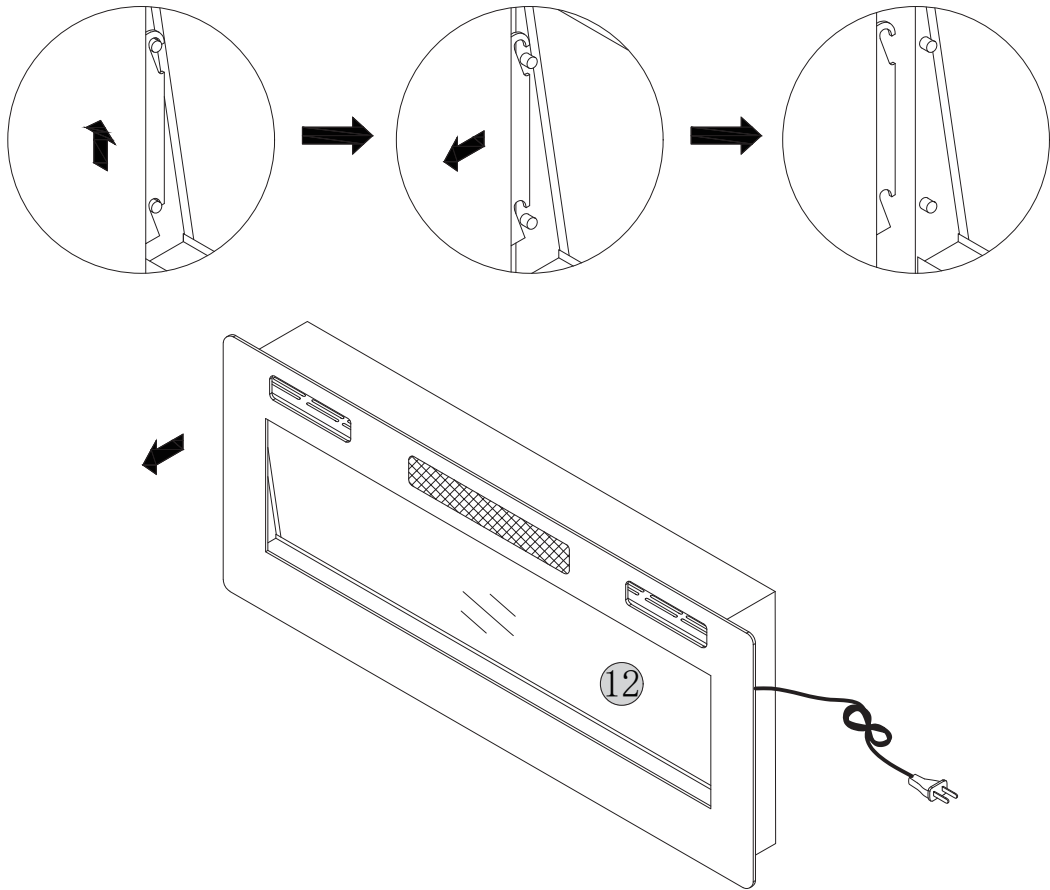
15



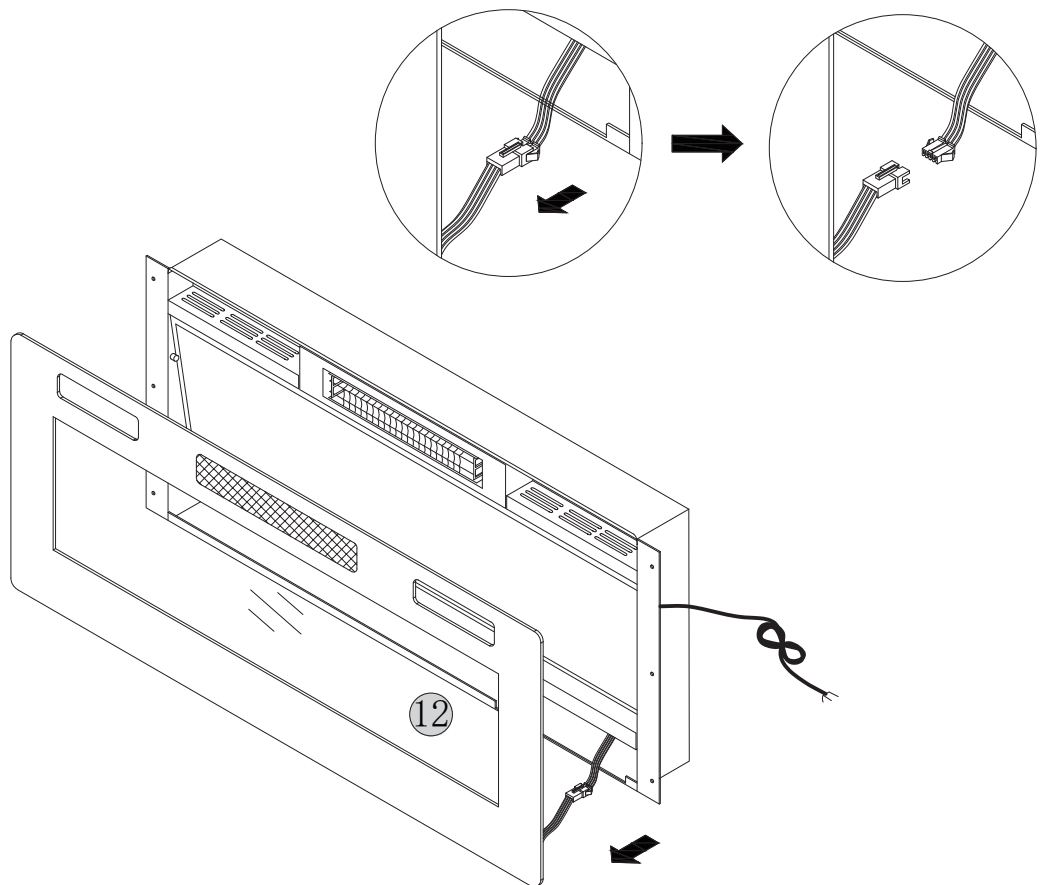
16



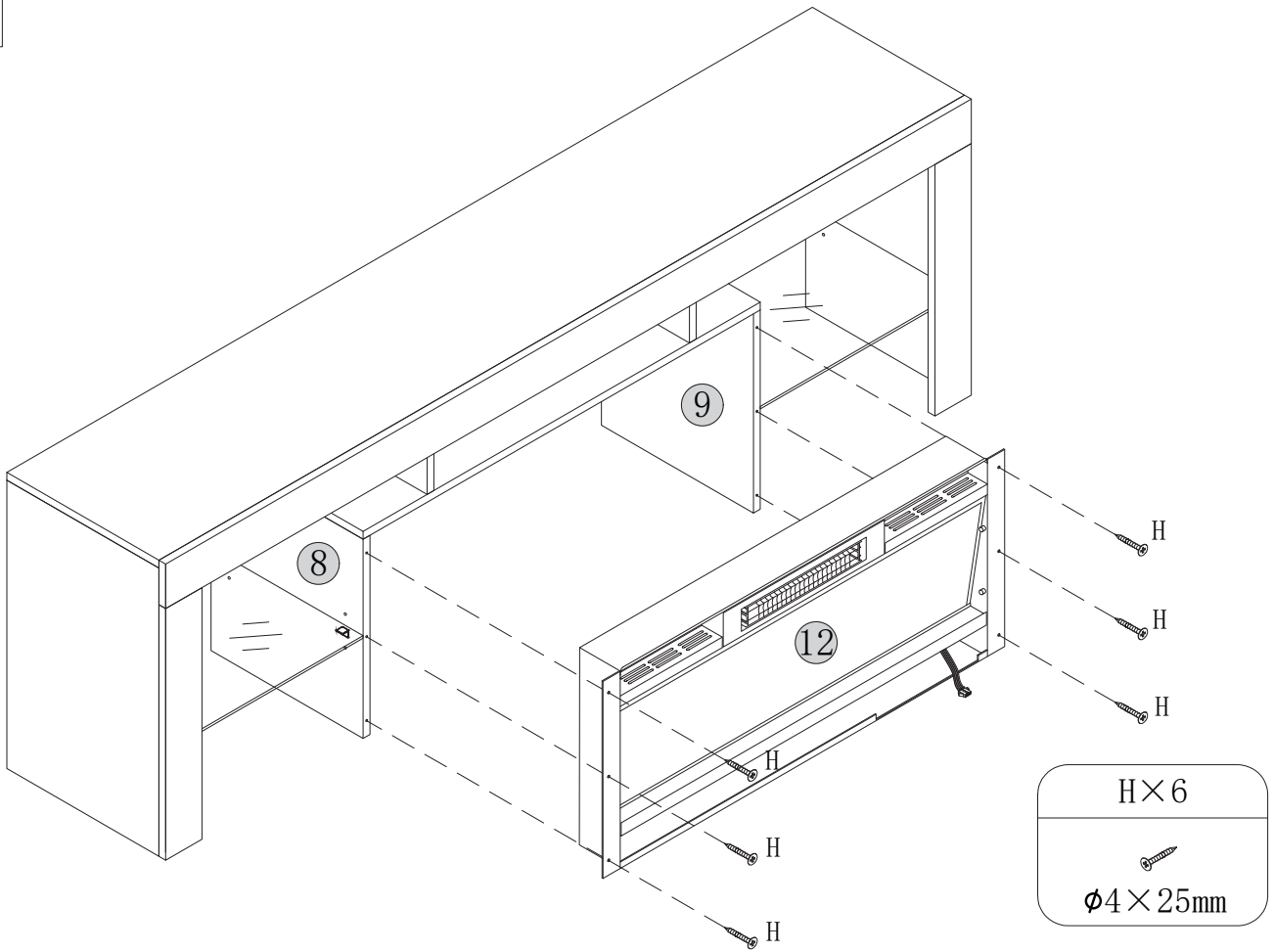
17



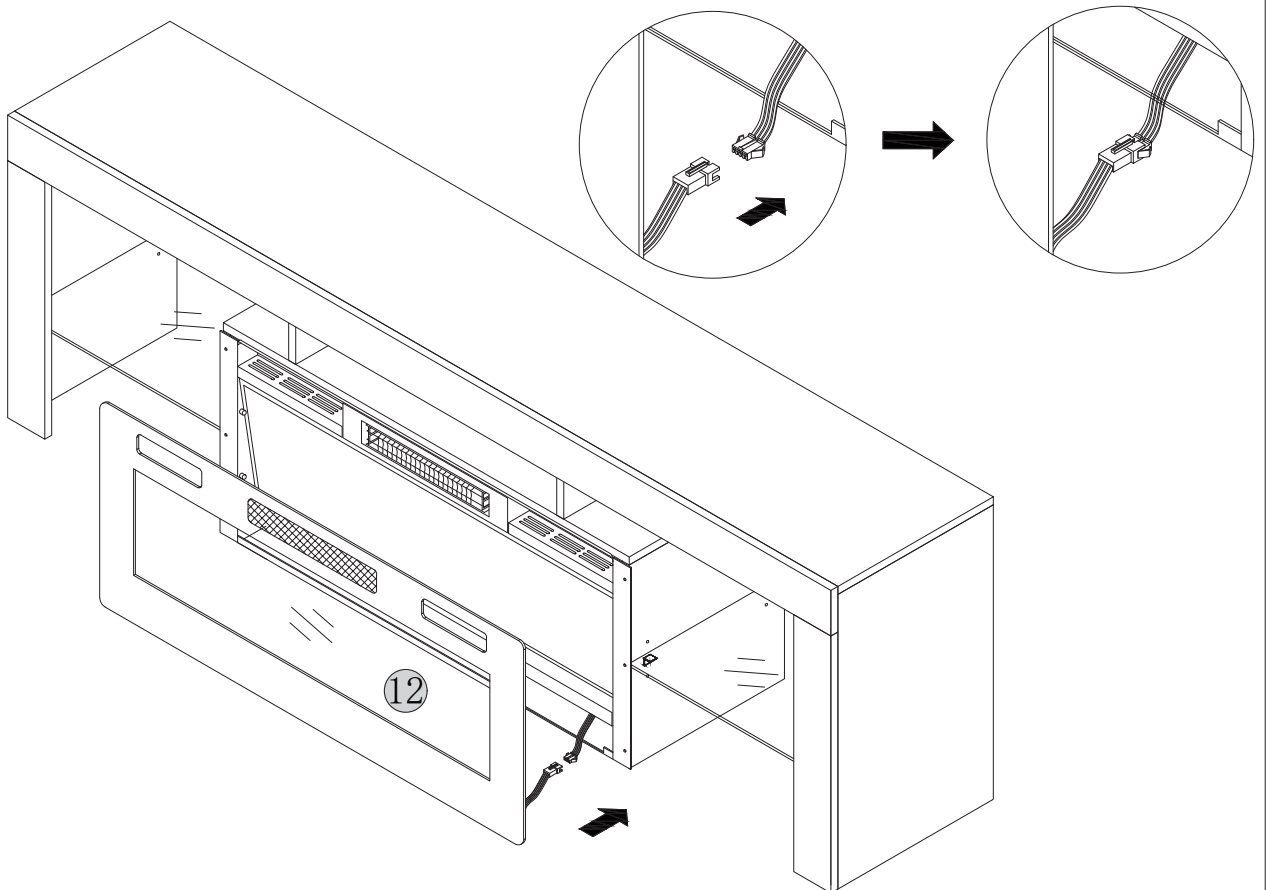
18



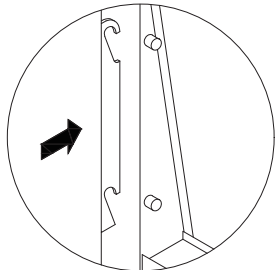
19



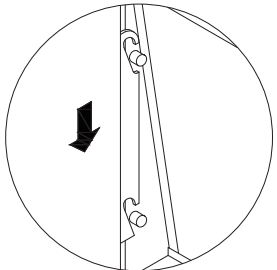
20



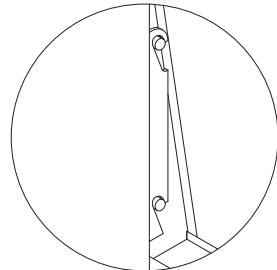
# How to fit an electric fireplace casing



Aim for the hooks and snaps



Drop along the hook track



Make sure the hooks in the 2 positions match on the snaps



Beware of dropping the case

