

# BLANCO SUBLINE 500-U

Item No. BL467605

## Pros

---



The designer line for undermount installation in PuraPlus™ ceramic

- Maximum bowl size provided by the very best in production and mounting technology
- Mounting involves no additional expense
- Ceramic for easy care
- Timelessly elegant, contoured bowl design
- For cabinets from 60 cm
- Optional wooden food board and stainless steel multifunctional colander for maximum function

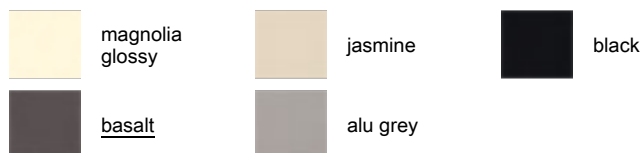


## Colours

---



### Available colours

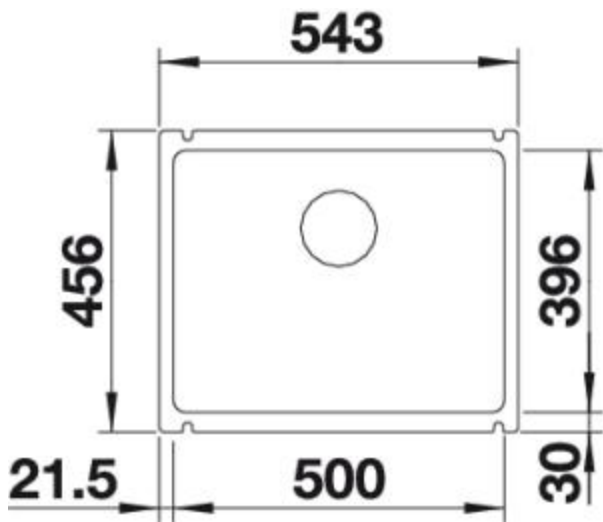


Ceramic PuraPlus®

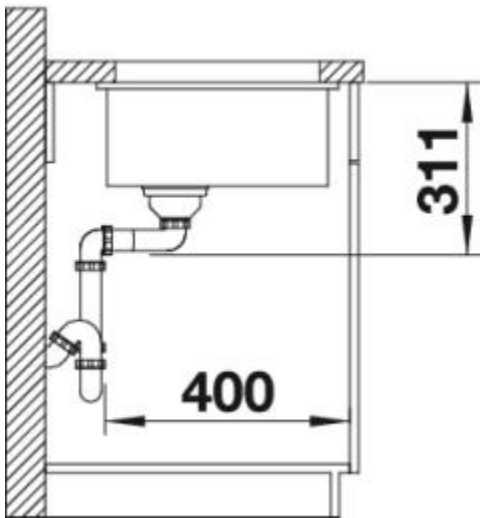
Item No. BL467605

## Details

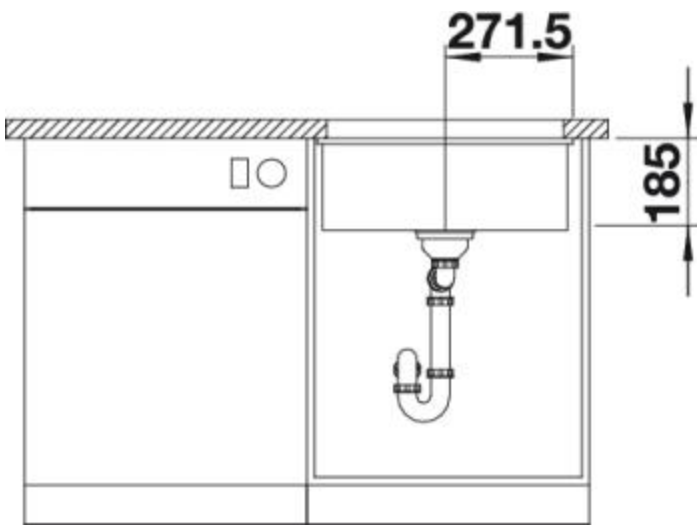
---



Top View



Side View



Front View

Scope of supply

3 1/2" basket strainer, pop-up waste for the main bowl

## Design tips

---

Cabinet Width: 60 cm  
Bowl depth: 200 mm  
Corner radius: 15mm  
Cut out size: 490 x 386 x R15

Please note:  
Minimum depth of worktop 25 mm

## Taps

---



**BLANCO LINUS-S**  
brushed steel finish  
BM3650BS



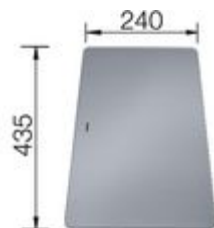
**BLANCO OPERA**  
chrome  
BM6000CH

## Optional Accessories

---



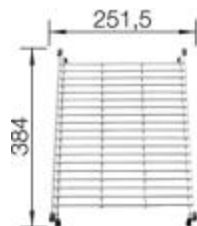
Chopping board  
BL514544



Cutting board  
BL227699



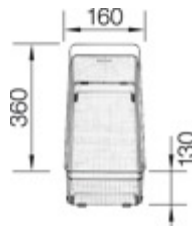
Colander  
BL514542



Floating grid  
BL233542



Outlet cover CapFlow®  
BL517666



Colander  
BL223297

Fax: 0800 0911608

> [www.blanco.co.uk](http://www.blanco.co.uk)