

User's Manual

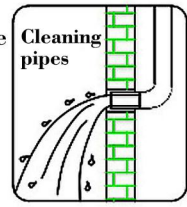


INSTALLATION STEPS

This product has been inspected and debugged by the factory to the best condition. Please do not disassemble and assemble it yourself.



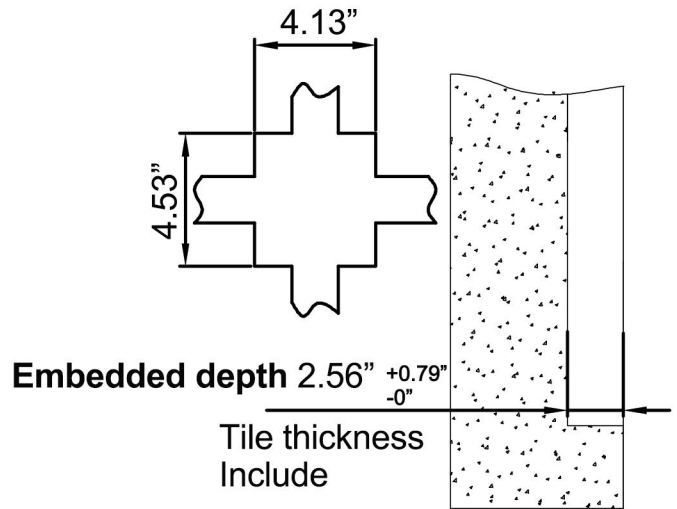
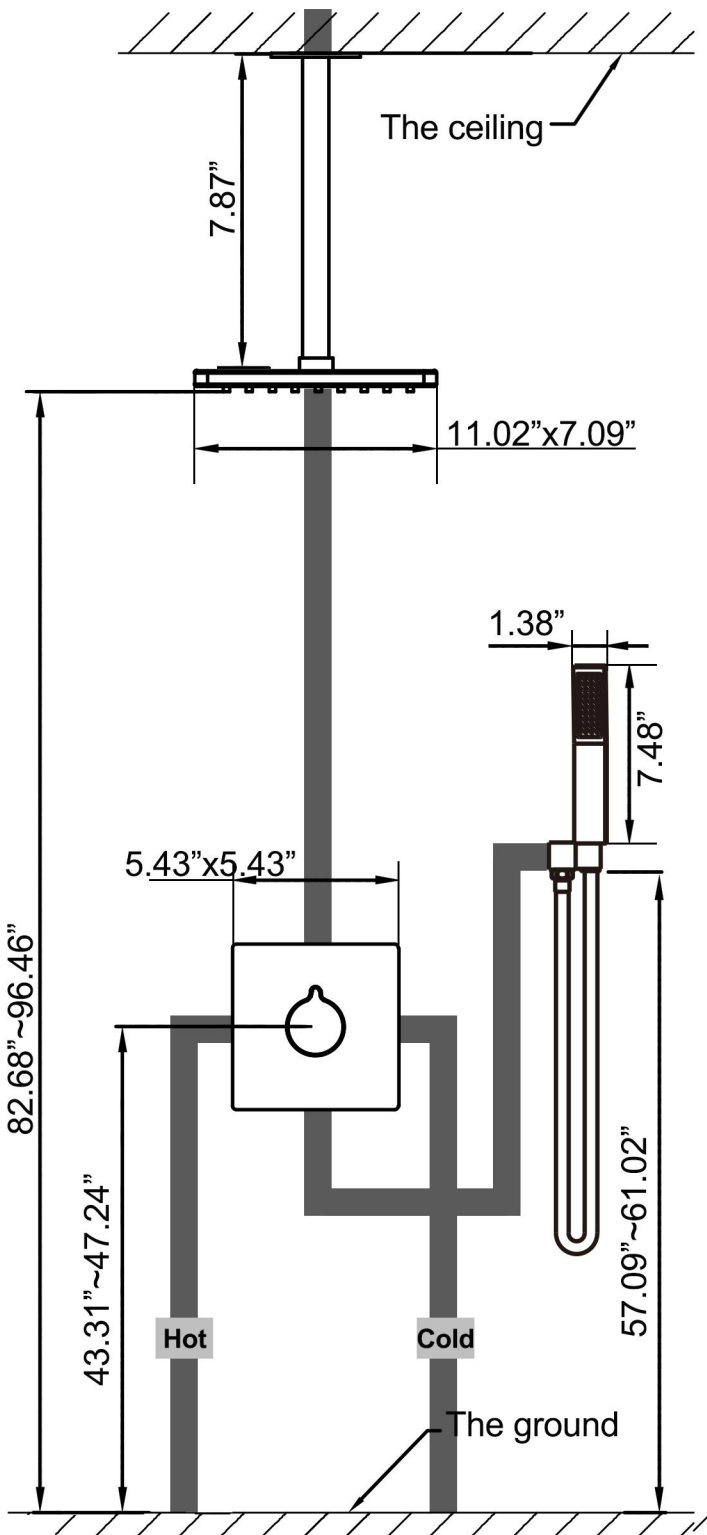
Before installing the faucet, please be sure to remove sundries and sludge from the water pipe to prevent sundries from blocking the faucet.



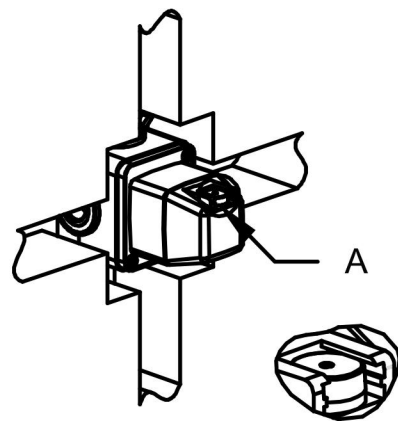
1. Installation Steps of Valve Body

1). According to the product, set the proper height and correct position of the installation. (Please double check, especially the correct space between the wall and valve trim plate.)

2). Dimensions of the embedded box for dual-function shower set



3). Put the product body into the pre-embed slots and be close to the bottom plane of the groove. Check the level meter that comes with the product, and adjust the bottom of the groove so that the air ball in the level can be in the horizontal line.

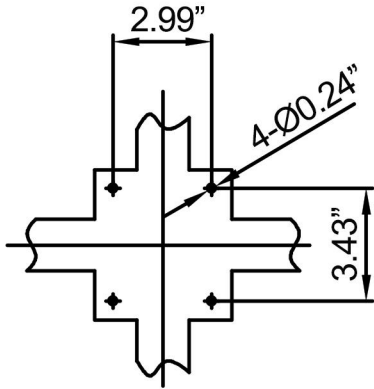


A 3:1

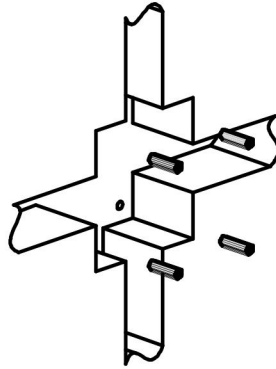
Level meter magnified view

INSTALLATION STEPS

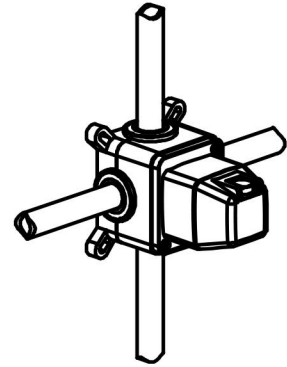
4). Punch 4 holes in the pre-embed slots ($\text{Ø}=0.24''$, depth=0.31").



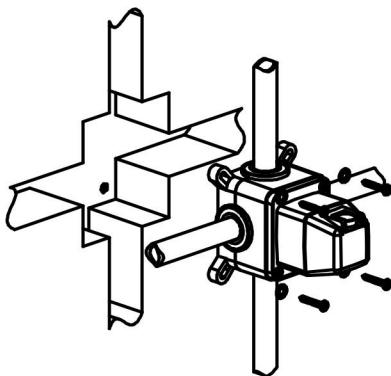
5). Drive expansion sleeves into the 4 holes.



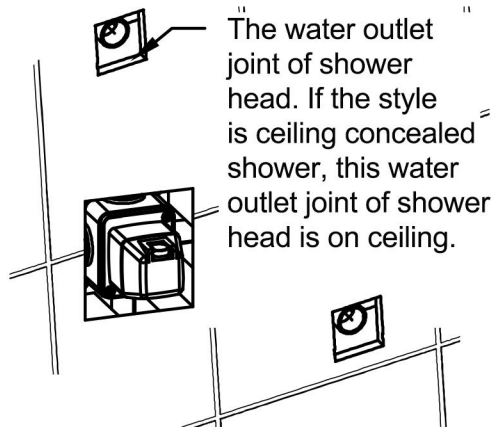
6). Connect the cold and hot inlet pipes, top shower outlet pipe/hand spray pipe and the adapters in order. Note: the thread connection should be wrapped with Teflon tape.



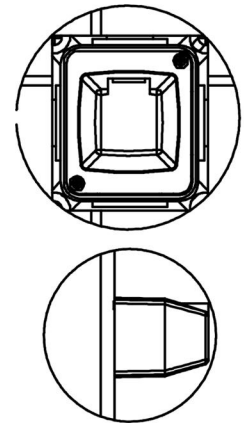
7). Secure the valve body in the slot with self-tapping screws and connect the cold and hot inlet pipes; (Note: left/HOT; right/COLD.)



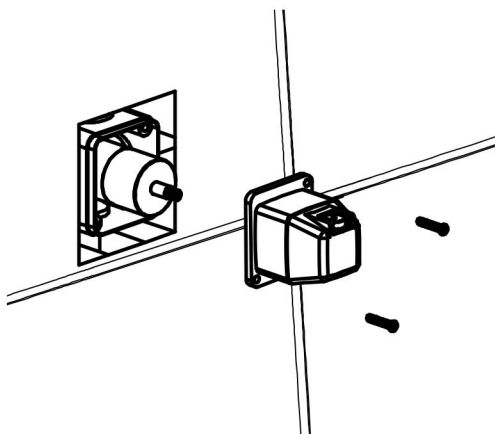
8). Check that the pipe connections are free of leaks. Then seal the pre-buried valve with cement concrete, tiled the wall.



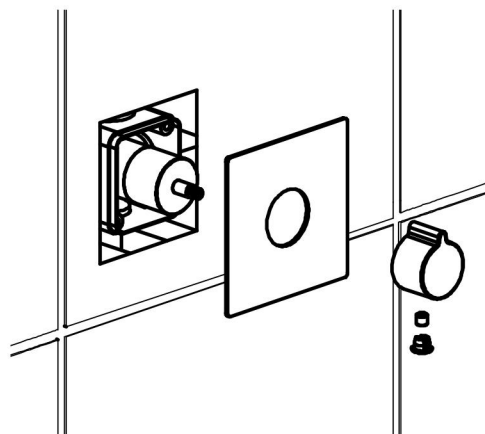
9). Triple check before you tile the wall. Make sure the correct space is reserved for the control box and the water outlet. The control box should be flush with the tile surface when the tile is finished.



10). Unscrew the screws and remove the plastic shield.



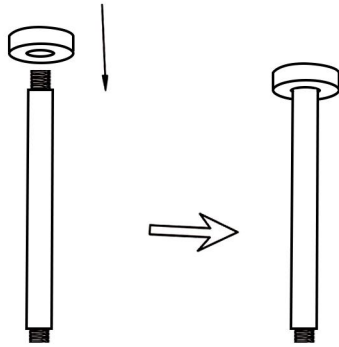
11). Install the panel and handles in order.



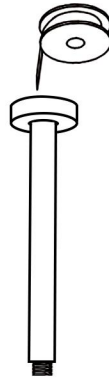
INSTALLATION STEPS

2. Installation Steps of Rain shower

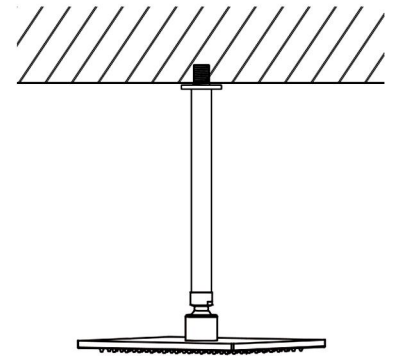
1). Attach the cover plate to the longer tail of the shower arm.



2). Shower arm longer thread with Teflon tape.

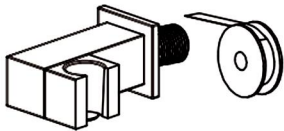


3). Screw the shower head clockwise onto the lower end of the shower pipe.

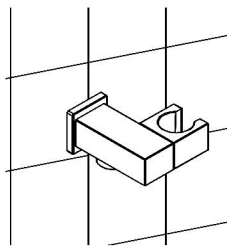


3. Installation Steps of Hand Shower

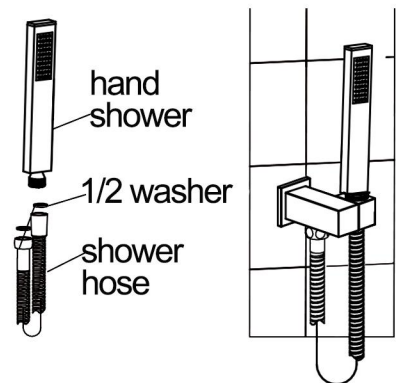
1). Wrap supply elbow thread with Teflon tape and attach cover plate to it.



2). Screw the shower holder clockwise onto the hand-shower outlet.



3). Place rubber washers in both ends of the hose. Connect the shower hose to the supply elbow and shower head. Note the ends of shower hose to be connected correctly.



CLEANING CARE

In order to keep the appearance of faucet clean, bright and good performance, please take care of the faucet as follows;

1. Rinse with water only and dry with soft cotton cloth;
2. Use mild liquid and colorless glass cleaner to remove surface dirt and scale film, or use polish without abrasive effect;
3. Do not use abrasive detergent, polish, emery cloth, paper towel or scraper, etc.;
4. Do not use acid cleaner, or cleaner and soap with insoluble gran etc.;
5. In the process of use, mud may accumulate in the bubbler and make the water flow show, The bubbler can be unscrewed, rinsed with water, and then installed back in place.



