

**PRODUCT SPECIFICATIONS**

Elkay Deluxe 3-1/2" Drain with Satin Finish Type 304 Stainless Steel Body Strainer Basket Rubber Seal and Tailpiece. Overall dimensions are 4-7/16" x 4-7/16" x 7-9/16". Made of Stainless Steel.

<b>Material:</b>	Stainless Steel
<b>Finish:</b>	Satin
<b>Dimensions:</b>	4-7/16" x 4-7/16" x 7-9/16"
<b>Shipping Weight:</b>	1 lbs.

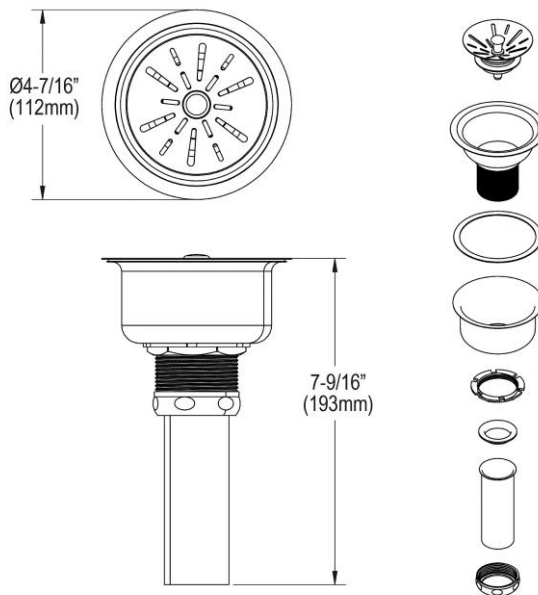
- **STAINLESS STEEL CONSTRUCTION:** Made of strong, Type 304 stainless steel for long-lasting durability.
- 1-1/2" O.D. x 4" type 304 stainless steel tailpiece.



**AMERICAN PRIDE. A LIFETIME TRADITION.**  
Like your family, the Elkay family has values and traditions that endure. For almost a century, Elkay has been a family-owned and operated company, providing thousands of jobs that support our families and communities.

**Product Compliance:** ASME A112.18.2/CSA B125.2

[Clean and Care Manual \(PDF\)](#)  
[Installation Instructions \(PDF\)](#)



PART: \_\_\_\_\_ QTY: \_\_\_\_\_  
 PROJECT: \_\_\_\_\_  
 CONTACT: \_\_\_\_\_  
 DATE: \_\_\_\_\_  
 NOTES: \_\_\_\_\_  
 APPROVAL: \_\_\_\_\_

*In keeping with our policy of continuing product improvement, Elkay reserves the right to change product specifications without notice. Please visit [elkay.com](http://elkay.com) for the most current version of Elkay product specification sheets. This specification describes an Elkay product with design, quality, and functional benefits to the user. When making a comparison of other producers' offerings, be certain these features are not overlooked.*