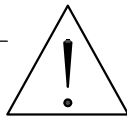
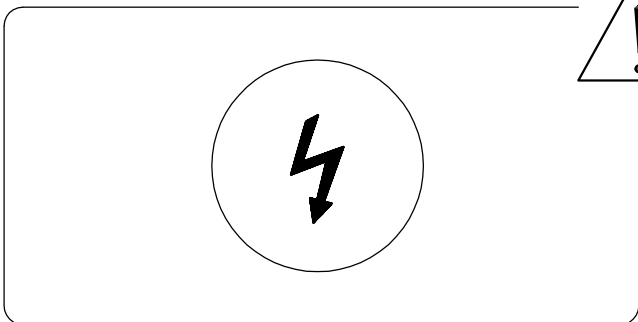
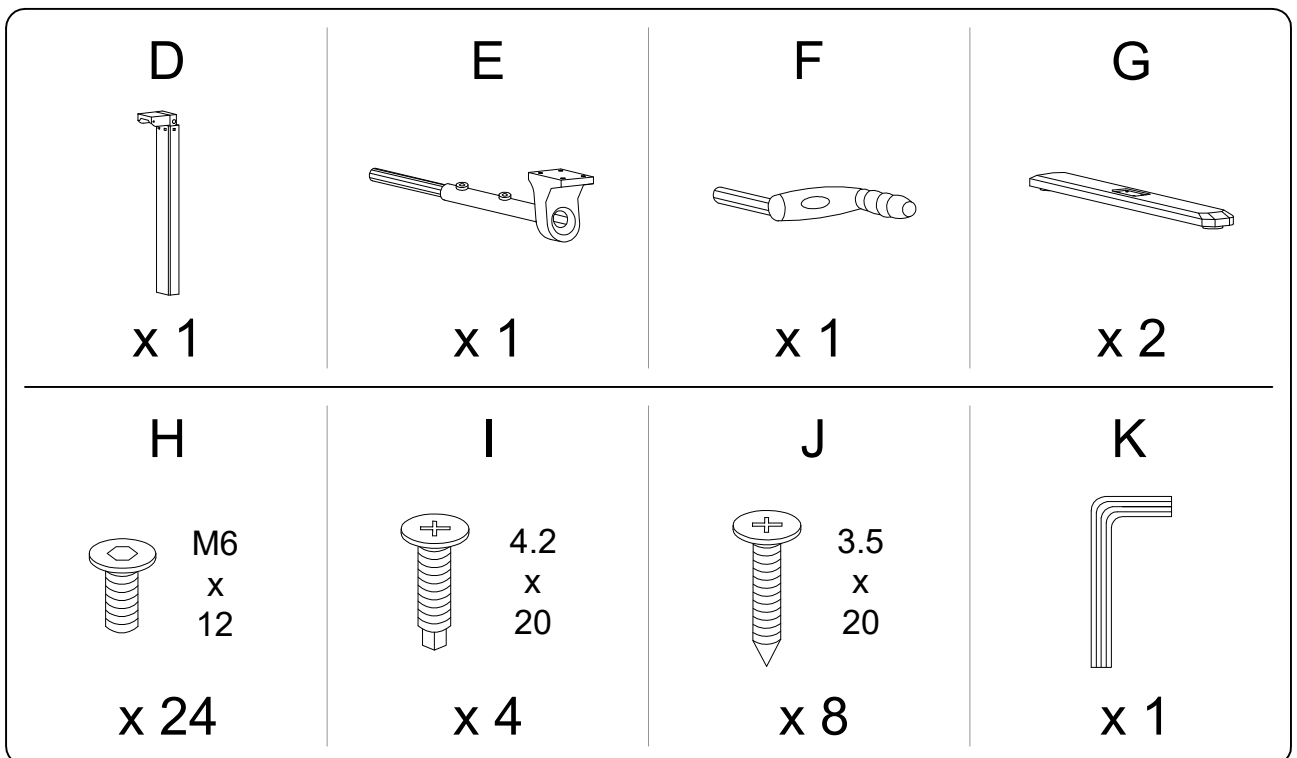
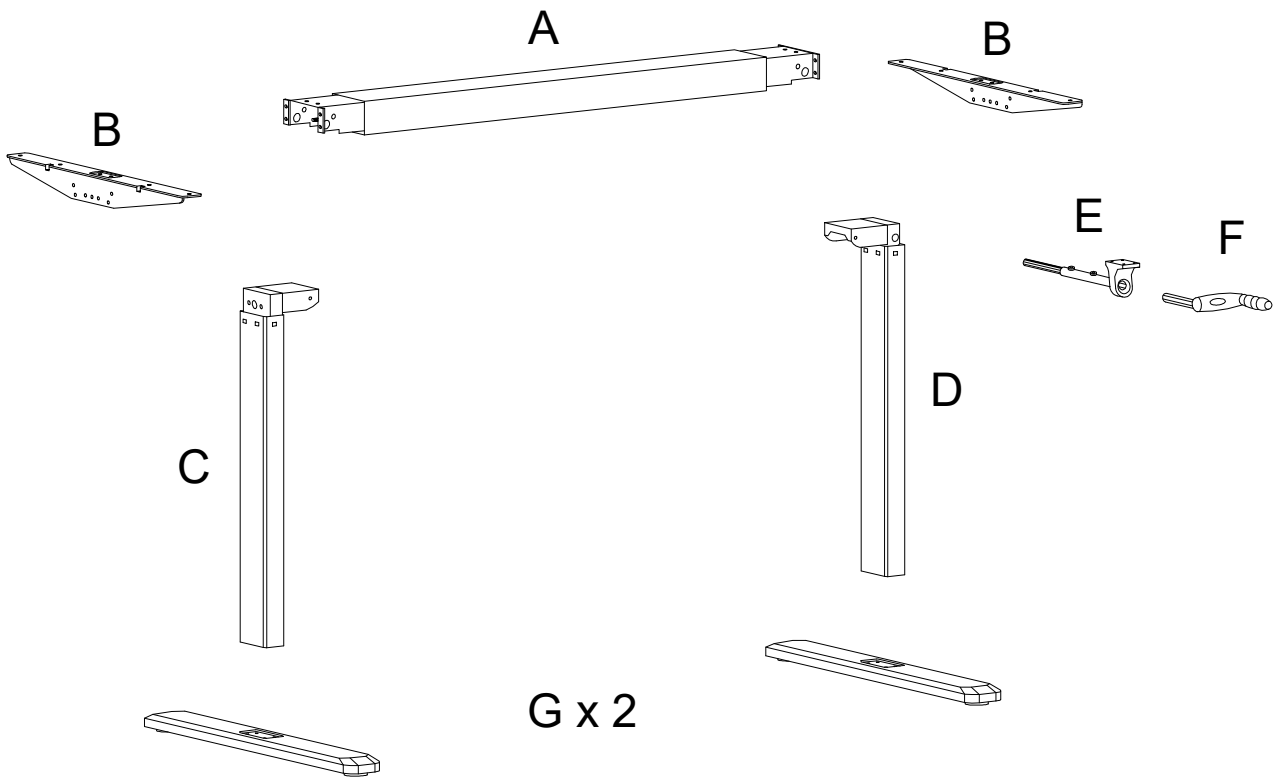
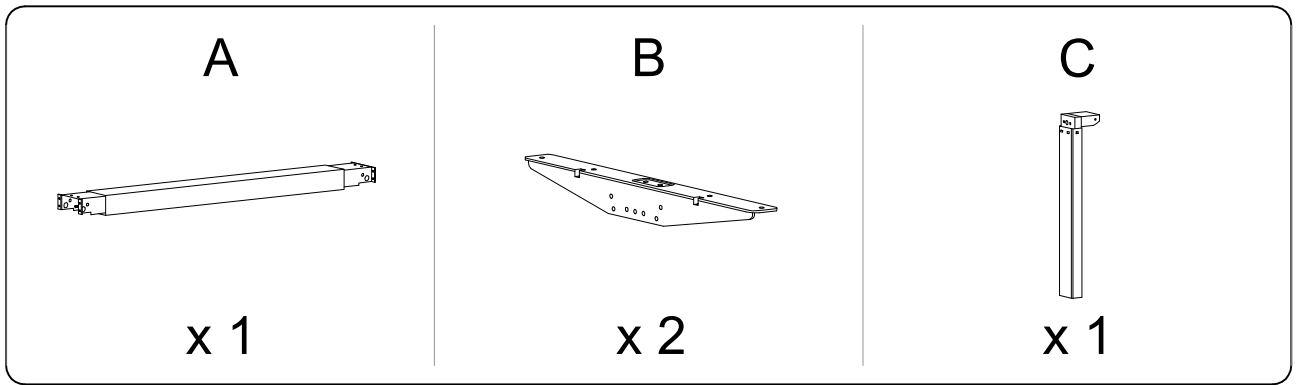


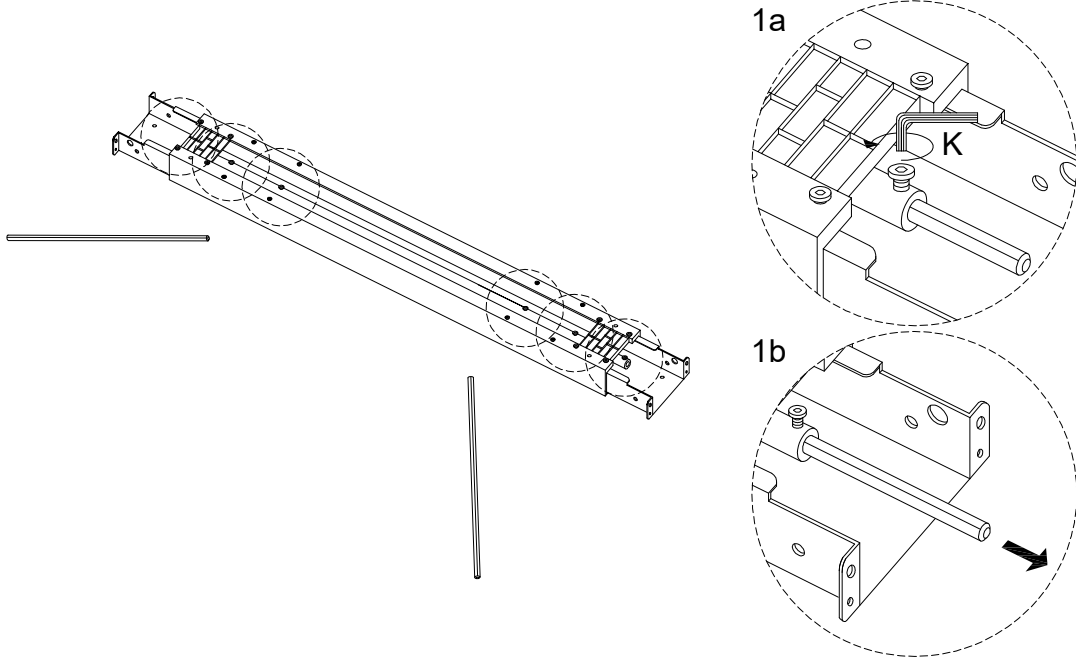
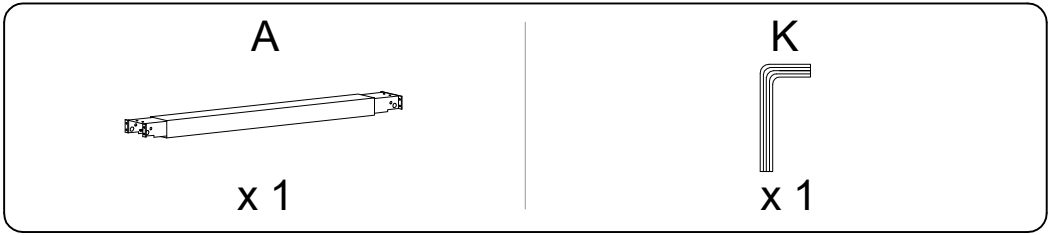
60'



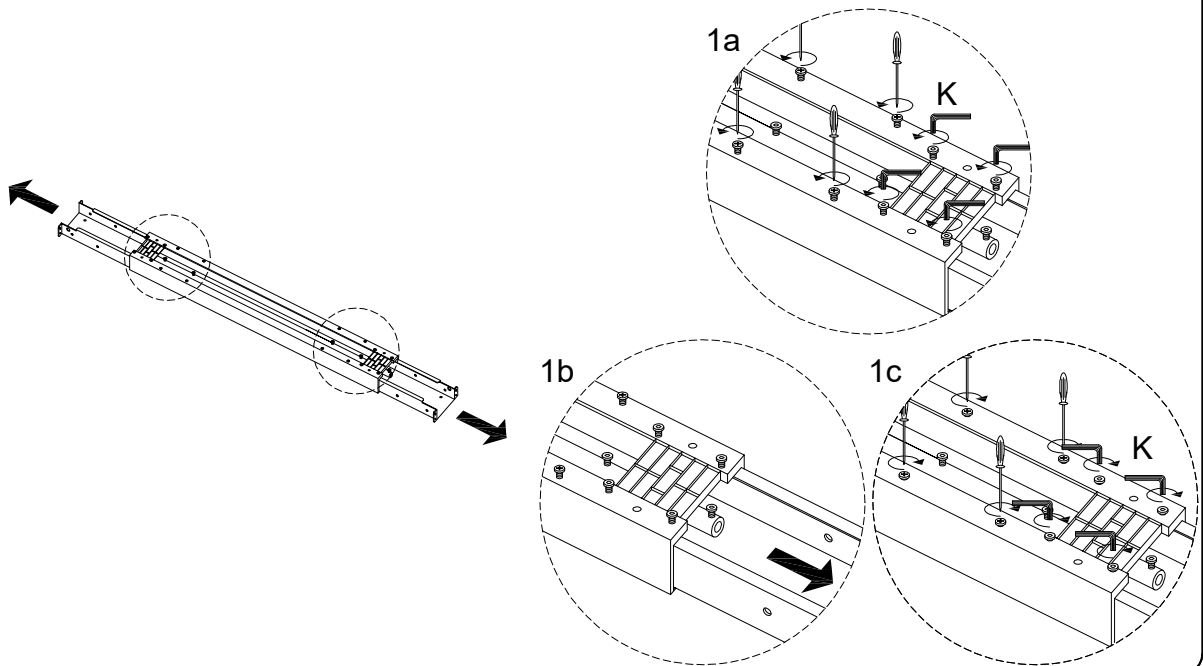
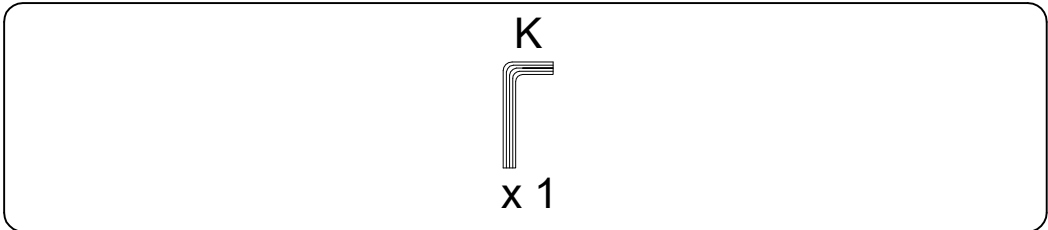
2



1



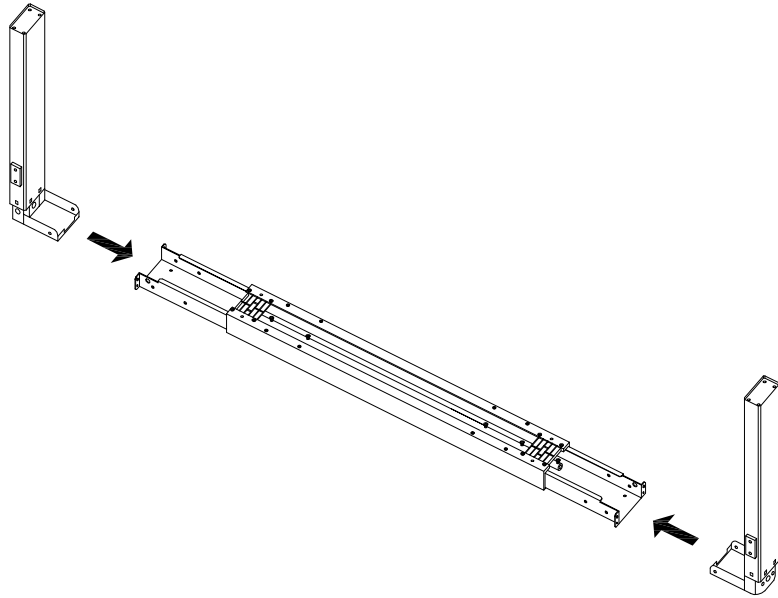
2



3

C
x 1

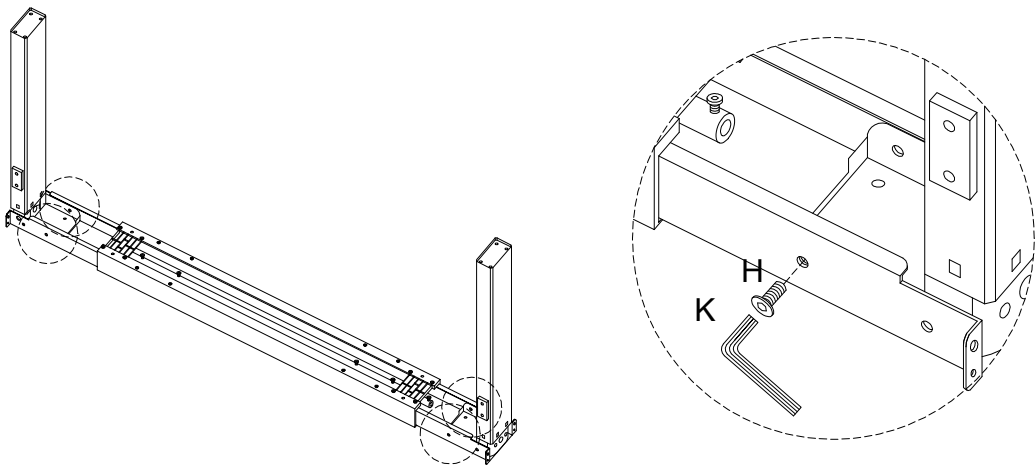
D
x 1



4

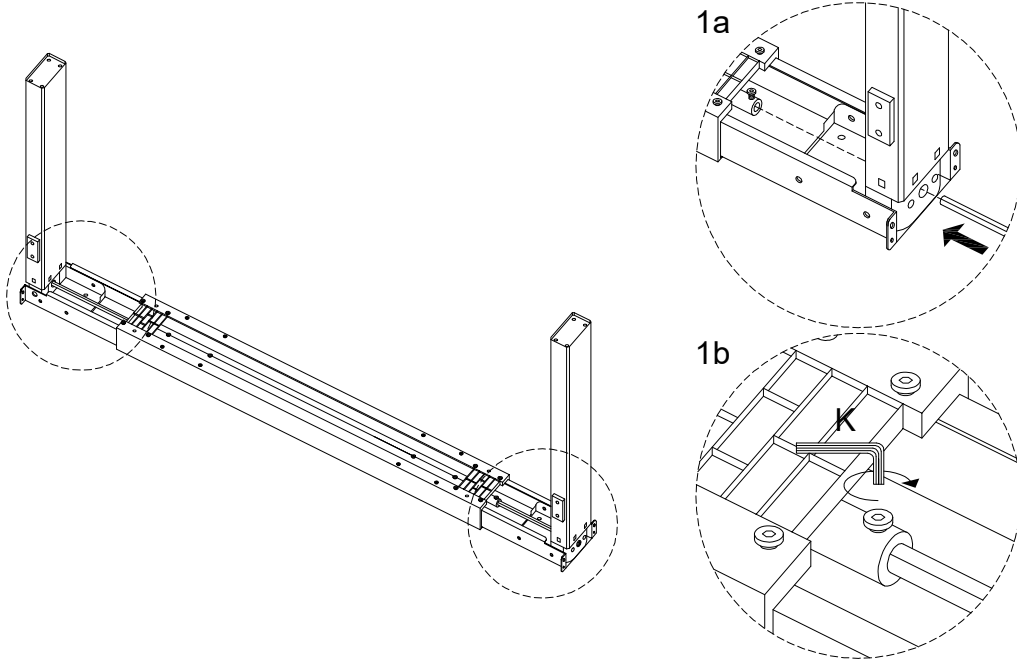
H
M6
x 12
x 4

K
x 1



5

K
x 1

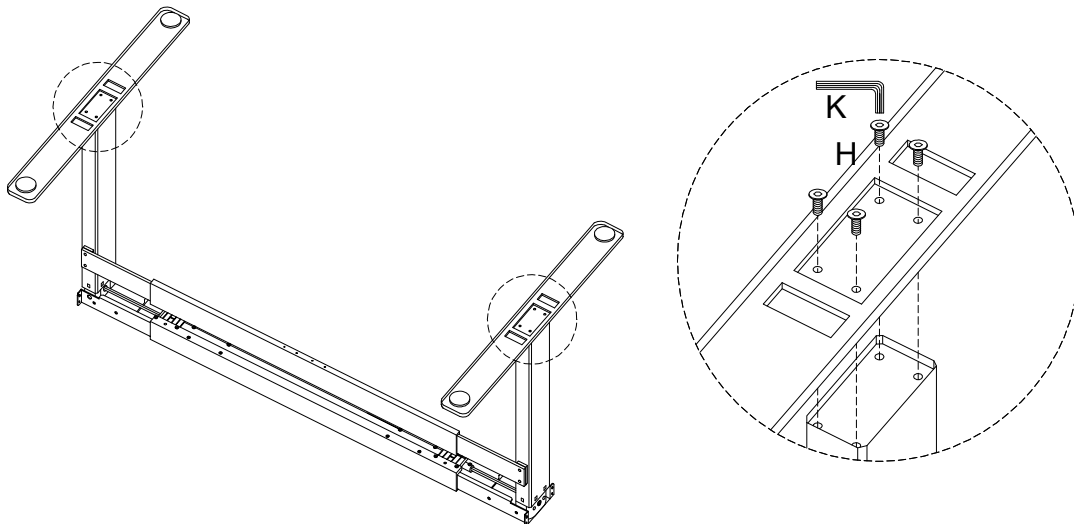


6

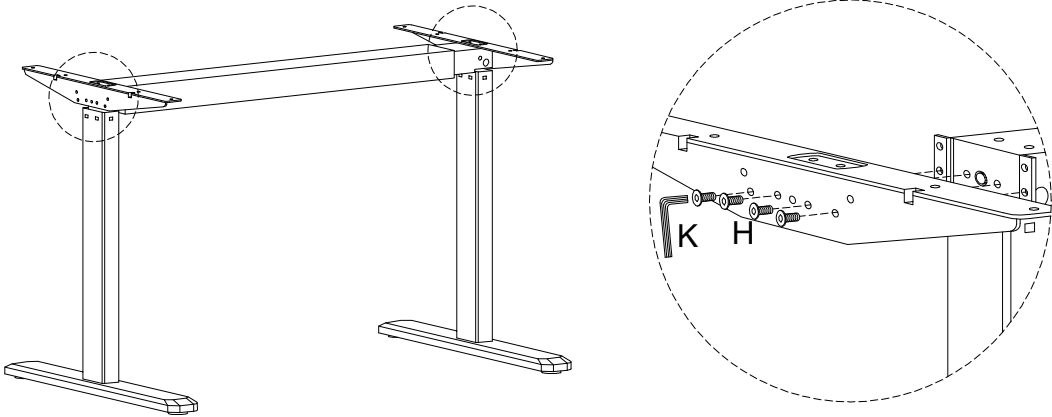
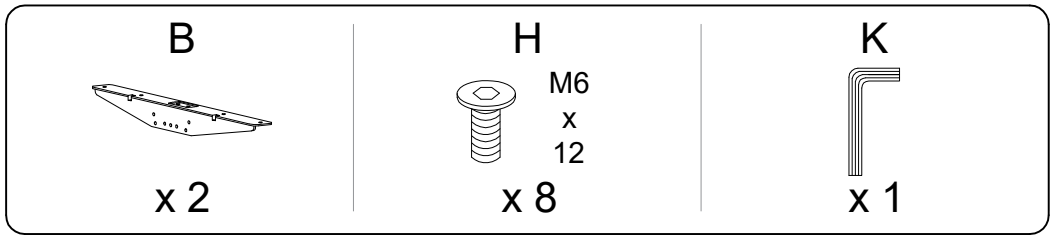
G
x 2

H
M6
x
12
x 8

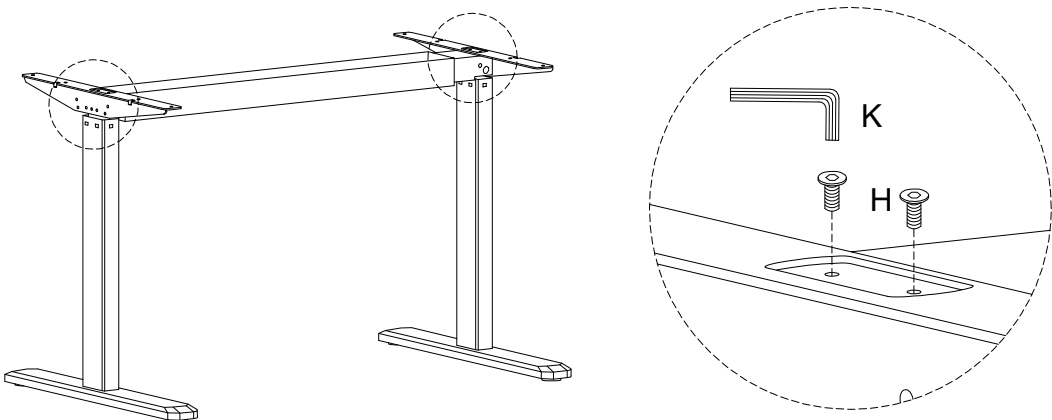
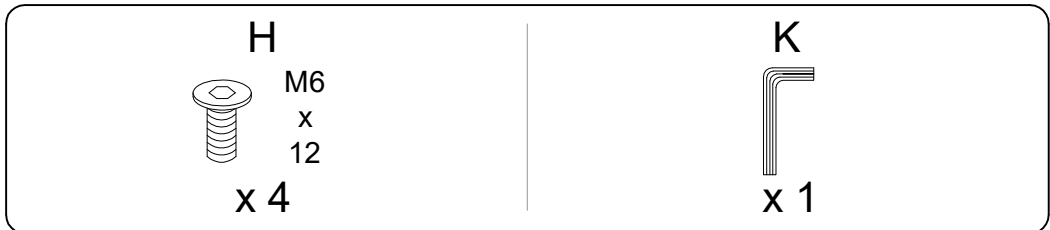
K
x 1



7

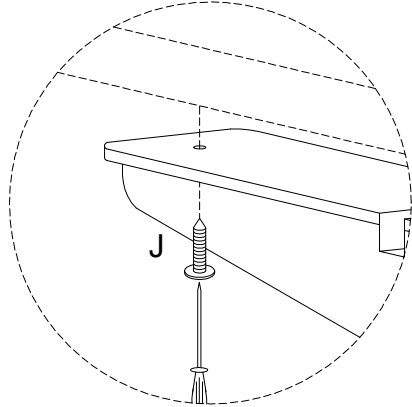
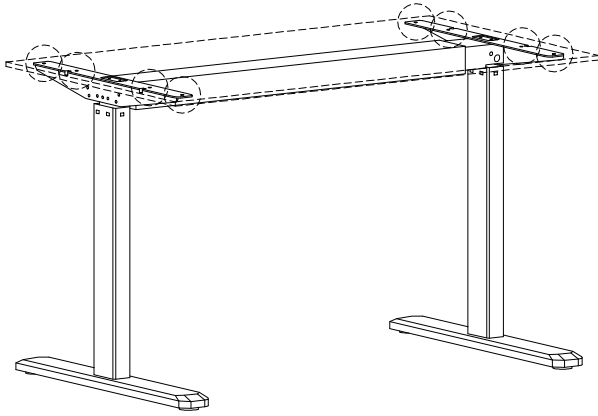


8

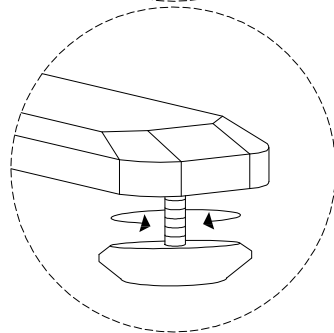
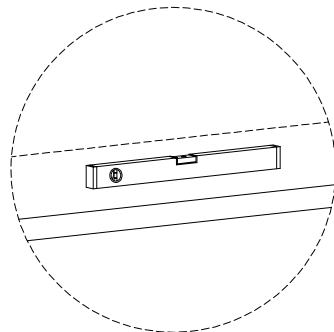
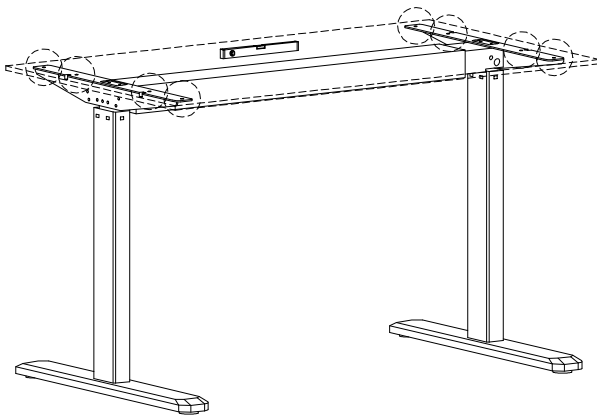


9

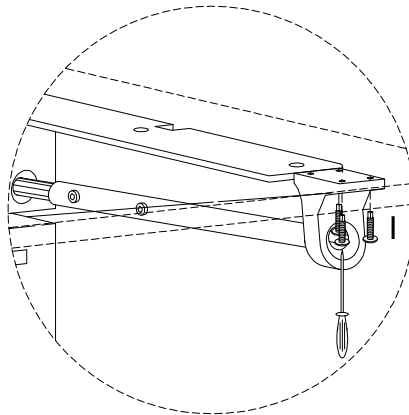
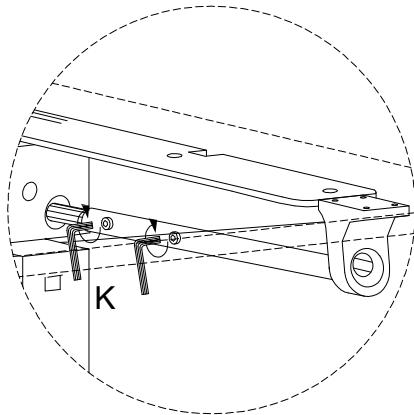
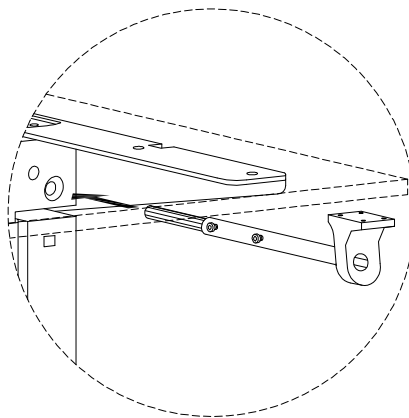
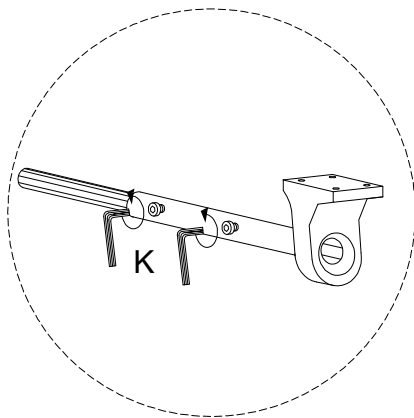
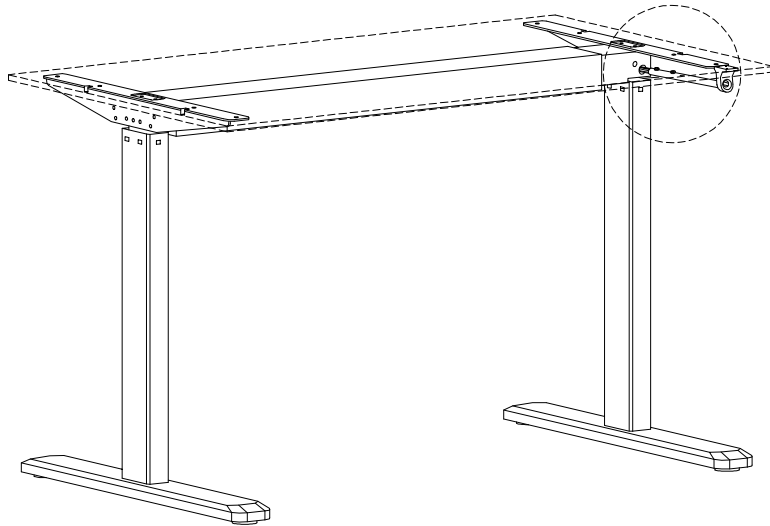
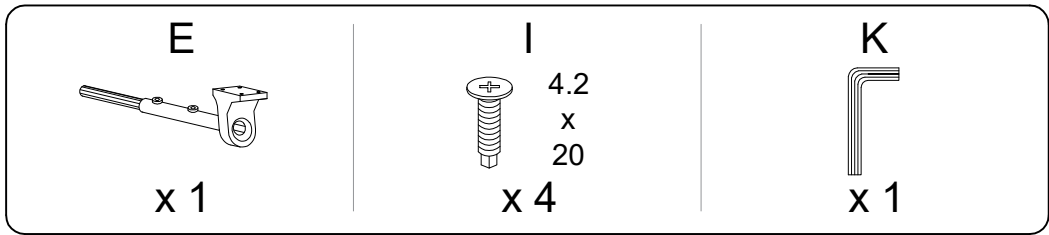
J
3.5
x
20
x 8



!



10



11

F



x 1

