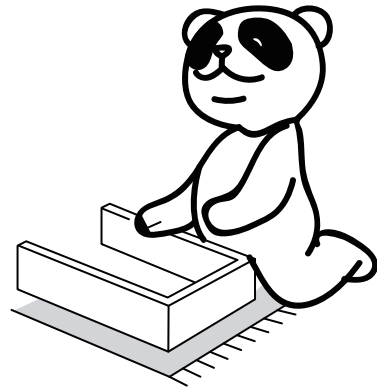
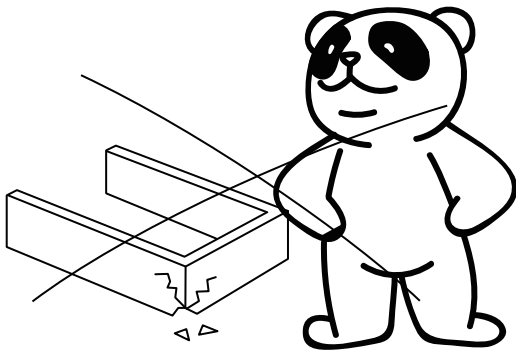
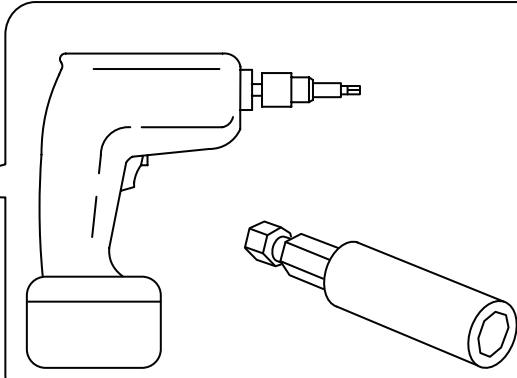


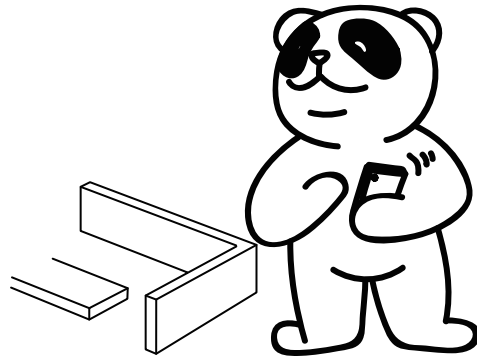
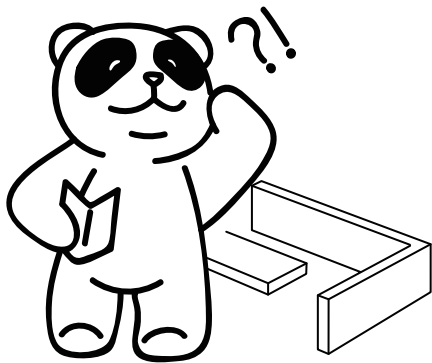


**CAUTION:**When tightening the screws,tighten sequentially.  
Do not tighten any screws fully and then towards the next one.  
When every part is OK,then tighten all the screws.

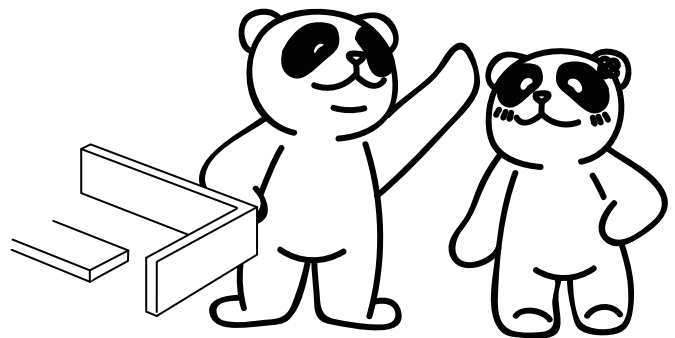
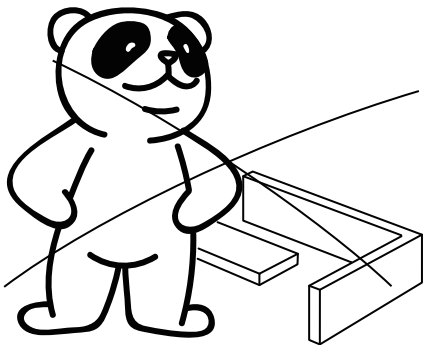




**Violent installation is prohibited**

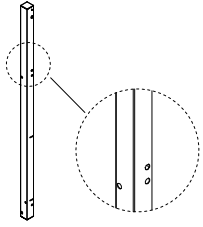


**Please call if you need help**



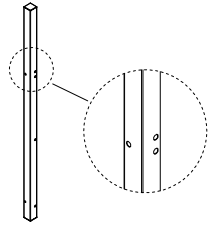
**Multi-person cooperation is recommended**

# Assembly Instruction



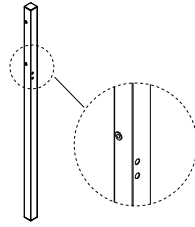
1

x1



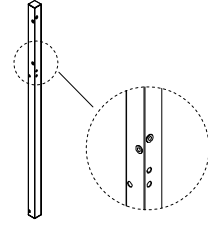
2

x1



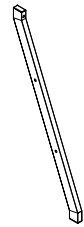
3

x1



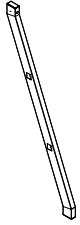
4

x1



5

x1



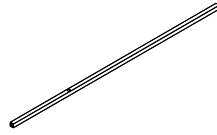
6

x1



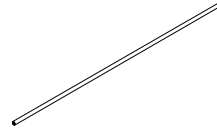
7

x2



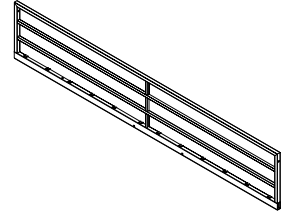
8

x2



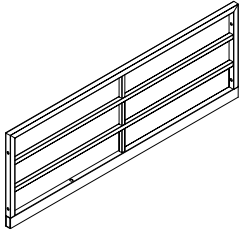
9

x2



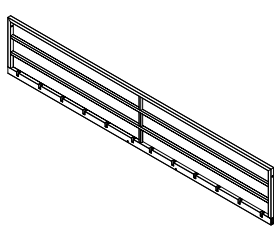
10

x1



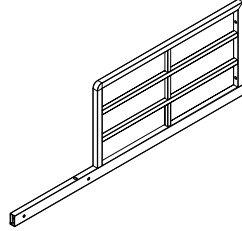
11

x1



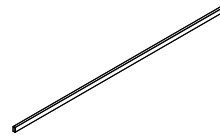
12

x1



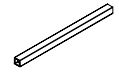
13

x1



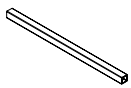
14

x12



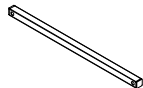
15

x4



16

x2



17

x1



18

x1



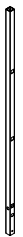
19

x1



20

x1



21

x1



22

x1



23

x1



24

x1



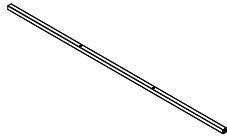
25

x1

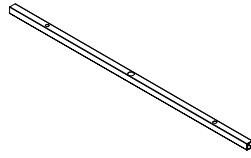
# Assembly Instruction



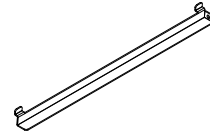
26  
x2



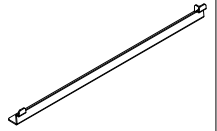
27  
x2



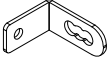
28  
x2



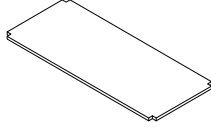
29  
x7



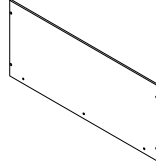
30  
x7



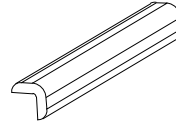
31  
x2



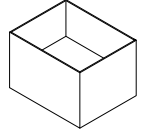
32  
x1



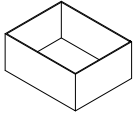
33  
x1



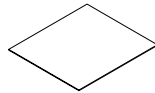
34  
x2



35  
x4



36  
x3

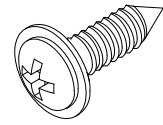


37  
x7

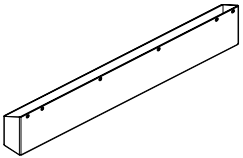


38  
x7

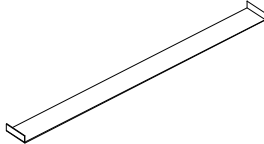
## Hardware parts 2



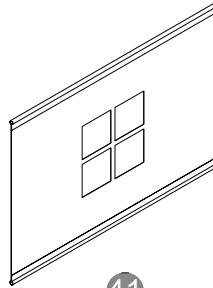
R  
Ø4\*10  
x14



39  
x1



40  
x1

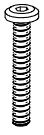


41  
x1

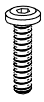


42  
x2

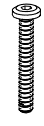
## Hardware parts 1



A  
M8\*55  
x8



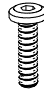
B  
M8\*35  
x10



C  
M6\*70  
x2



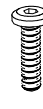
D  
M6\*55  
x13



E  
M6\*45  
x8



F  
M6\*35  
x19



G  
M6\*28  
x2



H  
M6\*20  
x4



I  
M6\*15  
x10



J  
M6\*10  
x4



K  
Ø5\*35  
x3



L  
M6  
x2



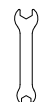
M  
M6\*50  
x2



N  
S4  
x1



O  
S3  
x1



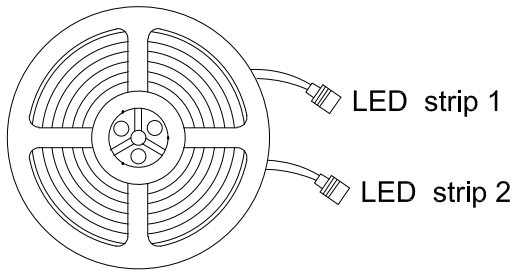
P  
S10,S13  
x1



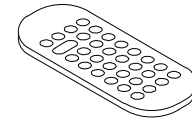
Q

# Assembly Instruction

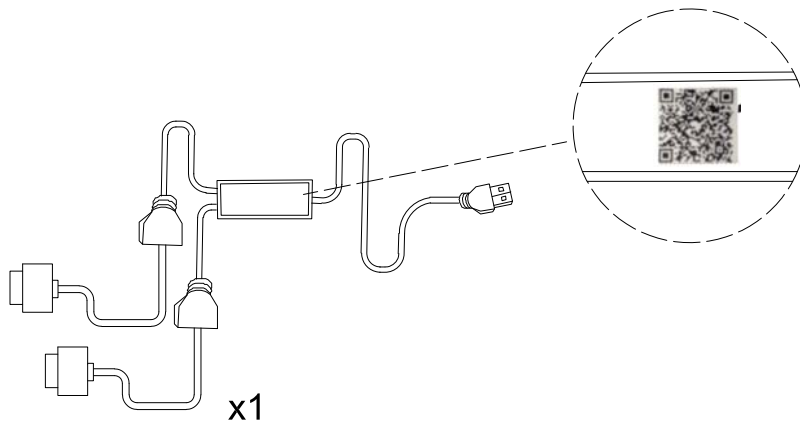
## LED light strip electronic accessories list



x1  
light bar

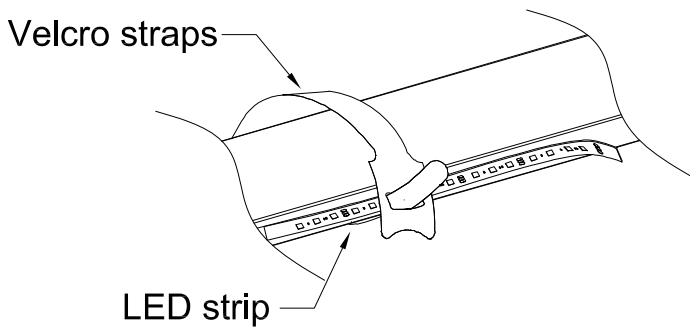


x1  
Remote control

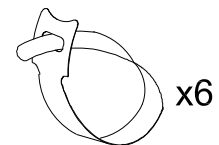


x1  
Controller wire

There is a two-dimensional code at the position of the power line. Scanning can download the APP for the control light



When the wire is disturbed, place the wire inside the velcro and thread the small end of the strap through the strip hole in the head and gently pull it tight

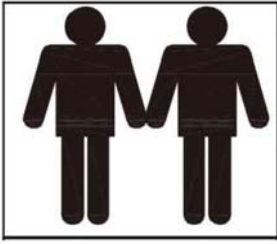


x6  
Velcro straps

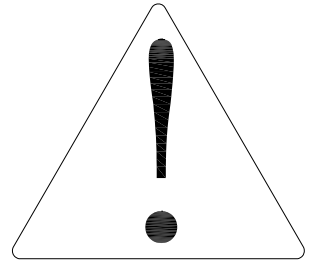
# Assembly Instruction

Note:

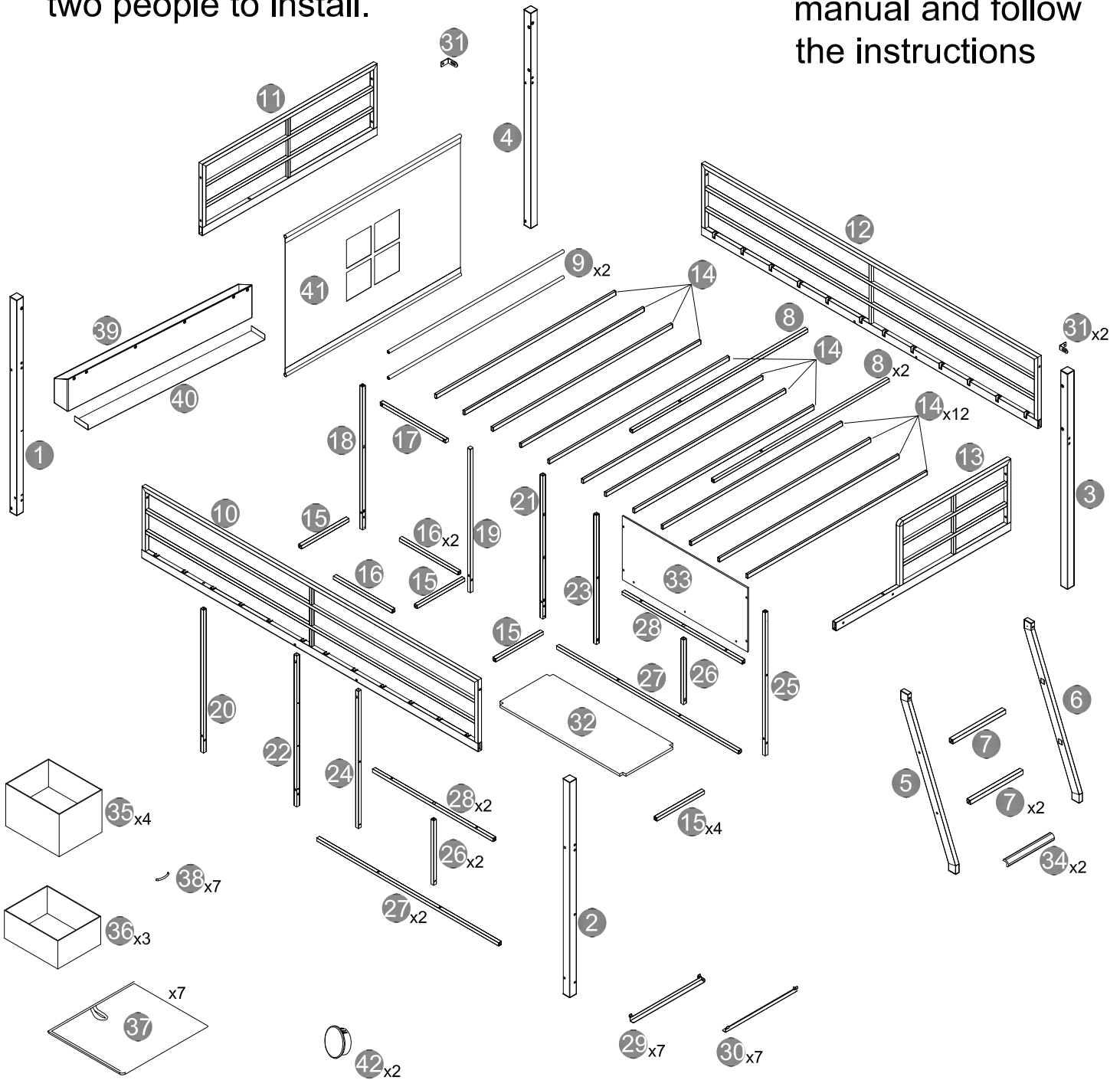
1. should be assembled on flat ground to keep balance.
2. Before completing the installation, do not tighten the screws.



It needs at least two people to install.



Before starting the assembly, you must read the whole manual and follow the instructions



# Assembly Instruction

1

Please pay attention to the direction of the hole position

B M8\*35

x4

D M6\*55

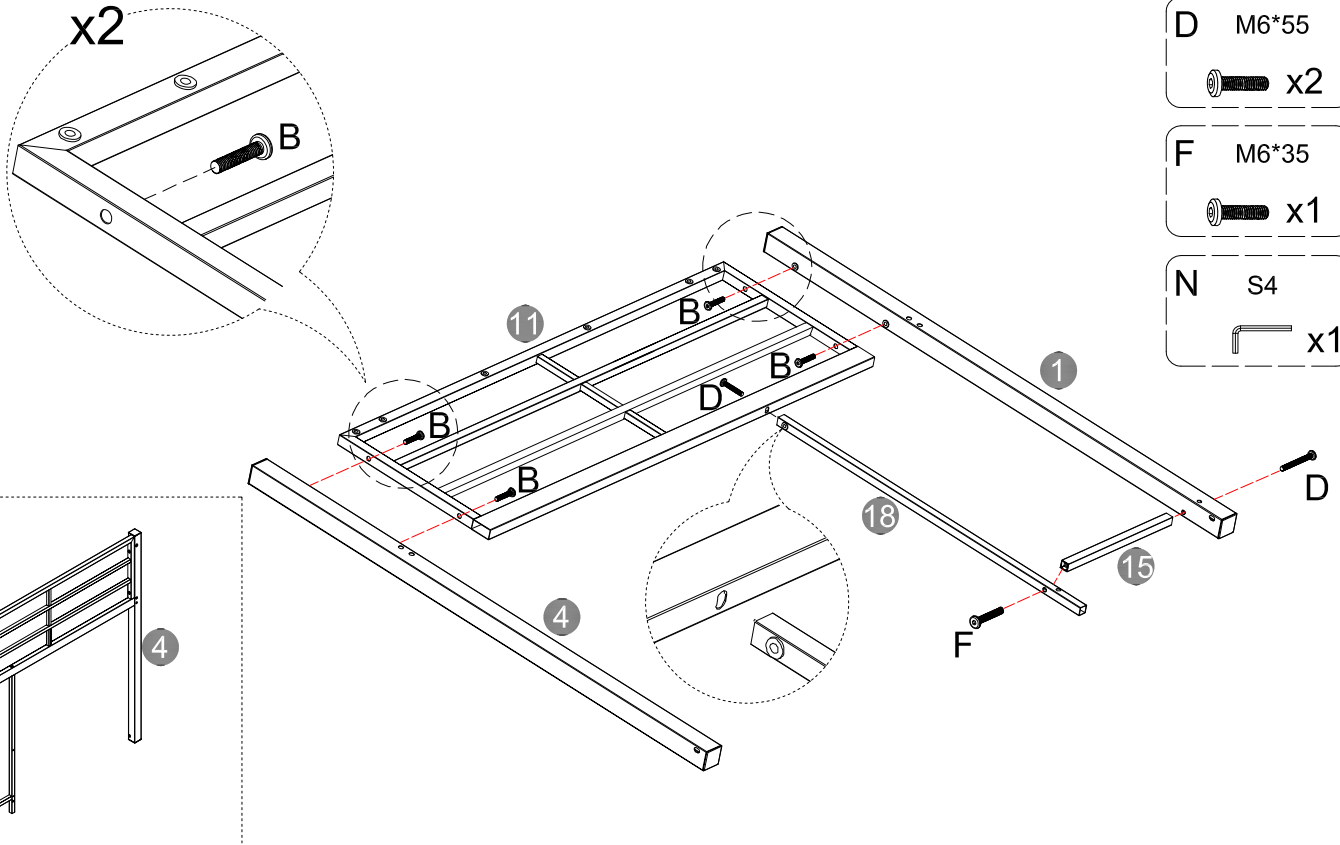
x2

F M6\*35

x1

N S4

x1



2

D M6\*55

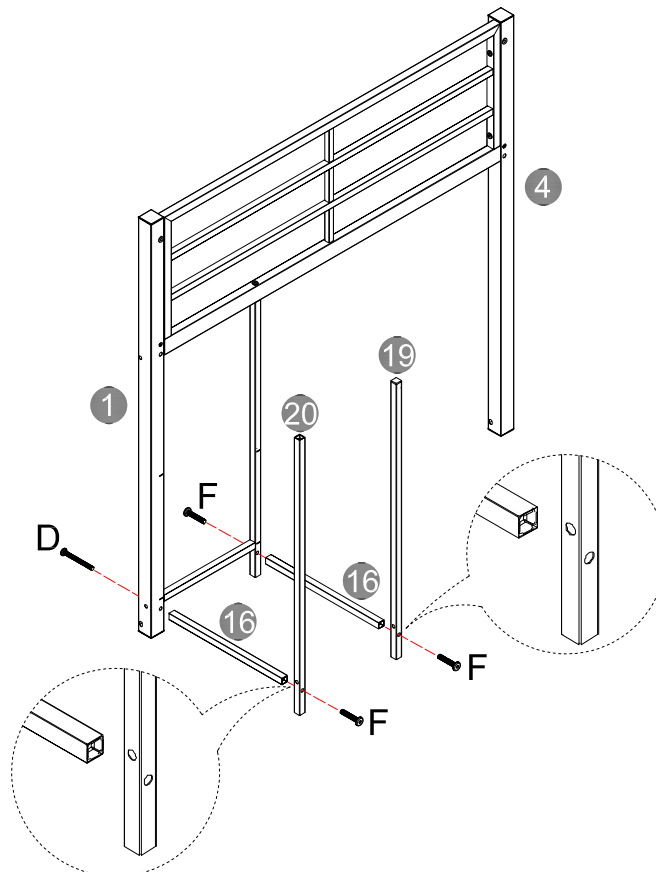
x1

F M6\*35

x3

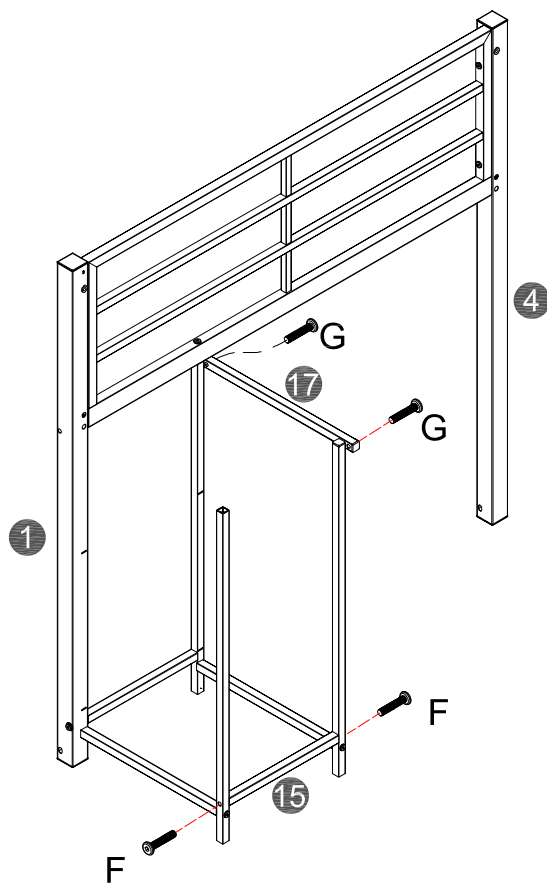
N S4



x1



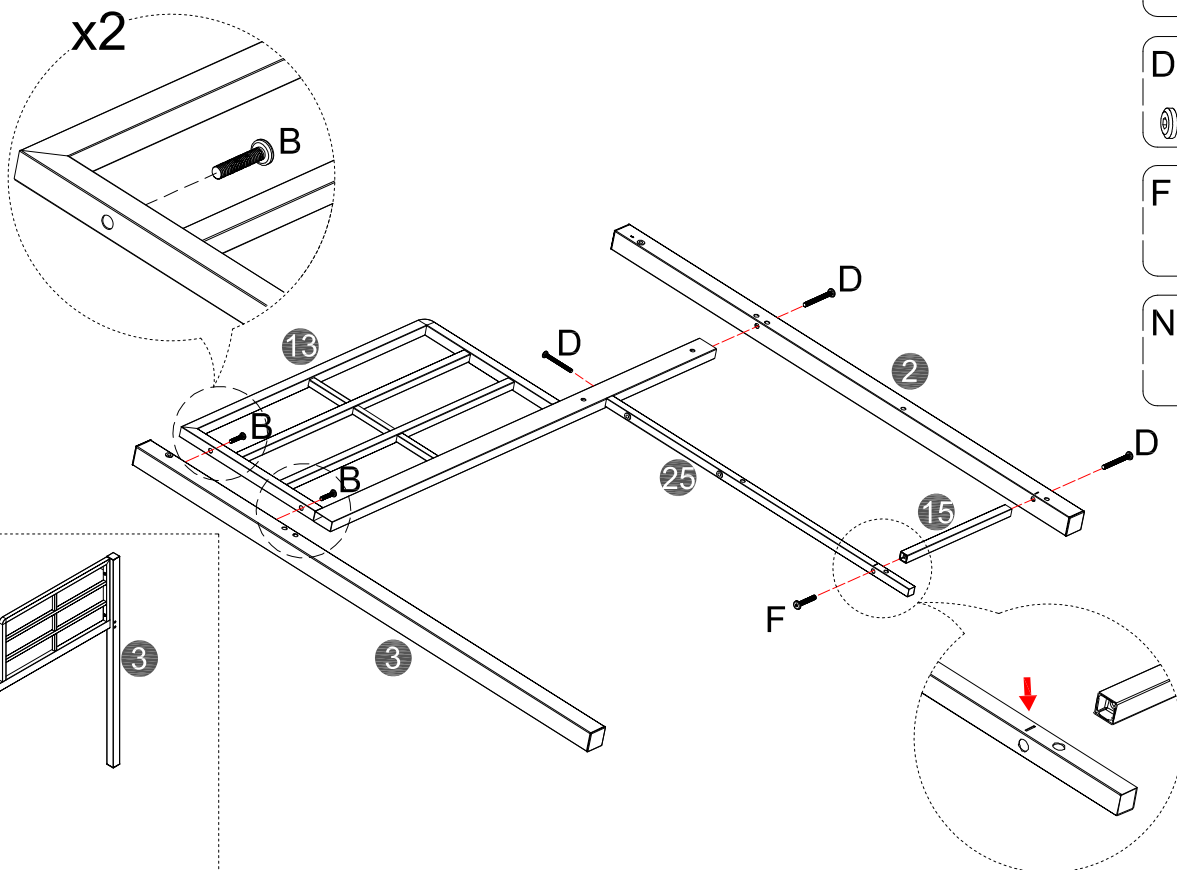
# Assembly Instruction





3



- F M6\*35  
 x2
- G M6\*28  
 x2
- N S4  
 x1

4

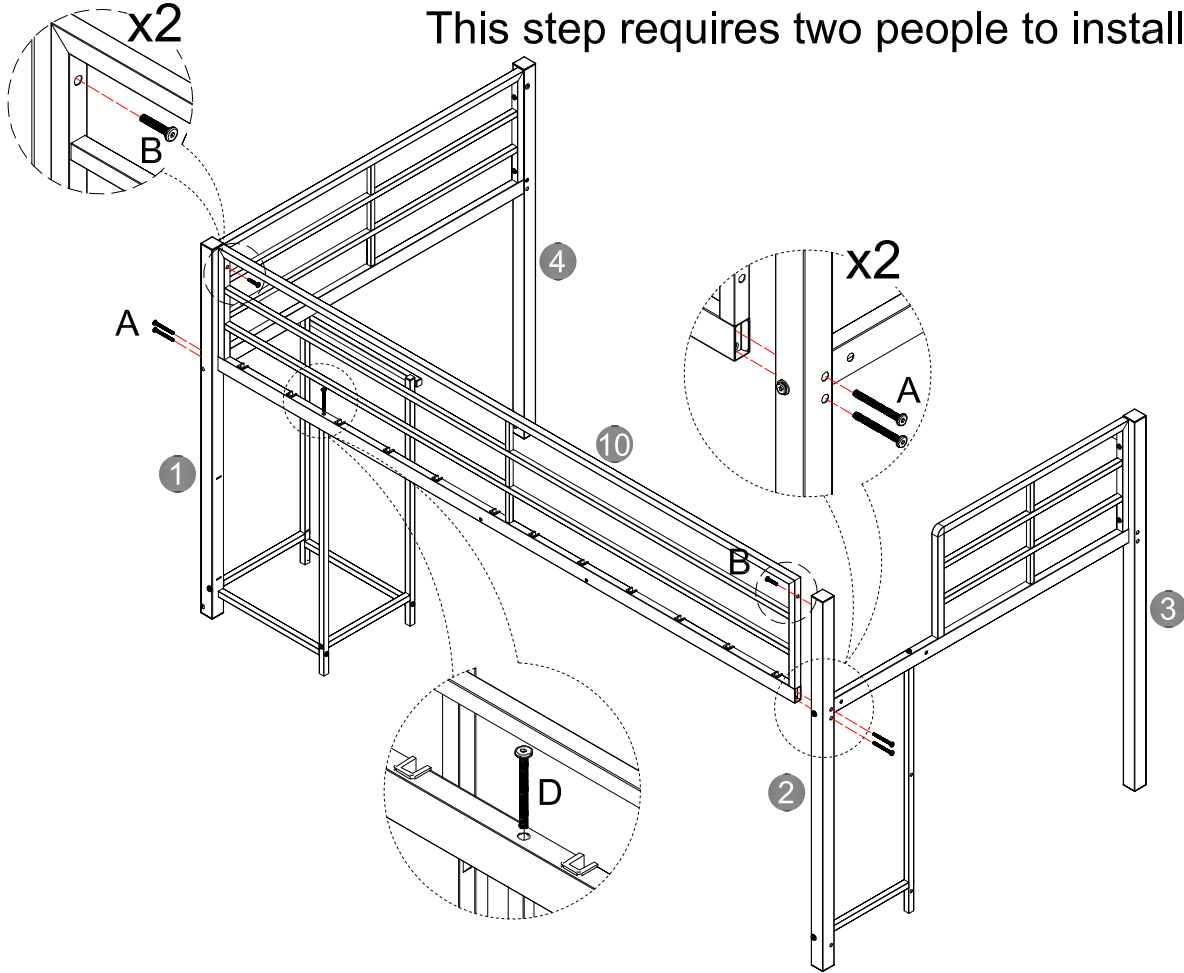






- B M8\*35  
 x2
- D M6\*55  
 x3
- F M6\*35  
 x1
- N S4  
 x1

# Assembly Instruction

5

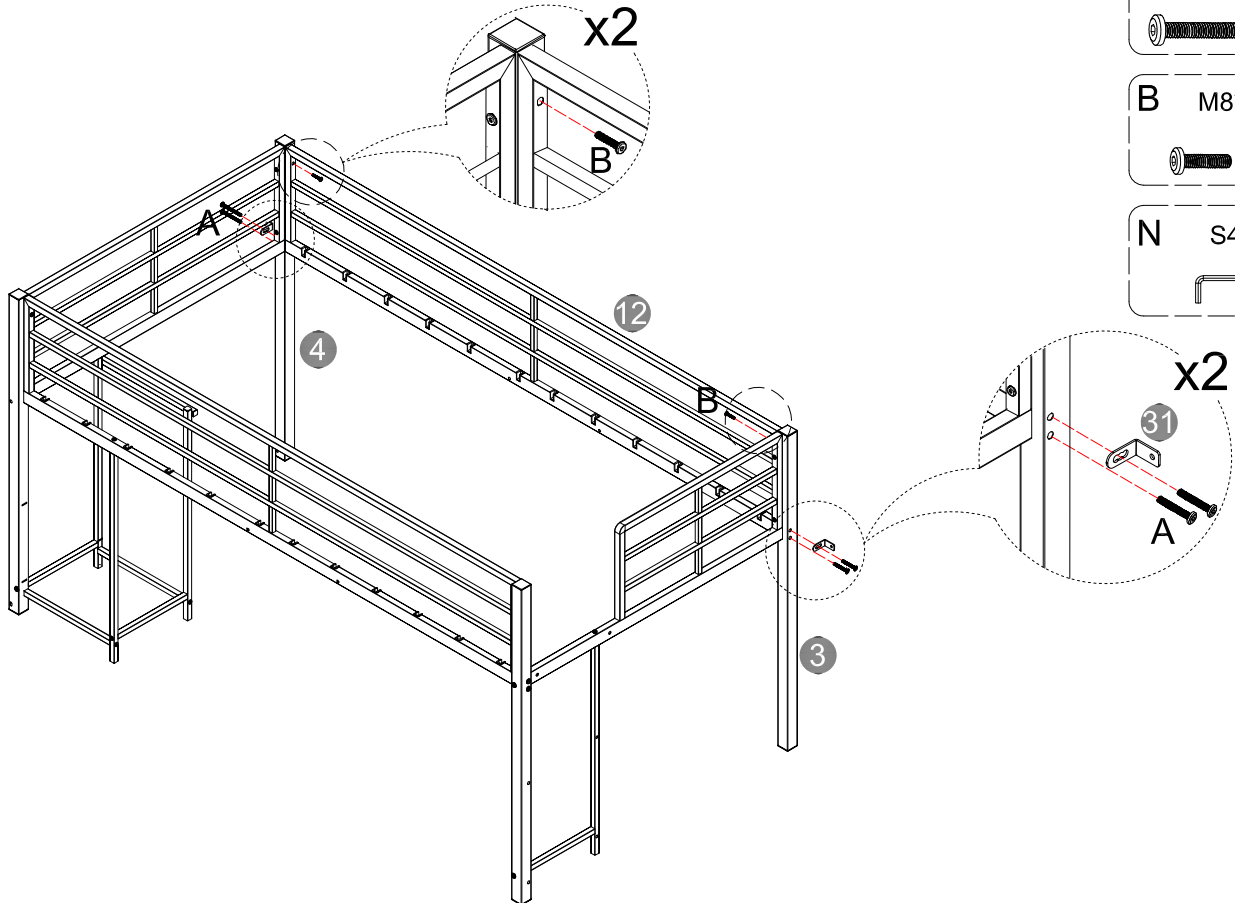
This step requires two people to install






- A M8\*55  
 x4
- B M8\*35  
 x2
- D M6\*55  
 x1
- N S4  
 x1

6

This step requires two people to install





- A M8\*55  
 x4
- B M8\*35  
 x2
- N S4  
 x1


# Assembly Instruction

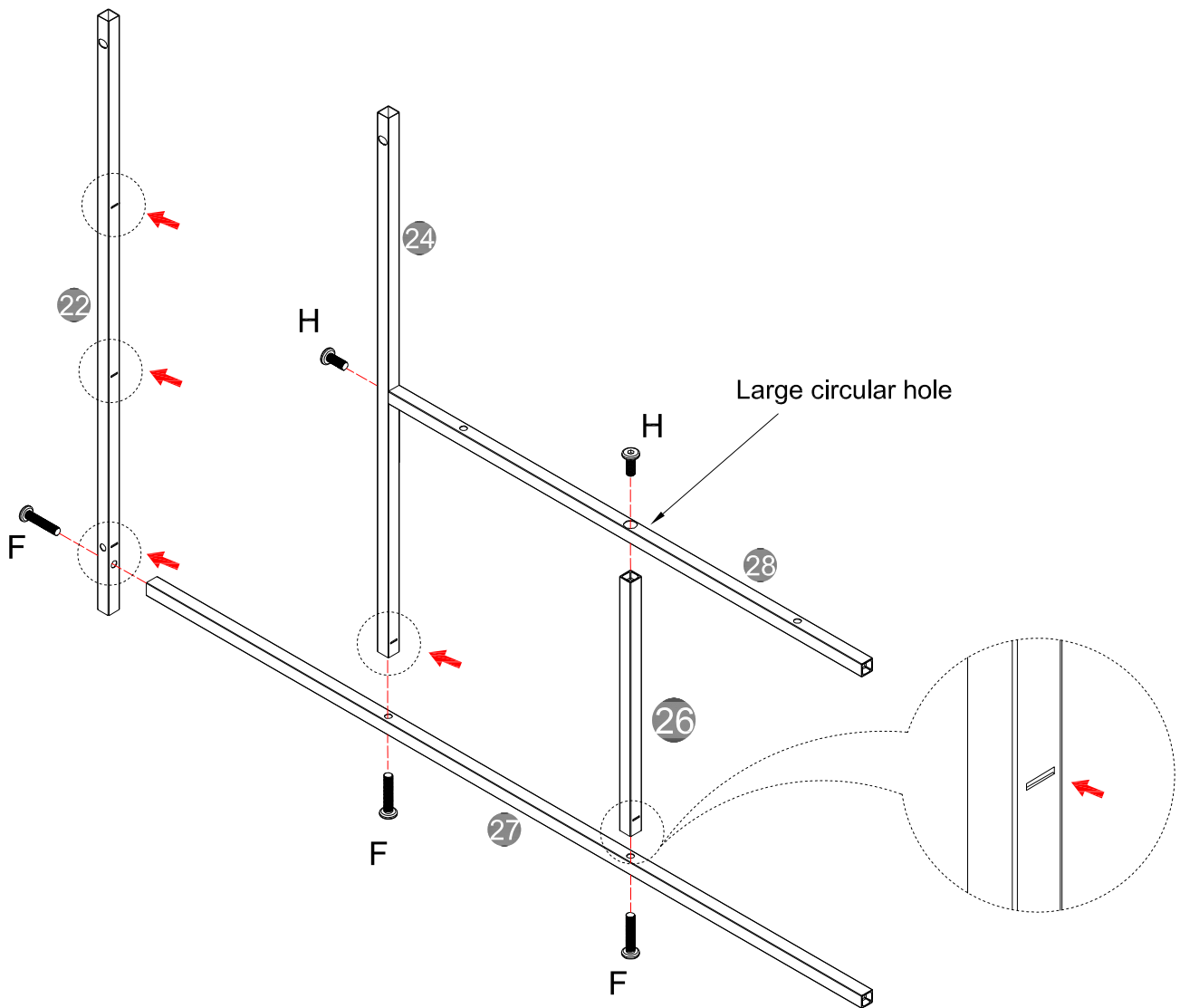
7

Please pay attention to the direction of the hole position.

F M6\*35  
 x3

H M6\*20  
 x2

N S4  
 x1






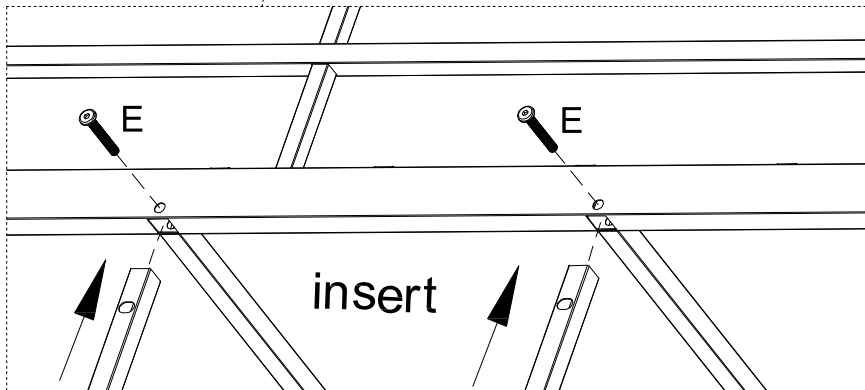
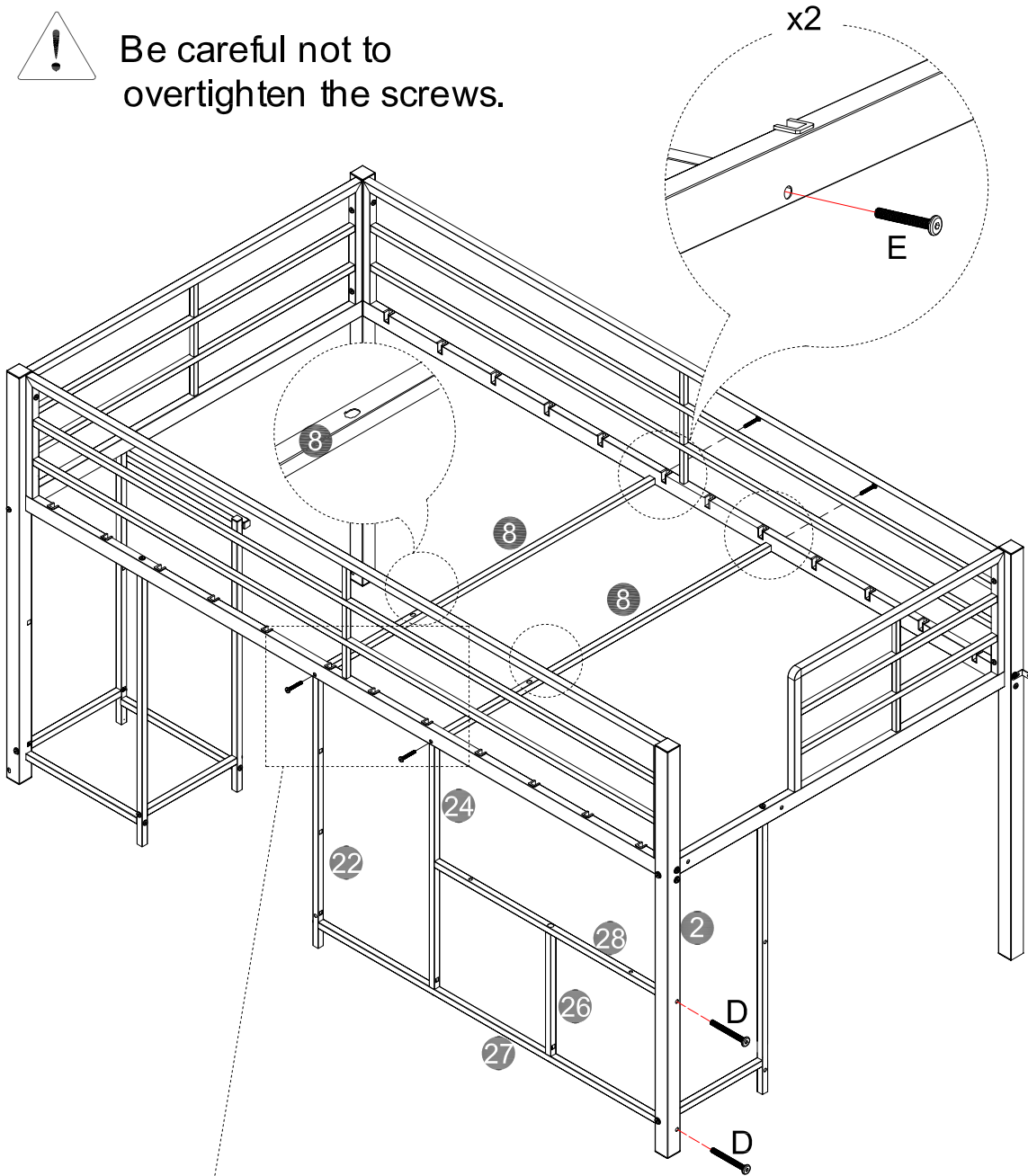
# Assembly Instruction

8



Be careful not to overtighten the screws.

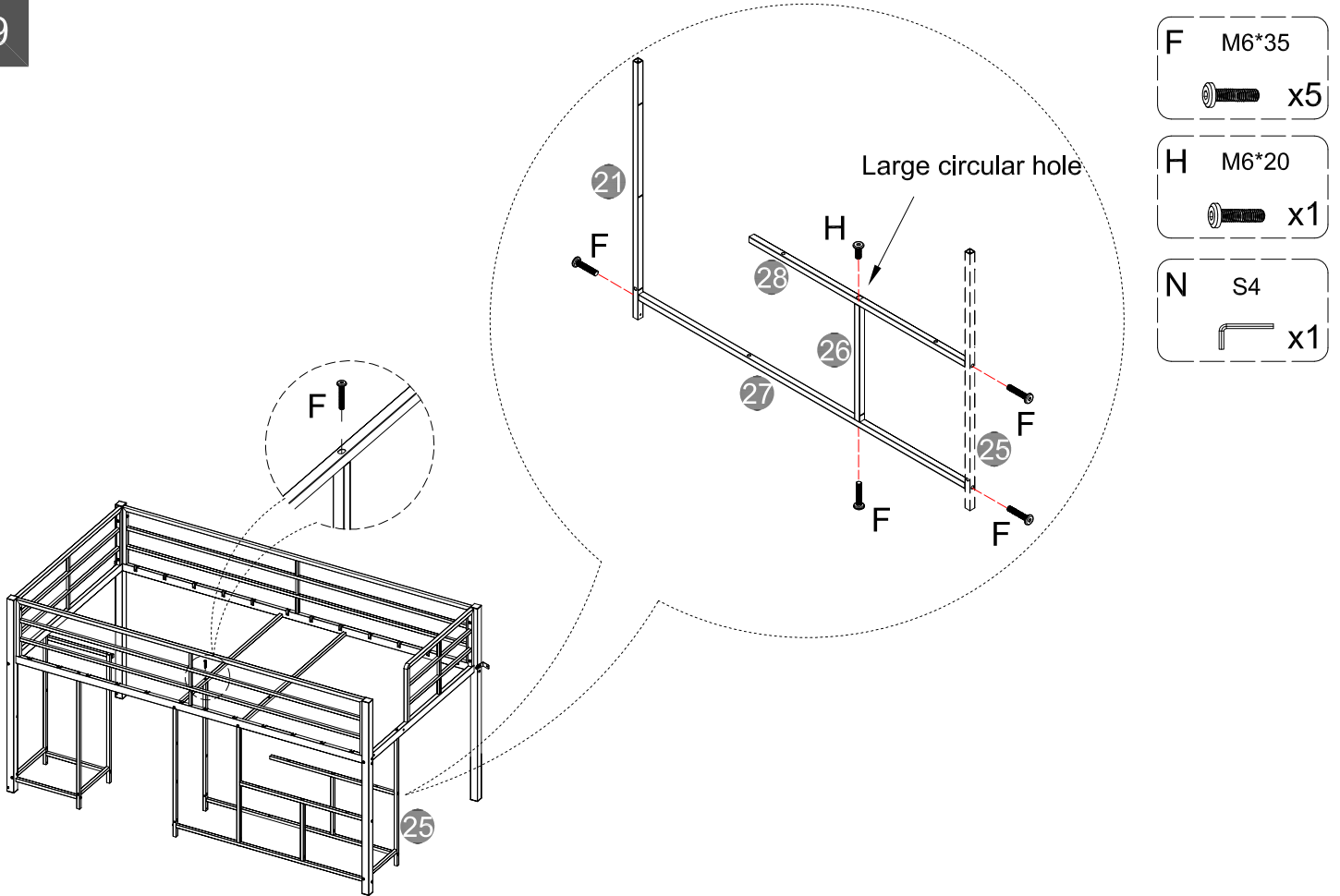
- D M6\*55  
 x2
- E M6\*45  
 x4
- N S4  
 x1



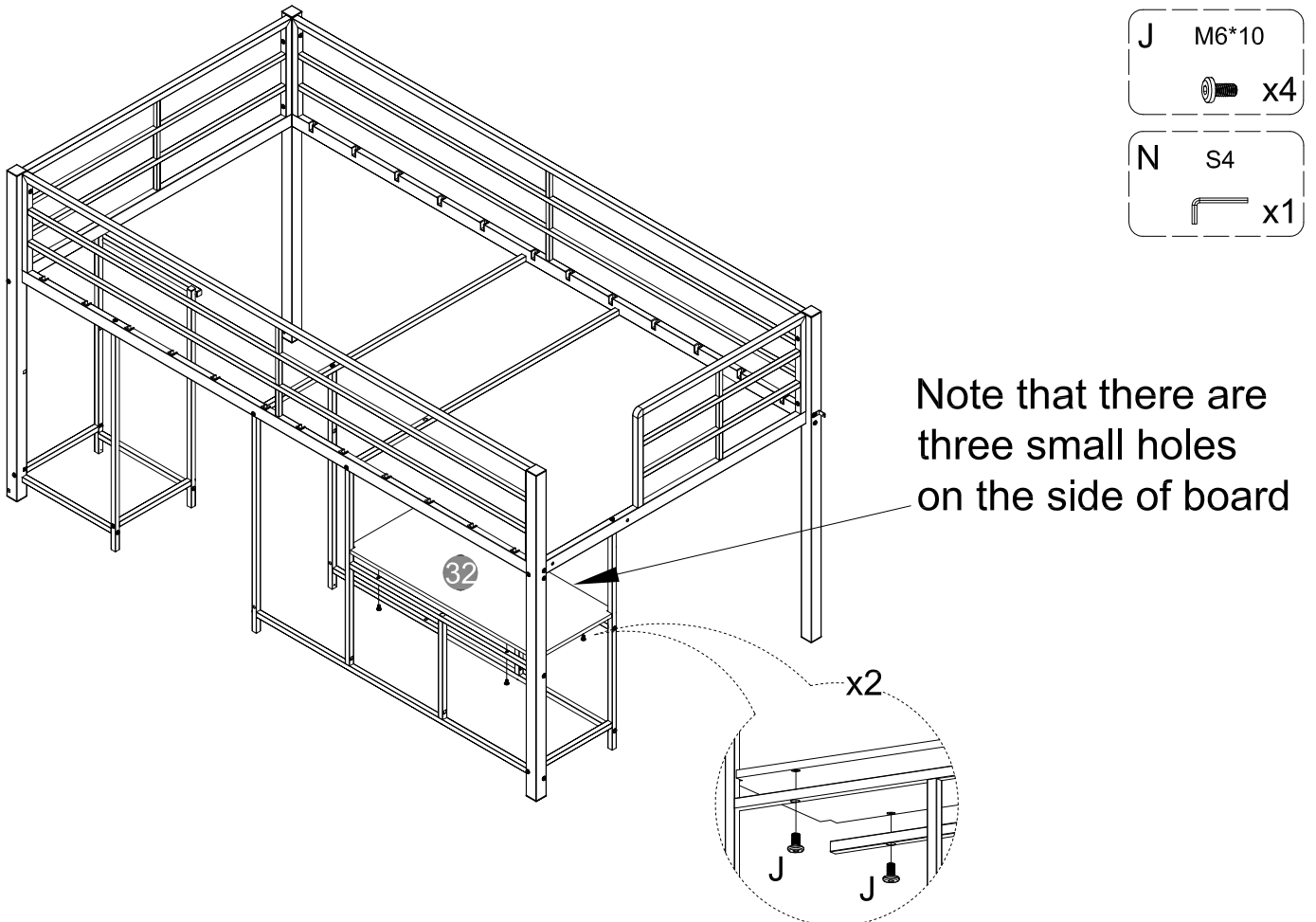
Please pay attention to the direction of the hole position.

# Assembly Instruction

9

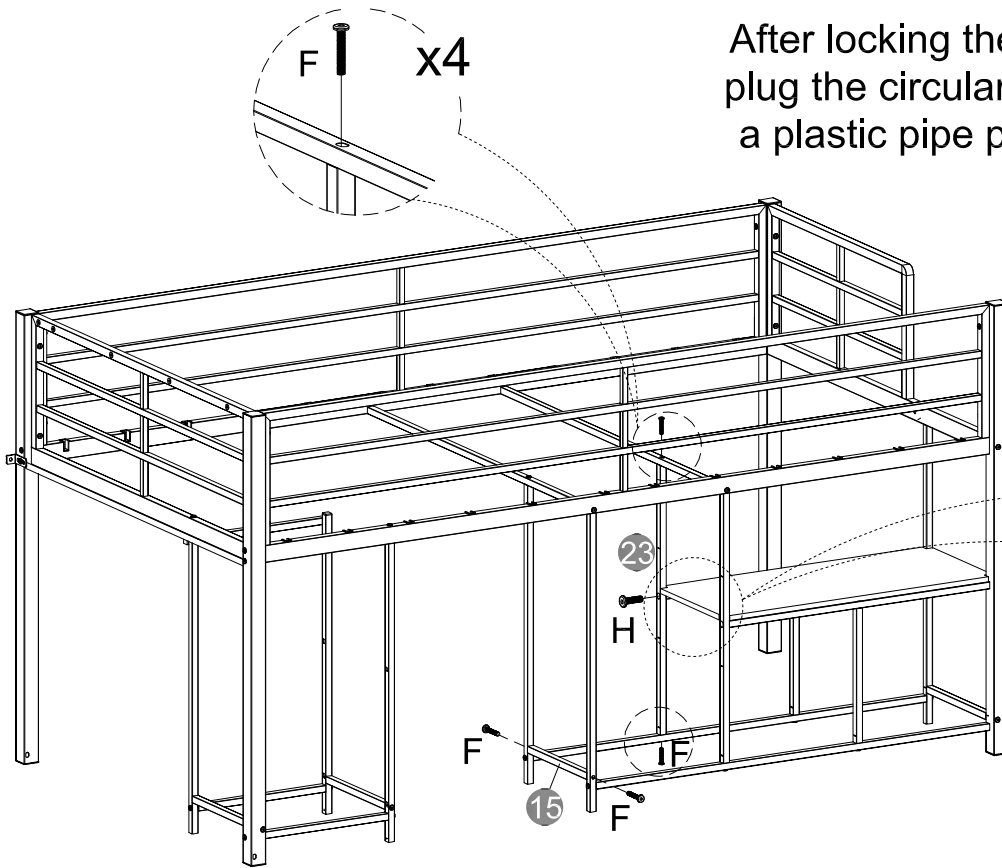


10



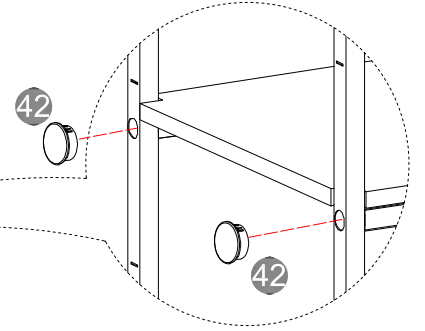
# Assembly Instruction

11

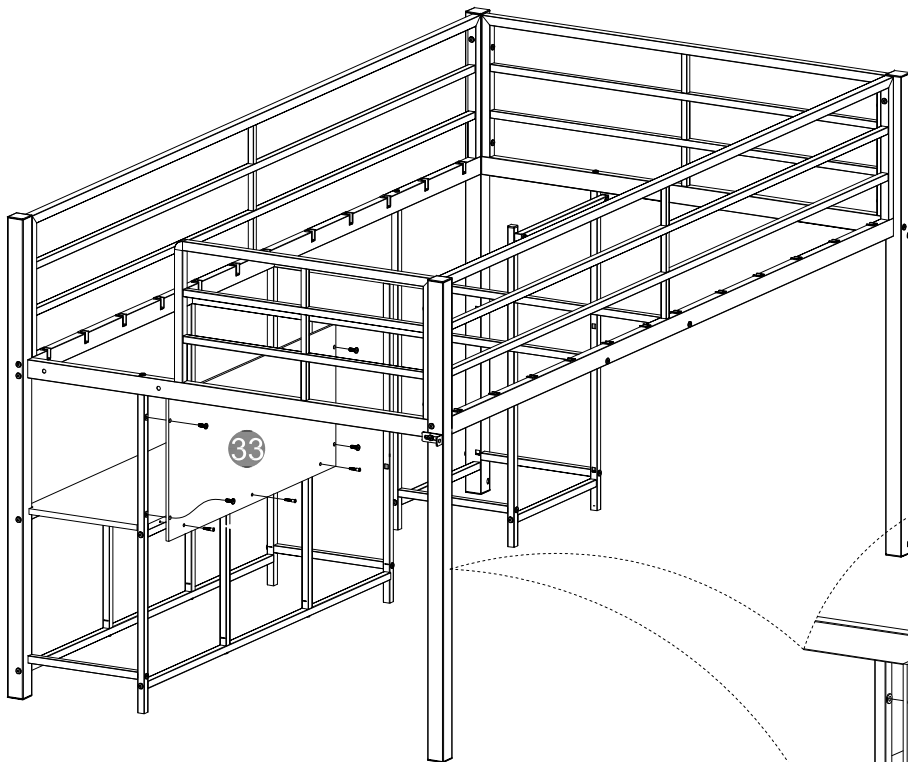


After locking the screws,  
plug the circular hole with  
a plastic pipe plug

- F M6\*35  
x4
- H M6\*20  
x1
- N S4  
x1

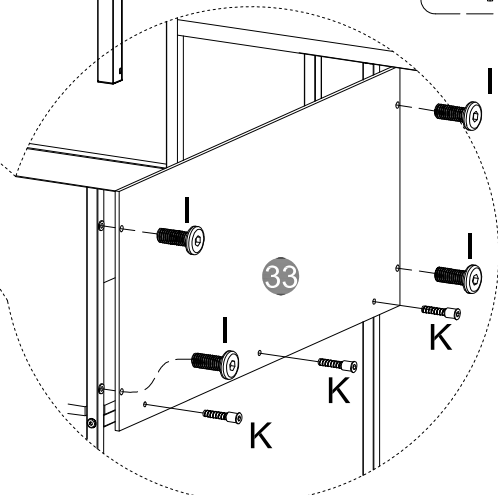


12



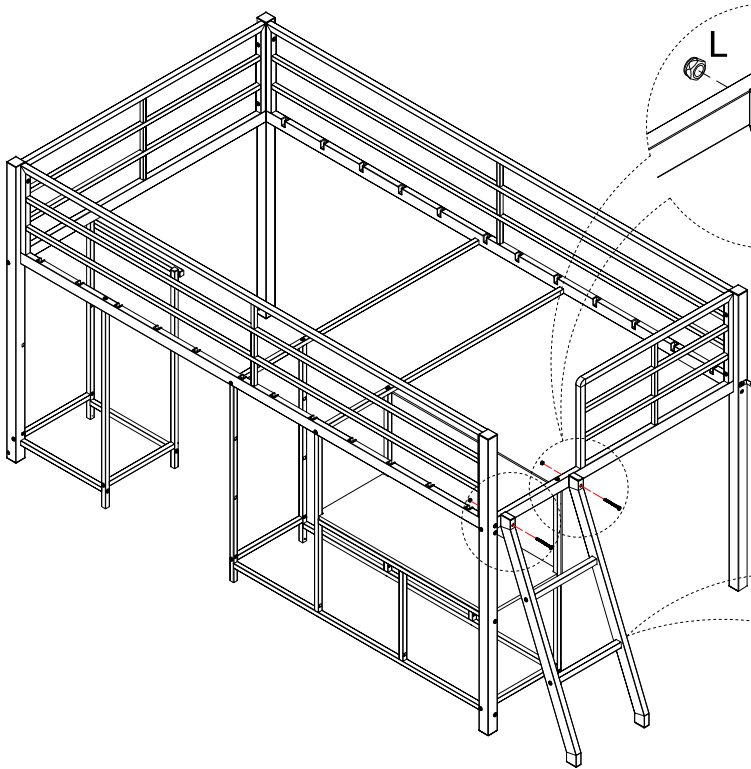
After aligning the hole bits, it is locked.

- I M6\*15  
x4
- K Ø5\*35  
x3
- N S4  
x1
- O S3  
x1



# Assembly Instruction

13

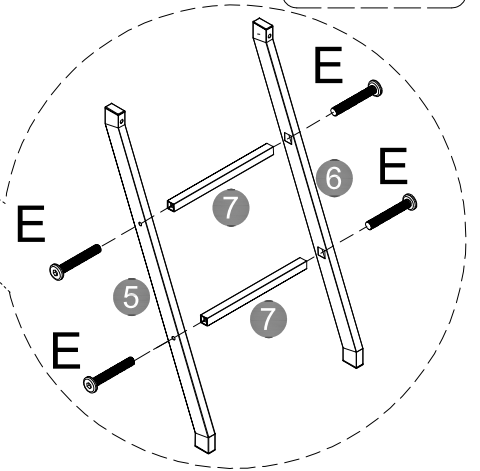


C M6\*70  
x2

E M6\*45  
x4

L M6  
x2

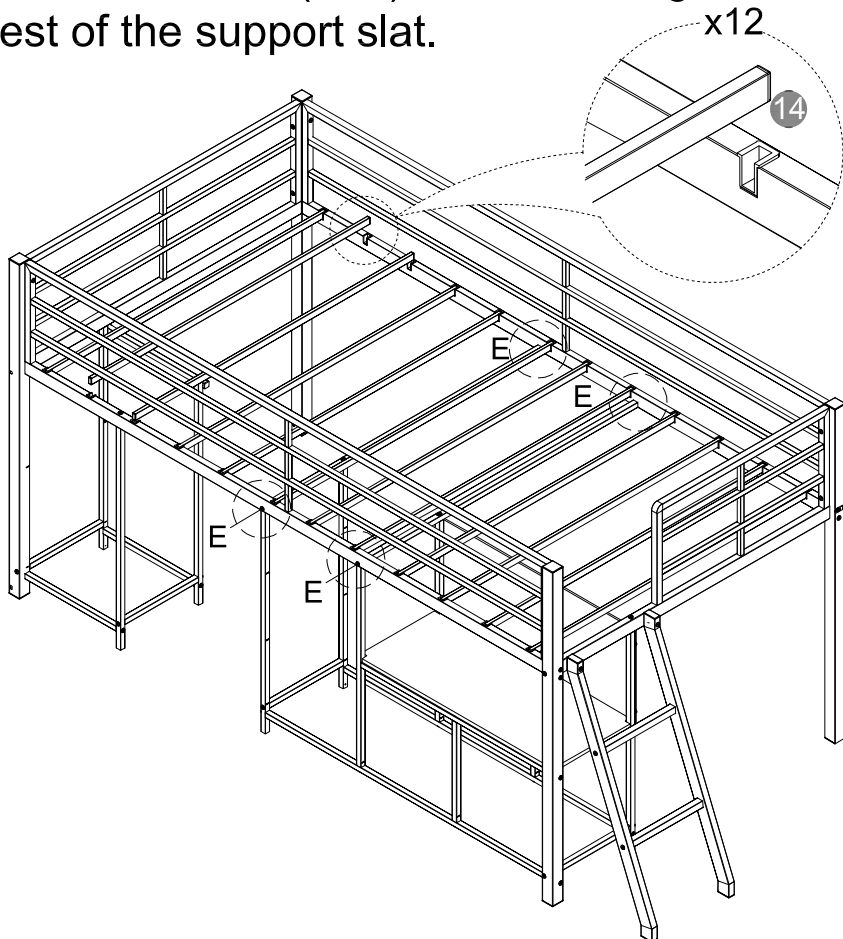
N S4  
x1



14

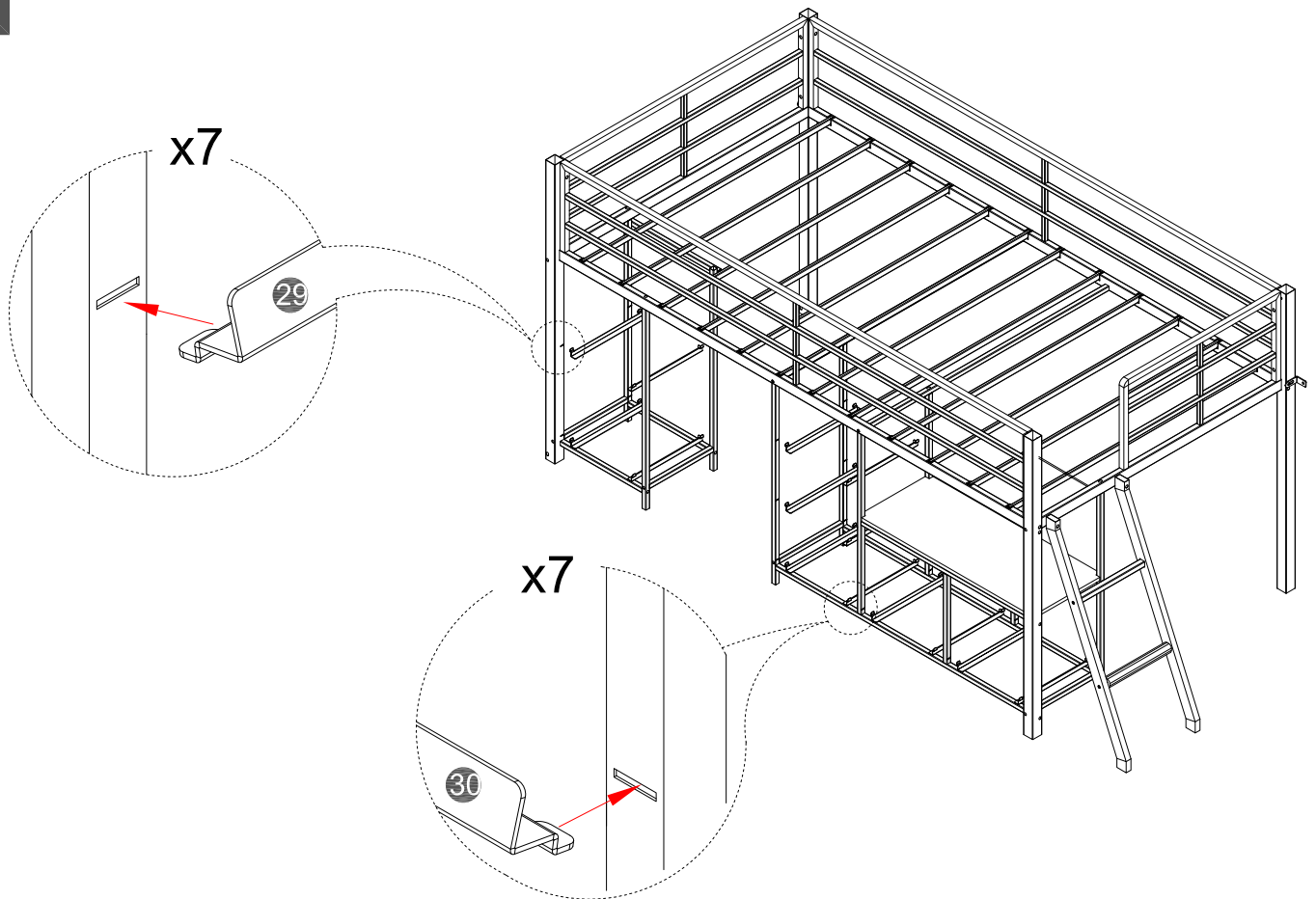


Tighten the screws (Ex4) after installing the rest of the support slat.

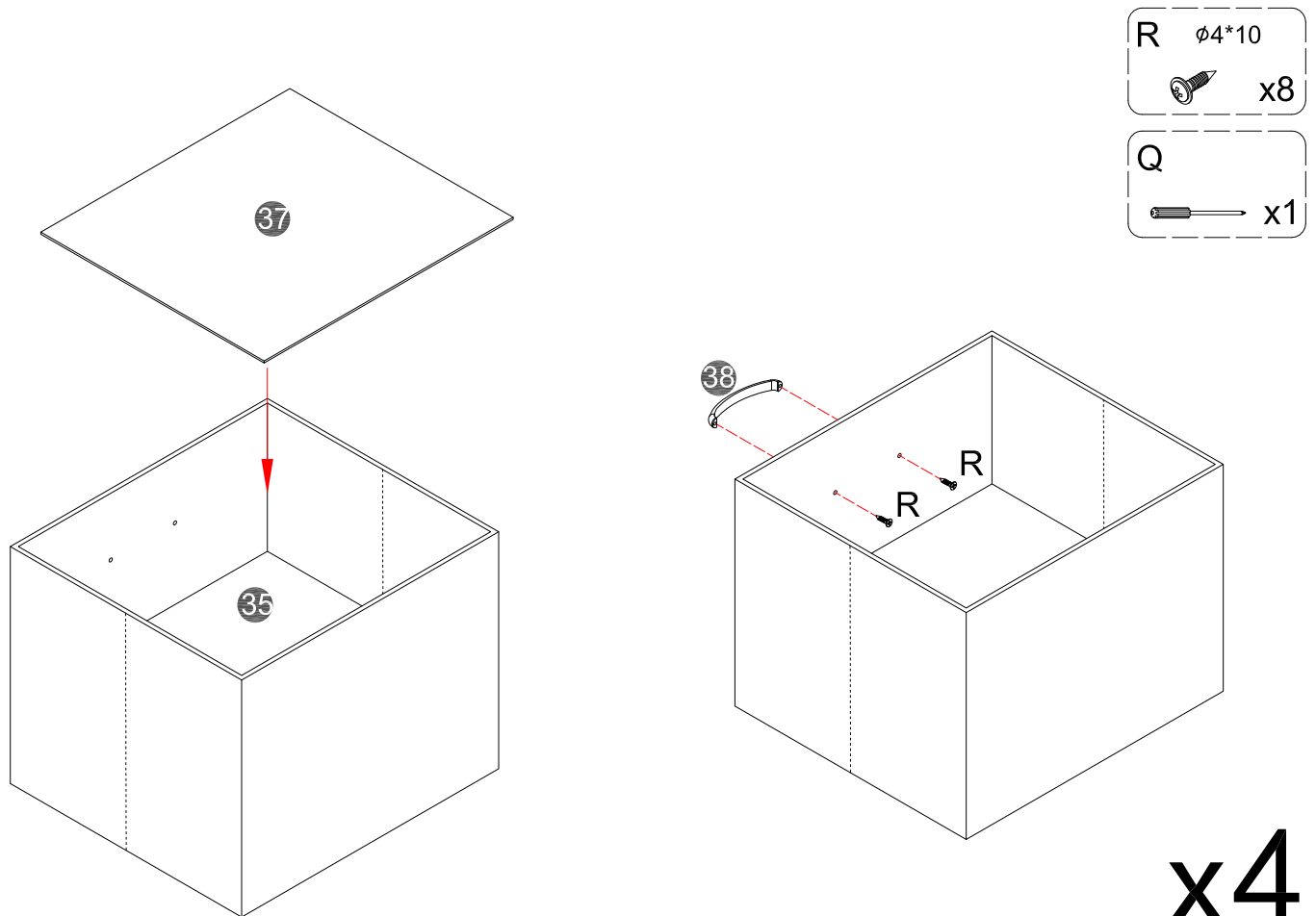


# Assembly Instruction

15

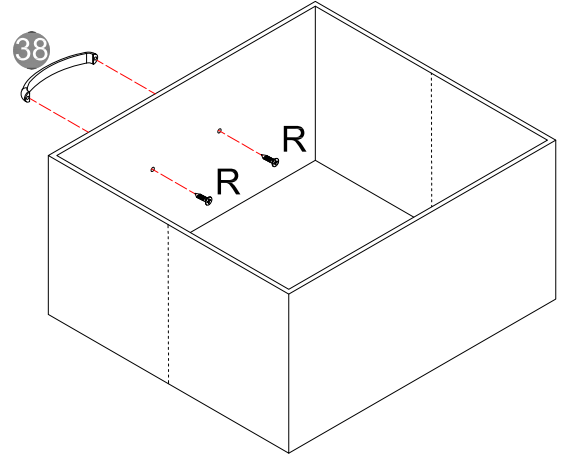
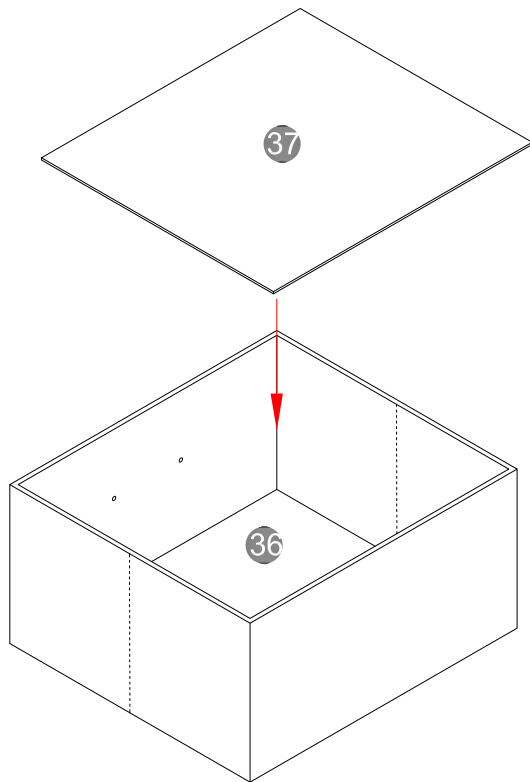



16




# Assembly Instruction

17

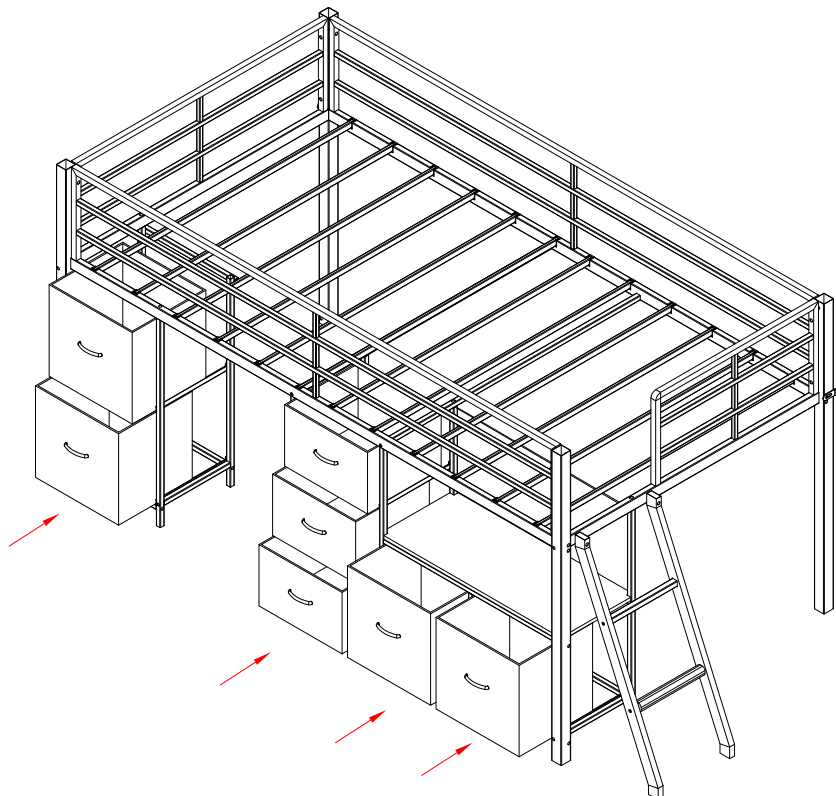


R  $\phi 4 \times 10$   
 x6

Q  
 x1

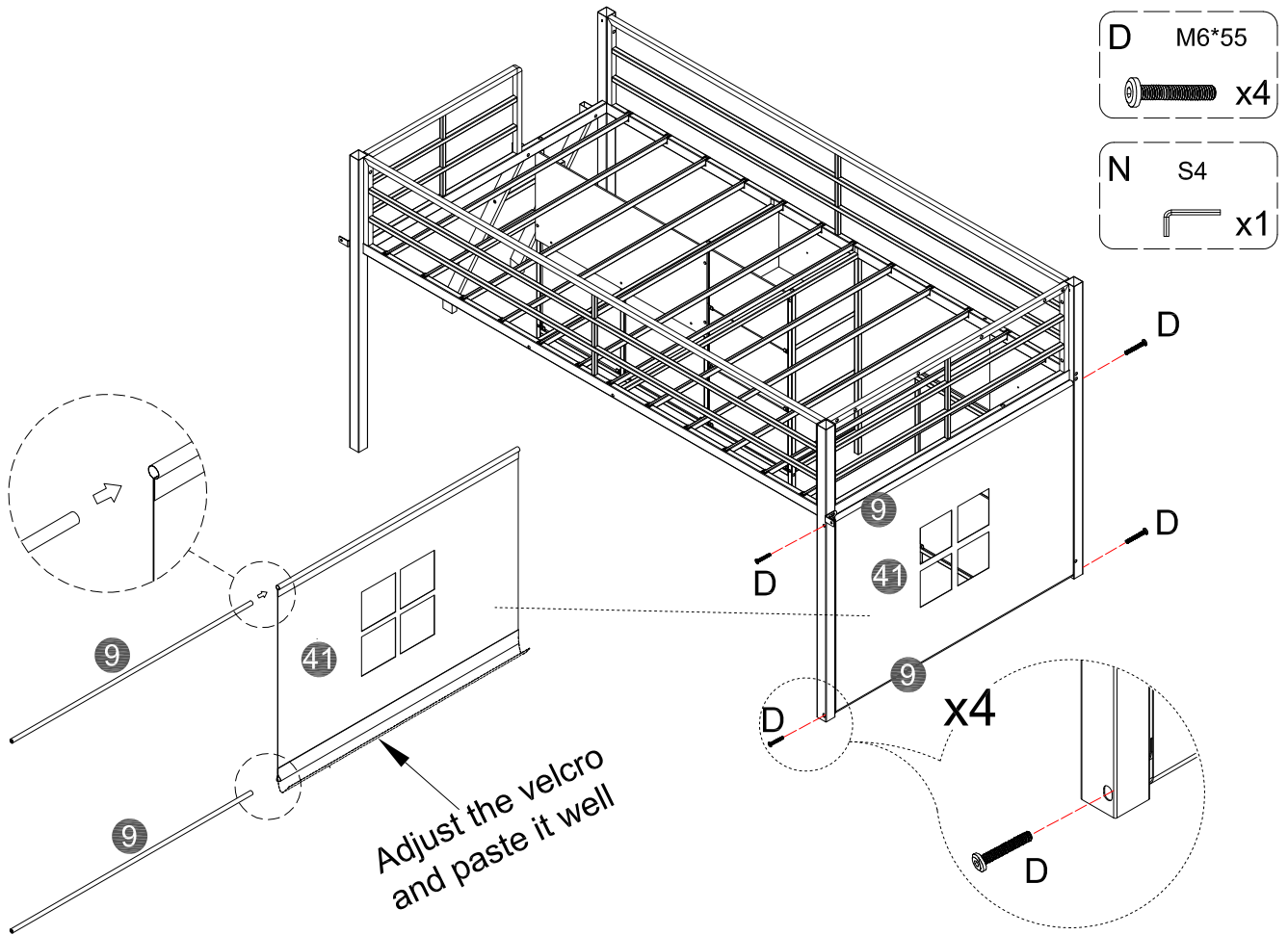
x3

18

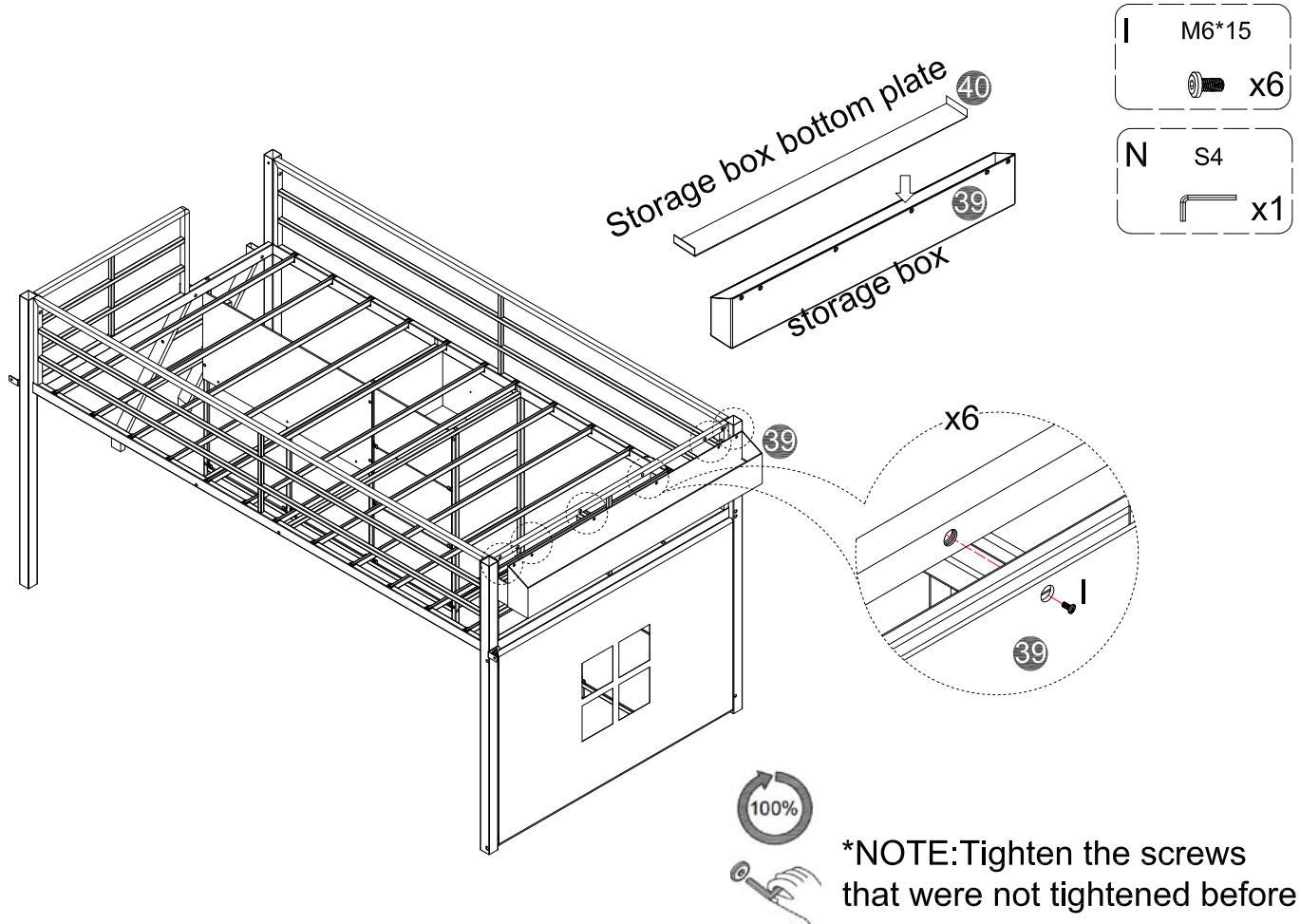


# Assembly Instruction

19

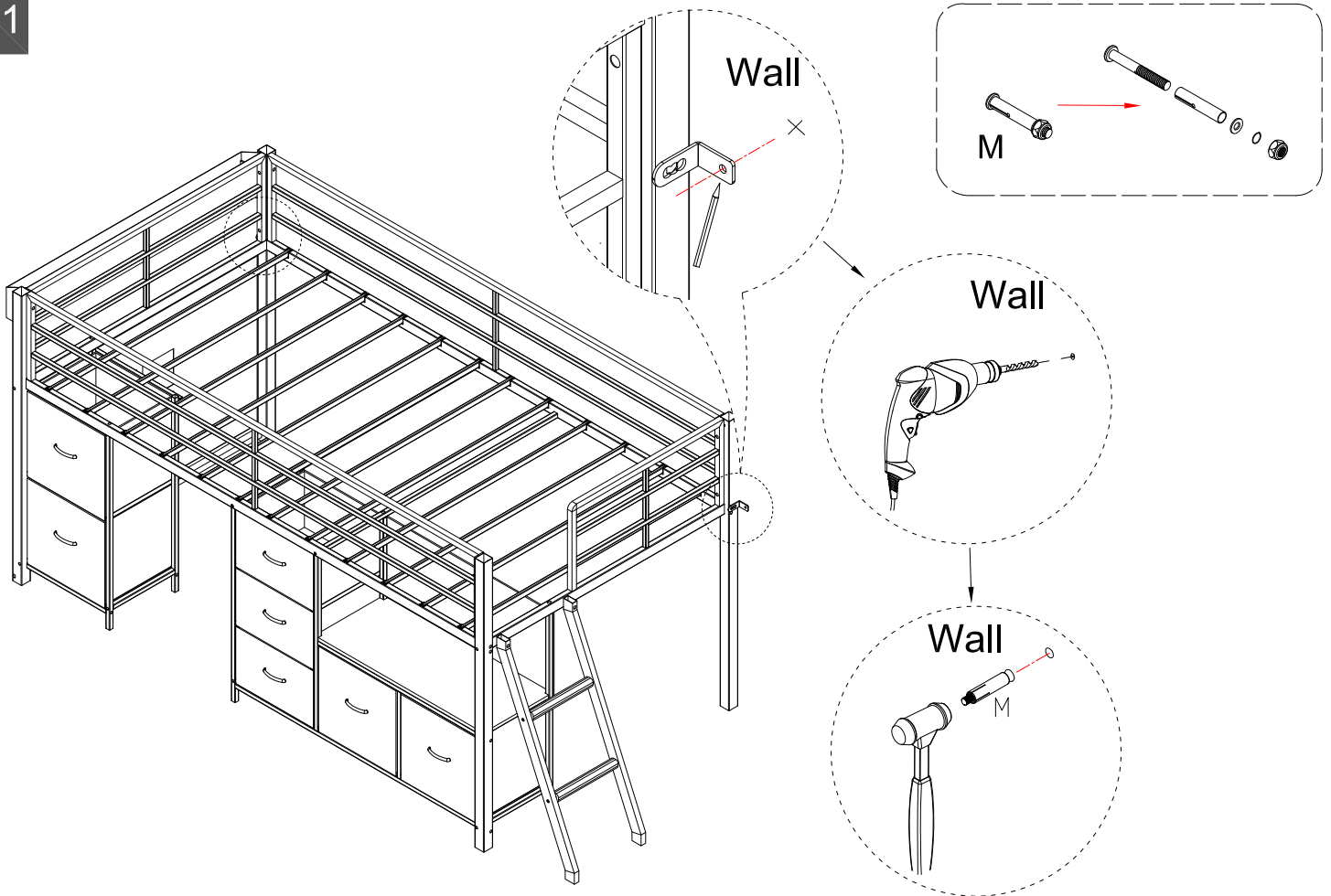


20

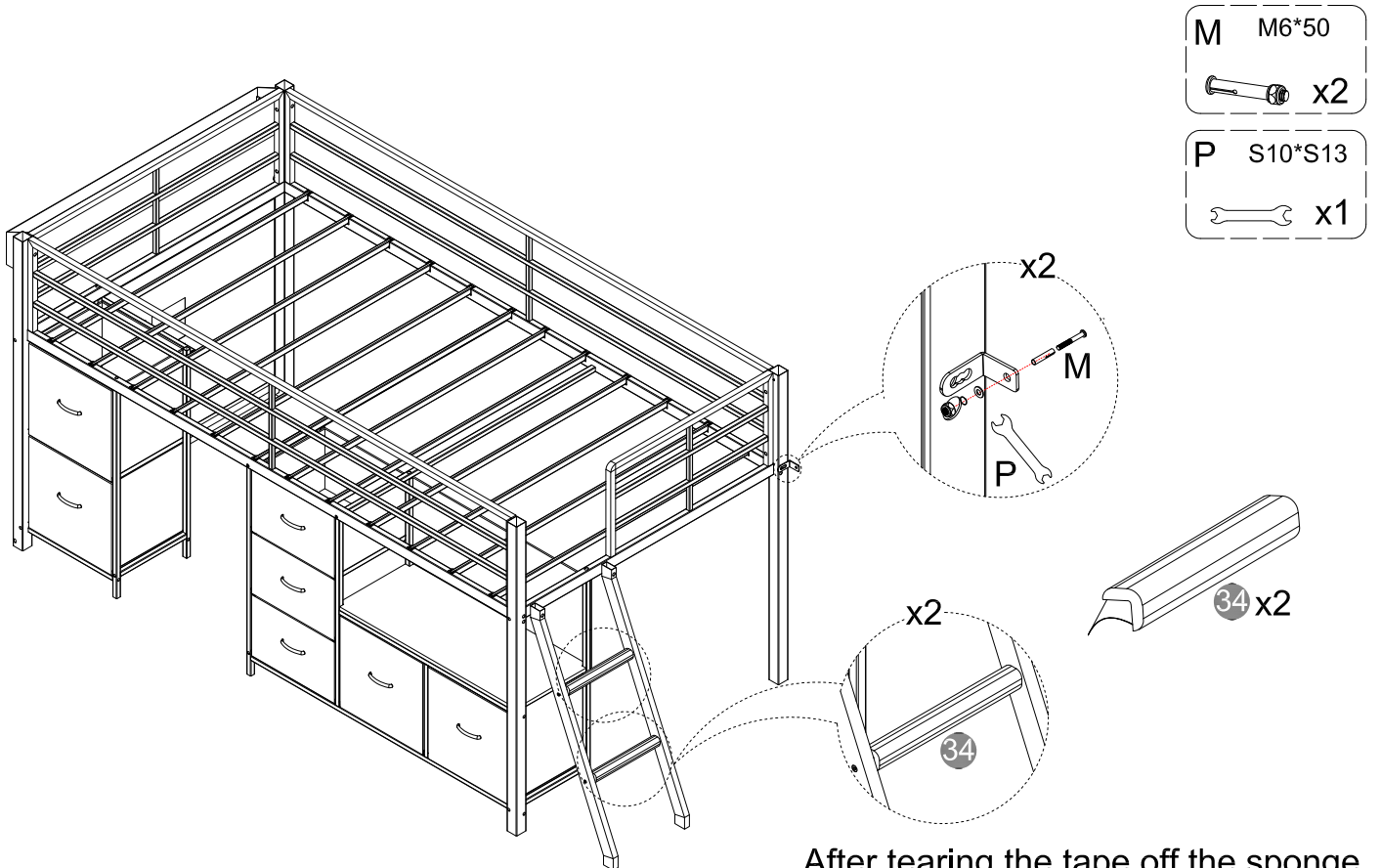


# Assembly Instruction

21



22



After tearing the tape off the sponge, attach the sponge to the stair tube

# Assembly Instruction

23

## DIY LED

