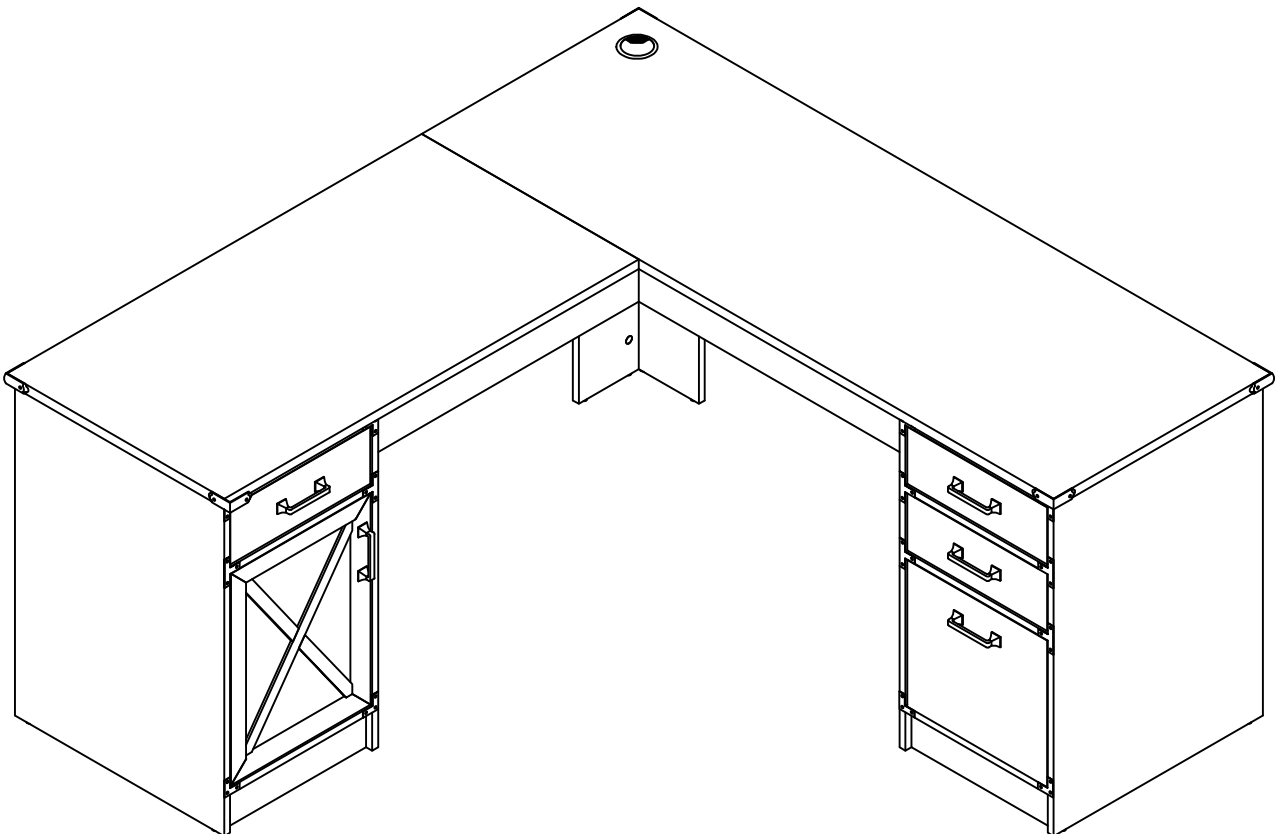


# ASSEMBLY INSTRUCTIONS

## Important Safety Instructions:

- Please read all instructions before beginning assembly
- Please make sure receive all the parcels to start the assembly
- For your safety and convenience, assembly by two people is recommended
- Use the parts and hardware lists to identify and separate each of the components included
- Save all packing materials until assembly is completed to avoid the accidental discarding of smaller parts or hardware
- Use of power tools is not recommended



THANK YOU FOR PURCHASING

# PARTS LIST

1 X1

2 X1

3 X1

4 X1

5 X1

6 X1

7 X13

8 X2

9 X1

10 X2

11 X1

12 X3

13 X3

14 X3

15 X3

16 X3

17 X1

18 X1

19 X1

20 X1

21 X1

22 X1

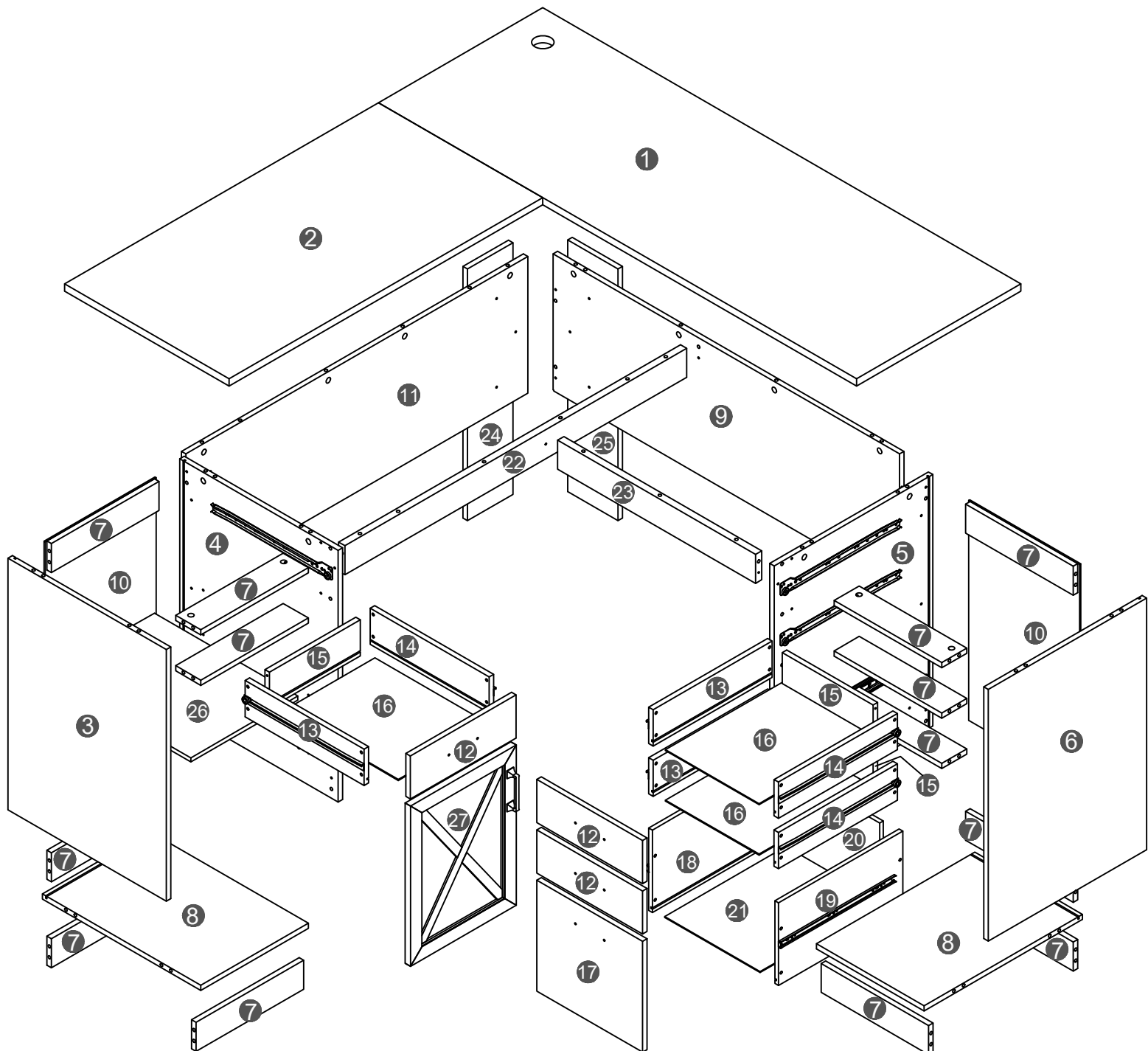
23 X1

24 X1

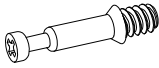


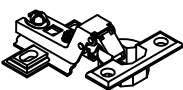


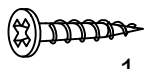

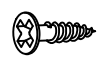

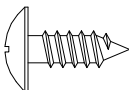
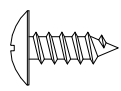
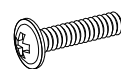
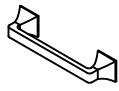
25 X1

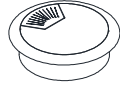
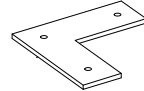
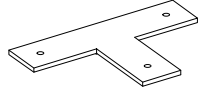
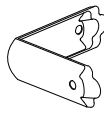

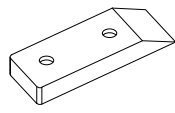
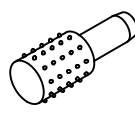

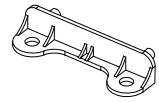
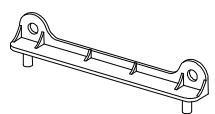
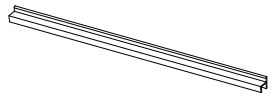
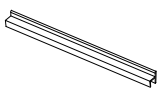
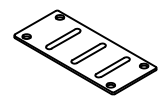
26 X1

27 X1



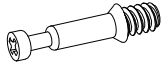
# HARDWARE LIST

Name	Part	Qty.	Spare
A		58	1
B		58	1
C		61	1
D		2	
E	 2" Screw	10	
F	 1-1/2" Screw	16	1
G	 1-1/6" Screw	6	
H	 5/8" Screw	2	
I	 9/16" Screw	8	1
J		1	
K	 9/16" Screw	24	1
L	 1/2" Screw	16	1
M	 9/16" Screw	10	1
N		5	

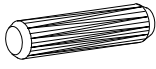
Name	Part	Qty.	Spare
O		1	
P		8	
Q		6	
R		5	
S	 2/3" nail	52	4
T		1	
U		4	
V		11	
W		6	
X		2	
Y		2	
Z		1	
AA		2	
AB			

# STEP 1

**A** x16pcs



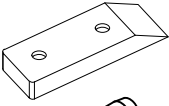
**C** x4pcs



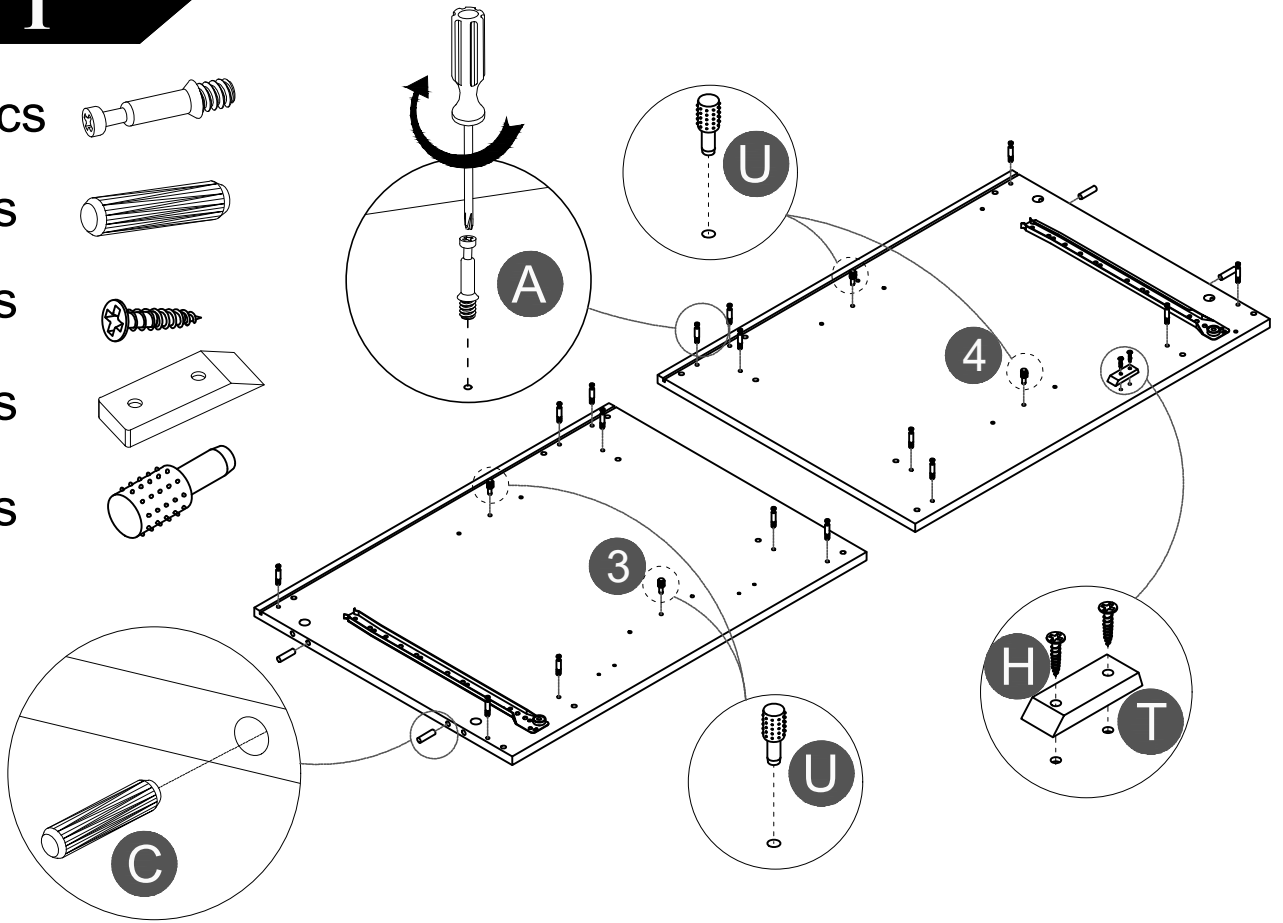
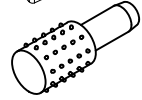
**H** x2pcs



**T** x1pcs

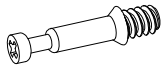


**U** x4pcs

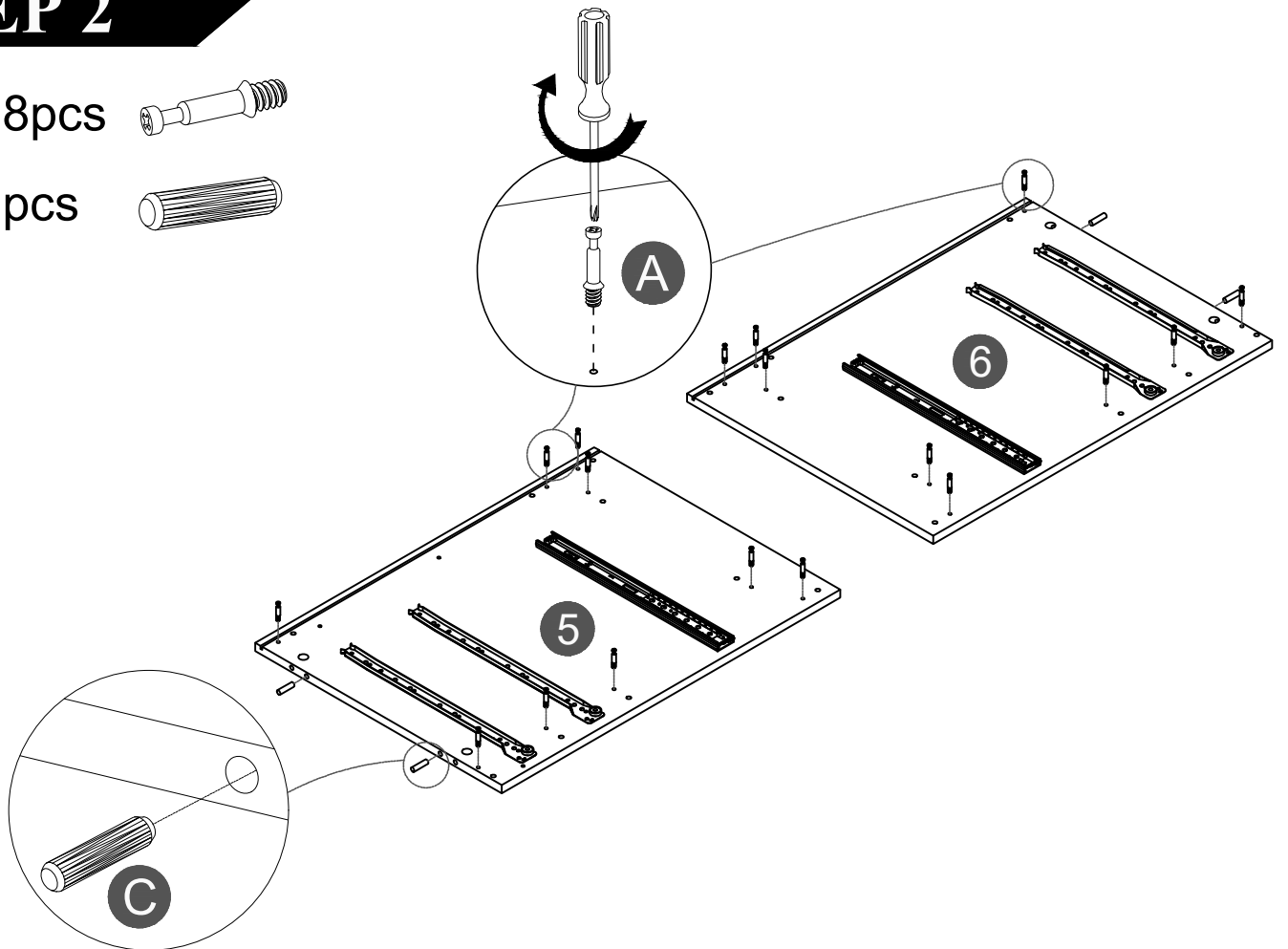
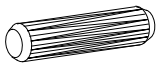


# STEP 2

**A** x18pcs



**C** x4pcs



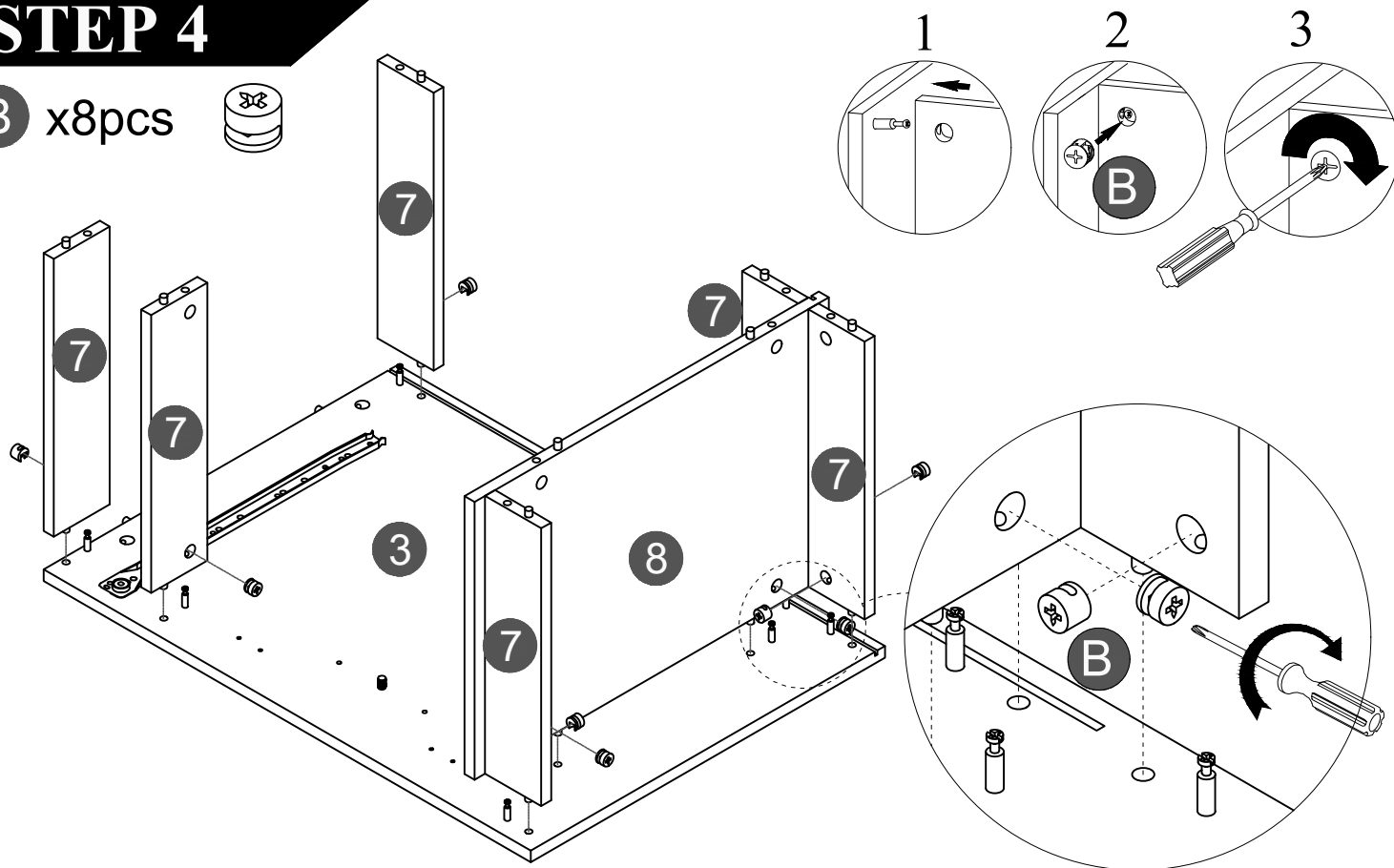
# STEP 3

**C** x34pcs 



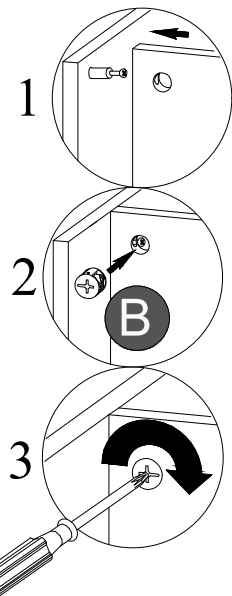
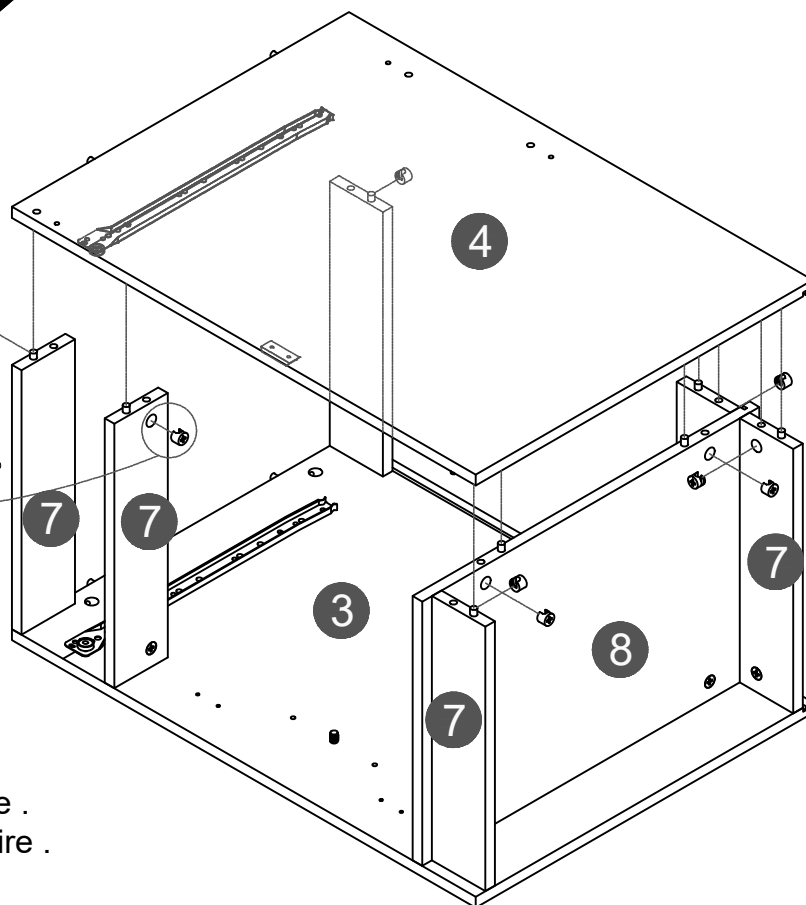
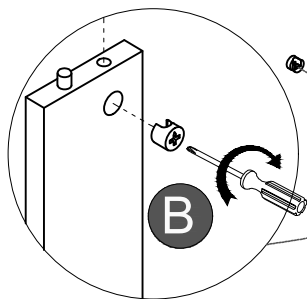
# STEP 4

**B** x8pcs 



# STEP 5

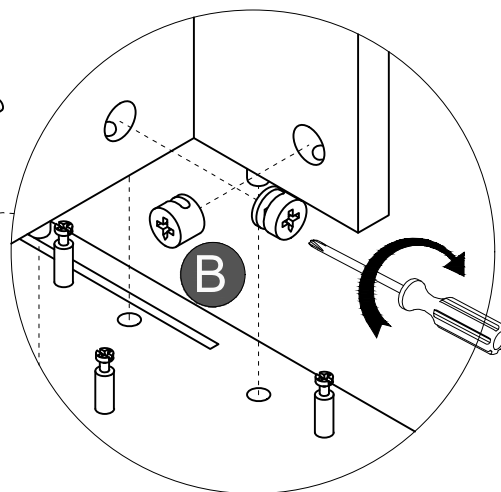
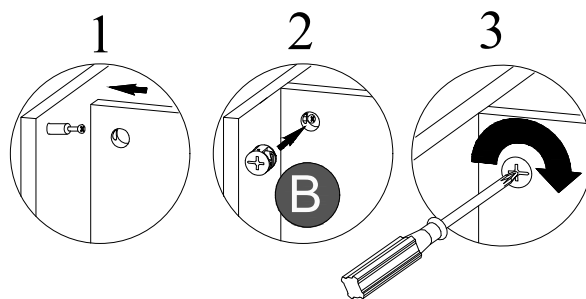
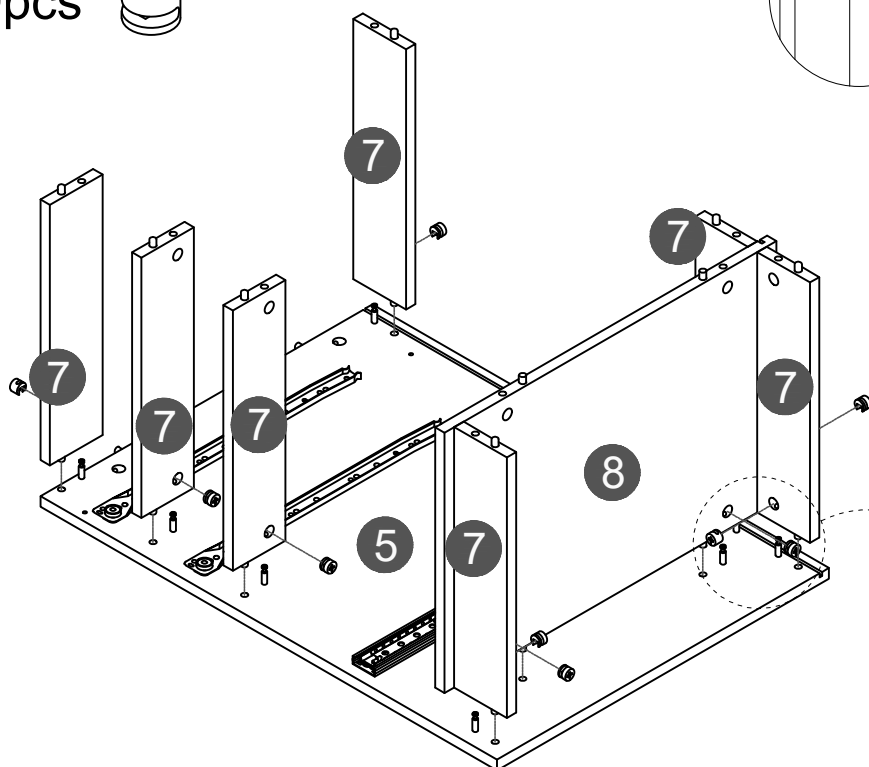
**B** x8pcs



An assistant is required .  
Es necesario un ayudante .  
Un assistant est necessaire .

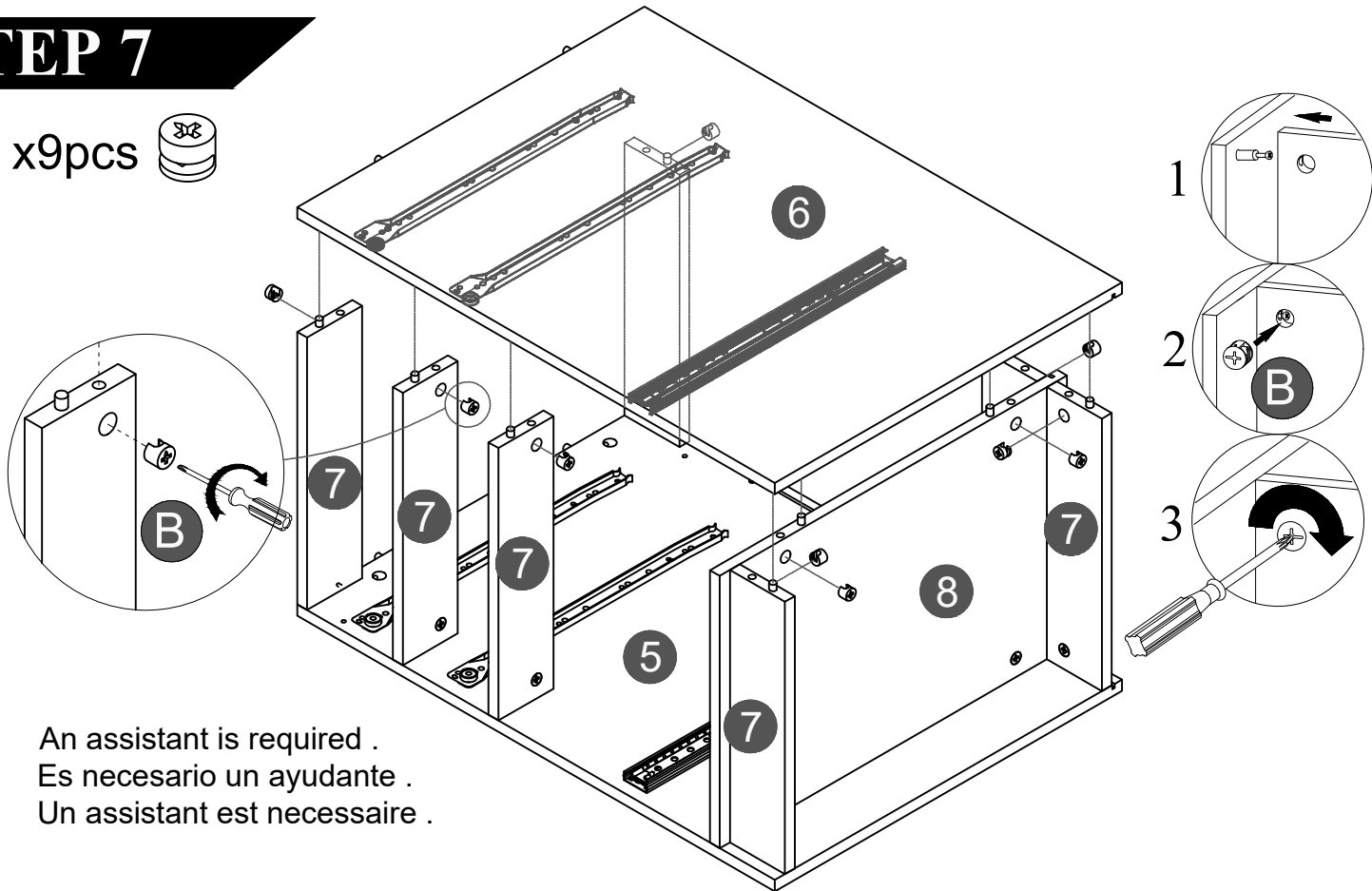
# STEP 6

**B** x9pcs



# STEP 7

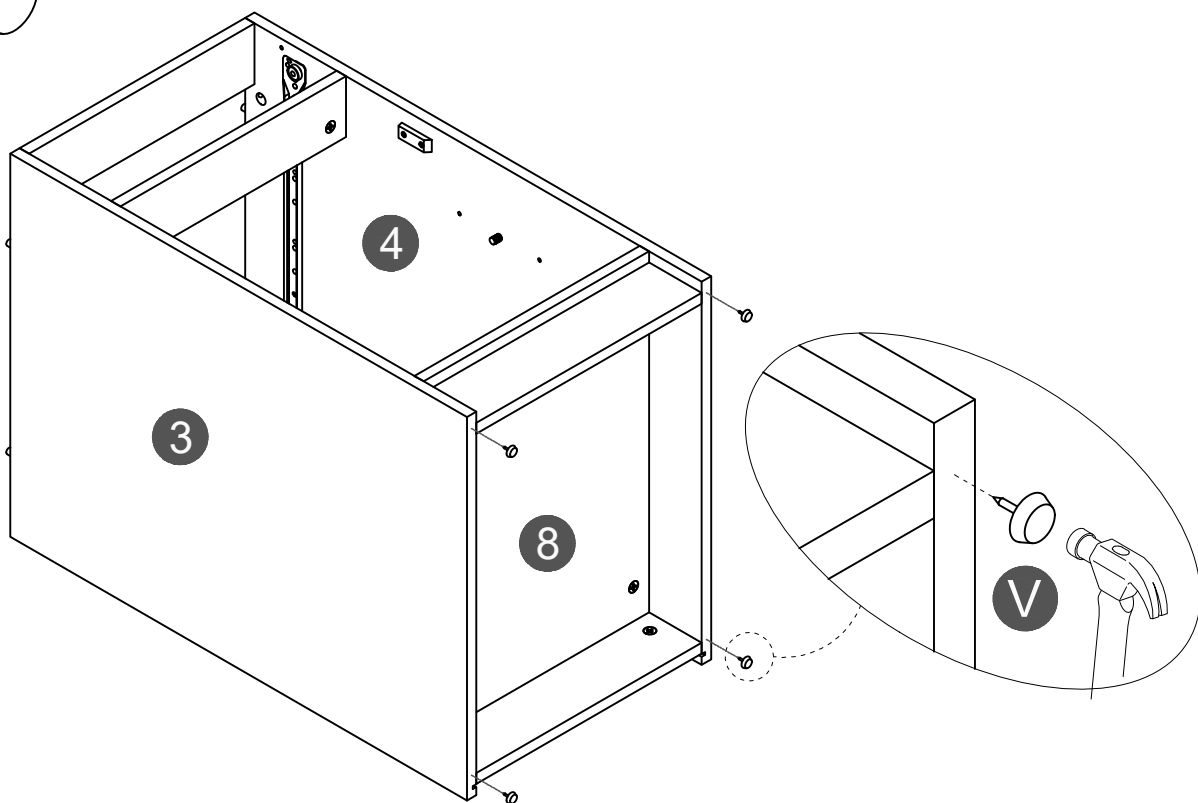
**B** x9pcs 



An assistant is required .  
Es necesario un ayudante .  
Un assistant est necessaire .

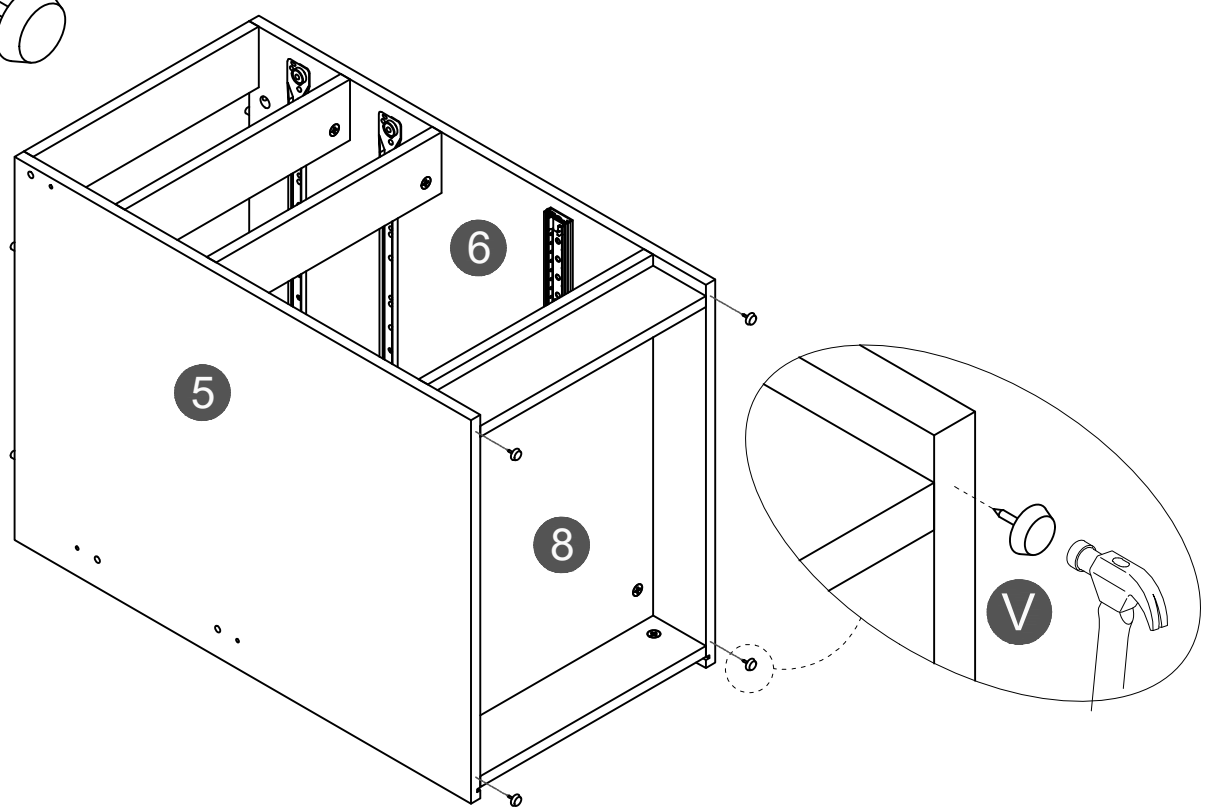
# STEP 8

**V** x4pcs 

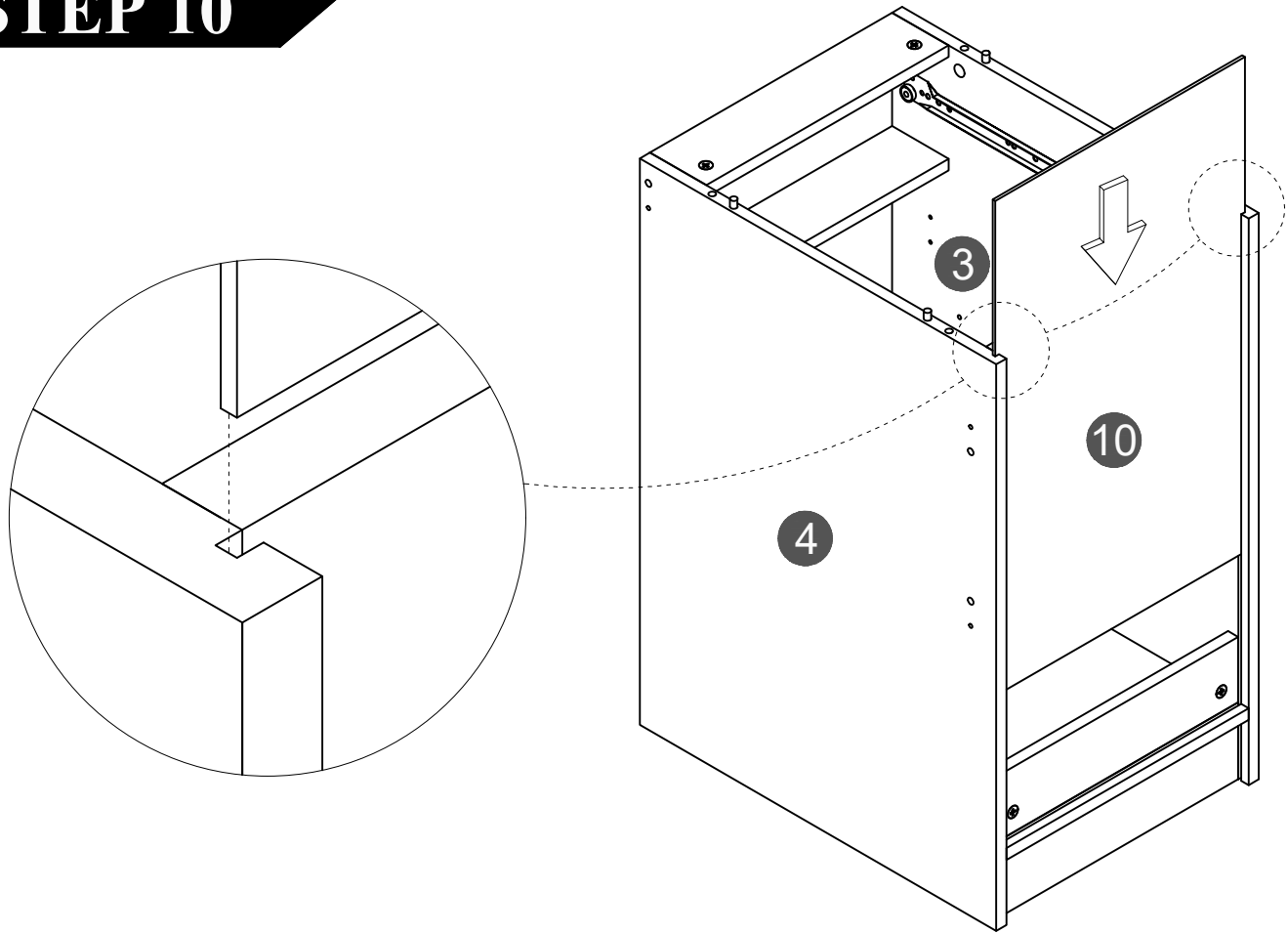


# STEP 9

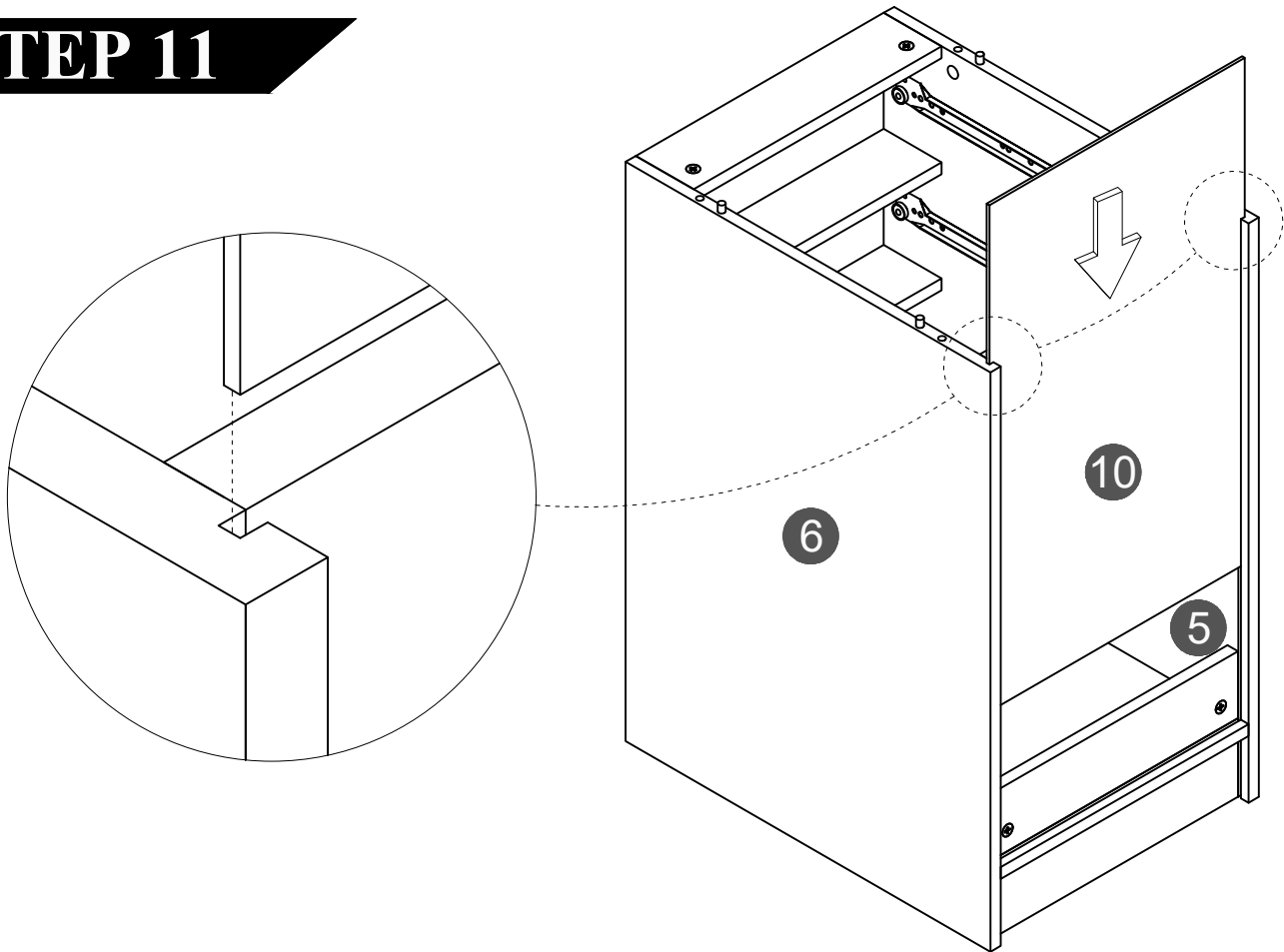
V x4pcs 



# STEP 10



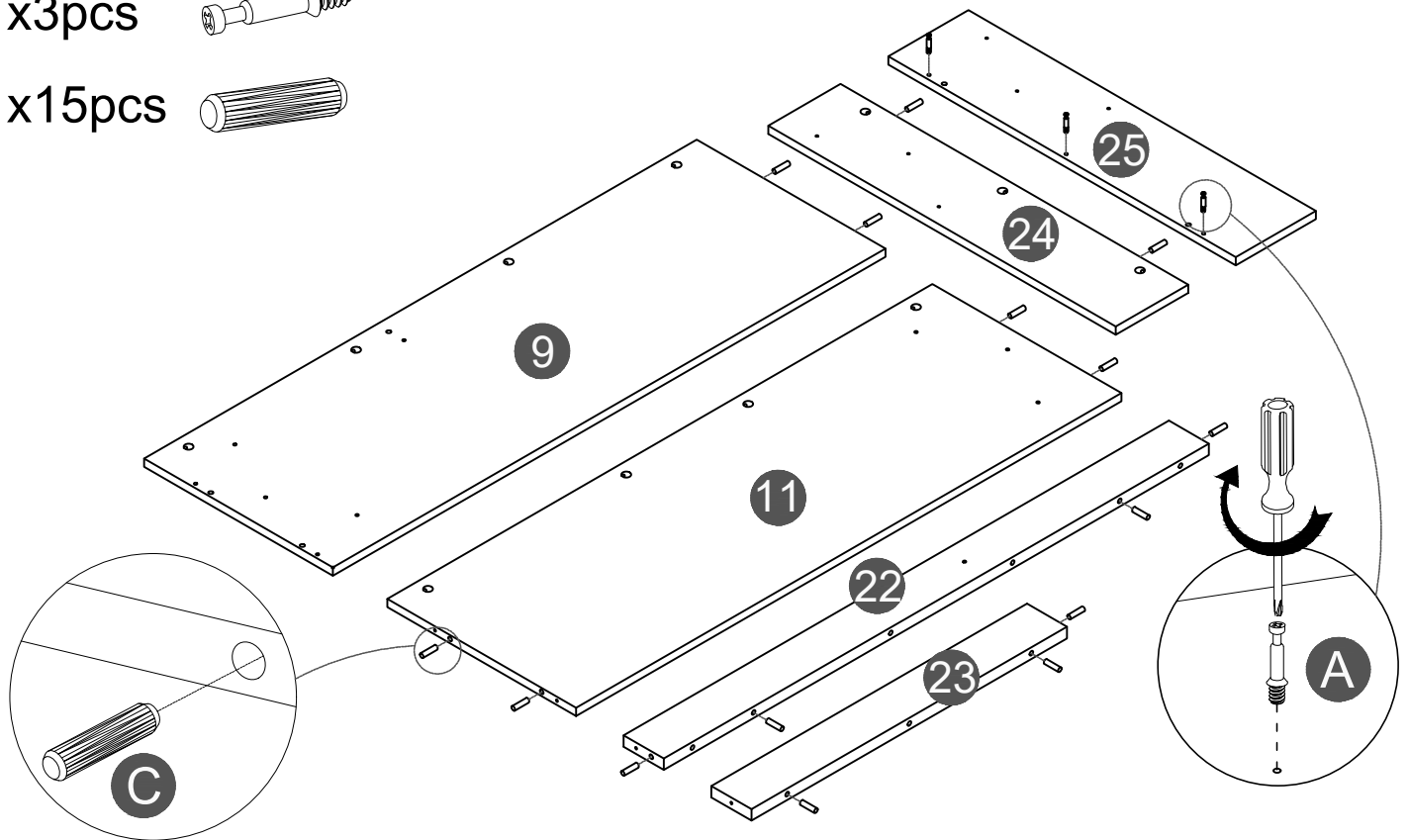
# STEP 11



# STEP 12

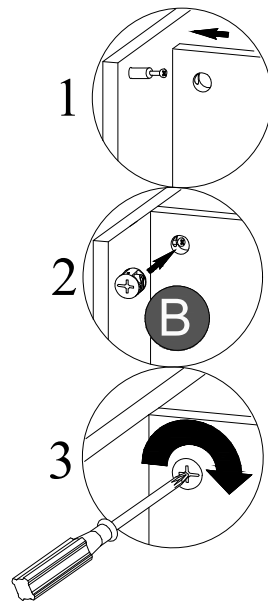
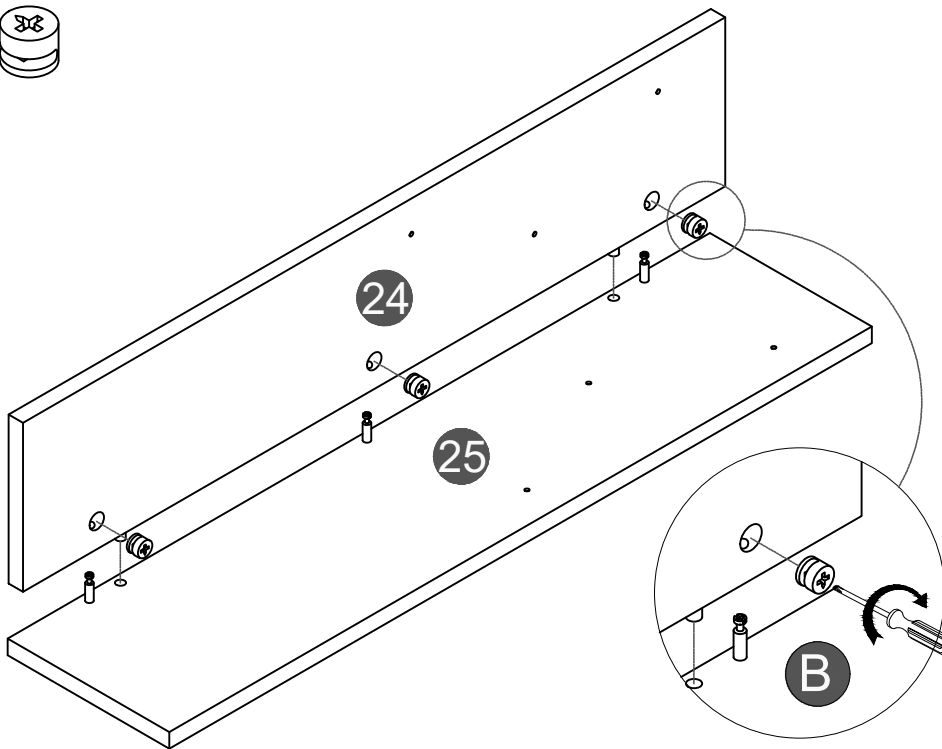
**A** x3pcs 

**C** x15pcs 




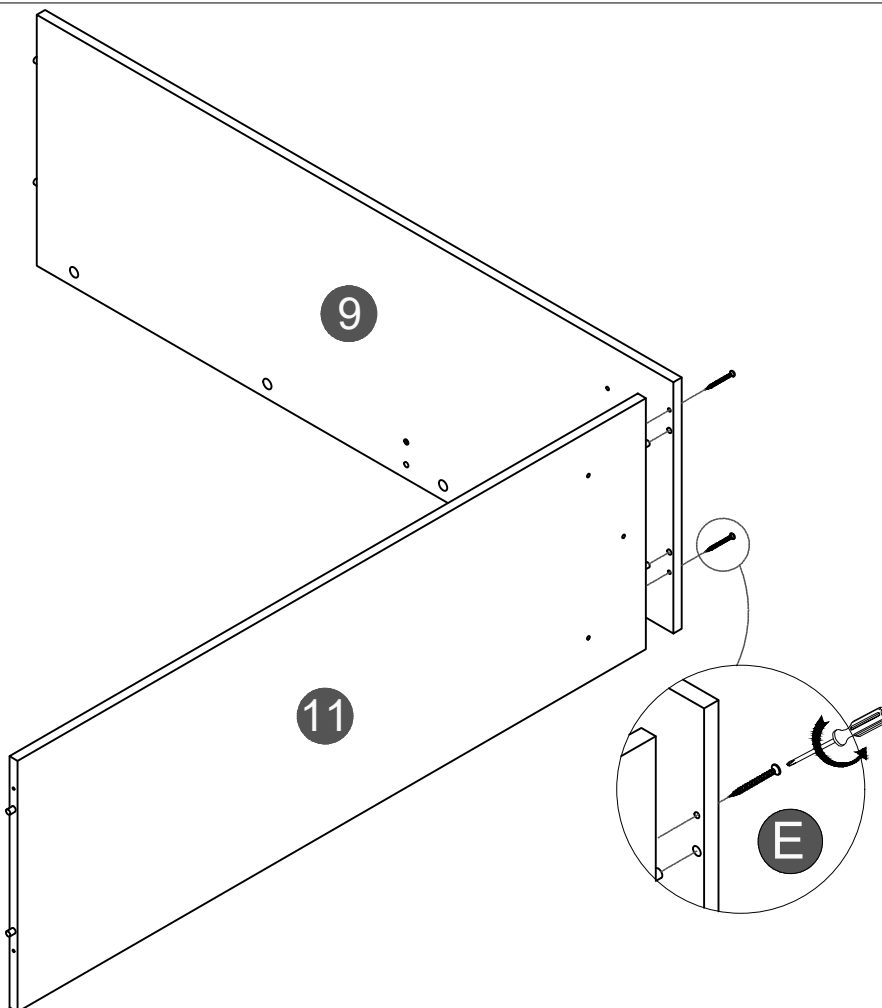
# STEP 13

**B** x3pcs 



# STEP 14

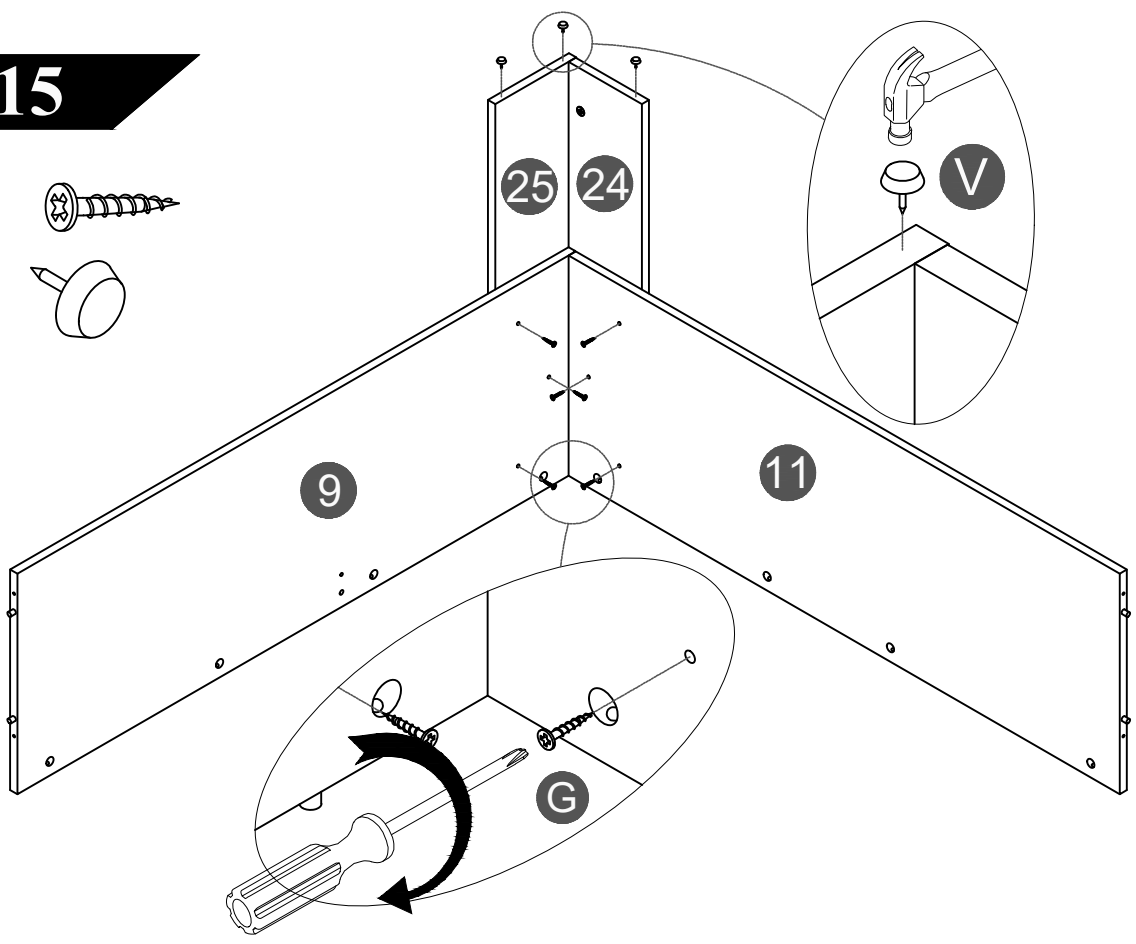
**E** x2pcs 



# STEP 15

**G** x6pcs 

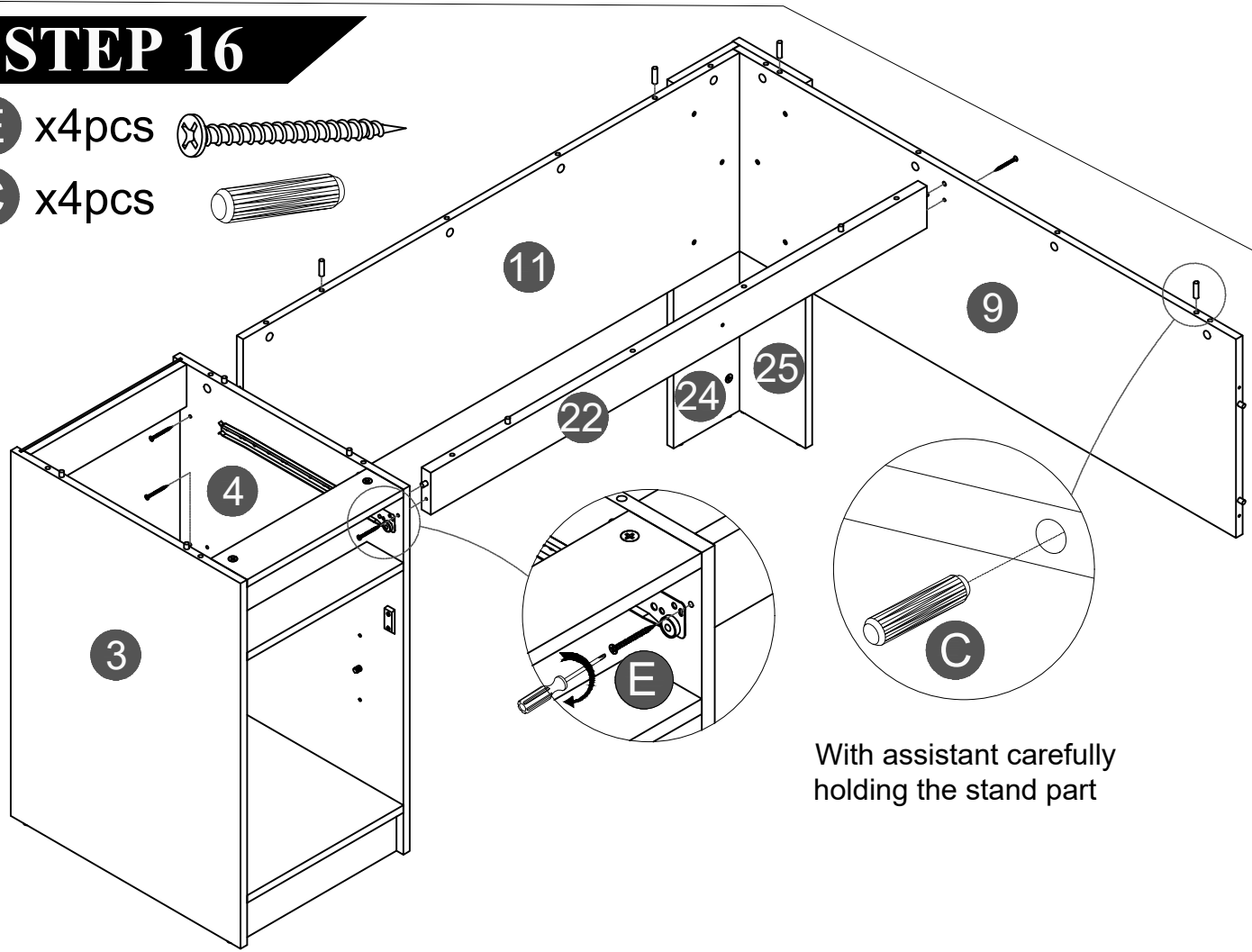
**V** x3pcs 



# STEP 16

**E** x4pcs 

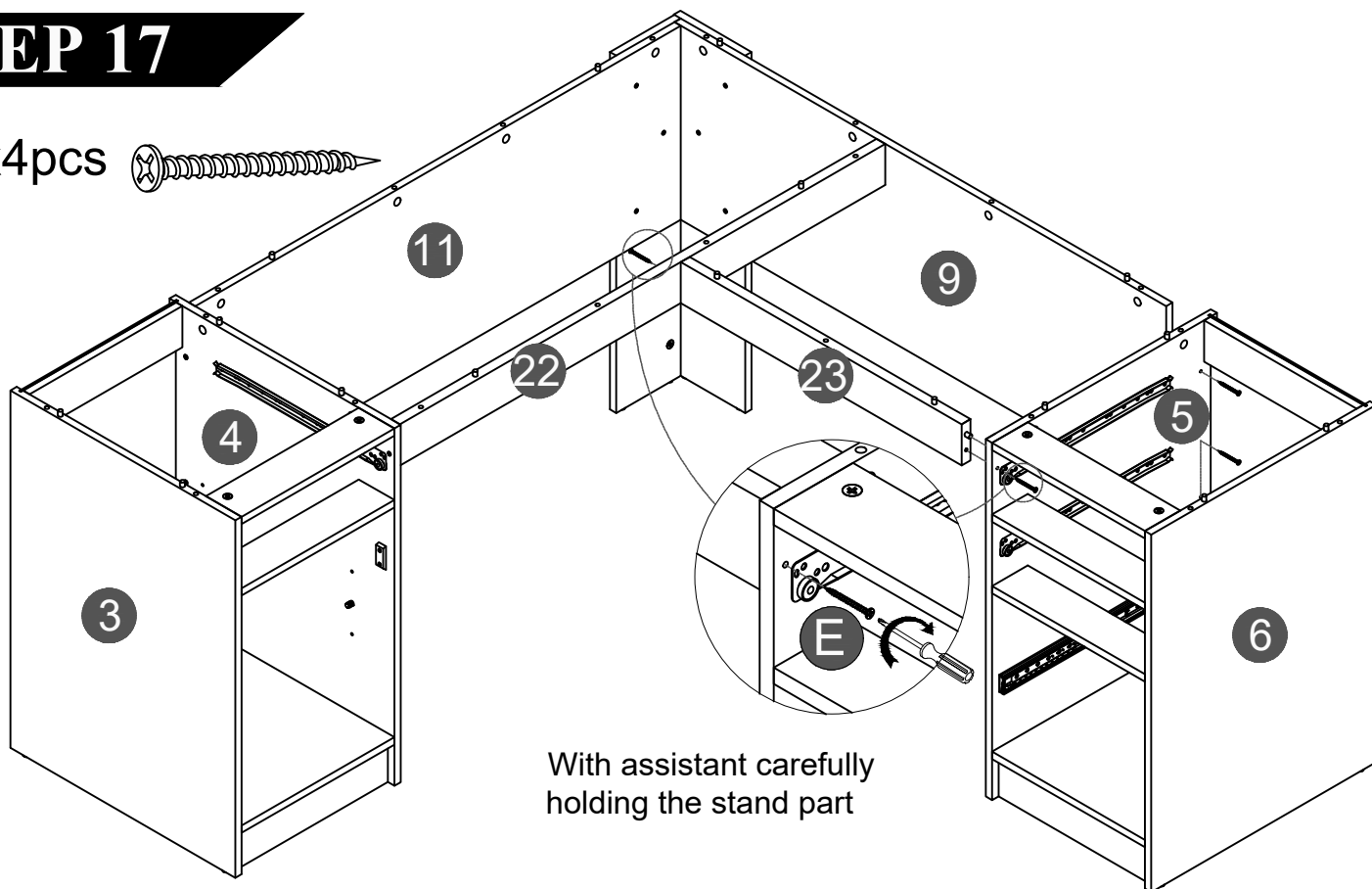
**C** x4pcs 



With assistant carefully holding the stand part

## STEP 17


**E** x4pcs 



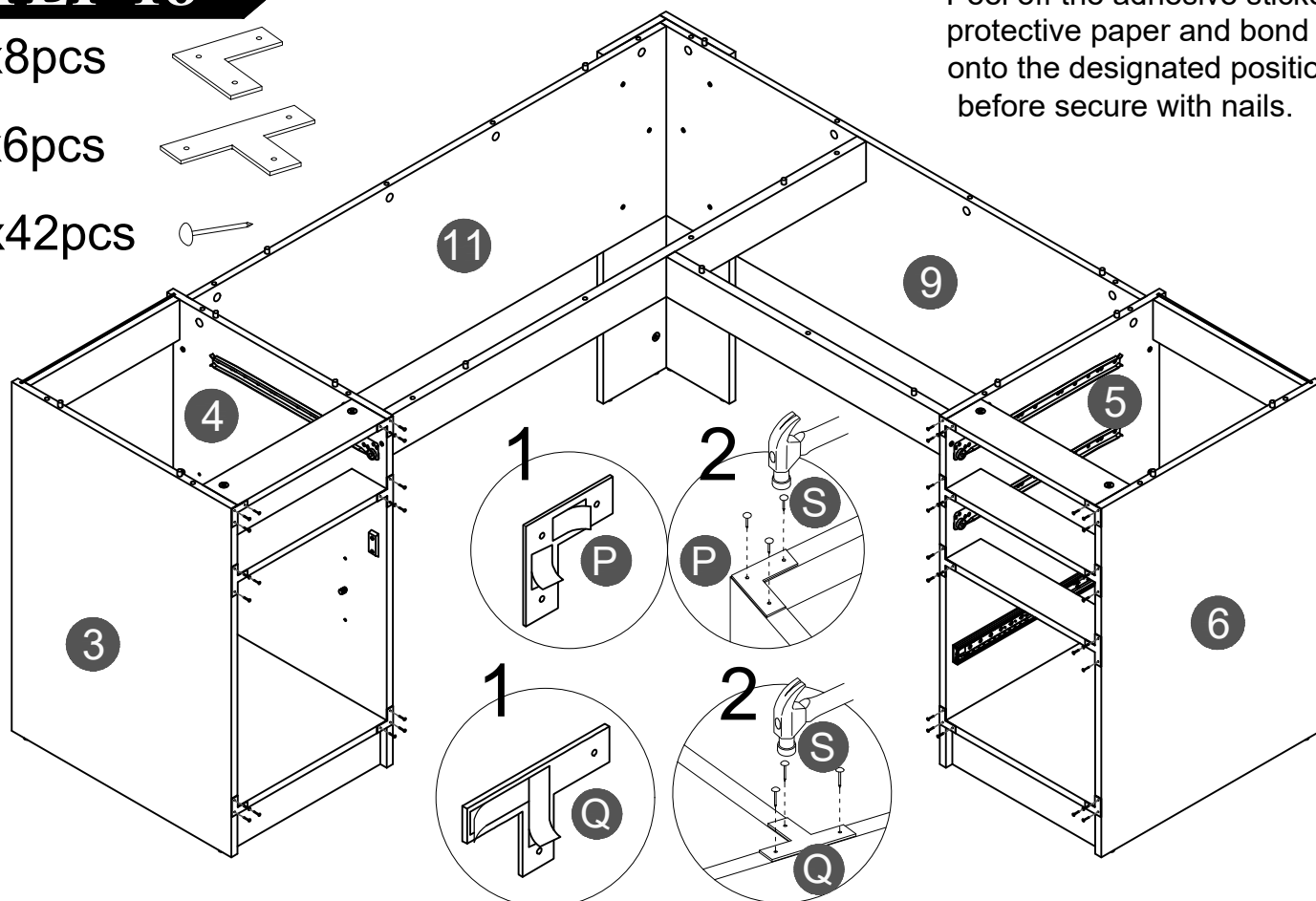
## STEP 18

**P** x8pcs 

**Q** x6pcs 

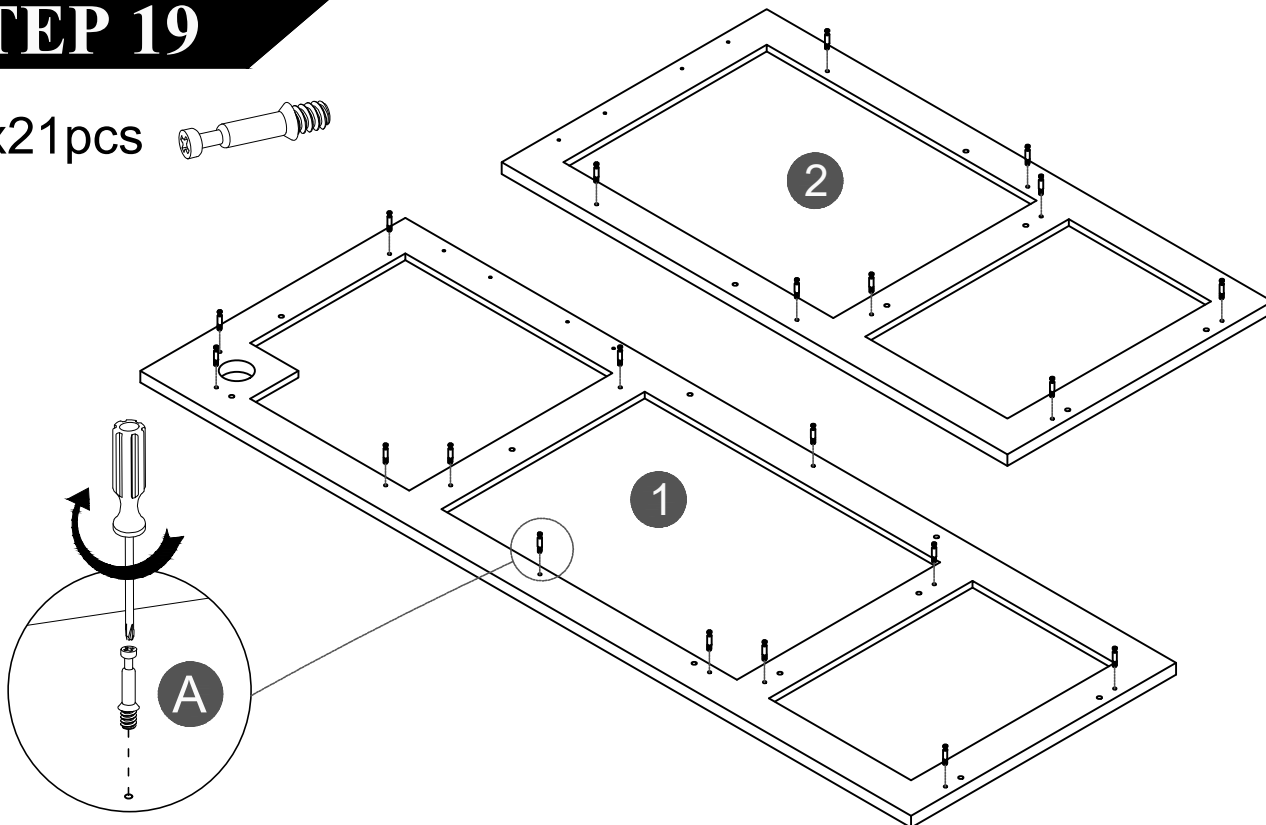
**S** x42pcs 

Peel off the adhesive sticker's protective paper and bond it onto the designated position before secure with nails.



# STEP 19

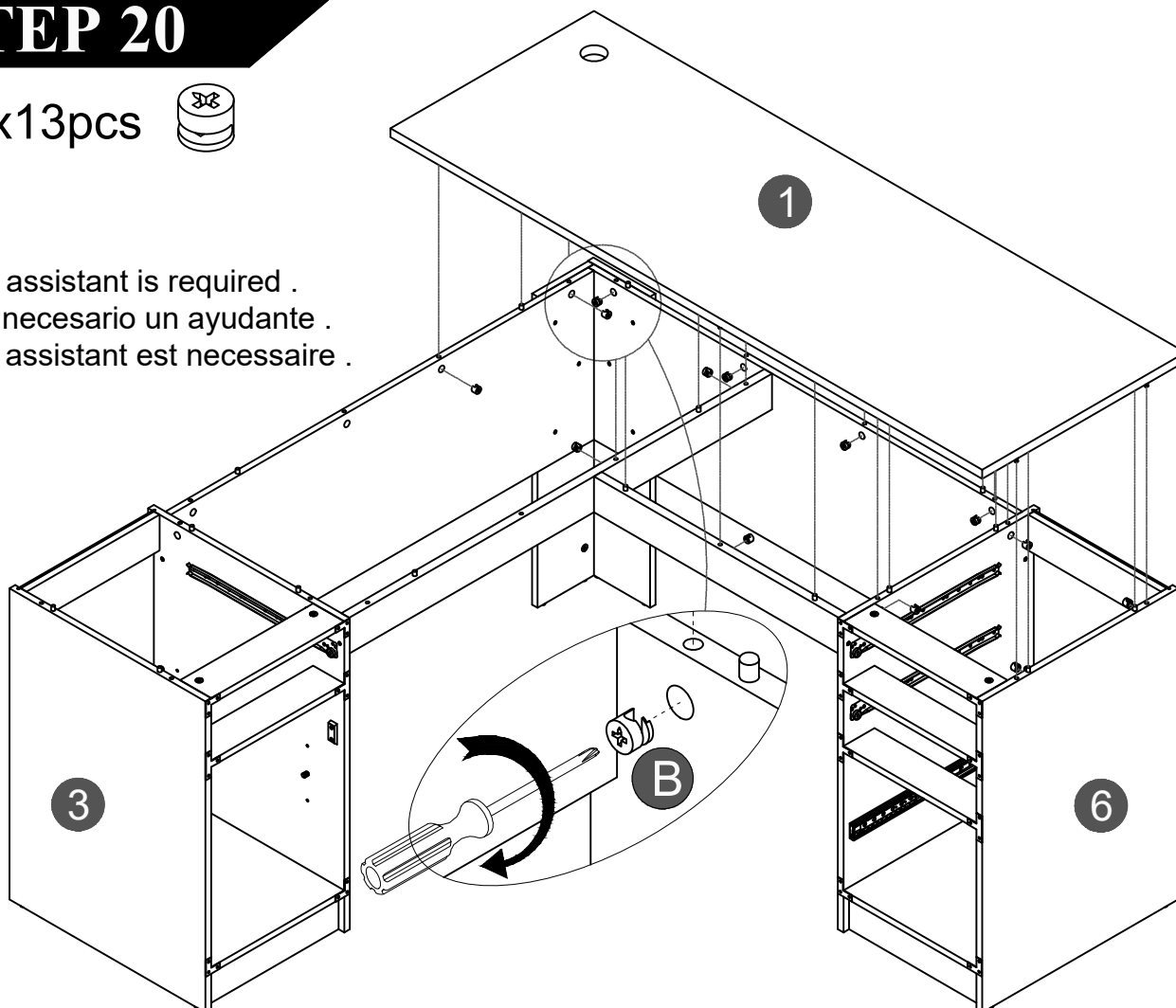
**A** x21pcs 



# STEP 20

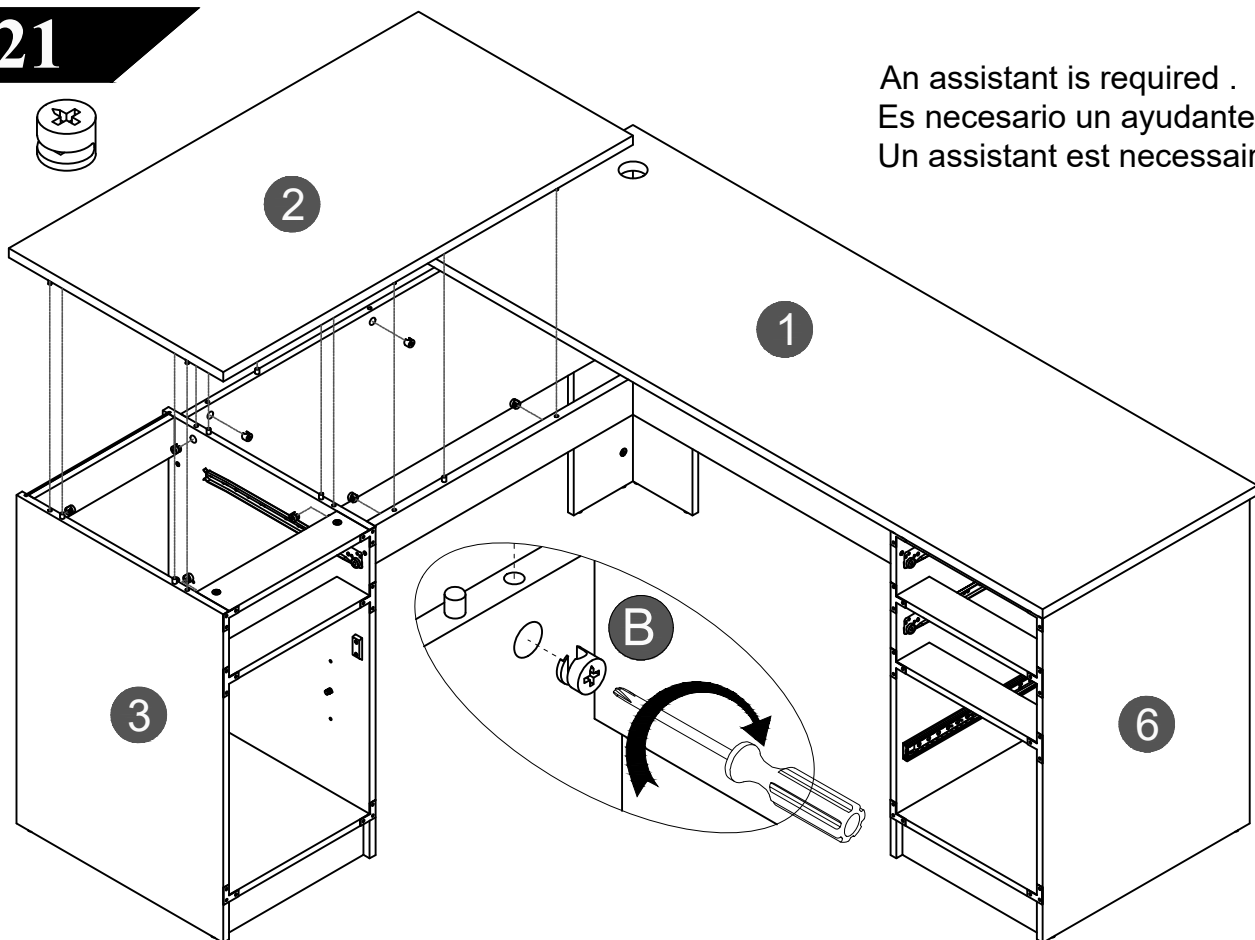
**B** x13pcs 

An assistant is required .  
Es necesario un ayudante .  
Un assistant est necessaire .



# STEP 21

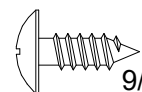
**B** x8pcs



An assistant is required .  
Es necesario un ayudante .  
Un assistant est necessaire .

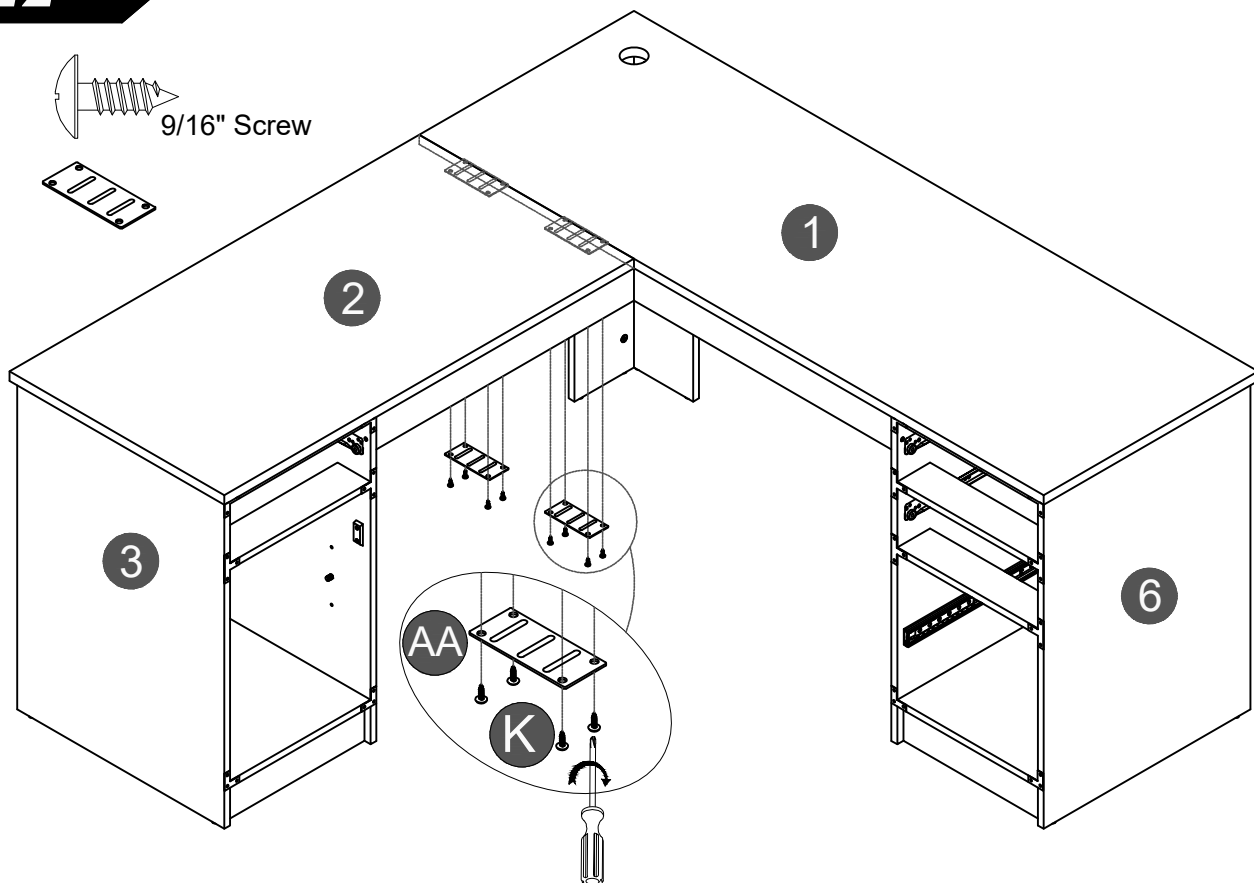
# STEP 22

**K** x8pcs



9/16" Screw

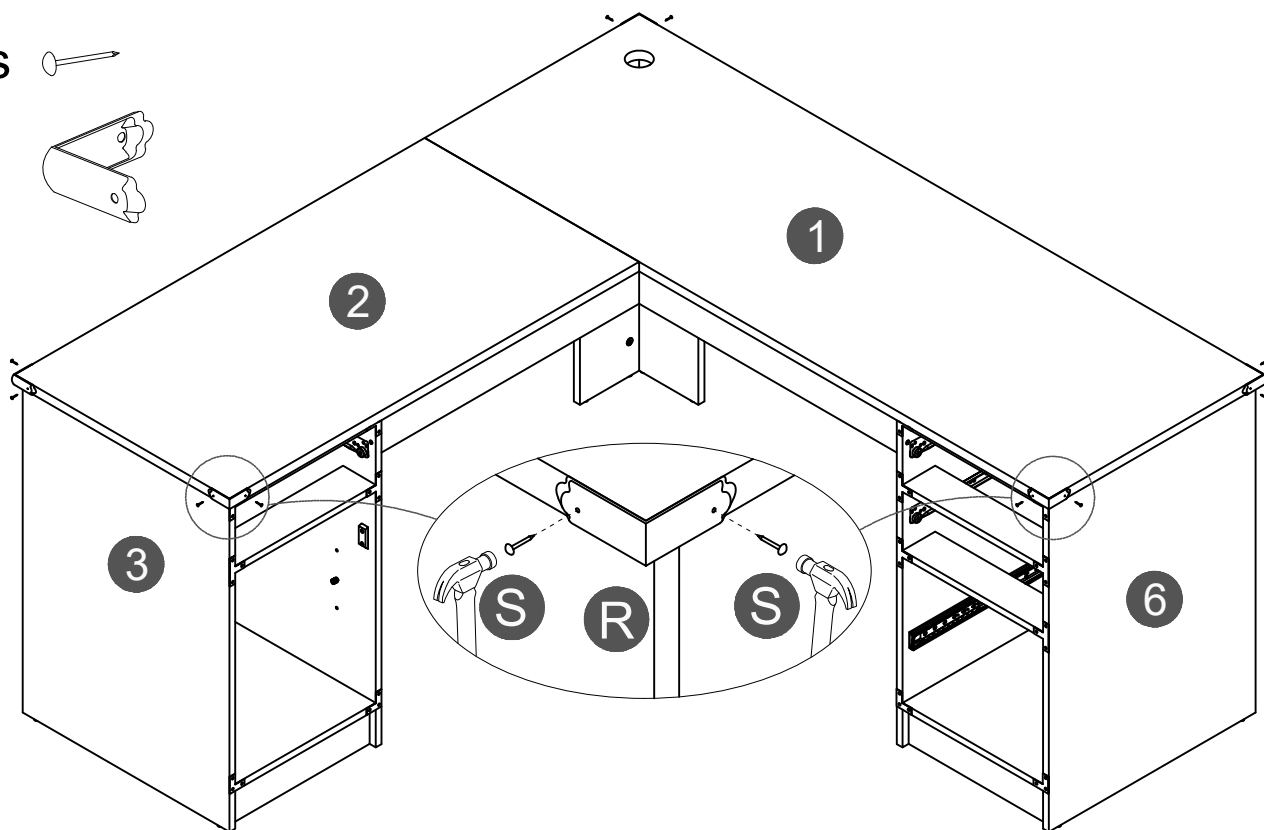
**AA** x2pcs



# STEP 23

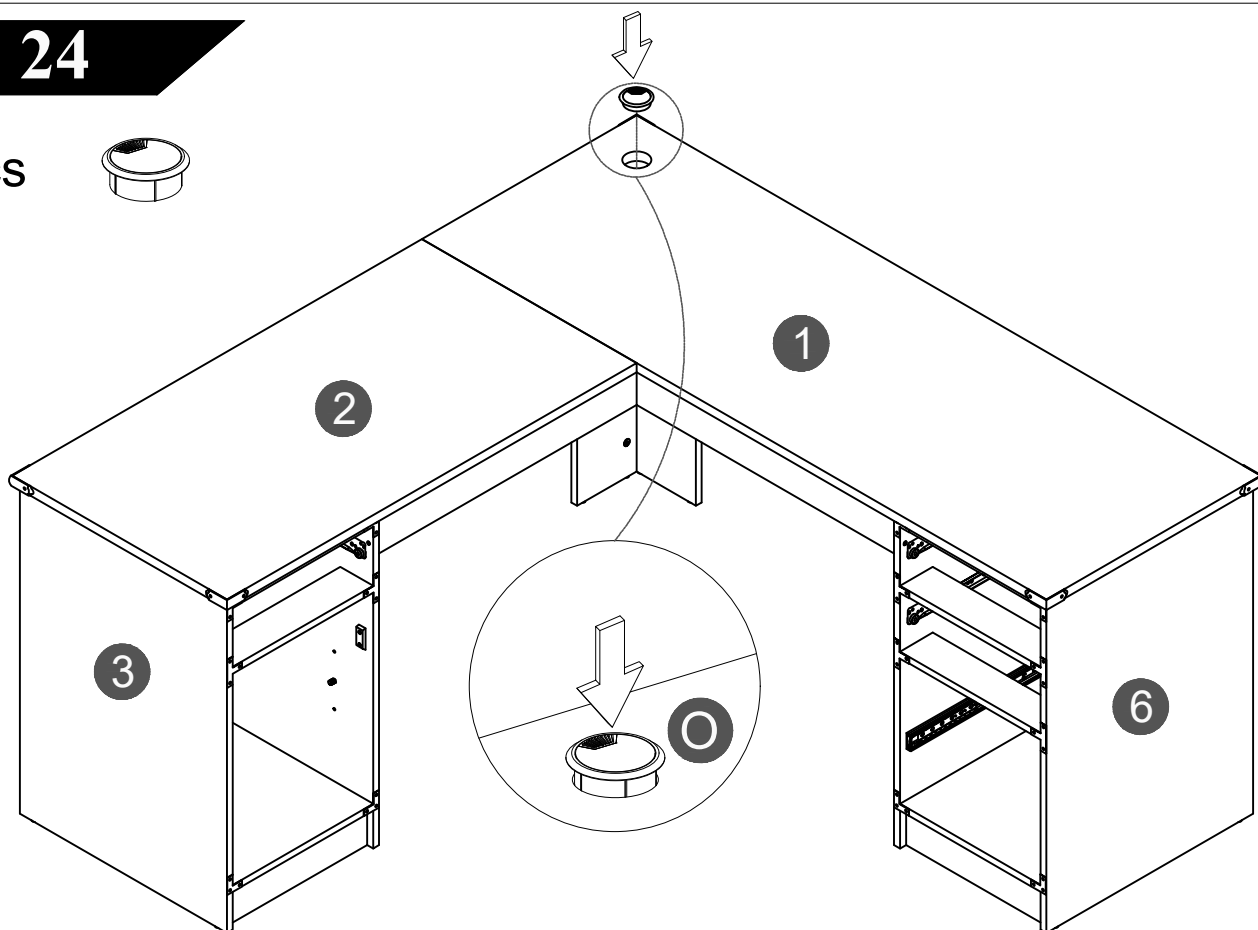
**S** x10pcs 

**R** x5pcs 

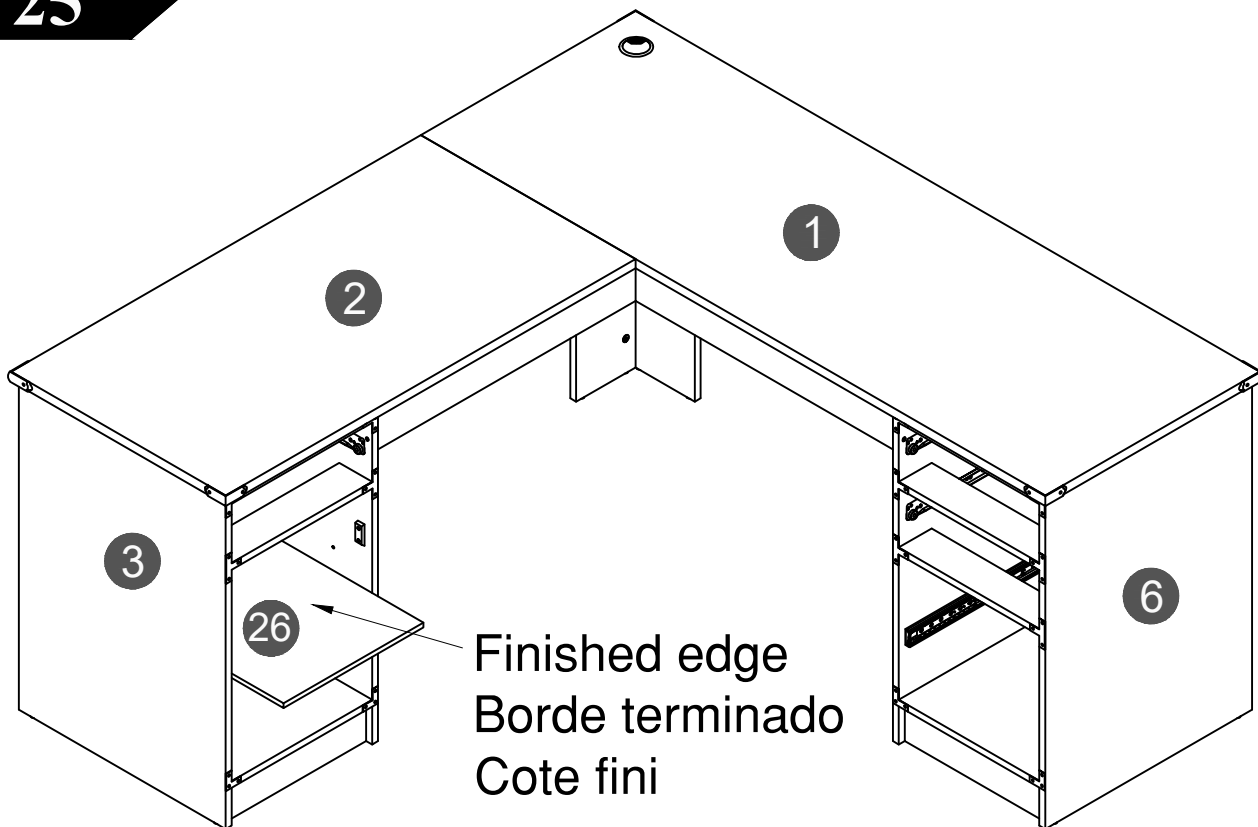


# STEP 24

**O** x1pcs 



# STEP 25



# STEP 26

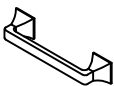
**D** x2pcs



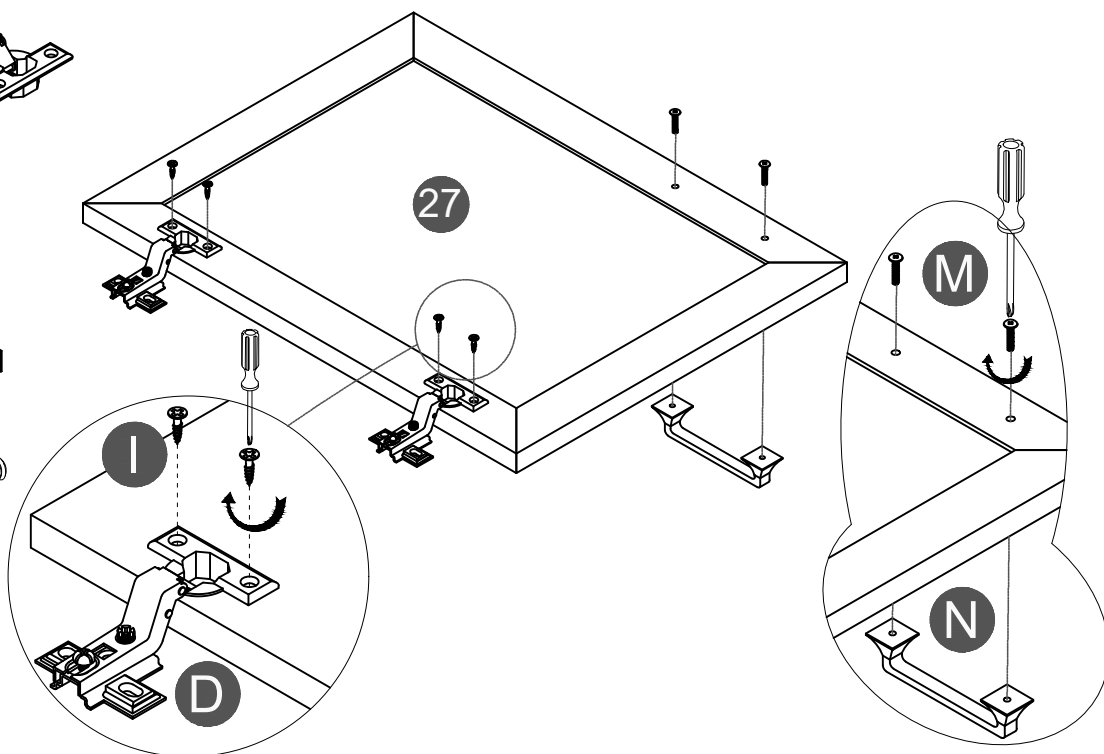
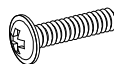
**I** x4pcs



**N** x1pcs

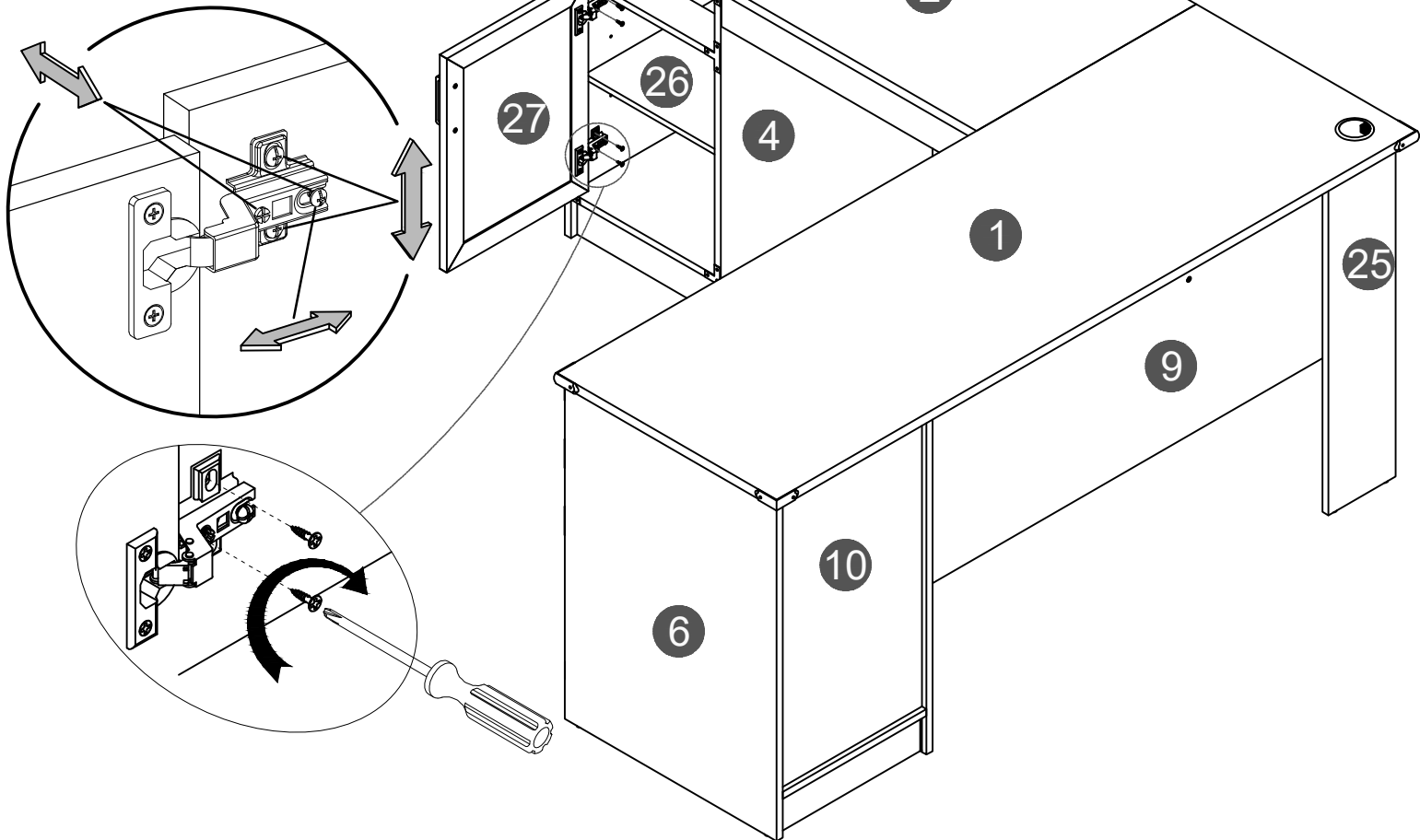


**M** x2pcs

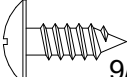


# STEP 27

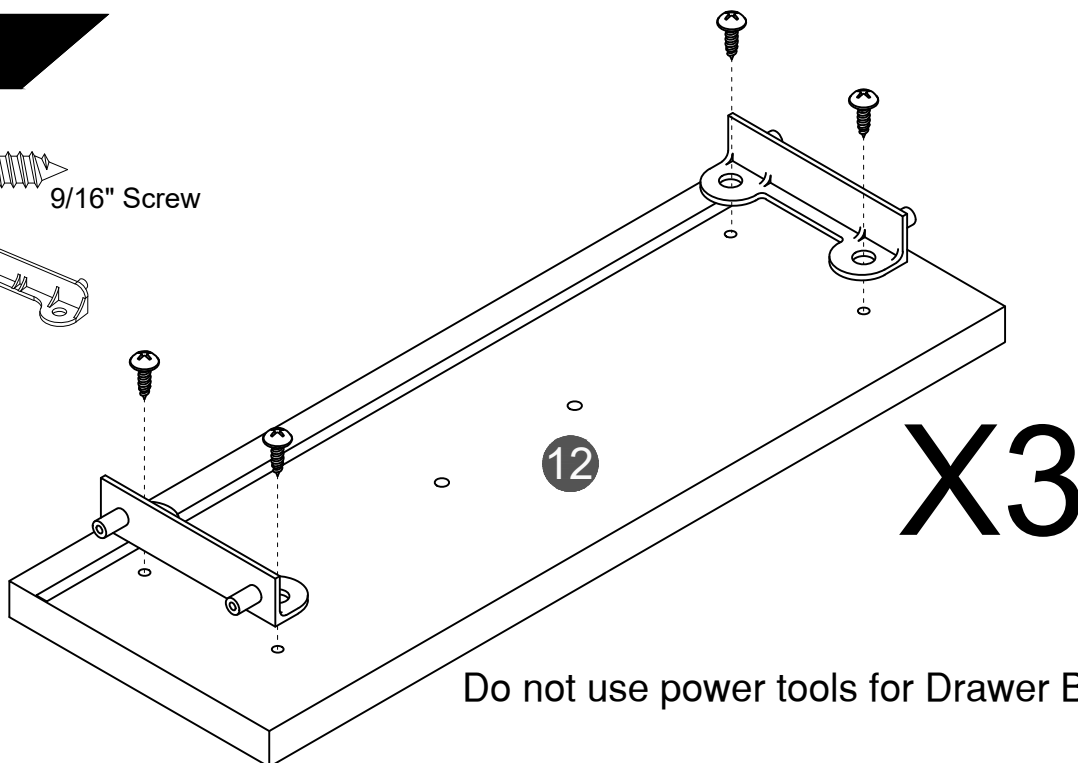
I x4pcs 



# STEP 28

K x12pcs  9/16" Screw

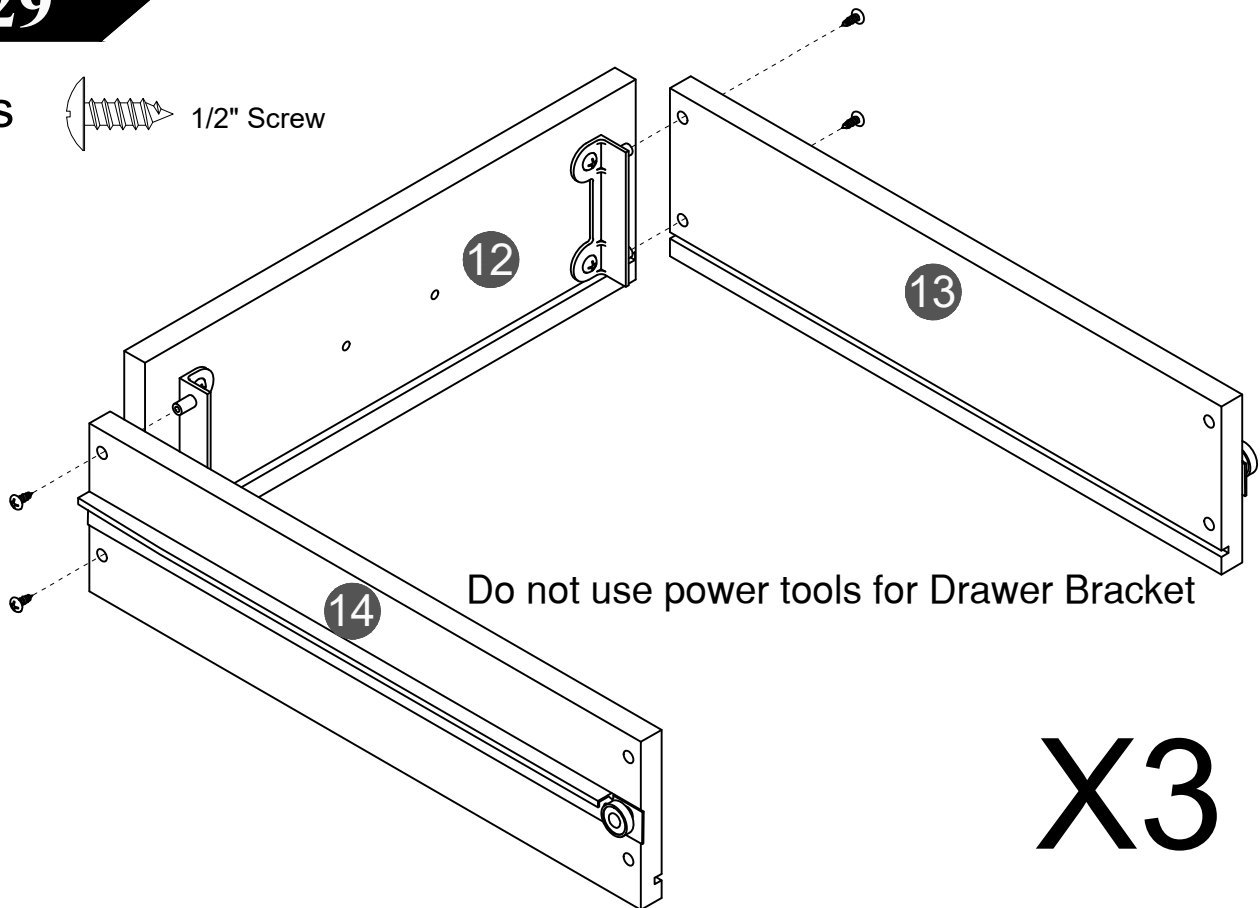
W x6pcs 



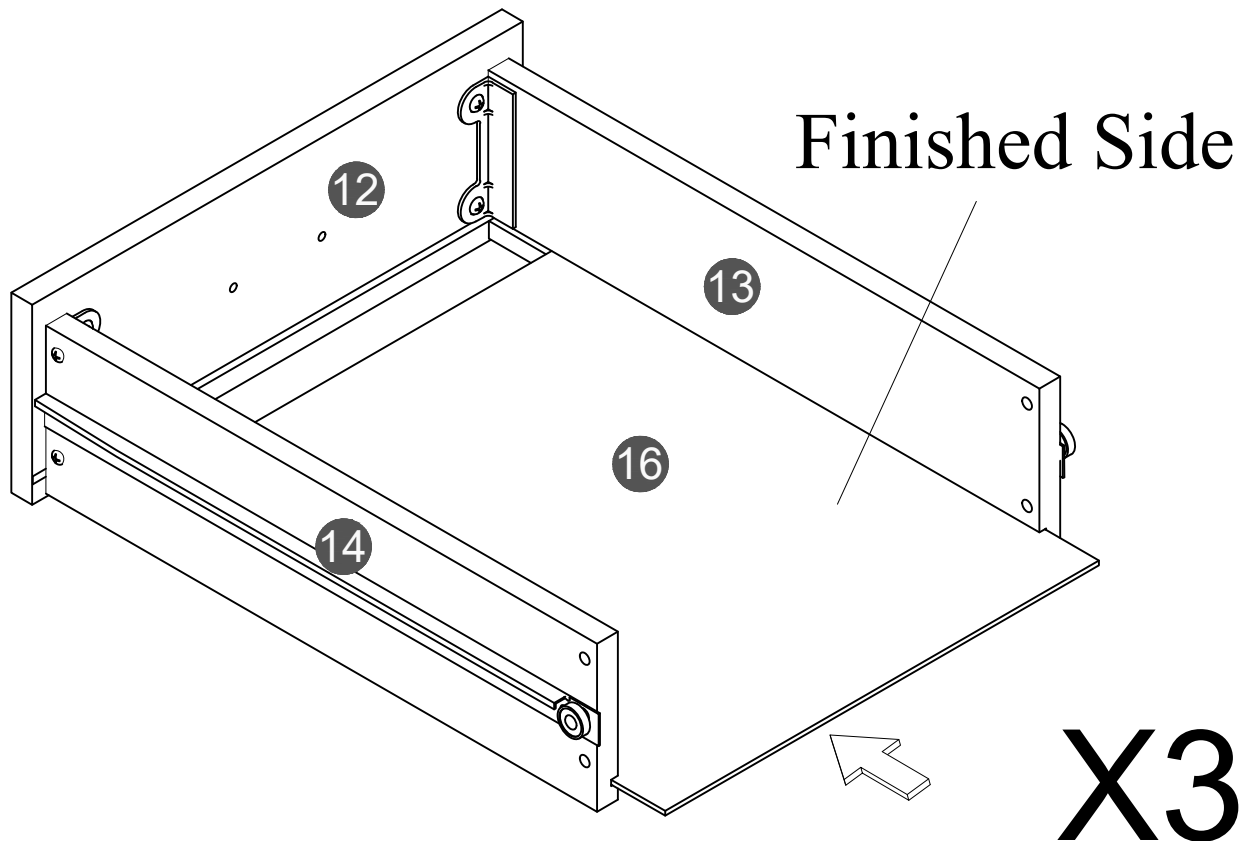
Do not use power tools for Drawer Bracket

## STEP 29


L x12pcs  1/2" Screw

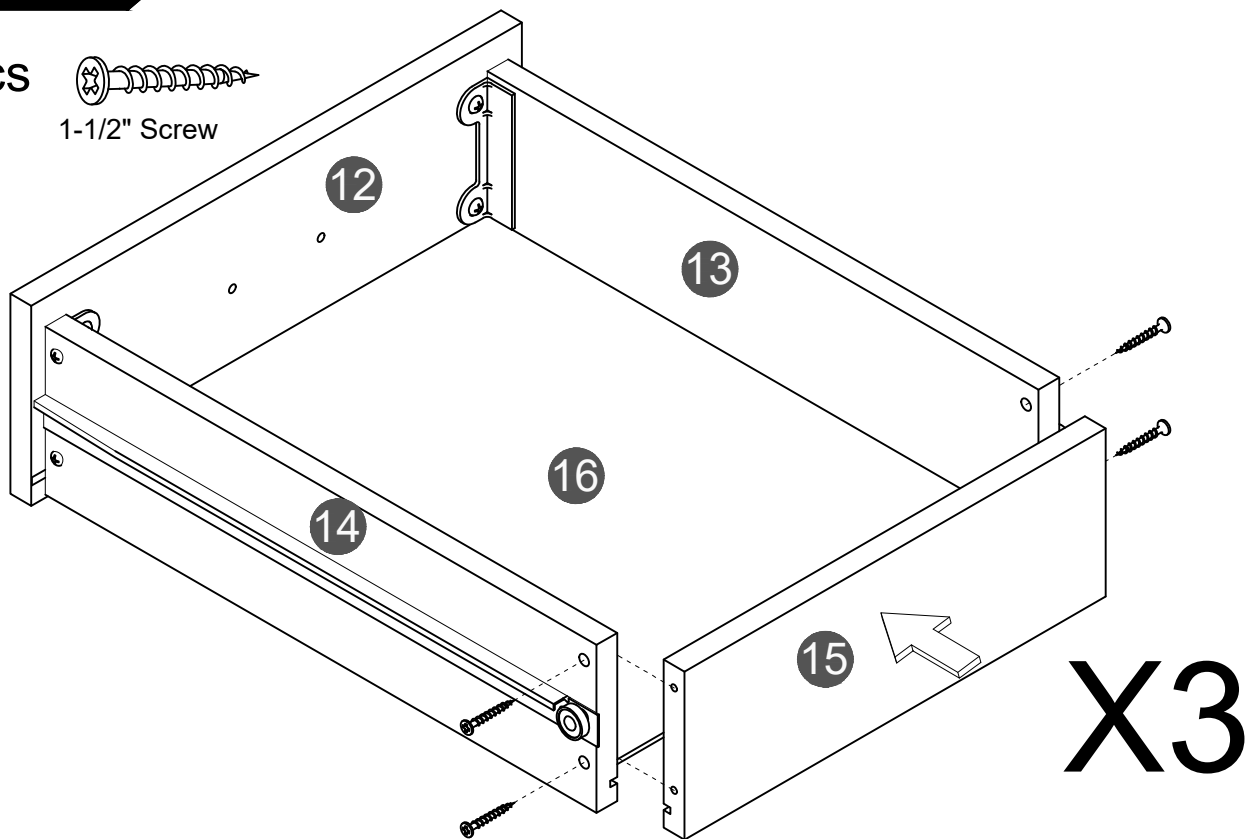


## STEP 30

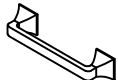
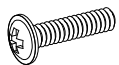


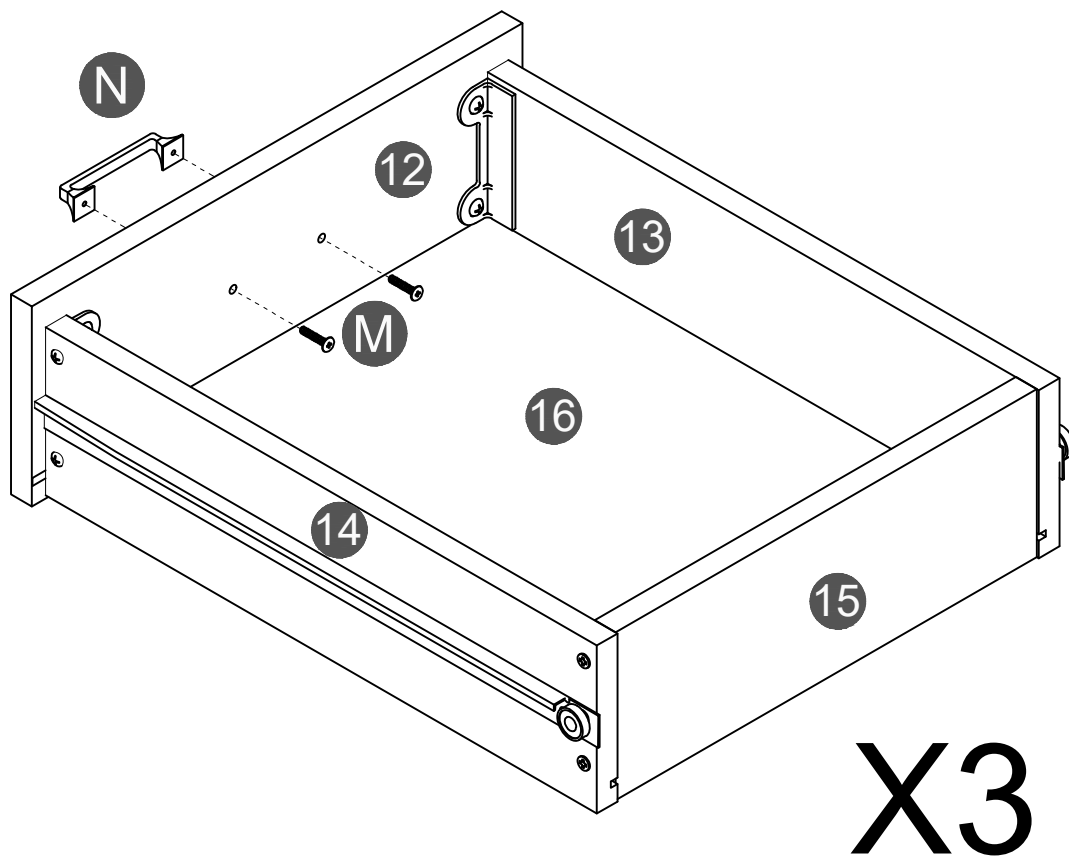
# STEP 31

**F** x12pcs   
1-1/2" Screw



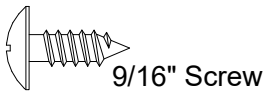
# STEP 32

**N** x3pcs   
**M** x6pcs 

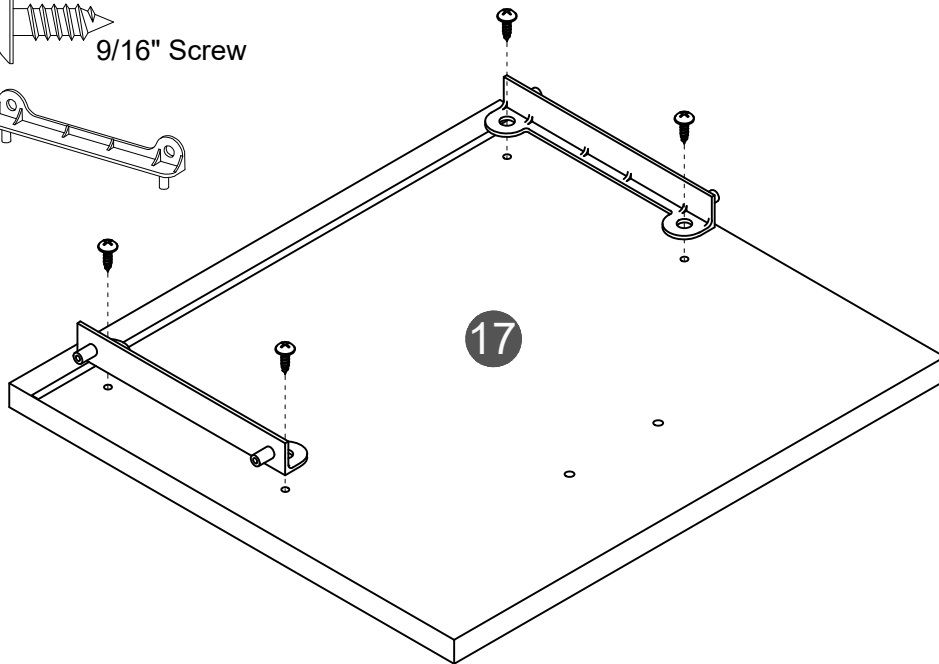
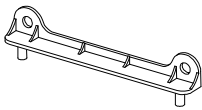


# STEP 33

**K** x4pcs



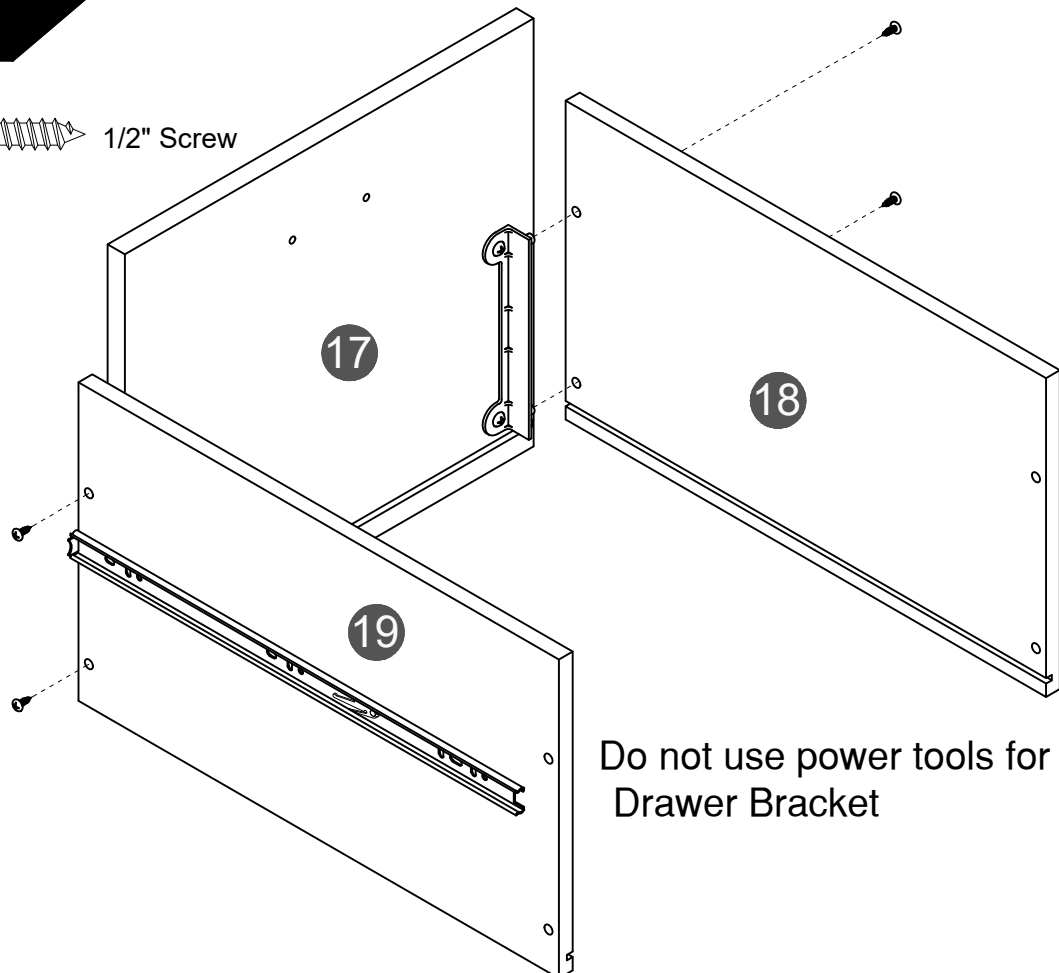
**X** x2pcs



Do not use power tools for Drawer Bracket

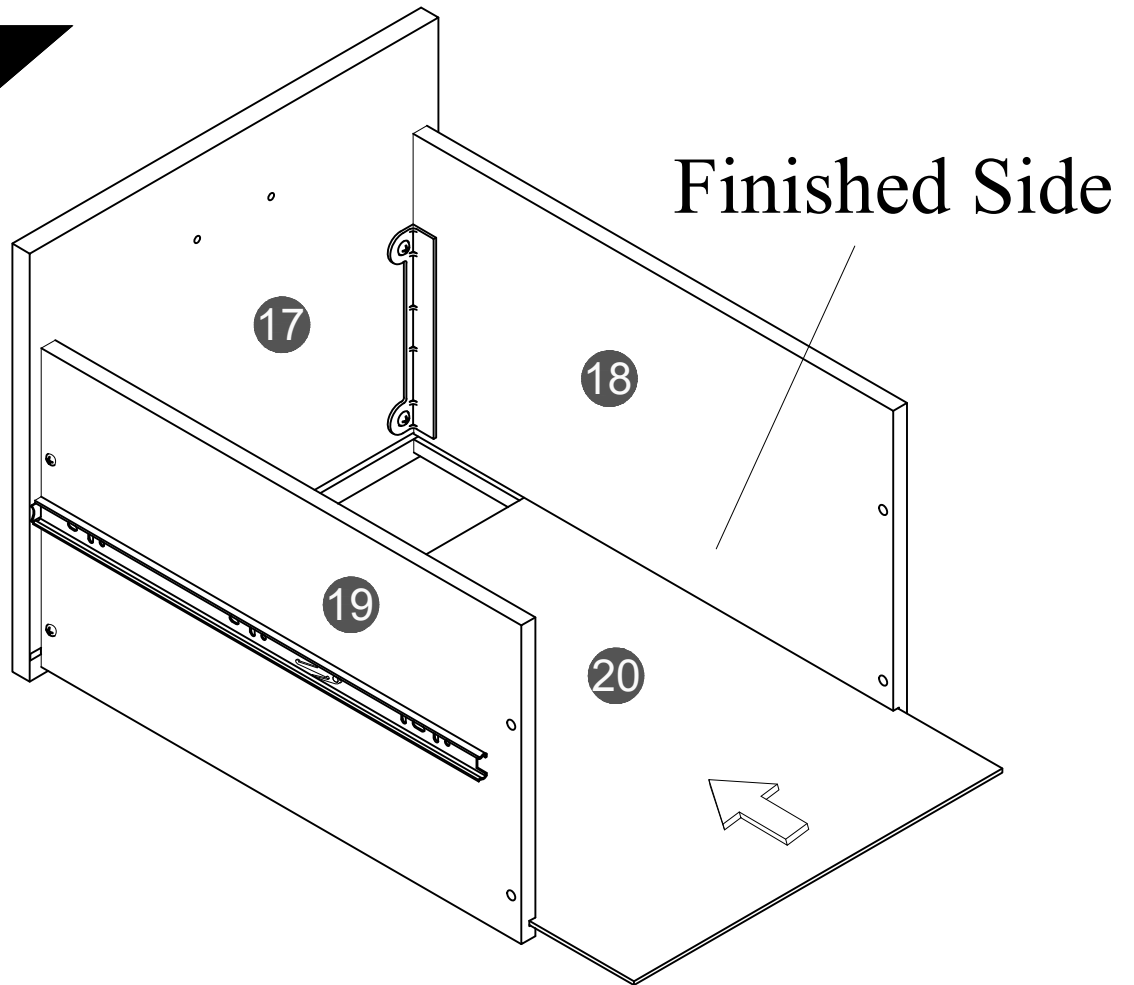
# STEP 34

**L** x4pcs



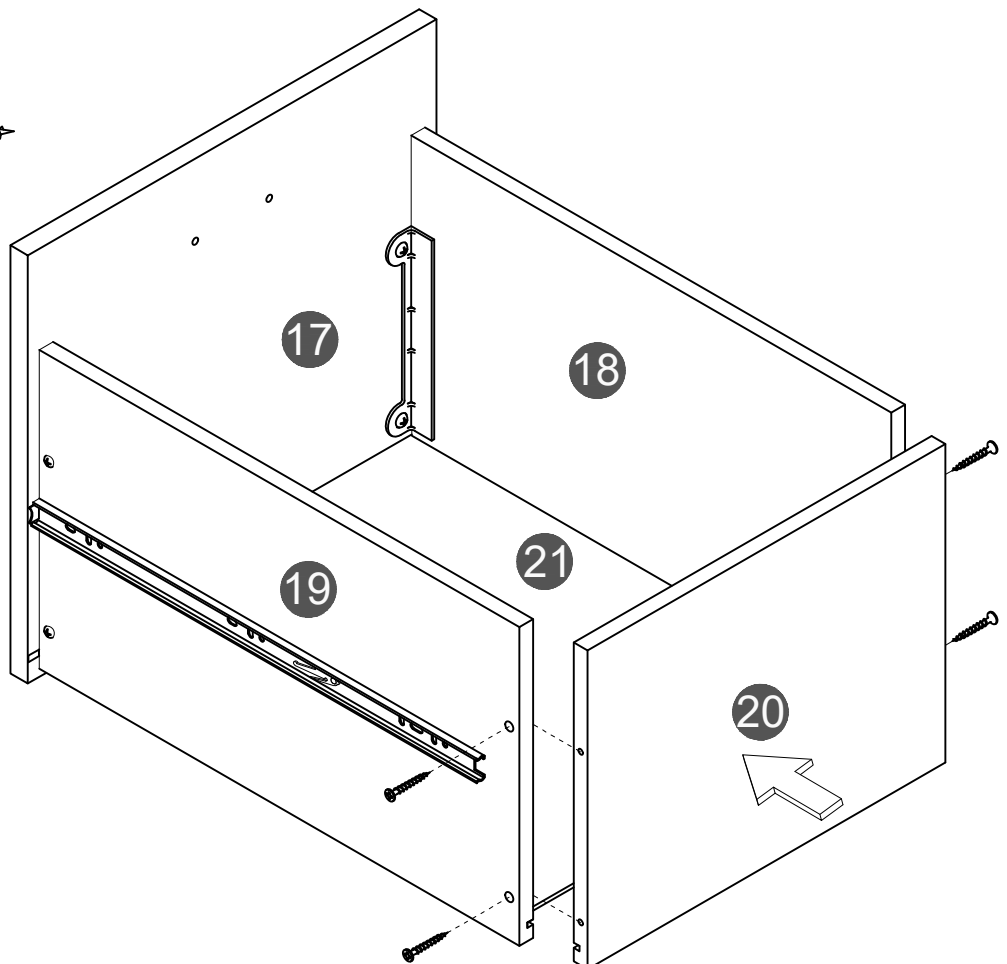
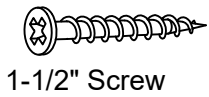
Do not use power tools for  
Drawer Bracket

# STEP 35



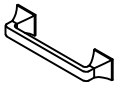
# STEP 36

F x4pcs

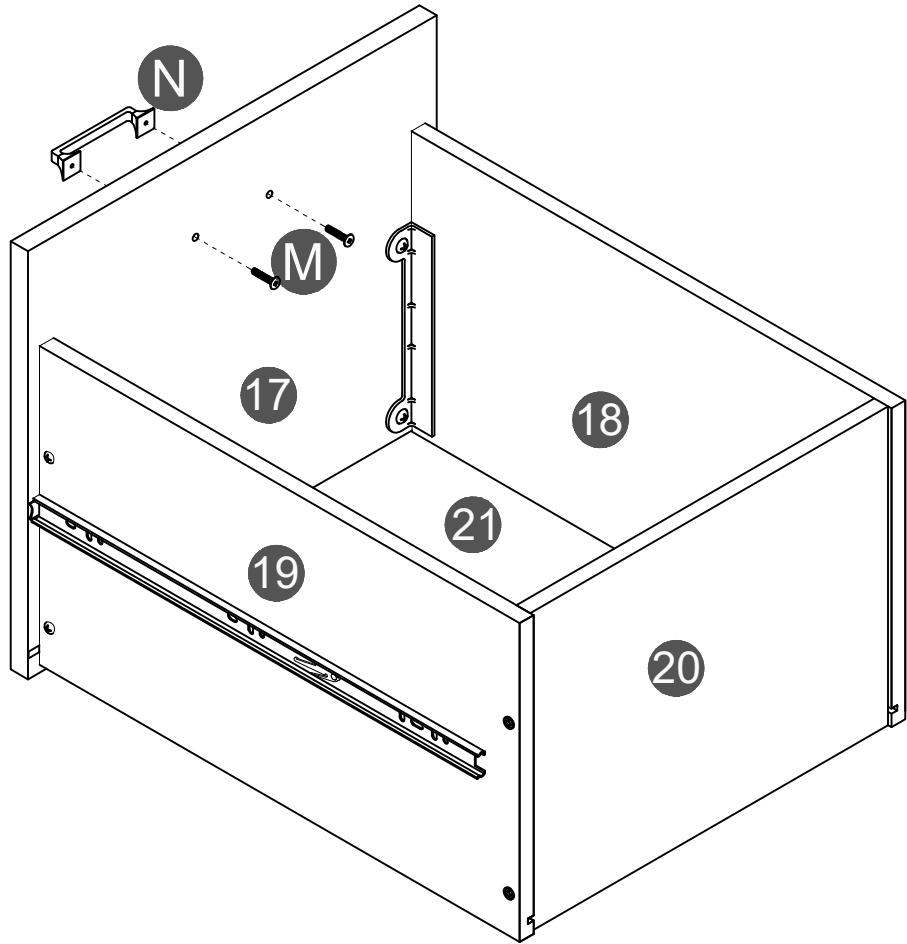
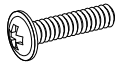


# STEP 37

**N** x1pcs

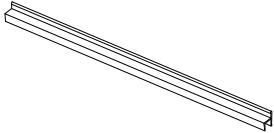


**M** x2pcs

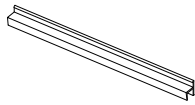


# STEP 38

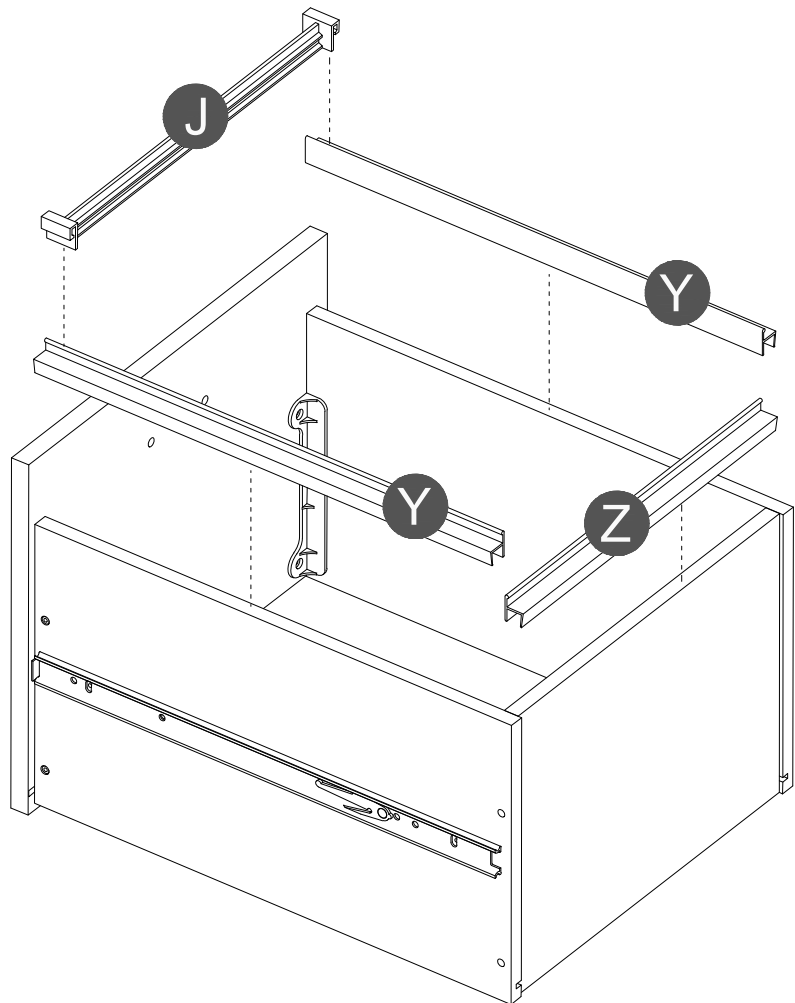
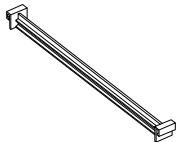
**Y** x2pcs



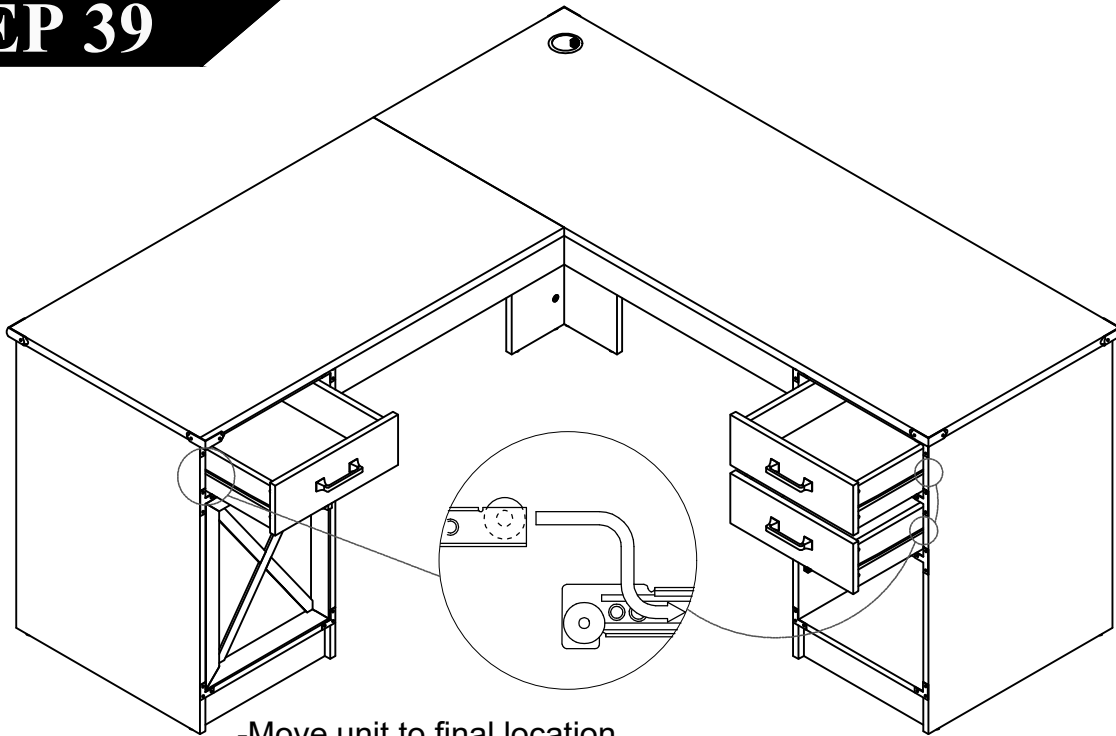
**Z** x1pcs



**J** x1pcs



## STEP 39



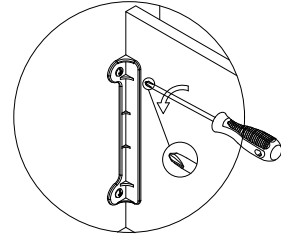
- Move unit to final location.
- Adjust drawer fronts as shown below.

Step1--Loosen screws on back of drawer front brackets as shown.

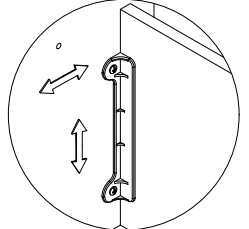
Step2--Position drawer front as required.

Step3--Tighten screws while holding drawer front in position.

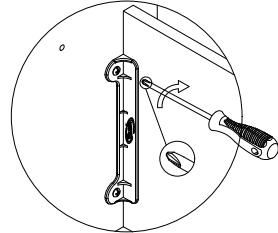
### STEP 1.



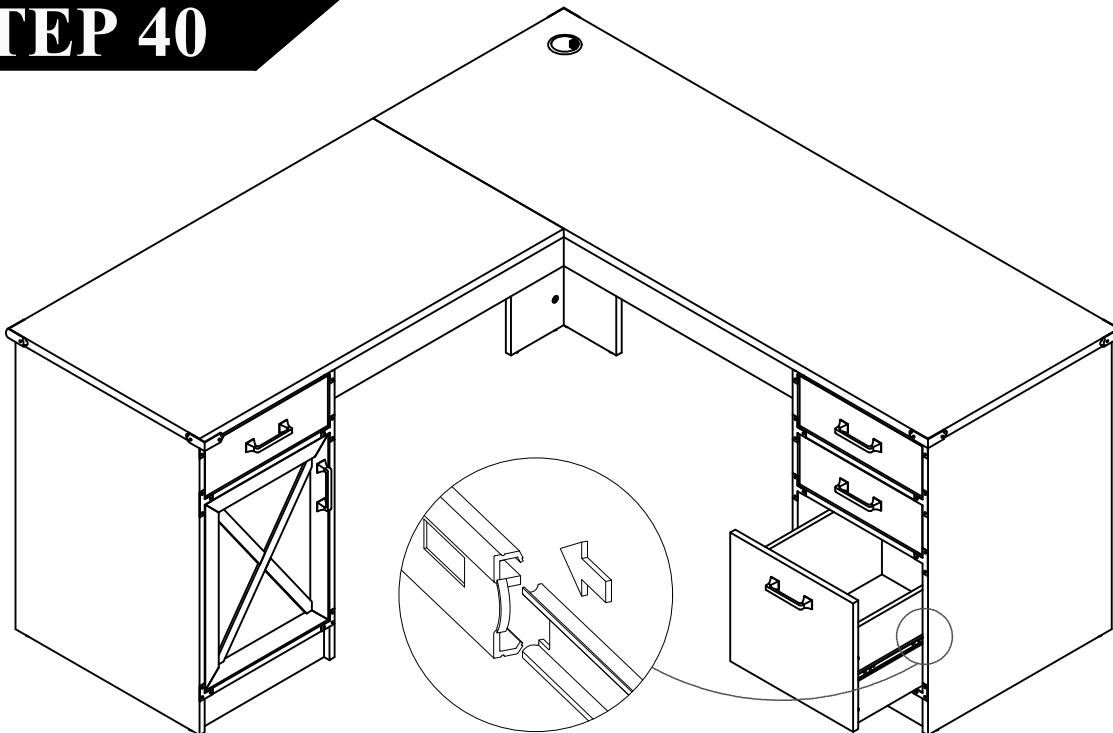
### STEP 2.



### STEP 3.



## STEP 40



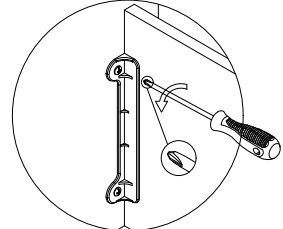
- Move unit to final location.
- Adjust drawer fronts as shown below.

Step1--Loosen screws on back of drawer front brackets as shown.

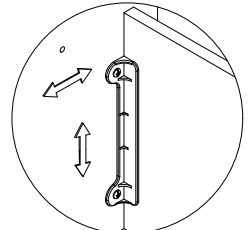
Step2--Position drawer front as required.

Step3--Tighten screws while holding drawer front in position.

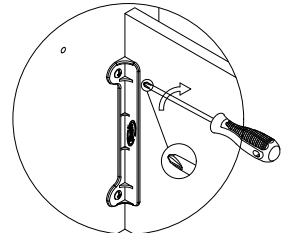
### STEP 1.



### STEP 2.



### STEP 3.

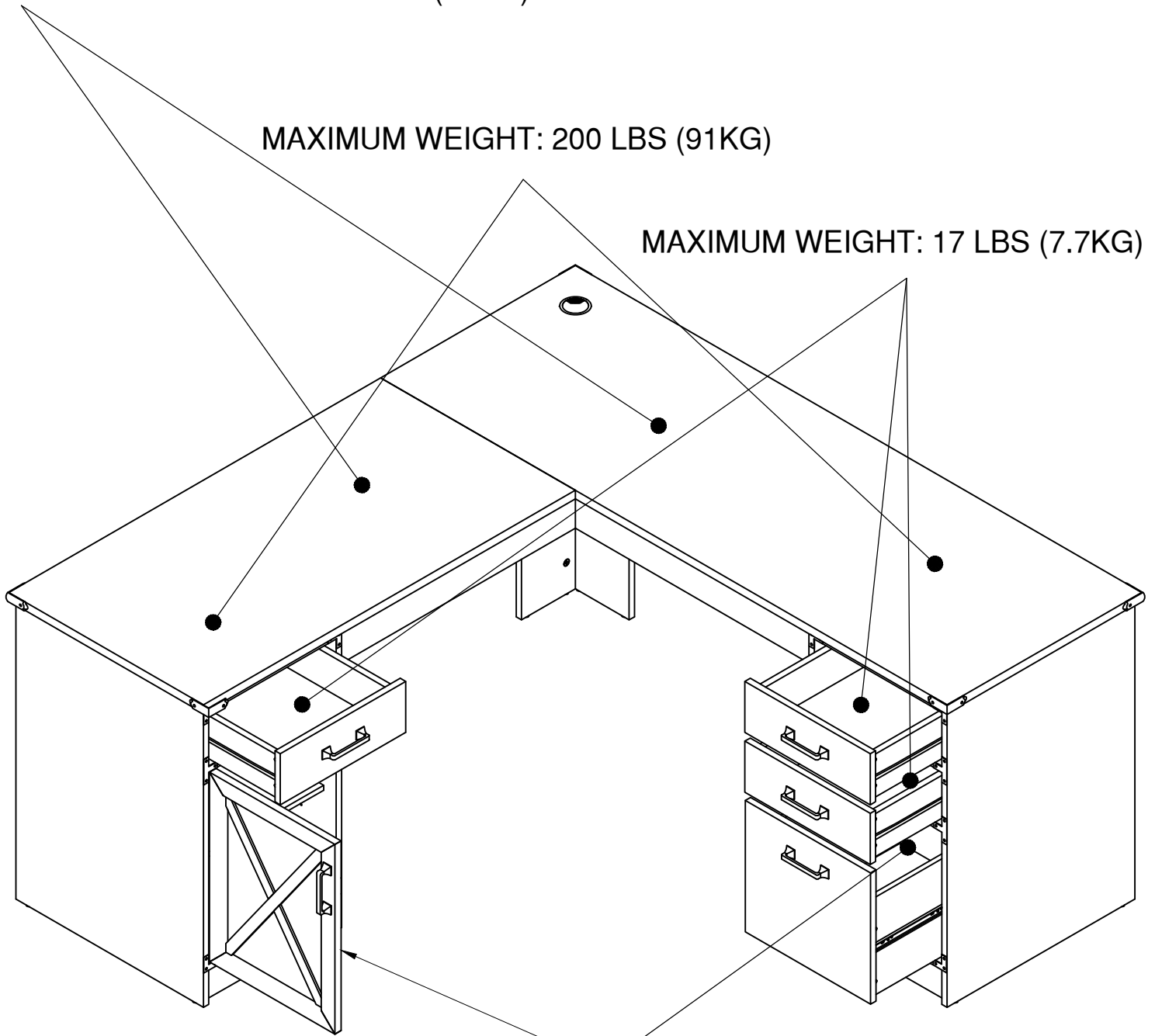


# Maximum weight capacities

MAXIMUM WEIGHT: 110 LBS (50KG)

MAXIMUM WEIGHT: 200 LBS (91KG)

MAXIMUM WEIGHT: 17 LBS (7.7KG)



MAXIMUM WEIGHT: 33 LBS (15KG)