

INSTRUCTION MANUAL

14FTx 24FT Gazebo

Series A17

IF YOU PURCHASED THE GAZEBO ONLINE AND HAVE ANY
QUESTIONS OR CONCERNS
PLEASE CONTACT US VIA EMAIL, TEXT, OR PHONE

EMAIL: service2outdoor@gmail.com

TEXT: +1 628-263-4608 (TEXT ONLY)

PHONE: +1 877-561-6450

Lost accessories or parts costs will be incurred after 90 days
of the date of purchase.

LIMITED WARRANTY

We offer a limited warranty that this product is free from defects in materials and workmanship for a period of one (1) year from the original date of purchase. At its discretion, we may provide replacement parts for defective parts to original purchaser after its own review and examination. Original receipt or proof of purchase as well as proof of defect is required. We will not be responsible for shipping costs incurred outside the continental USA. Warranty is valid for the original purchaser for 1 year from the date of purchase and is not transferable. Regular maintenance of wood, aluminum, and steel components is required to assure the integrity of your product and is a requirement of the warranty. This warranty does not cover any inspection costs.

This Limited Warranty does not cover:

- Labor for replacement of any defective item(s);
- Incidental or consequential damages;
- Cosmetic defects which do not affect performance or integrity;
- Vandalism; improper use or improper installation; acts of nature, including but not limited to wind, storms, hail, floods, excessive water exposure;
- Structural or component failure due to snow loading.
- Minor twisting, warping, checking, cracking, or any other natural occurring properties of wood that do not affect performance or integrity.

Our products have been designed for safety and quality. Any modifications made to the original product could damage the structural integrity of the product leading to failure and possible injury. We can not assume any responsibility for modified products. Furthermore, modification voids any and all warranties.

All replacement products or parts will assume the remaining warranty of the original product. This warranty gives you specific legal rights. You may also have other rights, which vary from state to state.

This product is warranted for RESIDENTIAL USE ONLY. We disclaims all other representations and warranties of any kind, express or implied.

We do not warrant against and under no circumstances shall we be liable or responsible for any personal loss, injury, or direct or indirect incidental or consequential damages resulting from the use of this product

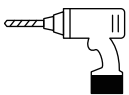
This Warranty gives you specific legal rights. You may have other rights as well which vary from state to state or province to province. This warranty excludes all consequential damages, do not allow the limitation or exclusion of consequential damages, and therefore this limitation may not apply to you, however, some states/provinces do not allow the limitation or exclusion of consequential damages, and therefore this limitation may not apply to you.

WARNING:

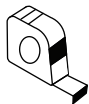
To reduce the risk of serious injury, read the following safety instructions thoroughly before assembling and using the gazebo.

- Check with your local governing authority/local municipal codes regarding installation and permitting of such structures before assembly.
- Use of personal protective equipment including gloves, safety glasses, and closed toe footwear is recommended during assembly.
- Requires two or more people to assemble and install safely and correctly.
- The product is required to be installed on level solid surface and is not intended for unsecured use. The gazebo is to be anchored to the surface with appropriate bolts or anchors. These anchors need to be purchased separately for the specific installation surface. Do not assemble the gazebo on soil, earth, or bare ground.
- Ensure enough clearance around the product. Before assembling the product, find level ground no less than 6' (1.8 m) away from any structures or obstructions, such as fences, buildings, or overhead obstacles.
- Do not assemble or install the gazebo underneath electrical lines or above underground utilities.
- Check for underground utilities before digging or driving stakes into the ground.
- This gazebo is not to be regarded as part of a building/house structure.
- All assembly and maintenance of the product must be carried out by adults only.
- Use all power tools and hand tools in accordance with their respective safety manuals.
- Keep children and pets away while setting up the gazebo.
- The gazebos are NOT flame retardant and will burn. Grills, firepits, and chimneas create a fire hazard and should not be placed under or near your structure.
- Do not hang heavy weights from the roof frame.
- Do not climb onto the roof of the gazebo for any reason.
- Check all nuts and bolts monthly to ensure bolts/nuts are tightened.
- Check the metal hardware monthly to ensure there are no exposed sharp edges or rust. Sand sharp edges or rust with sandpaper and apply touch up paint. Always use lead free paint that conforms to 16 CRF Part 1303.

Needed for assembly: *(The following tools are not included)*



Drill



Tape Measure



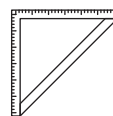
Hammer



Screwdriver



Level



Framing Square



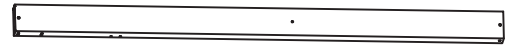
Ladder



Two or more people



A 4x



A3 2x



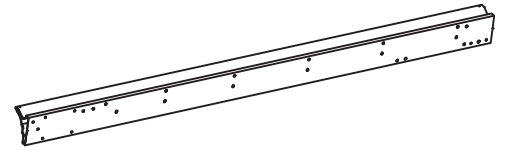
B11 2x



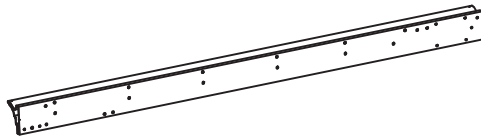
B12 2x



B22 2x



B19 2x



B20 2x



E4 4x



C3 2x



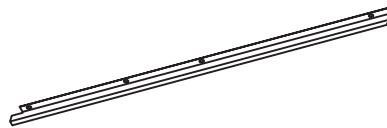
C4 2x



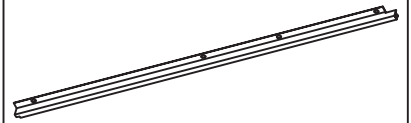
C5 2x



C6 2x



C15 2x



C16 2x



D13 4x



D14 4x



D29 2x





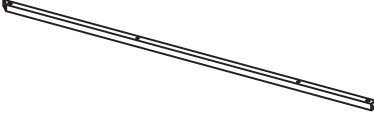

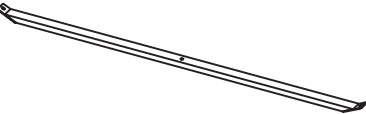
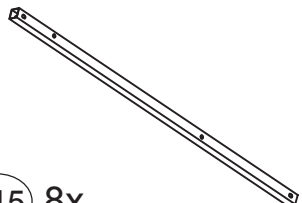
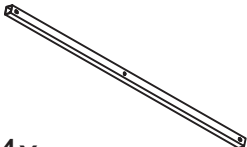

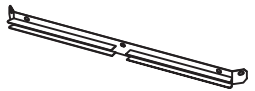







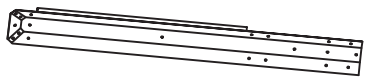
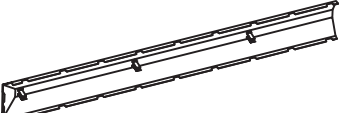

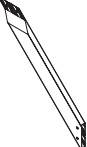
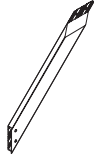
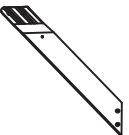
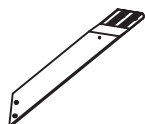
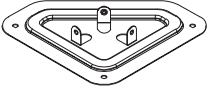
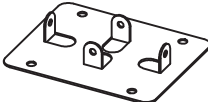
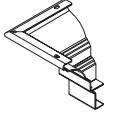
D30 2x

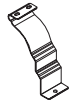

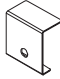
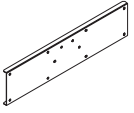

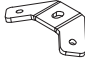
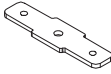
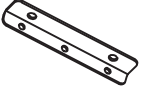
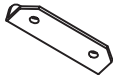
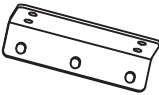
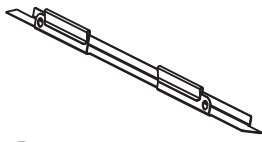
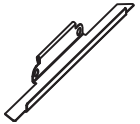
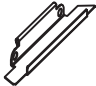
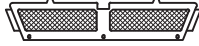





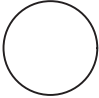
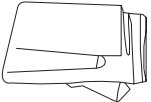
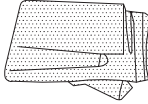
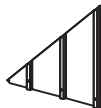











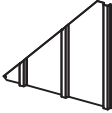
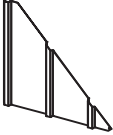
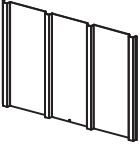








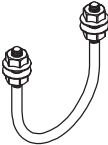

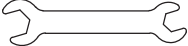

D31 2x



E5 4x

			
E7 8x	E8 2x	F6 8x	
			
F7 8x	F8 4x	F15 8x	
			
F16 4x	F17 2x	I1 2x	
			
I15 2x	I16 2x	I17 2x	
			
G1 2x	G15 2x	G16 2x	
			
G17 2x	L8 2x	M8b 2x	
			
L8b 1x	H 4x	H1 4x	H3 2x
			
H4 2x	J 4x	J1 2x	K 4x

			
K1 6x	N 8x	N1 4x	P 6x
			
V 6x	W 8x	W1 20x	W3 8x
			
W4 12x	W5 4x	Z 72x	Z1 16x
			
Z2 8x	V1 2x	V10a 2x	V10b 2x
			
V10c 2x	U 176x	Y 154x	Za 2x
			
T 4x + 2x	T1 4x + 2x		
			
R1 4x	R2 4x	R3 4x	R4 4x
			
P5 4x	P6 4x	P9 6x	P10 4x

 P11 2x	 P12 2x	 S1 4x	 S2 4x
 S3 10x			
 M6x15 1 480x	 M6x23 2 110x	 ST 4.8x12 4 28x	 5 4x
 M6x47 7 44x	 8 16x	 M6x10 9 16x	 10 20x
 11 1x	 4mm 12 2x	 14 1x	 M5x15 15 48x

<1>

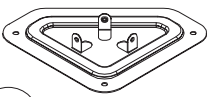
A 4x



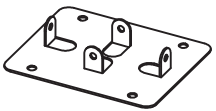
A3 2x



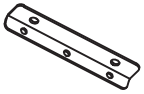
J 4x



J1 2x



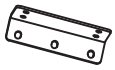
W3 8x



W4 12x



W5 4x



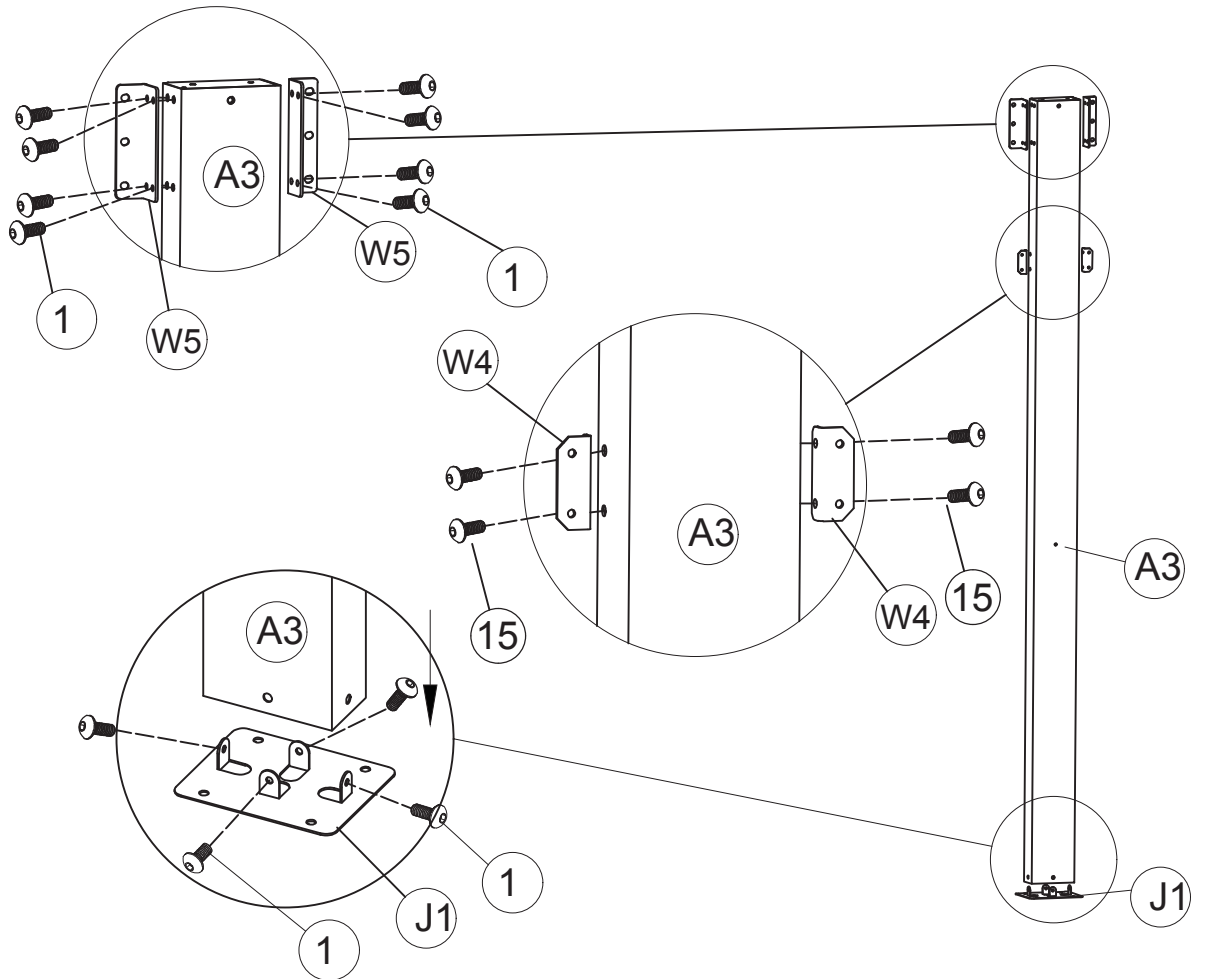
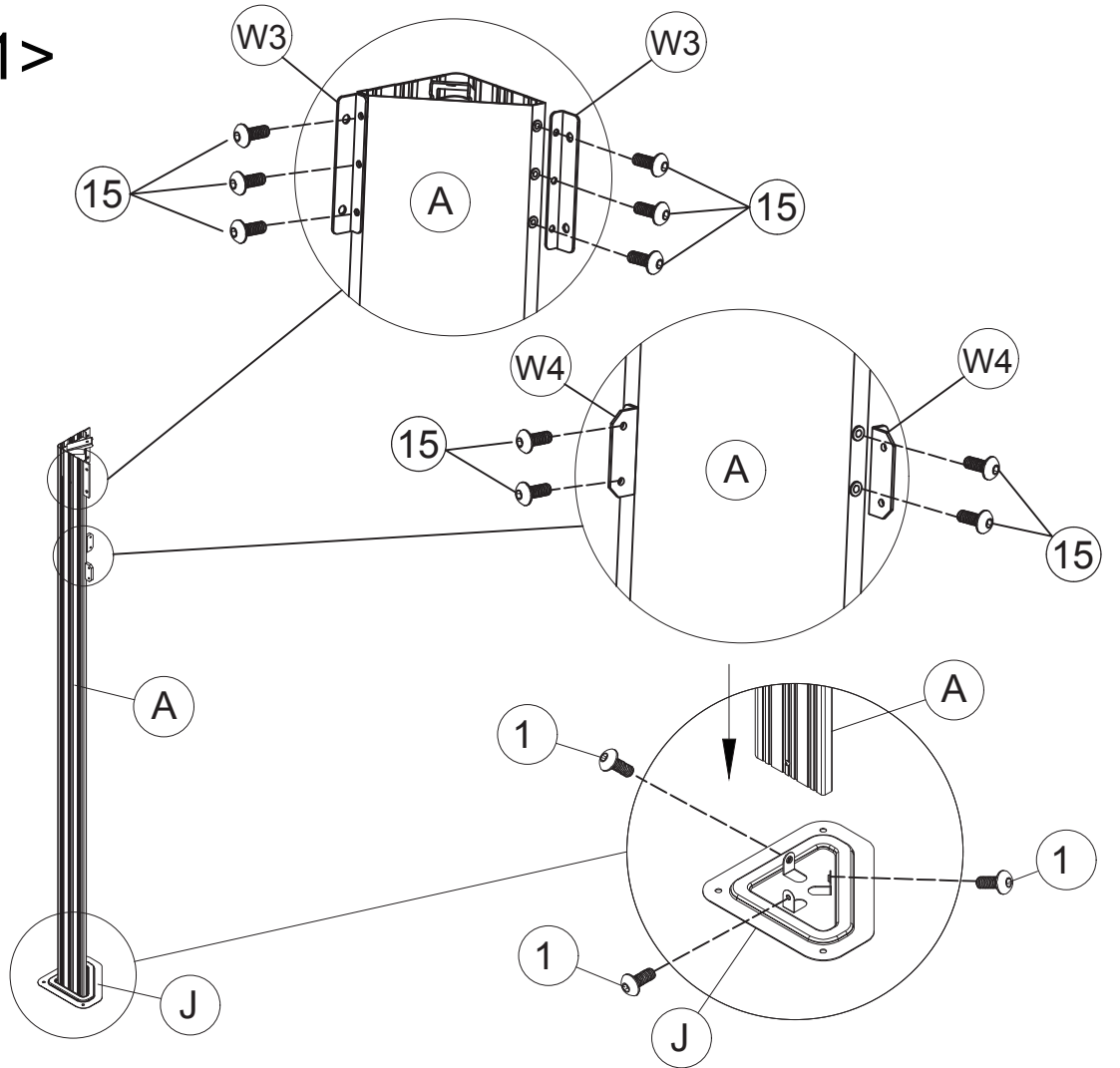
1 36x
M6x15



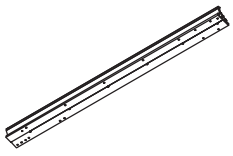
15 48x
M5x15



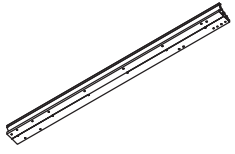
8



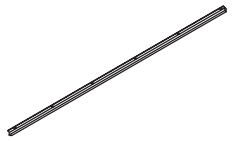
<2>



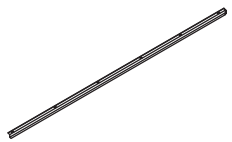
B11 2x



B12 2x



C3 2x



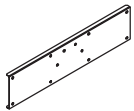
C4 2x



D13 2x



D14 2x

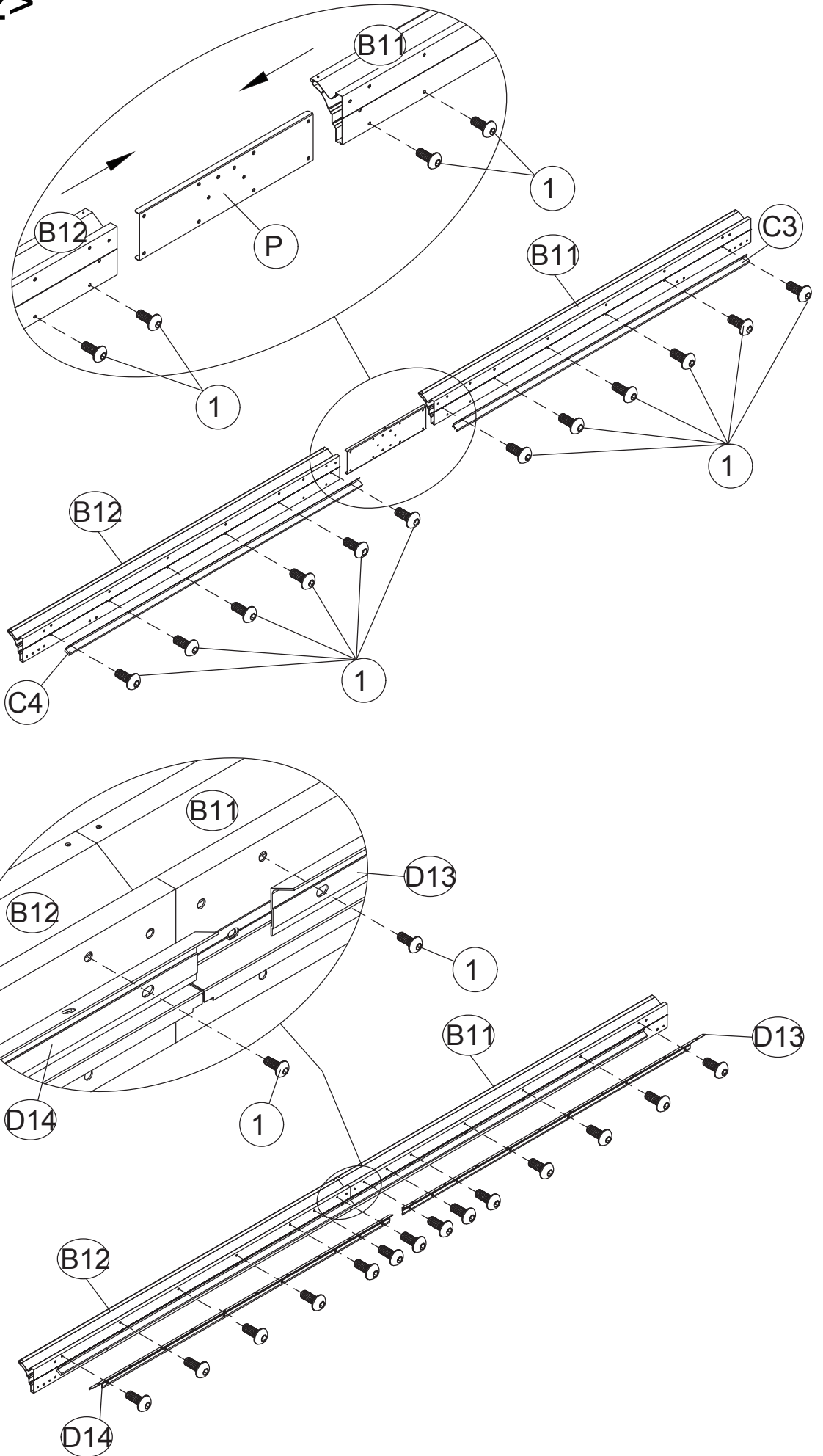


P 2x

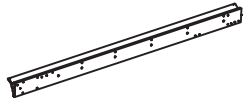


1 60x M6x15

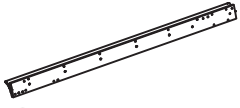
9



<3>



B19 2x



B20 2x



C5 2x



C6 2x



D13 2x

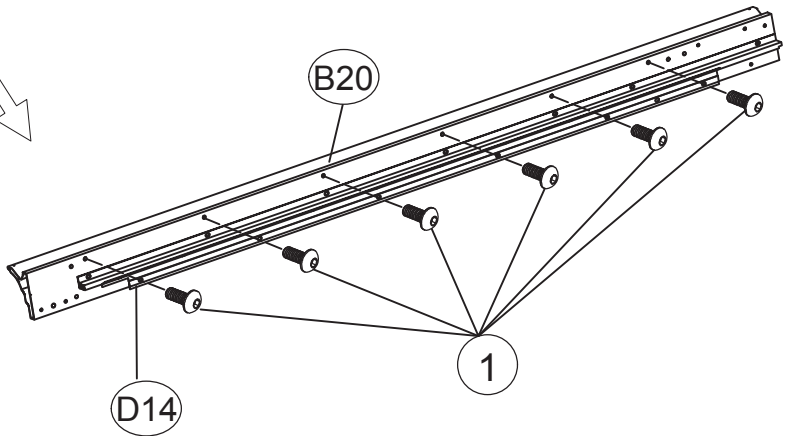
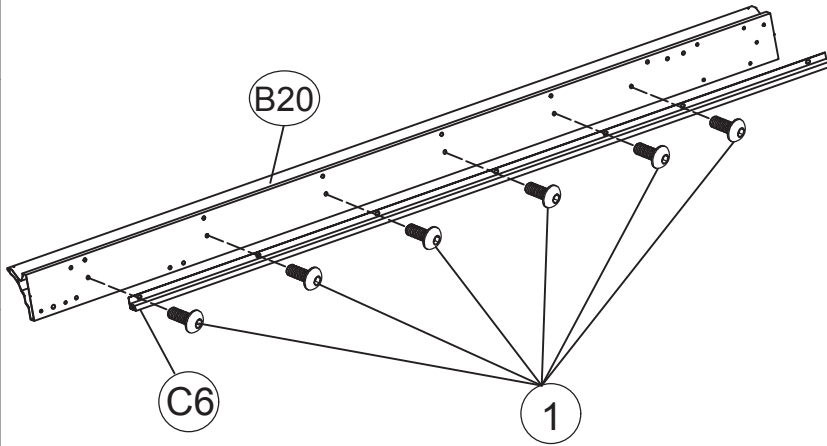
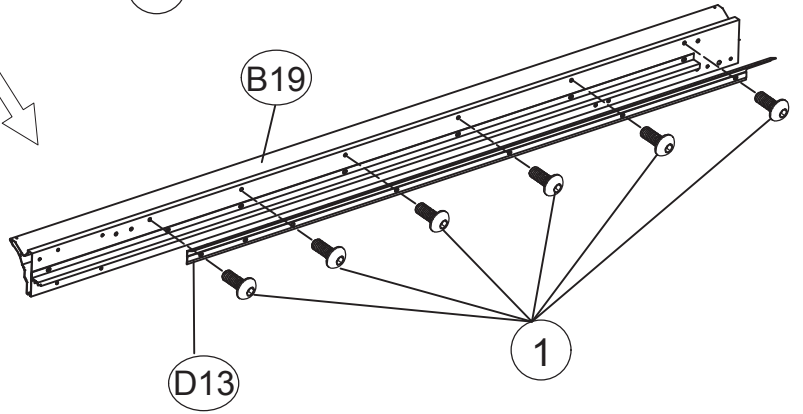
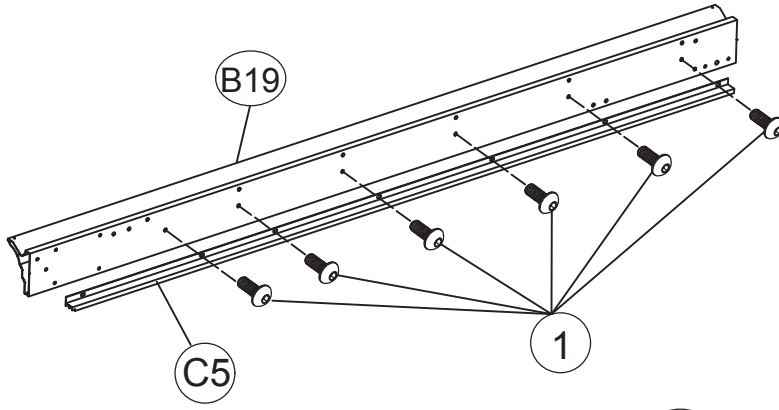


D14 2x

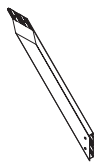


M6x15

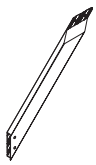
1 48x



<4>



H 4x



H1 4x



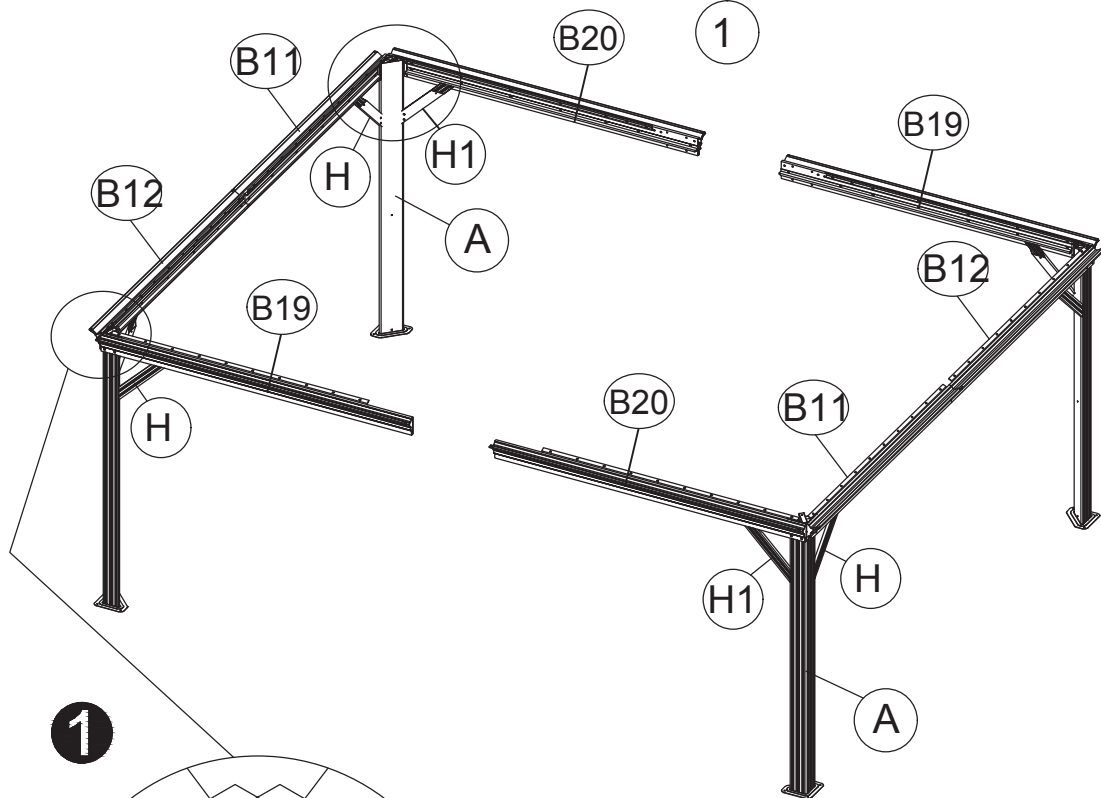
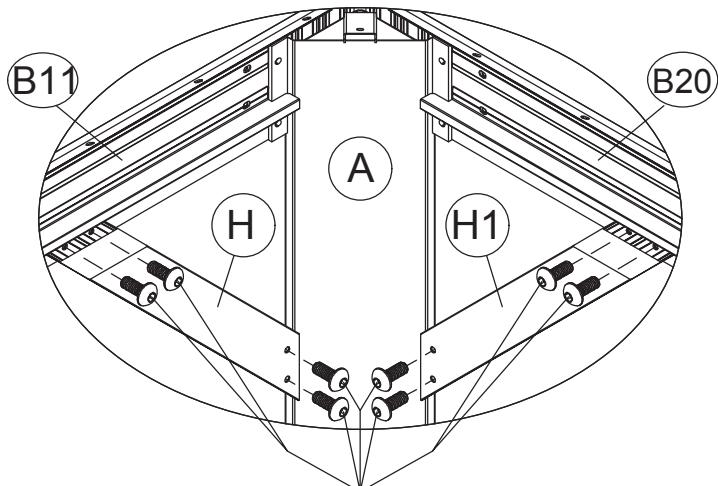
M6x15

1 48x

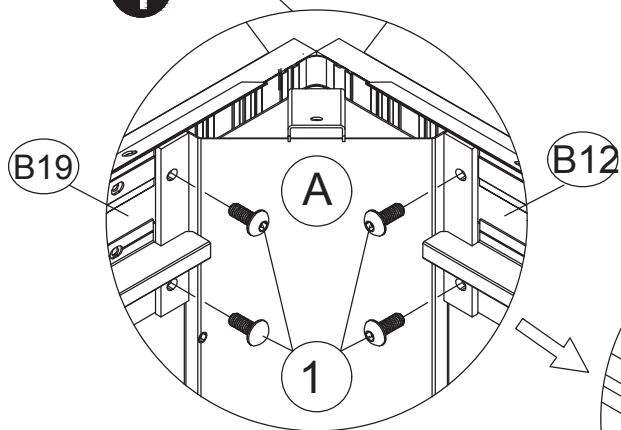


8 16x

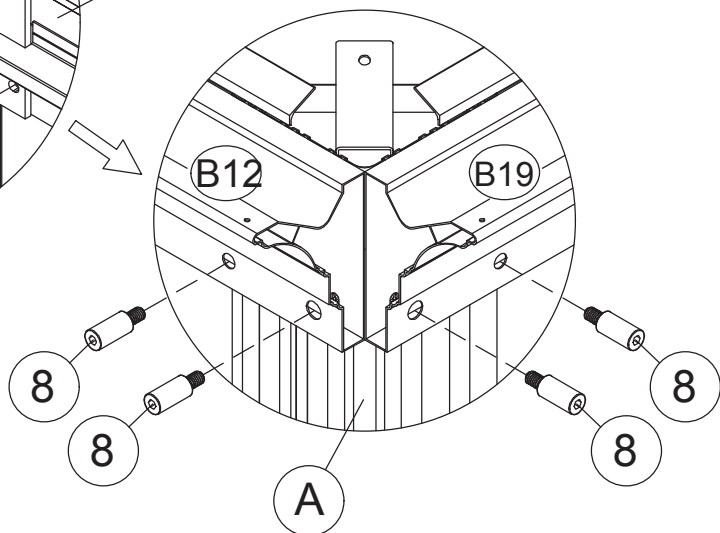
3

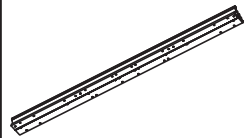


1



2





B22 2x



H3 2x



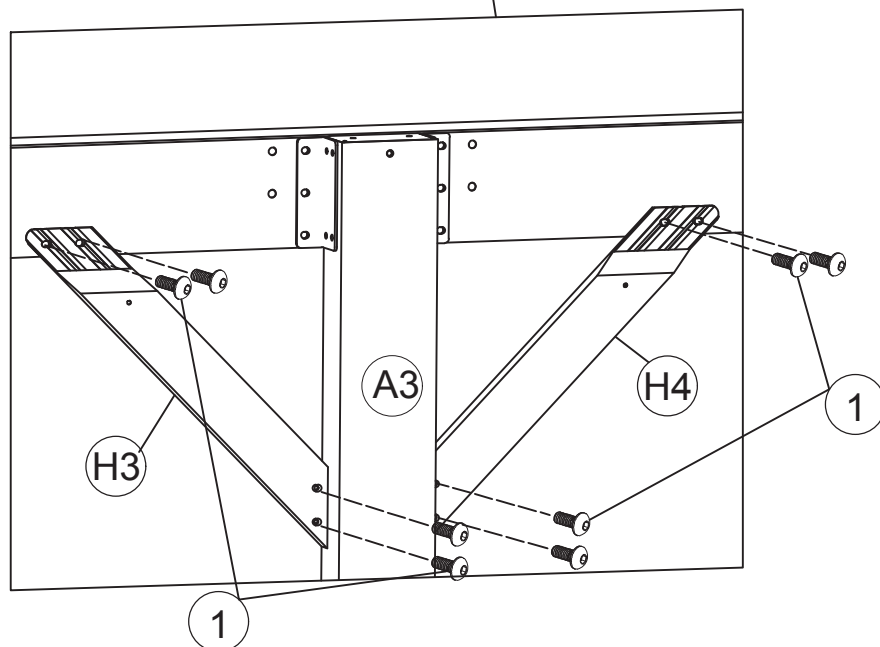
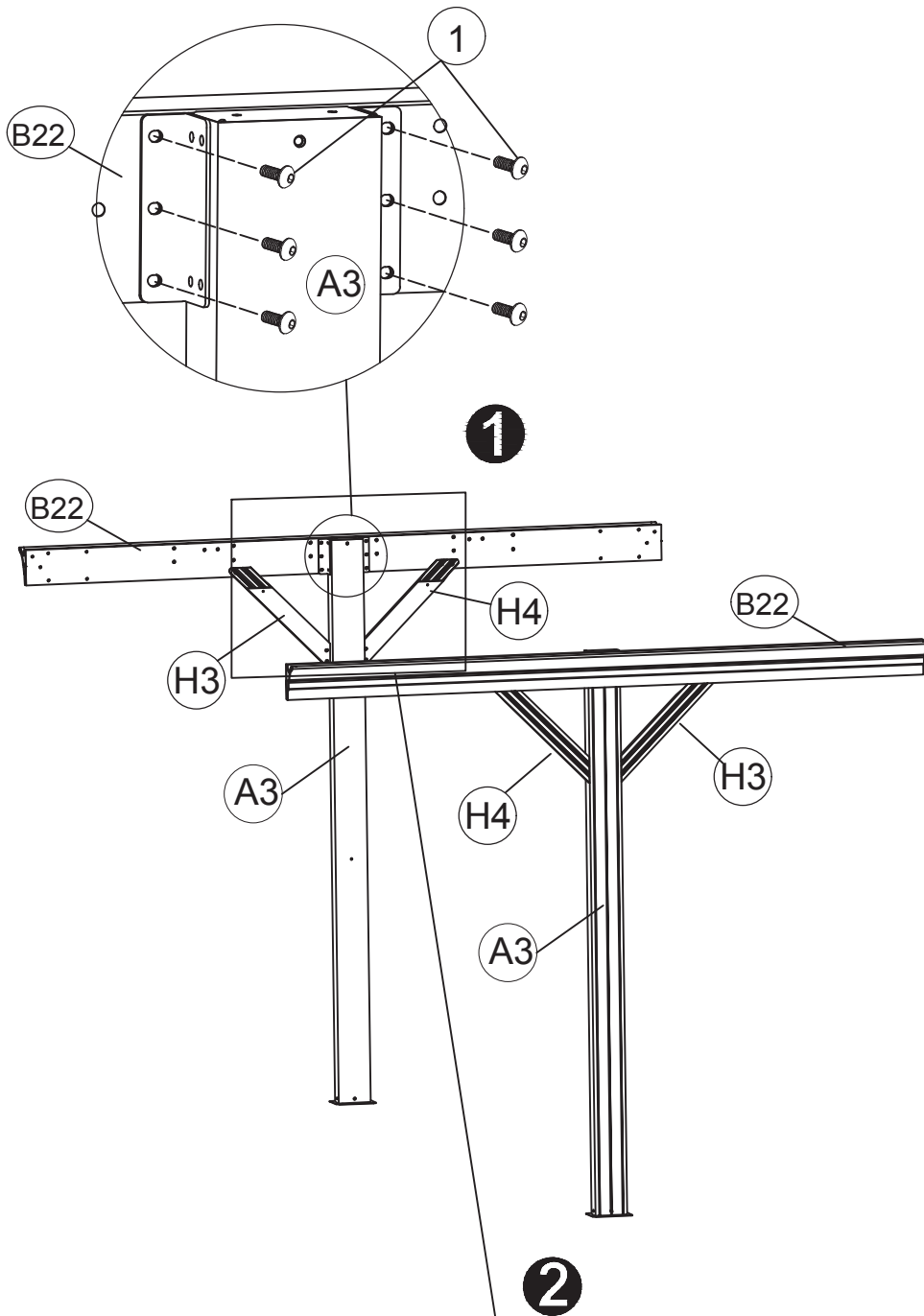
H4 2x



M6x15

1 28x

<5>



<6>



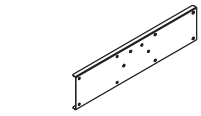
C15 2x



C16 2x



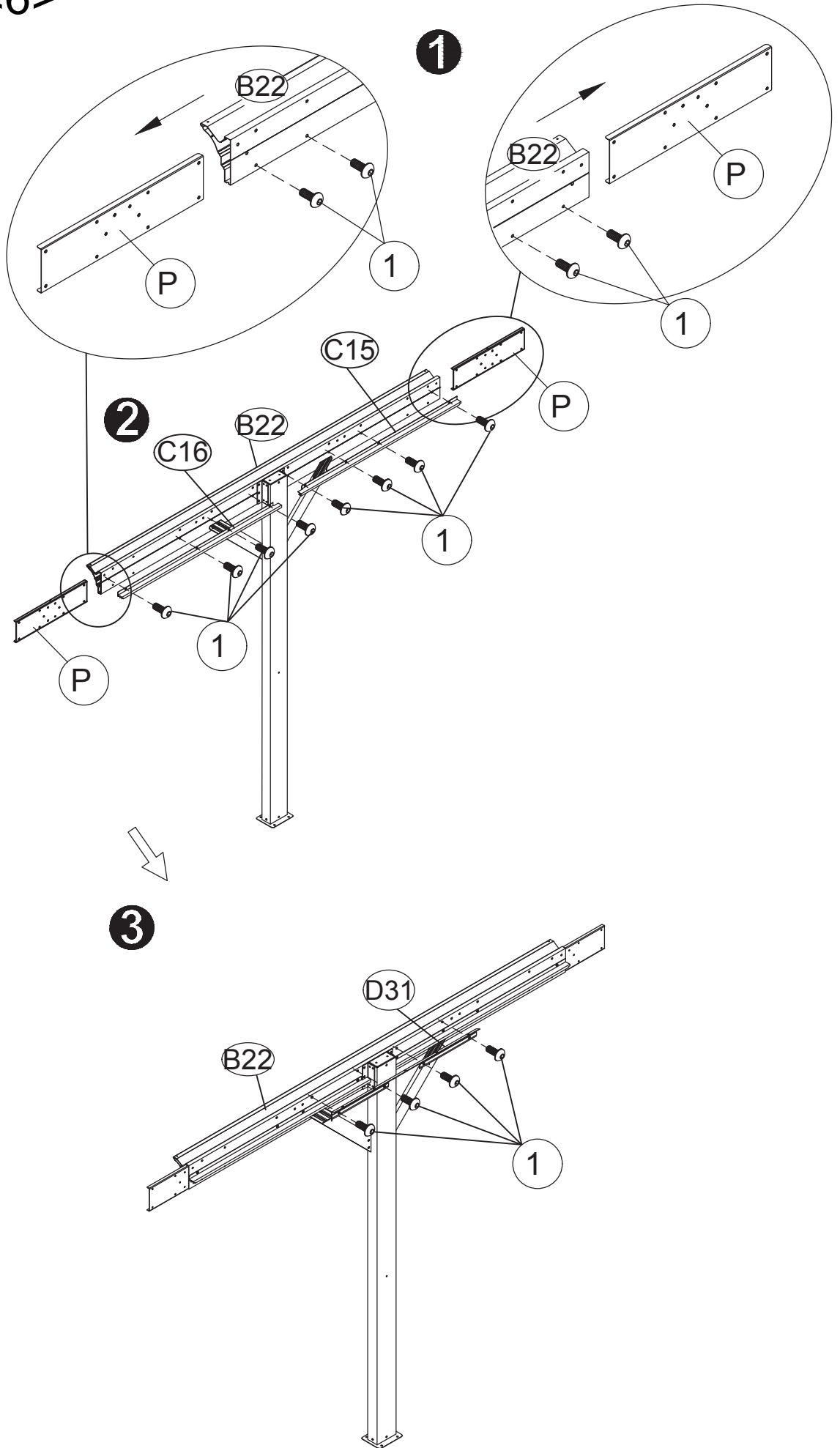
D31 2x



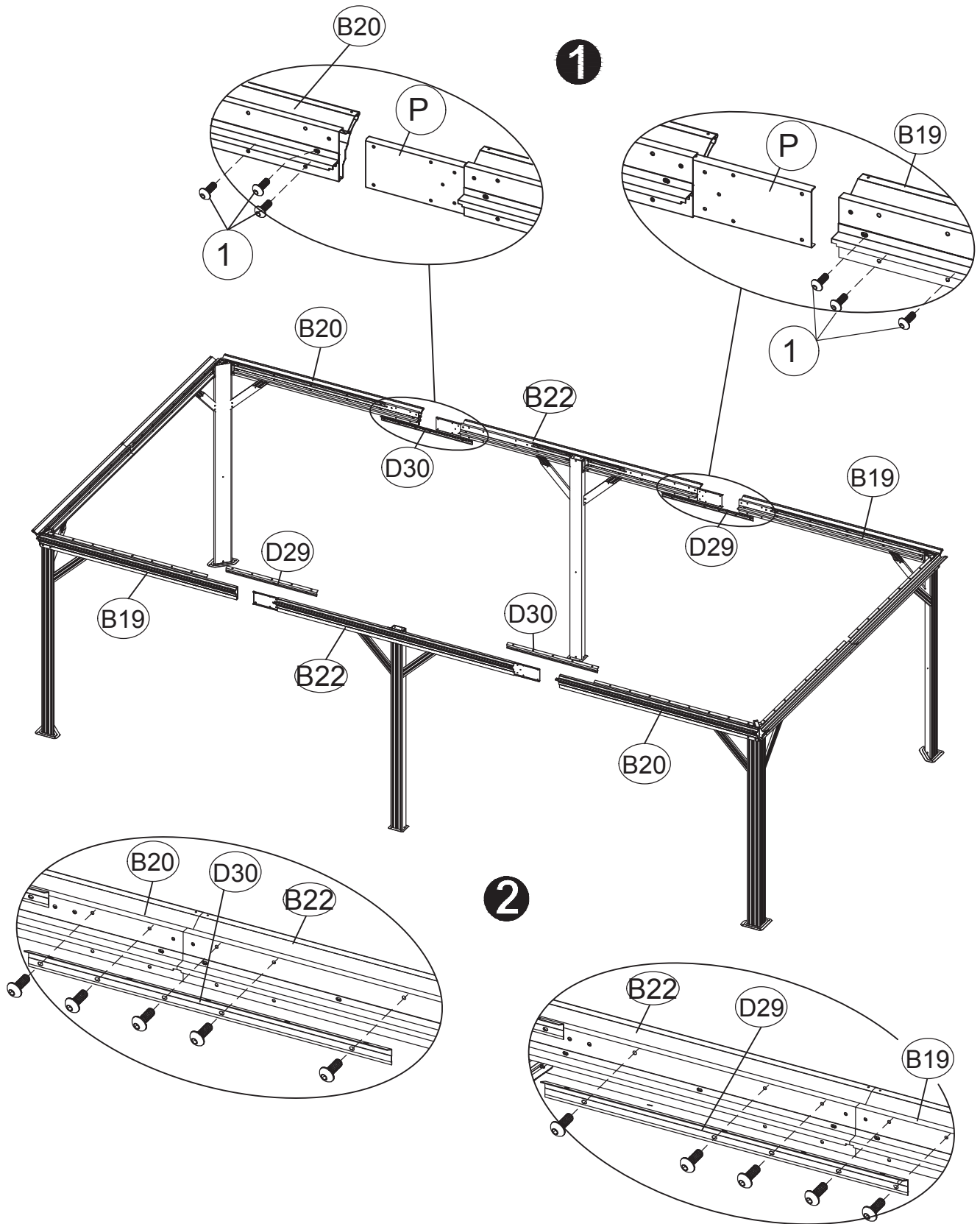
P 4x



1 32x M6x15



<7>



14



D29 2x



D30 2x

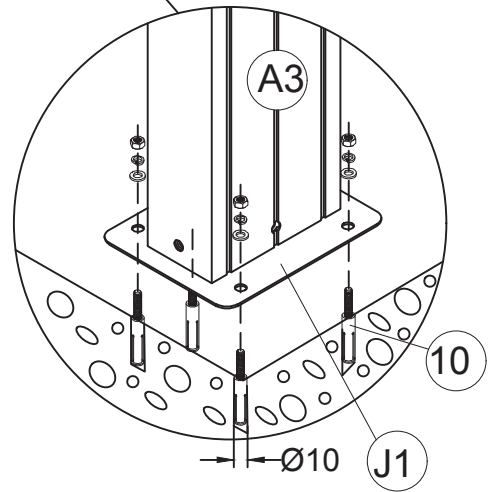
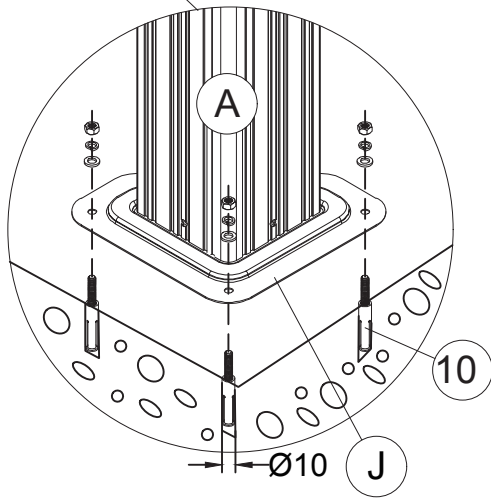
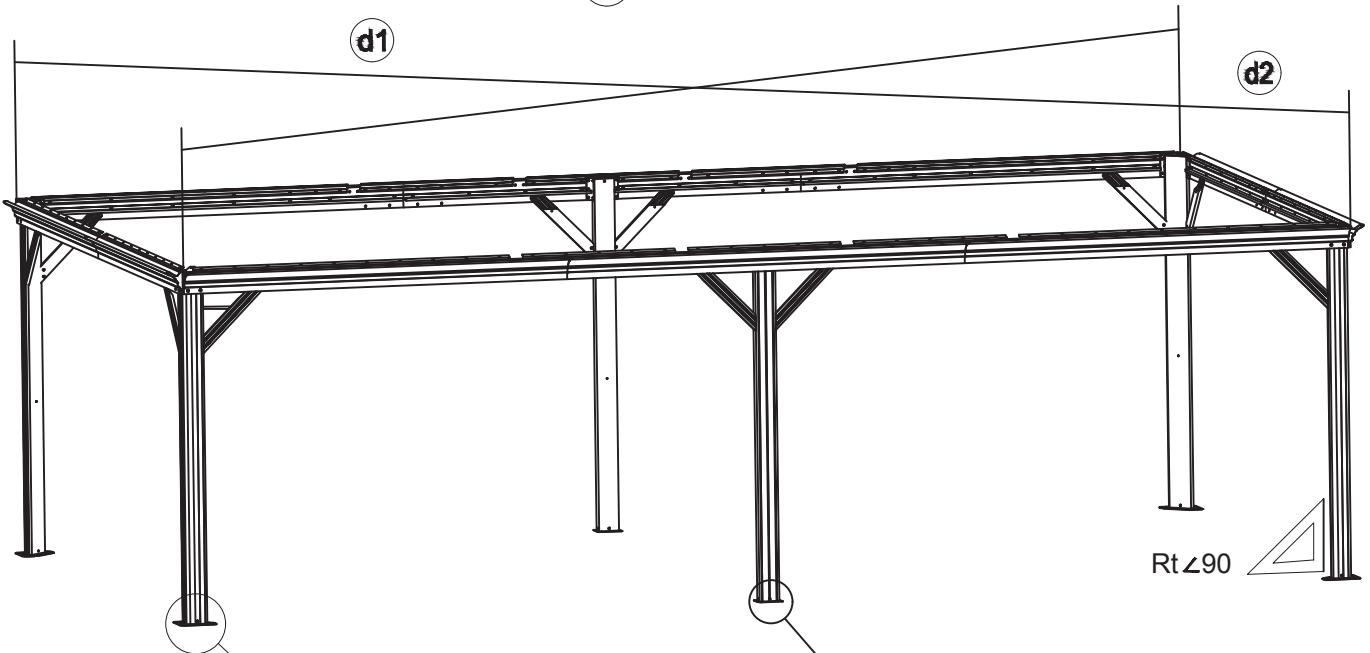


1 32x

M6x15

<8>

i d1=d2

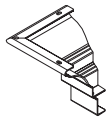


Tips: Please measure to make sure the length of d1 is equal to d2 before moving to next step to ensure a square frame and best results. Otherwise, please loosen the "H" or "H1" screws and adjust them. Keep the beam at right angles to the post, the post at right angles to the ground, and keep the beam horizontal.



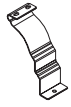
10 20x

15



<9>

(K) 4x



(K1) 6x



(U) 176x



(V) 6x



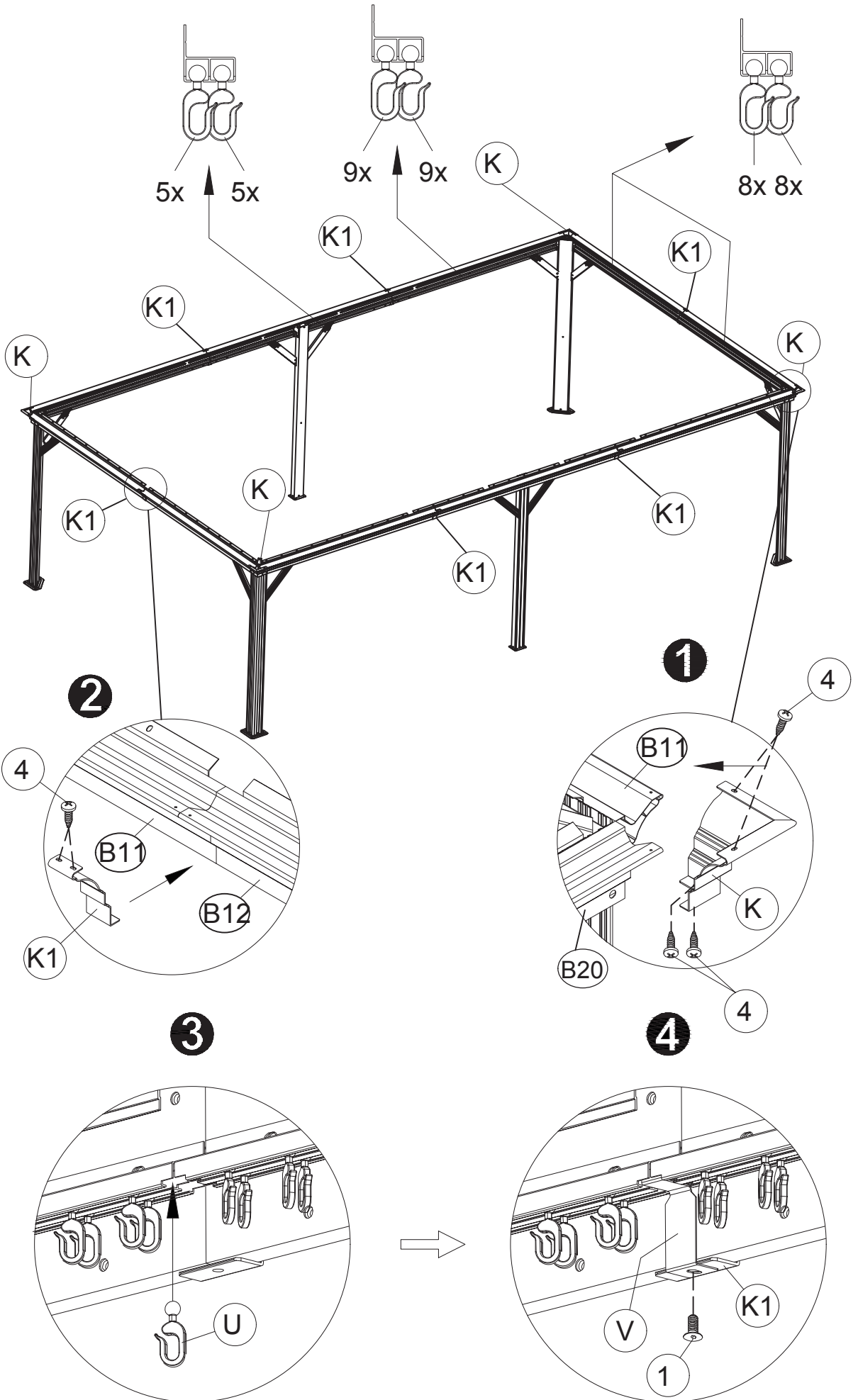
(1) 6x

M6x15



ST4.8x12

(4) 28x



<10>



F17 2x



L8 2x



L8b 1x



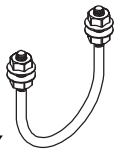
M6x15

1 12x

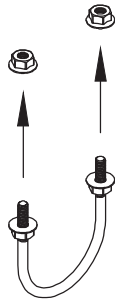
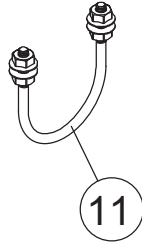


M6x10

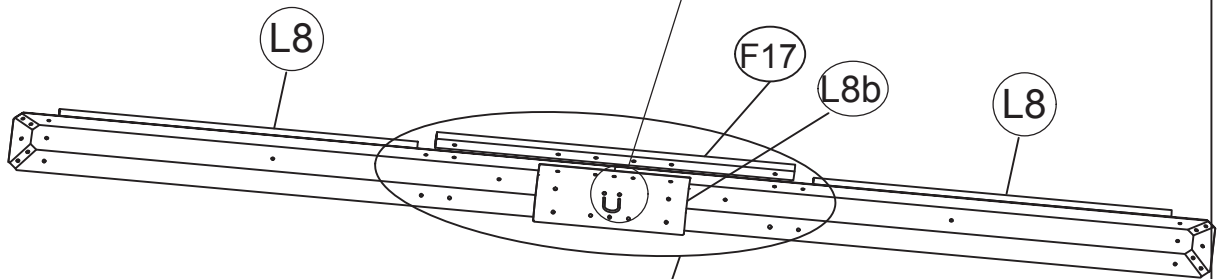
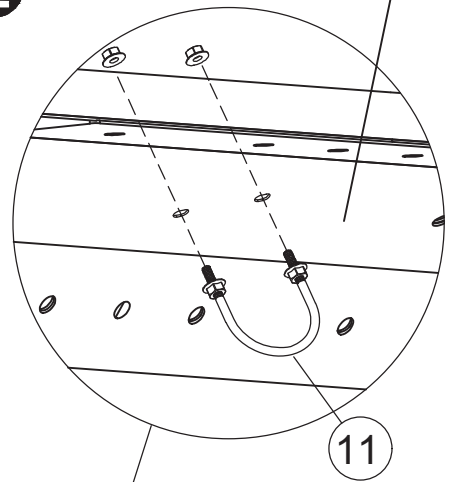
9 2x



11 1x



2



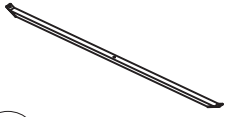
1



<11>



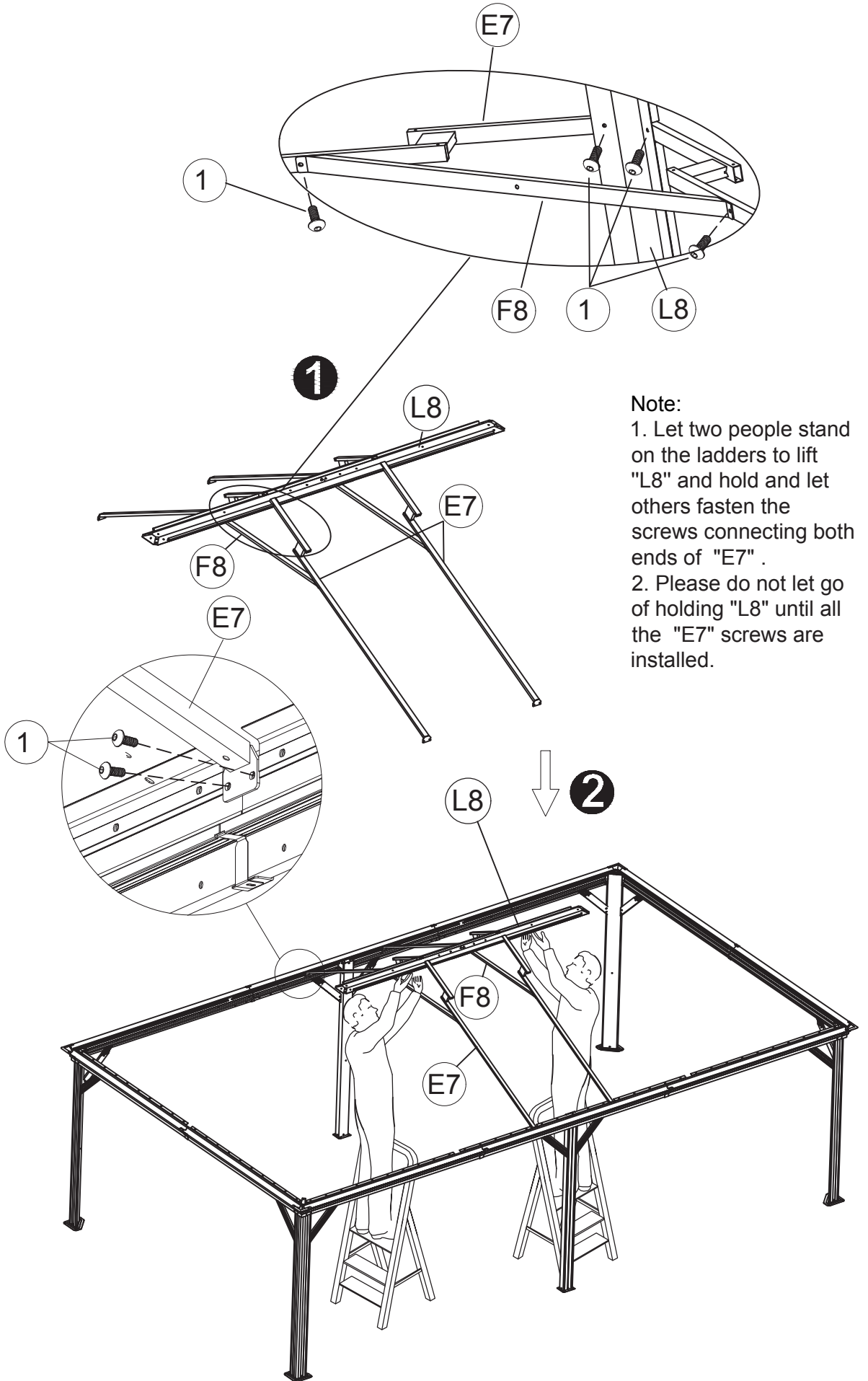
E7 4x



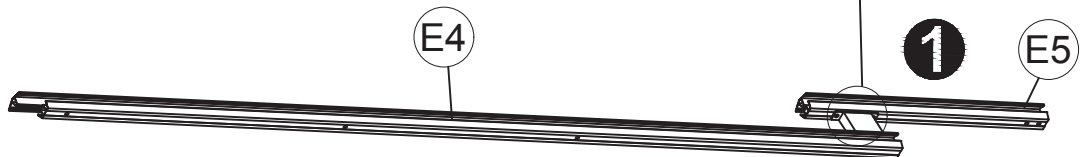
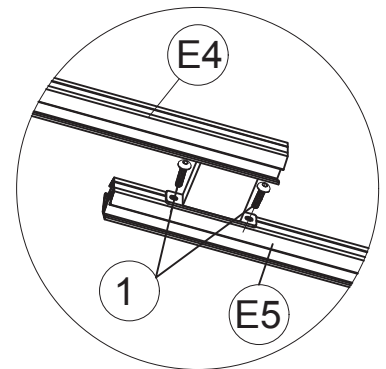
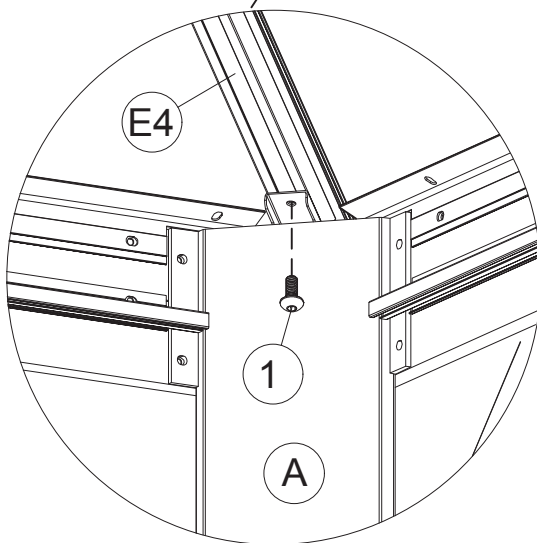
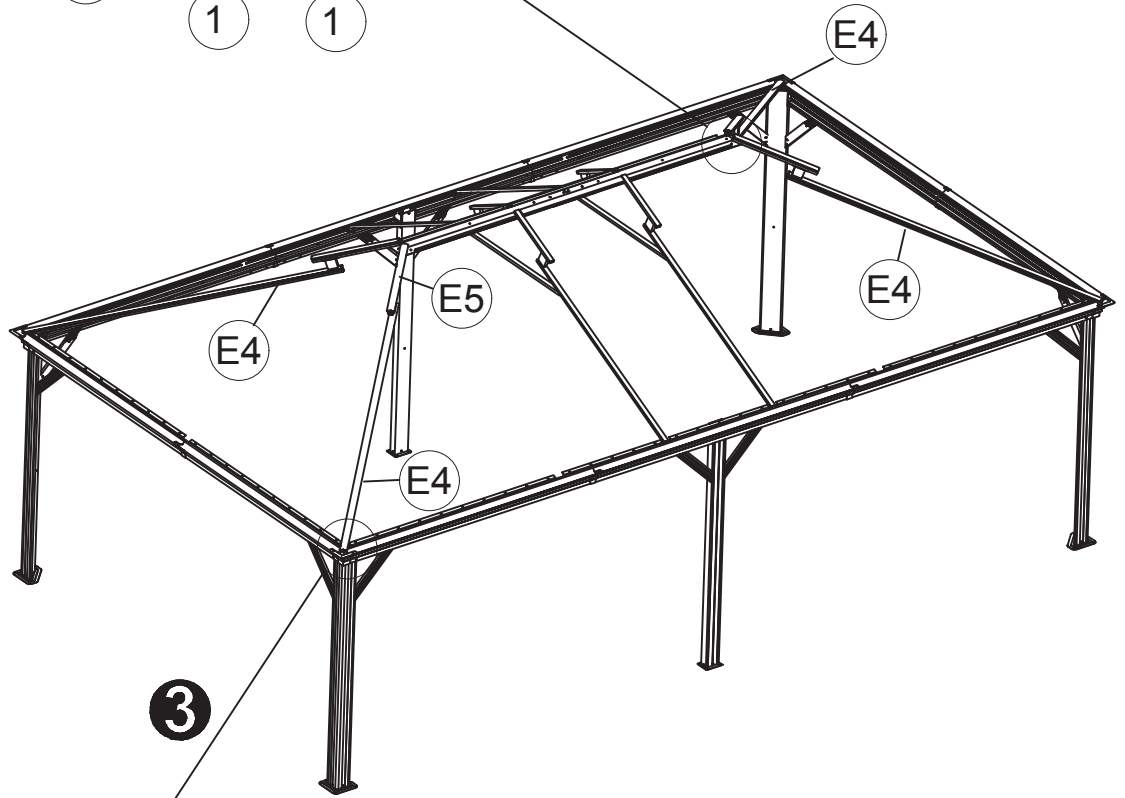
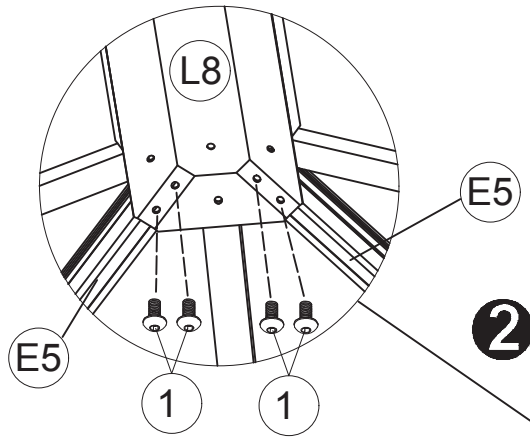
F8 2x



1 16x M6x15



<12>



E4 4x

E5 4x

1 20x

M6x15

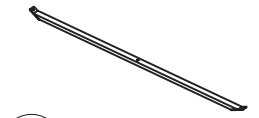
<13>



E7 4x



E8 2x



F8 2x

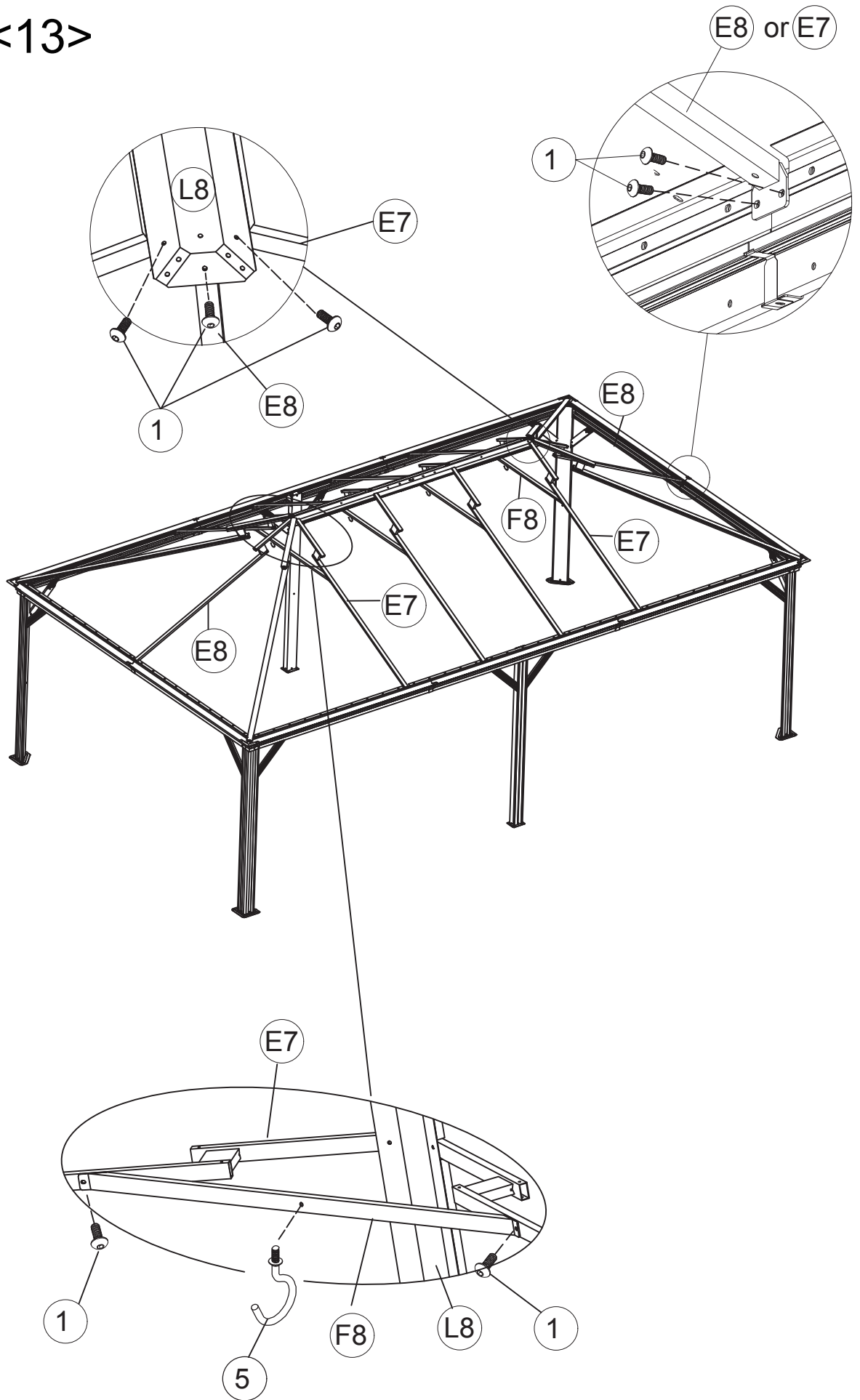


M6x15

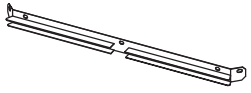
1 22x



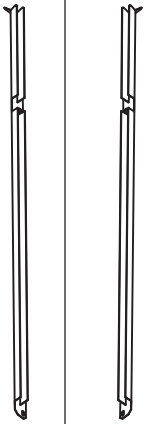
5 4x



<14>



I1 2x



I15 2x

I16 2x



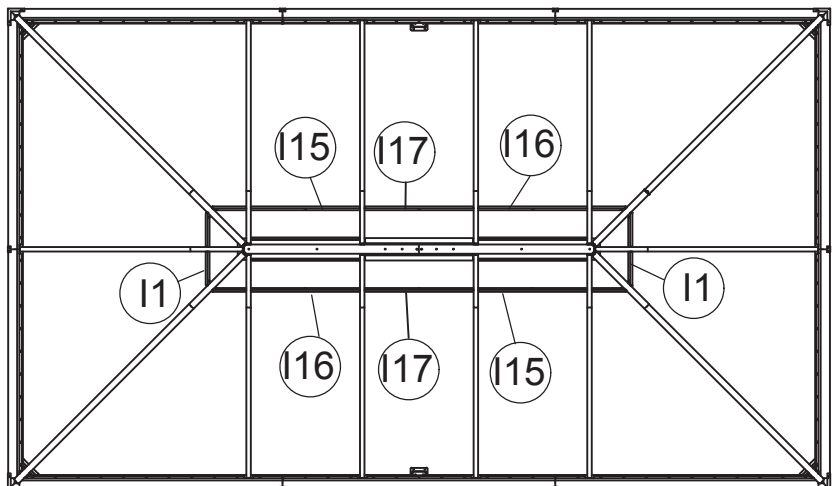
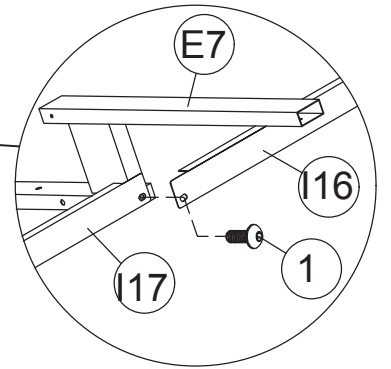
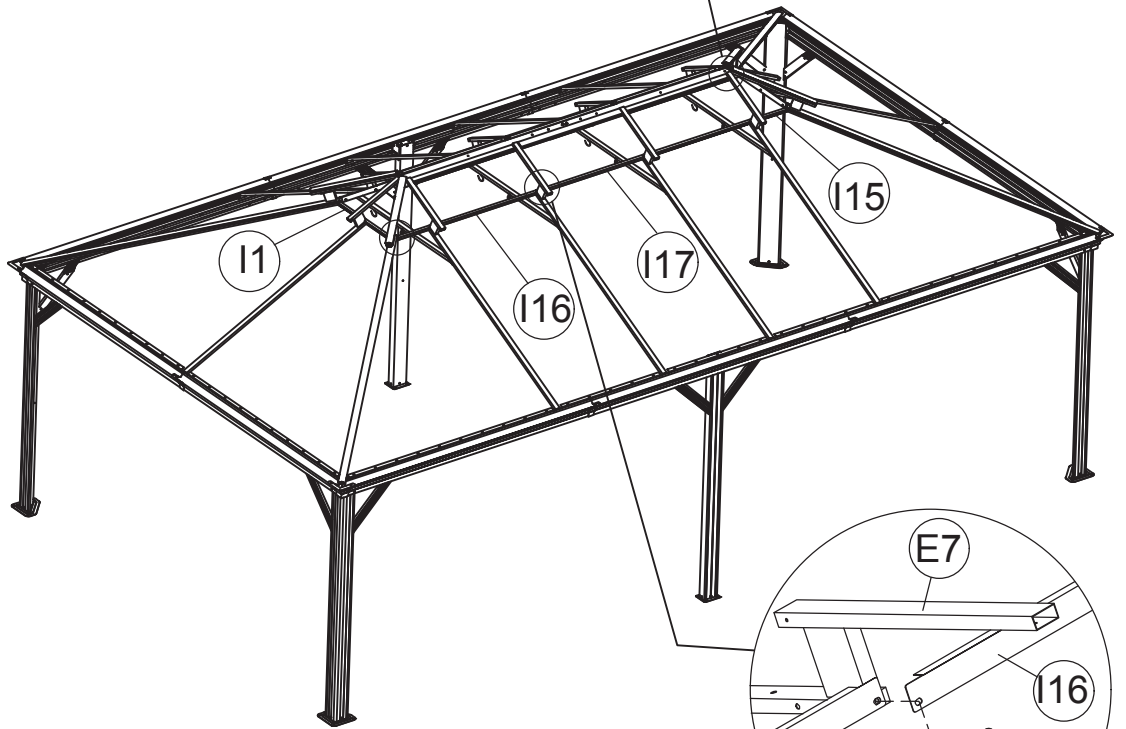
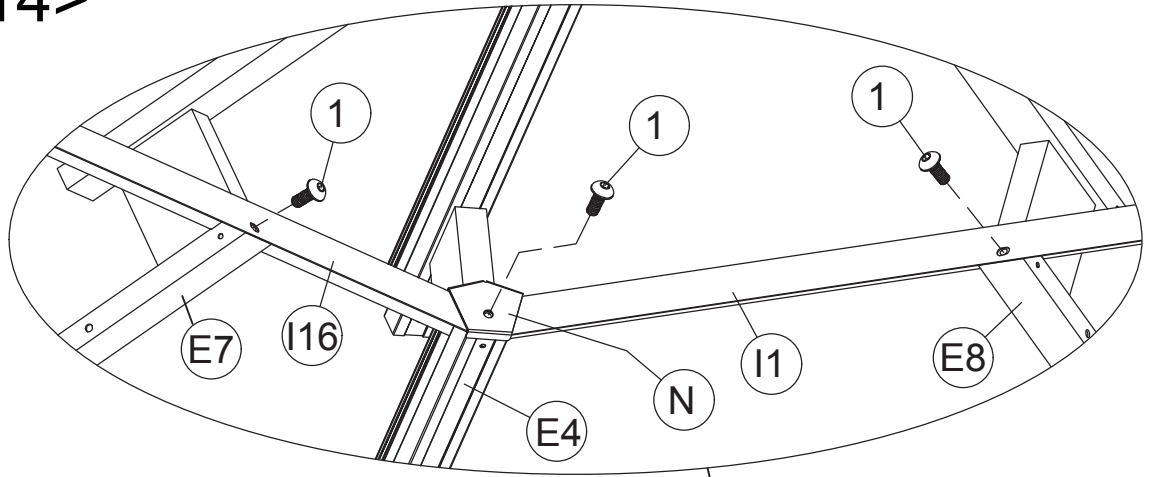
I17 2x



N 4x

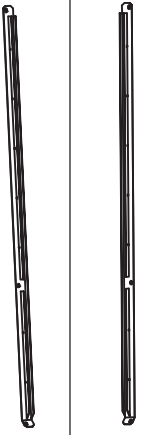


1 14x
M6x15



<15>

G1 2x



G15 2x

G16 2x



G17 2x



N 4x



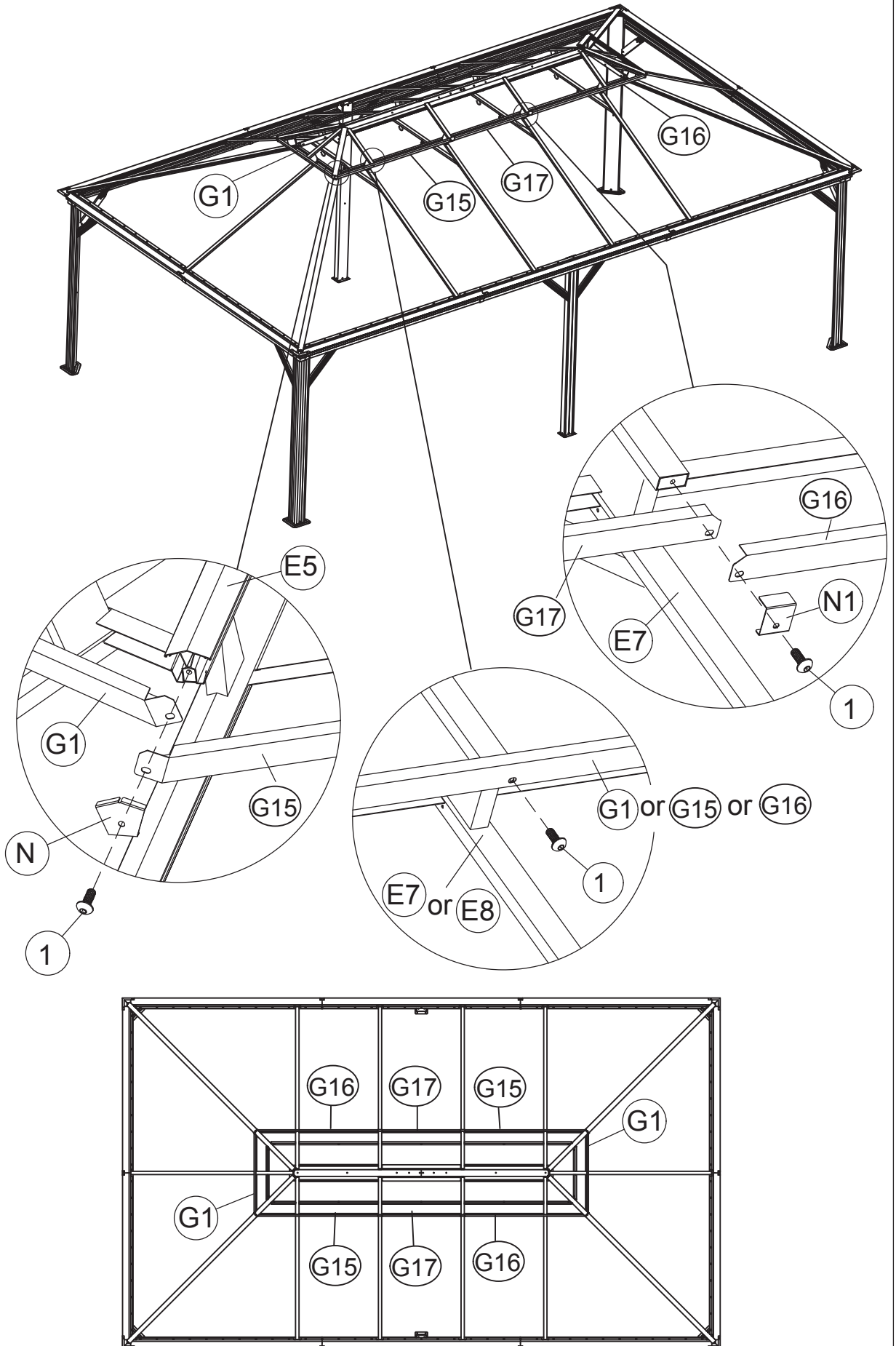
N1 4x



1 14x

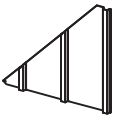
M6x15

22

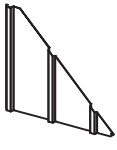


<16>

S1 2x



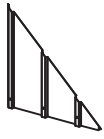
S2 2x



R1 2x



R2 2x



R3 2x



R4 2x



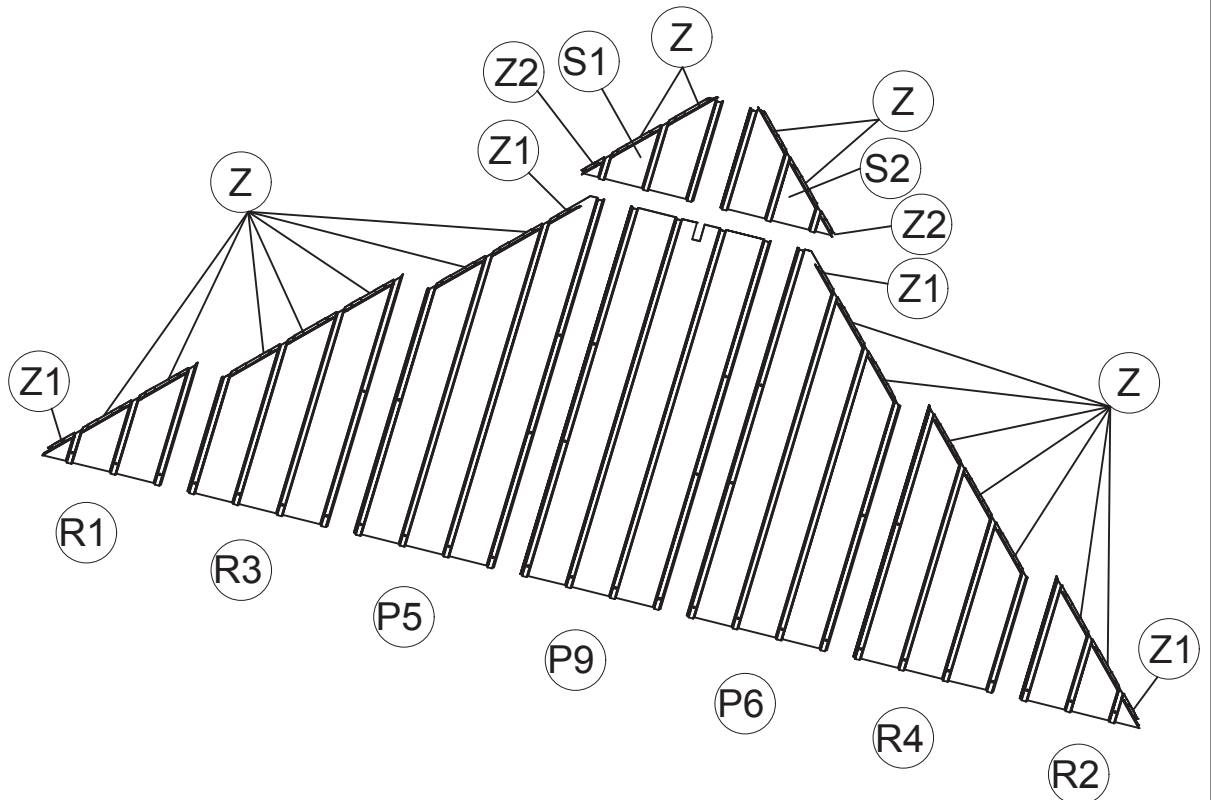
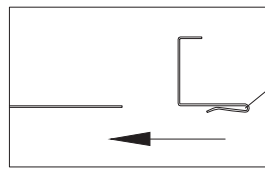
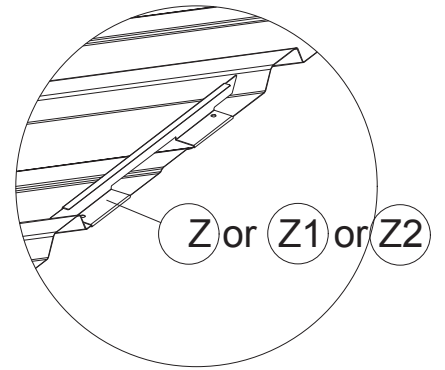
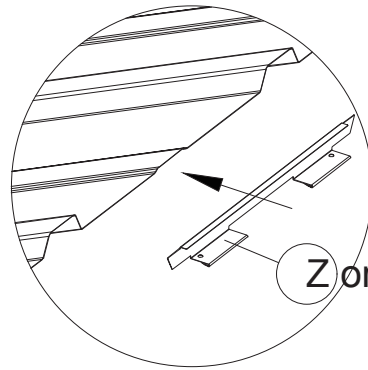
P5 2x



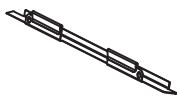
P6 2x



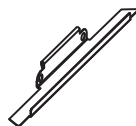
P9 2x



23



Z 36x

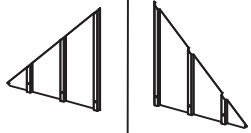


Z1 8x

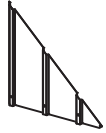


Z2 4x

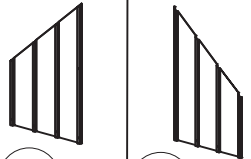
<17>



R1 2x



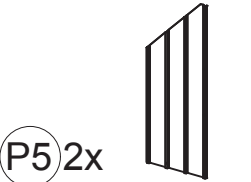
R2 2x



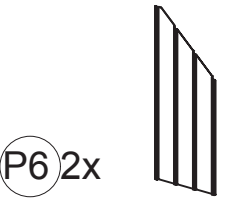
R3 2x



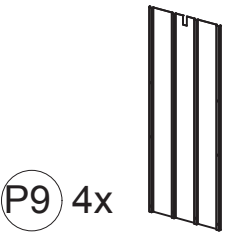
R4 2x



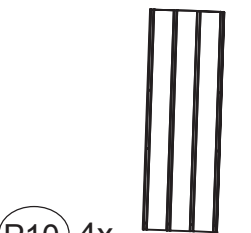
P5 2x



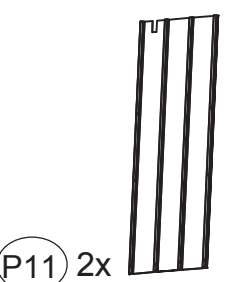
P6 2x



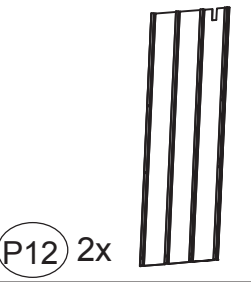
P9 4x



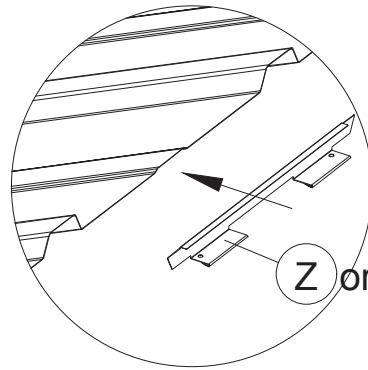
P10 4x



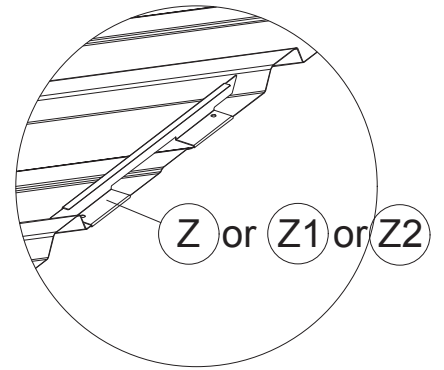
P11 2x



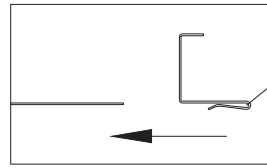
P12 2x



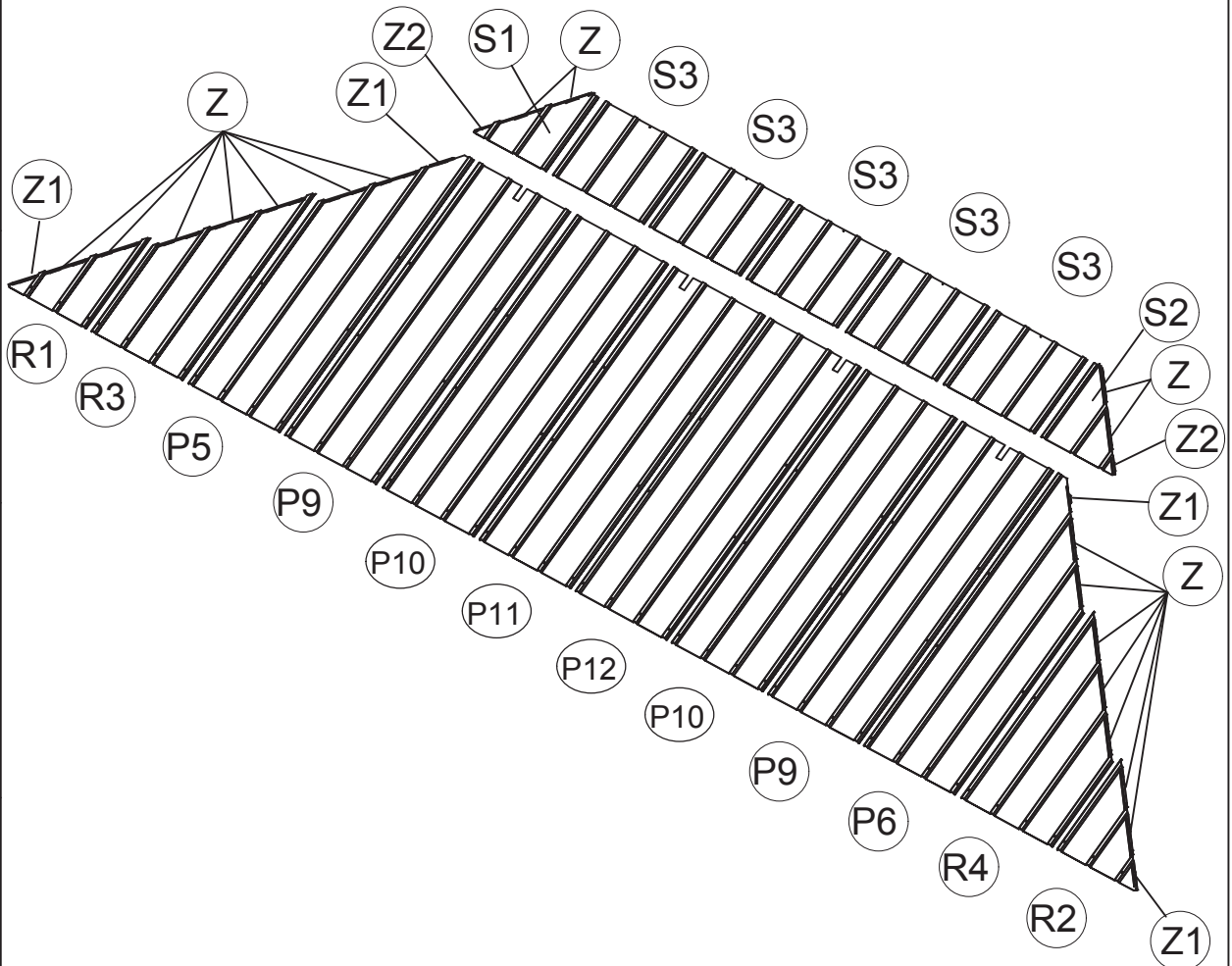
Z or Z1 or Z2



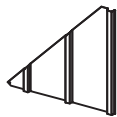
Z or Z1 or Z2



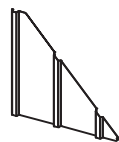
Z or Z1 or Z2



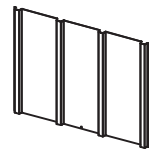
24



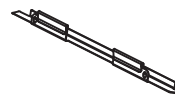
S1 2x



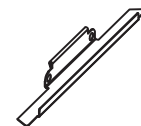
S2 2x



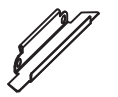
S3 10x



Z 36x

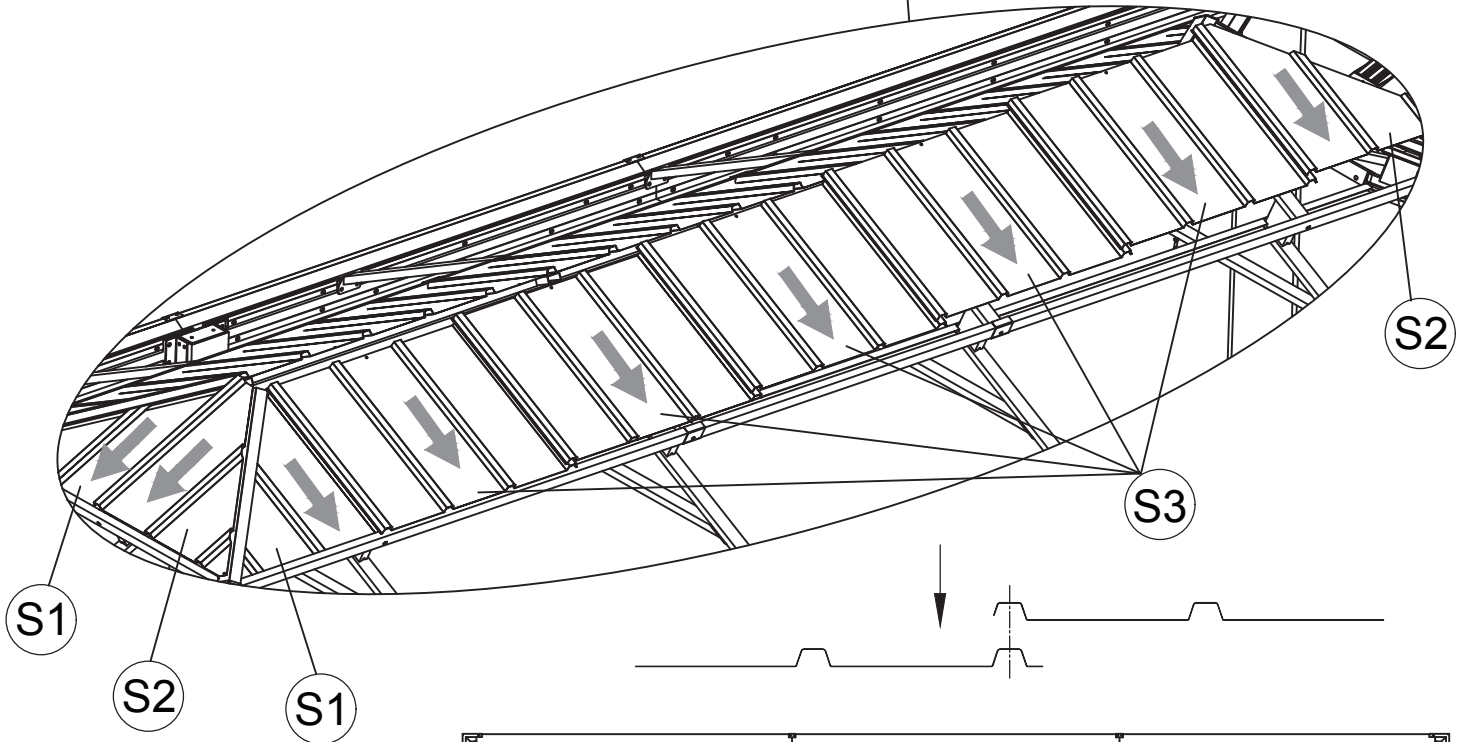
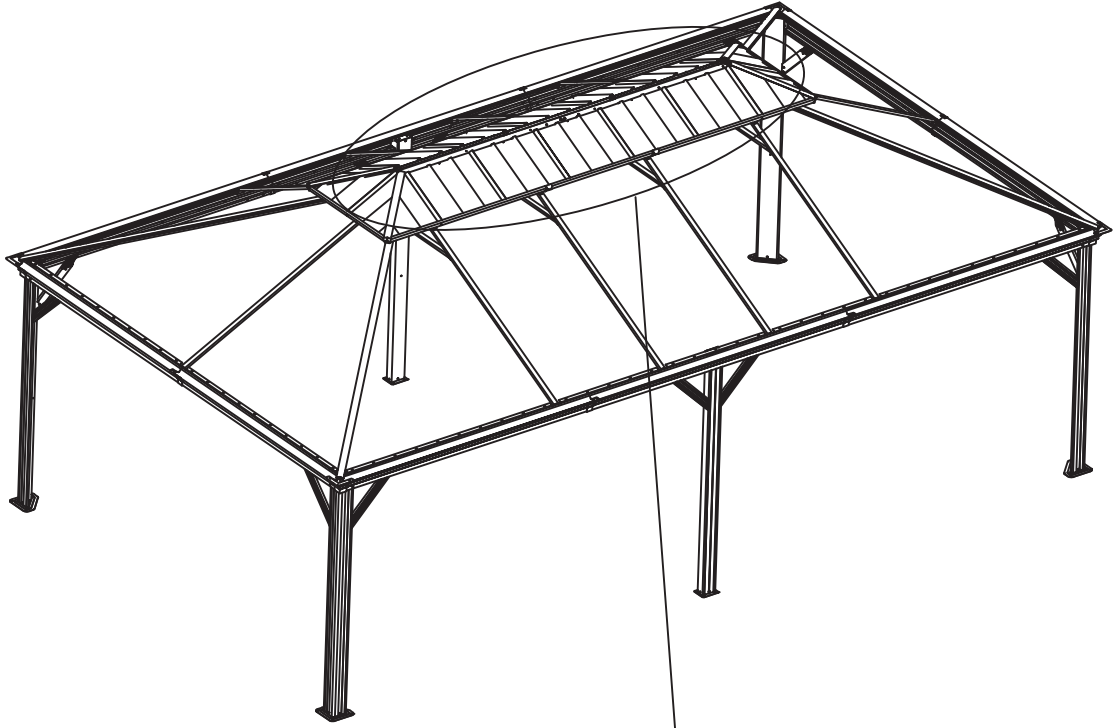


Z1 8x

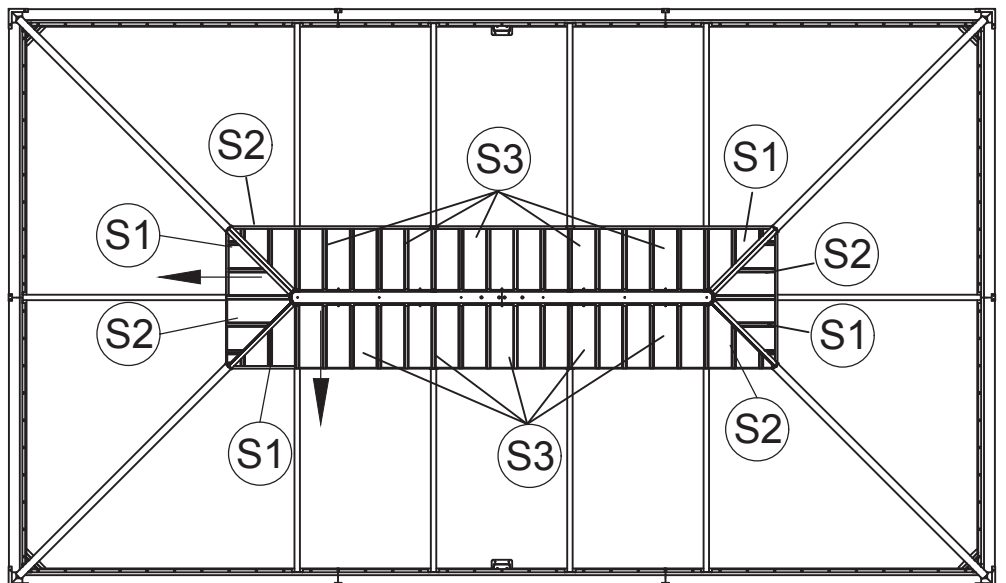


Z2 4x

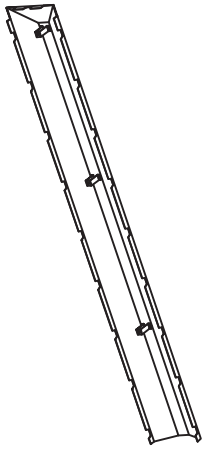
<18>



When installing the Roof plates (S2) onto short side, pls detach the right end of Roof Rib(G1) first. And then install the right end of Roof Rib (G1) again after S2 is installed.



<19>



(M8b) 2x

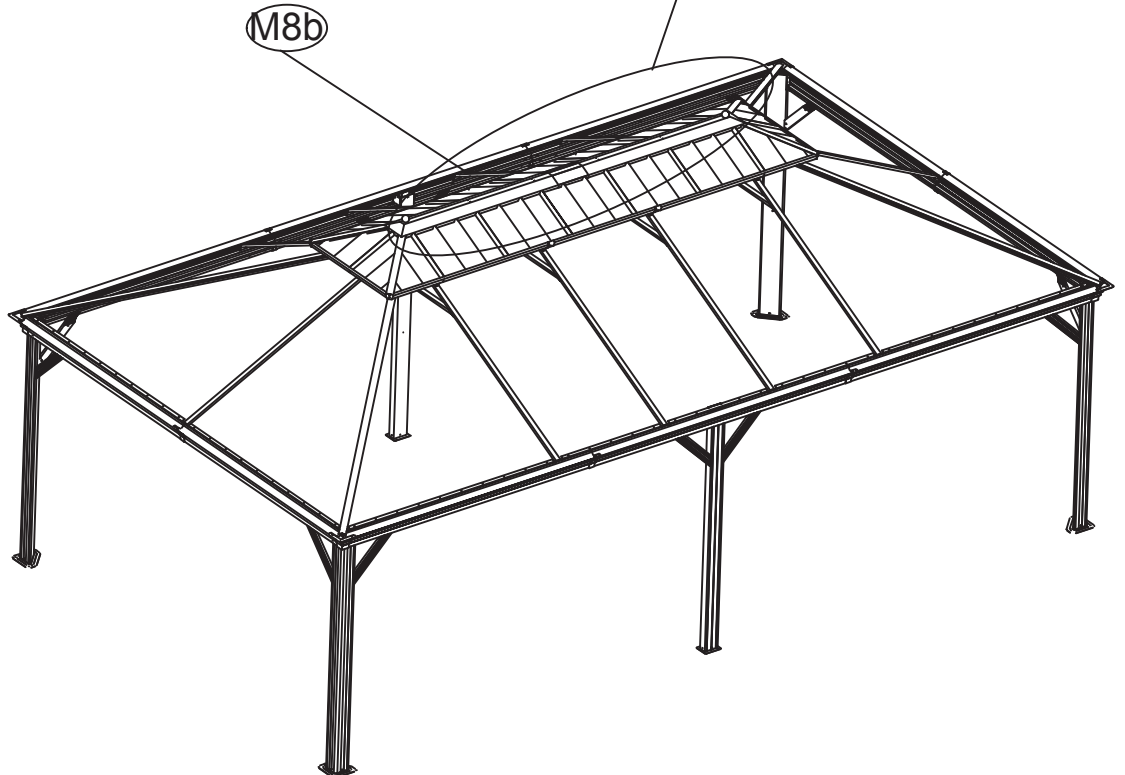
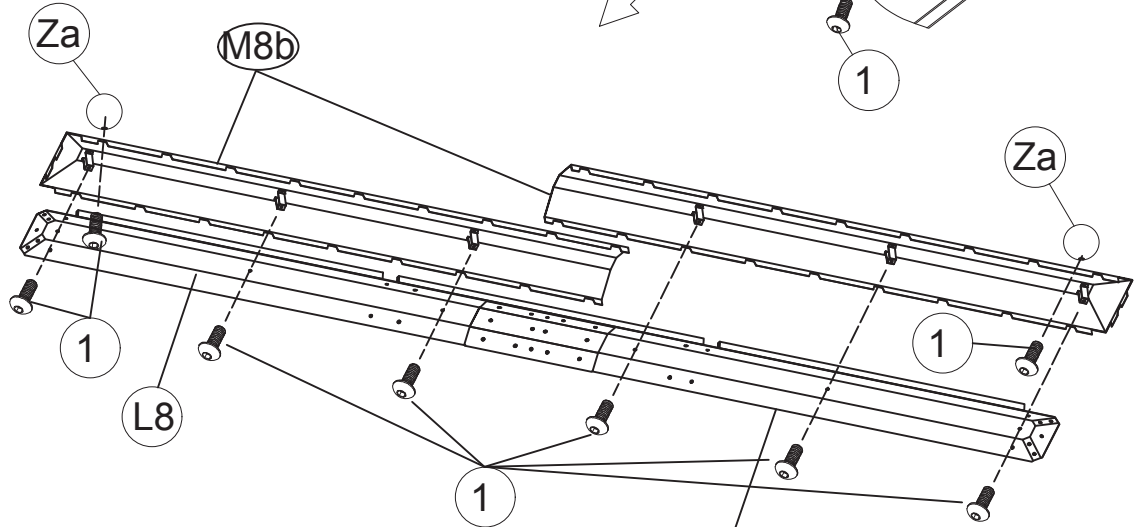
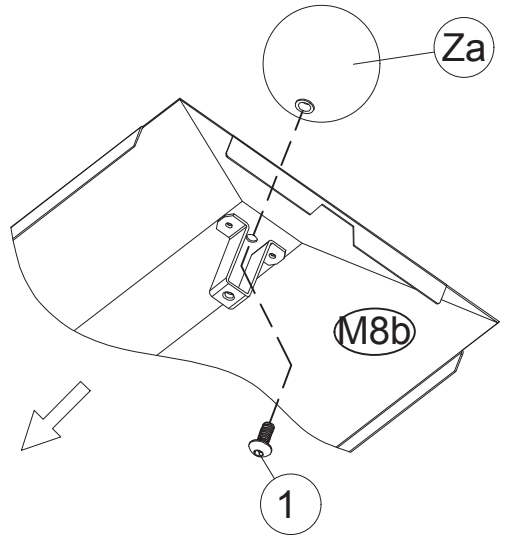


M6x15

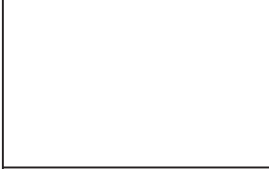
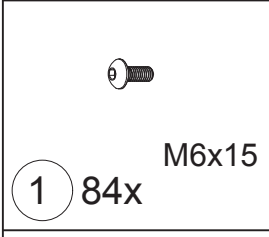
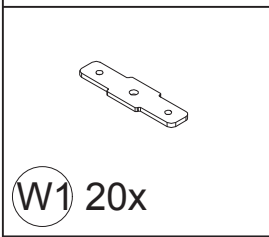
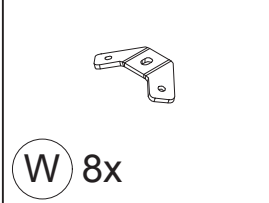
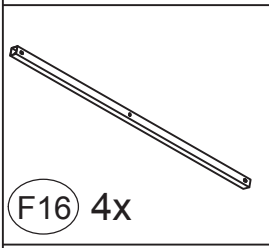
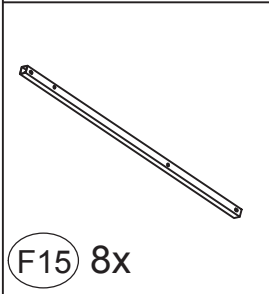
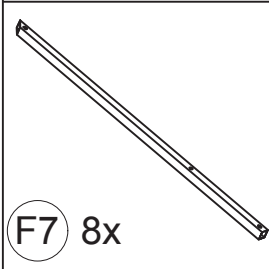
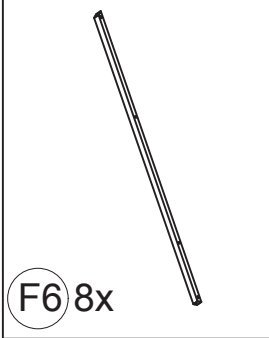
(1) 8x



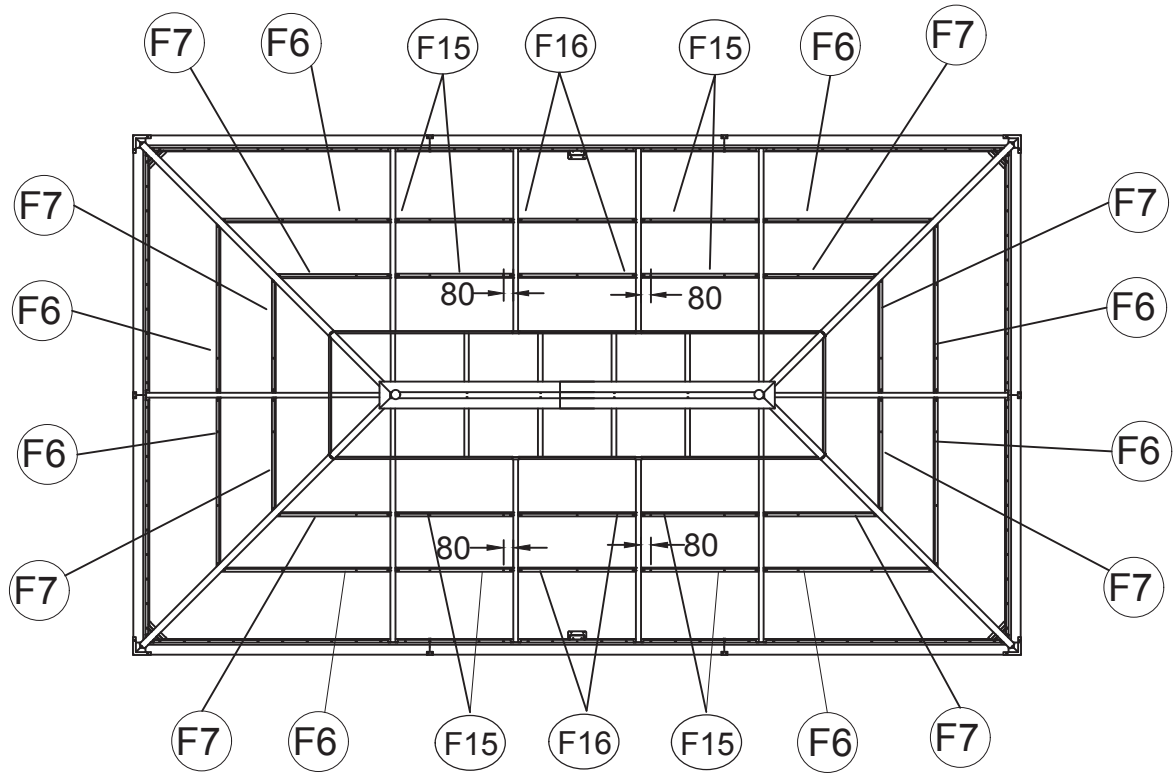
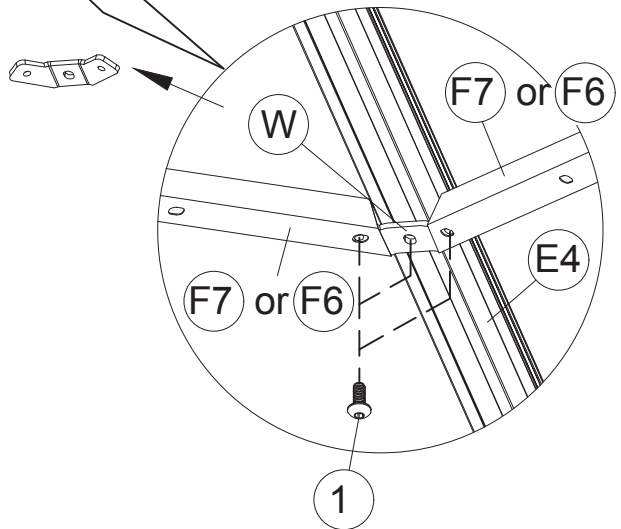
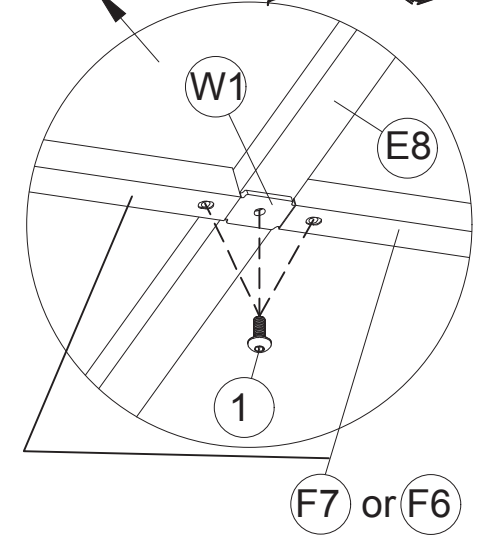
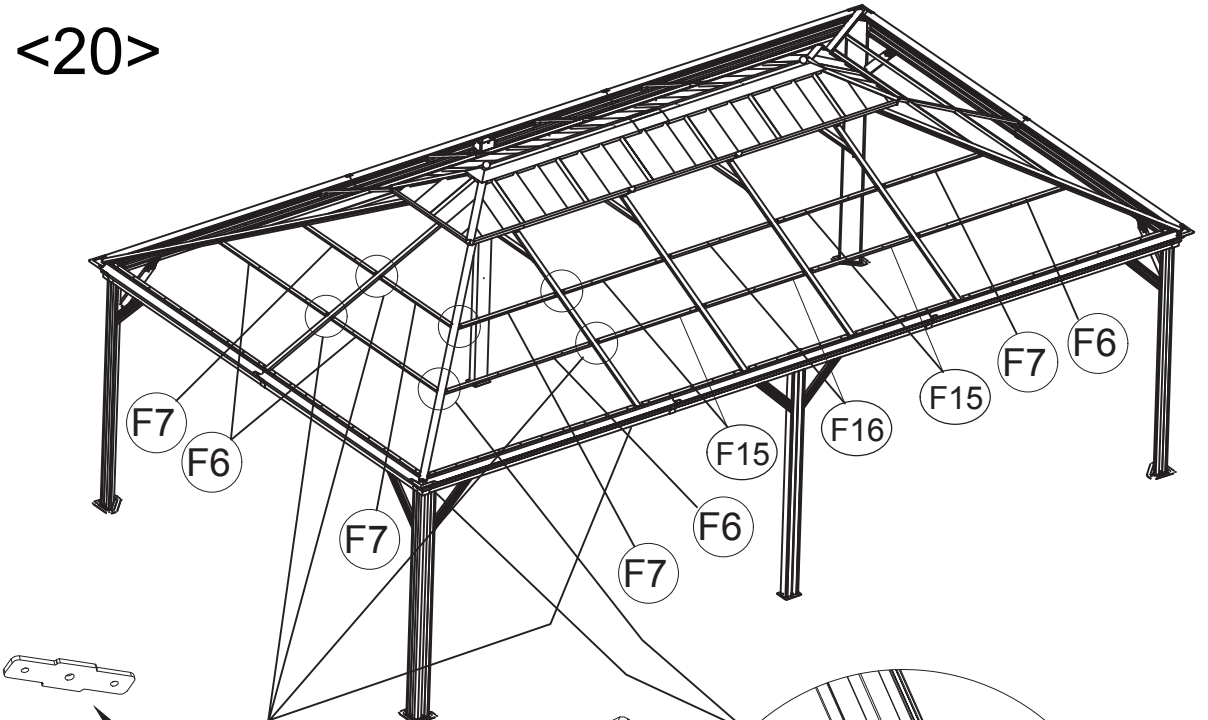
(Za) 2x



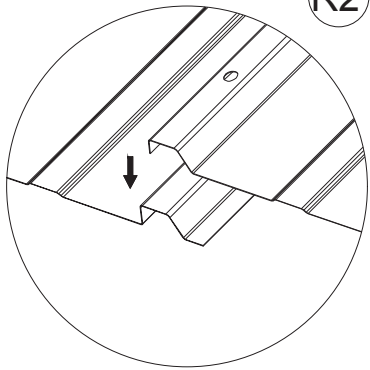
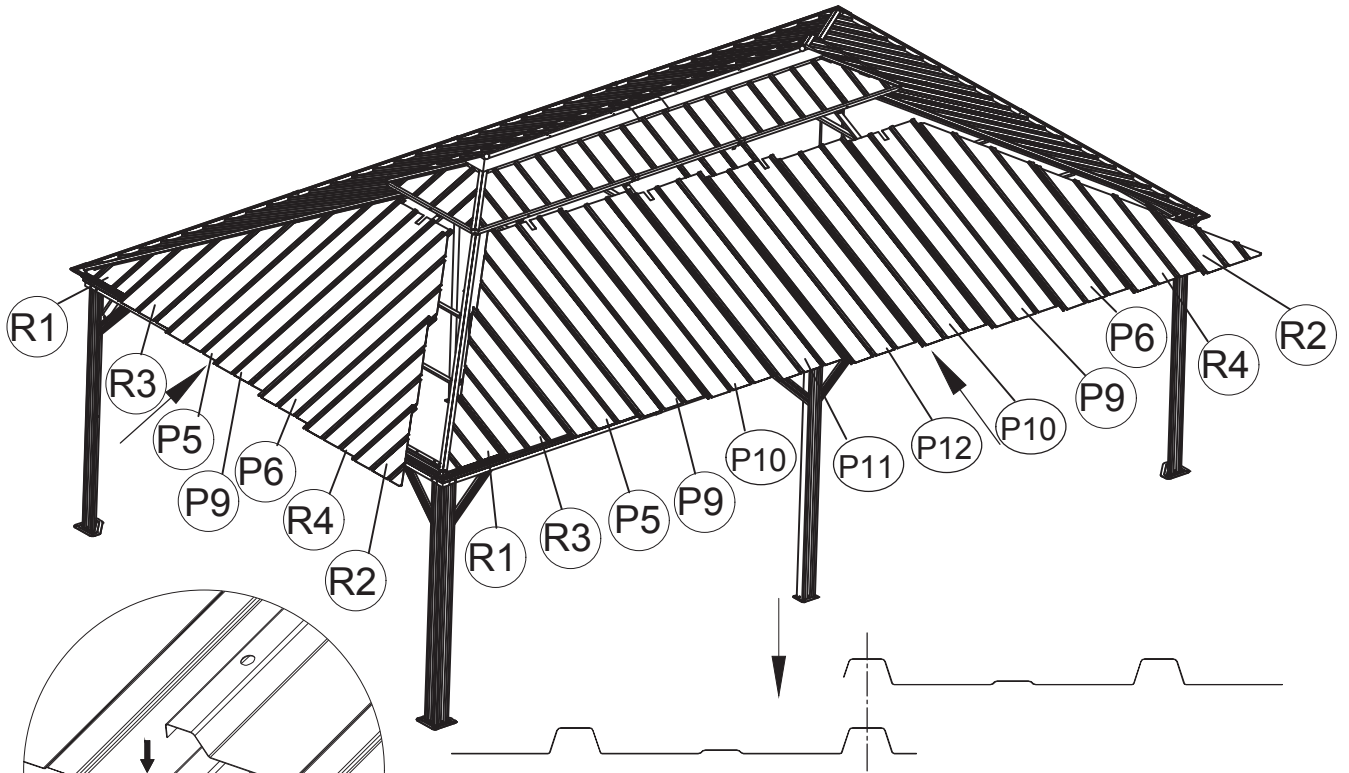
<20>



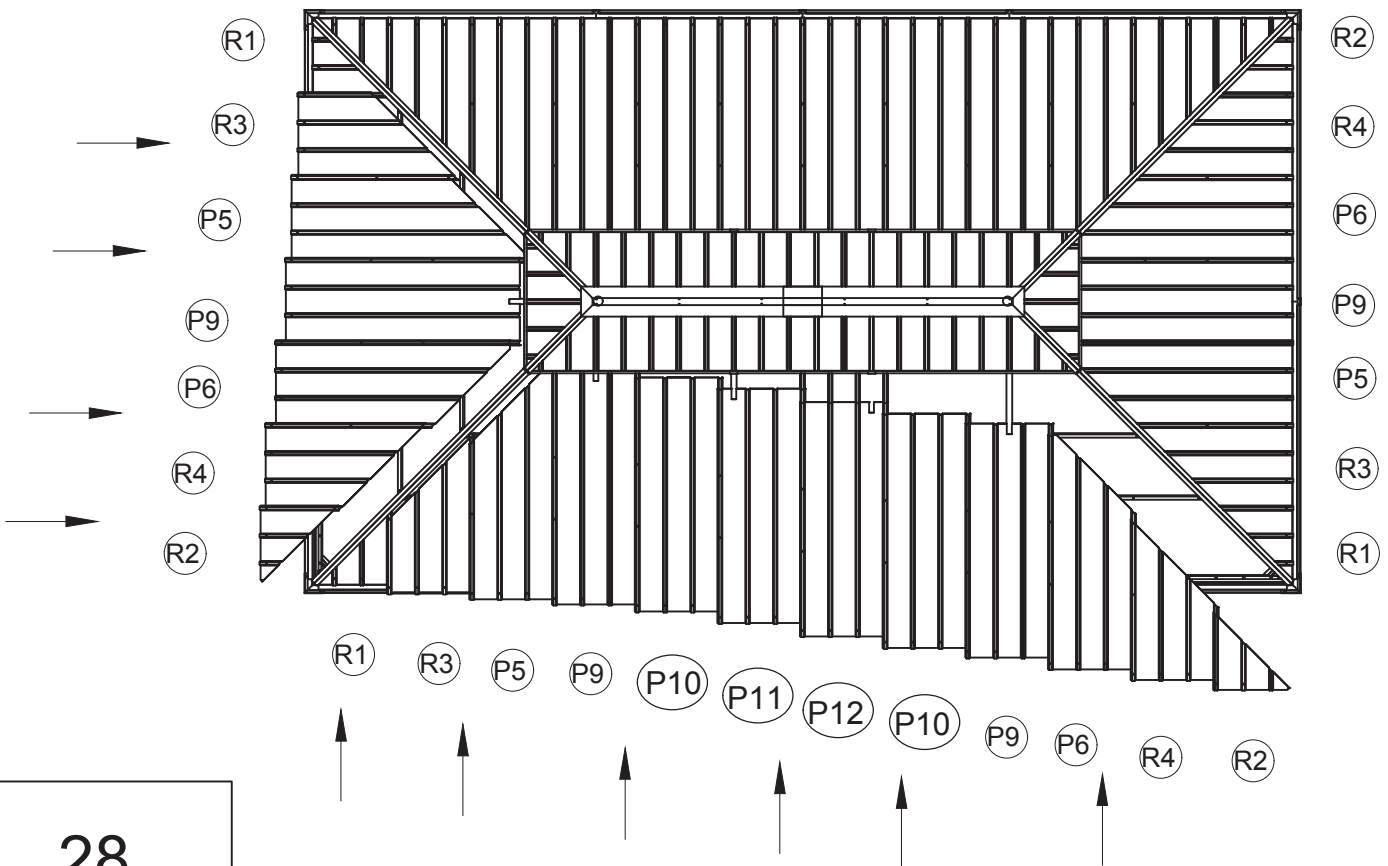
27



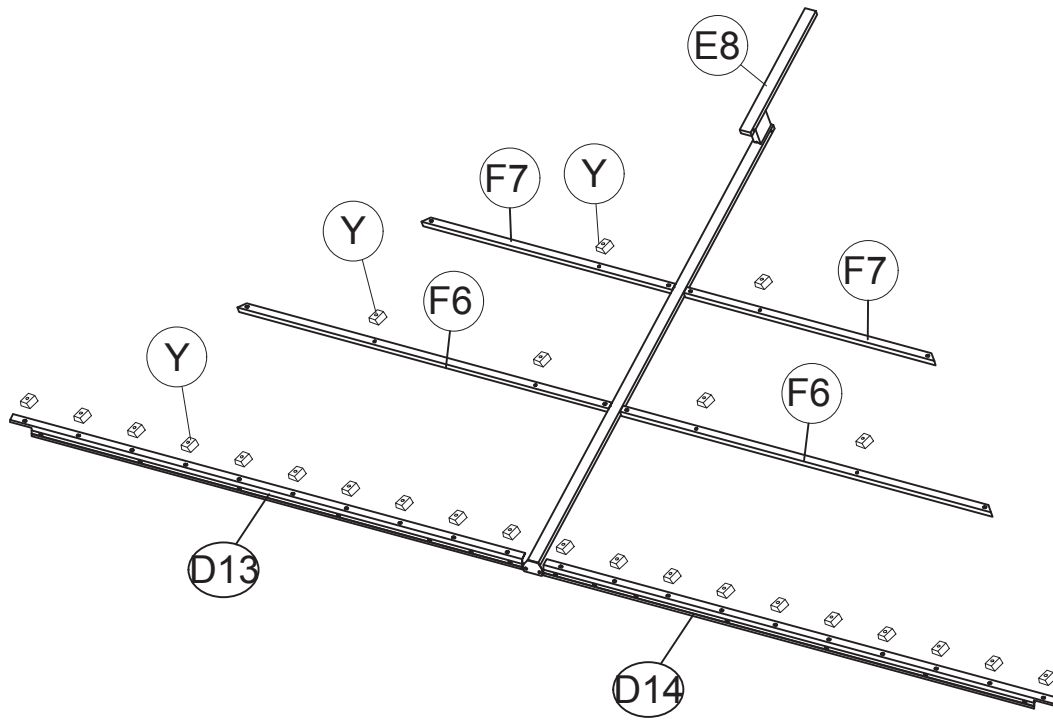
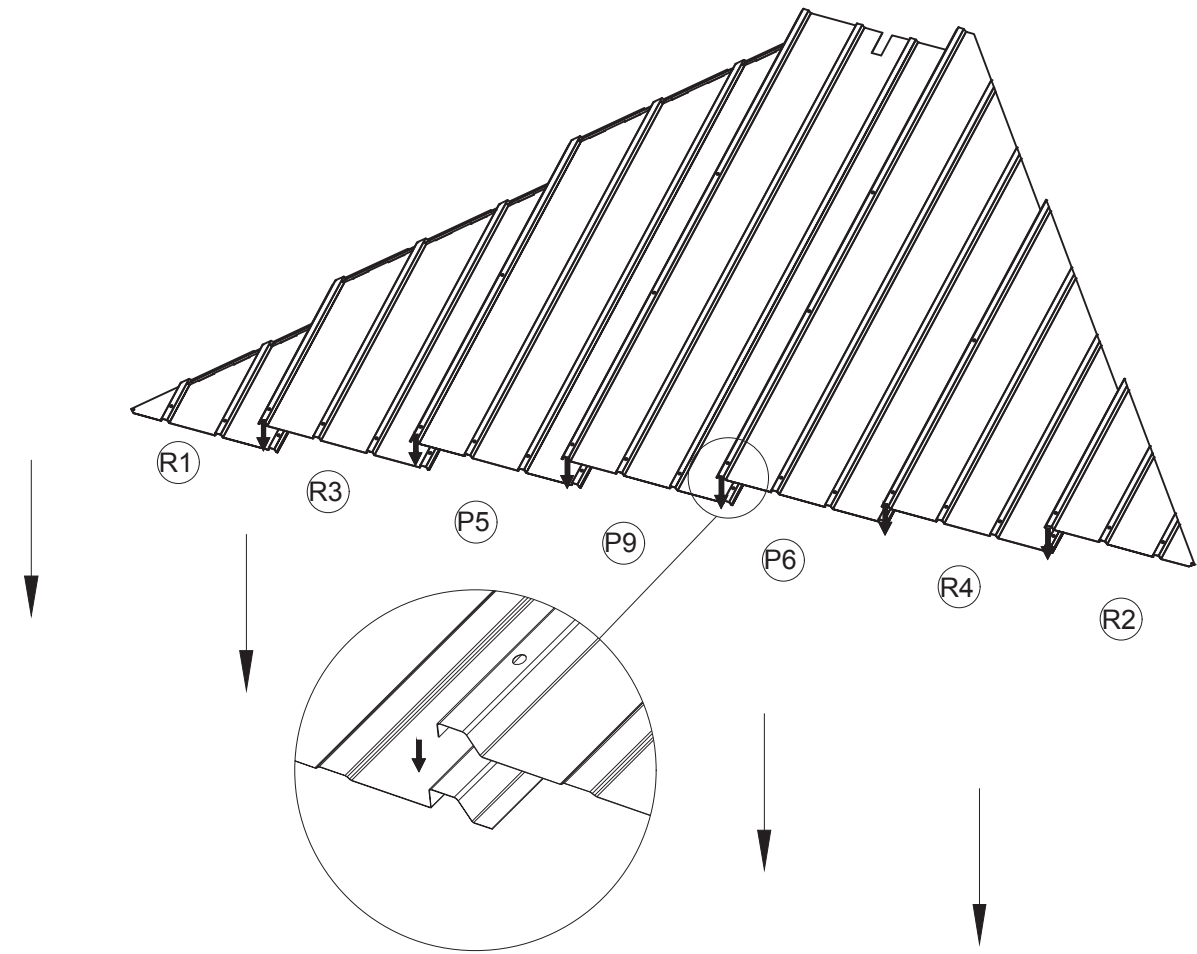
<21>



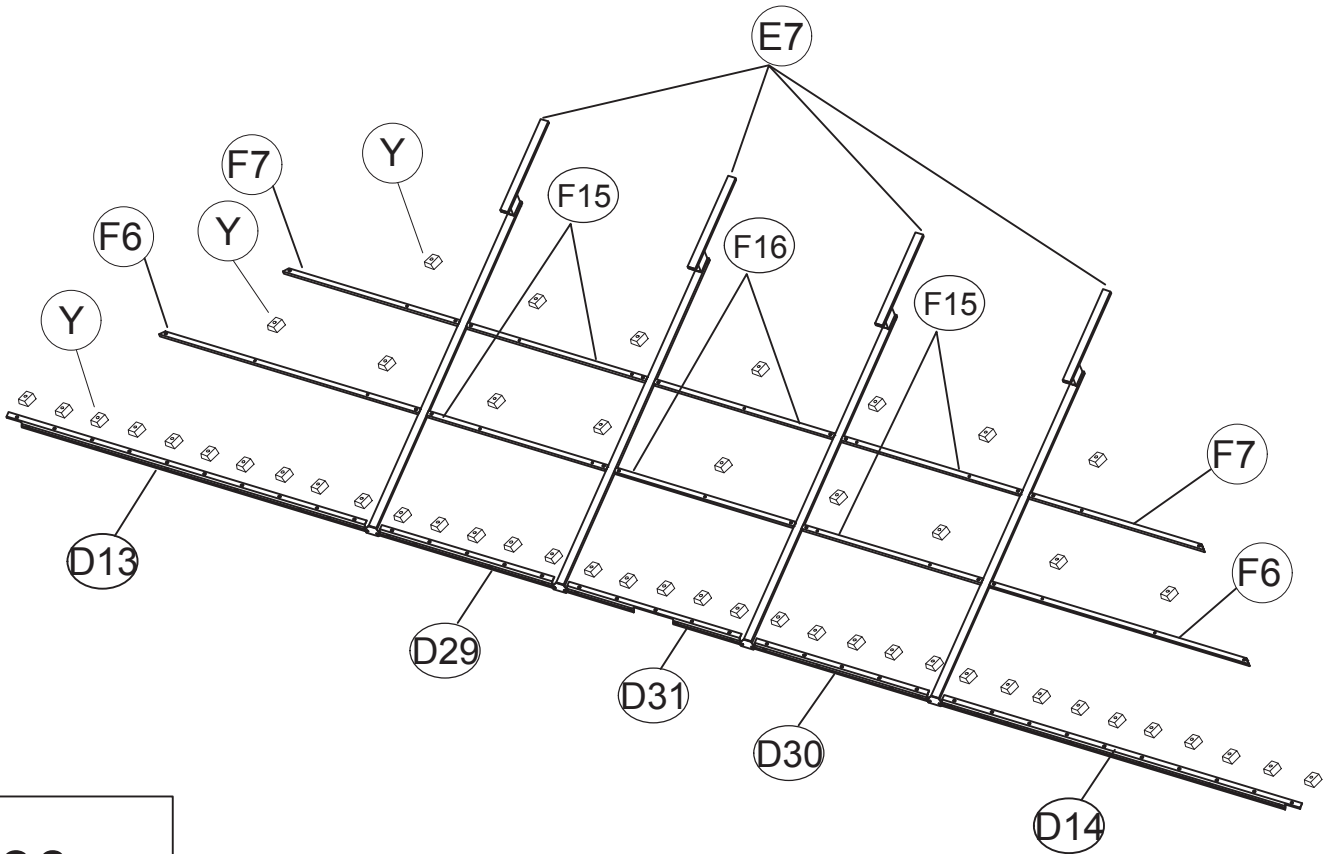
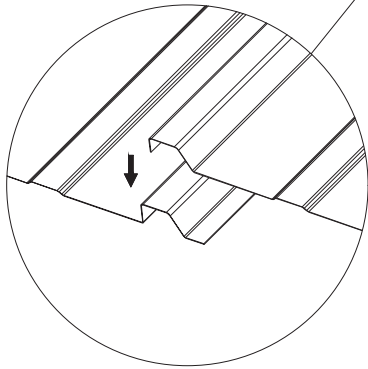
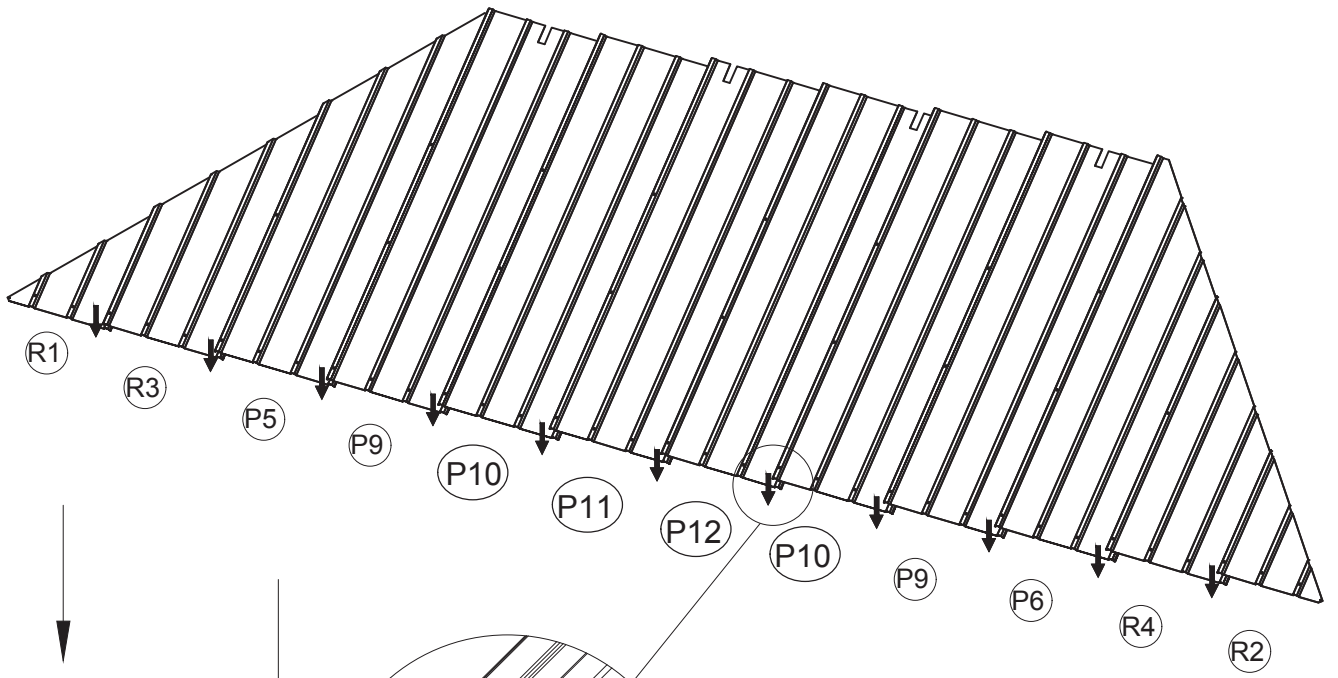
R2 R4 P6 P9 P10 P12 P11 P10 P9 P5 R3 R1



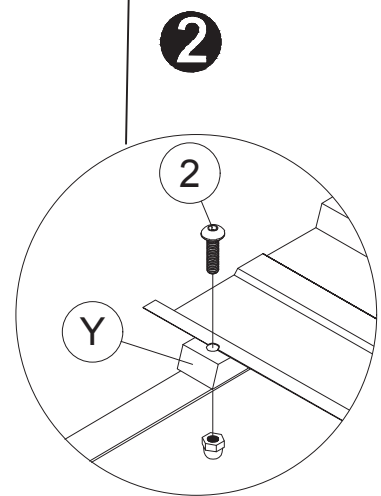
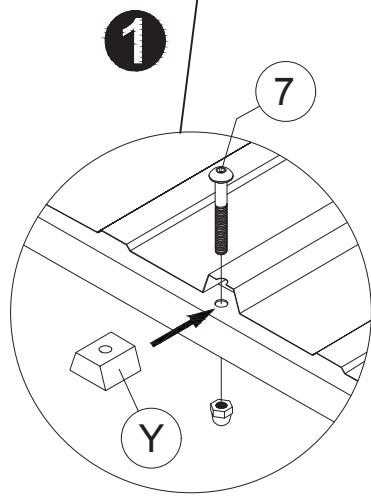
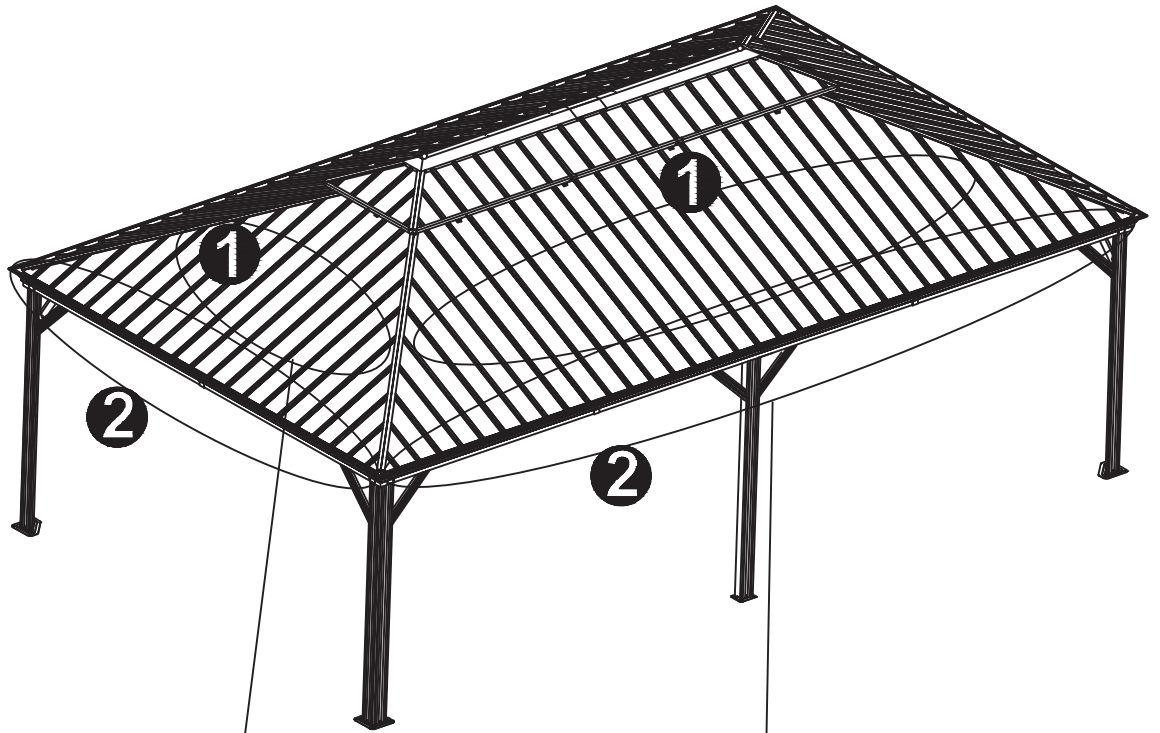
<22>

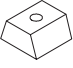




<23>

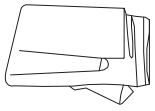


30



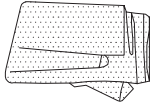
- 
Y 154x
- 
M6x23
2 110x
- 
M6x47
7 44x

Note:
When installing the roof top plates, if the roof plates are slightly uneven, pls press the screws from the top of the plates until the bottom screw thread is exposed by 3 to 4mm, and then screw on the nut.

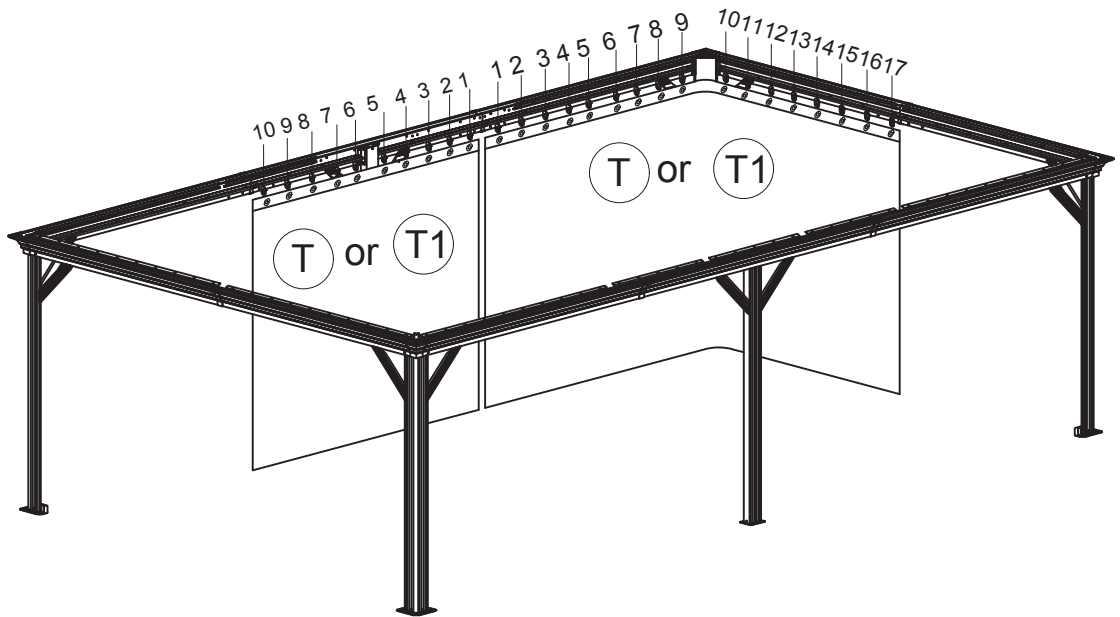
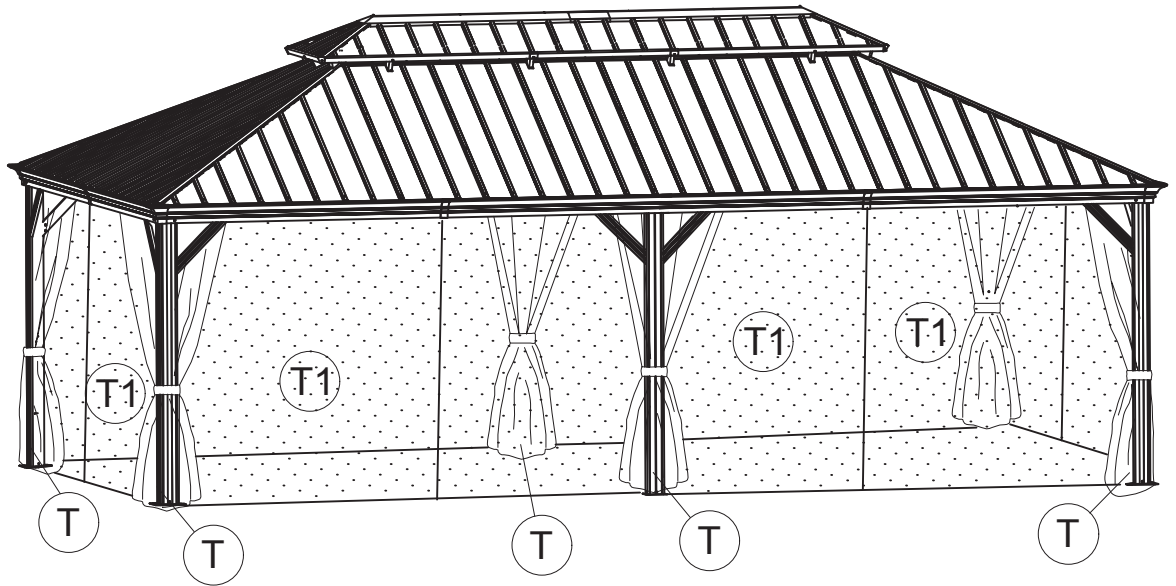
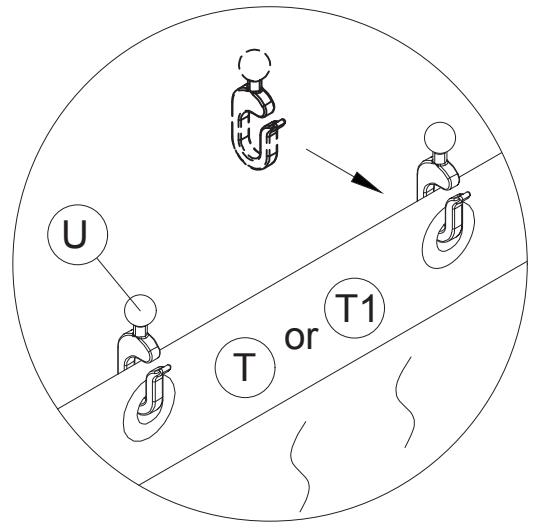
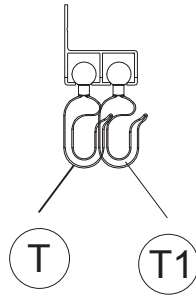


<25>

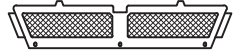
T 4x + 2x



T1 4x + 2x



<26>



V1 2x



V10a 2x



V10b 2x

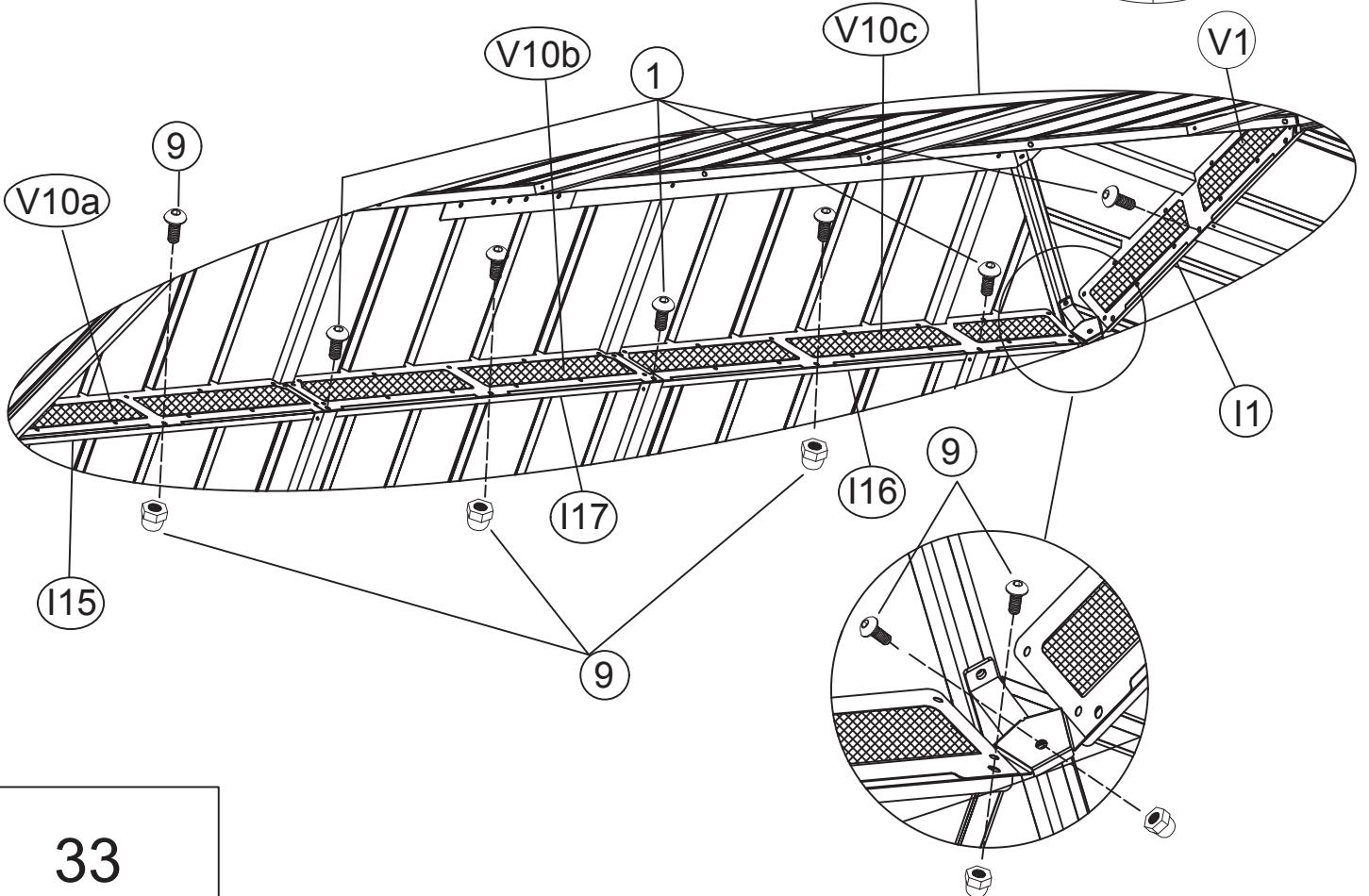
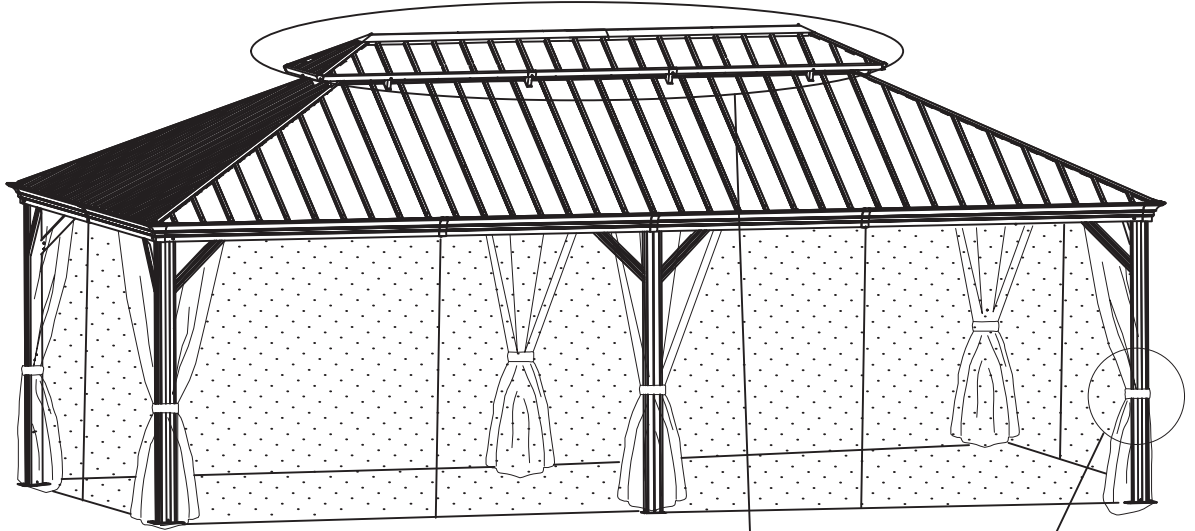


V10c 2x



M6x10

9 14x



Carton-1/7		Carton-2/7		Carton-4/7		Carton-5/7	
Part	Qty	Part	Qty	Part	Qty	Part	Qty
A	4	N	8	L8	2	Z	72
A3	2	N1	4	M8b	2	Z1	16
F7	8	V	6	L8b	1	Z2	8
F16	2	W	8	I1	2		
F17	2	W1	20	I17	2		
C3	2	W3	8	D29	2		
C4	2	W4	12	D30	2	Carton-6/7	
D13	4	W5	4	D31	2	Part	Qty
D14	4	Za	2	P	6	P10	4
				Y	154	P11	2
				U	176	P12	2
Carton-2/7				T	4 + 2	R1	4
Part	Qty	Carton-3/7		1.2.4.5.7.8. 9.10.11.12. 14.15	1	R2	4
B19	2	Part	Qty			R3	4
B20	2	B22	2			R4	4
B11	2	E4	4				
B12	2	E7	8				
E5	4	E8	1				
E8	1	C5	2	Carton-5/7			
F16	2	C6	2	Part	Qty	Carton-7/7	
G1	2	J	4	S3	10	Part	Qty
G15	2	H	4	F6	8	P5	4
G16	2	H1	4	F8	4	P6	4
G17	2	V1	2	F15	8	P9	6
I15	2	V10a	2	C15	2	S1	4
I16	2	V10b	2	C16	2	S2	4
J1	2	V10c	2	H3	2		
K	4			H4	2		
K1	6			T1	4 + 2		