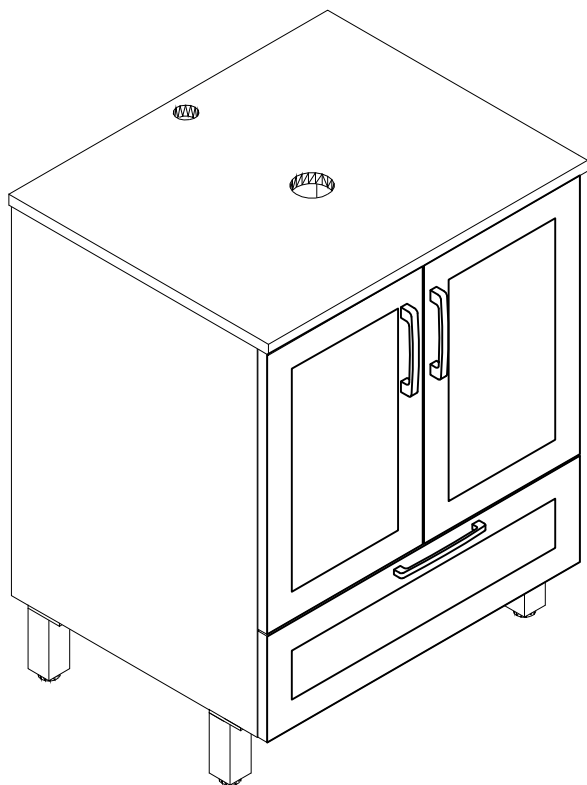
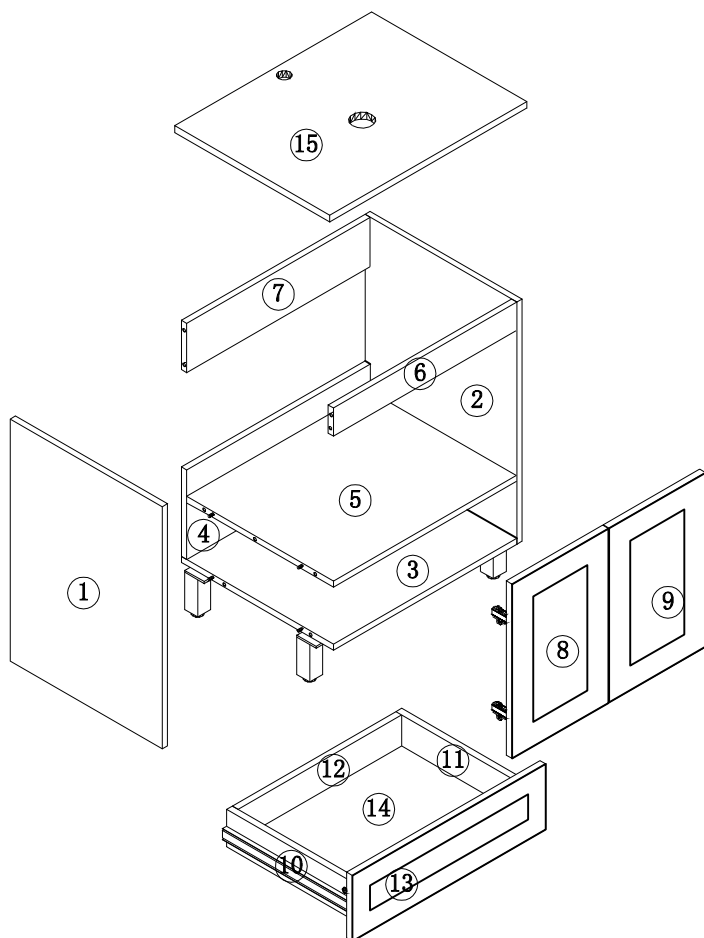


# Installation & Assembly



## ASSEMBLY DIAGRAM

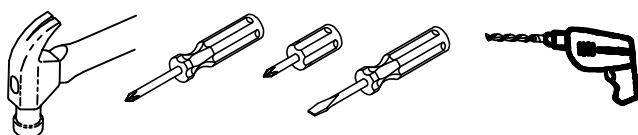


## PARTS LIST

PARTS LIST			HARDWARE LIST		
NO	DESCRIPTION	QTY	NO	DESCRIPTION	QTY
①		1	A		26
②		1	B		26
③		1	C		26
④		1	D		14
⑤		1	E		2
⑥		1	F		4
⑦		1	G		4
⑧		1	H		48
⑨		1	I		6
⑩		1	J		3
⑪		1			
⑫		1			
⑬		1			
⑭		1			
⑮		1			

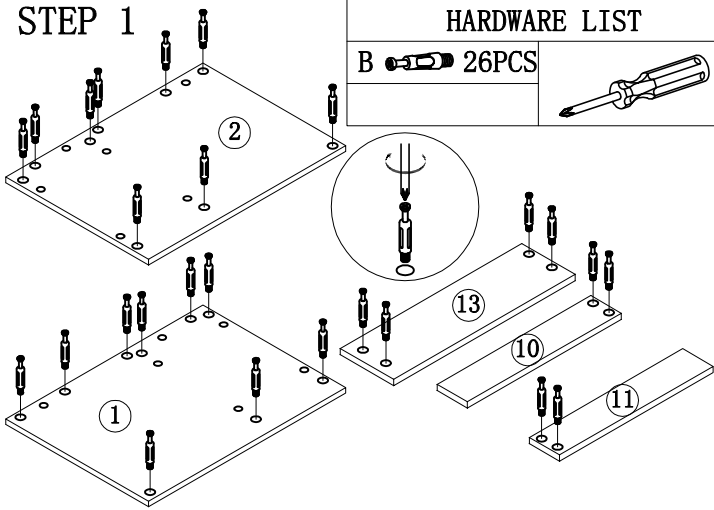
CAUTION: Please confirm the parts list before installation

YOU MAY NEED (NOT SUPPLIED)

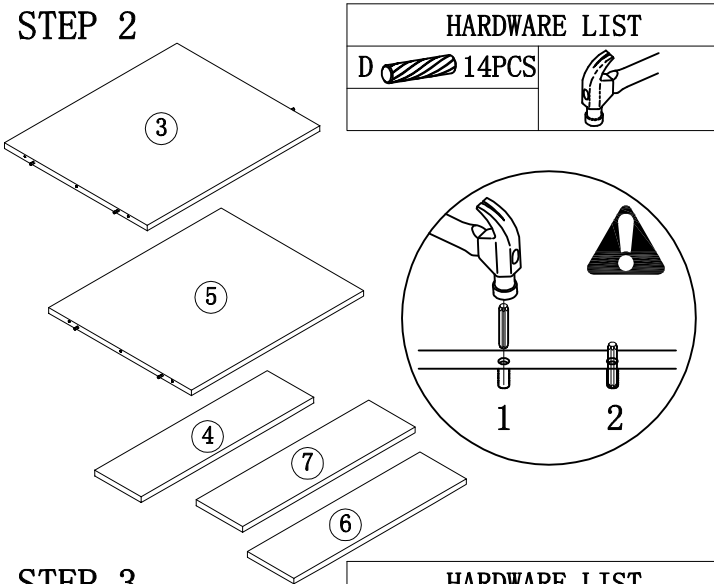


# INSTALLATIONS

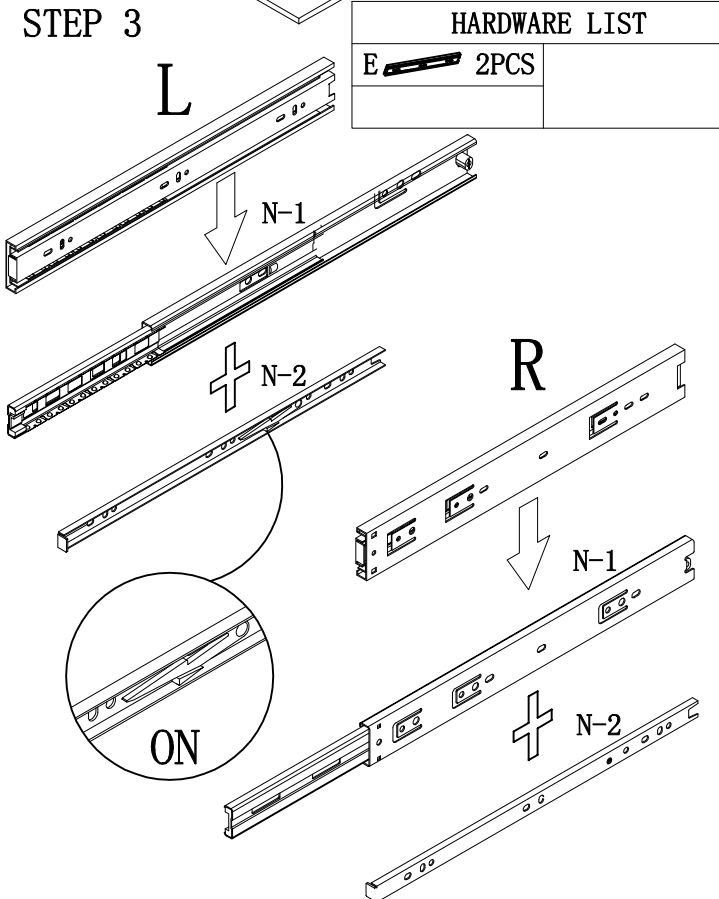
## STEP 1



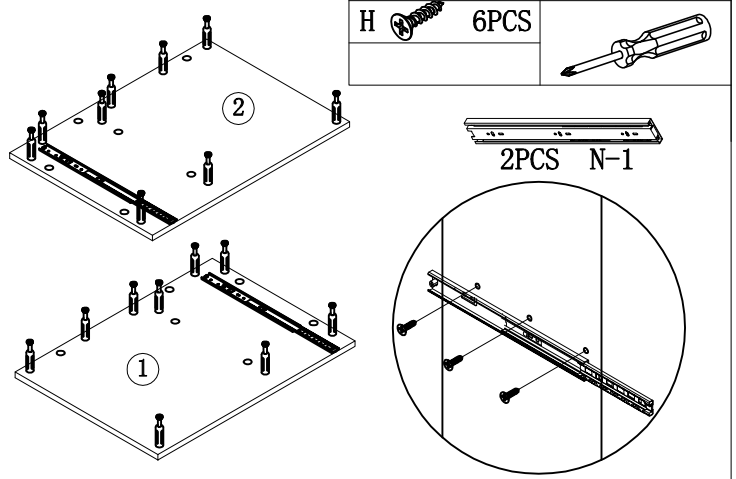
## STEP 2



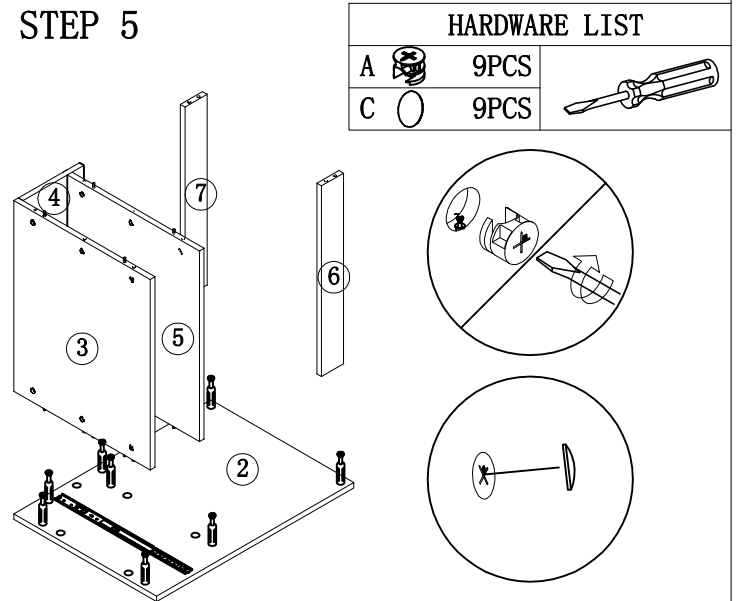
## STEP 3



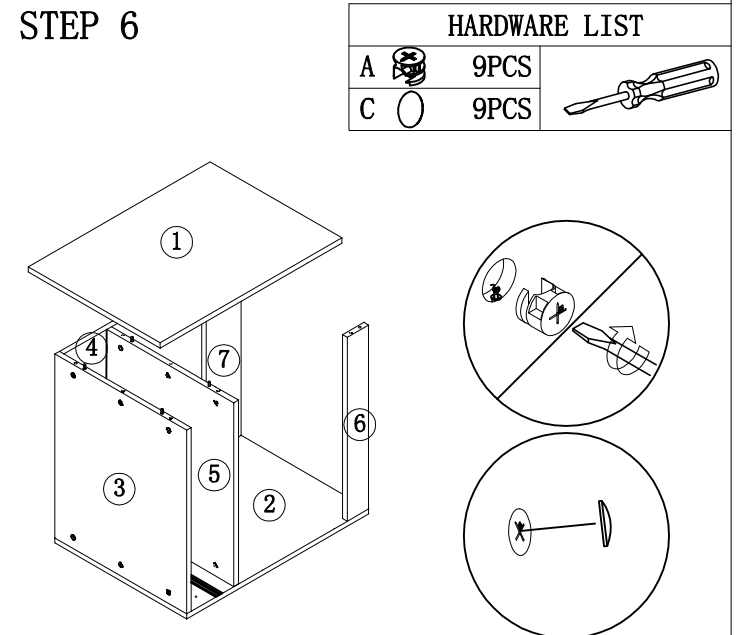
## STEP 4



## STEP 5





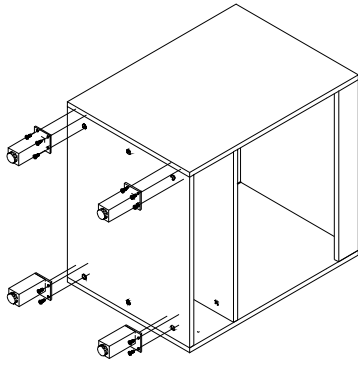
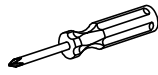
## STEP 6



### STEP 7





#### HARDWARE LIST

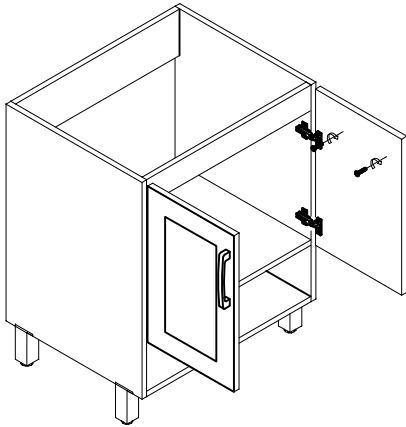
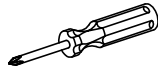
H		12PCS
G		4PCS



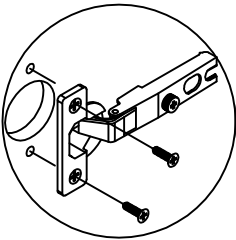
### STEP 8

#### HARDWARE LIST

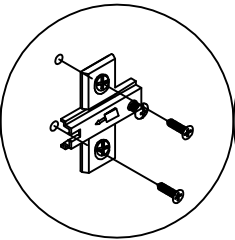
H		24PCS
J		2PCS
I		4PCS
F		4PCS



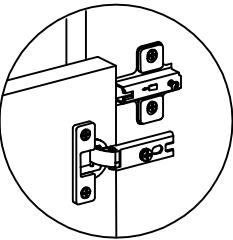
1



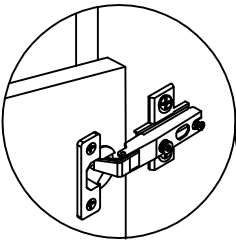
2



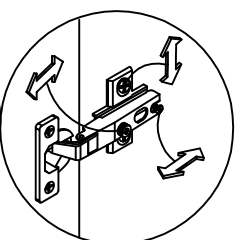
3



4




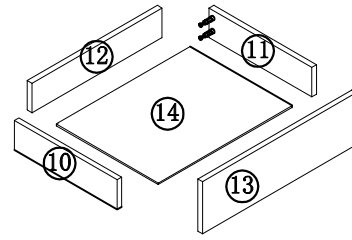
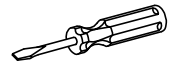
5



### STEP 9




#### HARDWARE LIST

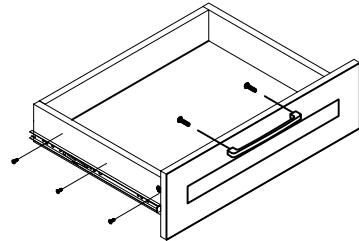
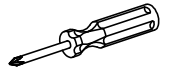
A		8PCS
C		8PCS



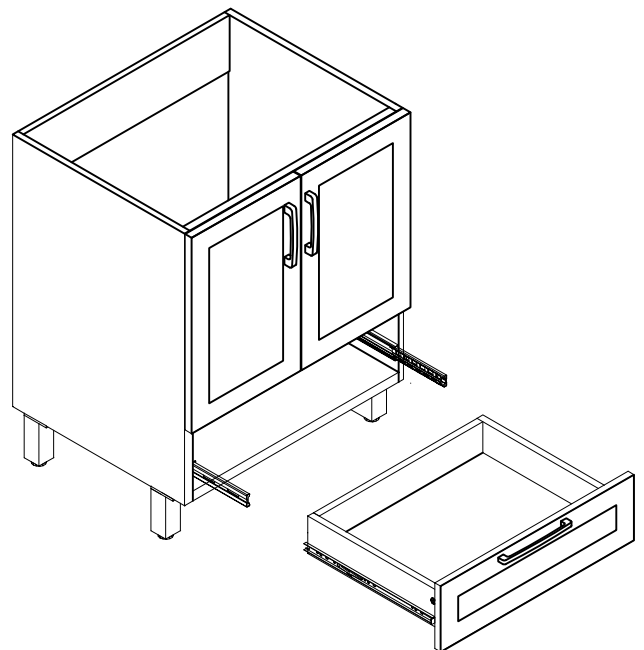
### STEP 10

#### HARDWARE LIST

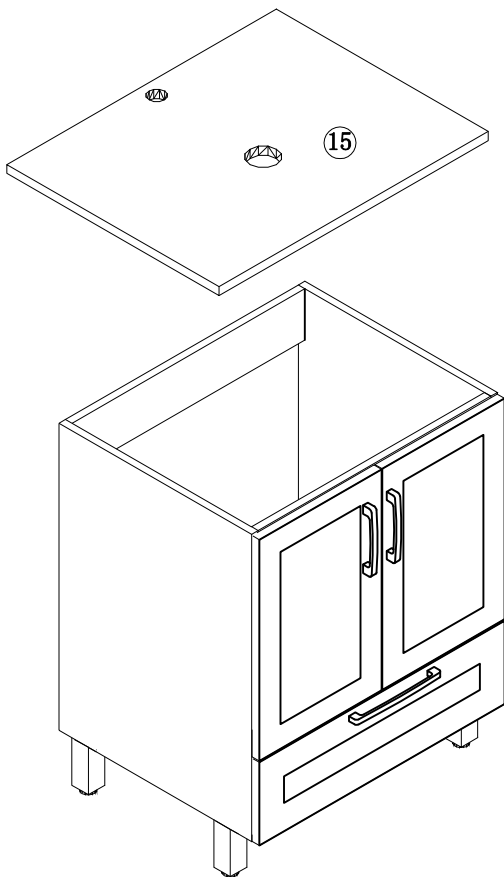
H		6PCS
I		2PCS
J		1PCS



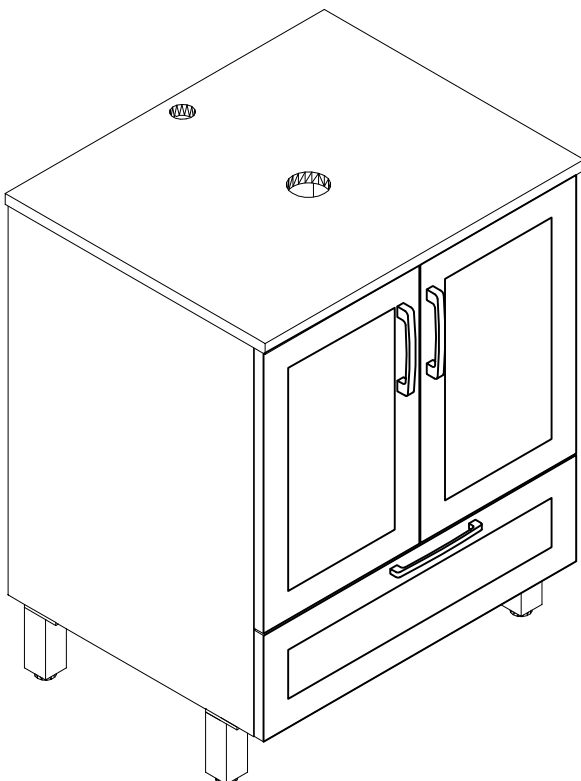
### STEP 11



STEP 12



STEP 13



**Choking hazard-Small Parts :** This unit contains small parts, not for children under 3 years.

**Tip-over hazard :** Secure finished unit to wall stud using L-Bracket and wall screw (#10\*1.5"W/out provided). If a wall stud is not neccessible ,Consault your local hardware store for appropriate mounting hardware . Failure to properly install will result in product collapse or tip-over. Serious injury can occur .