



Warnings and Cautions

Please retain this instruction for future usage and read carefully before assembly.

Make sure you have all the parts & hardware as item list shows.

2 adults or more are recommended to install your Daybed.

Do not discard any of the packaging until you have checked that you have all the parts and pack of fittings.

Check all bolts for tightness before use, and periodically check and tighten bolts ensure your daybed works properly.

Some parts might have sharp edges/corners/Please follow basic safety precautions to reduce the risk of hurts.

Avoid installing and settling the daybed in a corridor of heavy wind.

Some assembly parts contain sharp edges, you should wear protective gloves when handling these items.

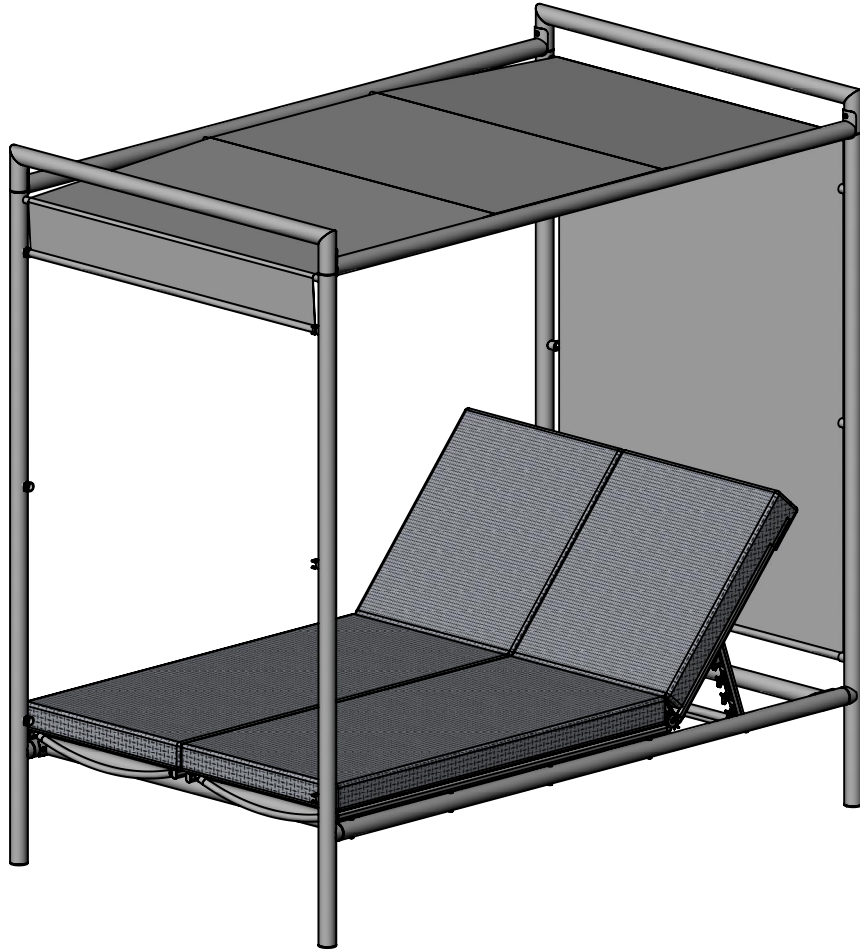
It is essential to place the Outdoor Patio Daybed on level ground and not less than **6 feet** from any obstruction such as fences, garages, overhanging branches, laundry lines, or electrical wires.

Please clean any standing water on the canopy regularly.

Notice

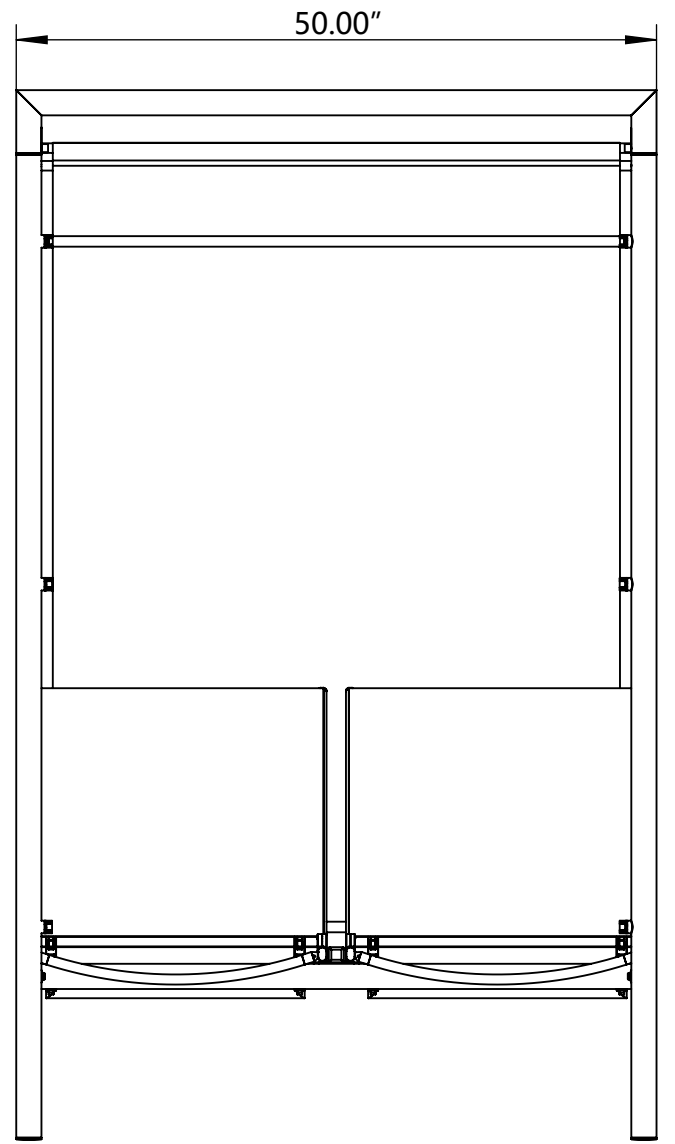
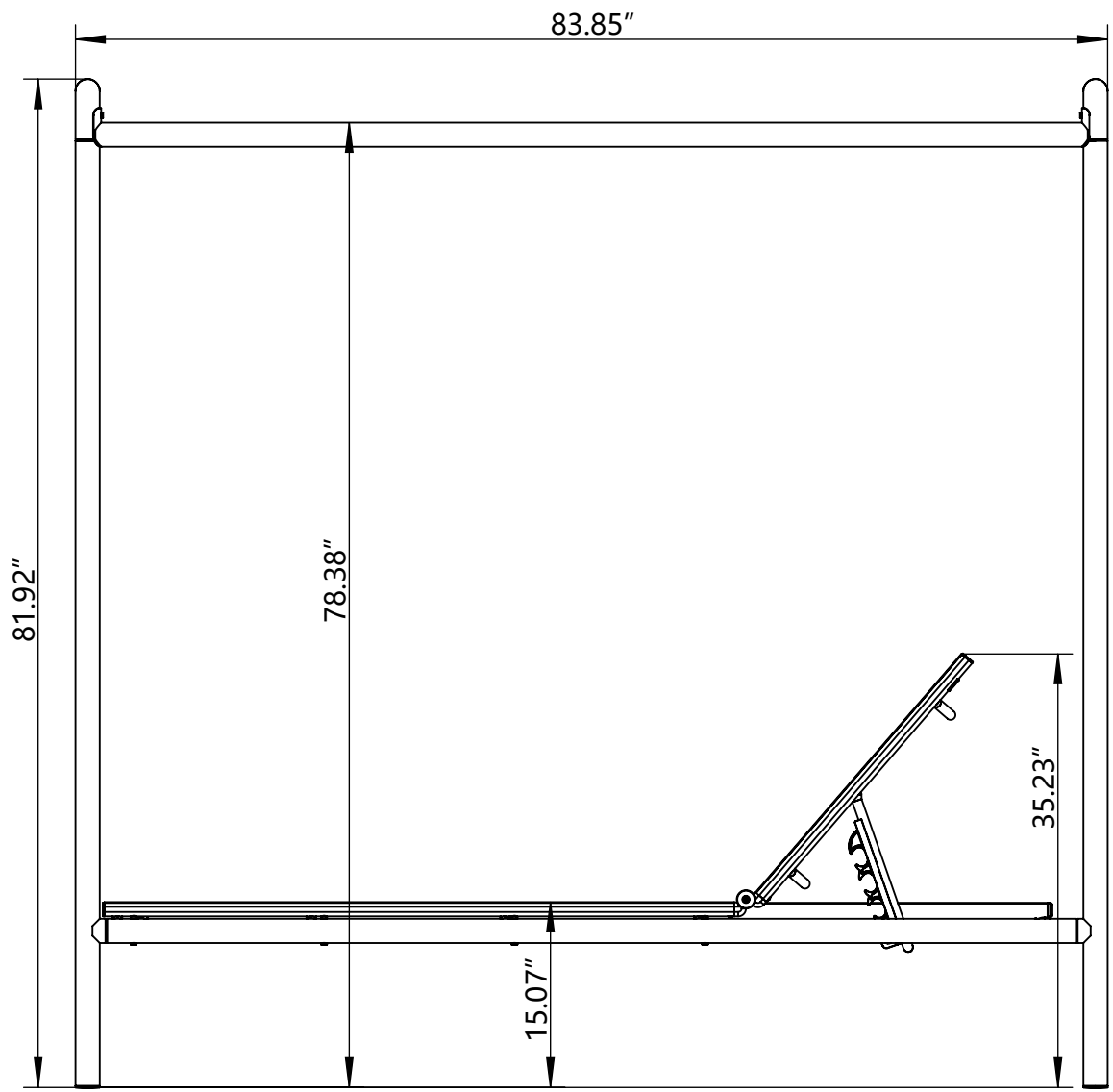
- 1. 50% Tighten before fixings all screws, Allen wrench is recommended instead of an electric drill.*
- 2. Place the item on a flat ground to adjust and make sure it remains stable.*
- 3. Tighten up all screws with tools gradually.*
- 4. If the screws are not aligned with holes during assembly, please loosen all all the other screws to 50% and continue the assembly process.*
- 5. If the item is not stable, please loosen all the screws, adjust it on a flat ground and tighten up all screws again.*
- 6. Note: If one or more screws are fully tightened during assembly, chances are the others will not be aligned with holes. In addition, all the holes are disigned to be relatively larger to provide more space for the adjustment of the screws.*

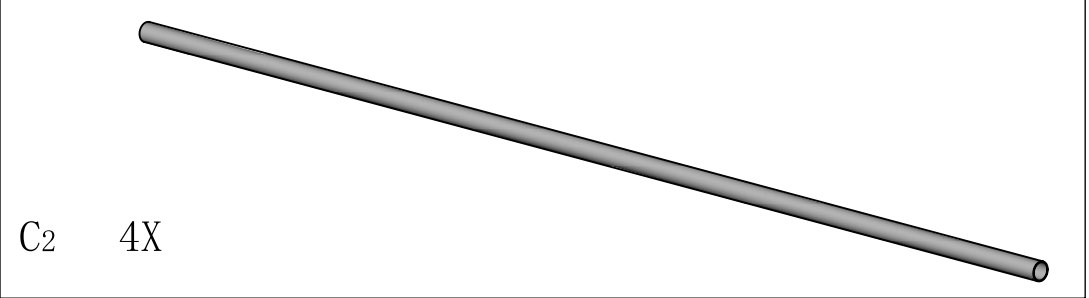
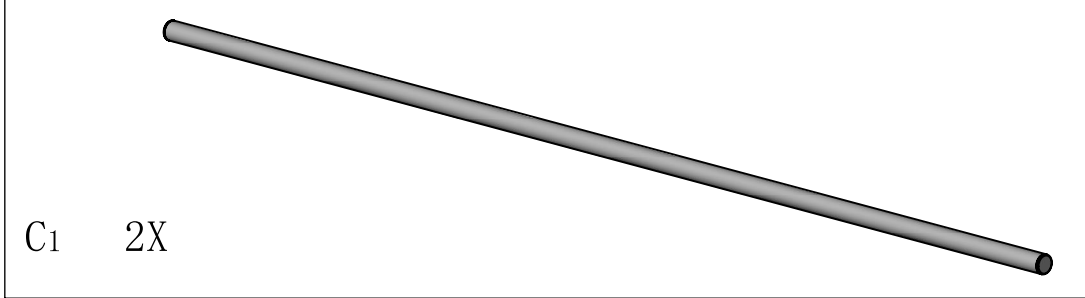
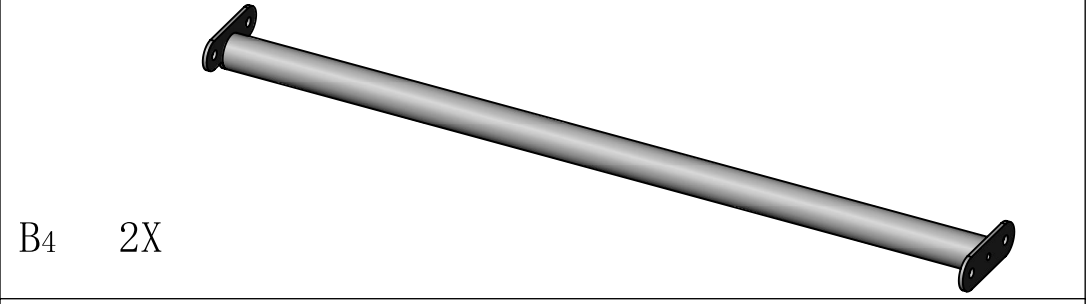
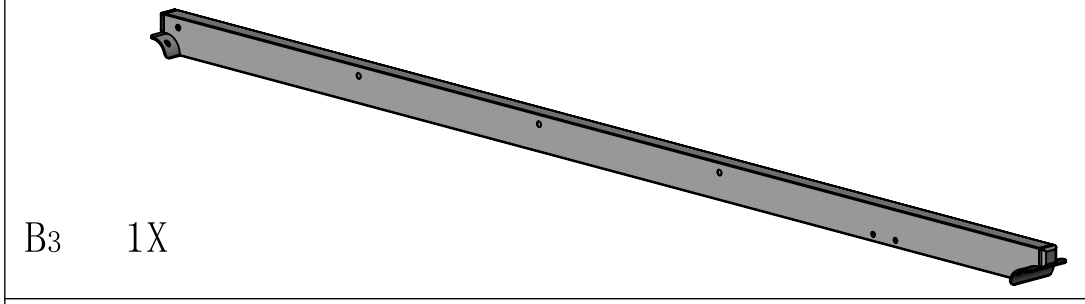
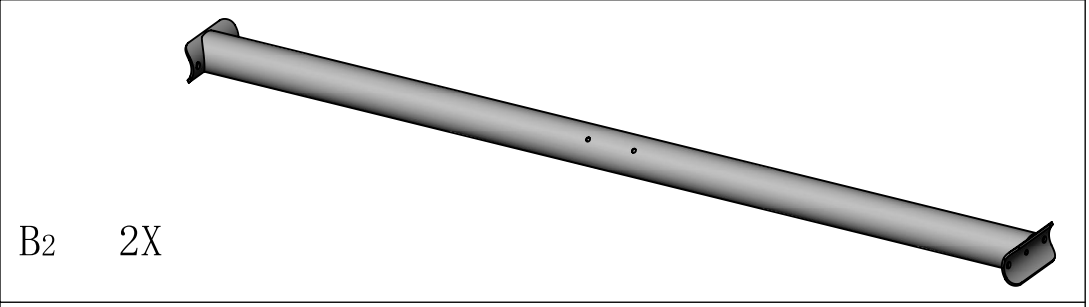
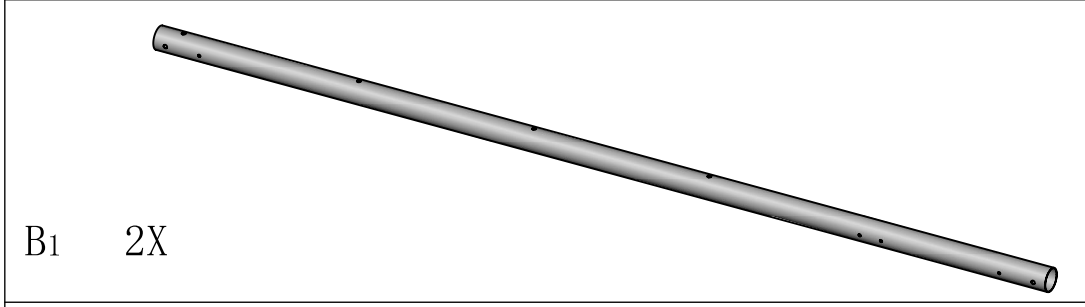
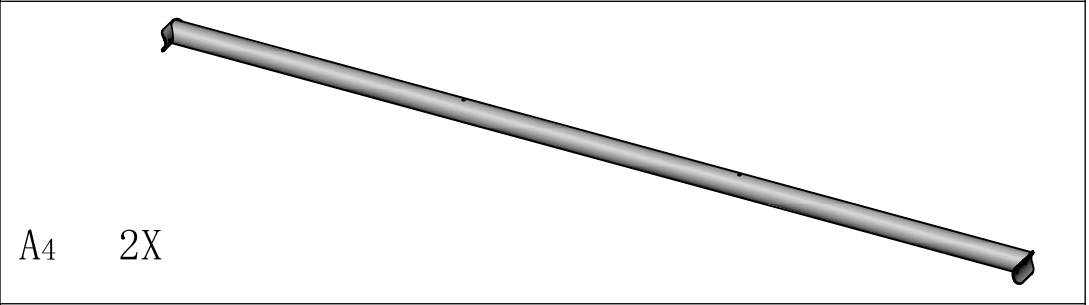
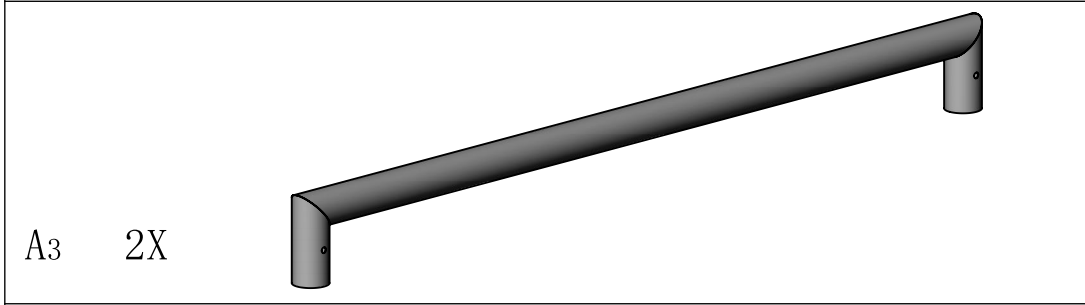
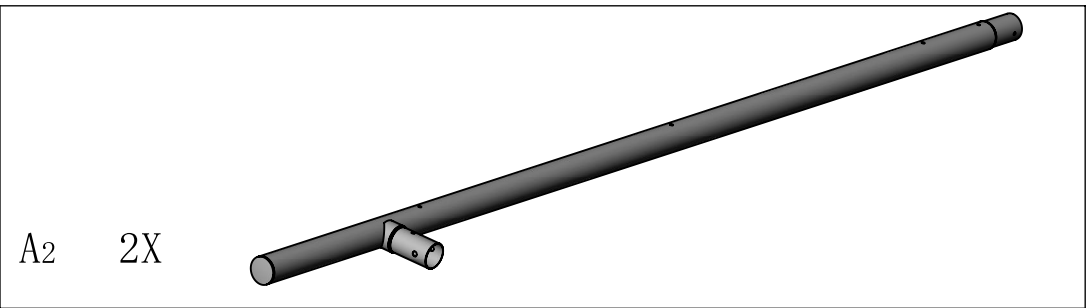
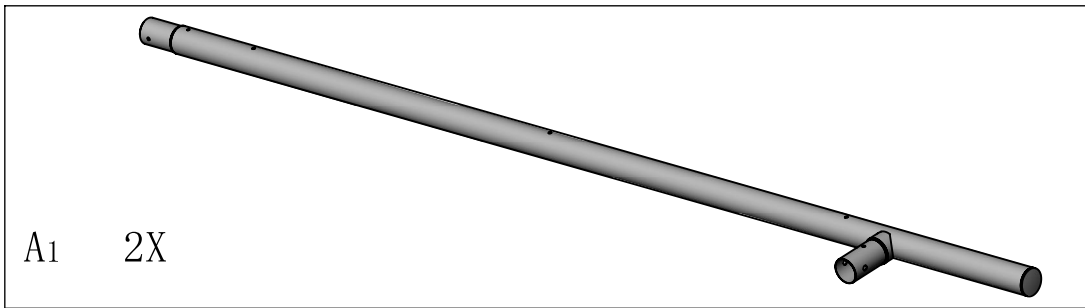
Outdoor living

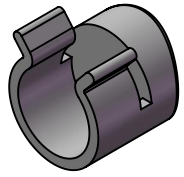


Daybed

Assembly Manual



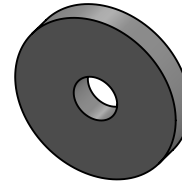




D1 12X



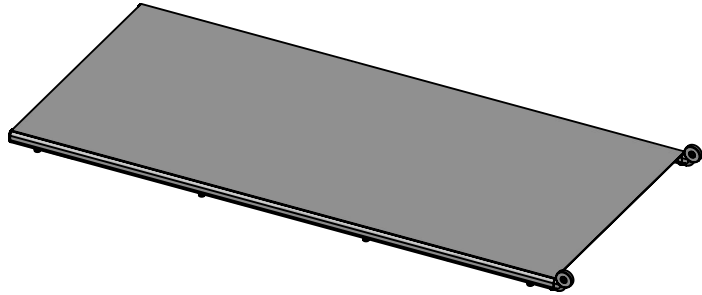
D2 8X



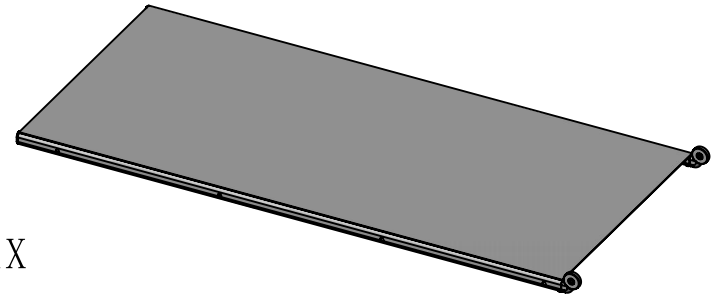
D3 8X



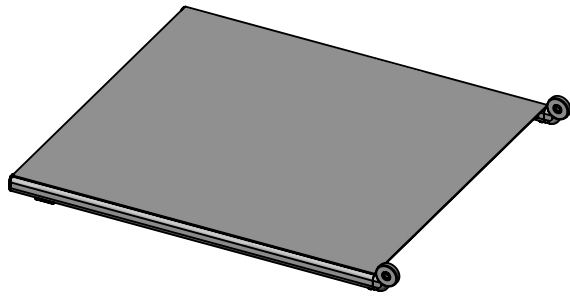
D4 4X



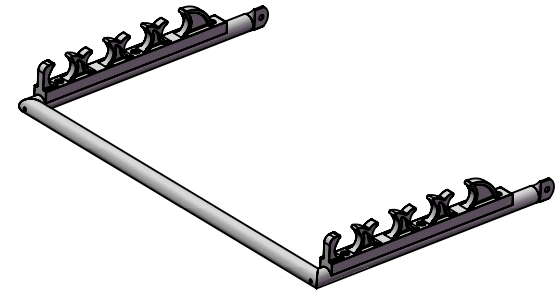
E1 1X



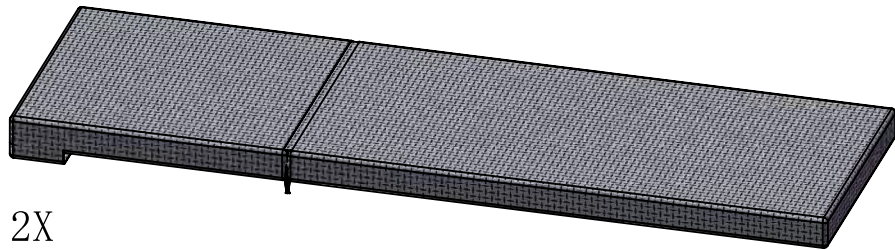
E2 1X



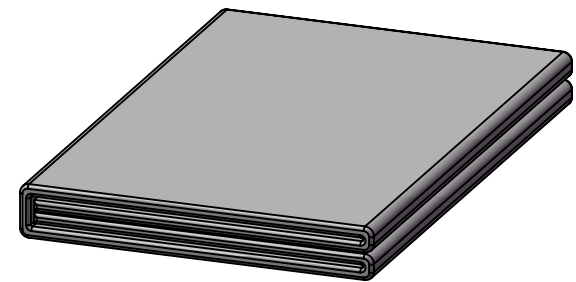
E3 2X



E4 2X

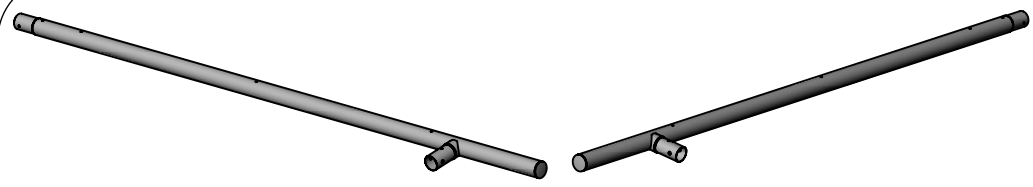


F1 2X



F2 1X

<p>1# 8X M5*20</p> 	<p>2# 32X M6*16</p> 	<p>3# 4X M6*30</p> 
<p>4# 2X M6*45</p> 	<p>5# 8X M6*65</p> 	<p>6# 4X M6*85</p> 
<p>7# 4X M6*8</p> 	<p>8# 4X M6*13</p> 	<p>9# 6X M6</p> 
<p>10# 6X M6</p> 	<p>11# 6X M6</p> 	<p>12# 2X S4</p> 
<p>13# 1X S10.3</p> 		



A1 2X

A2 2X



D1 12X



D2 4X



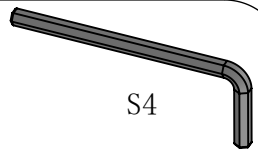
1# 4X

M5*20



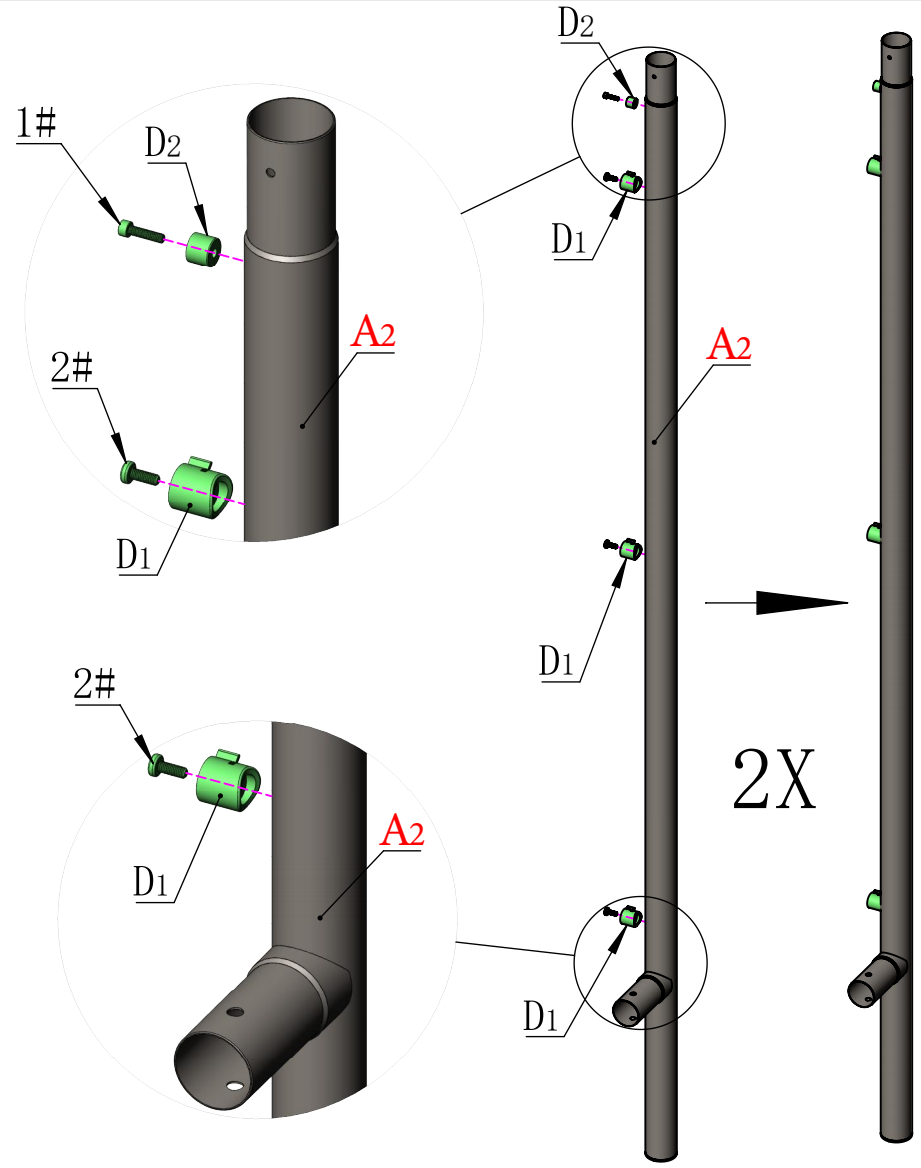
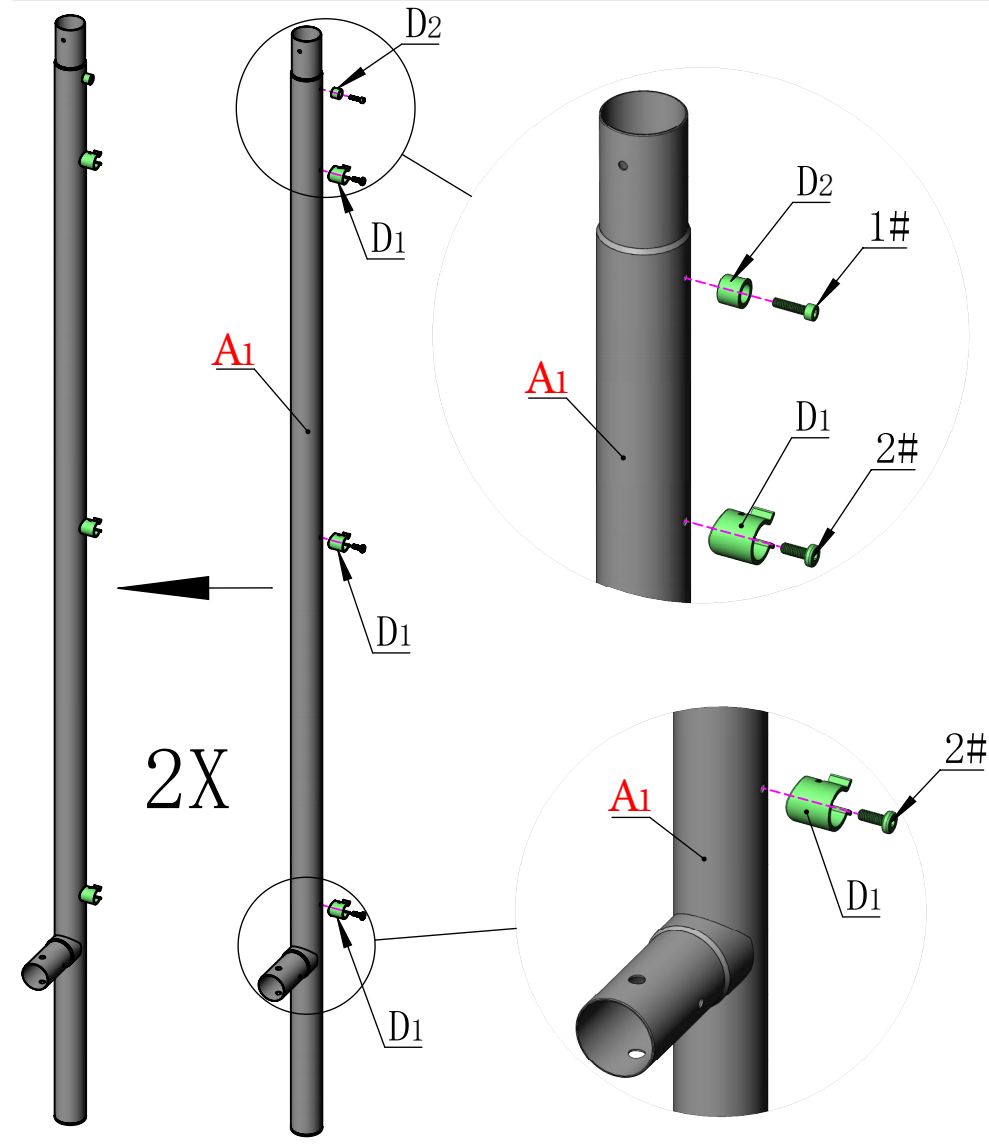
2# 12X

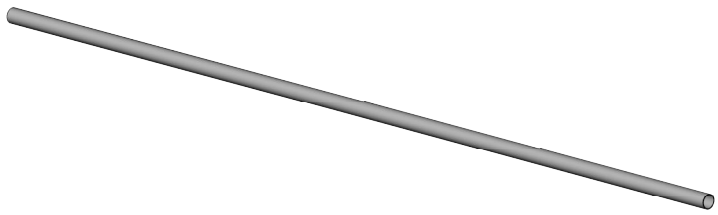
M6*16



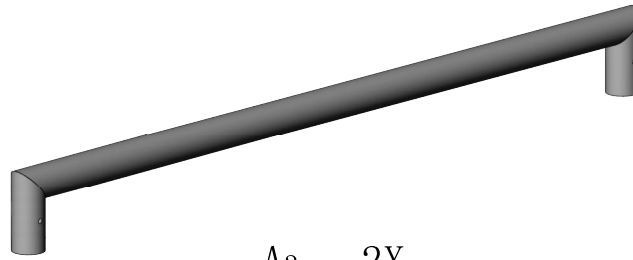
12# 1X

S4



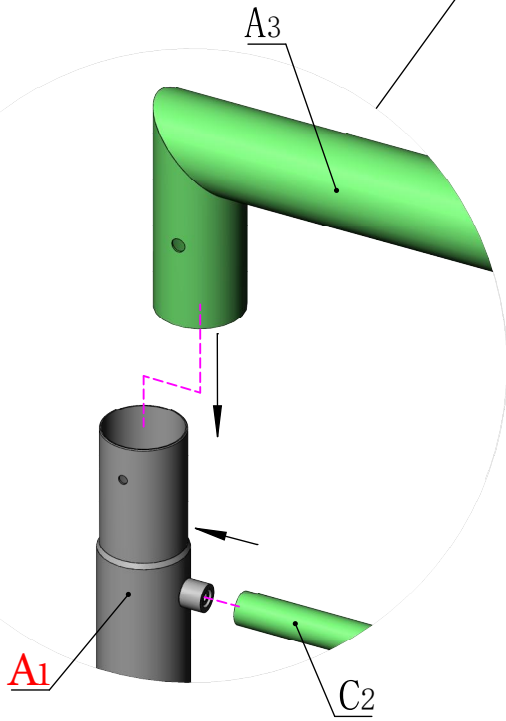
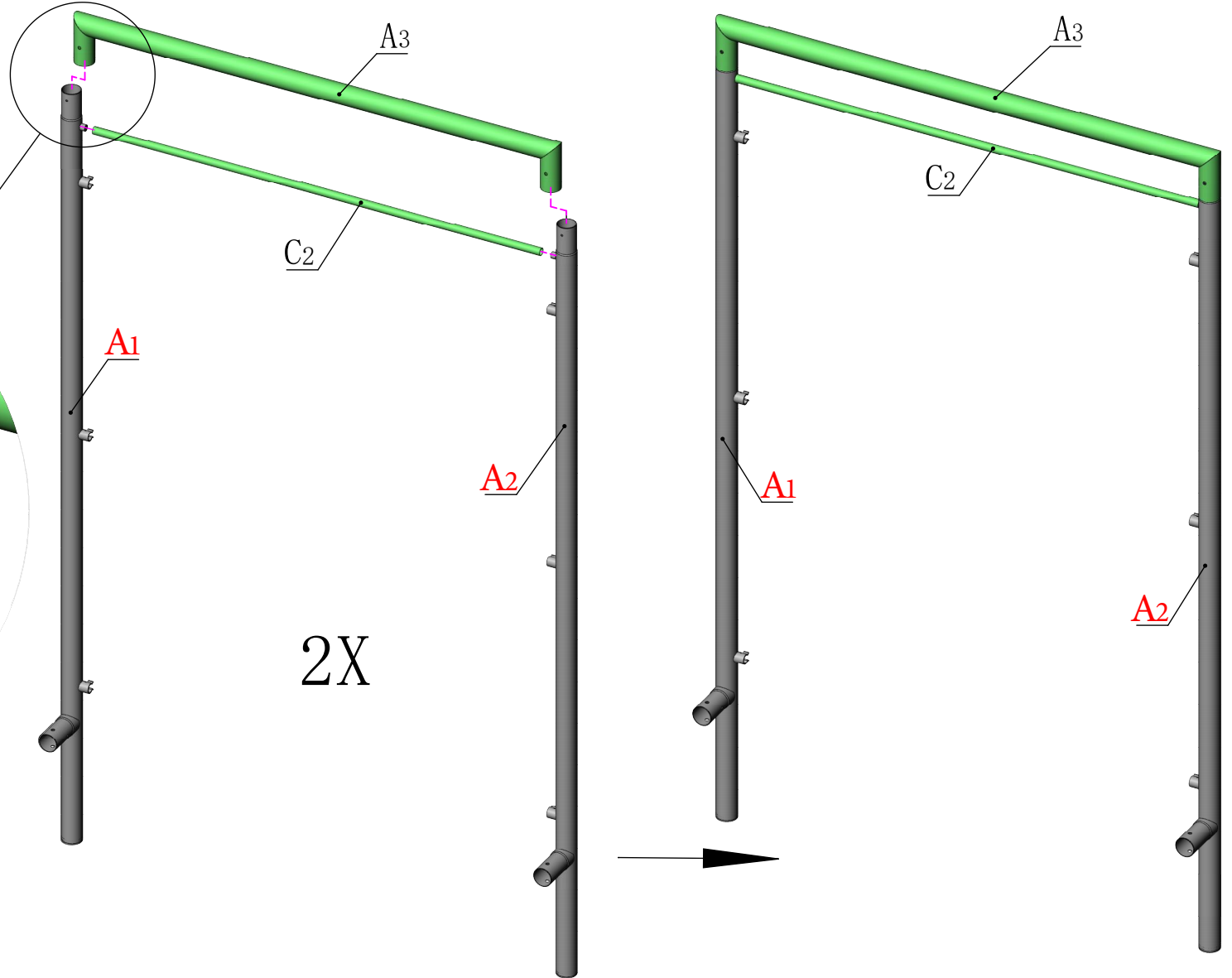


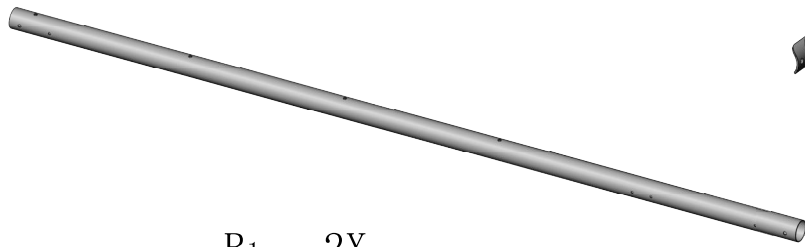
C2 2X



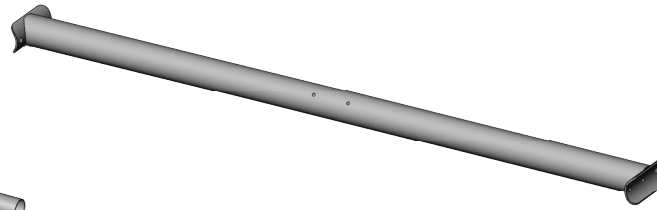
A3 2X

Step 1: Insert part C2.
Step 2: Insert part A3.

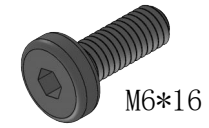




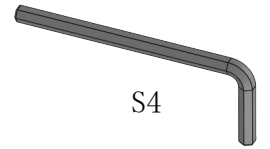
B1 2X



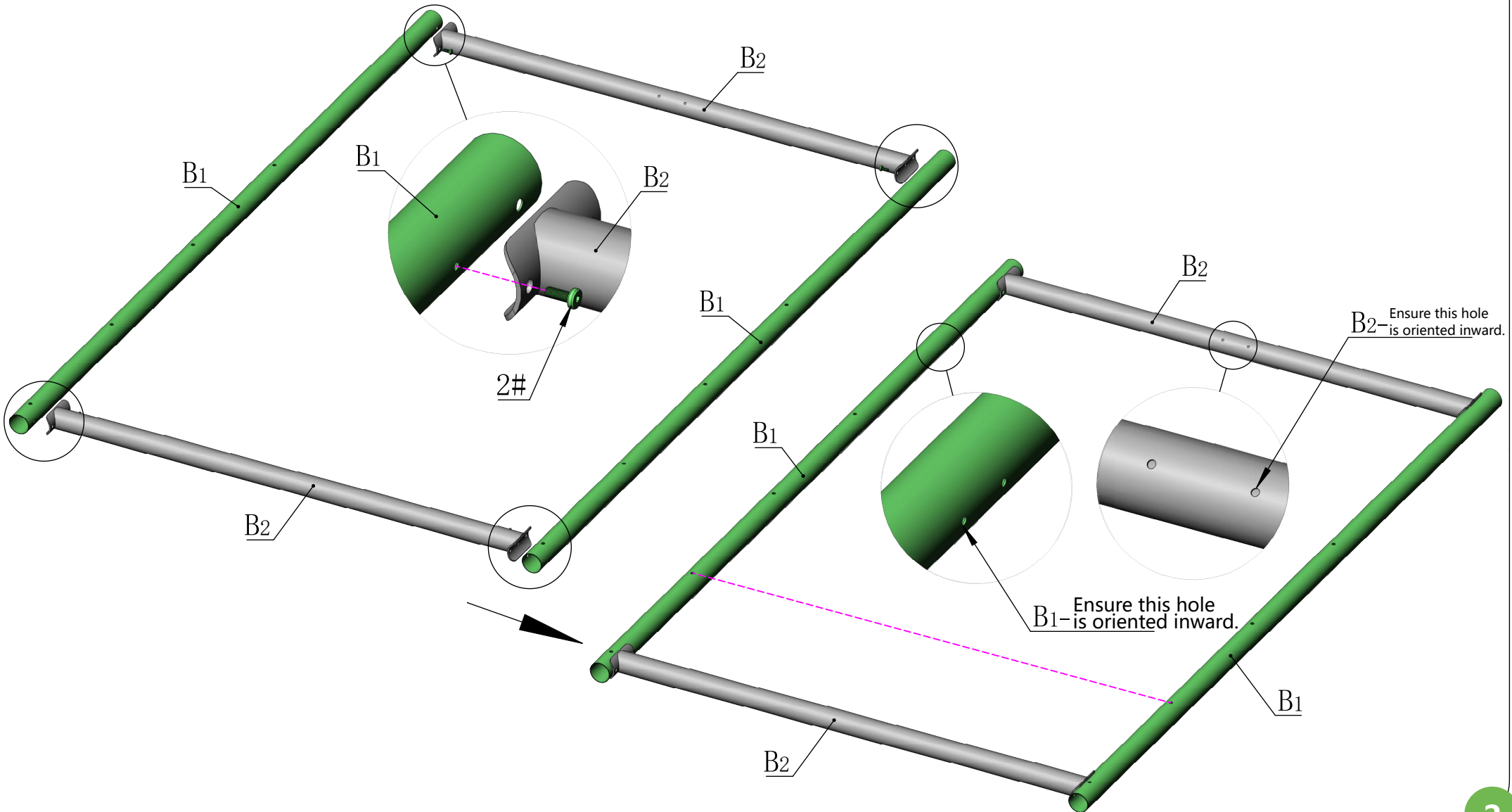
B2 2X



2# 4X

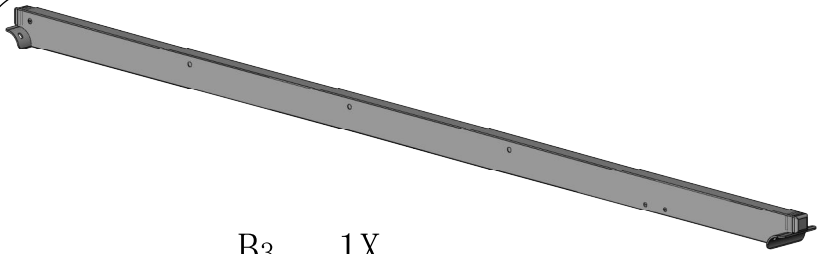


12# 1X

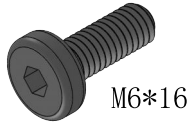


Ensure this hole B1 is oriented inward.

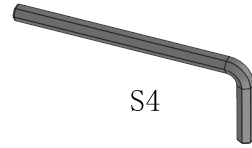
Ensure this hole B2 is oriented inward.



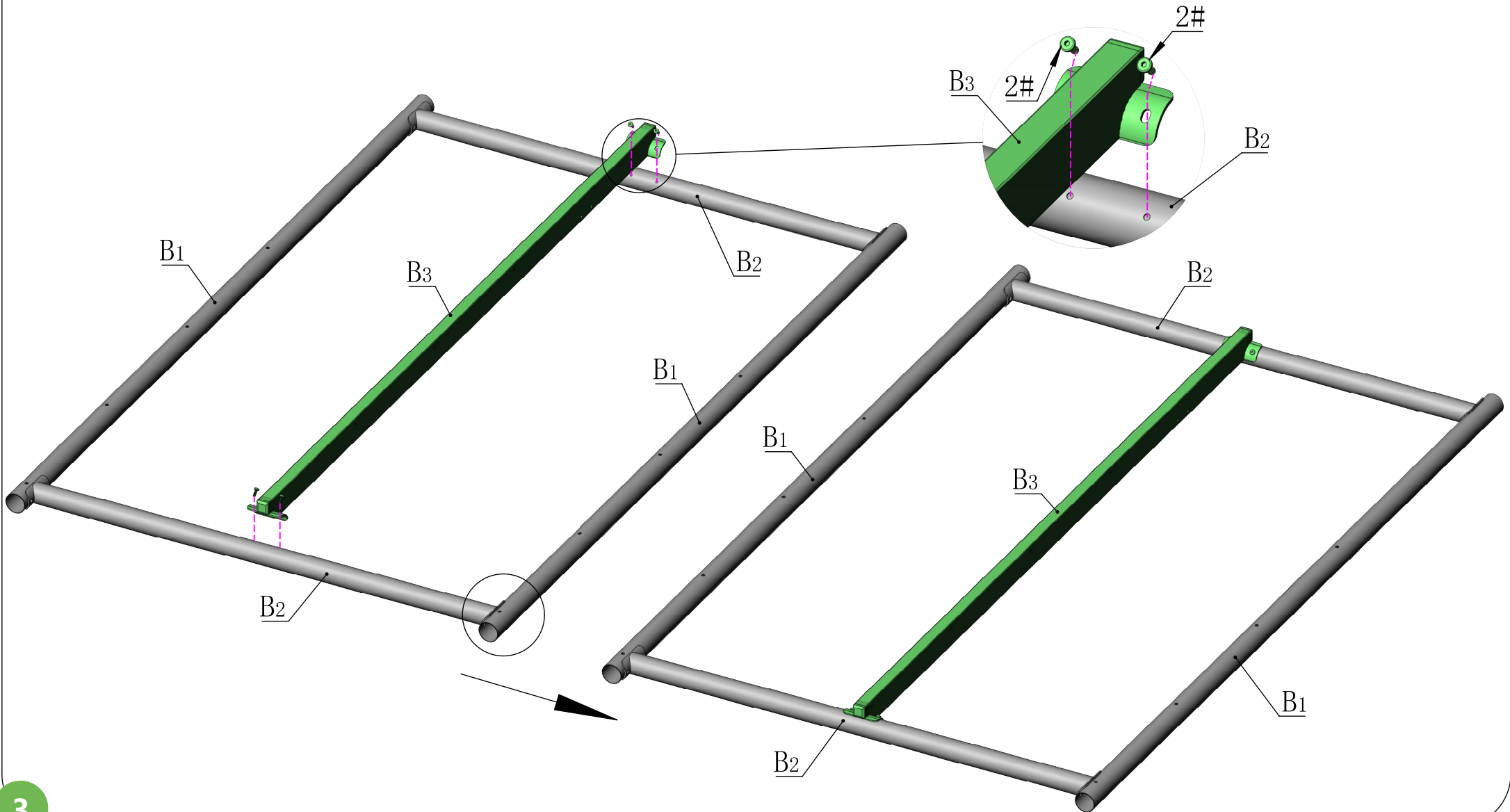
B3 1X

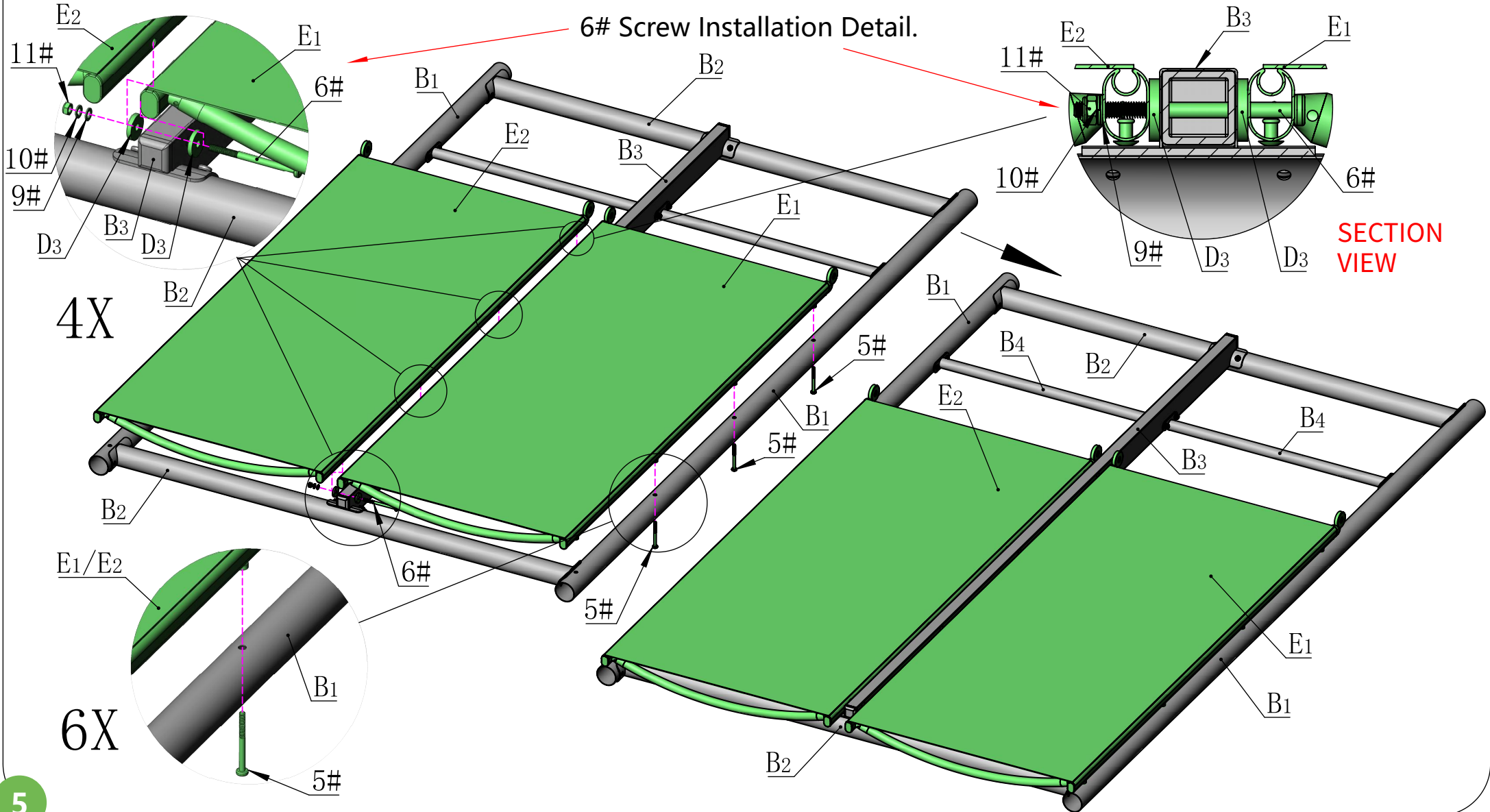
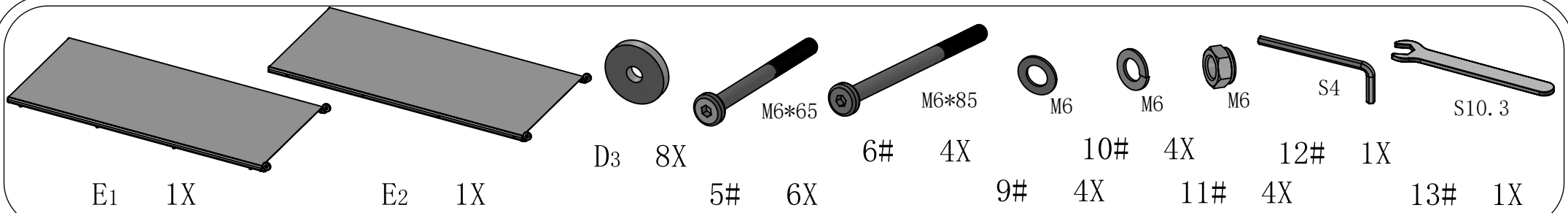


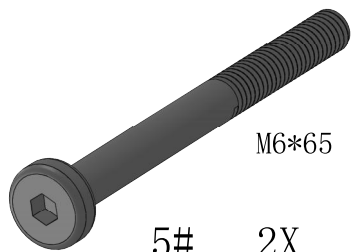
2# 4X



12# 1X

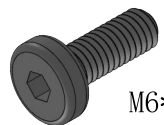






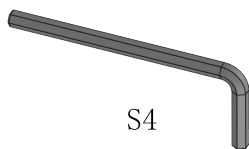
M6*65

5# 2X



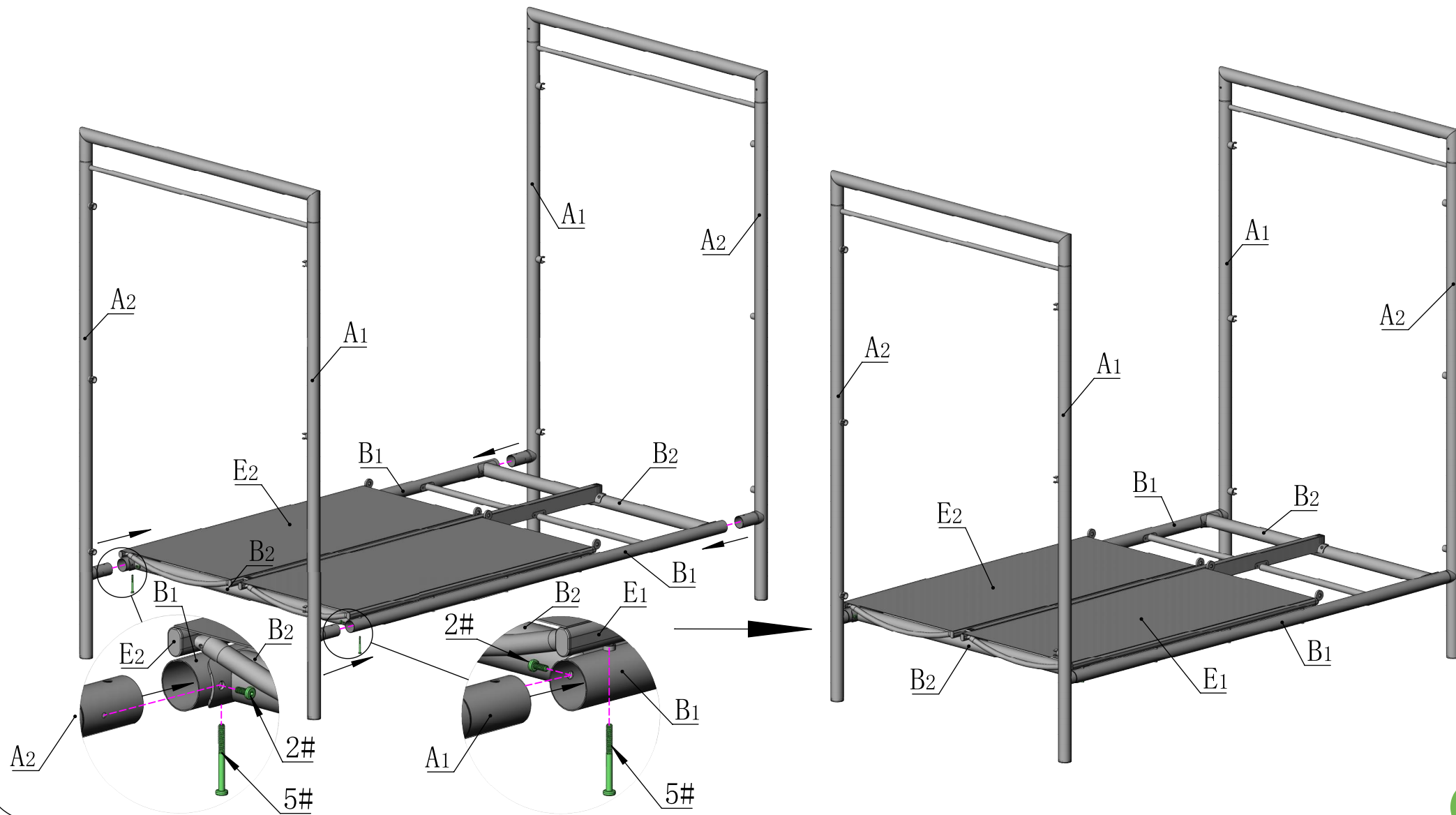
M6*16

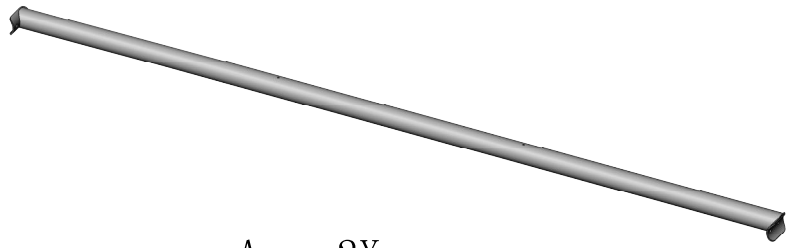
2# 4X



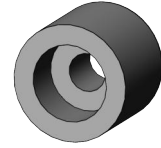
S4

12# 1X

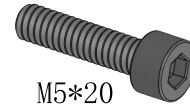




A4 2X

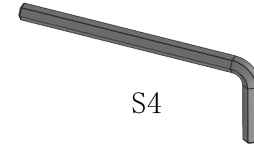


D2 4X



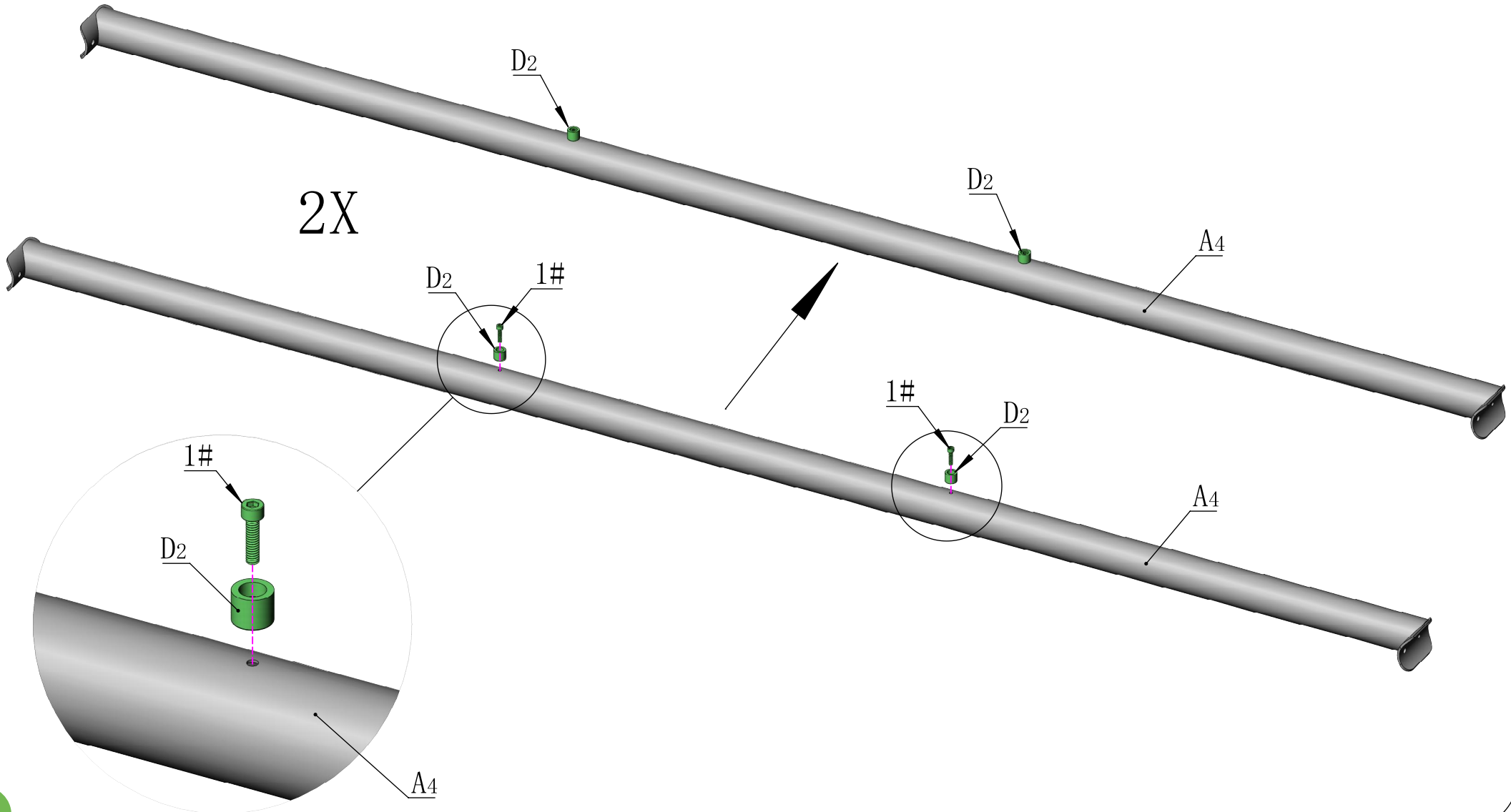
M5*20

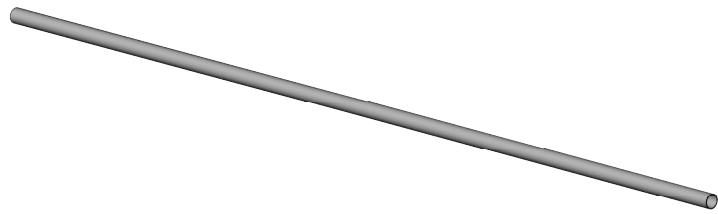
1# 4X



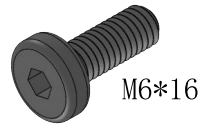
S4

12# 1X

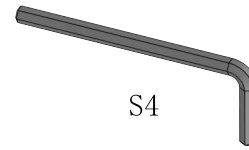




C2 2X

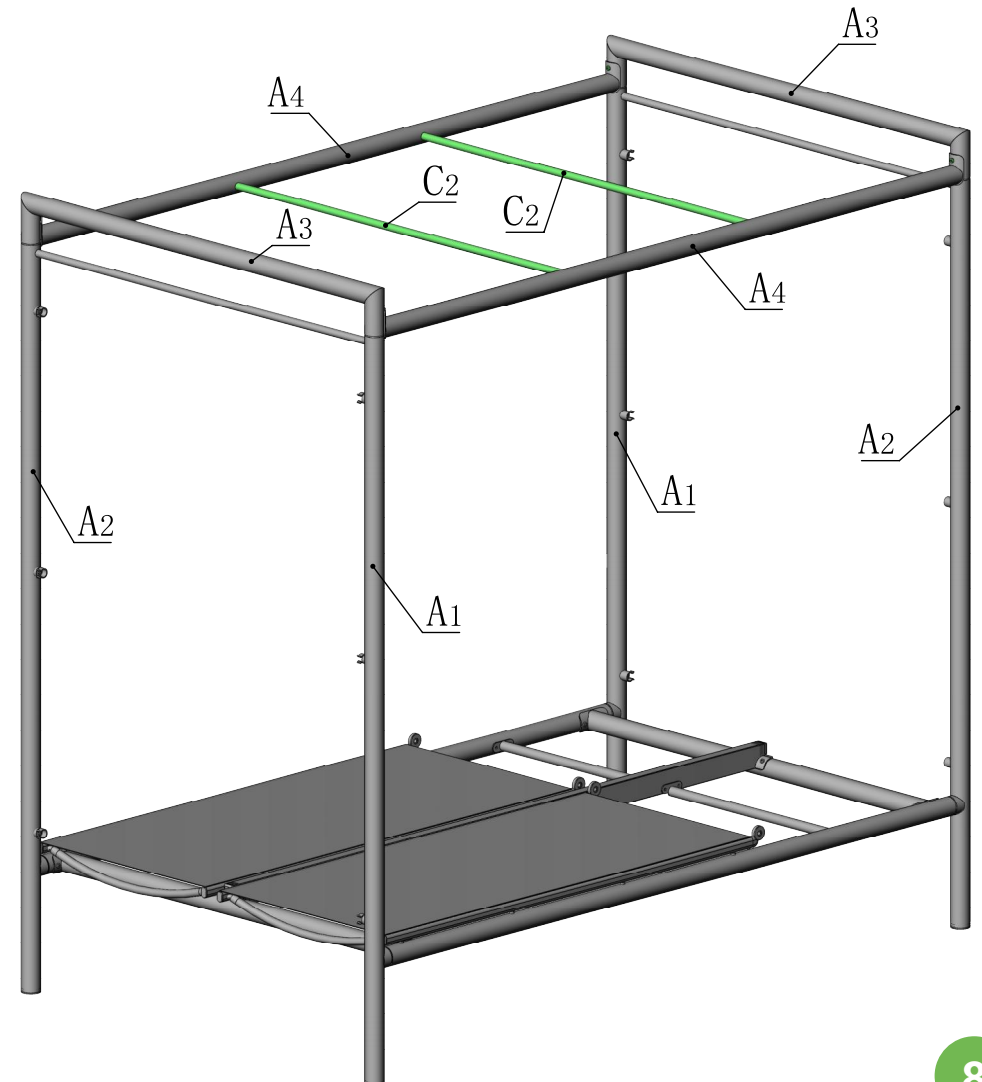
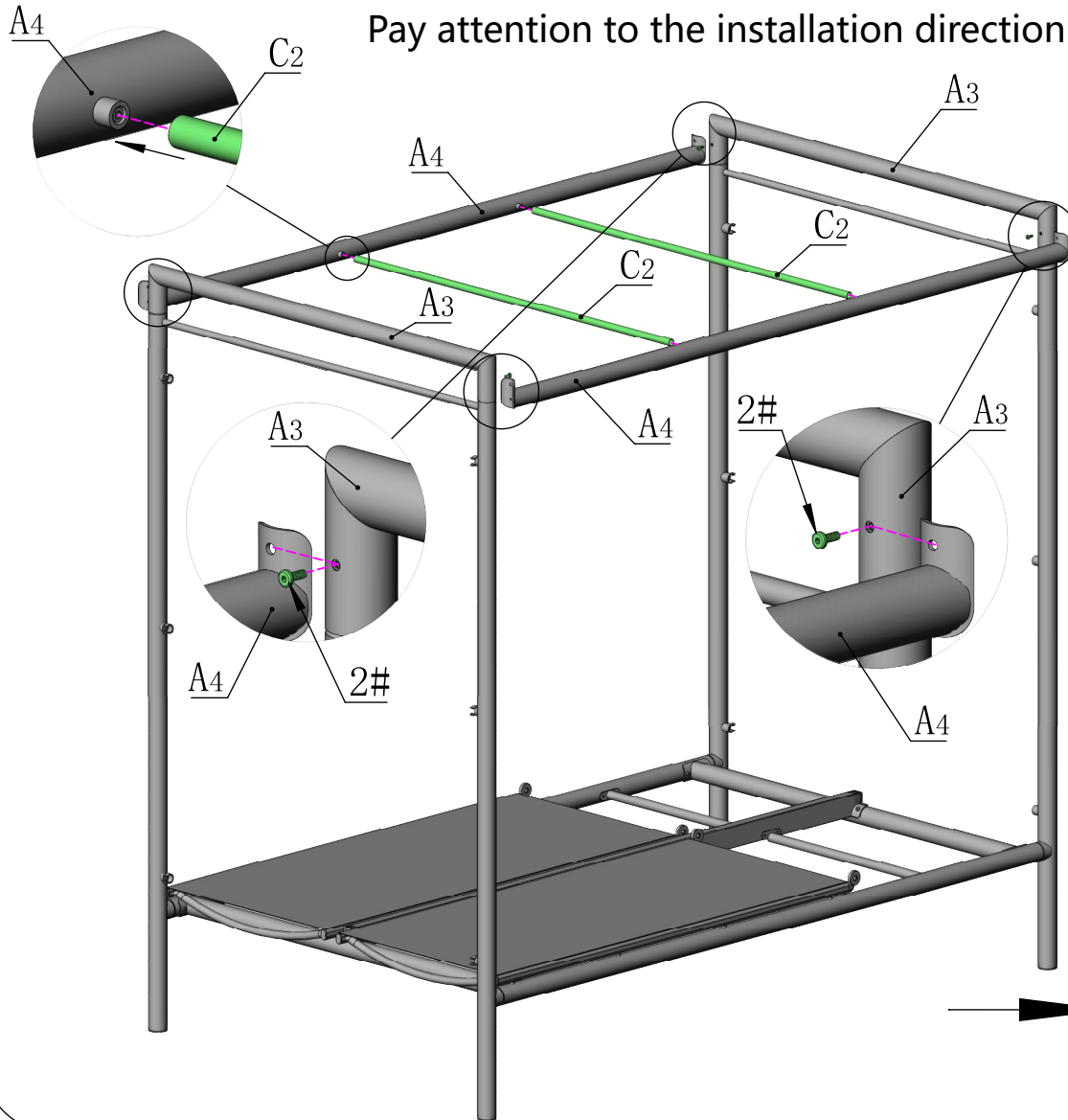


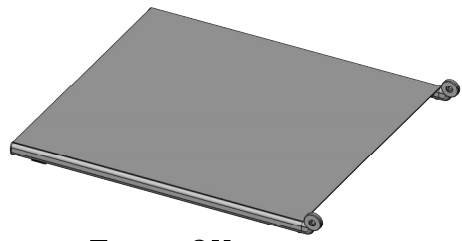
2# 4X



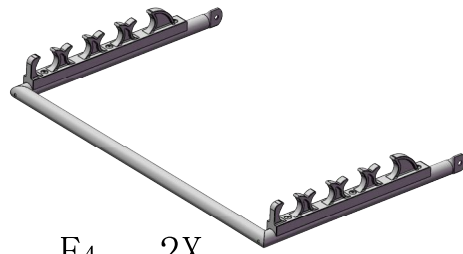
12# 1X

Pay attention to the installation direction of A4. The previously installed D2 should face inward.

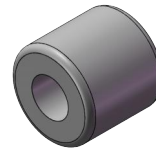




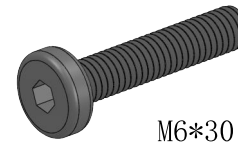
E3 2X



E4 2X

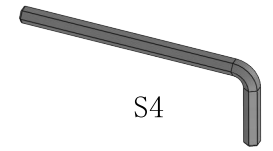


D4 4X



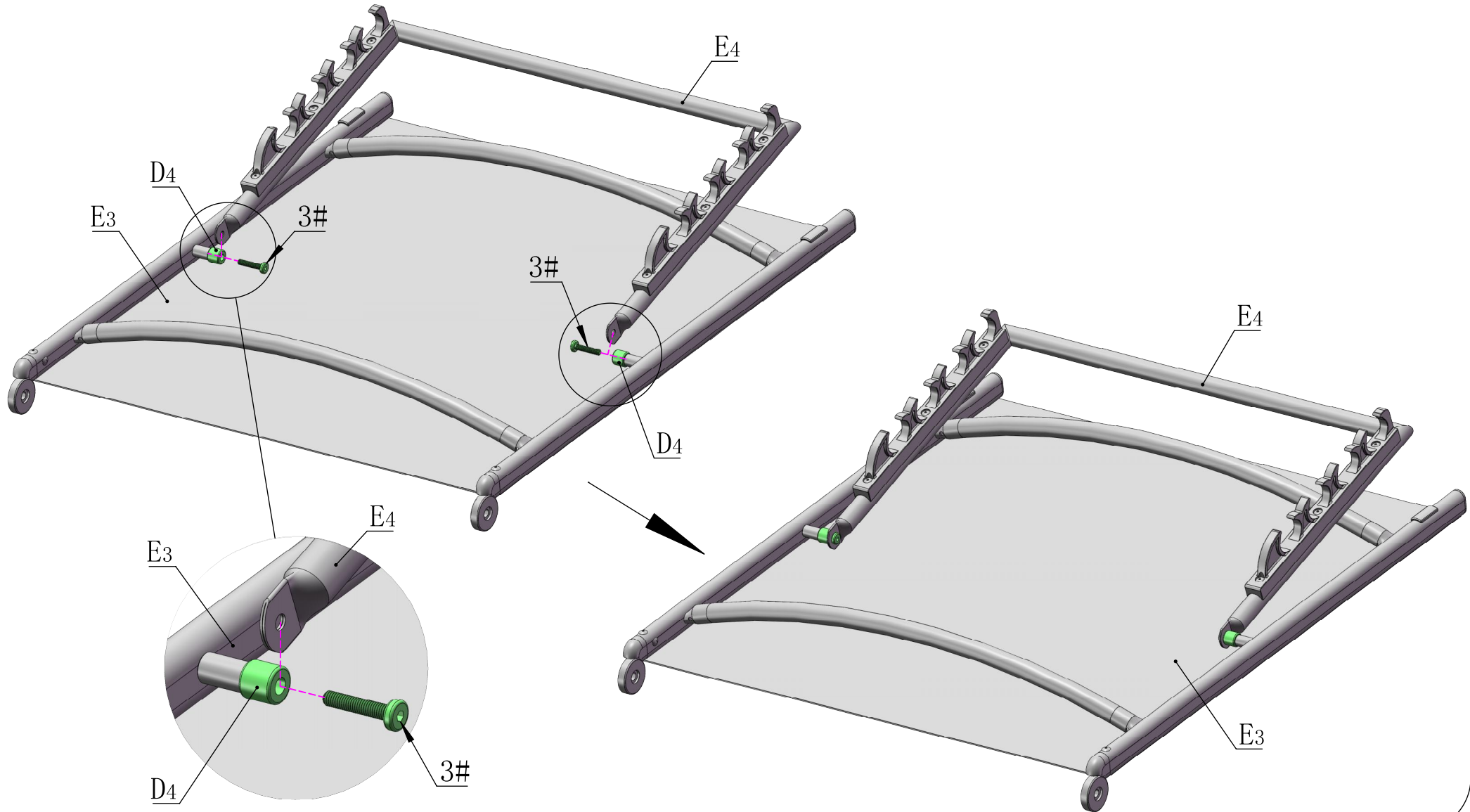
3# 4X

M6*30



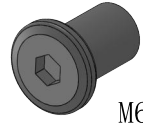
S4 12# 1X

S4

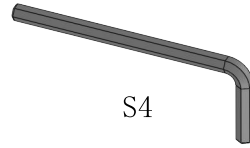




M6*8



M6*13

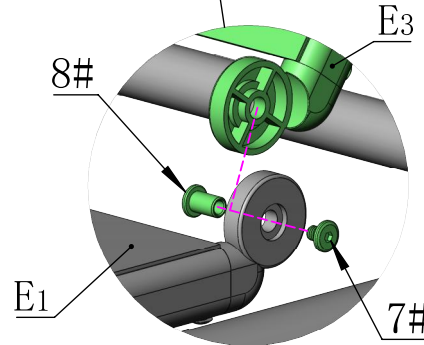
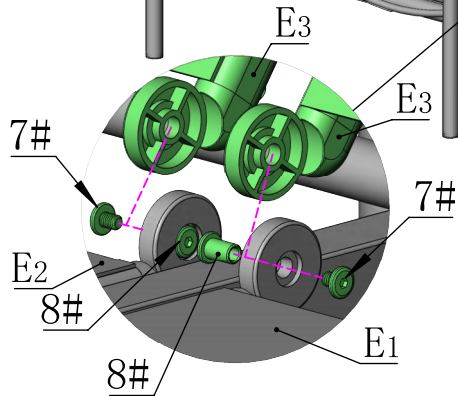
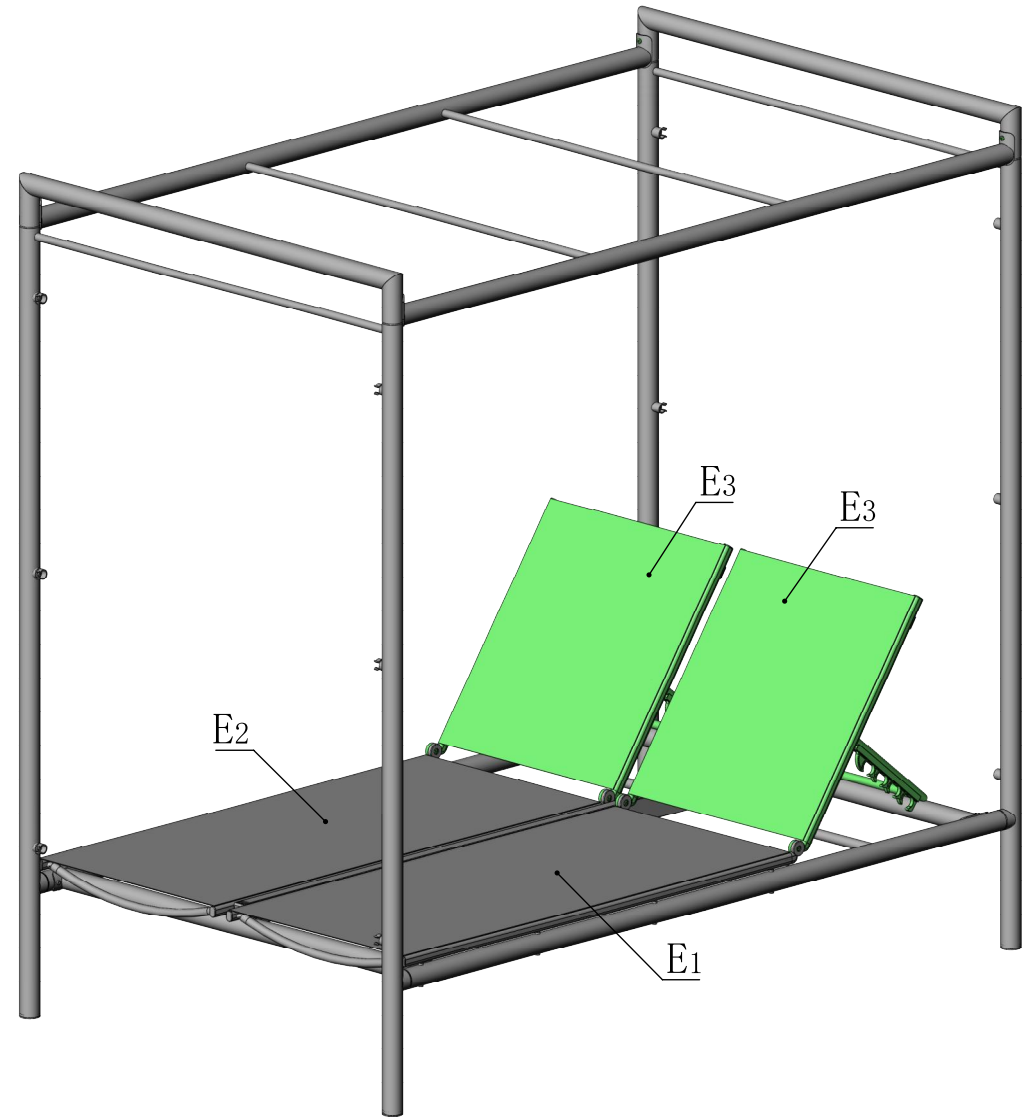
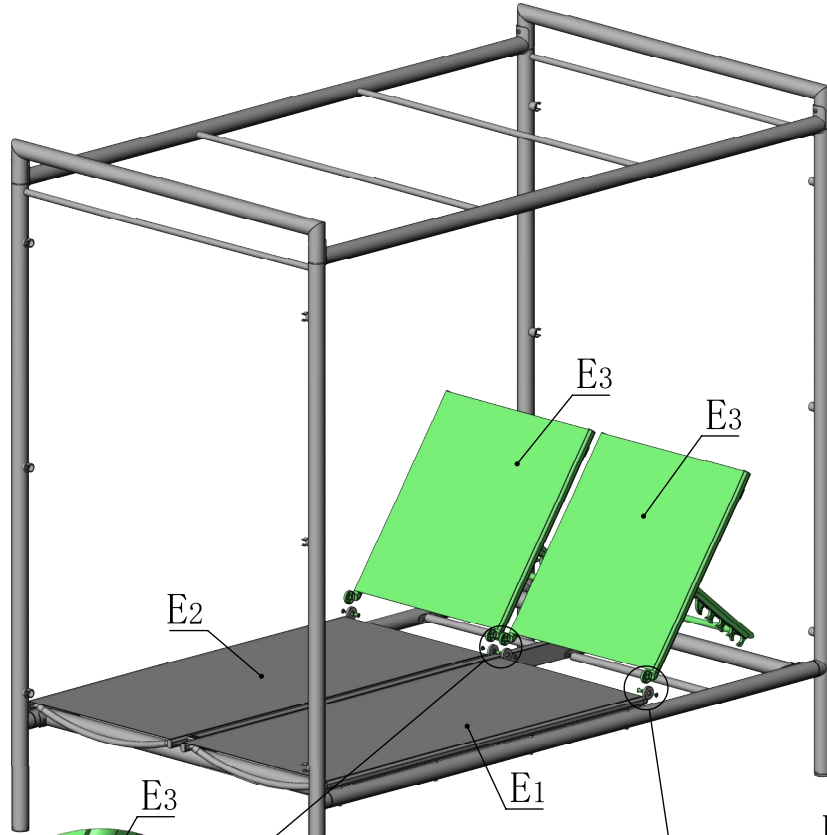


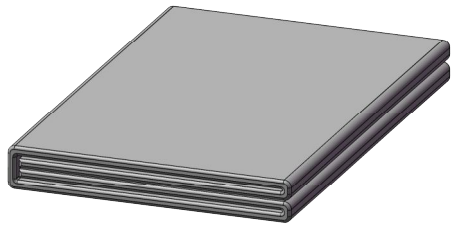
S4

7# 4X

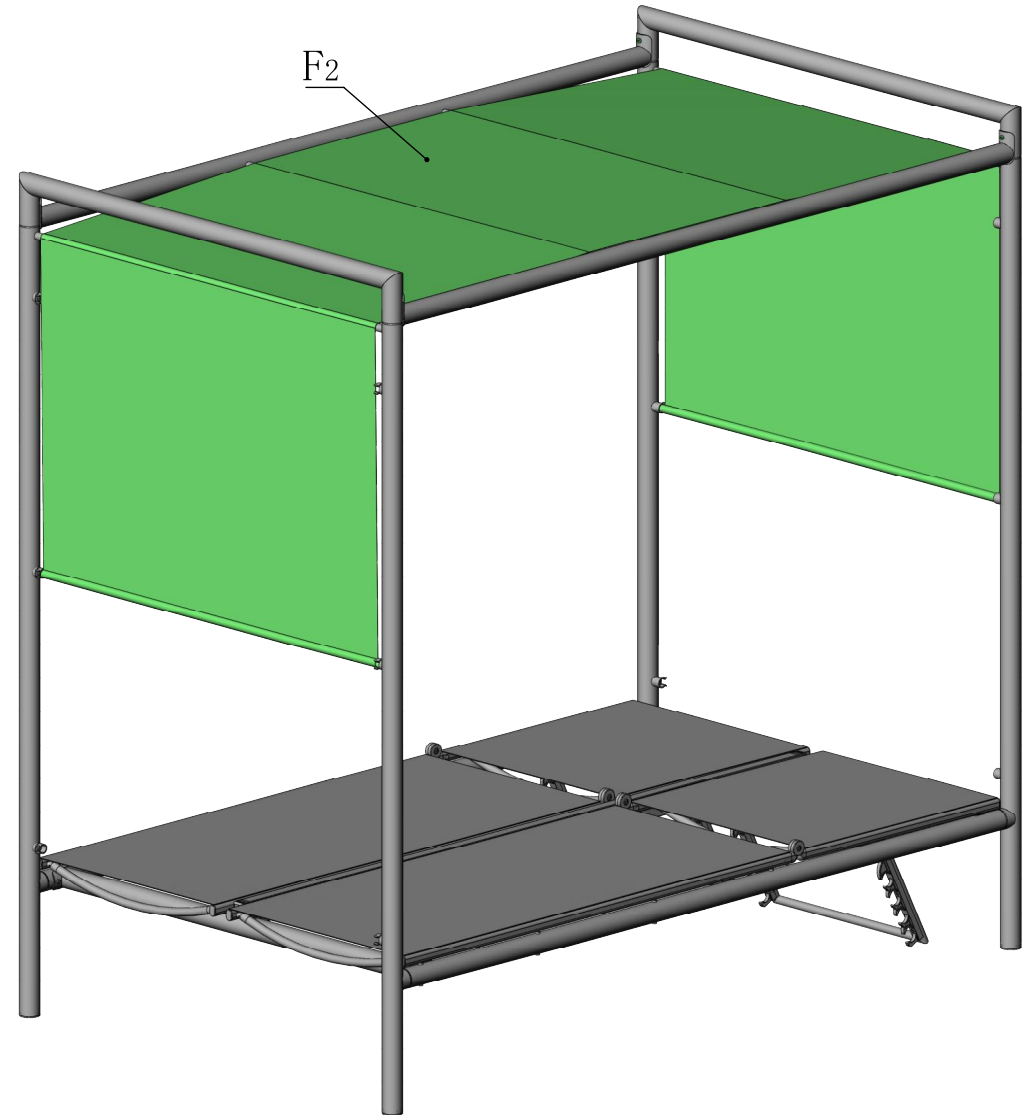
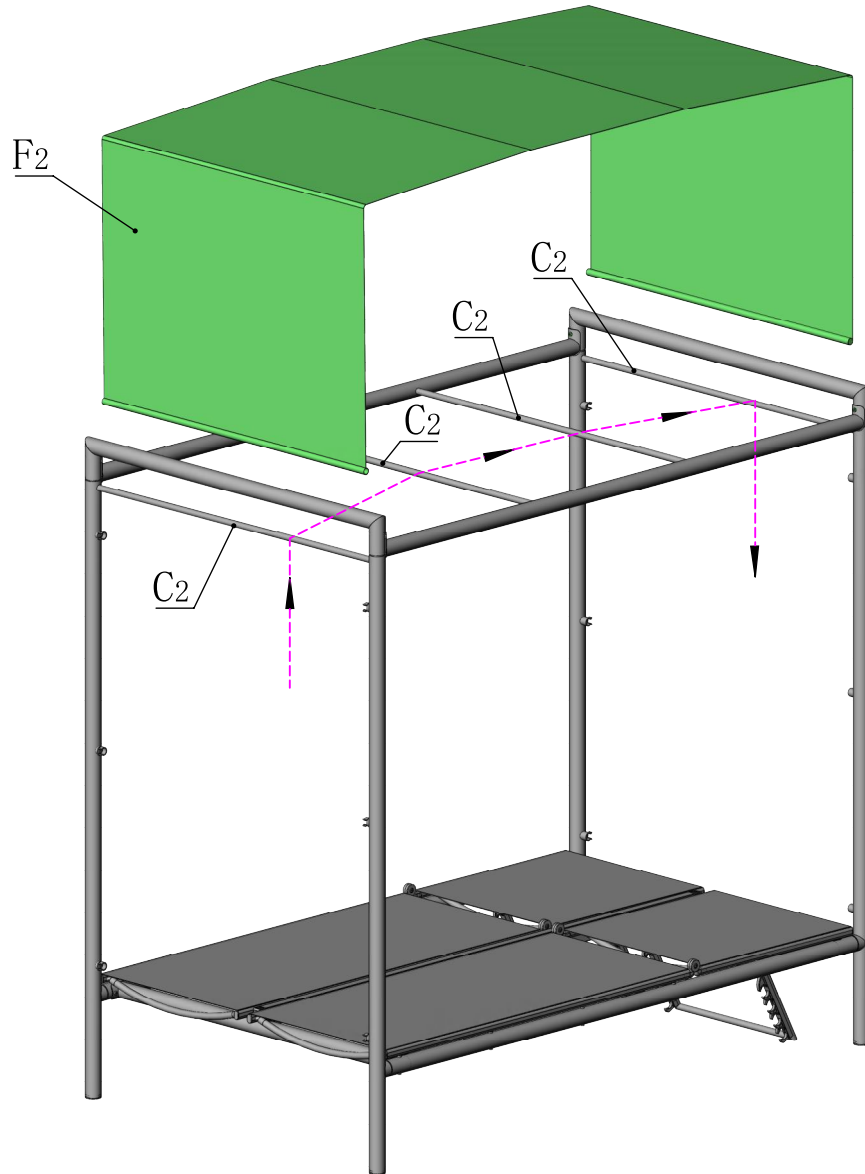
8# 4X

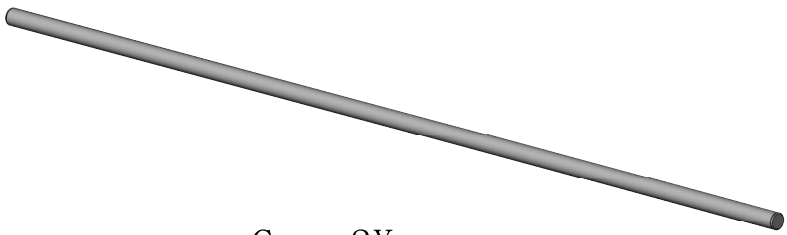
12# 2X





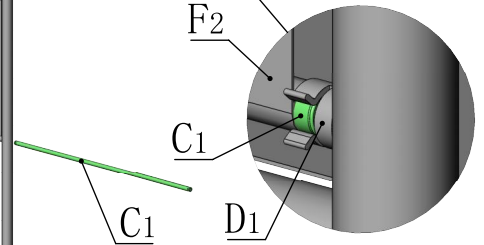
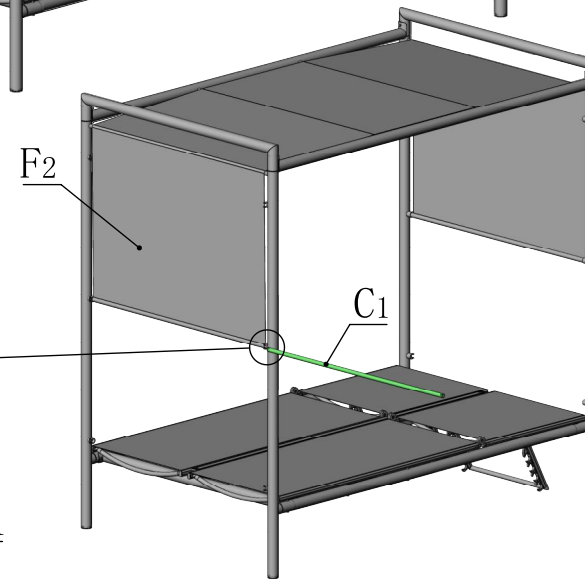
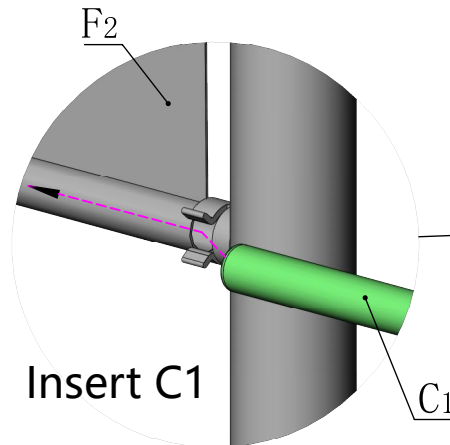
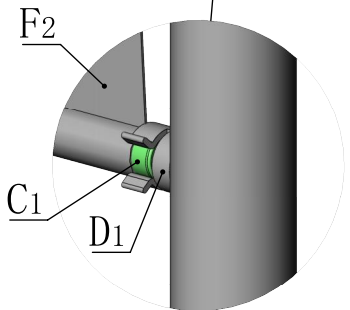
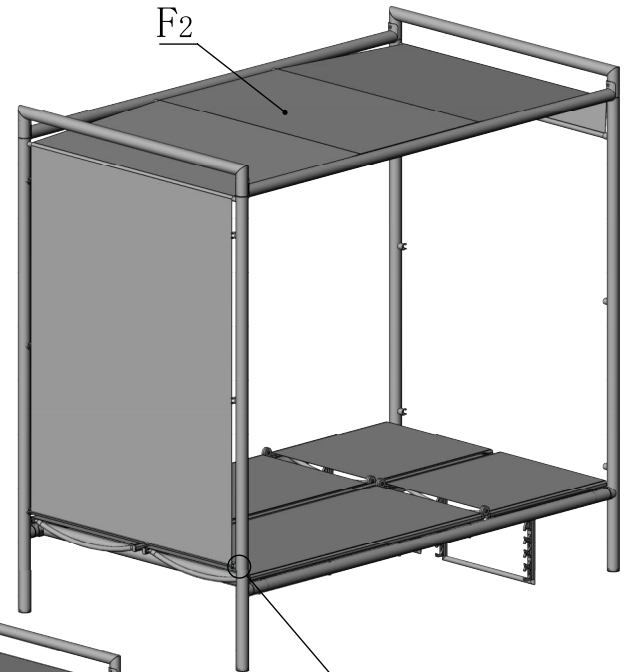
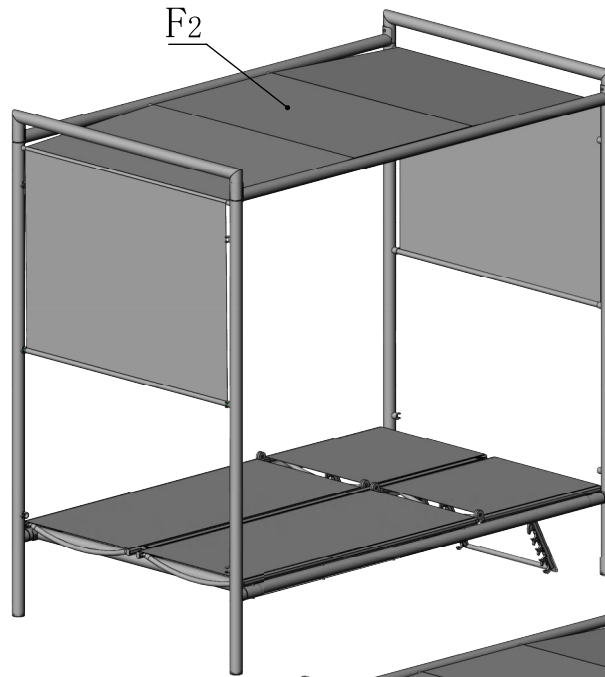
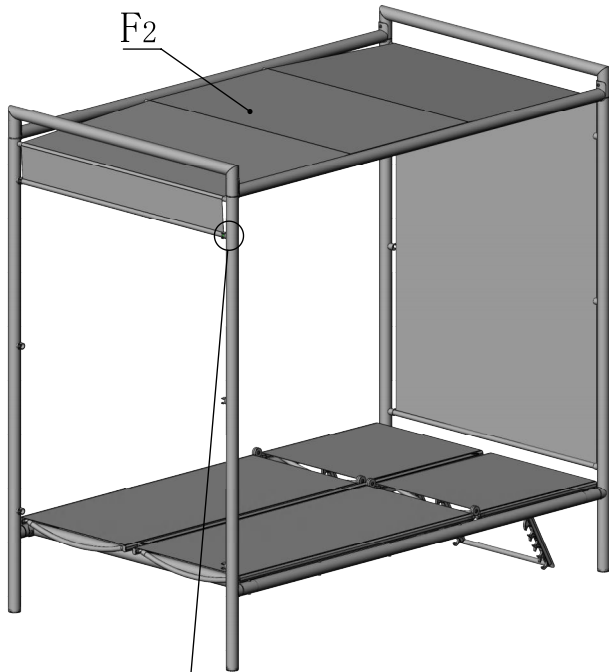
F2 1X

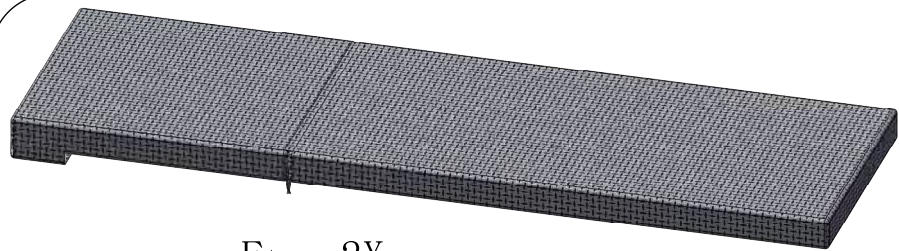




C1 2X

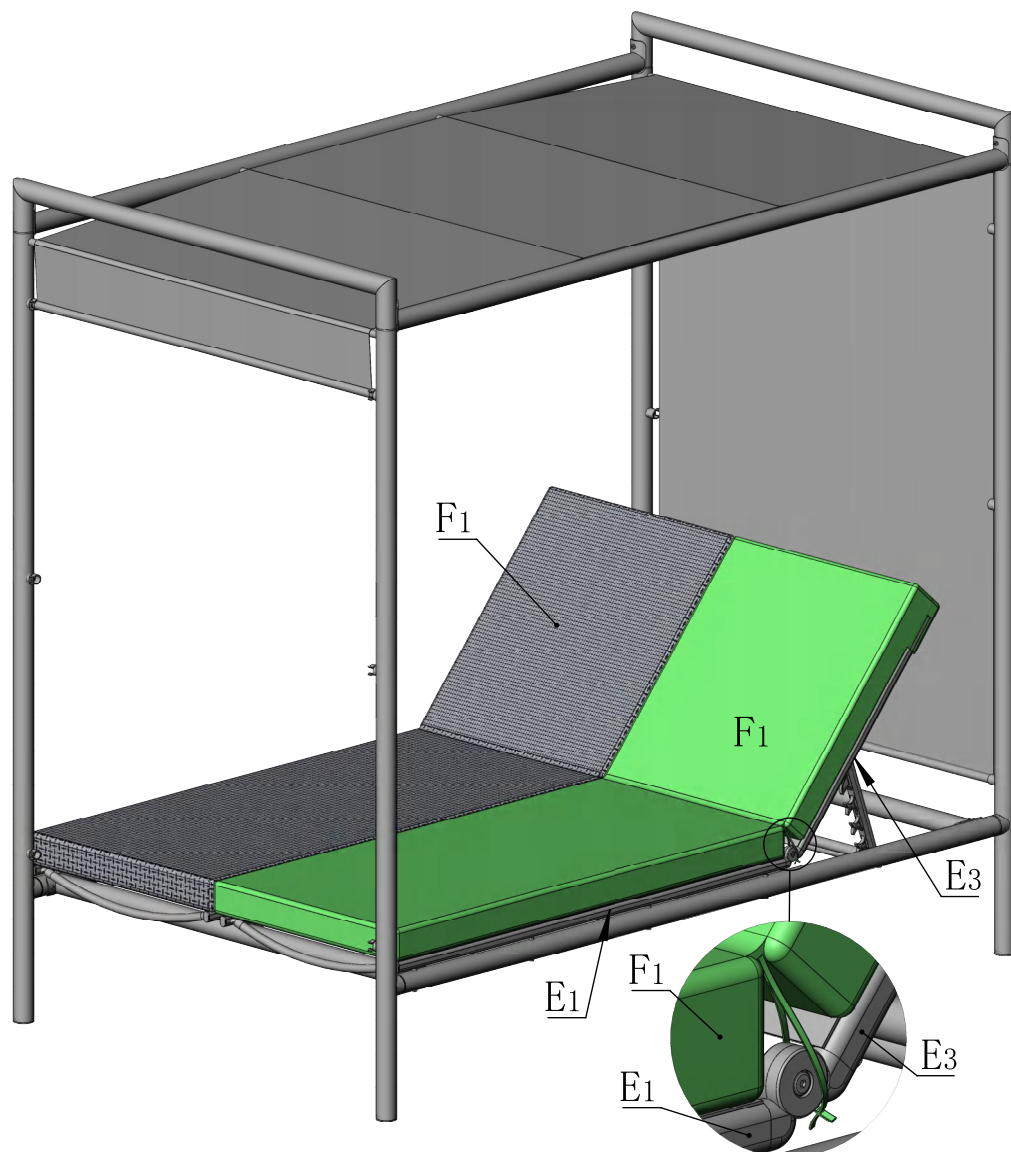
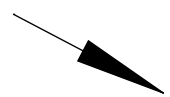
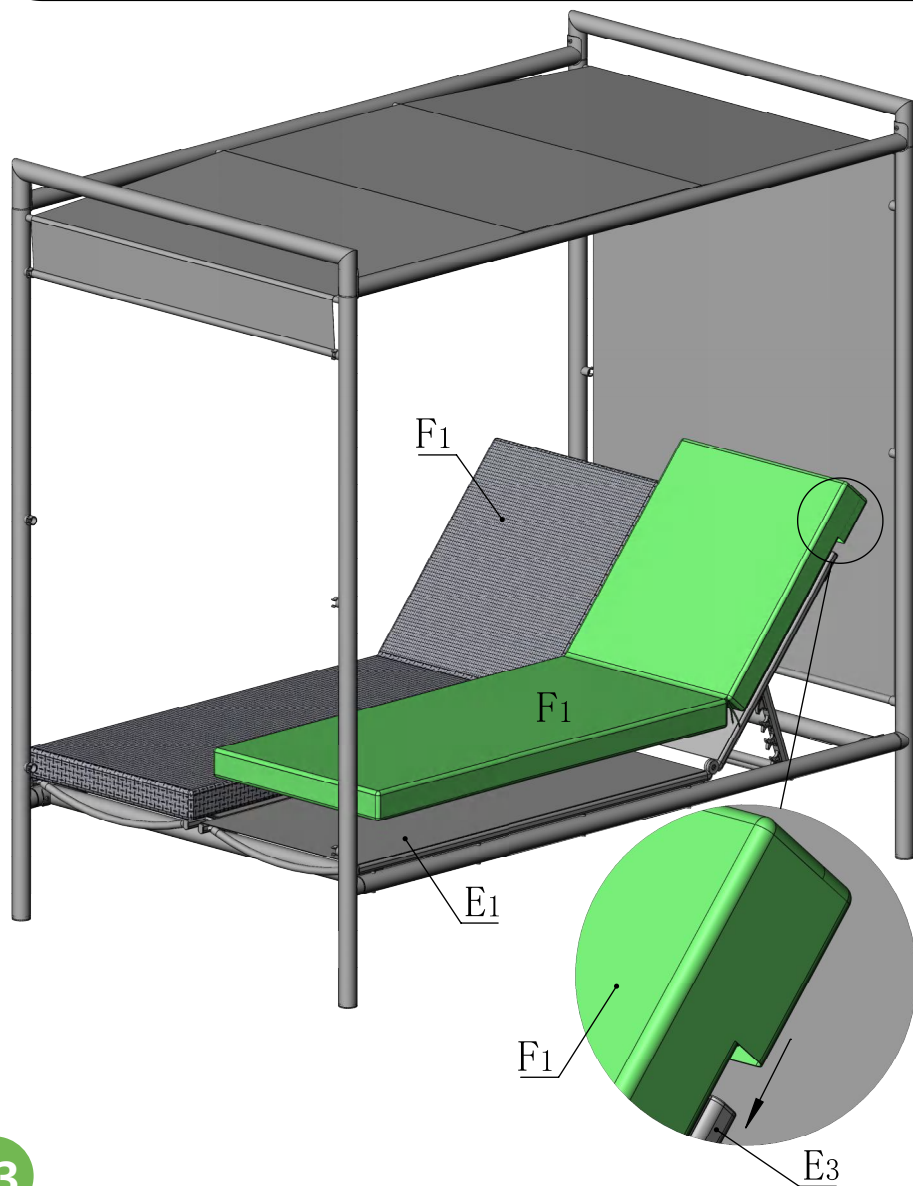
Adjust the canopy up or down as needed to meet your shading requirements.

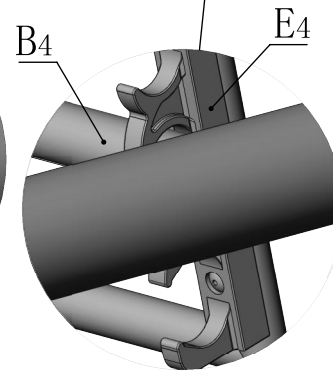
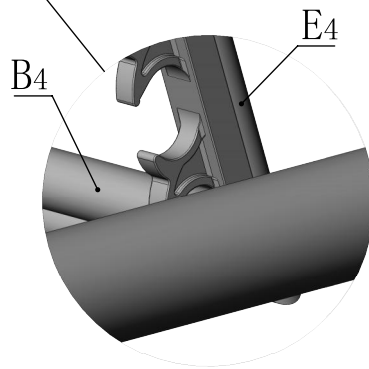




F1 2X

Tie the strap of F1 to E3.





5-level adjustment.

Warranty

Frames

Frames constructions are warranted to be free from defects in material and workmanship for 1 year from item purchased. Damage to frame from negligence won't be covered by this warranty.

Bolts & nuts

Bolts and nuts are warranted to be free from defects in material and workmanship for 1 year from item purchased. Damage from exposure to chemicals (including not only oils ,spills, fluids) won't be covered by this warranty.

Warranty Limitation

This warranty is for the original purchase order only. (Order number required). This warranty is non-transferable. Outdoor living is responsible for the free replacement part including shipping charges for the 1 year warranty.

Warranty Exclusion

This warranty does not cover products subject to negligence, abuse usage, inappropriate installation. Outdoor living reserves the right to explain warranty exclusions. When the replacement item is applied, the 1 year warranty automatically expires. Please feel free to contact us for applying warranty.