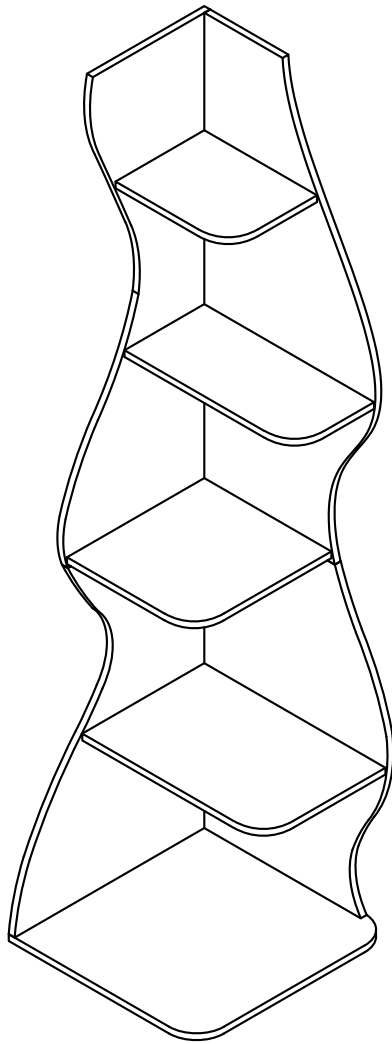
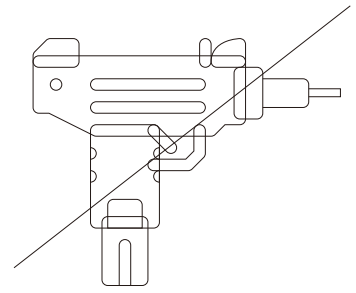
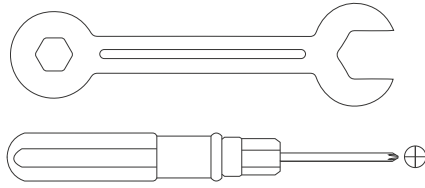
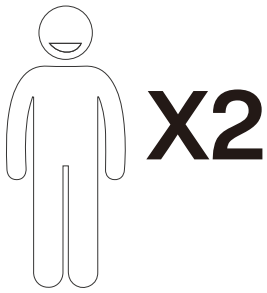


Assembly Instructions



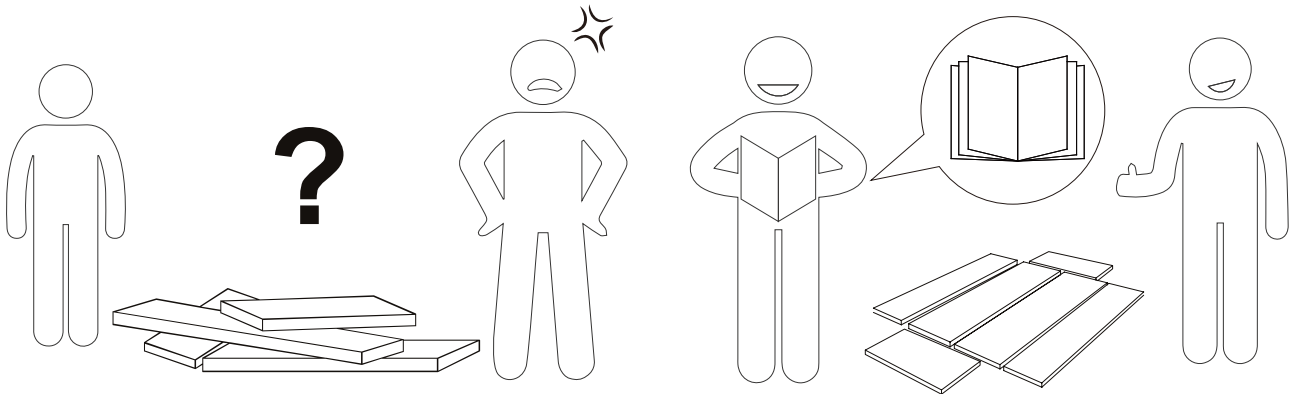
Warm Tips

1. Carefully read these instructions and keep them for future reference.
2. Check the parts list and confirm everything's there before starting assembly.
3. When assembling, put all parts on a soft, smooth surface like a carpet to avoid scratches.
4. Don't fully tighten screws until all parts are confirmed in place to avoid misalignment.



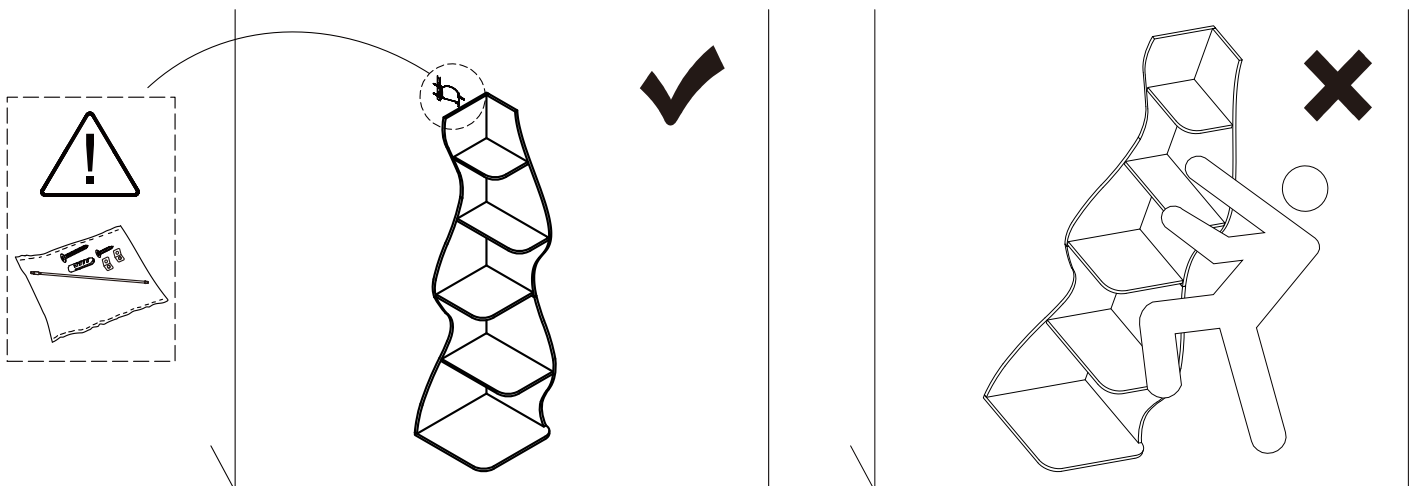
We recommend using hand tools for assembly.

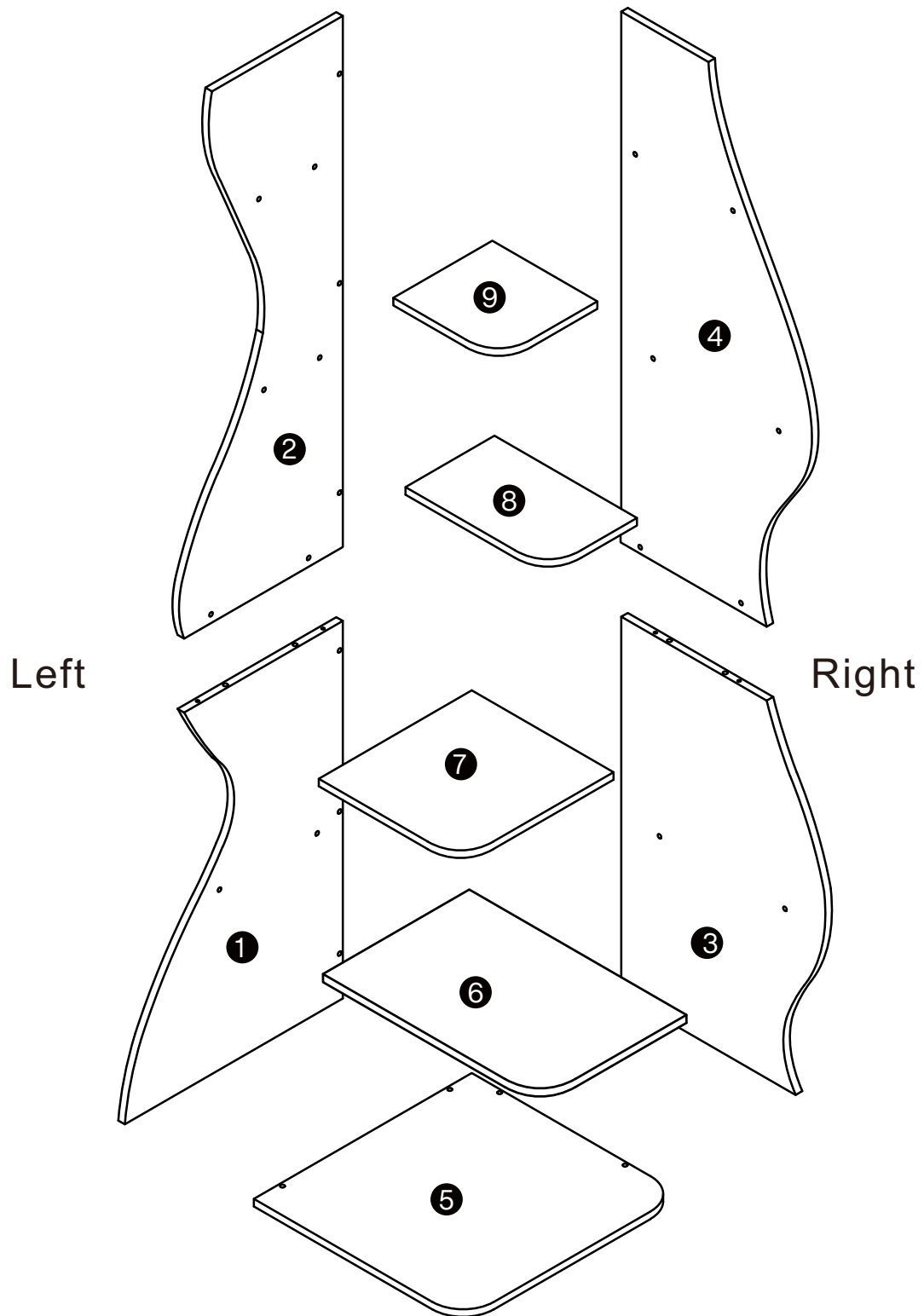
If an electric screwdriver is used, reduce power and torque to avoid damage to the product.



Install the Anti-Tip Straps

Using the anti-tip straps can reduce the risk of tipping over, but can not eliminate it.

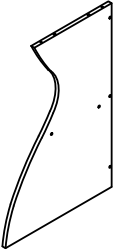

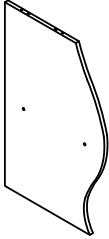

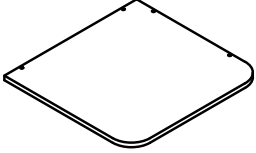
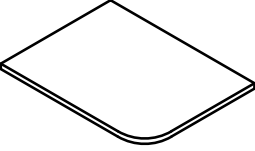
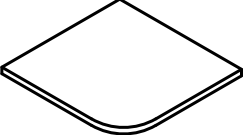













⚠ Caution

Make sure all parts are included. Most board parts are labeled or stamped on the raw edge. Contact us for a free replacement if you encounter any damaged or missing parts.

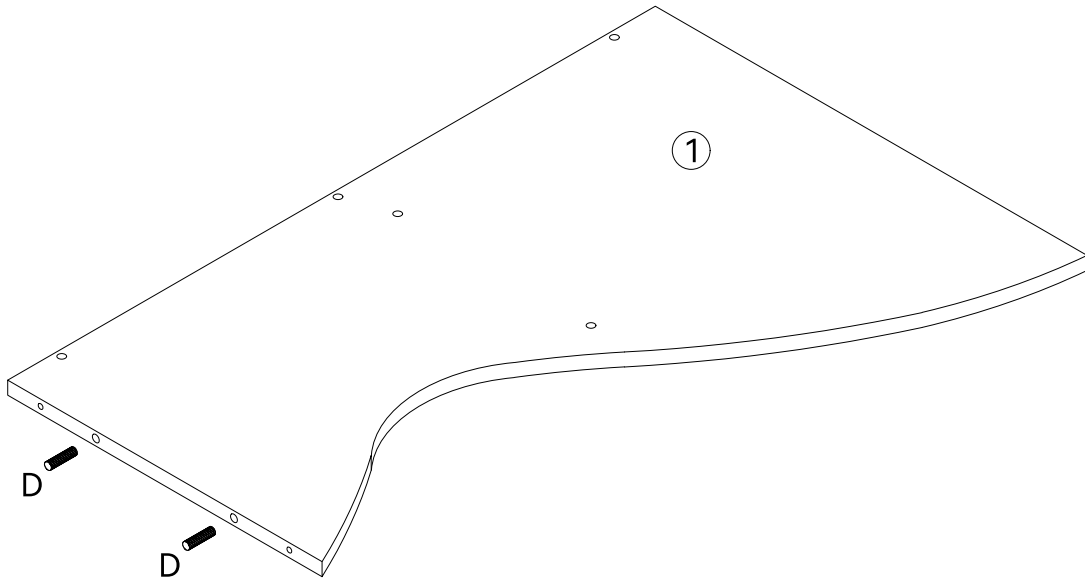
Parts List

				
① 1pc	② 1pc	③ 1pc	④ 1pc	⑤ 1pc
				
⑥ 1pc	⑦ 1pc	⑧ 1pc	⑨ 1pc	

Hardware List

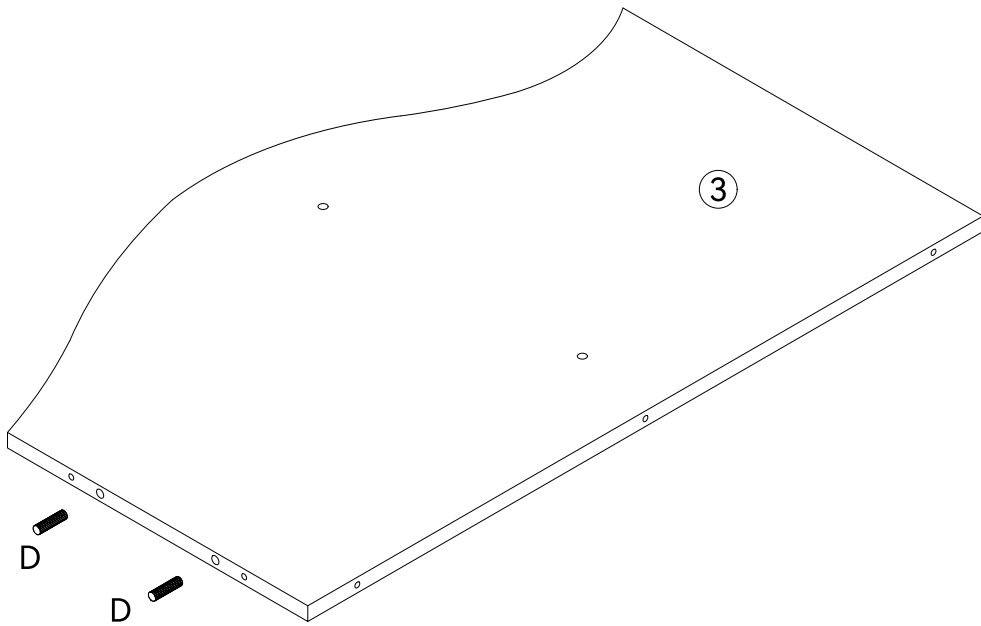
						
A	B	C M7x40mm	D	E	F	G
4 pcs	4 pcs	26 pcs	4 pcs	1 pcs	1 pcs	4 pcs

1



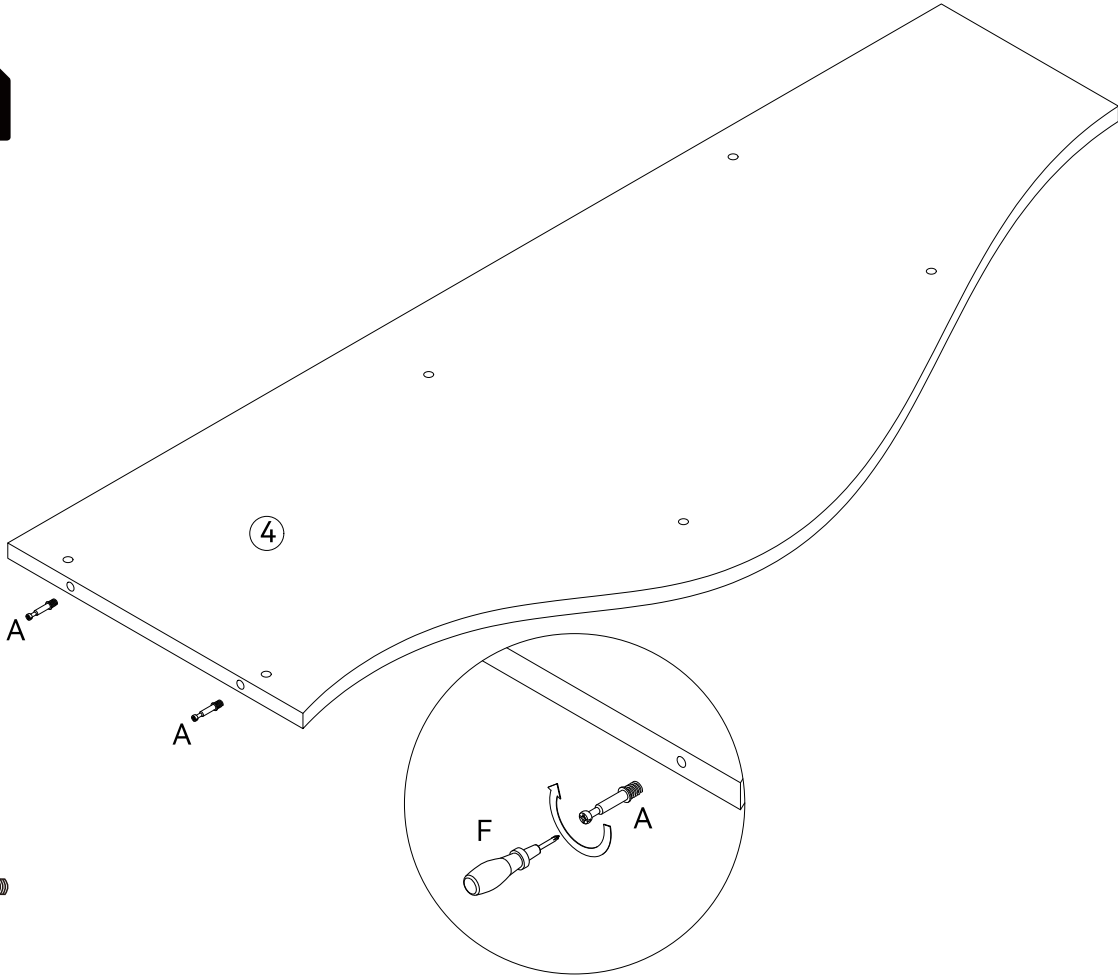
D
2 pcs

2



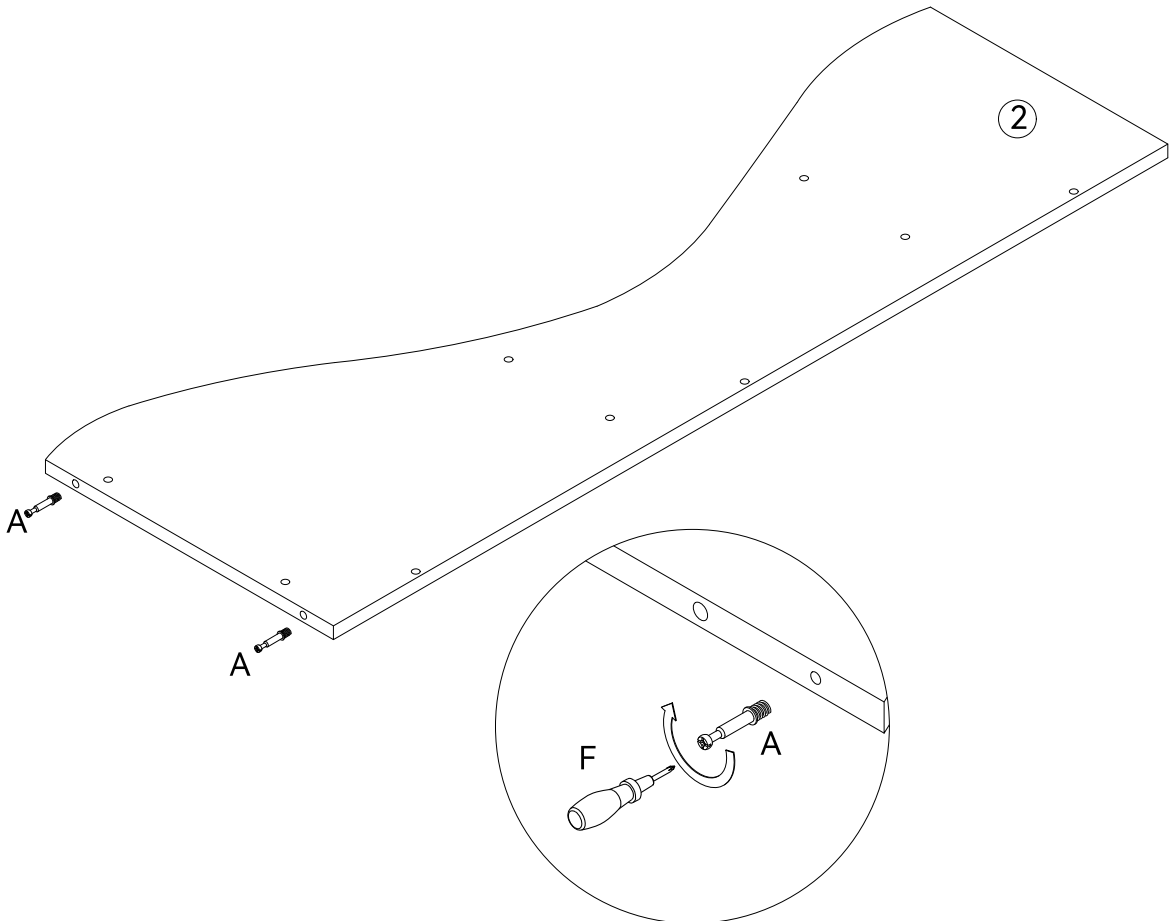
D
2 pcs

3



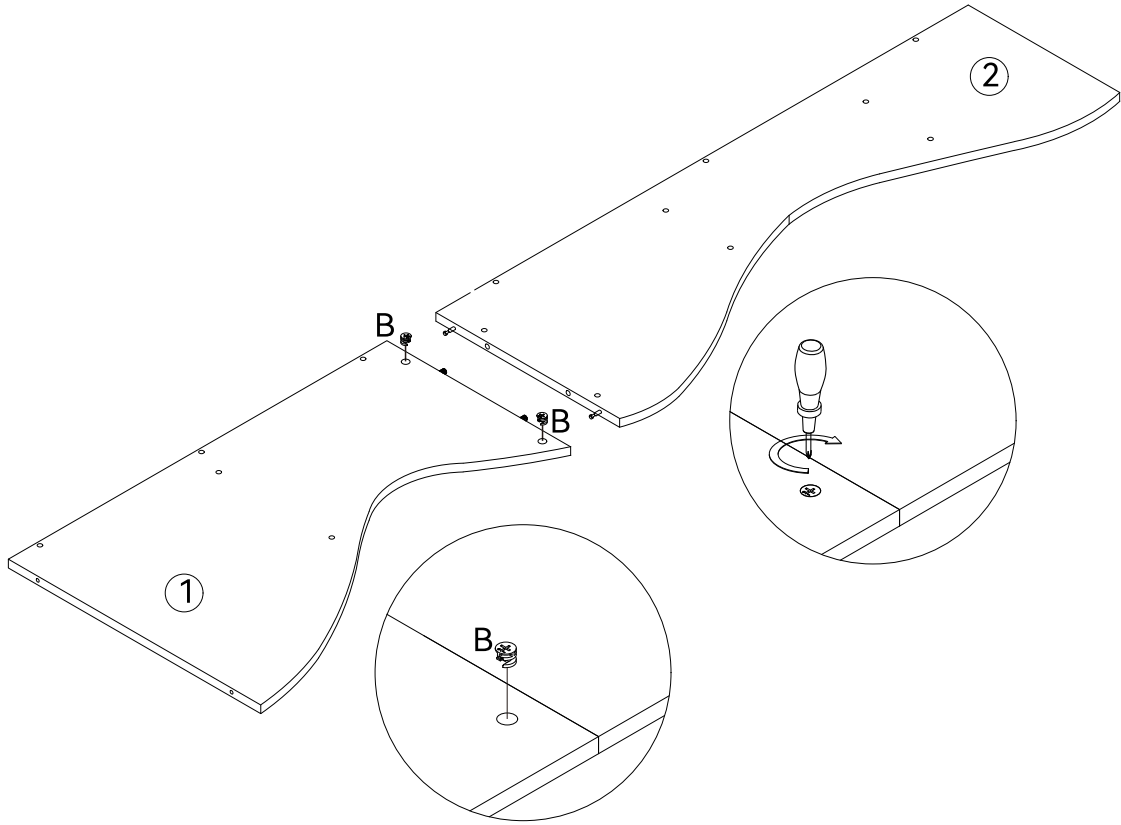
A
2 pcs

4



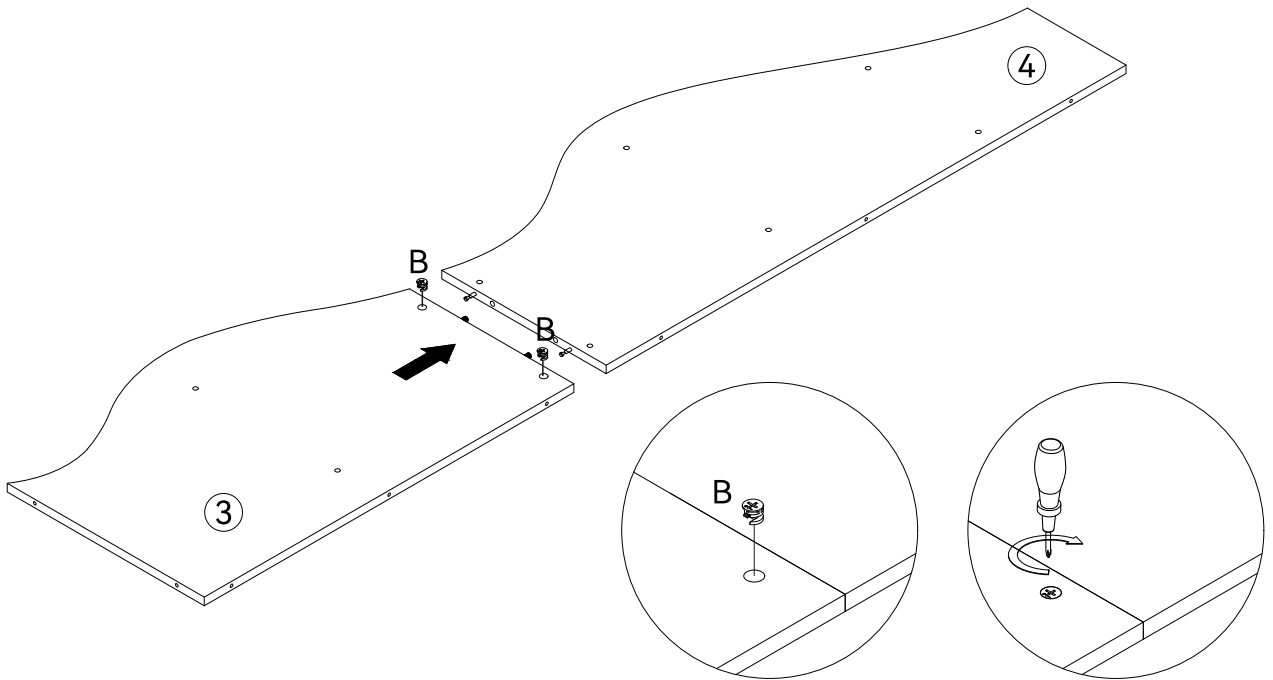
A
2 pcs

5



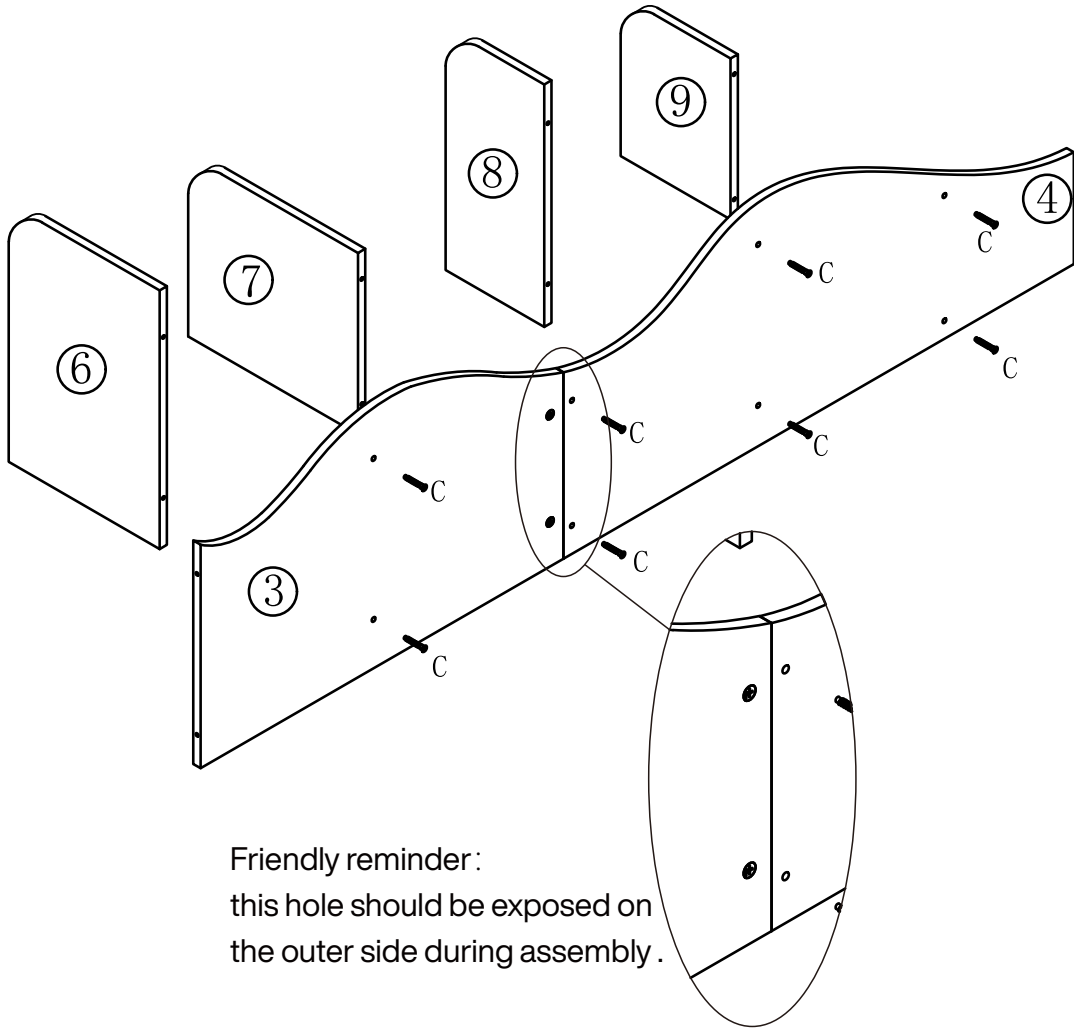
B
2 pcs

6



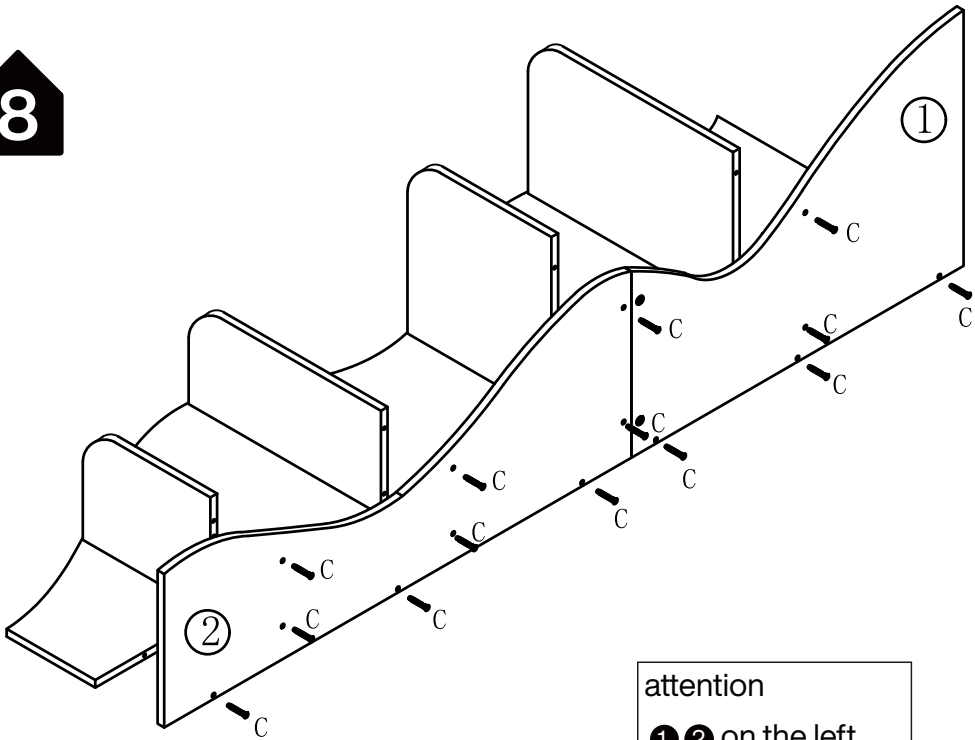
B
2 pcs

7



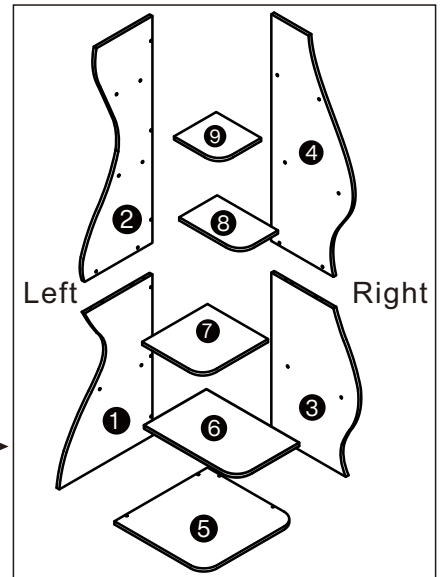
C
8 pcs

8

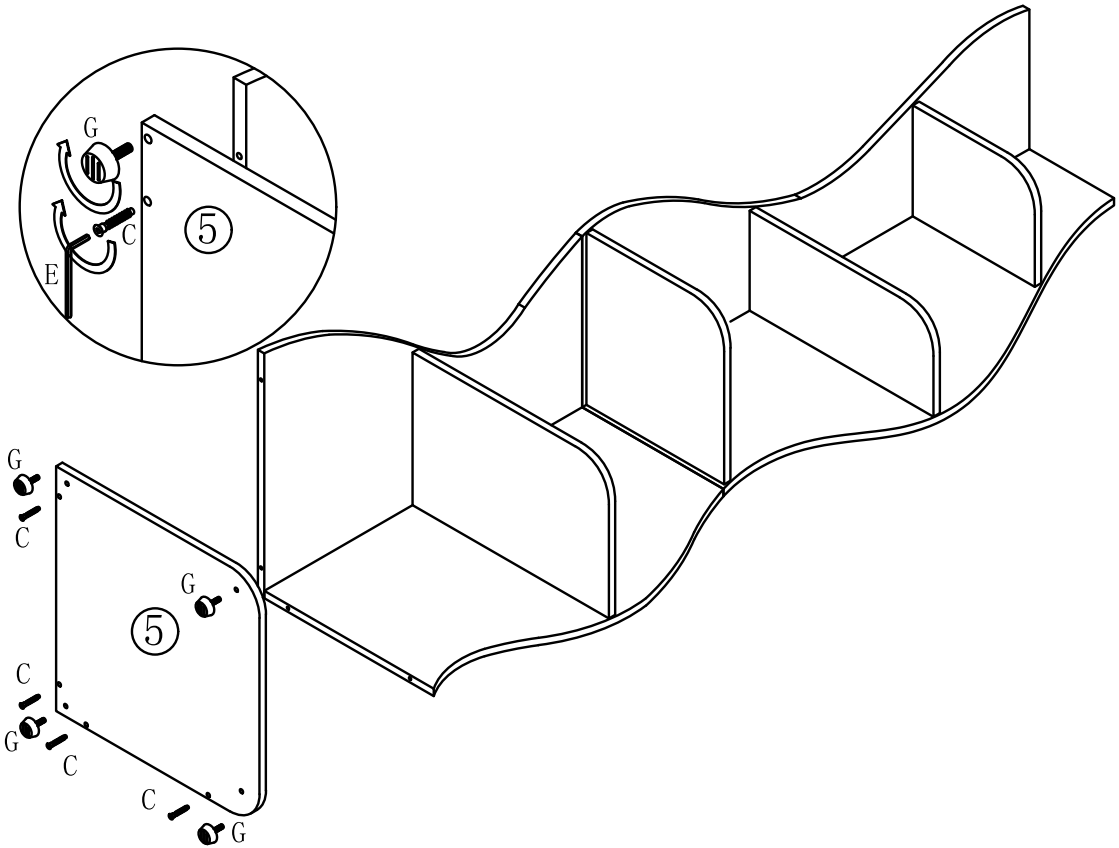


C
14 pcs

attention
① ② on the left,
③ ④ on the right.



9

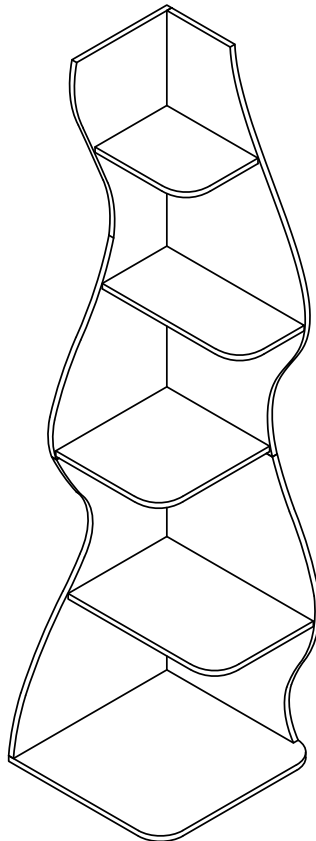


C
4 pcs



G
4 pcs

10



11



Plastic anchor
M4x30

x2



M4x30

x2



M4x14

x2

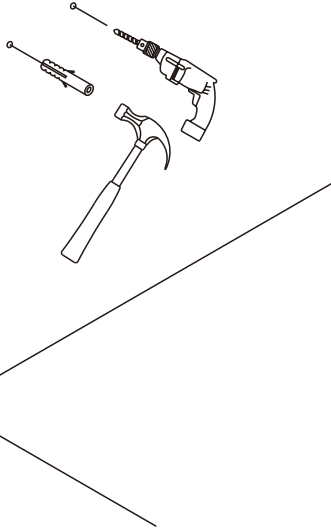


x4

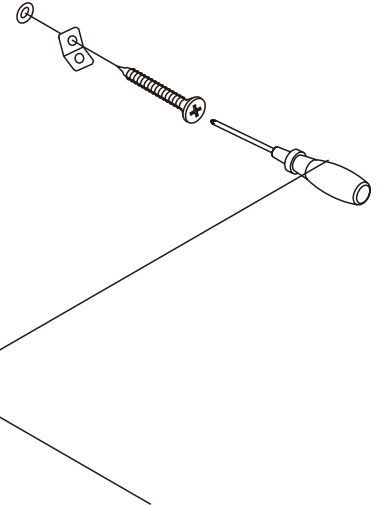


x2

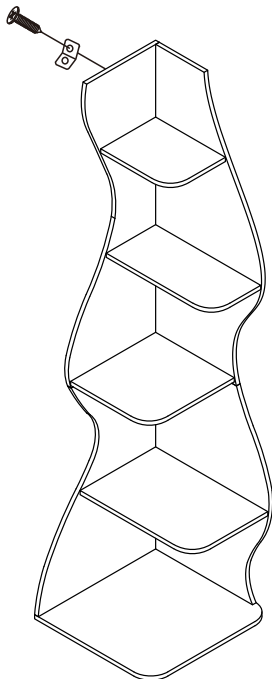
Step 1



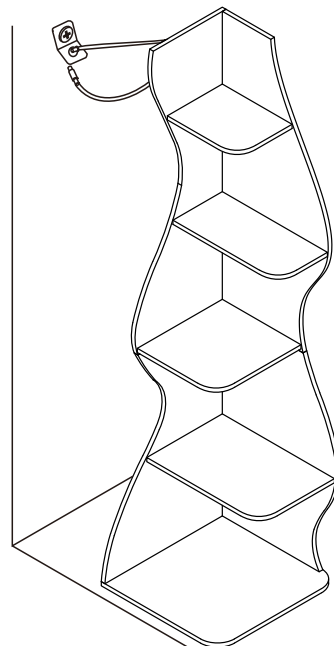
Step 2



Step 3



Step 4



Thank you for your support!

