

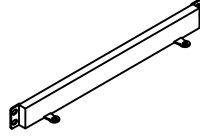
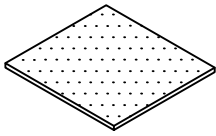
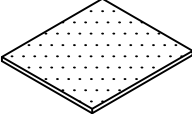
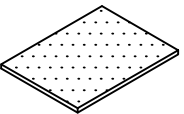
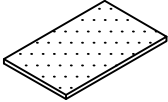


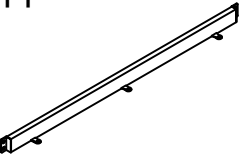
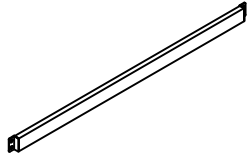
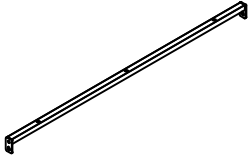
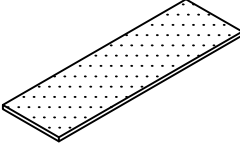
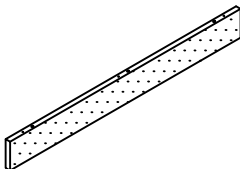
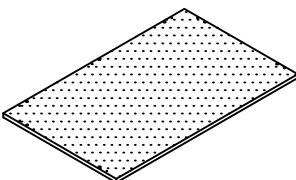
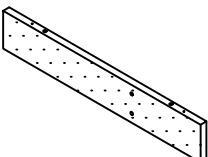
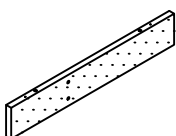
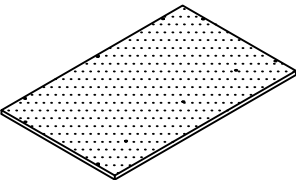
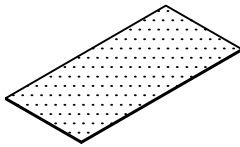
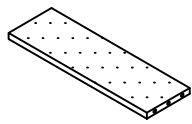
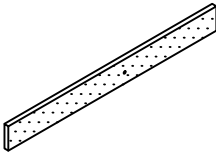
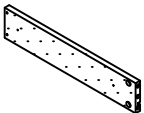
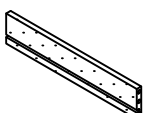
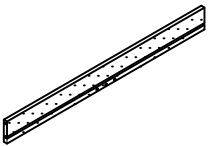
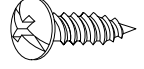
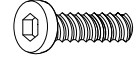
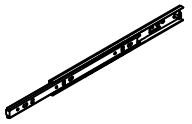


ASSEMBLY INSTRUCTION

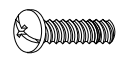
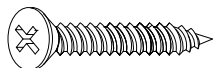
3PC PACK LADDER OFFICE SET: BOOKCASE & 1-DRAWER BOX DESK

A Bookcase Frame - LSF  2pcs	B Bookcase Frame - RSF  2pcs	C Bookcase Cross Bar  8pcs	D Bookcase Board - Bottom  2pcs
E Bookcase Shelf Board - Lower  2pcs	F Bookcase Shelf Board - Upper  2pcs	G Bookcase Shelf Board - Top  2pcs	H Desk Frame - LSF  1pc
I Desk Frame - RSF  1pc	J Desk Cross Bar - Upper  2pcs	K Desk Cross Bar - Bottom  1pc	L Drawer Cross Bar  1pc
M Desk Shelf Board  2pcs	N Desk Back Panel  1pc	O Desk Top Panel  1pc	P Desk Left Panel  1pc
Q Desk Right Panel  1pc	R Desk Bottom Panel  1pc	S Drawer Bottom Panel  1pc	T Drawer Support Panel  1pc
U Drawer Front Panel  1pc	V Drawer Side Panel- LFS  1pc	W Drawer Side Panel- RFS  1pc	X Drawer Back Panel  1pc

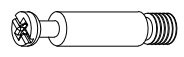
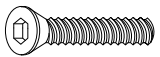
Y Slide Rail	Z Handle	AA Bolt Ø1/4"x1/2"	AB Screw M4x15mm
---------------------	-----------------	------------------------------	----------------------------



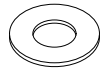
AC Screw M4x38mm	AD Screw M4x25mm	AE Screw M4x10mm	AF Bolt M4x19mm
----------------------------	----------------------------	----------------------------	---------------------------



AG Bolt Ø1/4"x1"	AH Bolt	AI Nut	AJ Wood Dowel ø8
----------------------------	----------------	---------------	----------------------------



AK Wood Dowel ø6	AL Flat Washer Ø16mm	AM Flat Washer Ø12mm	AN Allen Key M4
----------------------------	--------------------------------	--------------------------------	---------------------------



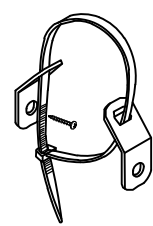
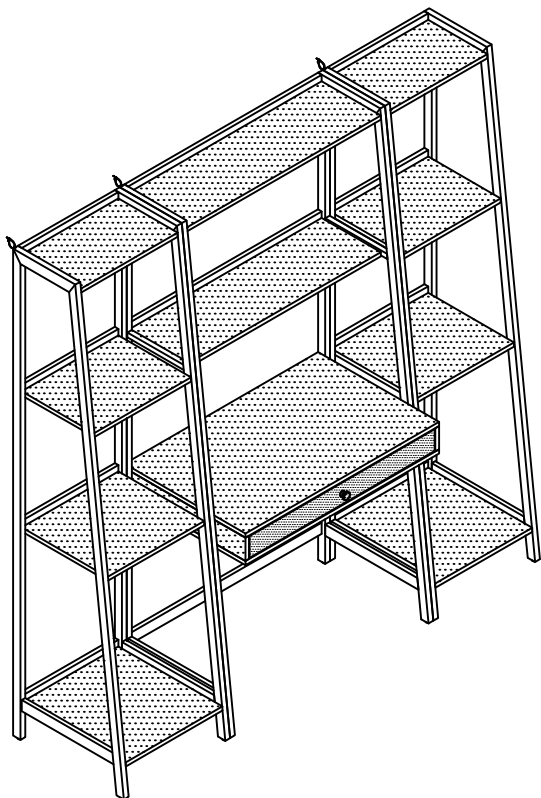
AO Anti-Tipping Kit	AP Screwdriver (Not Provided)
----------------------------	---

4pcs

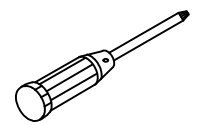
54pcs

43pcs

1pc



3sets

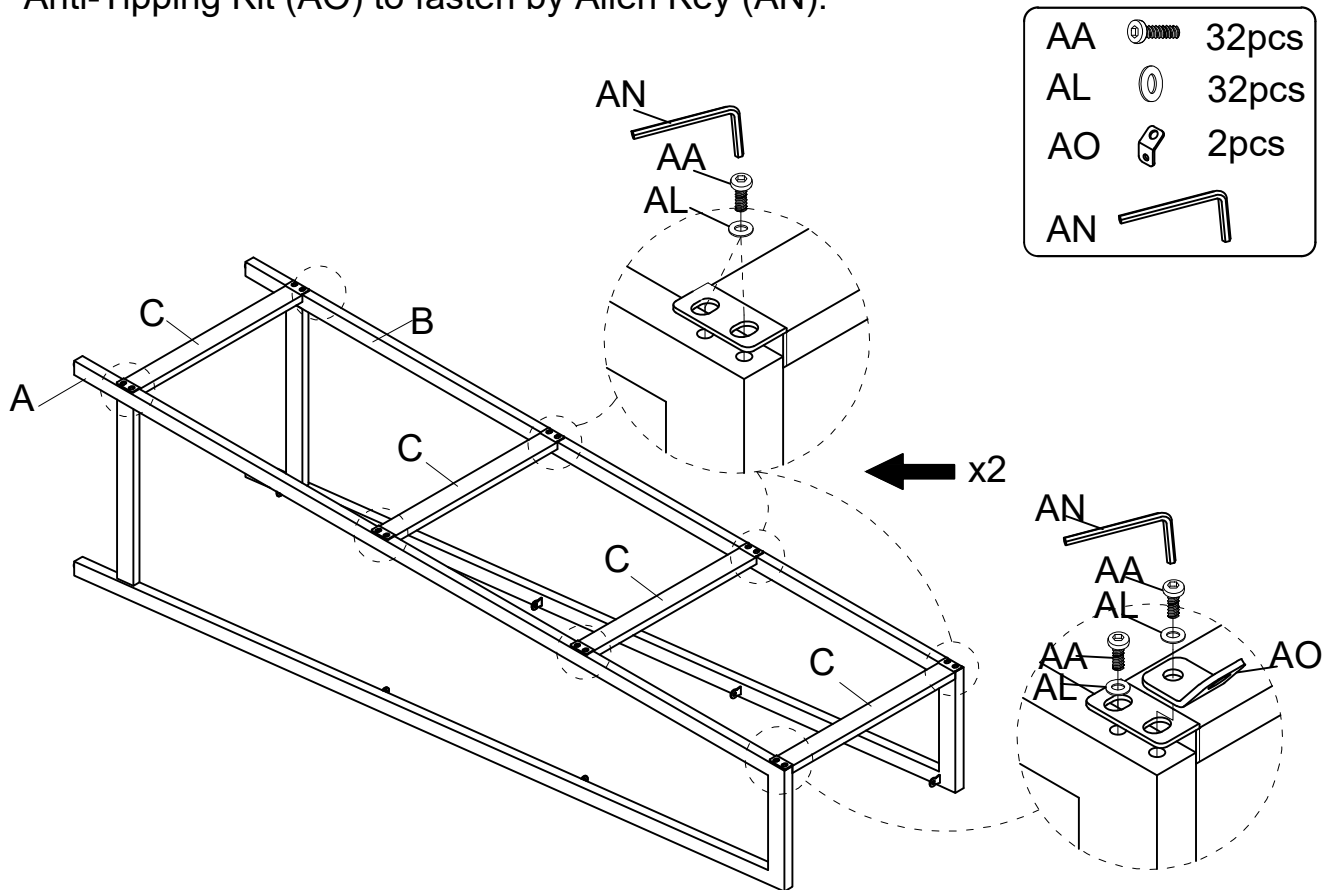


1pc

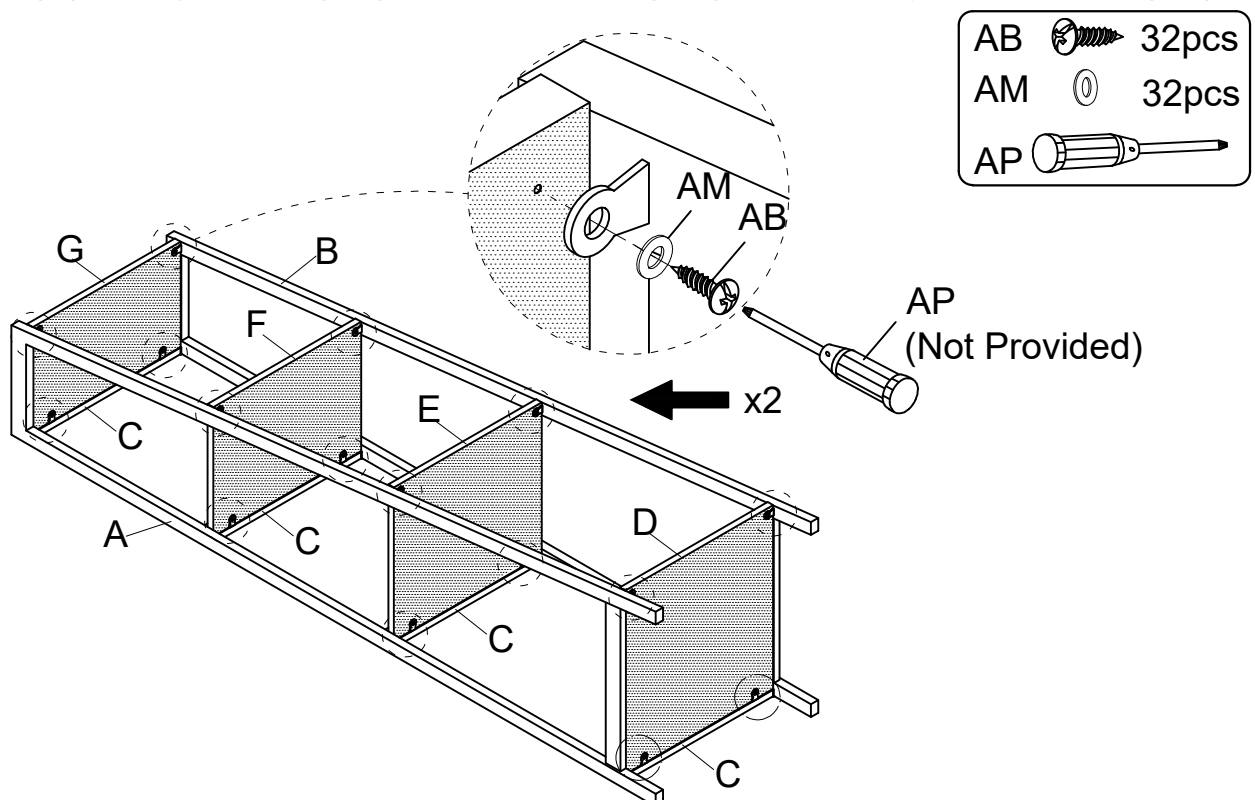
The first & second pages list all the contents included in the box. Please take the time to identify the hardware as well as the individual components to this product. As you unpack and prepare for assembly, place the contents on a carpeted or padded area to protect them from damage.

BOOKCASE

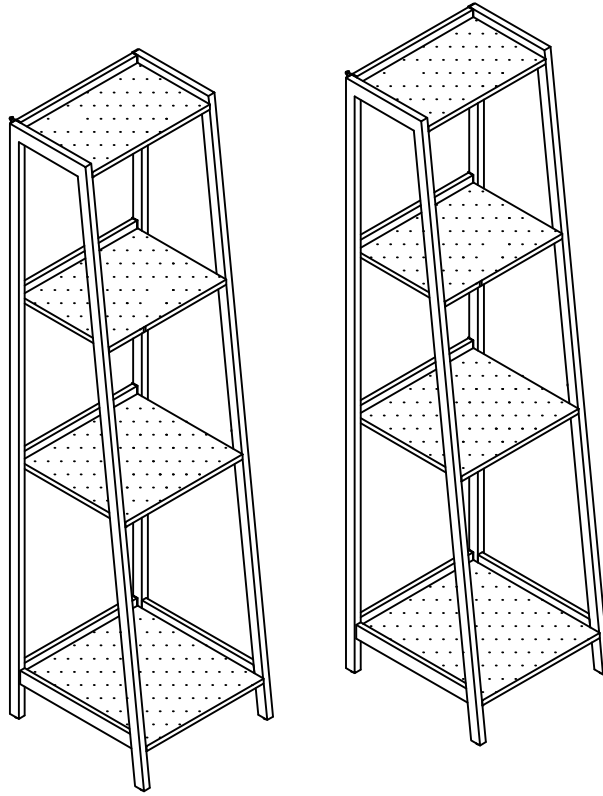
1 Assemble Bookcase Cross Bar (C) to Bookcase Frame - LSF (A) & Bookcase Frame - RSF (B), using Bolt (AA), Flat Washer (AL) and the iron sheet of Anti-Tipping Kit (AO) to fasten by Allen Key (AN).



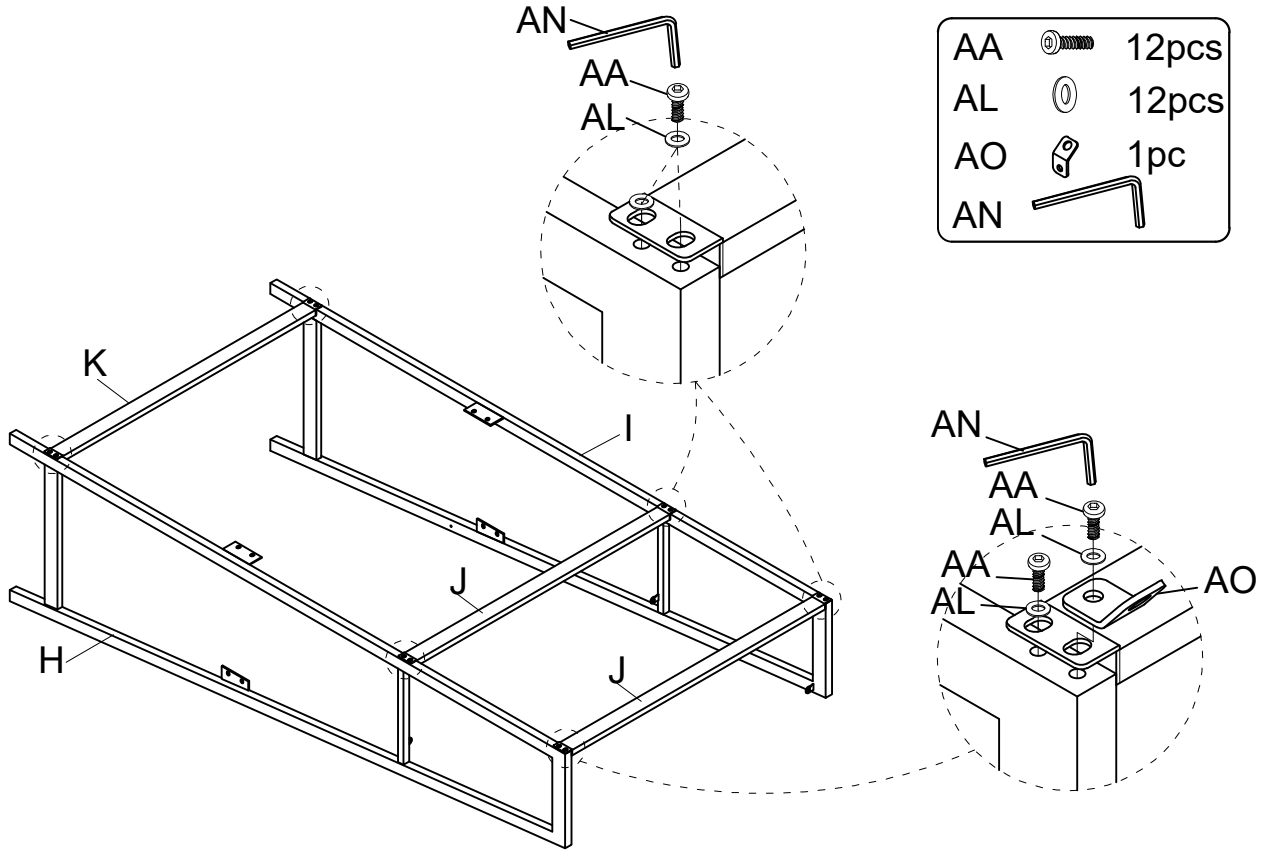
2 Assemble Bookcase Shelf Board - Bottom (D), Bookcase Shelf Board - Lower (E), Bookcase Shelf Board - Upper (F), Bookcase Shelf Board - Top (G) to Bookcase Frame - LSF (A), Bookcase Frame - RSF (B) and Bookcase Cross Bar (C), using Screw (AB) & Flat Washer (AM) to fasten by Screwdriver (AP).



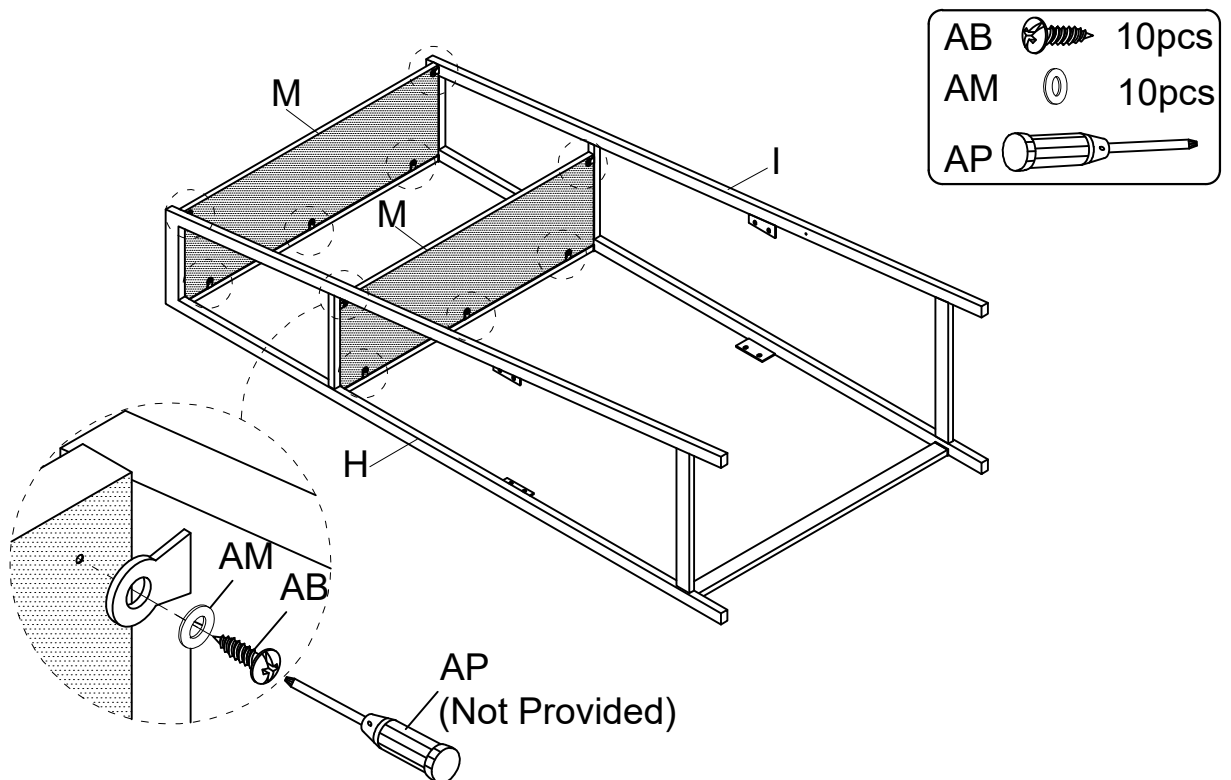
3 Adjust any parts out of alignment and tighten all bolts and screws from steps 1 through 2.



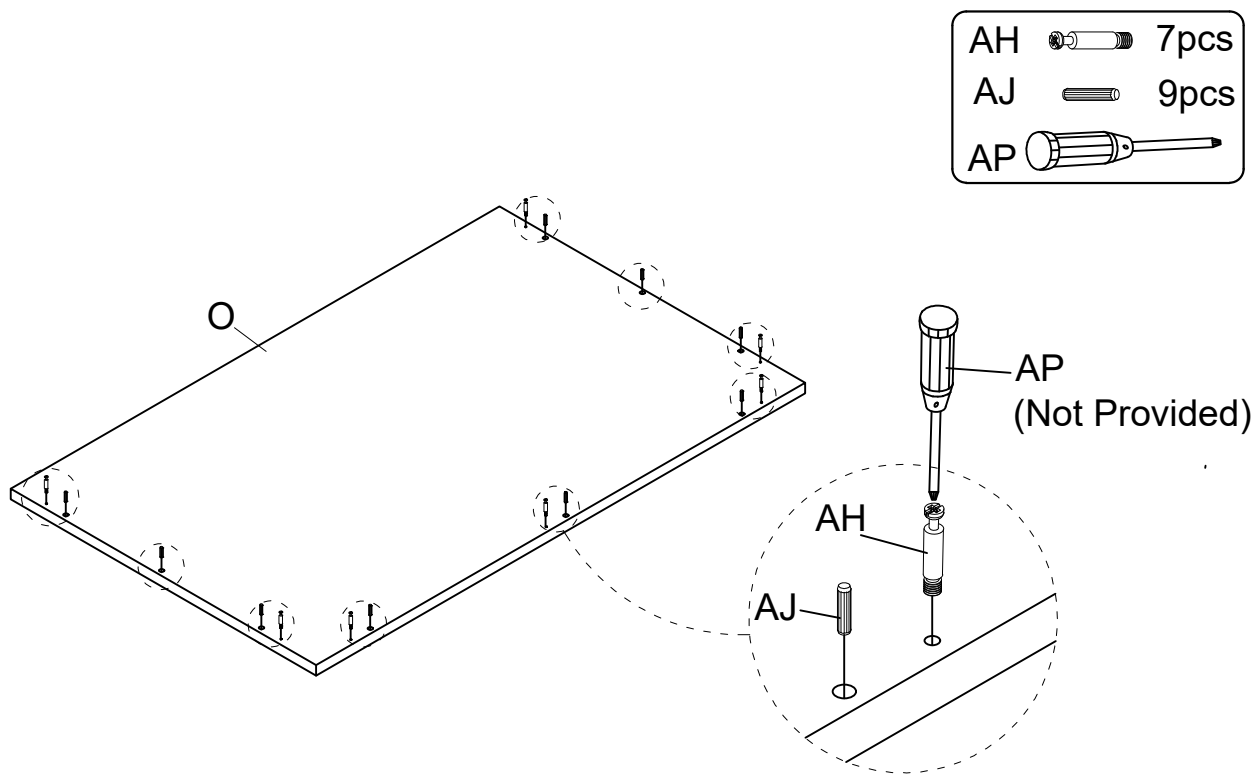
4 Assemble Desk Cross Bar - Upper (J) & Desk Cross Bar - Bottom (K) to Desk Frame - LSF (H) & Desk Frame - RSF (I), using Bolt (AA), Flat Washer (AL) & the iron sheet of Anti-Tipping Kit (AO) to fasten by Allen Key (AN).



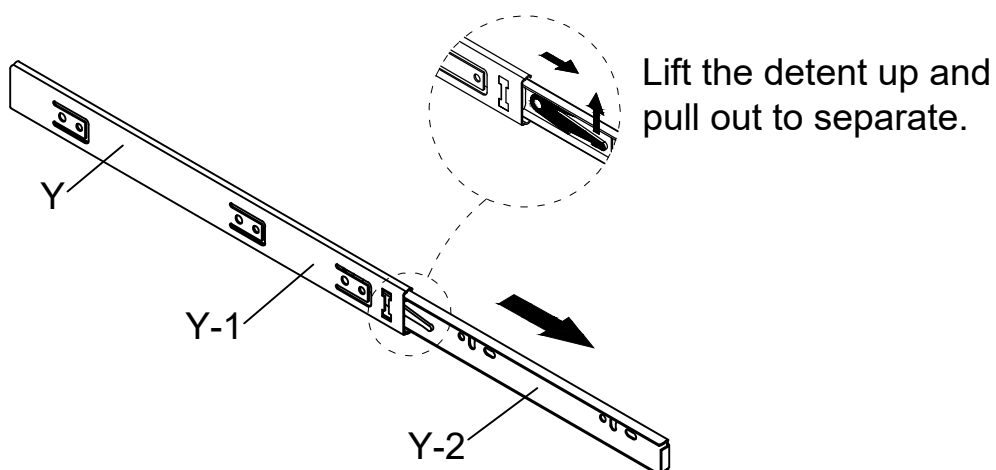
5 Assemble Desk Shelf Board (M) to Desk Frame - LSF (H) and Desk Frame - RSF (I), using Screw (AB) & Flat Washer (AM) to fasten by Screwdriver (AP).



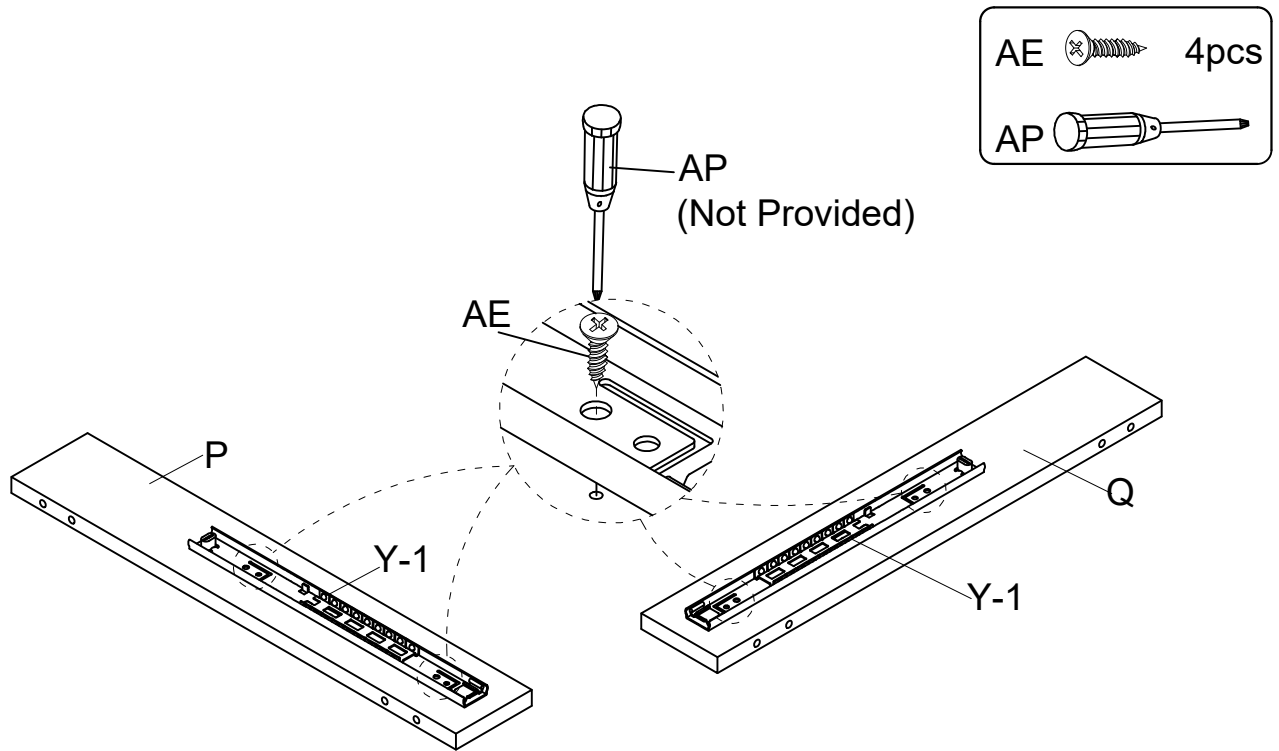
6 Assemble Bolt (AH) & Wood Dowel (AJ) to Desk Top Panel (O) to fasten by Screwdriver (AP).



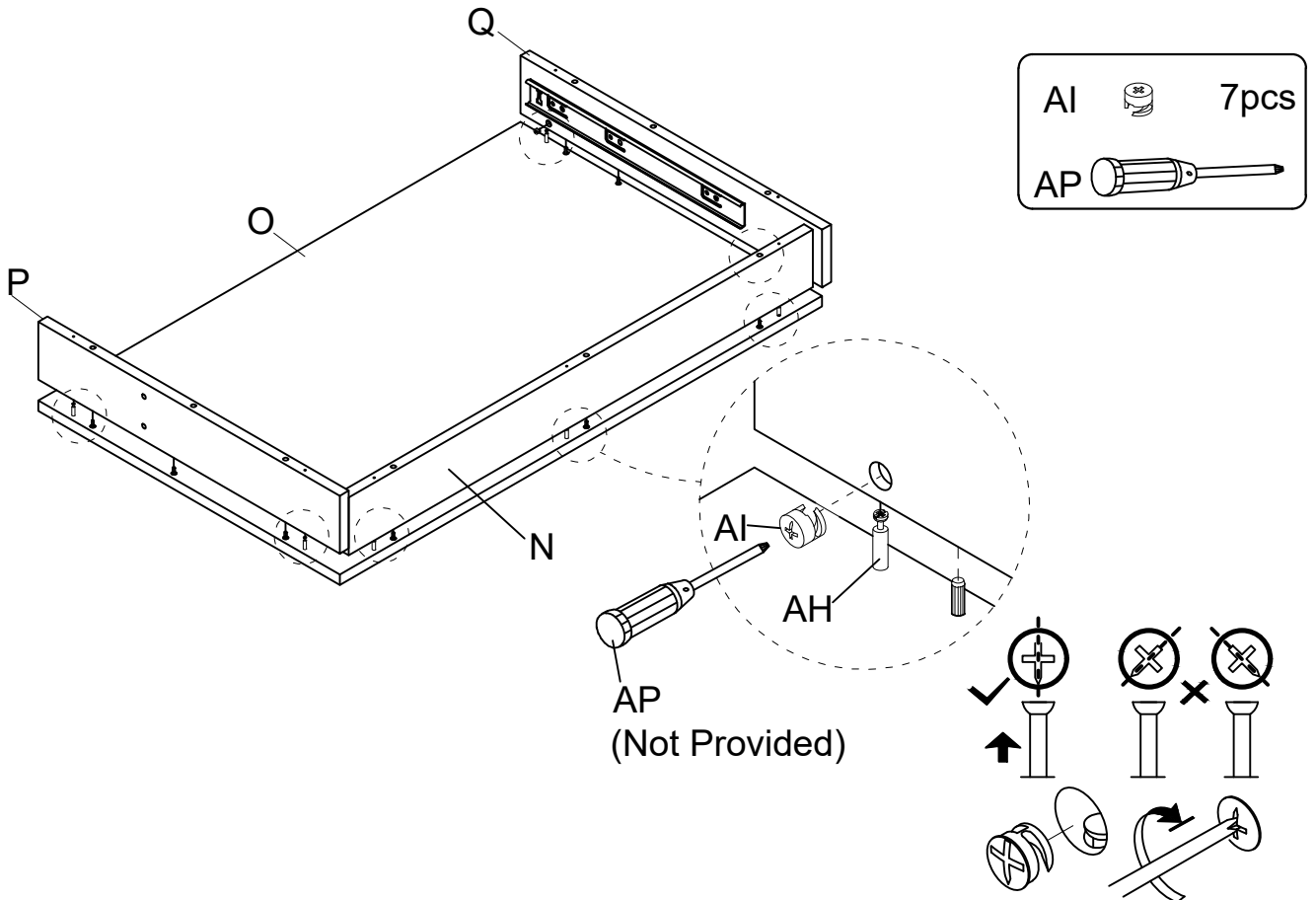
7 Pull out Slide Rail (Y) fully extended, a hold-in detent can be seen or touched on slide runners.



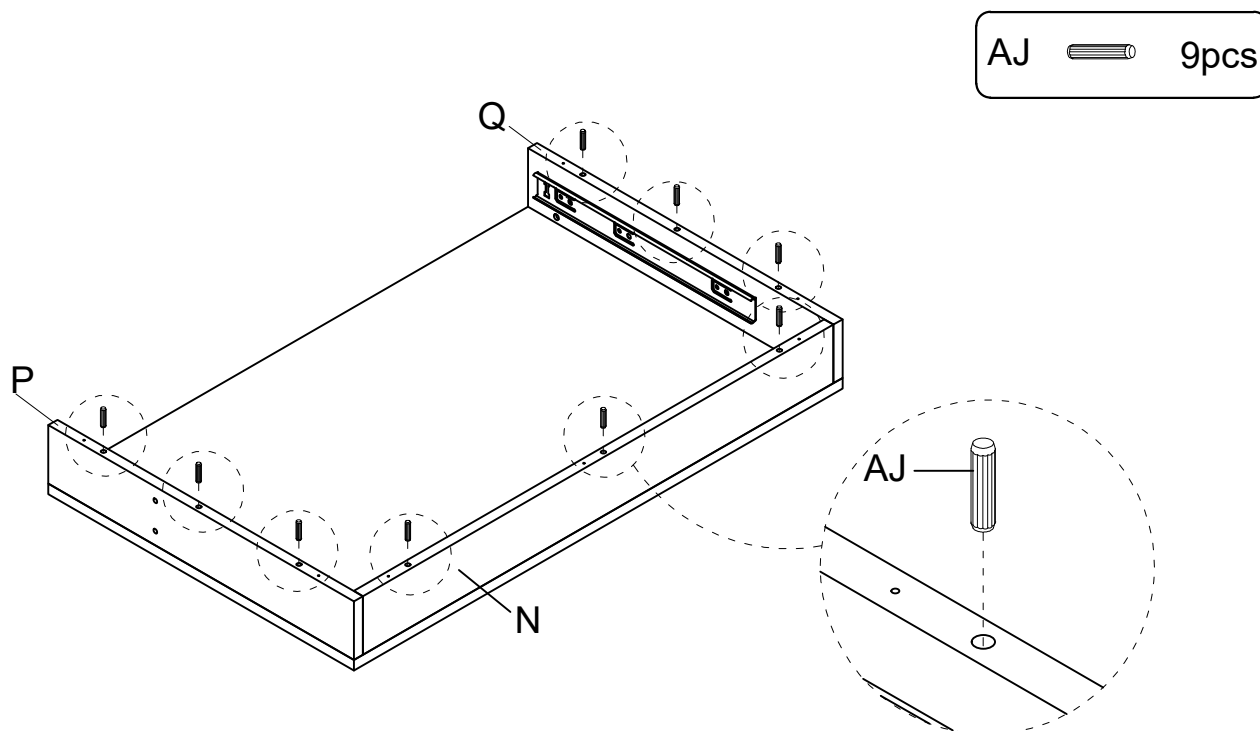
8 Assemble part one of Slide Rail (Y) to Desk Left Panel (P) & Desk Right Panel (Q), using Screw (AE) by Screwdriver (AP).



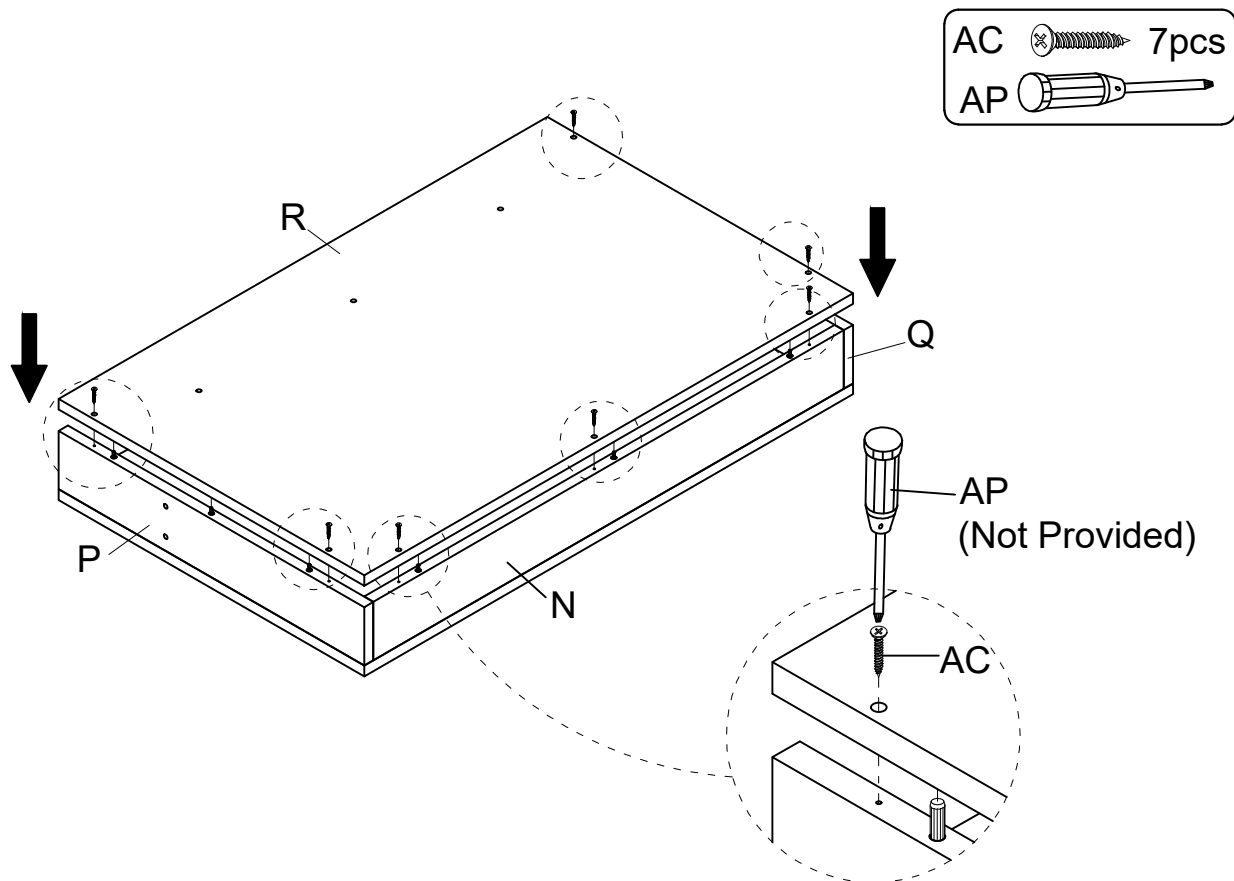
9 Assemble Desk Left Panel (P), Desk Right Panel (Q) and Desk Back Panel (N) to Desk Top Panel (O), using Nut (AI) to lock with Bolt (AH) by Screwdriver (AP).



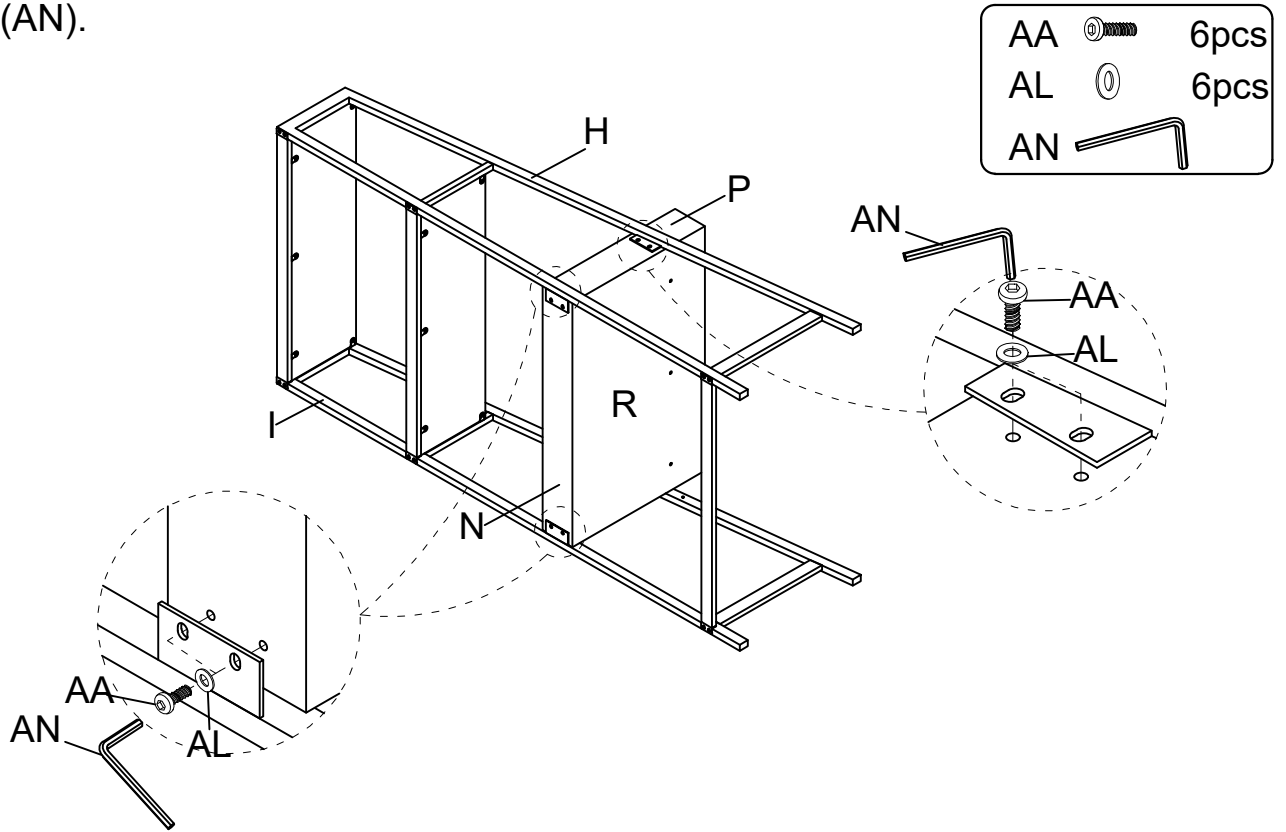
10 Assemble Wood Dowel (AJ) to Desk Left Panel (P), Desk Right Panel (Q) and Desk Back Panel (N) as below shown.



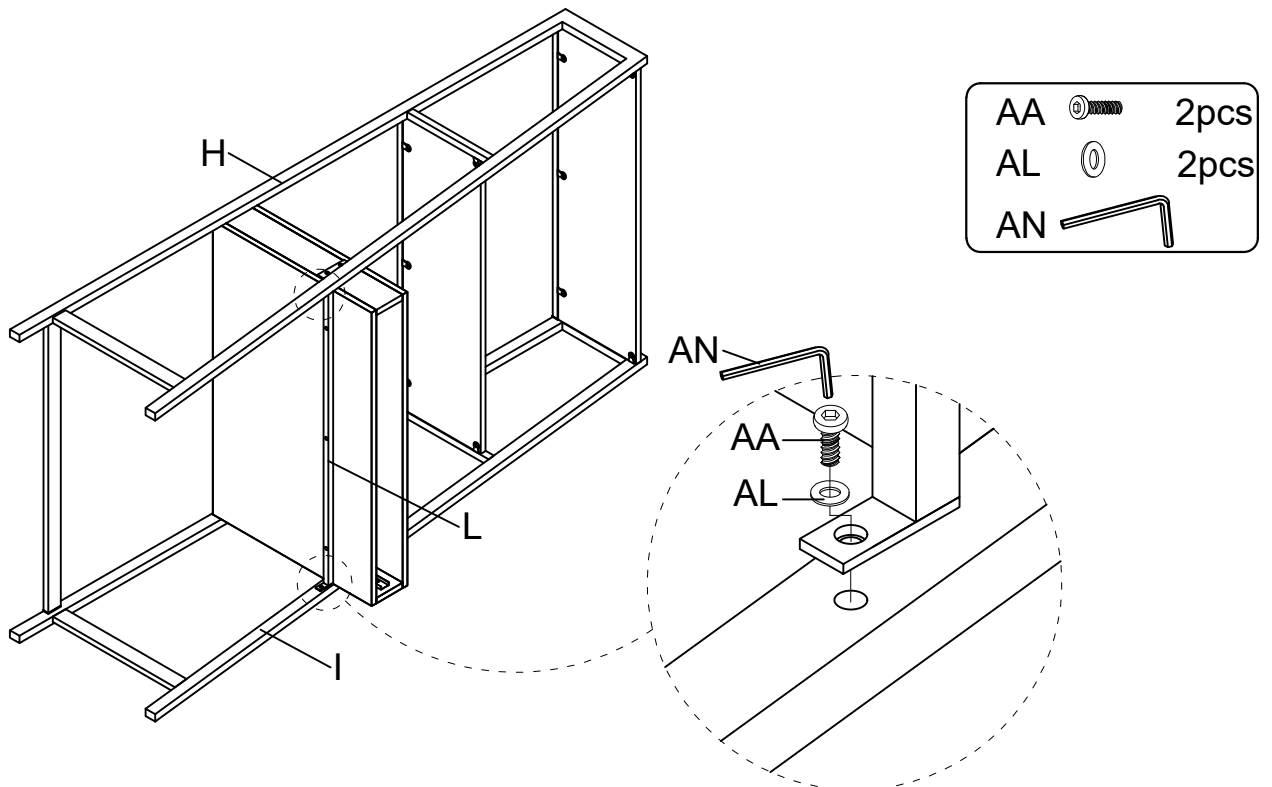
11 Assemble Desk Bottom Panel (R) to Desk Back Panel (N), Desk Left Panel (P) and Desk Right Panel (Q), using Screw (AC) by Screwdriver (AP).



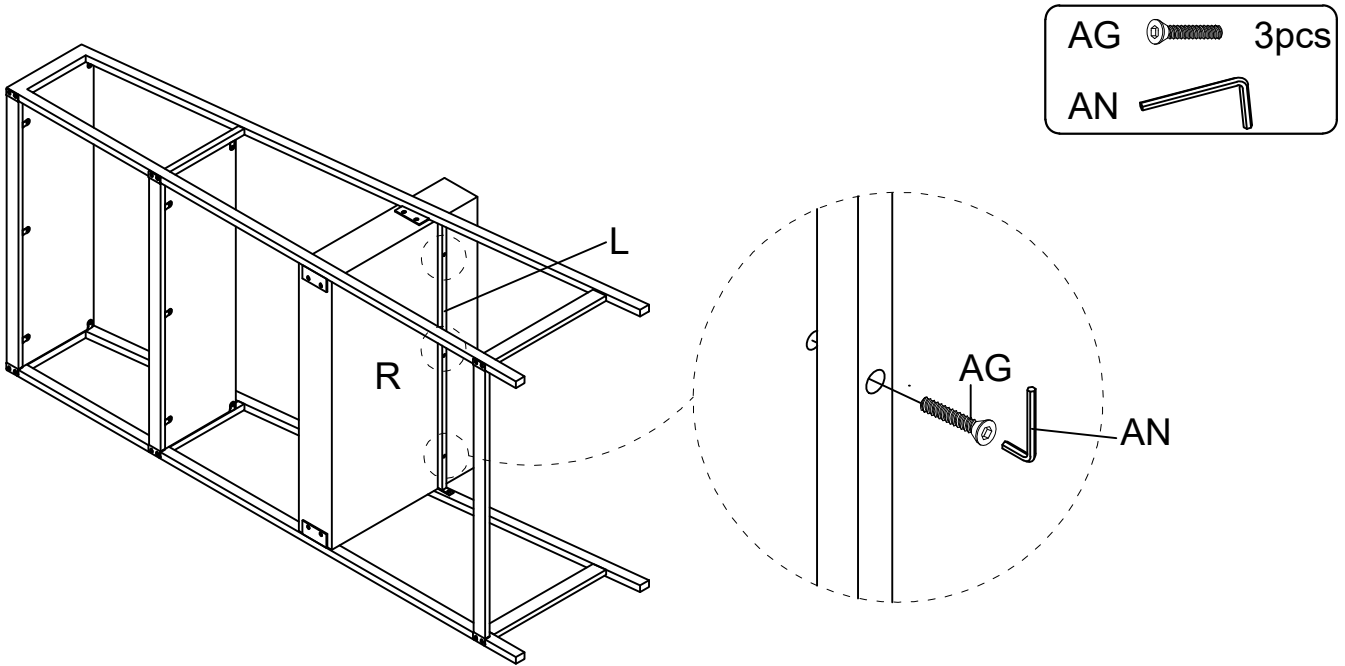
12 Assemble the pre-assembled Desk Back Panel (N), Desk Left Panel (P) and Desk Bottom Panel (R) to pre-assembled Desk Shelf Frame - LSF (H) and Desk Shelf - RSF (I), using Bolt (AA) & Flat Washer (AL) to fasten by Allen Key (AN).



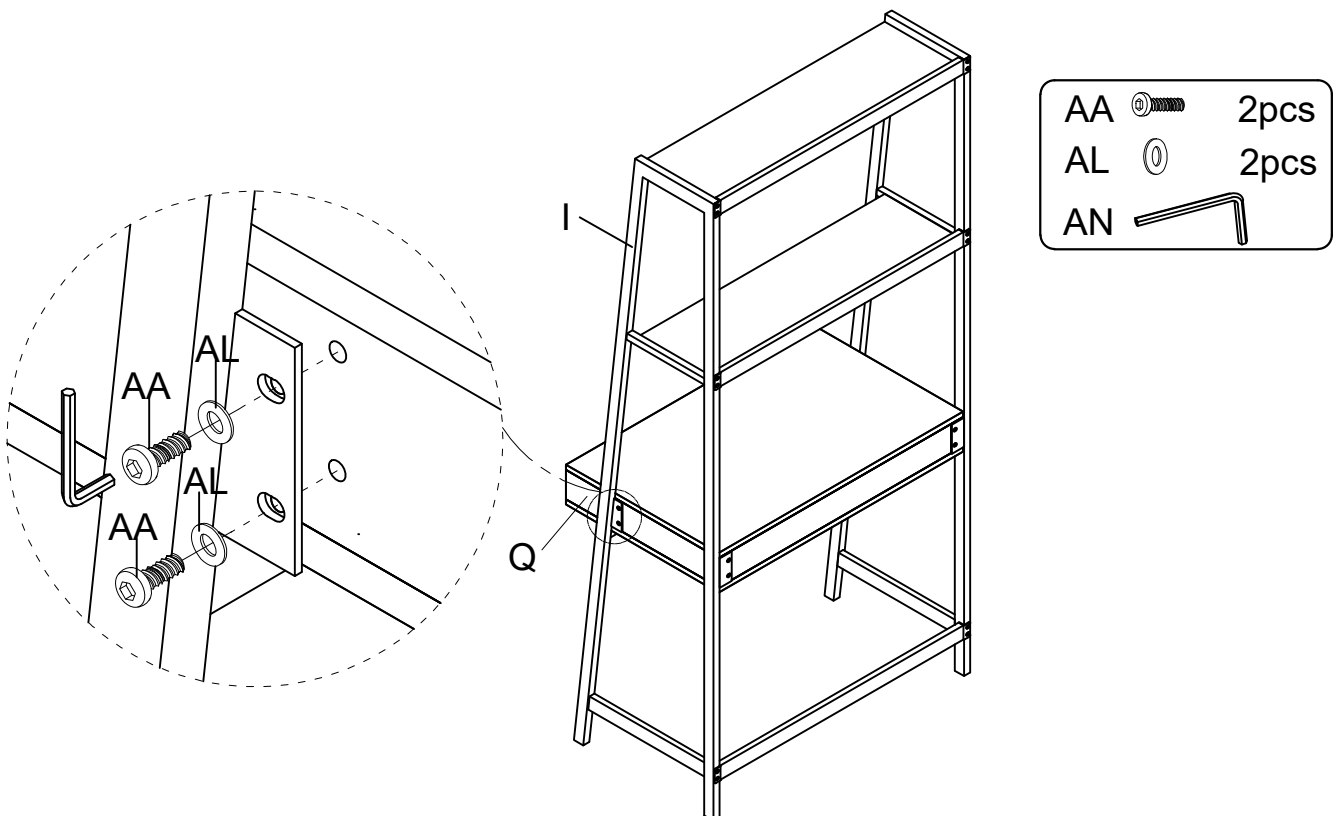
13 Assemble Drawer Cross Bar (L) to Desk Frame - LSF (H) and Desk Frame - RSF (I), using Bolt (AA) & Flat Washer (AL) to fasten by Allen Key (AN).



14 Assemble Drawer Cross Bar (L) with Desk Bottom Panel (R), using Bolt (AG) & Flat Washer (AL) to fasten by Allen Key (AN).

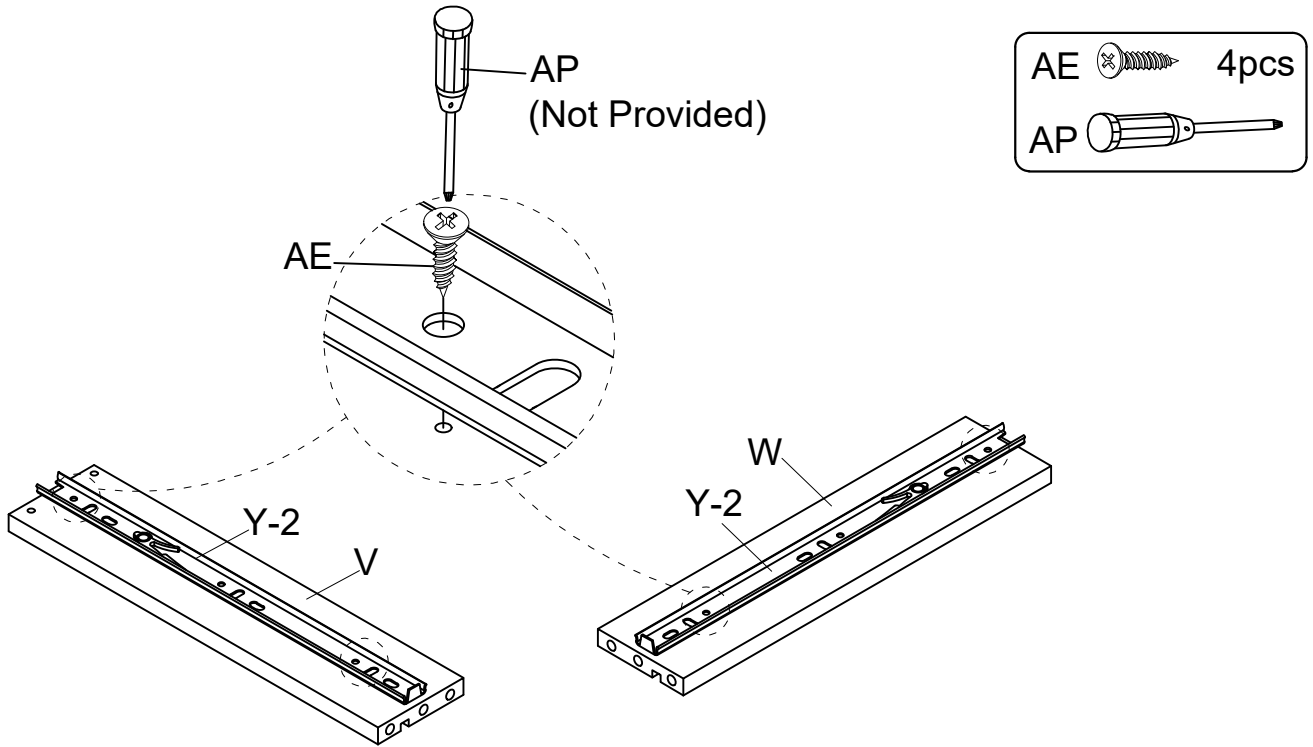


15 Assemble Desk Right Panel (Q) to Desk Shelf - RSF (I), using Bolt (AA) & Flat Washer (AL) to fasten by Allen Key (AN).

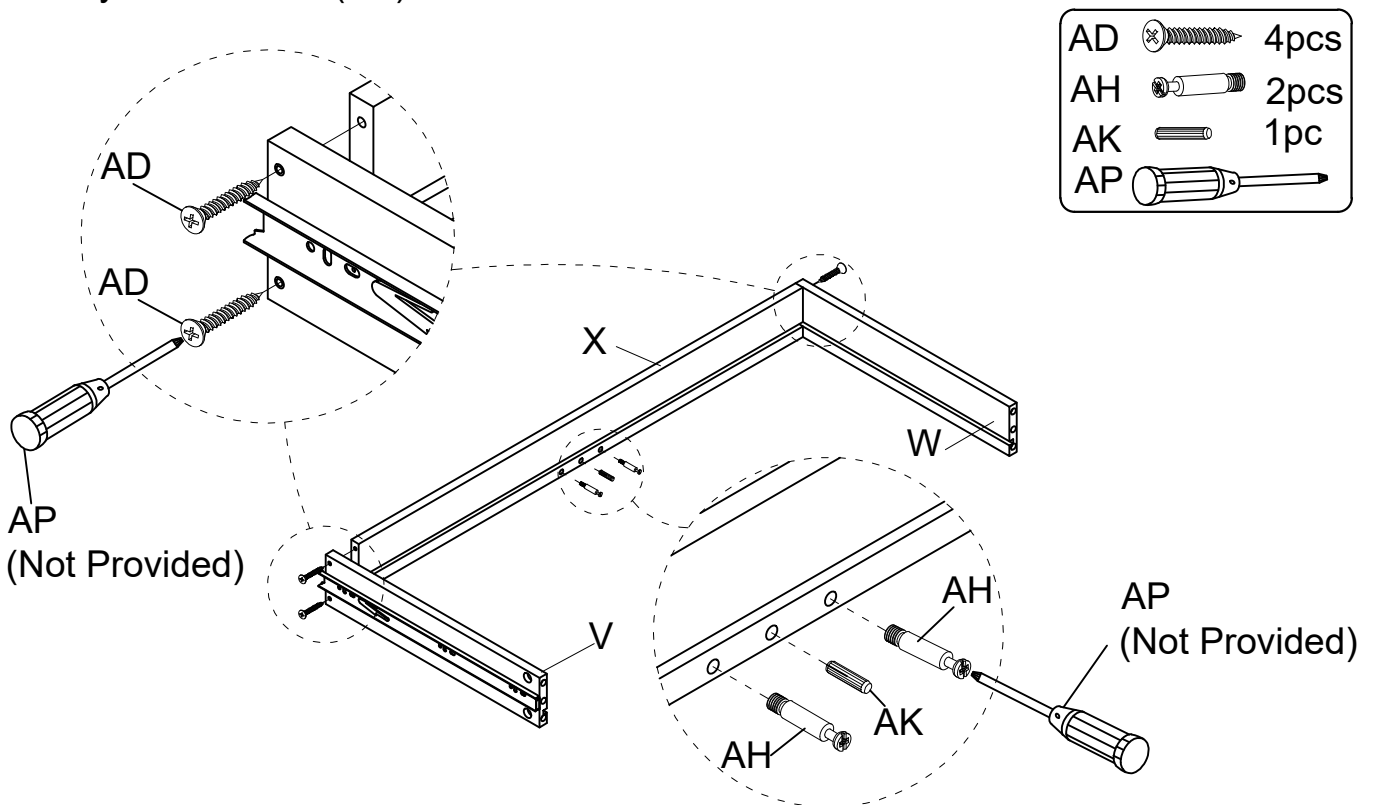


16

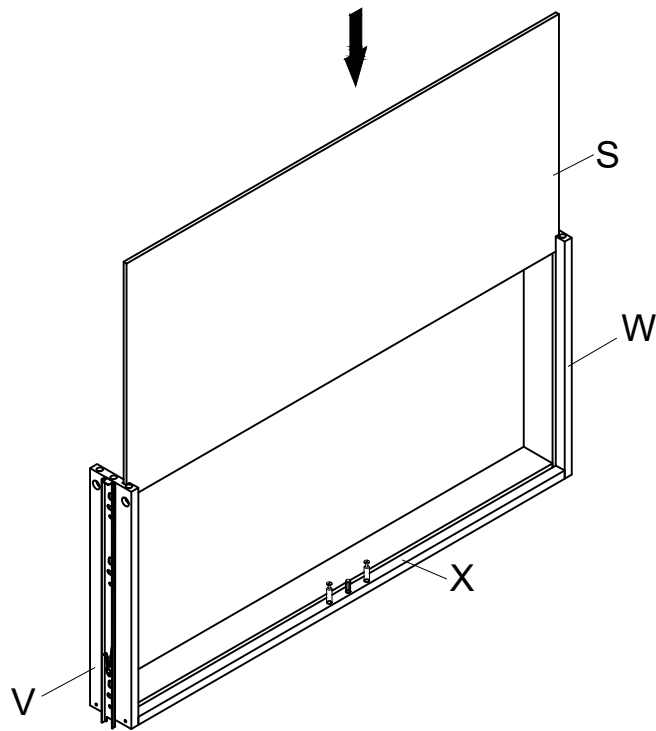
Assemble part 2 of Slide Rail (Y) to Drawer Side Panel - LSF (V) & Drawer Side Panel - RSF (W), using Screw (AE) to fasten by Screwdriver (AP).

**17**

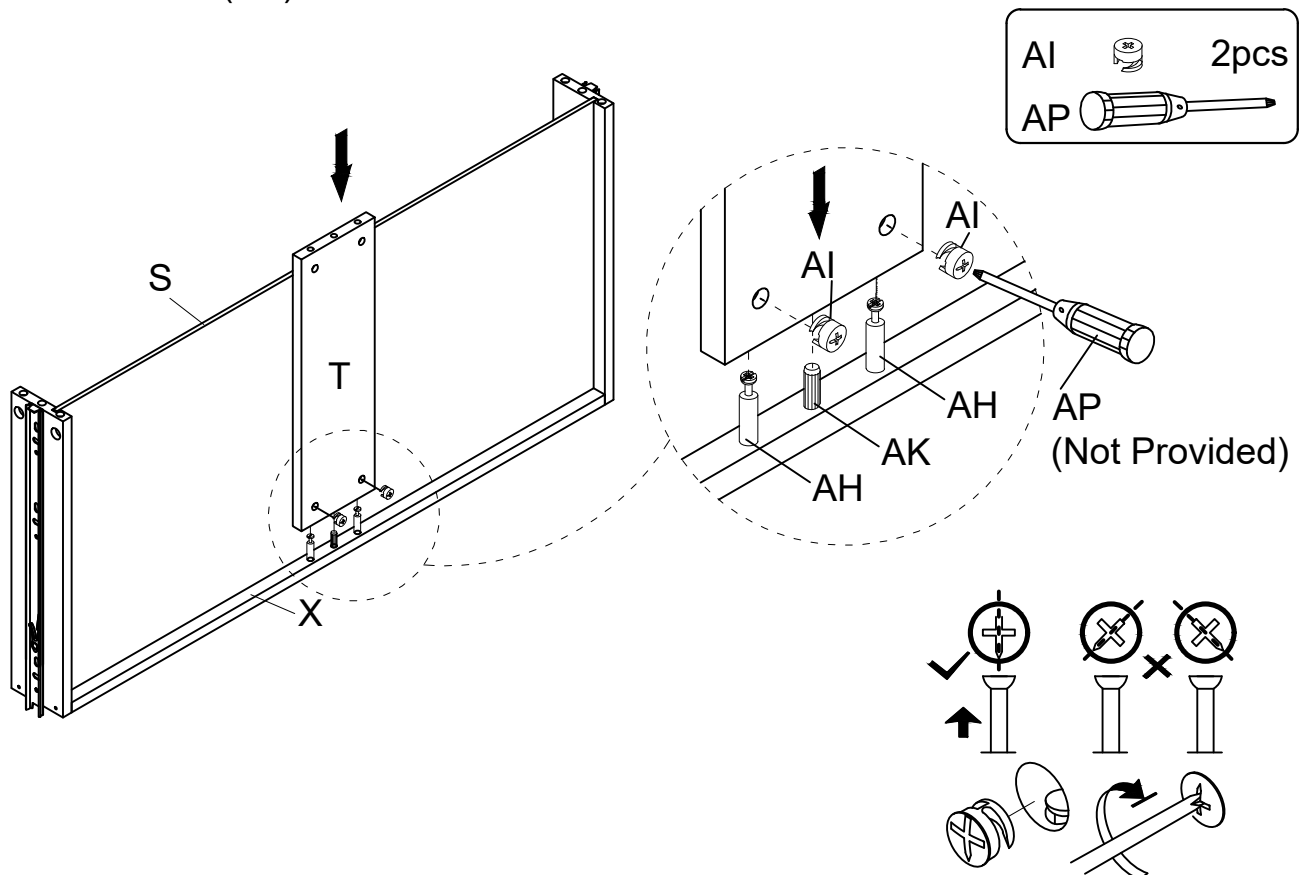
Assemble Drawer Back Panel (X) to Drawer Side Panel - LSF (V) and Drawer Side Panel - RSF (W), using Screw (AD), Wood Dowel and Bolt (AH) to fasten by Screwdriver (AP).



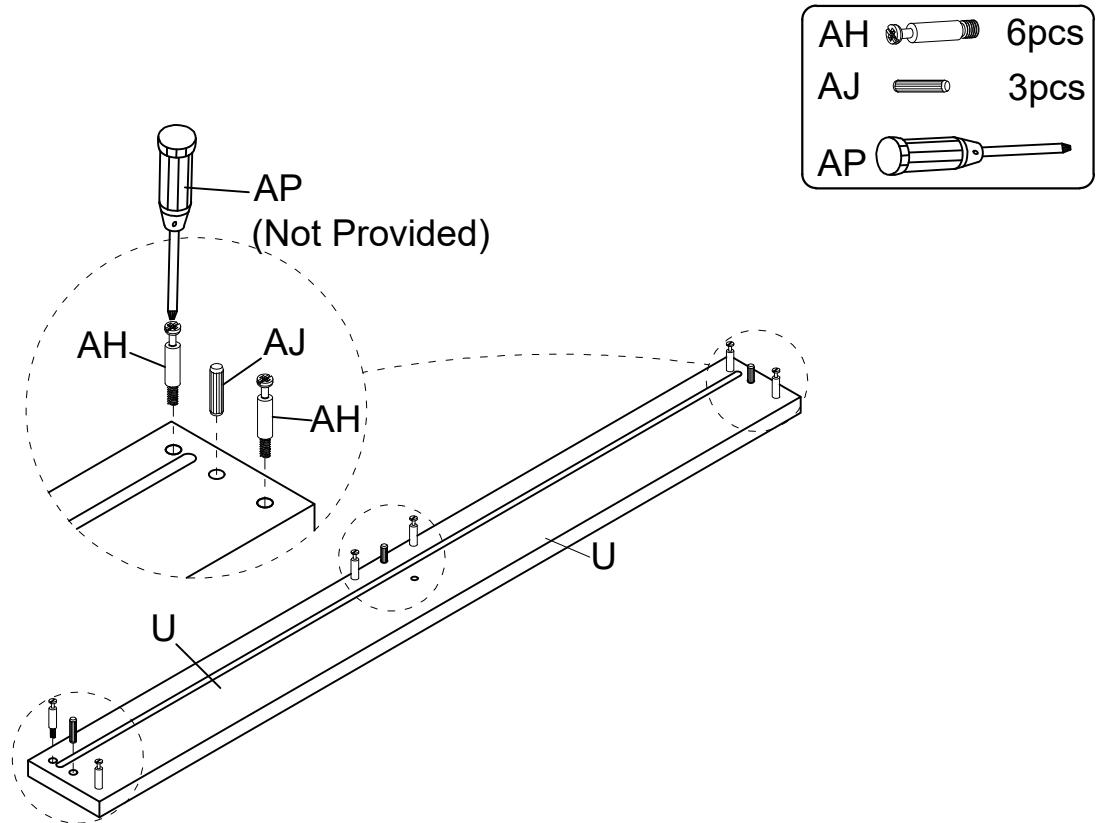
18 Put Drawer Bottom Panel (S) into Drawer Side Panel - LSF (V), Drawer Side Panel - RSF (W) and Drawer Back Panel (X) as below shown.



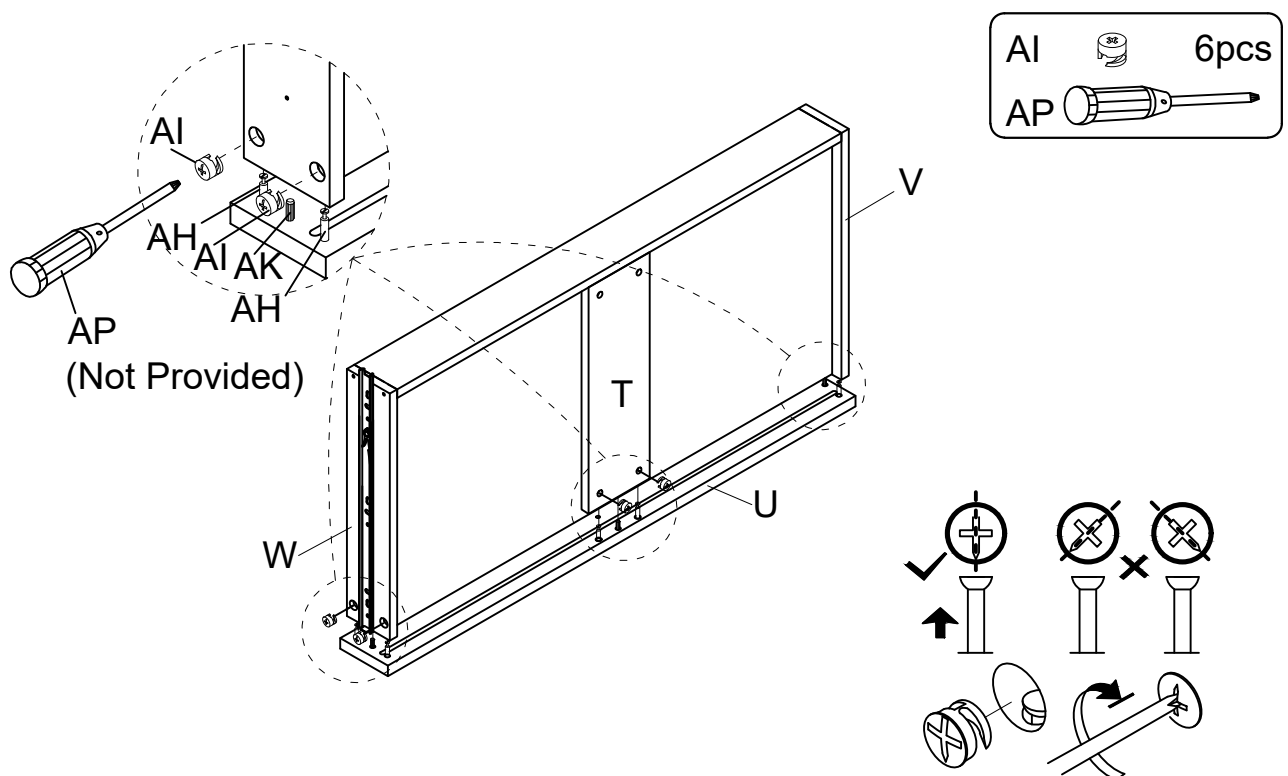
19 Assemble Drawer Support Panel (T) to Drawer Bottom Panel (S) and Drawer Back Panel (X), using Wood Dowel (AK), Nut (AI) to lock with Bolt (AH) by Screwdriver (AP) as below shown.



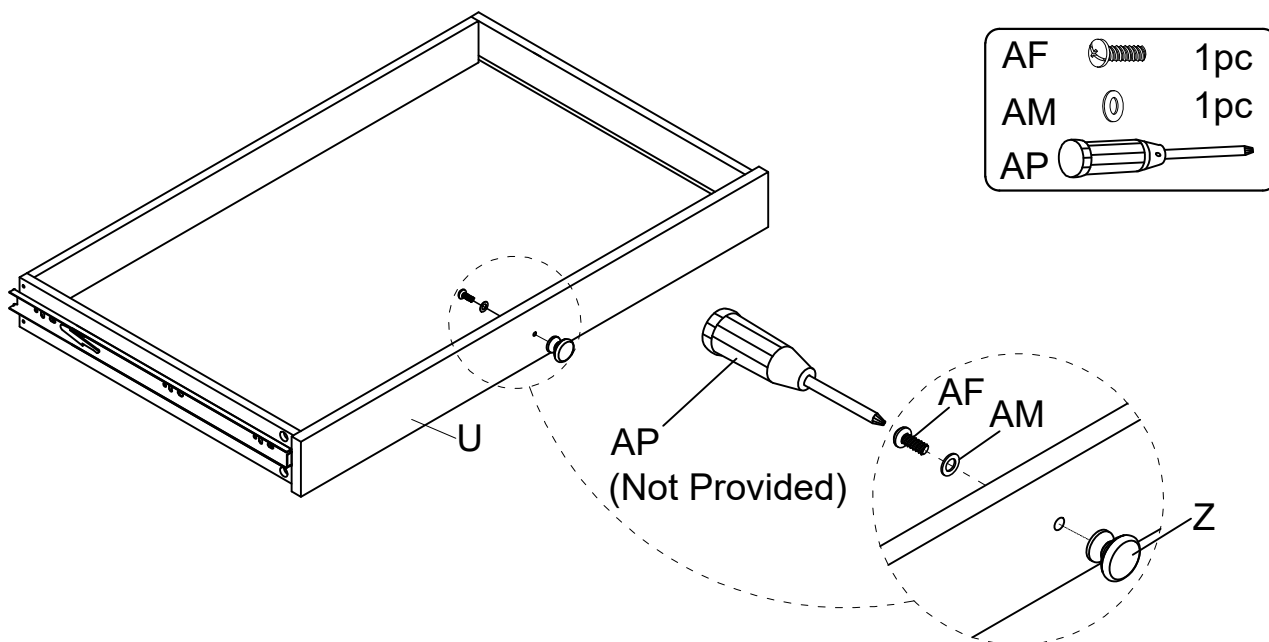
20 Assemble Bolt (AH) & Wood Dowel (AK) to Drawer Front Panel (U) and fasten by Screwdriver (AP) as below shown.



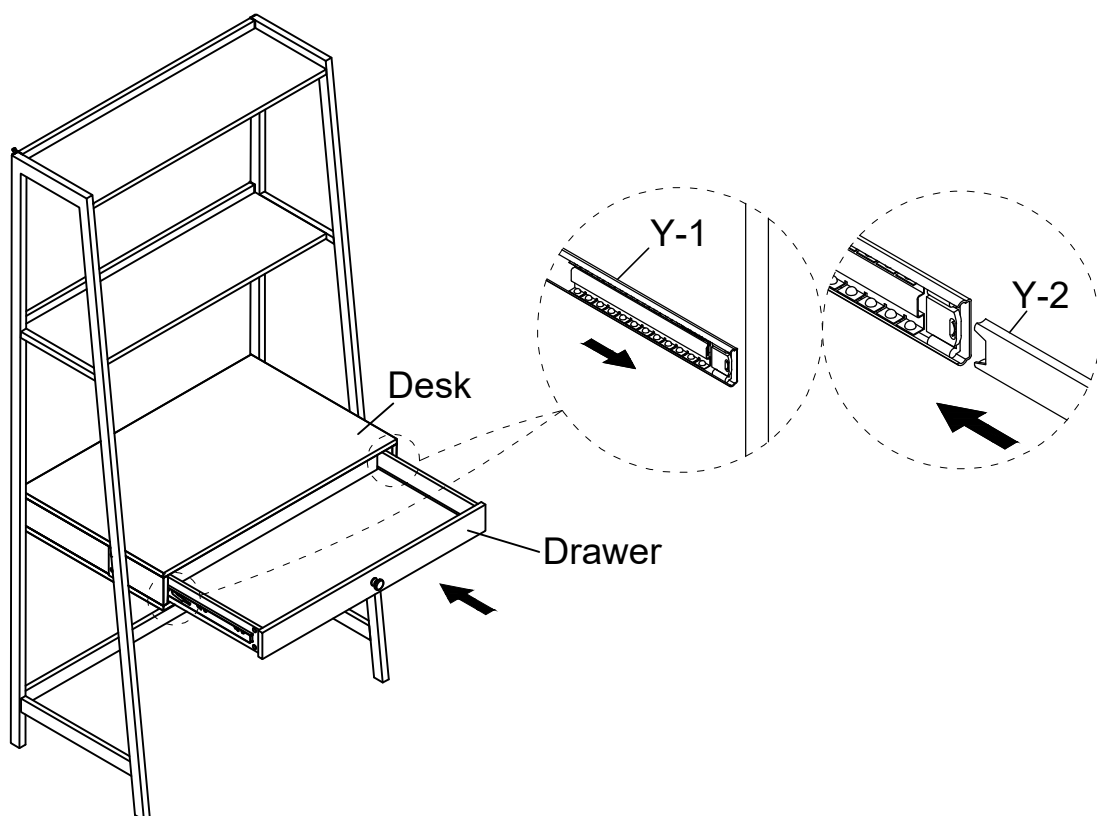
21 Assemble Drawer Support Panel (T), Drawer Side Panel - LSF (V) and Drawer Side Panel - RSF (W) to Drawer Front Panel (U), using Wood Dowel (AK), Nut (AI) to lock with Bolt (AH) by Screwdriver (AP) as below shown.




22 Assemble Handle (Z) to Drawer Front Panel (U), using Bolt (AF) & Flat Washer (AM) to fasten by Screwdriver (AP).

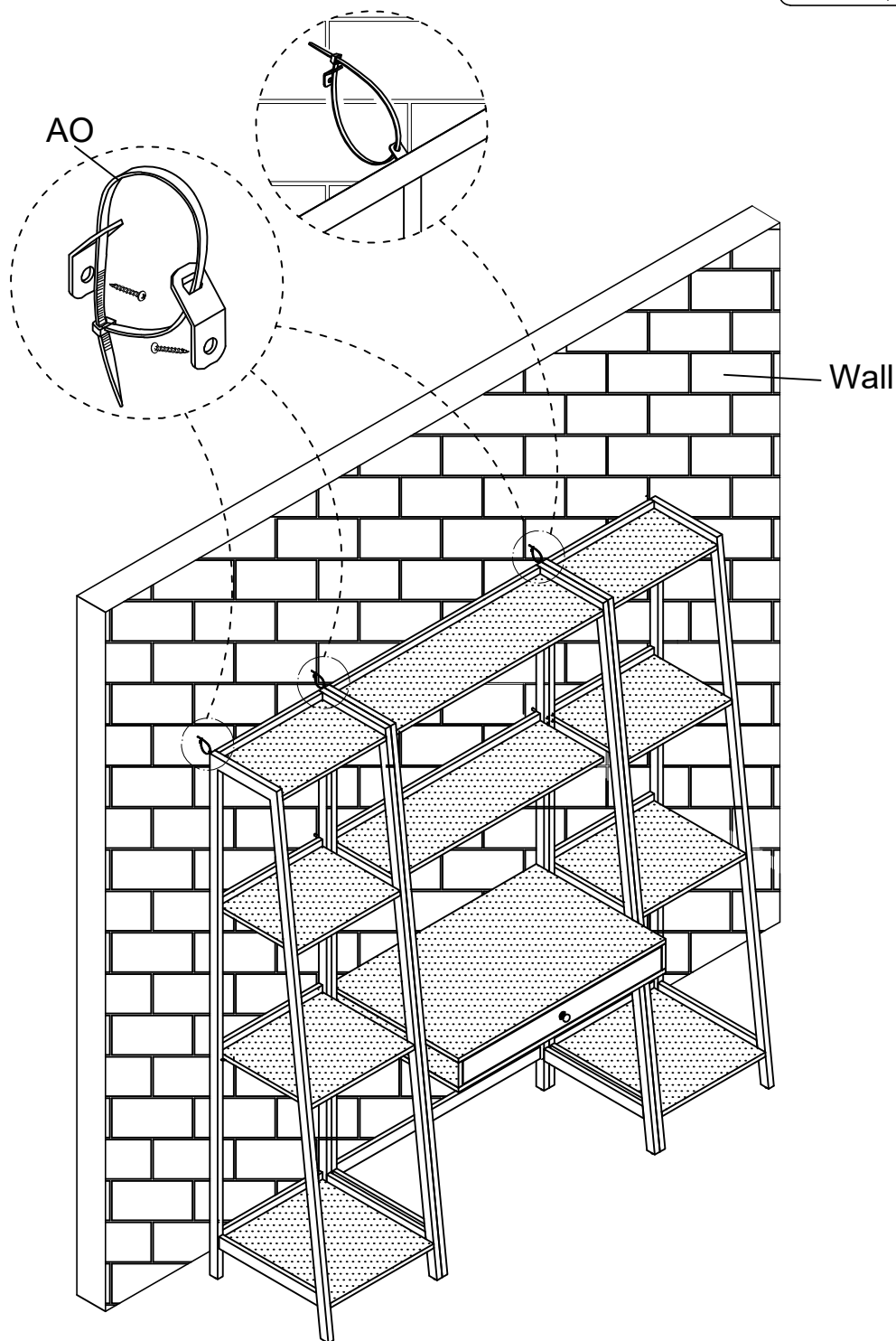


23 Assemble the pre-assembled Drawer into the pre-assembled Desk by using Slide Rail (Y). Move slide ball spacers to front, hold drawer horizontally, and slide runners into ball spacers as below shown.



24 Remark: there is a tip restraint kit provided on the back of this product. Please read the instruction thoroughly and install immediately when placed in home. To prevent tip over, the product must be attached to wall.

AO  3sets



Cleaning & Care

Treat surface with care. Surface is resistant to scratches but is not scratch resistant. Clean surfaces with a dry or damp soft cloth. Do not use abrasive cleaners. Hardware may loosen over time. Periodically check that all connections are tight.