

CHESHIRE

INSTALLATION INSTRUCTIONS

STAINLESS STEEL TOPMOUNT KITCHEN SINK

HCH-T2522 | HCH-T5050 | HCH-T3322

IMPORTANT INFORMATION

- Read these instructions carefully before you begin this installation.
- Observe all applicable local plumbing and building codes.
- CHESHIRE recommends all sinks are installed by experienced and professional installers. To ensure safety and damage-free installation, this sink should be installed by two people. CHESHIRE reserves the right to revise the design of products without notice.

BEFORE YOU BEGIN

- CHESHIRE recommends that all top mount sinks be installed by an experienced, professional installer.
- **IMPORTANT:** The cabinet must be installed, secured, plumb, and level. Failure of this step can lead to product damage.
- CHESHIRE top mount sinks should only be fastened to a solid surface countertop (i.e. granite, Corian® or Silestone®).
- CHESHIRE is not responsible for sink or countertop if damaged during installation. Be sure to inspect the sink for damage prior to beginning installation.
- Metal edges may be sharp – use caution when handling. Follow all local plumbing and building codes.



CAUTION:

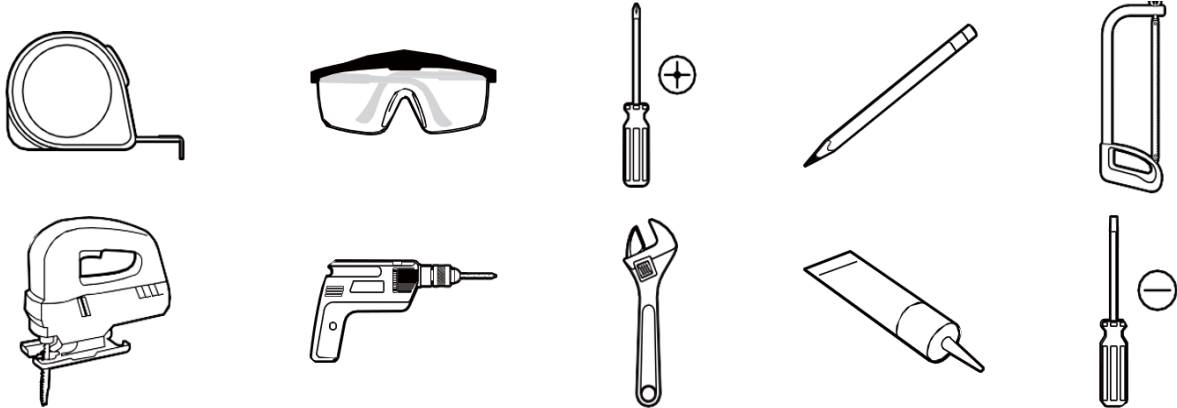
Risk of personal injury or product damage. Handle with care. Product can break, chip, cause injury or product damage.

WARNING:

This product can expose you to chemicals, including lead, which is known to the state of California to cause cancer and birth defects or other reproductive harm.

For more information go to p65warnings.ca.gov

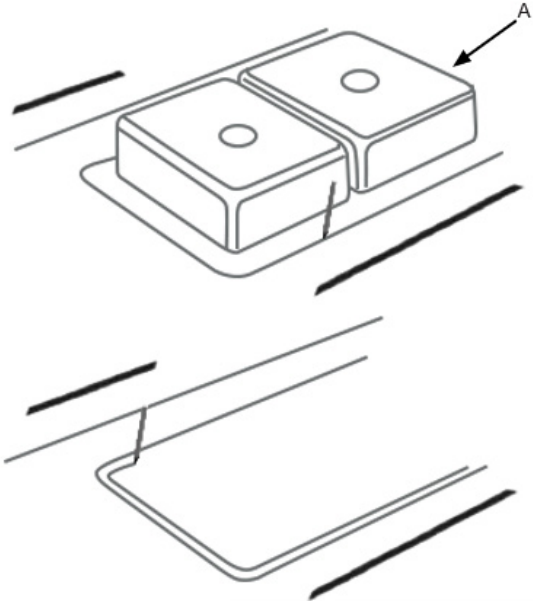
RECOMMENDED TOOLS



- Tape Measure
- Safety Glasses
- Painter's Tape
- Level
- Ear Protection
- Hacksaw/Jigsaw
- Pencil (Non-permanent marker)
- Shims or Cabinet Fillers
- Denatured Alcohol
- Clamps
- Construction Adhesive
- Silicone Adhesive Sealant
- Support Framing Material (1 1/4" (32mm) Max Thickness)
- Screws (recommended by countertop manufacturer)

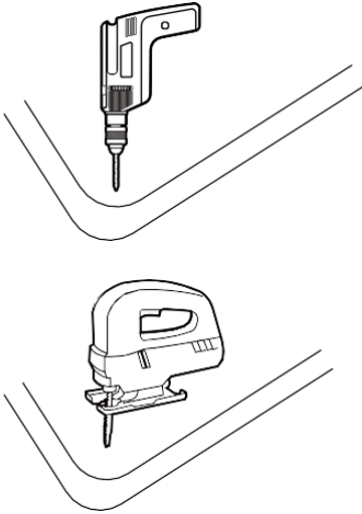
TOPMOUNT SINK INSTALLATION INSTRUCTIONS

STEP 1: BASE CABINET PREPARATION



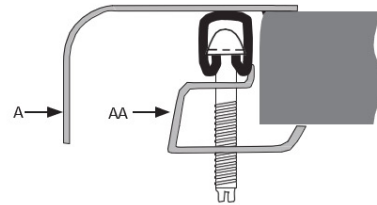
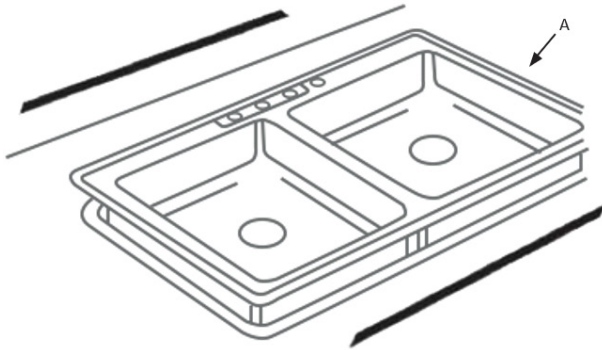
- Position the sink (A) upside down on the countertop.
- Trace completely around the edge of the sink (A).
- Draw a line 5/16" inside of the outline of the sink.

STEP 2: CUTTING THE COUNTER



- Drill a pilot hole in all four corners of the inside line.
- Use a saber saw or jig saw to cut on the inside line.
- Place a support underneath the cutout portion of the countertop to prevent it from falling during cutting.
- **IMPORTANT:** Always wear safety goggles and gloves when using power tools to prevent personal injury.

STEP 3: SINK INSTALLATION



- Apply silicone sealant (not included) around the cutout on the countertop surface. Carefully lower the sink (A) into the cutout in the countertop.
- Preassemble the clamps and screws (AA).
- From the underside - place the clamp (AA) in the center along each side and hand tighten to hold sink in place. Fasten the remaining clamps (AA) along the edges and space them approximately 3 in. from each end, and equally along the front, back and sides. For countertops thicker than 3/4 in., space them up to 1-1/2 in. apart.
- From the top - check the seal between the sink (A) edge and countertop. Adjust clamps (AA) if necessary.
- Lightly tighten clamps (AA) evenly with a screw driver until the sink is perfectly tight to the countertop.
- Do not over tighten.
- Wipe away any excess sealant with a rag.