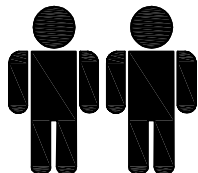
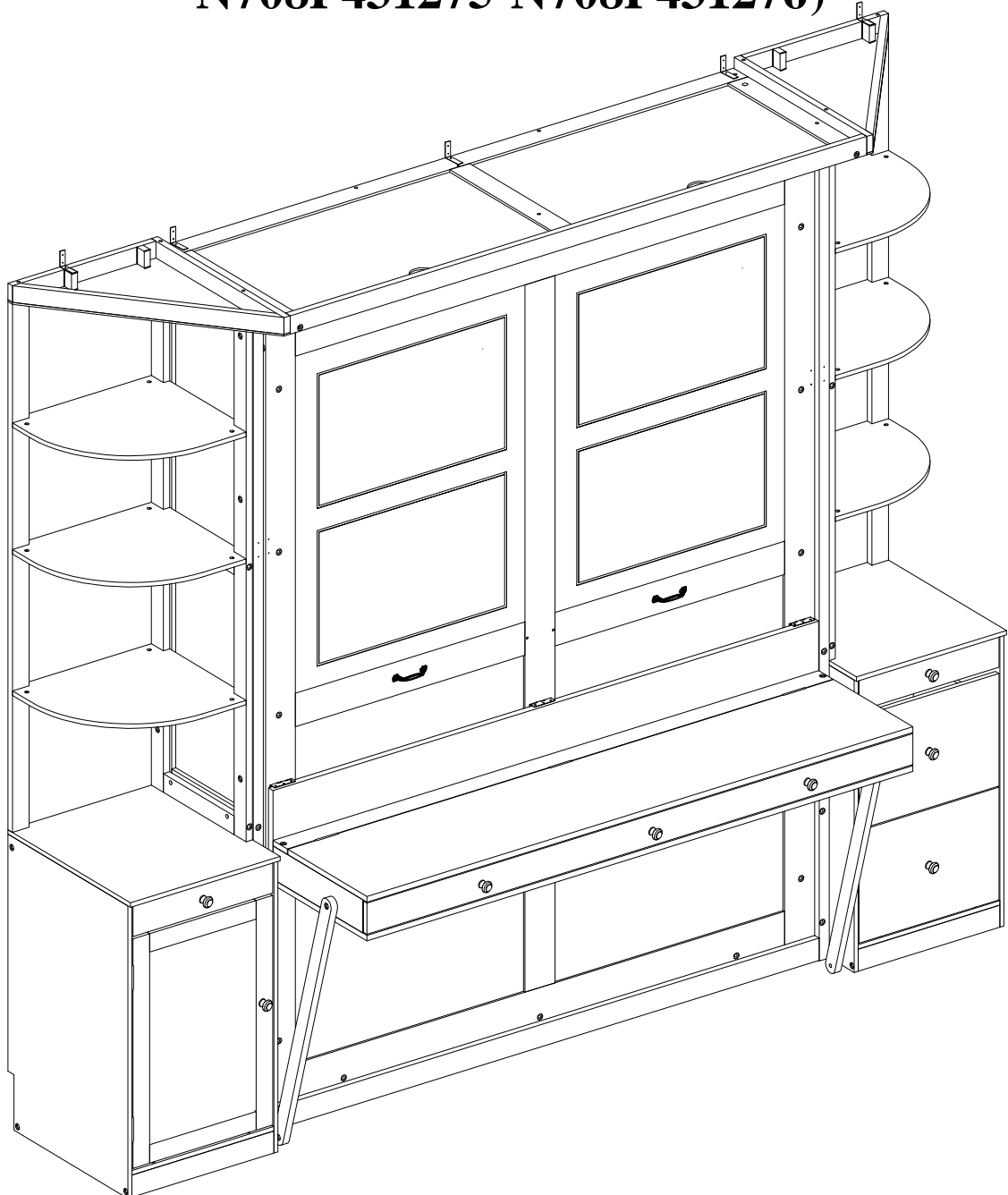


# ASSEMBLY INSTRUCTION

SKU CODE: (N708P431273-N708P431274-  
N708P431275-N708P431276)

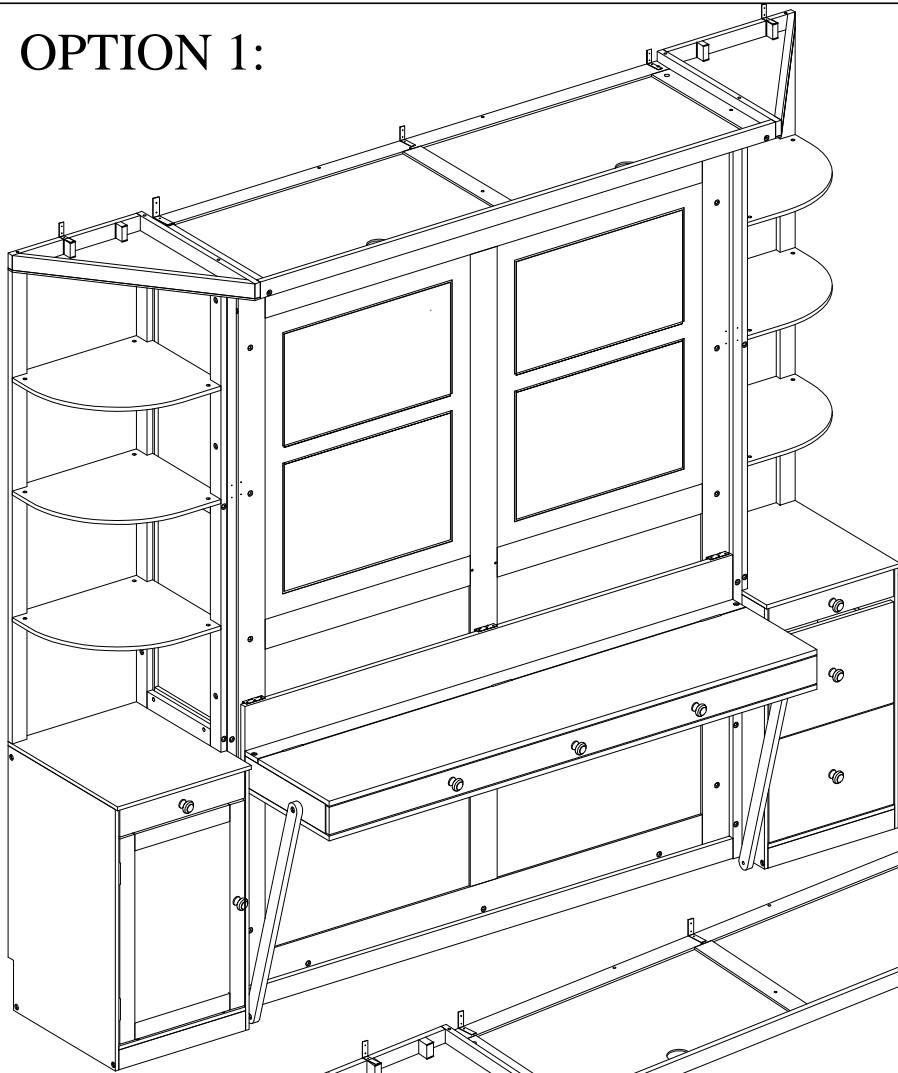
# INSTRUCTION DE MONTAGE

CODE SKU: (N708P431273-N708P431274-  
N708P431275-N708P431276)

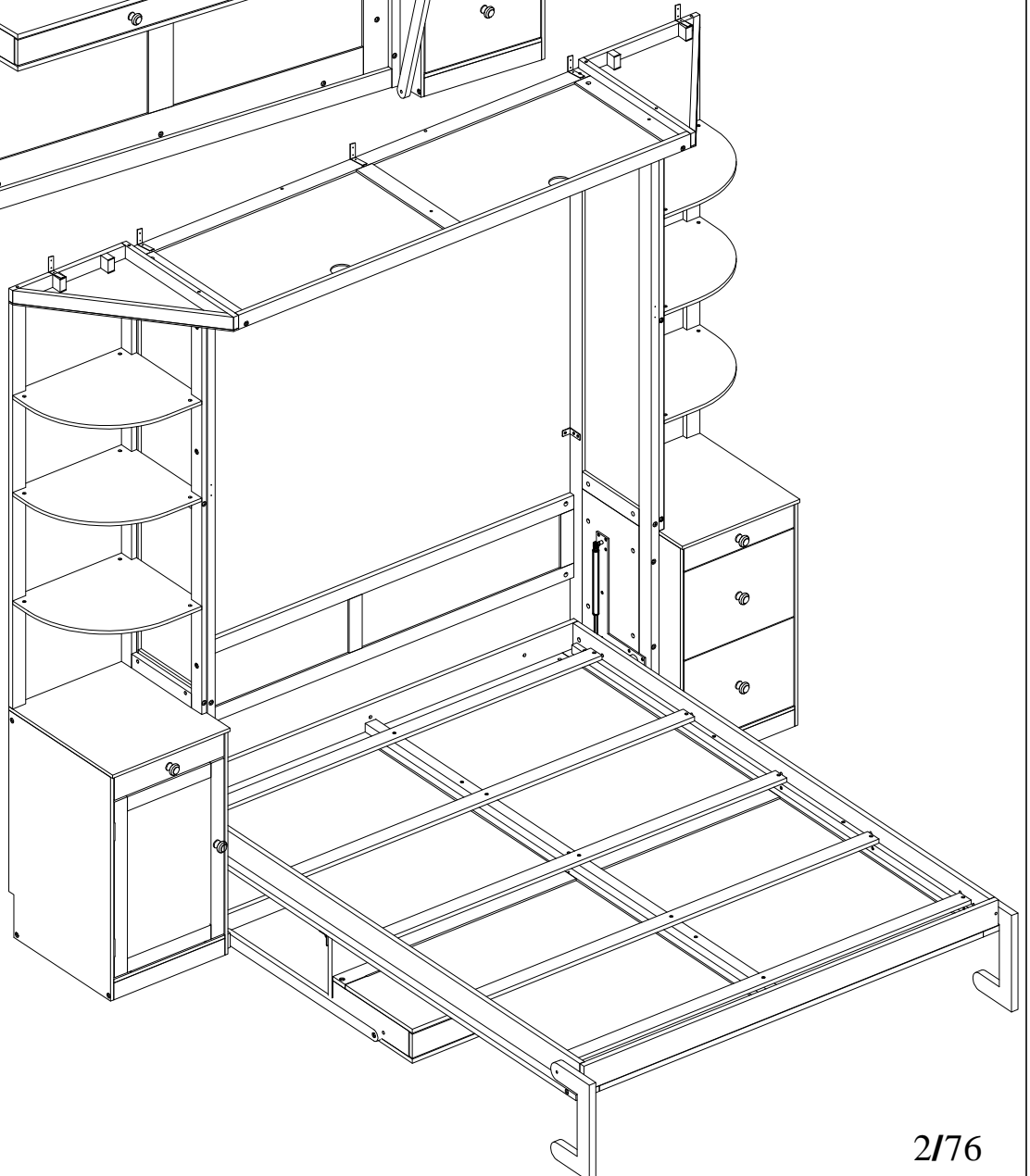


Four people are required to  
assemble and move this model.

OPTION 1:



OPTION 2:



# ⚠ SAFETY FIRST: WALL ANCHORING IS NON-NEGOTIABLE

MURPHY BEDS MUST BE SECURELY ANCHORED TO STRUCTURAL MEMBERS. NEVER MOUNT SOLELY TO DRYWALL. IMPROPER INSTALLATION CAN CAUSE SERIOUS INJURY OR DEATH.

## ⊘ ABSOLUTELY FORBIDDEN HARDWARE



PLASTIC ANCHORS - WILL FAIL

### A. WOOD STUD WALL

#### HOW TO IDENTIFY



KNOCK ON A HOLLOW WALL



STUD FINDER TOOL (MITS)

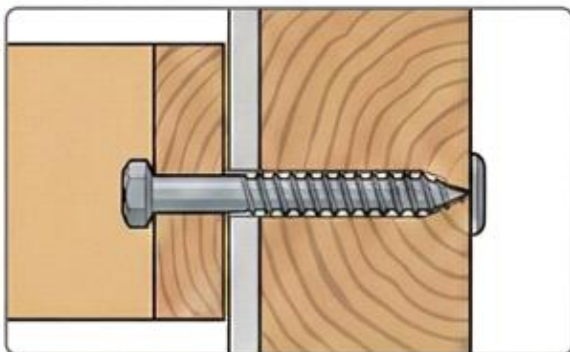


STUDS SPACED IS 16" STUD

#### REQUIRED HARDWARE



HEAVY-DUTY SCREWS (MIN. 5/32" DIA., 2.5" LONG)



MUST PENETRATE WOOD STUD CENTER AT LEAST 2.5"

### B. MASONRY/CONCRETE WALL

#### HOW TO IDENTIFY



KNOCK ON A SOLID WALL

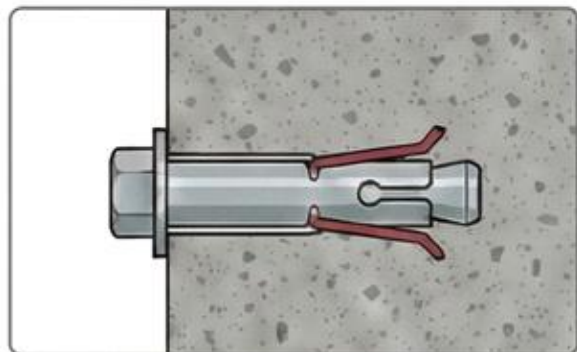


DRILL BIT CREATES GREY/RED DUST

#### REQUIRED HARDWARE



ALL-METAL EXPANSION BOLTS (MIN. 5/32" DIA., 2.5" LONG)



CLEAN HOLE OF DUST. **DO NOT** USE PLASTIC.

## ✓ FINAL SAFETY CHECKLIST



VERIFY STUD CENTER BEFORE DRILLING



ENSURE FLUSH WALL FIT (ADJUST BASEBOARD)



PERFORM PULL TEST BEFORE MATTRESS LOAD



AVOID HIDDEN WIRES/PIPES BEFORE DRILLING



REGULARLY INSPECT AND MAINTAIN WALL ANCHORS



CONSULT A PROFESSIONAL FOR WALL ASSESSMENT AND OPTIMAL HARDWARE; CUSTOMER ASSUMES ALL INSTALLATION LIABILITY

## IMPORTANT INFORMATION PACKAGE.


**THIS INFORMATION PACKAGE CONTAINS WARNING AND PRODUCT SAFETY INFORMATION. DO NOT PROCEED WITHOUT REVIEWING THOROUGHLY.**

### **A. WARNING LABELS.**

**Your purchased Murphy Bed is delivered to you with WARNING LABELS to constantly remind you to take and adopt Safety Measure throughout the entire assembly and mounting points of the Bed to the walls.**

### **DO NOT REMOVE these labels.**

These Warning Labels serve as a Reminder Tool for visiting friends and relatives when using the Murphy Bed to ensure Safety Precautions are taken.

**WARNING.**

**IMPORTANT SAFETY REQUIREMENTS - Bed Attachment to Wall.**  
**For Your Safety, the Murphy Bed MUST BE ATTACHED to the Wall.**

Seek Certified Professional Consultant / Contractors for their Services to:

- 1.) DETERMINE the WALL Type in Your Home;
- 2.) PRECISE HARDWARE that suits to the Wall Type in Your Home;
- 3.) INSTALL / ATTACH of the Murphy Bed to the Wall in Your Home;
- 4.) VALIDATE the Murphy Bed is appropriately and securely installed/attached.

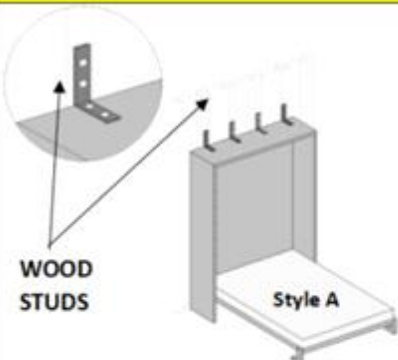
The choice of wall anchoring hardware depends on the type of wall. This Murphy Bed is delivered with HARDWARE SCREWS suited for attachment to WOOD STUDS in walls and hardware fittings suitable for fixing on CONCRETE SOLID walls. Please select the correct wall-fixing hardware. Any STUDS type detected with your Consultant-Contractors to be NOT WOOD STUDS or CONCRETE SOLID WALLS - DISCARD and DO NOT USE these SCREWS. Use the hardware suitable for your wall material.

Seek the professional advice of your Consultant-Contractor and procure the appropriate hardware and brackets for the attachment of the Murphy Bed to the Wall.

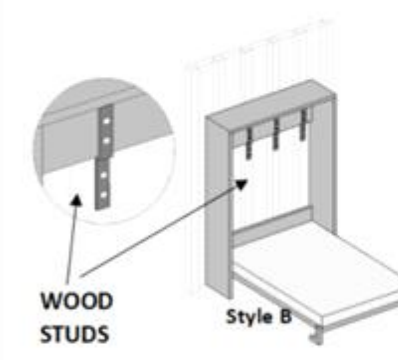
**FAILURE TO ADHERE TO THE ABOVE INSTRUCTIONS MAY RESULT IN SERIOUS and/or SEVERE INJURIES or Death caused by the detachment of the Murphy Bed from the Wall.**

**SAFETY PRECAUTION :**

1. ) MAXIMUM Mattress Weight suited to your Murphy Bed : 77 lbs ( 35 kg);  
MAXIMUM mattress thickness: 8 inches (20 cm);
2. ) ENSURE ADULTS ONLY throughout the entire assembly and attachment.
3. ) KEEP ALL Children, Non-Ambulatory persons and Pets at bay during the entire assembly and attachment.



WOOD STUDS



WOOD STUDS

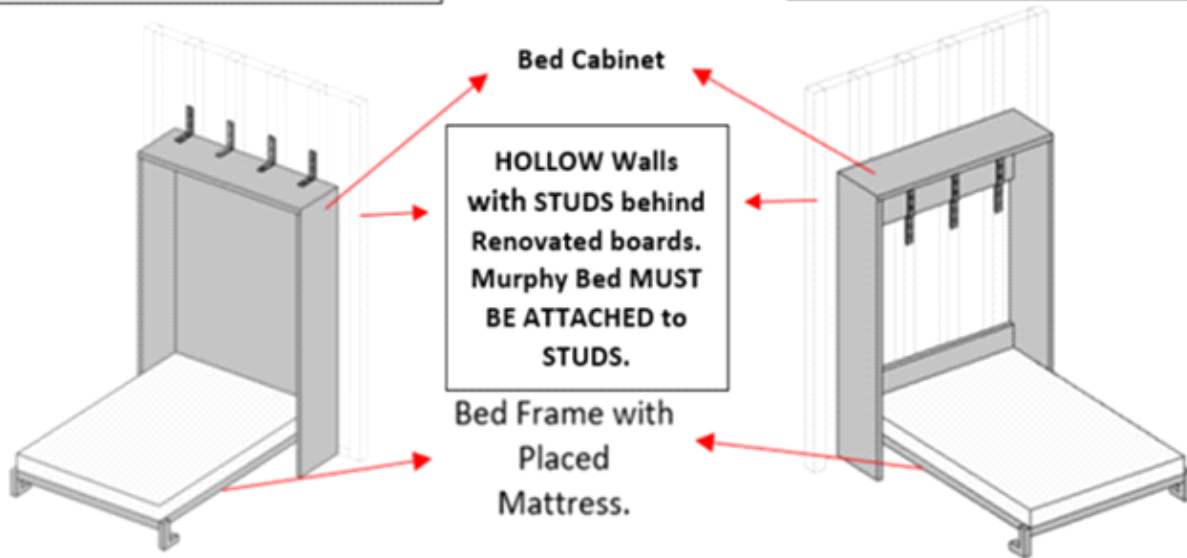
WOOD STUDS walls - Locking wall illustration

LINE ART for Reference only and NOT DRAWN TO SCALE.

**CAUTION :** Homes are renovated differently. There are CONCRETE walls and "hollow walls". Hollow walls are reinforced with STUDS of Wooden or Steel Materials. Seek advice from professionals.

**Style A - VERTICAL Murphy Bed with SEALED/CLOSED Back board.**

**Style B - VERTICAL Murphy Bed with OPEN STYLE Back board.**



## **B. SAFETY REMINDERS.** **MARKINGS in WALL - WHERE TO ATTACH the MURPHY BED.**

Irrespective of the wall type, whether **Solid Concrete Walls** OR **Decorative Walls with WOODEN Studs** OR **Decorative Walls with Metal Studs**, ensure that

- a. ) you choose a professional installer who has a good understanding of the wall structure where the Murphy Bed is anchored, including the position of the wall studs and structural components in the case of a wood or metal structure.
- b. ) precise markings of the positions of the anchor points are to be made on the wall for easy identification during the Murphy Bed attachment to the wall.
- c. ) the relevant and appropriate Hardware with Metal Brackets are READY for this attachment and are within easy access for prompt and efficient attachment.

## **This product requires Professional Consultation and Installation\*.**

\* When you choose the professional installer, make sure to comply with all applicable laws, regulations and rules in the city, state or country where the Murphy Bed is installed.

To have your Murphy Bed fully assembled and to achieve its intended functionality - you **MUST READ** through this entire Assembly Instructions Manual before you start the assembly of the bed

1.) **There are numerous Safety Issues and Safety Precautionary Actions that you MUST KNOW before you start the Assembly.**

2.) **CAUTION - Failure to FOLLOW / ADHERE to the GUIDE, WARNING AND REMINDERS here, may result in serious / severe injuries or death.**

3.) **PRECAUTION : For the assembly, Adult Partners only, to assist in the entire assembly. Ensure at least 3 (three) ABLE BODIED PERSONS ONLY in the entire assembly and attachment of this Murphy Bed to the walls of your home.**

4.) **CAUTION : During the entire assembly process and attachment of the Murphy Bed to the walls of your home, Keep ALL Children, Non-Ambulatory Persons and Pets completely at bay.**

5.) **SAFETY REMINDER on / to : Personal, Family Members and Pets. The Murphy Bed may be shipped to you in 3 to 5 packages and are HEAVY. Each carton holds many parts and components. Some of these components eg., bolts and screws are relatively small\* in size.**

**\*. During the assembly process, ensure that any misplaced bolts and nuts are picked up so that Children and /or Pets do not play or ingest these.**

6.) **This Murphy Bed is intended for ADULT USE ONLY.**

7.) **This Murphy Bed is delivered with pre-installed hardware for the wood studs and the concrete solid wall - please choose the appropriate hardware according to the type of the wall.**

8.) **Your Home's Wall Type** - Every home is renovated differently with different wall(s) type / finishes. Before you proceed to assemble your Murphy Bed :

- a.) **SEEK and CONSULT Professional Services** to ascertain the wall type in the designated location where you intend to attach the Murphy Bed;
- b.) **ENSURE** the Consultant-Contractor specifically **INFORMS** you of the **WALL TYPE** in the designated spot where you intend to attach the Murphy Bed.
- c.) **ENSURE** the Consultant **INFORMS** you specifically on the matching and relevant Hardware / Brackets to secure and attach the Murphy Bed to the wall.

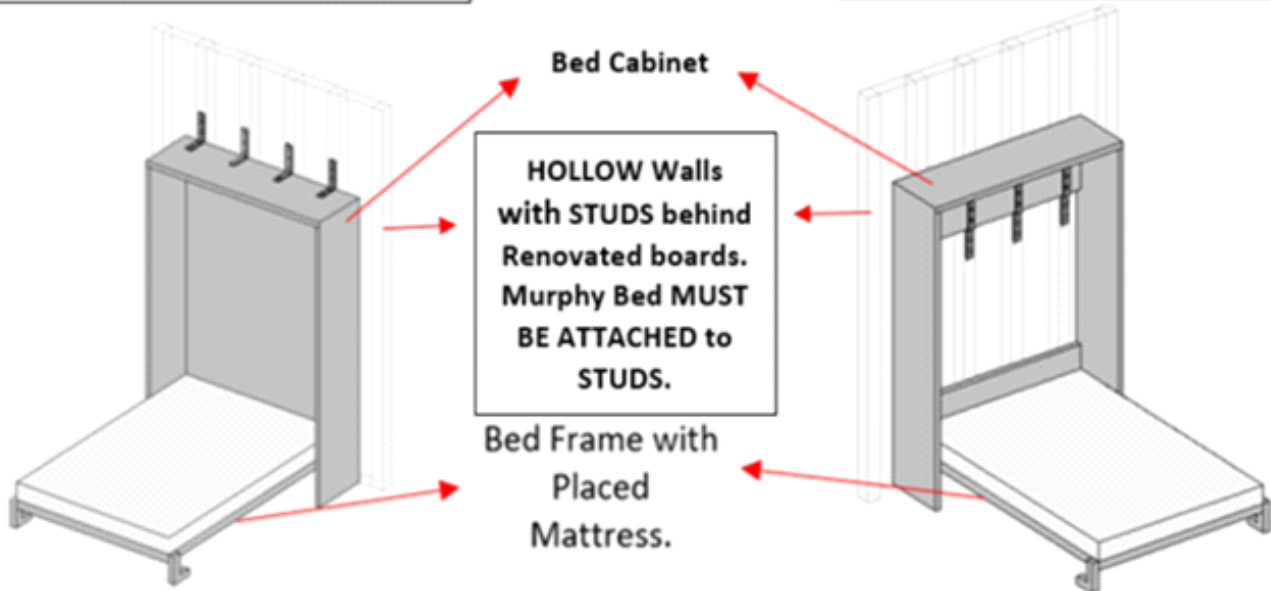
9.) **WARNING - YOU MUST HEED THE INSTRUCTIONS** given by your appointed Consultant-Contractor on the :

- a.) Mounting Hardware Type that suits the wall(s) type - where / when it is NOT WOOD STUDS or NOT CONCRETE SOLID WALL, the **pre-packed hardware not match/ not fit.**
- b.) Number of Mounting Points for the Murphy Bed to the Wall.

**CAUTION :** Homes are renovated differently. There are CONCRETE walls and "hollow walls". Hollow walls are reinforced with STUDS of Wooden or Steel Materials. Seek advice from professionals.

**Style A - VERTICAL Murphy Bed with SEALED/CLOSED Back board.**

**Style B - VERTICAL Murphy Bed with OPEN STYLE Back board.**



11.) This Murphy Bed is designed for home use and not intended for commercial use.

12.) This Murphy Bed is not intended to be moved, modified, uninstalled or disassembled once professionally installed.

## C.) MOUNTING INFO & HARDWARE.

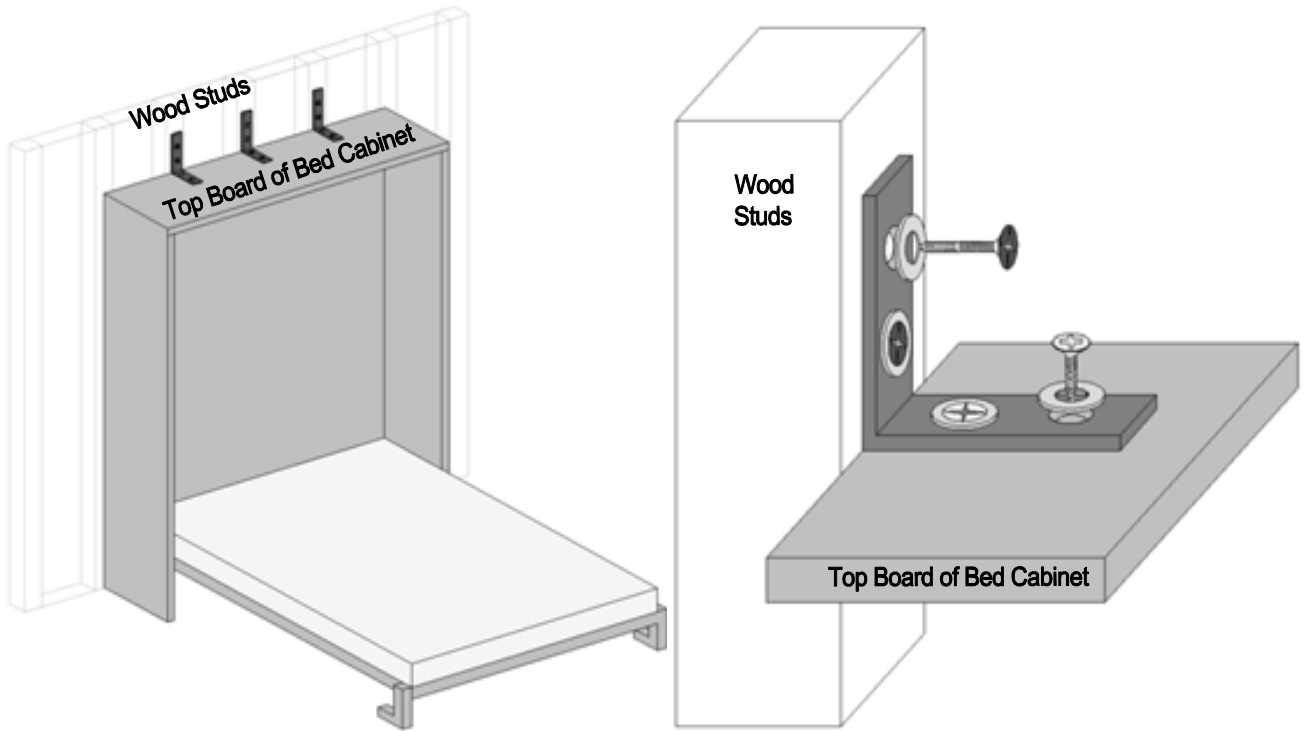
### 1.) REMINDERS :

- a.) **In the event, that this pre-packed Screws Set does not match to the walls in your home - DO NOT USE / DISCARD these hardware.**
- b.) **ADHERE to the Professional Consultant-Contractor** instructions and information on the **RELEVANT** mounting hardware that suits your wall.
- c.) Procurement of these **RELEVANT** hardware is an arrangement made between your Consultant-Contractor and you.

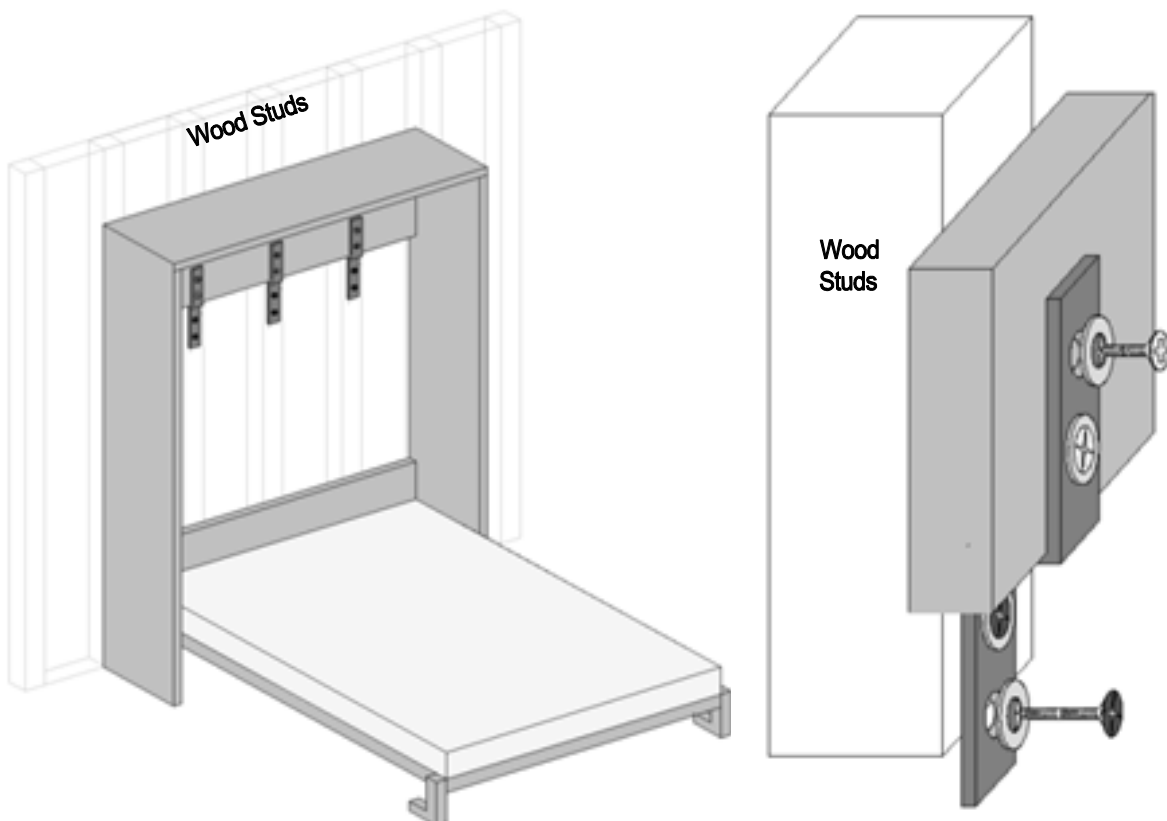
2.) A step ladder ( not provided ) is needed to attach the L-Brackets to the wall, at the Top of the Murphy Bed. **DO NOT** lean against the Top of the Murphy Bed, it may cause sagging.

# Murphy Bed Style A

## L-Bracket Fixture to Wood Studs



## Z-Bracket Fixture to Wood Studs



## **D. ) IDENTIFICATION of TOOLS and ATTACHMENT SKILL.**

The parts and components to assemble the Bed Frame are stated in the Assembly Instructions. Follow the instructions with attention.

For an efficient assembly, after opening the cartons shipped to you :

- a. ) open and layout all parts and components in sequence;
- b. ) account for every part, hardware and component;
- c. ) then lay out the parts close to each other;

Assemble and tighten each bolt / nut / screw up to 80% to allow for the Bed Frame and Bed Cabinet to be HELD together.

Upon FINAL assembly where all the parts and components are FITTED precisely, in a sequential manner - proceed to tighten each bolt & nut & screw gradually.

### **CAUTION :**

- 1.) **The METAL PLATES to the sides of the Side Rails - MUST BE FULLY and SECURELY TIED to the SIDE RAILS.**
- 2.) **The Piston L-Brackets that are attached to the INNER WALL of the Bed Cabinet - MUST BE FULLY and SECURELY TIED to these Inner Walls.**
- 3.) **These Metal Plates and the L-Brackets - are the components that are holding the Pistons that allow your Bed to “travel” to an OPEN or CLOSED position.**
- 4.) **Frequent Inspections of these Metal Plates / Brackets and Pistons Bolts, up to Once a Month - to ascertain these DO NOT BECOME LOOSE. For if these bolts to the Bed Frame and or Bed Cabinet or Pistons are loose, may cause the BED FRAME to become DISLODGED and cause injuries.**

**REMINDER : NEVER FULLY TIGHTEN any screw / nut or bolt in one session. If you DO TIGHTEN the hardware all the way into the core of the wood, this cause the parts to become skewed that would impact other parts of the item not being able to be aligned to its mounting points for assembly.**

## **E. ALL ASSEMBLY WORKS REQUIRES A TEAM OF NO LESS THAN 3 ADULTS.**

Reminder : Per above info, the cartons and products are heavy - therefore exercise CAUTION at all times and ENSURE YOUR TEAM OF 3 for theentire ASSEMBLY.

## **F. ) ASSEMBLY OF BED CABINET.**

Identify all parts and components for the Bed Cabinet.  
Assemble the Bed Cabinet according to the Assembly Instructions.

Upon the completion assembly of the Bed Cabinet, make a final inspection that all joints and parts are fully and securely attached.

CLEAR all debris in the area where your Murphy Bed is going to be attached to the wall.

Move this FULLY ASSEMBLED BED CABINET and position this BED CABINET some 2feet to 3 feet away from the designated Wall, where you have previously made markings.

**SAFETY REMINDER - The Cabinet is NOT ATTACHED TO THE WALL, YET. From here on - YOU MUST HAVE 2 ADULT to HOLD and STABILISE this BED CABINET, to prevent the Bed Cabinet from TIPPING OVER.**

## **G. ) THE FIXATION OF THE BED CABINET**

Fix the bed cabinet to the wall using wall-mounted hardware, and check to ensure that the bed cabinet is securely fastened to the Wood Studs or Concrete Solid Wall.

**REMINDER : FOLLOW the INSTRUCTIONS from your Professional Consultant / Contractor.**

SEQ	Bed Description	Bed Size	Details.
1	Single/Twin(XL)	~38*75/80~ inches	Attach at least 2 pieces of L or Z Hardware onto the Wall or Studs;
2	Full	54*75inches	Install at least 3 pieces of L or Z Hardware onto the Wall or Studs;
3	Queen	60*80inches	Install at least 3 pieces of L or Z Hardware onto the Wall or Studs;
4	King	76*80inches	Install at least 4 pieces of L or Z Hardware onto the Wall or Studs;
5	Other Bed Size		Other Bed Sizes - seek advice from your Contractor

## **H. ) ASSEMBLY of BED FRAME.**

Identify all parts and components for the Bed Frame.  
Assemble the Bed Frame according to the Assembly Instructions.

Upon completion of assembly of the Bed Frame, make a final inspection that all joints and parts are fully and securely attached.

## **I. ATTACHMENT OF BED FRAME TO BED CABINET.**

Using the lifting hardware (compressed pneumatic/hydraulic rods and other hardware fitting), follow the installation instructions to securely connect the bed frame and the bed cabinet together. This process requires at least 3 ( three) adults.

You may need to - **LIGHTLY** slide forward-backward to adjust and create gap space so as to enable the Pistons to be hooked to both ends of the hanging bolts in the Inner Wall of the L-BRACKET

Fully Secure and Tighten these Bolts at each end of the Pistons.

## **J. ) Attachment of Safety Latches.**

Upon completion of Step I above, ensure the entire structure of Bed Frame to Cabinet is fully and securely attached as ONE UNIT - affix the Safety Latches.

These Latches are to be reachable by Adults Only. Thus, the minimum height shall be no less than 5feet ( 1.5m ) from ground.

## **K. ) Warning for Selecting a Mattress**

**Recommended Mattress weight ( 55 )lb or ( 25 )kg / Recommended Mattress thickness ( 6 )in or ( 15 )cm** - Your Murphy Bed is made having taken into consideration the Bed Frame Weight and Mattress weight to pair with the Pistons Newton Force.

Therefore, load your bed with the RECOMMENDED MATTRESS Weights, Size and Thickness as stated here in the assembly instructions.

**DO NOT LOAD any heavier and or LARGER and or LIGHTER Mattress than what is recommended here.**

## **L. ) MATTRESS PLACEMENT .**

Have 1 to 2 persons - place equal strengths to the handles and gently and securely, PULL DOWN the Bed Frame until the Bed Frame is horizontally and level to the ground.

Have the other 2 persons - carry and place the Mattress (**within the recommended weight and thickness**) and gently place the Mattress on to the Bed Frame.

## **M. ) PISTON NEWTON-LOAD STRENGTH.**

You are hereby reminded that when the BED FRAME is EMPTY OF MATTRESS, the Bed Frame may NEED a STRONGER force to be pulled down before you can place the Mattress.

This RESISTANCE to be PULLED DOWN is a normal characteristics of the Pistons Newton-Load force is “in action”.

## **N. ) BED STRAP - GUIDE STRAP**

Your Murphy Bed may or may not come equipped with a Bed Strap.

This Bed Strap serves as a GUIDE STRAP to help you lift the Bed Frame some 6 inches or so off its resting position. Then use both hands to FULLY LIFT HOIST the Bed Frame to its closing position.

**SAFETY REMINDER :**

1. ) **DO NOT USE THE BED STRAP to PULL DOWN TO OPEN the BED FRAME from its CLOSED POSITION.**
2. ) **DO NOT USE THE BED STRAP to PULL-LIFT-HOIST the BED FRAME from the OPENED-HORIZONTAL position, to the CLOSED POSITION.**

Both the above may cause injury and or unnecessary strain to your arm(s).

## **O. ) USING YOUR MURPHY BED.**

For EVERY USE - exercising Safety Precautionary Measures to ensure the safety of your family members and pets **are** IMPORTANT.

Therefore, PRIOR TO OPENING / PRIOR TO CLOSING OF YOUR MURPHY BED - Make sure all Children / Non Ambulatory Persons and Pets are at bay.

**KEEP CHILDREN and NON-AMBULATORY persons from Unlatching the Safety Latches.**

## **P. ) CAUTION : DO NOT BE DISTRACTED During EVERY OPENING and CLOSING of your Murphy Bed.**

Every time you Pull to **OPEN** the Murphy Bed from its closed position OR **Lift-Pull to CLOSE** the Murphy Bed to stow it into the Bed Cabinet -

. give these actions your focused and dedicated attention.

. **DURING EVERY OPENING and CLOSING of your Murphy Bed** - always ensure you have an Adult Partner close by for added assistance, where necessary.

. **DO NOT OVER EXERT ADDED FORCE to OPEN the Bed or to CLOSE the Bedframe.** For if you do, the resistance of the Piston will only make it harder for you to complete the task.

. **TO CLOSE the Murphy Bed** : depending on your height - stand some 6inches to 10inches away from the FootBoard edge. Use both your hands and place both hands at about equal distance from the middle of the Bed Frame, spaced at 2 to 3 feet between your hands - GENTLY LIFT-PULL to Close your Murphy Bed.

. **TO OPEN the Murphy Bed** : using equal force - **place your hands to the installed grab handle** and GENTLY PULL towards you to Open. **As you pull Open the Murphy Bed - proceed to move backwards, slowly and steadily, so as to give way to the Murphy Bed's OPEN Position.**

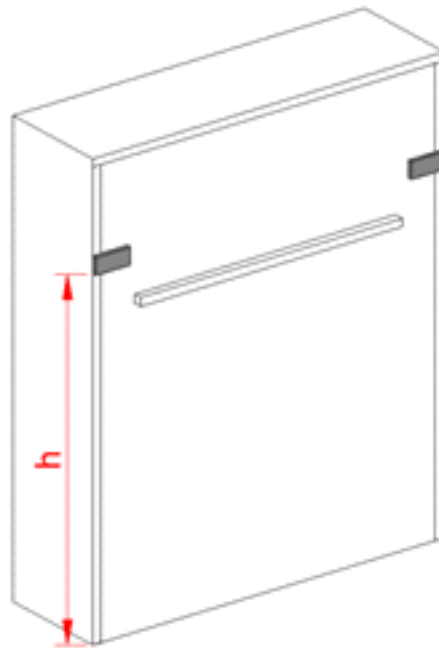
. During **EVERY OPENING or CLOSING** of the Murphy Bed - at about your hip level - you may find that you need to rotate your hand / wrist - take caution here to prevent injury.

. During EVERY OPENING and CLOSING, keep Children and Pets and Non Ambulatory Persons at bay.

. **NEVER** allow your children to treat this Murphy Bed as a Hide and Seek place of fun or jump on the bed.

. **Care & Maintenance** - Depending on the frequency of use of your Murphy Bed, it is recommended that you take precautionary Care and Maintenance. It is advisable to conduct NO LESS THAN 2 to 3 checks annually on these mounting points & pistons to ensure that these are securely bolted. Where necessary, use a vacuum cleaner to clear all dust and then wipe down with a damp cloth, then proceed with your maintenance work.

**Safety Latches** - Your Murphy Bed comes with the Safety Latch. These are to be attached at, both the TOP LEFT and TOP RIGHT hand upper portion, **minimum of 5 feet ( 1.5m) from ground**, of the Bed Frame / Bed Cabinet. Monitor and Inspect these frequently.



- Whenever NOT in use and after the Murphy Bed has been LIFTED and stowed in its **CLOSED POSITION** - **ALWAYS LATCH UP**.

## Frequently Asked Questions. Malfunctioned Pistons.

**How do you know when the Murphy Bed's Piston has malfunctioned?**

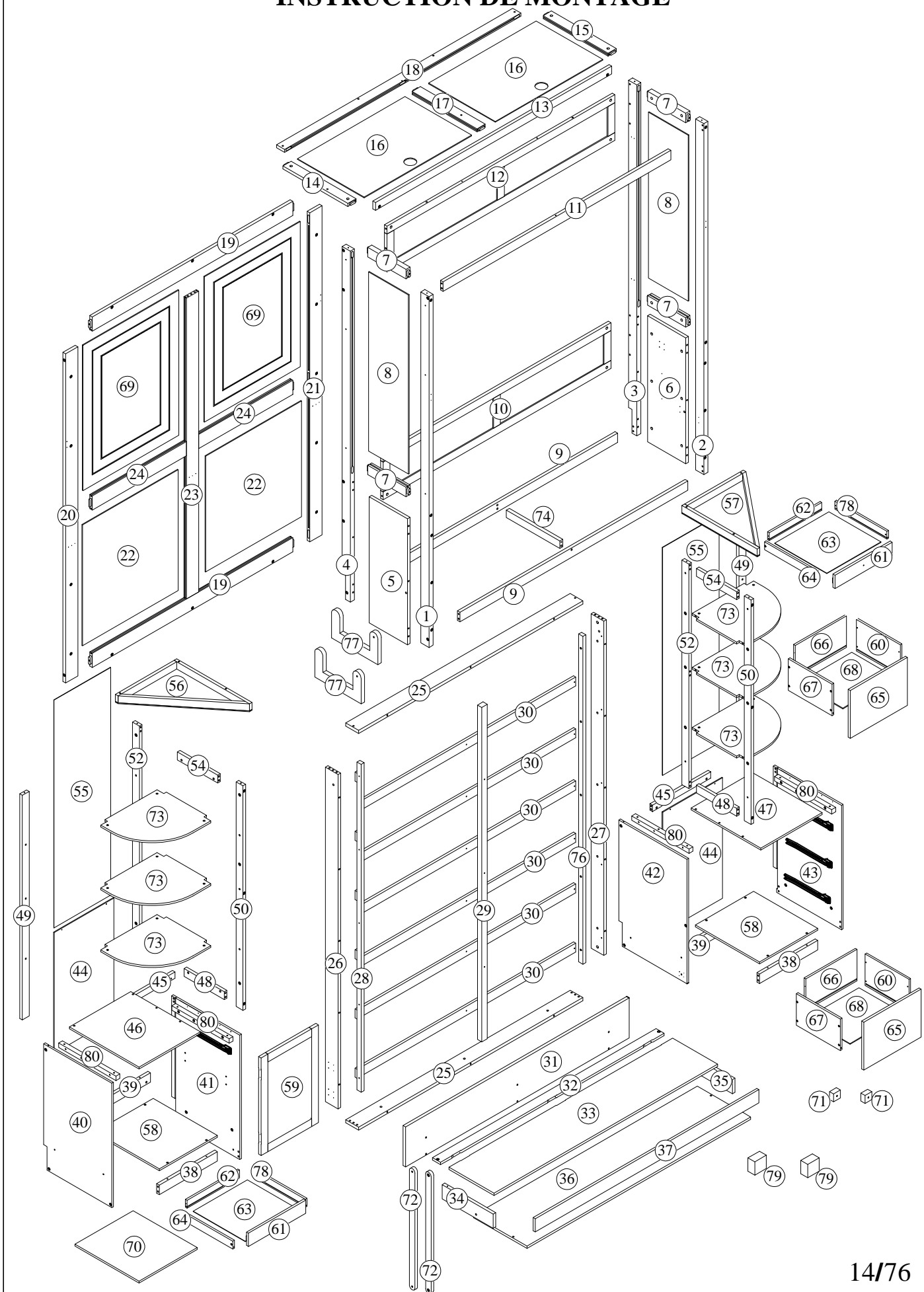
**It would be quite evident in that :**

- a.) the Bed Frame may become **LOPSIDED** and
- b.) the Lift-PULL force to **CLOSE** may be "heavier" than before.

**IMMEDIATELY - STOP USING YOUR MURPHY BED.**

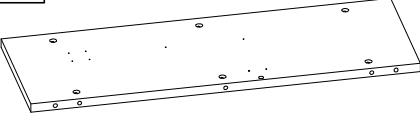
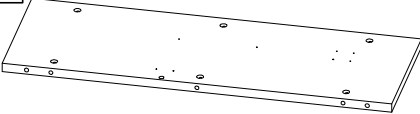
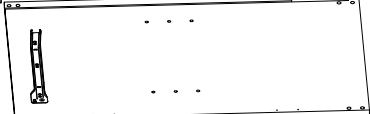
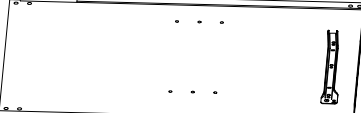
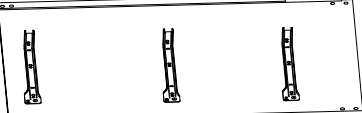
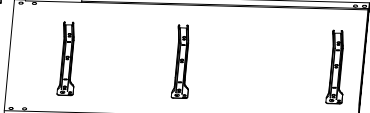
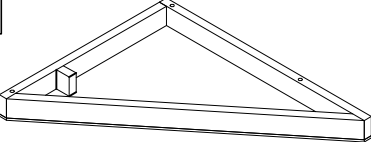
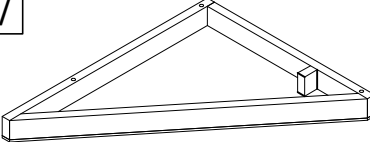
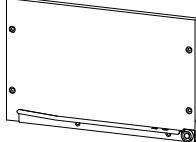
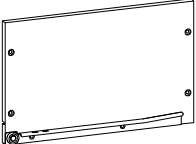
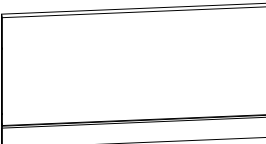
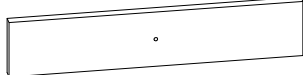

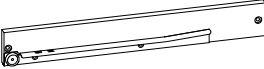

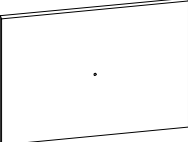
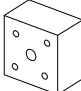

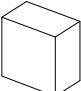

**SEEK and CONSULT professional maintenance service to ascertain the problem and repair and or have the pistons changed.**

# ASSEMBLY INSTRUCTION INSTRUCTION DE MONTAGE



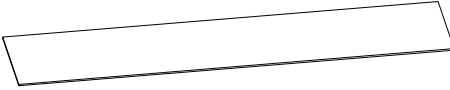
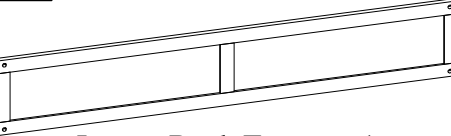
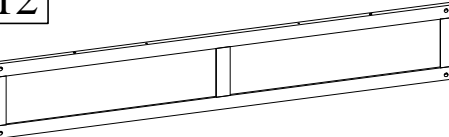
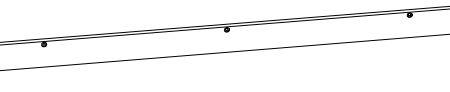
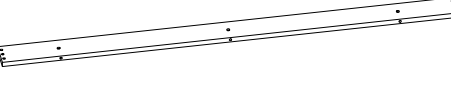


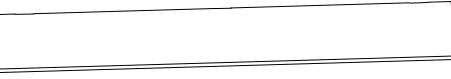






# Part List (Box 1-N708P431273)-hardware box

## Liste des pièces et boîte matérielle

<p>5</p>  <p>Lower Left side panel - 1pc Panneau latéral inférieur</p>	<p>6</p>  <p>Lower Right side panel - 1pc Panneau latéral inférieur</p>	<p>40</p>  <p>Left Side Panel 1-1pc Panneau latéral</p>
<p>41</p>  <p>Right Side Panel 1-1pc Panneau latéral</p>	<p>42</p>  <p>Left Side Panel 2-1pc Panneau latéral</p>	<p>43</p>  <p>Right Side Panel 2-1pc Panneau latéral</p>
<p>56</p>  <p>Cabinet Top Left Panel - 1pc Panneau supérieur gauche du meuble</p>	<p>57</p>  <p>Cabinet Top Right Panel - 1pc Panneau supérieur droit du meuble</p>	<p>60</p>  <p>Drawer Right Panel 1 - 2pcs Panneau latéral du tiroir</p>
<p>67</p>  <p>Drawer Left Panel 1- 2pcs Panneau latéral du tiroir</p>	<p>66</p>  <p>Drawer Back Panel 1- 2pcs Panneau arrière du tiroir</p>	<p>61</p>  <p>Drawer Front Panel - 2pcs Panneau avant du tiroir</p>
<p>62</p>  <p>Drawer Back Panel 2- 2pcs Panneau arrière du tiroir</p>	<p>64</p>  <p>Drawer Left Panel 2 - 2pcs Panneau latéral du tiroir</p>	<p>78</p>  <p>Drawer Right Panel 2- 2pcs Panneau latéral du tiroir</p>
<p>65</p>  <p>Drawer Front Panel 1- 2pcs Panneau avant du tiroir</p>	<p>71</p>  <p>Wood Block 1 - 2pcs Bloc de bois</p>	<p>72</p>  <p>Table Leg Support - 2pcs Pied de soutien de table</p>
<p>79</p>  <p>Wood Block 2 - 2pcs Bloc de bois</p>	<p>80</p>  <p>Wood Block 3 - 4pcs Bloc de bois</p>	

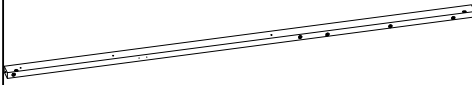
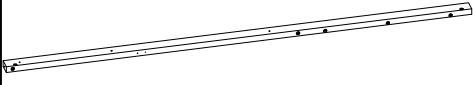


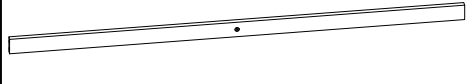
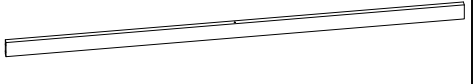





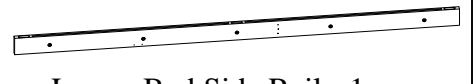





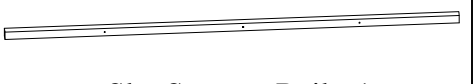

# Part List (Box 2-N708P431274)

## Liste des pièces

<p>8</p>  <p>Upper Side Panel - 2pcs Panneau latéral</p>	<p>10</p>  <p>Lower Back Frame - 1pc Côté au-dessus</p>	<p>12</p>  <p>Upper Back Frame - 1pc Cadre ci-dessus</p>
<p>19</p>  <p>Horizontal Bed Frame - 2pcs Longeron latéral inférieur du lit</p>	<p>25</p>  <p>Vertical Bed Frame - 2pcs Longeron latéral supérieur du lit</p>	<p>31</p>  <p>Back Panel - 1pc Panneau arrière</p>
<p>32</p>  <p>Table Top 1 - 1pc Plateau de table</p>	<p>33</p>  <p>Table Top 2 - 1pc Plateau de table</p>	<p>36</p>  <p>Bottom Panel - 1pc Panneau inférieur</p>
<p>37</p>  <p>Front Panel - 1pc Panneau avant</p>	<p>49</p>  <p>Vertical Bar - 2pcs Montant</p>	<p>50</p>  <p>Front Left Upright - 2pcs Montant avant gauche</p>
<p>52</p>  <p>Back Left Upright - 2pcs Montant arrière gauche</p>	<p>55</p>  <p>Cabinet Back Panel - 2pcs Panneau arrière du meuble</p>	







# Part List (Box 3-N708P431275)

## Liste des pièces

<p>1</p>  <p>Wooden leg - 1pc Pied en bois</p>	<p>2</p>  <p>Wooden leg - 1pc Pied en bois</p>	<p>3</p>  <p>Wooden leg - 1pc Pied en bois</p>
<p>4</p>  <p>Wooden leg - 1pc Pied en bois</p>	<p>9</p>  <p>Side rail - 2pcs Traverse latérale</p>	<p>11</p>  <p>Top rail - 1pc Traverse latérale</p>
<p>13</p>  <p>Front Top Rail - 1pc Traverse haute avant</p>	<p>14</p>  <p>Side Top Rail - 1pc Traverse haute latérale</p>	<p>15</p>  <p>Side Top Rail - 1pc Traverse haute latérale</p>
<p>17</p>  <p>Center Top Rail - 1pc Traverse haute centrale</p>	<p>18</p>  <p>Back Top Rail - 1pc Traverse haute arrière</p>	<p>20</p>  <p>Lower Bed Side Rail - 1pc Longeron latéral inférieur du lit</p>
<p>21</p>  <p>Lower Bed Side Rail - 1pc Longeron latéral inférieur du lit</p>	<p>23</p>  <p>Center Rail - 1pc Traverse centrale</p>	<p>26</p>  <p>Upper Bed Side Rail - 1pc Longeron latéral supérieur du lit</p>
<p>27</p>  <p>Upper Bed Side Rail - 1pc Longeron latéral supérieur du lit</p>	<p>28</p>  <p>Slat Support Block - 1pc Bloc de support de latte</p>	<p>29</p>  <p>Slat Support Rail - 1pc Traverse de support des lattes</p>
<p>76</p>  <p>Slat Support Block - 1pc Bloc de support de latte</p>		

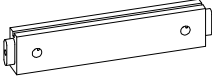
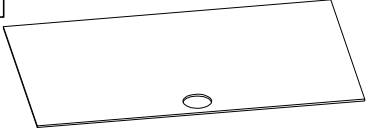
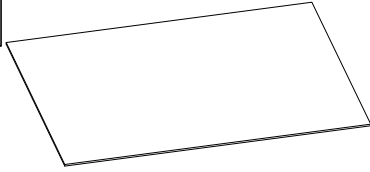
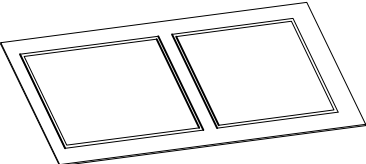



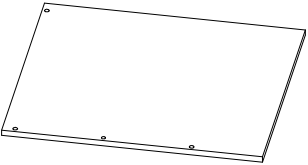
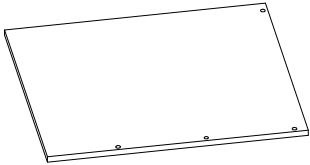
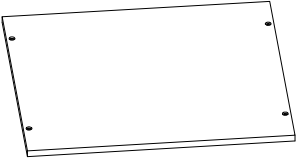
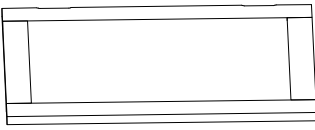
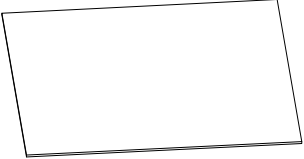

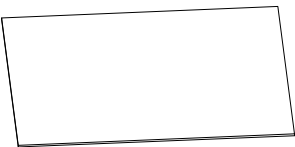
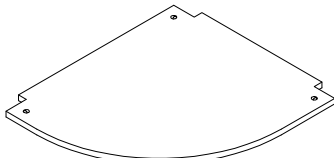
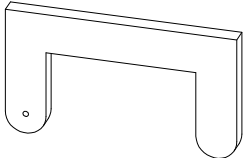

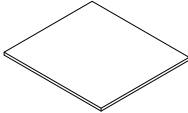
# Part List (Box 3-N708P431275)

## Liste des pièces

<p>30</p>  <p>Slat - 6pcs Latte</p>	<p>38</p>  <p>Front Bottom Support Bar - 2pcs Barre de soutien inférieure avant</p>	<p>39</p>  <p>Rear Bottom Support Bar - 2pcs Barre de soutien inférieure arrière</p>
<p>45</p>  <p>Horizontal Bar - 2pcs Traverse</p>	<p>48</p>  <p>Horizontal Bar - 2pcs Traverse</p>	<p>74</p>  <p>Horizontal Bar - 1pc Traverse</p>

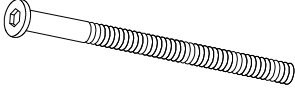

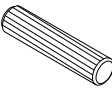
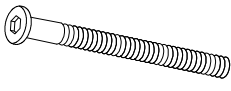
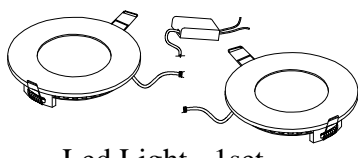
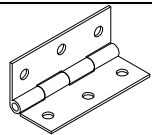
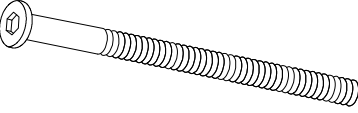

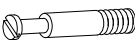
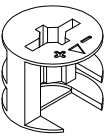
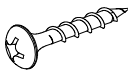
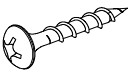
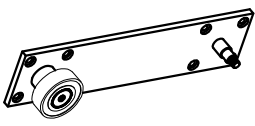
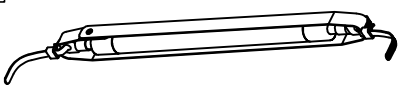
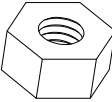
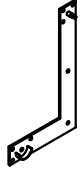
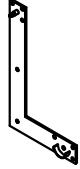
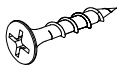
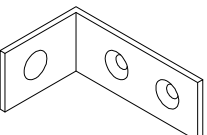
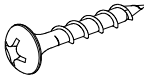
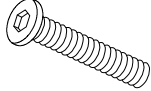
# Part List (Box 4-N708P431276)

## Liste des pièces

<p>7</p>  <p>Cross bar - 4pcs Traverse</p>	<p>16</p>  <p>Top Panel - 2pcs Panneau supérieur</p>	<p>22</p>  <p>Lower Panel - 2pcs Panneau inférieur du cadre</p>
<p>69</p>  <p>Upper panel - 2pcs Barre supérieure latérale</p>	<p>34</p>  <p>Left Side Panel-1pc Panneau latéral gauche</p>	<p>35</p>  <p>Right Side Panel-1pc Panneau latéral gauche</p>
<p>44</p>  <p>Back Panel - 2pcs Panneau arrière</p>	<p>46</p>  <p>Left Top Panel - 1pc Panneau supérieur droit</p>	<p>47</p>  <p>Right Top Panel - 1pc Panneau supérieur droit</p>
<p>58</p>  <p>Cabinet Bottom Panel - 2pcs Panneau inférieur du meuble</p>	<p>59</p>  <p>Door Panel - 1pc Porte</p>	<p>63</p>  <p>Drawer Bottom - 2pcs Panneau supérieur droit du meuble</p>
<p>24</p>  <p>Center cross bar - 2pcs Barre transversale centrale</p>	<p>68</p>  <p>Drawer Bottom - 2pcs Panneau supérieur droit du meuble</p>	<p>73</p>  <p>Shelf Panel - 6pcs Panneau d'étagère</p>
<p>77</p>  <p>Support Leg - 2pcs Pied de soutien</p>	<p>54</p>  <p>Horizontal Bar - 2pcs Traverse</p>	<p>70</p>  <p>Shelf Panel - 1pcs Panneau d'étagère</p>


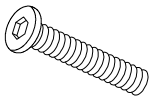

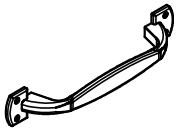
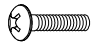
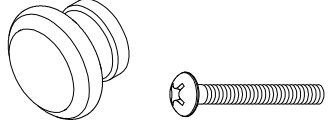

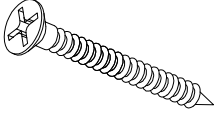
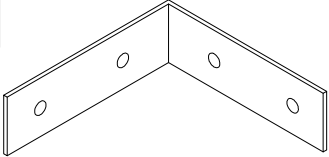

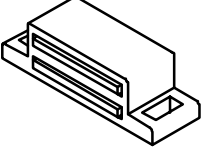
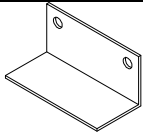
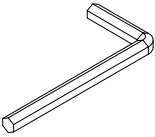
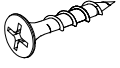
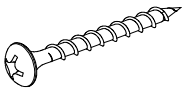
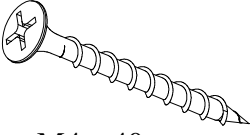



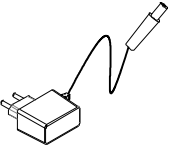
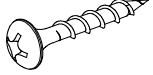
# Hardware List (Box 1-N708P431273)

## Liste du matériel

<p><b>A</b></p>  <p>D13 x Ø1/4" x 100 mm Hex-Head bolts 20pcs Boulons à tête hexagonale 20 pièces</p>	<p><b>B</b></p>  <p>Ø1/4" x 12 mm Horizontal-Hole bolts 113pcs Boulons à trous horizontaux 113 pièces</p>	<p><b>C</b></p>  <p>Ø8 x 30 mm Wood dowel 60pcs Cheville en bois 60 pièces</p>
<p><b>D</b></p>  <p>D13 x Ø1/4" x 70 mm Hex-Head bolts 32pcs Boulons à tête hexagonale 32 pièces</p>	<p><b>E</b></p>  <p>Led Light - 1set Lumière LED - 1 ensemble</p>	<p><b>F</b></p>  <p>Hinge 11pcs Charnières 11 pièces</p>
<p><b>G</b></p>  <p>Ø1/4" x 120 mm Hex-Head bolts 4pcs Boulons à tête hexagonale 4 pièces</p>	<p><b>H</b></p>  <p>D13 x Ø1/4" x 60 mm Hex-Head bolts 47pcs Boulons à tête hexagonale 47 pièces</p>	<p><b>I</b></p>  <p>Cam Bolt-2pcs Boulon à came - 2 pièces</p>
<p><b>J</b></p>  <p>Cam Lock-2pcs Serrure à came - 2 pièces</p>	<p><b>K</b></p>  <p>M3.5 x 12 mm Wood Screws 12pcs Vis à bois 12 pièces</p>	<p><b>L</b></p>  <p>M4 x 15 mm Wood Screws 46pcs Vis à bois 46 pièces</p>
<p><b>M</b></p>  <p>Metal straight link-2pcs Maillon droit en métal - 2 pièces</p>	<p><b>N</b></p>  <p>Piston -2pcs Piston - 2 pièces</p>	<p><b>O</b></p>  <p>Nut-4pcs Écrou - 4 pièces</p>
<p><b>P</b></p>  <p>Metal corner link-1pc Lien d'angle en métal - 1 pièce</p>	<p><b>Q</b></p>  <p>Metal corner link-1pc Lien d'angle en métal - 1 pièce</p>	<p><b>R</b></p>  <p>M4 x 15 mm Wood Screws 44pcs Vis à bois 44 pièces</p>
<p><b>S</b></p>  <p>Angle Metal - 4pcs Angle en métal - 4 pièces</p>	<p><b>T</b></p>  <p>M4 x 20 mm Wood Screws 10pcs Vis à bois 10 pièces</p>	<p><b>U</b></p>  <p>Ø1/3" x 40 mm Hex-Head bolts 2pcs Boulons à tête hexagonale 2 pièces</p>

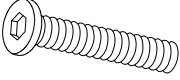
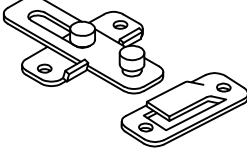
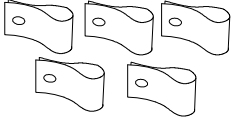
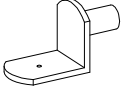
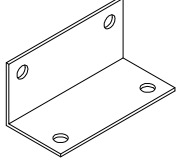
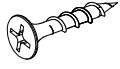
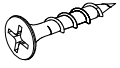
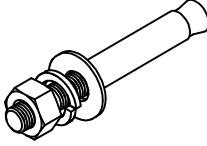
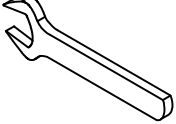
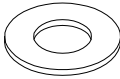
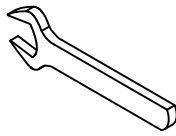
# Hardware List (Box 1-N708P431273)

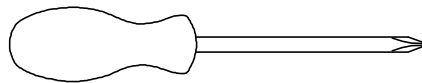
## Liste du matériel

<p><b>V</b></p>  <p>Ø1/4" x 15 mm T-nut 4pcs Écrou en T 4 pièces</p>	<p><b>W</b></p>  <p>D13 x Ø1/4" x 40 mm Hex-Head bolts 2pcs Boulons à tête hexagonale 2 pièces</p>	<p><b>X</b></p>  <p>Ø20 / Ø6 x 2 mm Washer 6pcs Rondelle 6 pièces</p>
<p><b>Y</b></p>  <p>Handle - 2pcs Poignée - 2 pièces</p>	<p><b>Z</b></p>  <p>Bolt Ø1/6" x 25 mm 4pcs Boulon-4pcs</p>	<p><b>AA</b></p>  <p>Bolt Ø1/6" x 25 mm-8pcs Wood Handle - 8pcs Manche en bois - 8 pièces</p>
<p><b>BA</b></p>  <p>M4 x 30 mm Wood Screws 46pcs Vis à bois 46 pièces</p>	<p><b>CA</b></p>  <p>M5 x 50 mm Wood Screws 14pcs Vis à bois 14 pièces</p>	<p><b>DA</b></p>  <p>Angle Metal - 5pcs Angle en métal - 5 pièces</p>
<p><b>EA</b></p>  <p>Screws D13 x 1/4" x35 -41pcs Vis-41pcs</p>	<p><b>GA</b></p>  <p>Magnet Door Catcher 1pc Attrape-porte magnétique-1pc</p>	<p><b>KA</b></p>  <p>25x25x7x1.2 mm L Angle pat- 2pcs Angle en L - 2 pièces</p>
<p><b>IA</b></p>  <p>Allen Key 4pcs Clé Allen 4 pièces</p>	<p><b>LA</b></p>  <p>M3 x 15 mm Wood Screws 62pcs Vis à bois 62 pièces</p>	<p><b>MA</b></p>  <p>M4 x 35 mm Wood Screws 18pcs Vis à bois 18 pièces</p>
<p><b>JA</b></p>  <p>M4 x 40 mm Wood Screws 13pcs Vis à bois 13 pièces</p>	<p><b>UA</b></p>  <p>M4 x 35 mm Wood Screws 8pcs Vis à bois 8 pièces</p>	<p><b>QA</b></p>  <p>D13 x Ø1/4" x 90 mm Hex-Head bolts 12pcs Boulons à tête hexagonale 12 pièces</p>
<p><b>RA</b></p>  <p>Screws D13 x 1/4" x70 6pcs Vis-6pcs</p>	<p><b>NA</b></p>  <p>Power supply-1pc Alimentation électrique-1pc</p>	<p><b>SA</b></p>  <p>M4 x 25 mm Wood Screws 16pcs Vis à bois 16 pièces</p>

# Hardware List (Box 1-N708P431273)

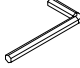


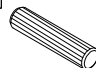

## Liste du matériel

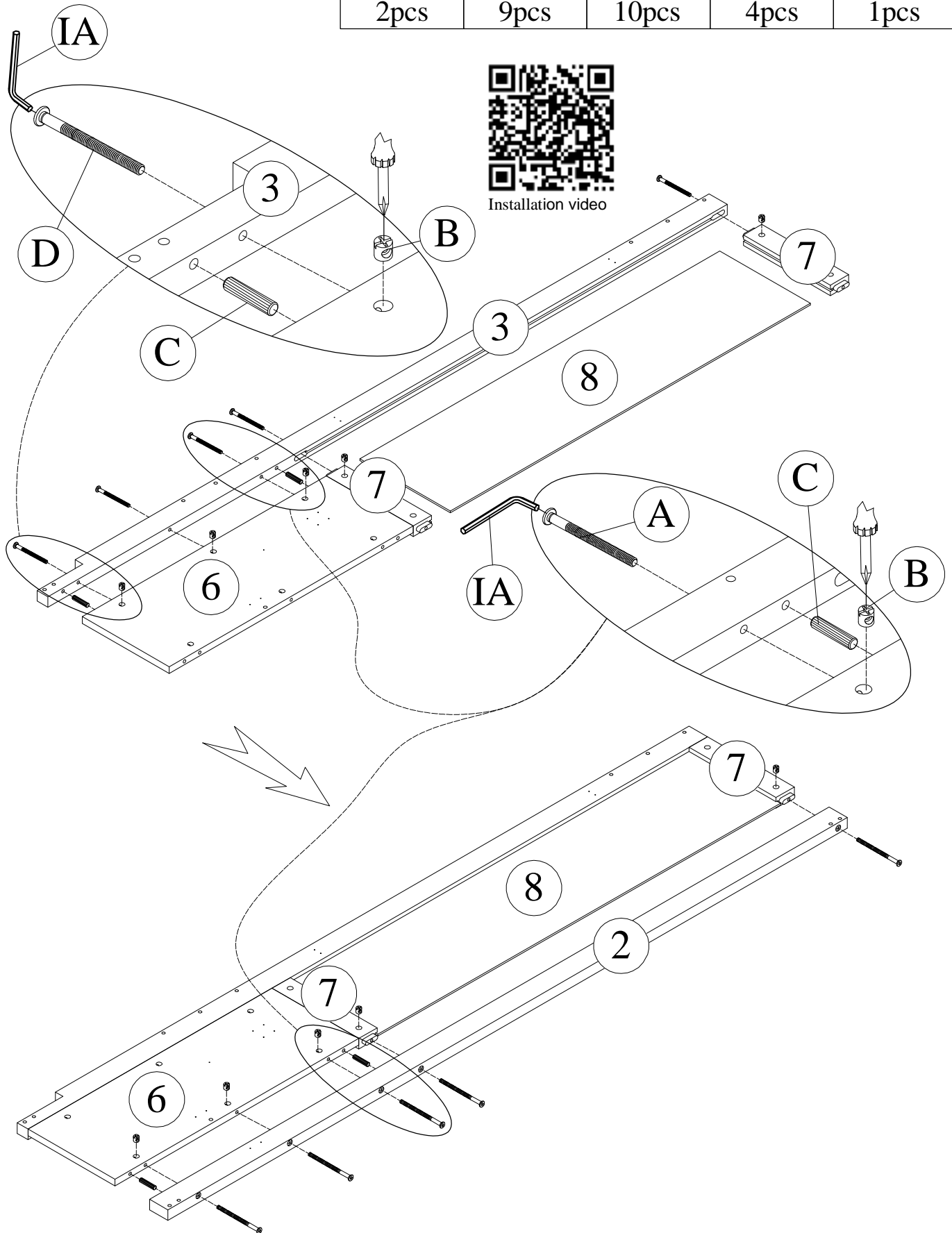
<p><b>WA</b></p>  <p>D13 x Ø1/4" x 30 mm Hex-Head bolts 2pcs Boulons à tête hexagonale 2 pièces</p>	<p><b>TA</b></p>  <p>Metal link-2pcs Lien métallique - 2 pièces</p>	<p><b>PA</b></p>  <p>Screw mount - 5pcs Collier de fixation-5 pcs</p>
<p><b>XA</b></p>  <p>Ø6 x 8 mm Wood Screws 4pcs Vis à bois 4 pièces</p>	<p><b>YA</b></p>  <p>Angle Metal - 1pc Angle en métal</p>	<p><b>ZA</b></p>  <p>M3.5 x 12 mm Wood Screws 6pcs Vis à bois 6 pièces</p>
<p><b>FA</b></p>  <p>M4 x 25 mm Wood Screws 20pcs Vis à bois 20 pièces</p>	<p><b>BB</b></p>  <p>Ø6 x 65mm Iron wall socket - 14pcs</p>	<p><b>AC</b></p>  <p>K10 Wrench - 1pc</p>
<p><b>BC</b></p>  <p>Ø18 / Ø6 x 1.5 mm Iron Washer 14pcs</p>	<p><b>CC</b></p>  <p>K13 Wrench - 1pc</p>	



**Assembly Tools Required (Not Included)**  
**Outils d'assemblage requis (non inclus)**

# STEP-ÉTAPE-1

IA	A	B	C	D
				
2pcs	Ø1/4"x100	Ø1/4"x12	Ø8"x30	Ø1/4"x70
	9pcs	10pcs	4pcs	1pcs

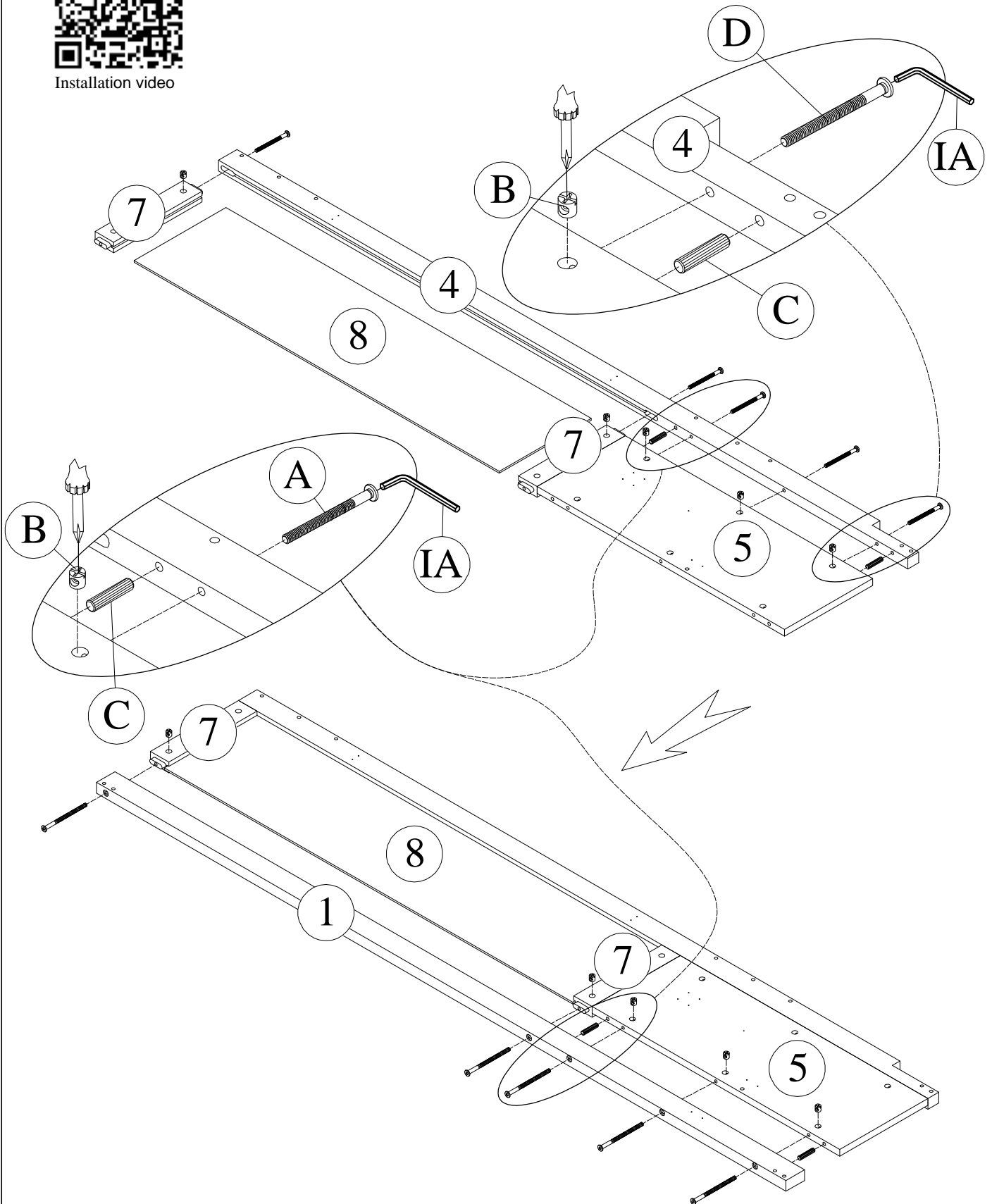


# STEP-ÉTAPE-2



Installation video

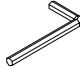


IA	A	B	C	D
2pcs	Ø1/4"x100	Ø1/4"x12	Ø8"x30	Ø1/4"x70
	9pcs	10pcs	4pcs	1pcs

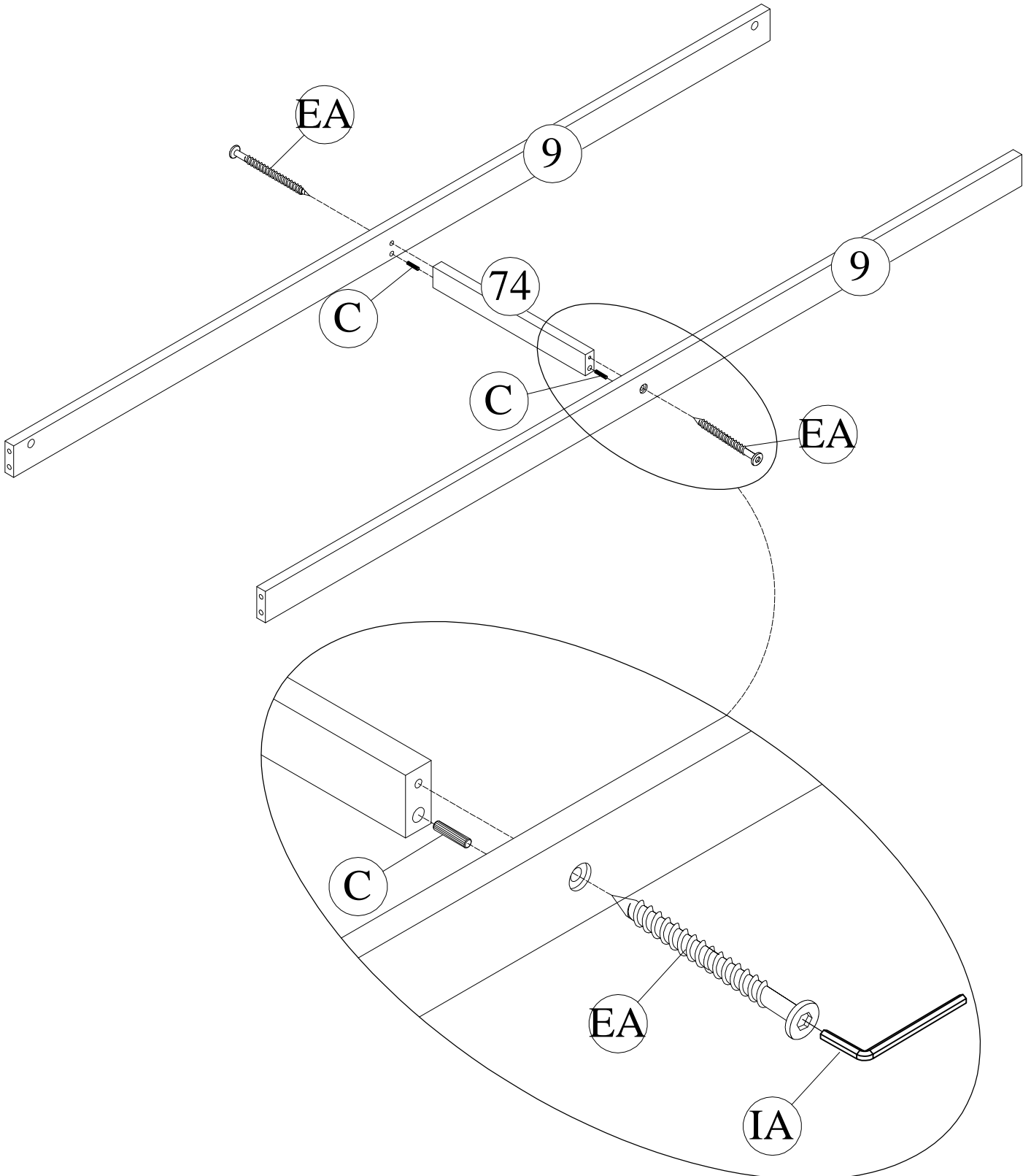


# STEP-ÉTAPE-3



Installation video




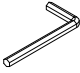
IA	EA	C
	 Ø1/4"x35	 Ø8"x30
2pcs	2pcs	2pcs

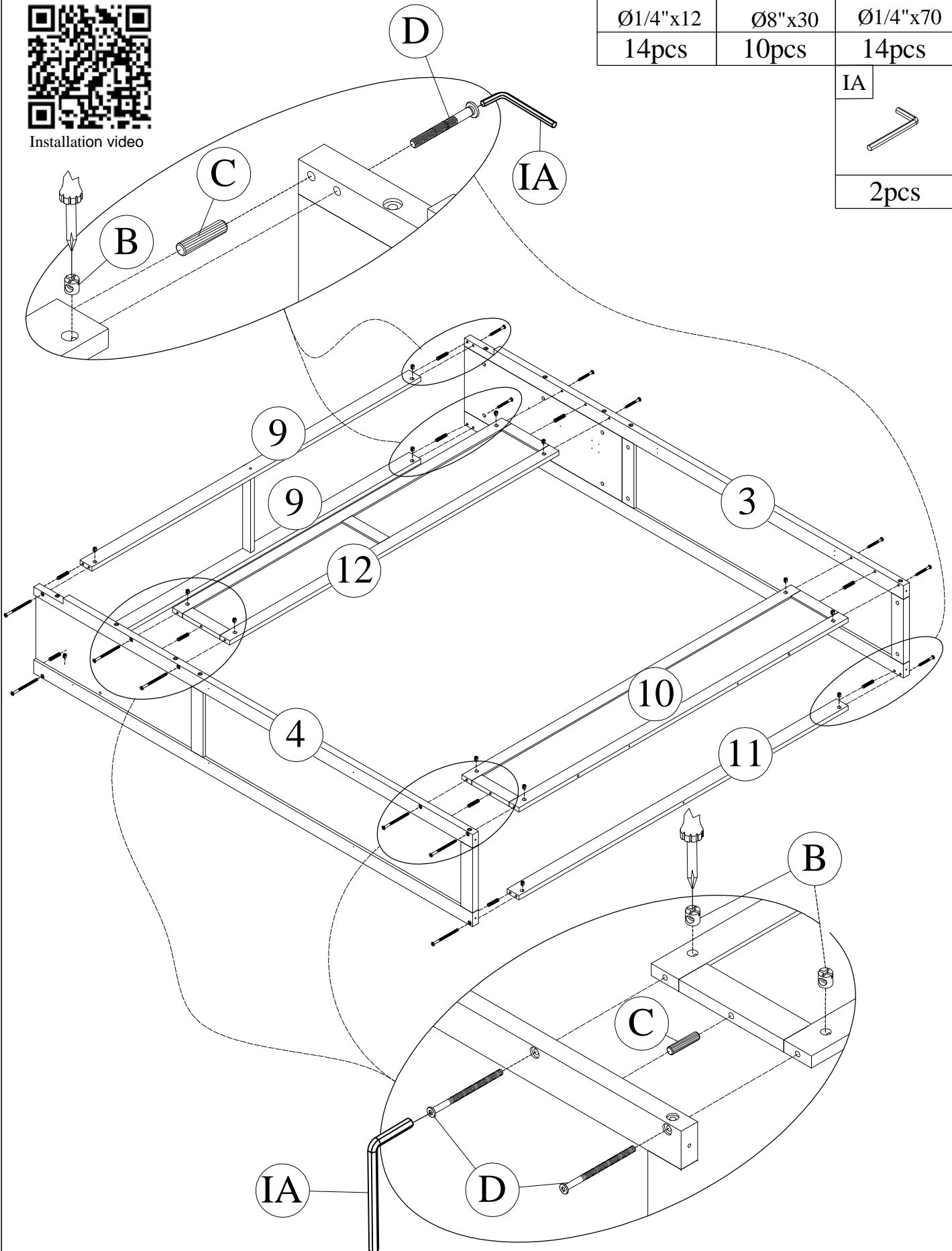


# STEP-ÉTAPE-4

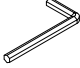



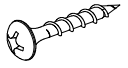


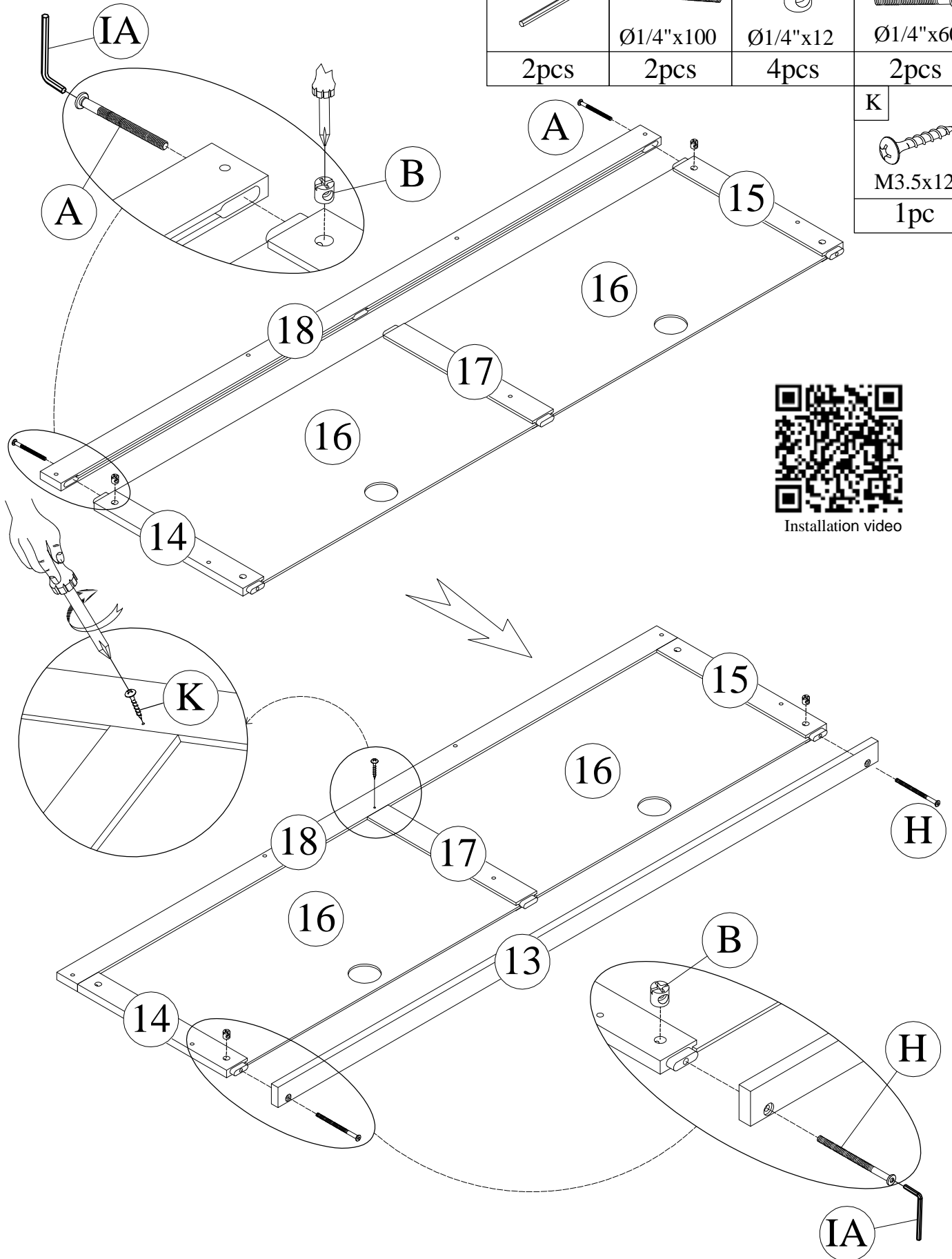
Installation video

<b>B</b>  $\text{Ø}1/4" \times 12$ 14pcs	<b>C</b>  $\text{Ø}8" \times 30$ 10pcs	<b>D</b>  $\text{Ø}1/4" \times 70$ 14pcs
<b>IA</b>  2pcs		



# STEP-ÉTAPE-5

IA	A	B	H
			
2pcs	Ø1/4"x100 2pcs	Ø1/4"x12 4pcs	Ø1/4"x60 2pcs
			K
			
			M3.5x12 1pc

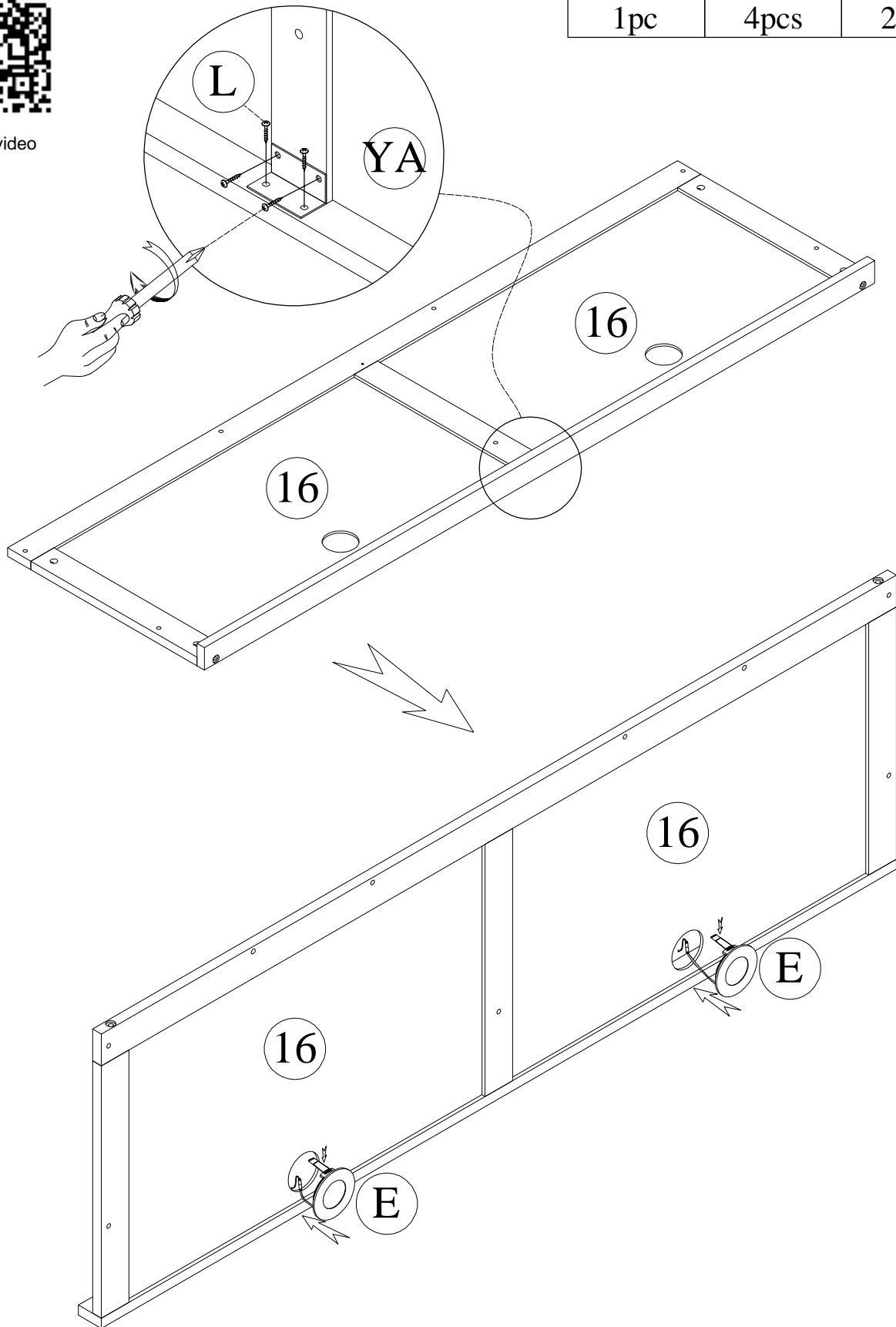


# STEP-ÉTAPE-6



Installation video

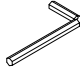


YA	L	E
1pc	4pcs	2pcs

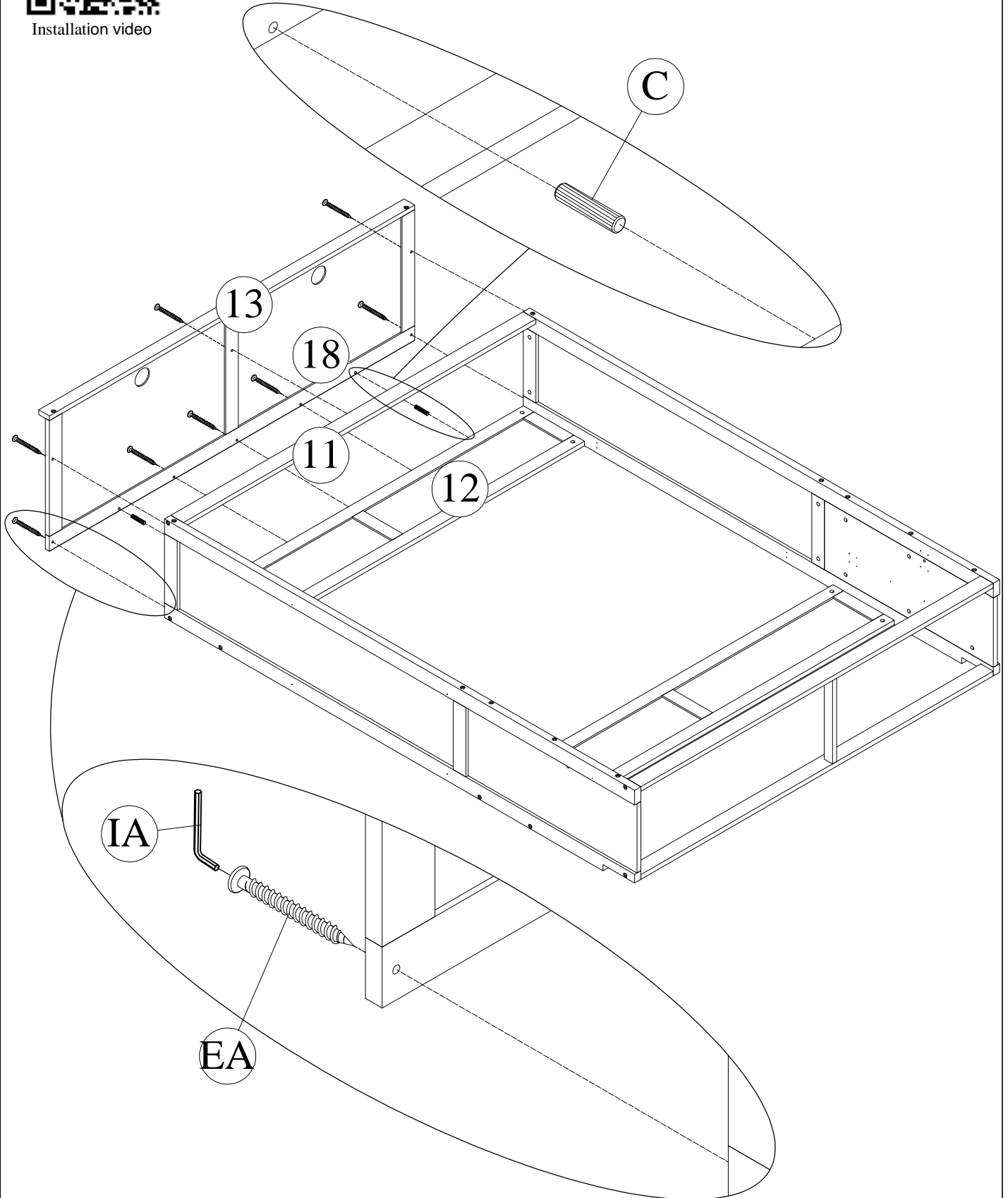


# STEP-ÉTAPE-7



Installation video

IA	C	EA
	 Ø8"x30	 Ø1/4"x35
2pcs	2pcs	8pcs

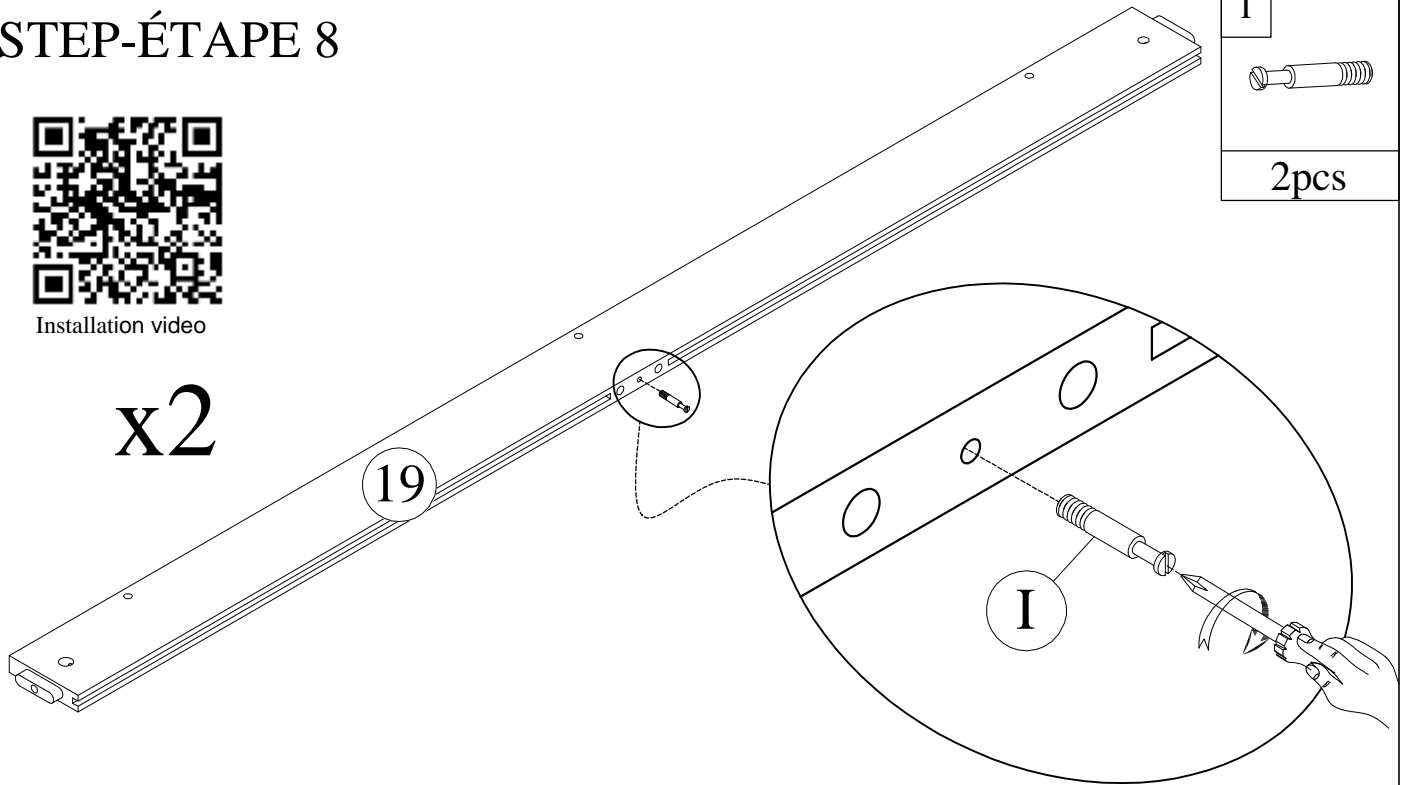



# STEP-ÉTAPE 8



Installation video

x2

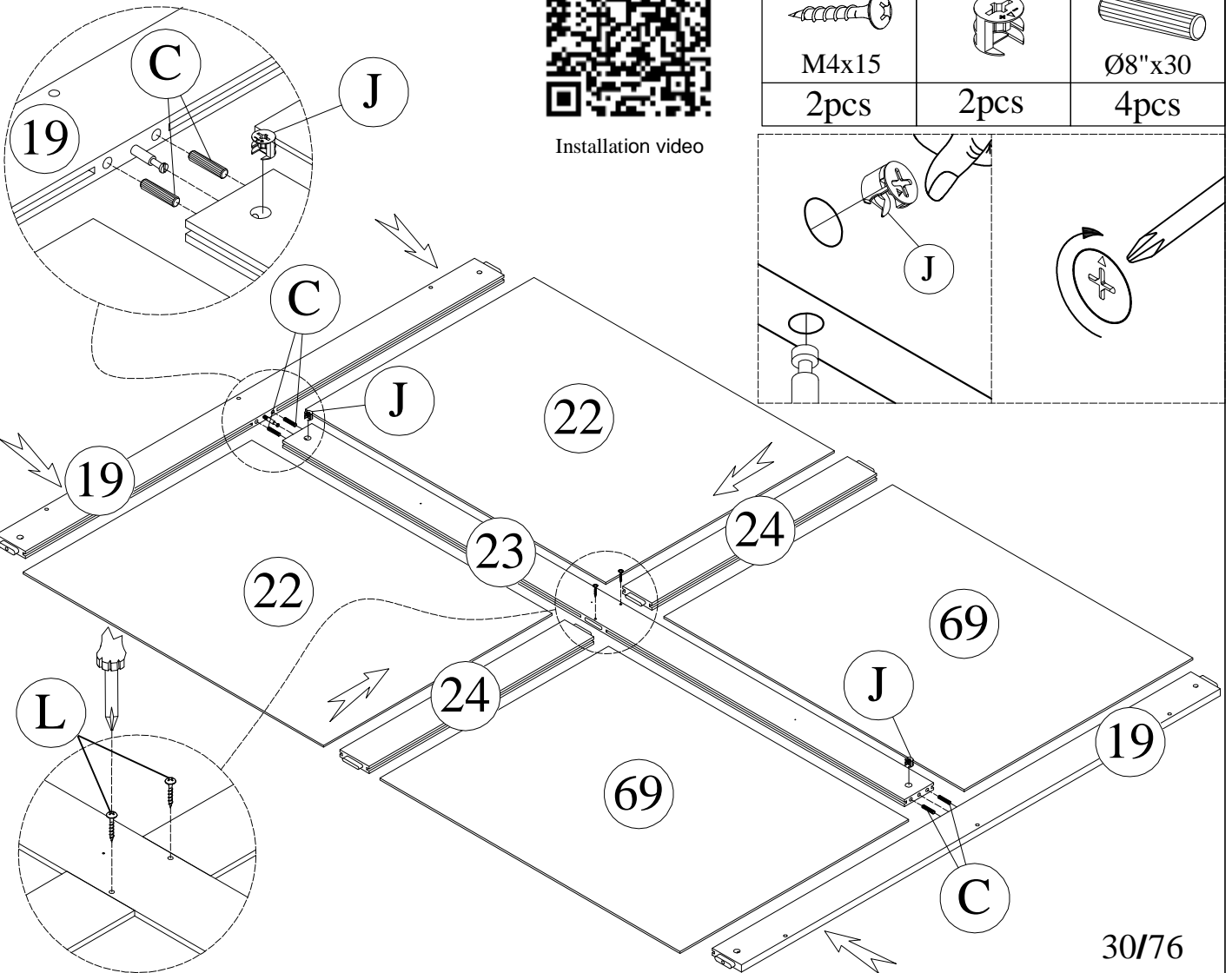




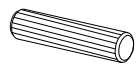
I	
2pcs	

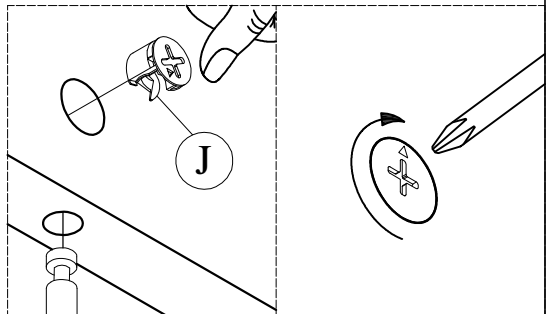
# STEP-ÉTAPE 9



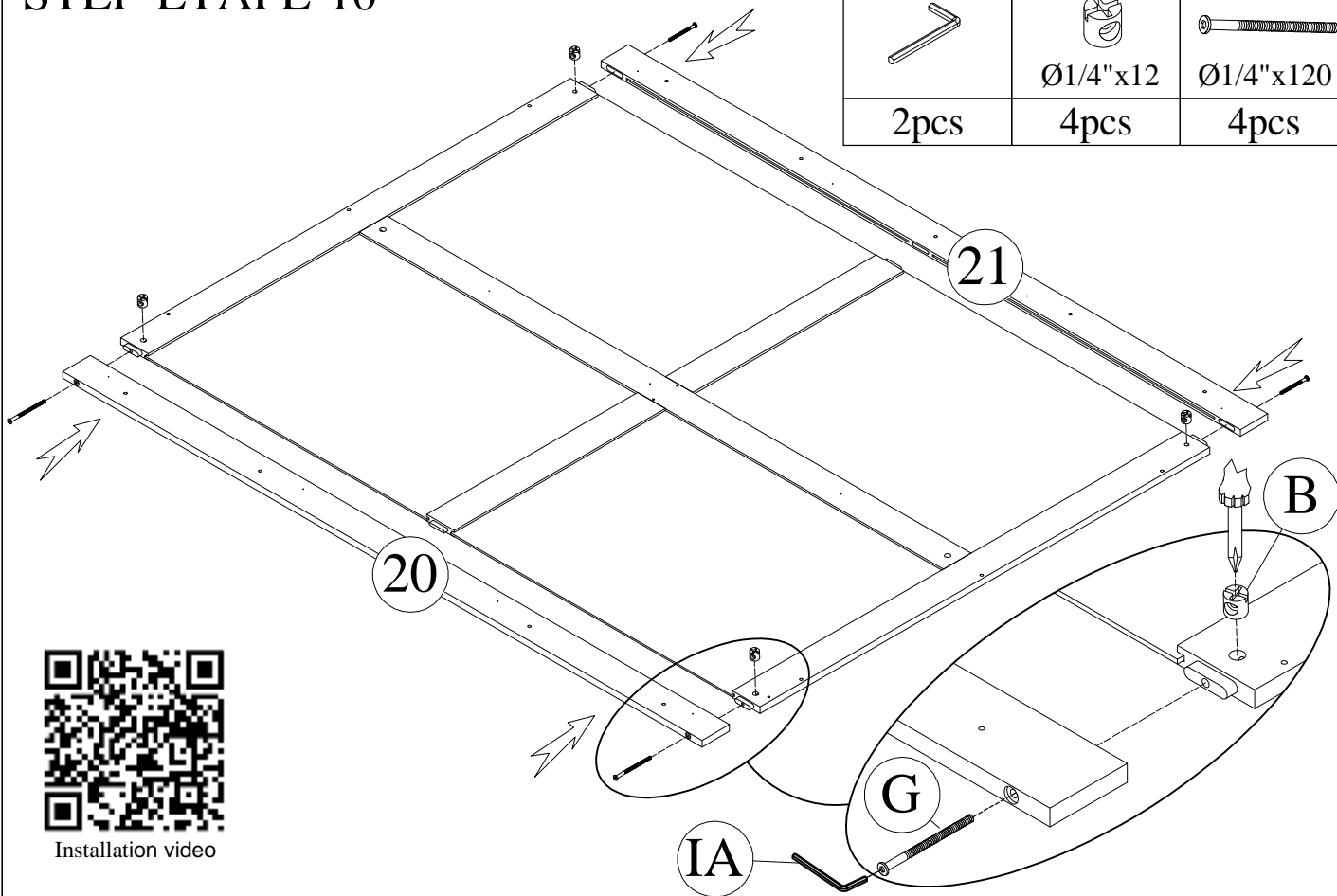
Installation video



L	J	C
		
M4x15		Ø8"x30
2pcs	2pcs	4pcs



# STEP-ÉTAPE-10

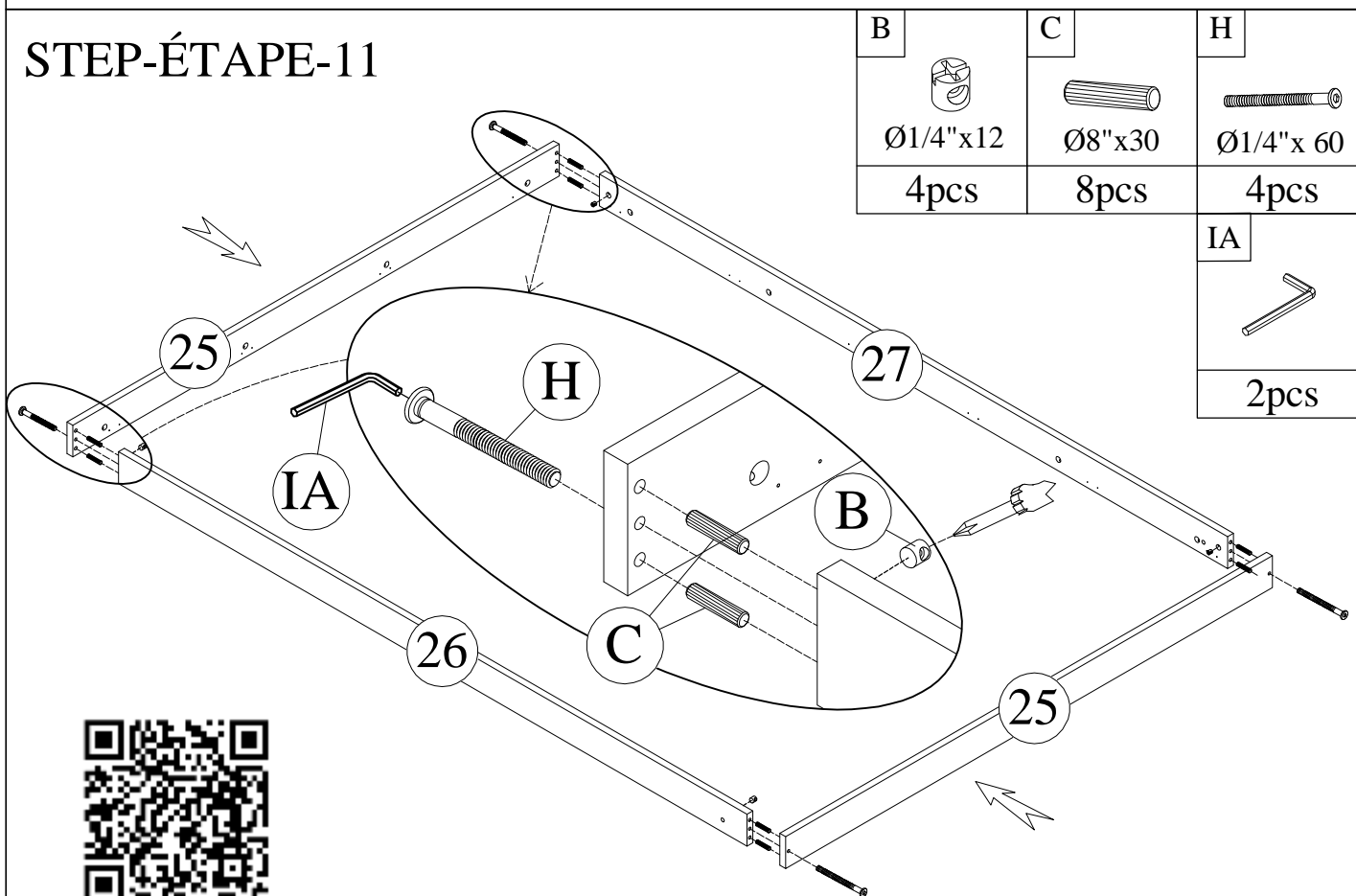


IA	B	G
	 Ø1/4"x12	 Ø1/4"x120
2pcs	4pcs	4pcs



Installation video

# STEP-ÉTAPE-11

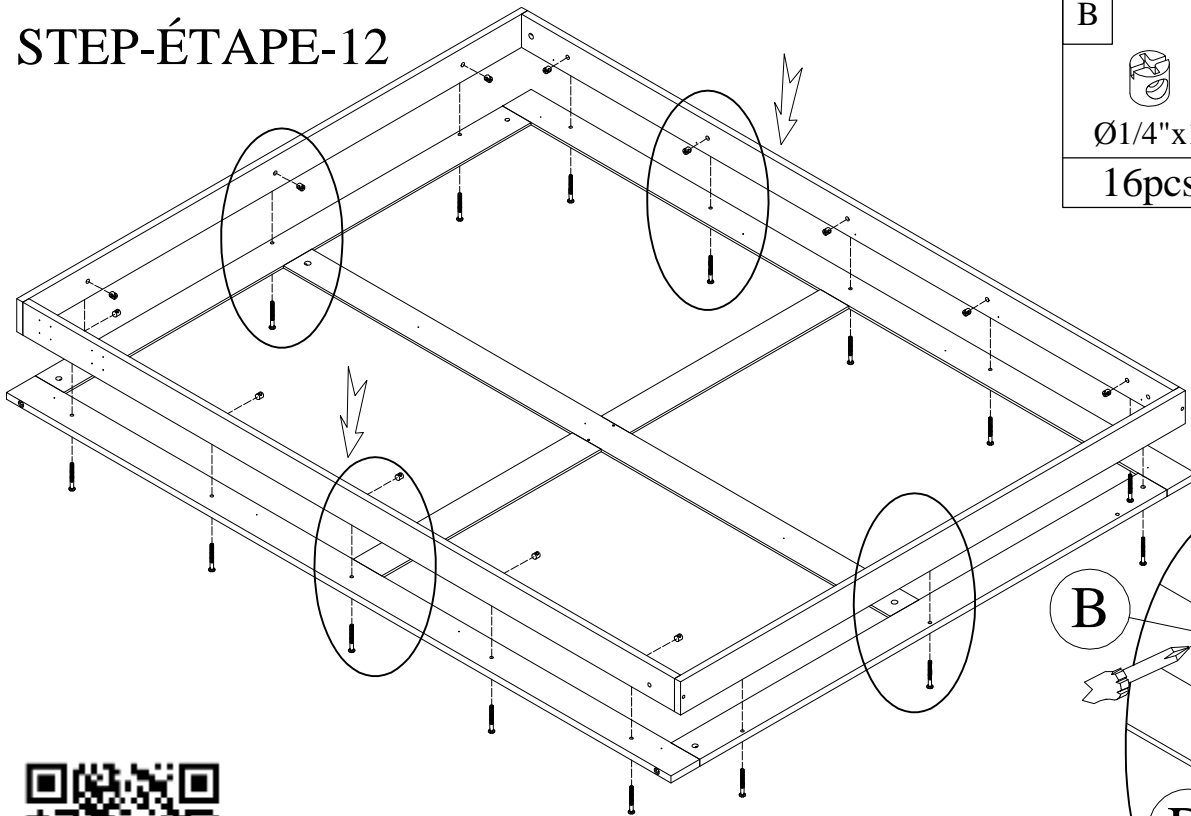





B	C	H
 Ø1/4"x12	 Ø8"x30	 Ø1/4"x 60
4pcs	8pcs	4pcs
IA		
2pcs		

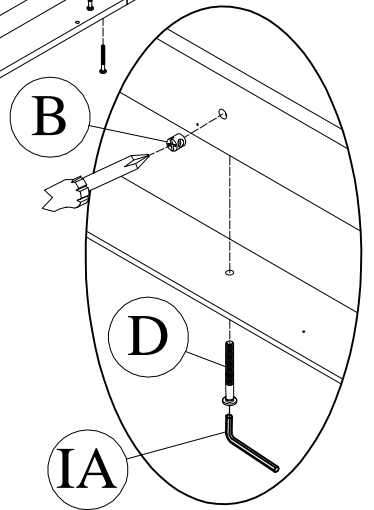


Installation video

# STEP-ÉTAPE-12

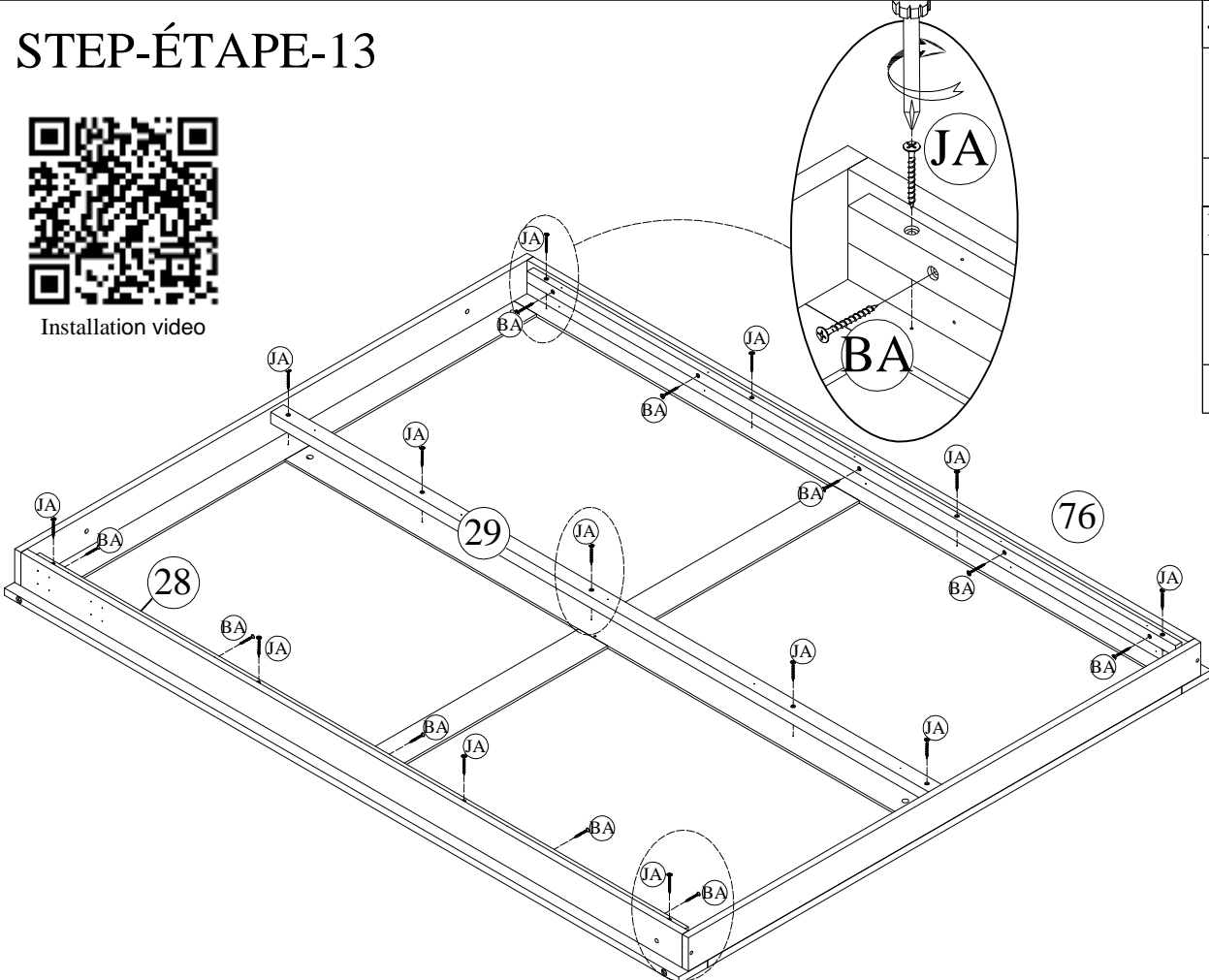



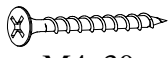
<b>B</b>	 Ø1/4"x12 16pcs	<b>D</b>	 Ø1/4"x70 16pcs
		<b>IA</b>	 2pcs

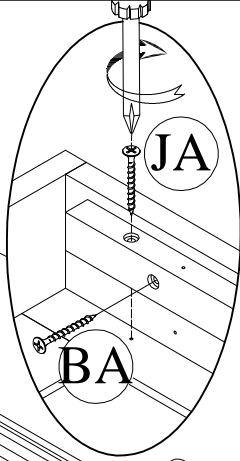


Installation video

# STEP-ÉTAPE-13

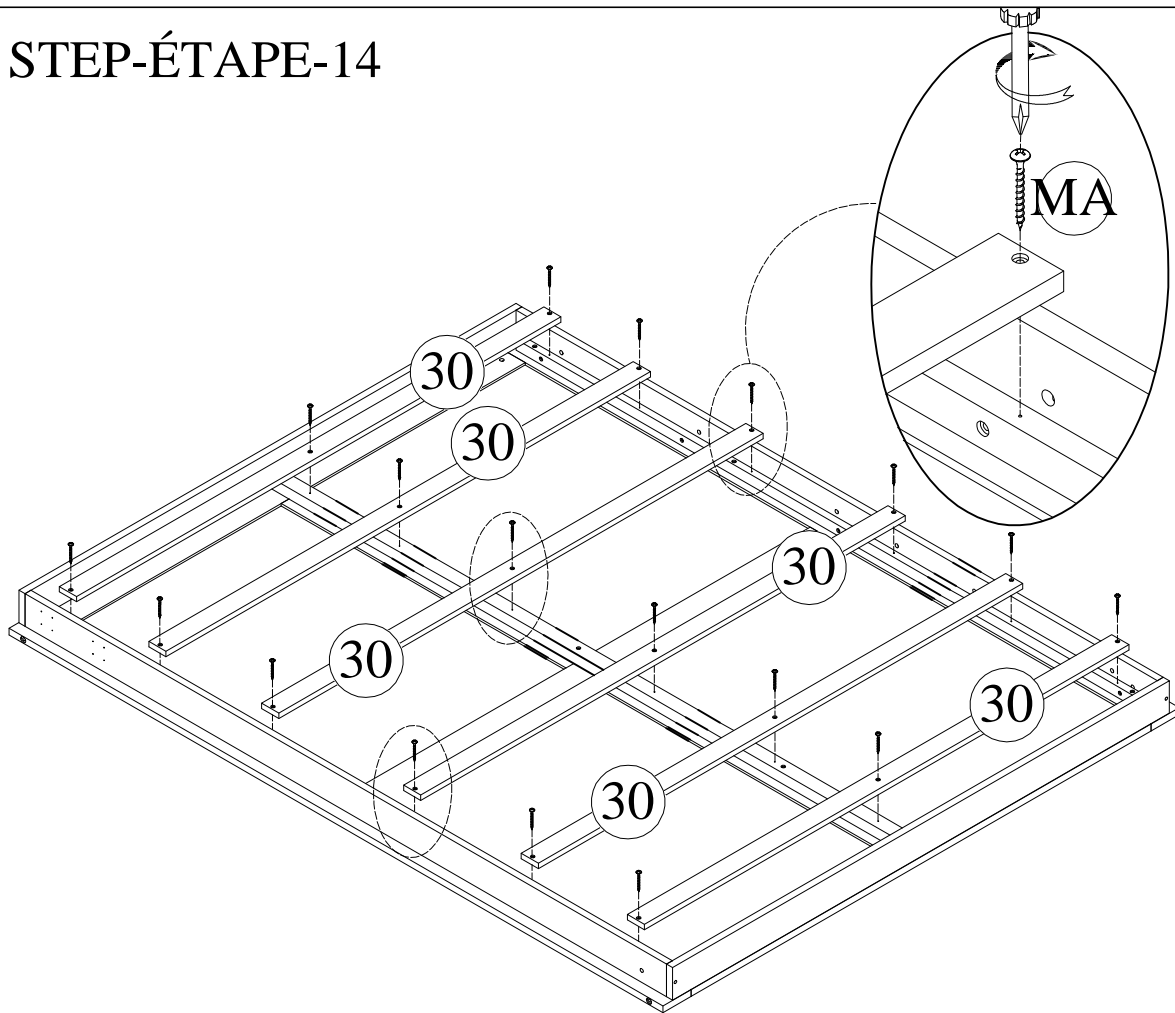


<b>JA</b>	 M4x40 13pcs
<b>BA</b>	 M4x30 10pcs

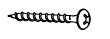


Installation video

# STEP-ÉTAPE-14



MA



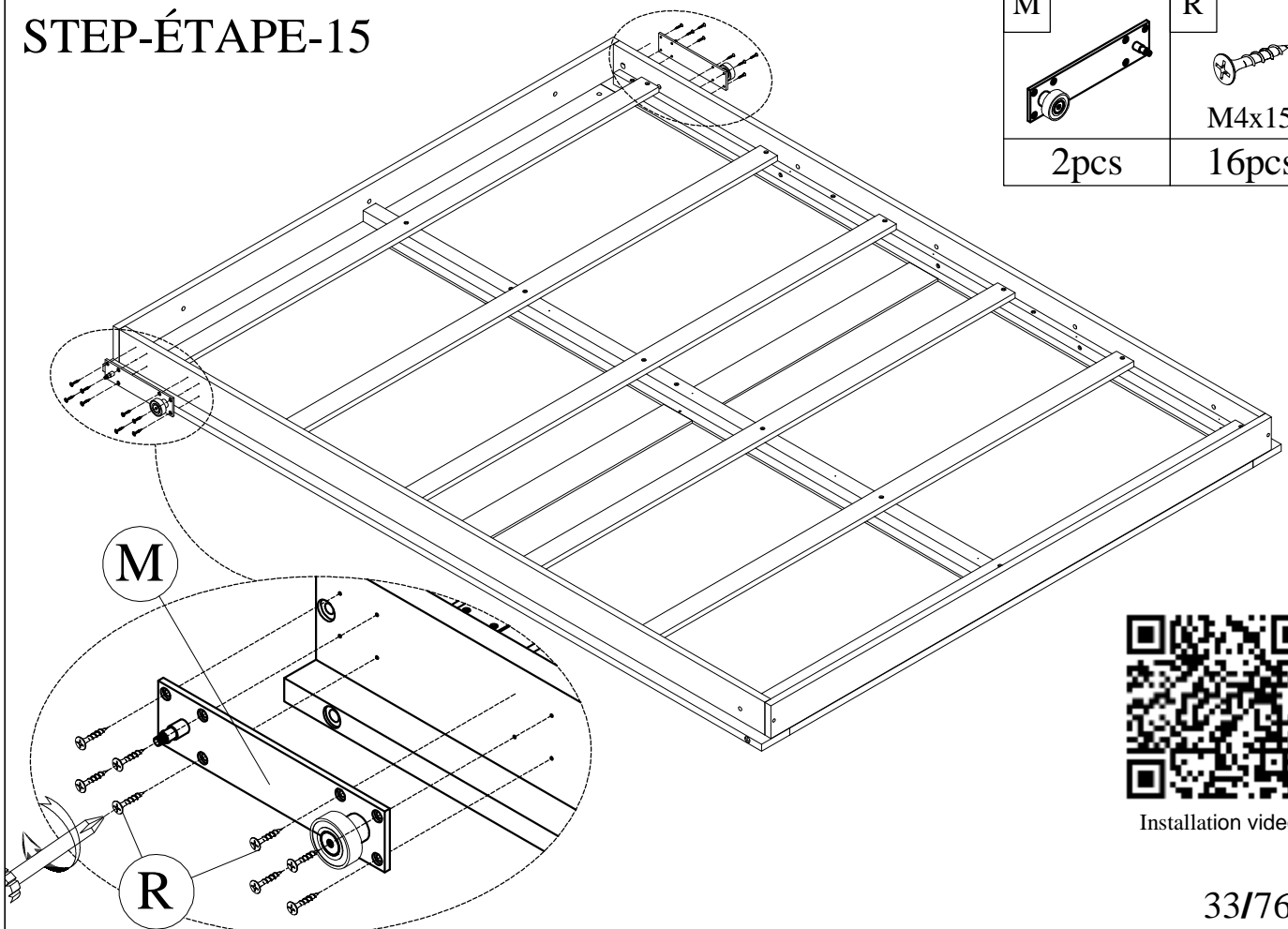
M4x35

18pcs

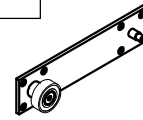


Installation video

# STEP-ÉTAPE-15



M



2pcs

R



M4x15




16pcs

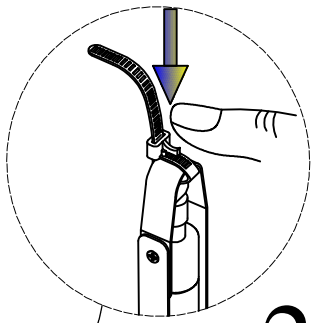
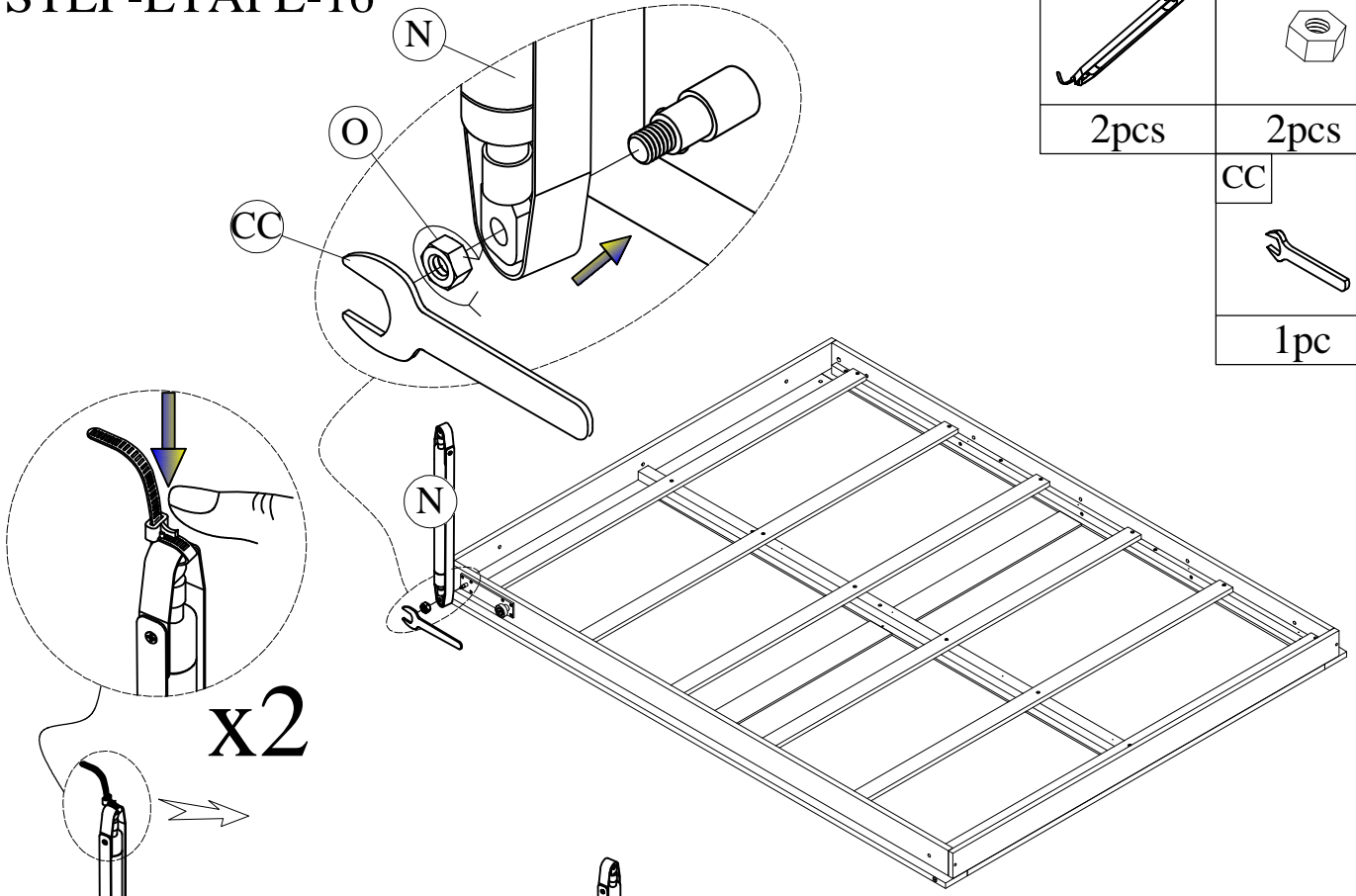


Installation video

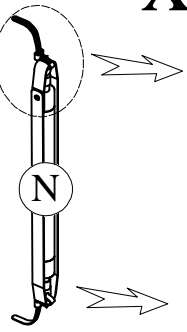
33/76

# STEP-ÉTAPE-16

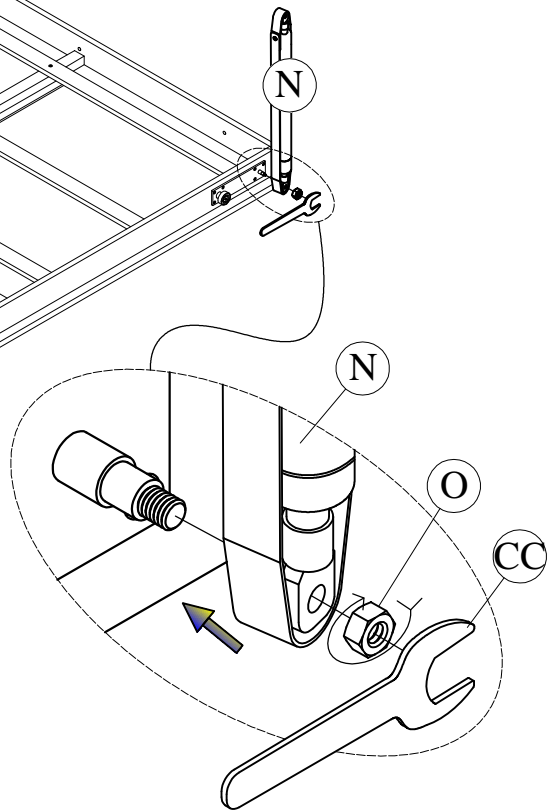
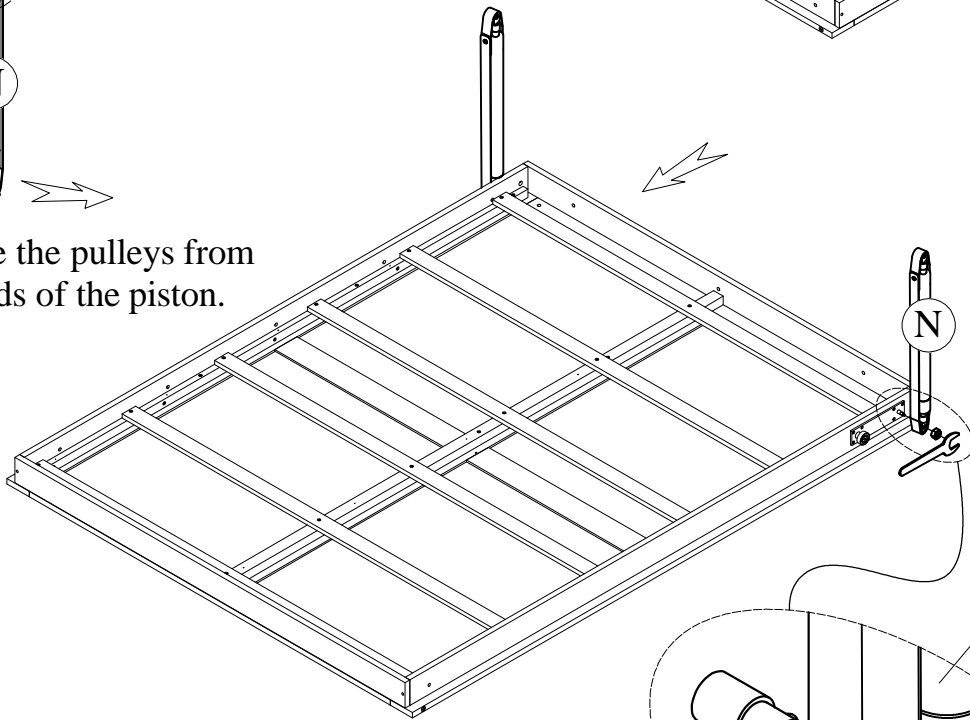
N	O
	
2pcs	2pcs
	CC
	
	1pc



x2


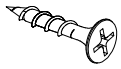


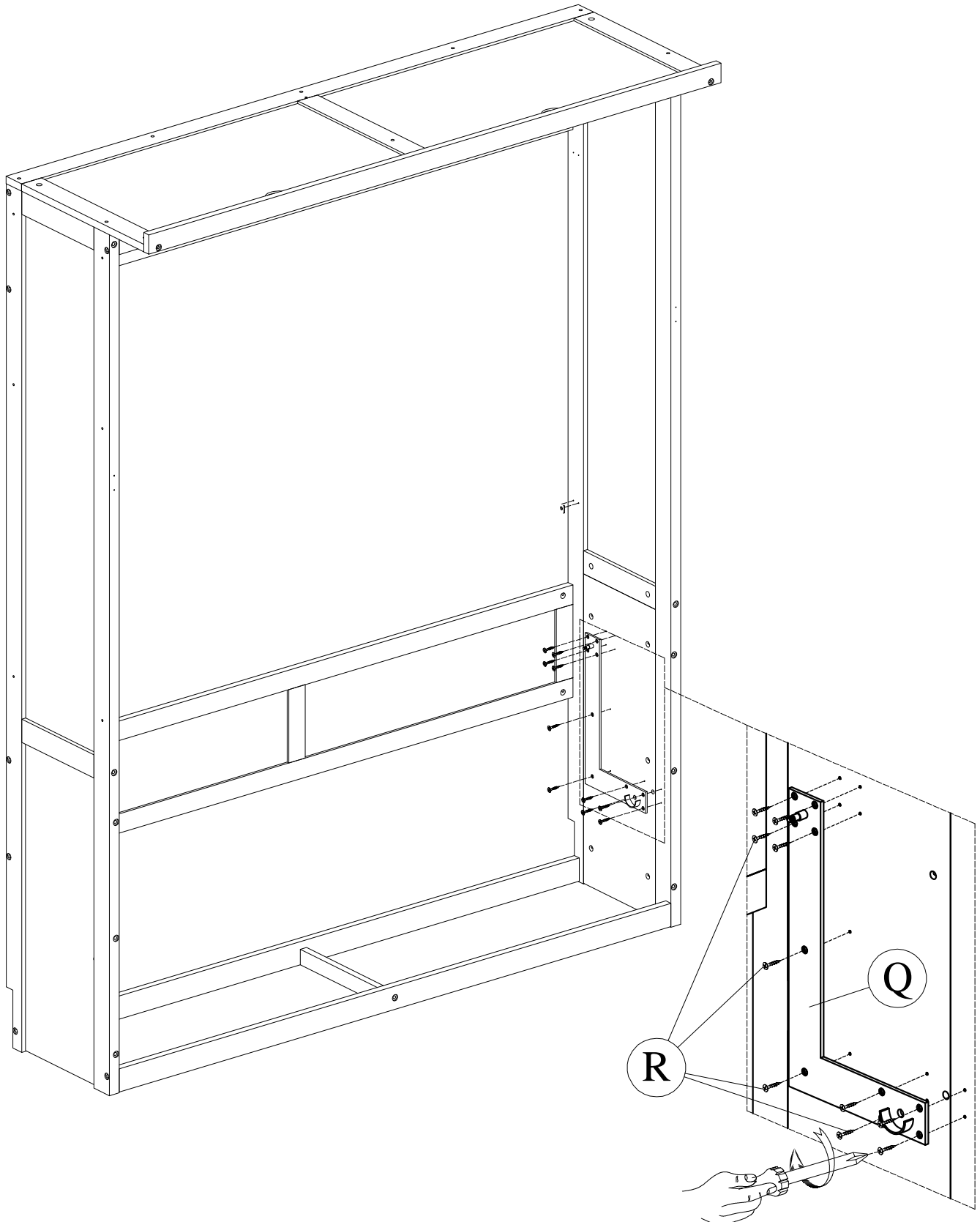
Remove the pulleys from both ends of the piston.



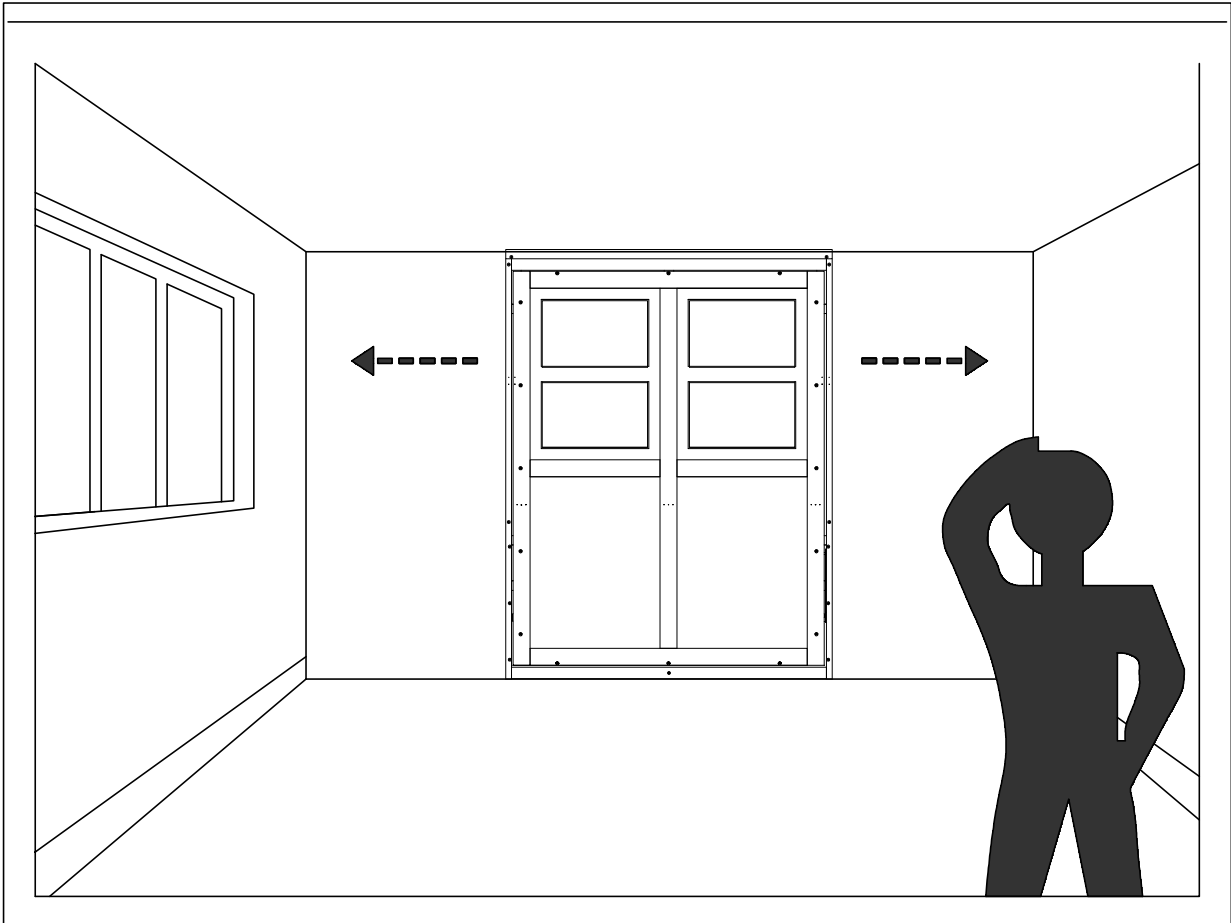


# STEP-ÉTAPE-18

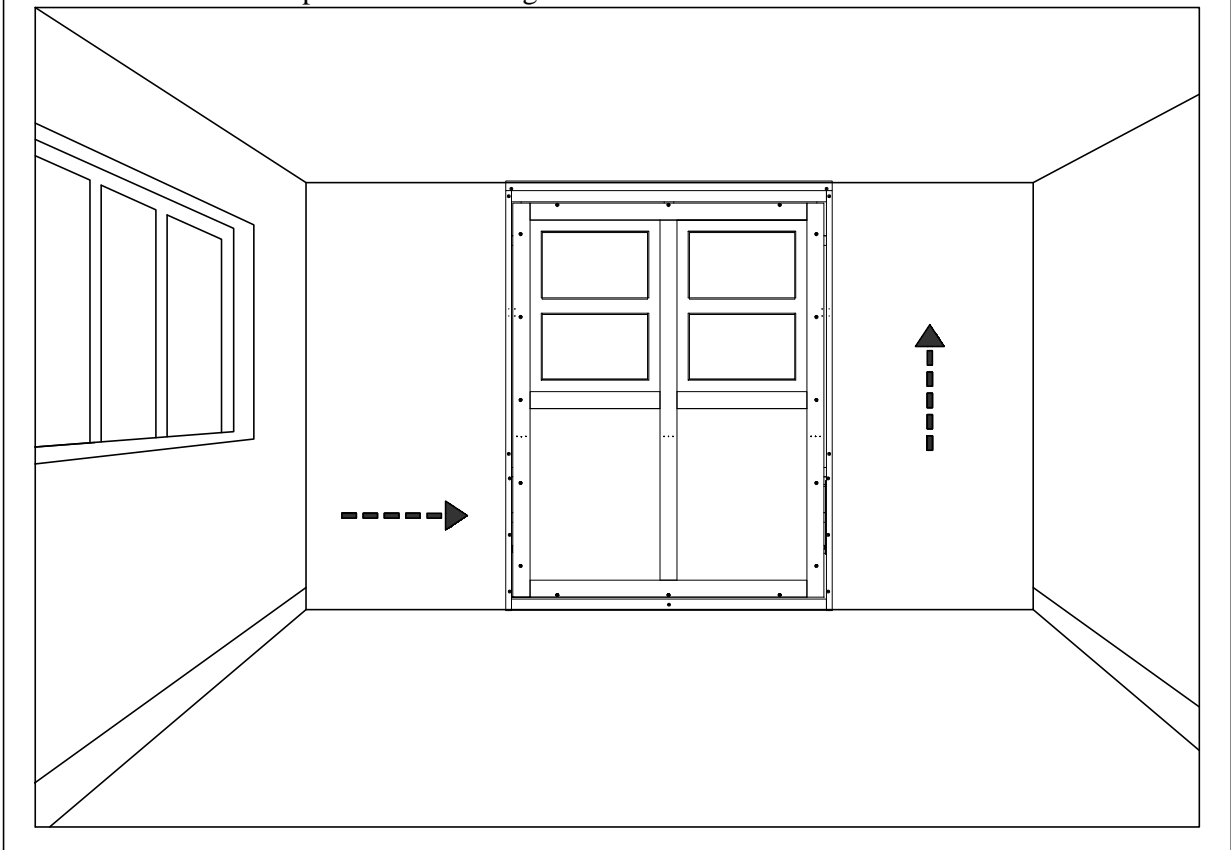
	Q		R
		M4x15	
1pc		10pcs	



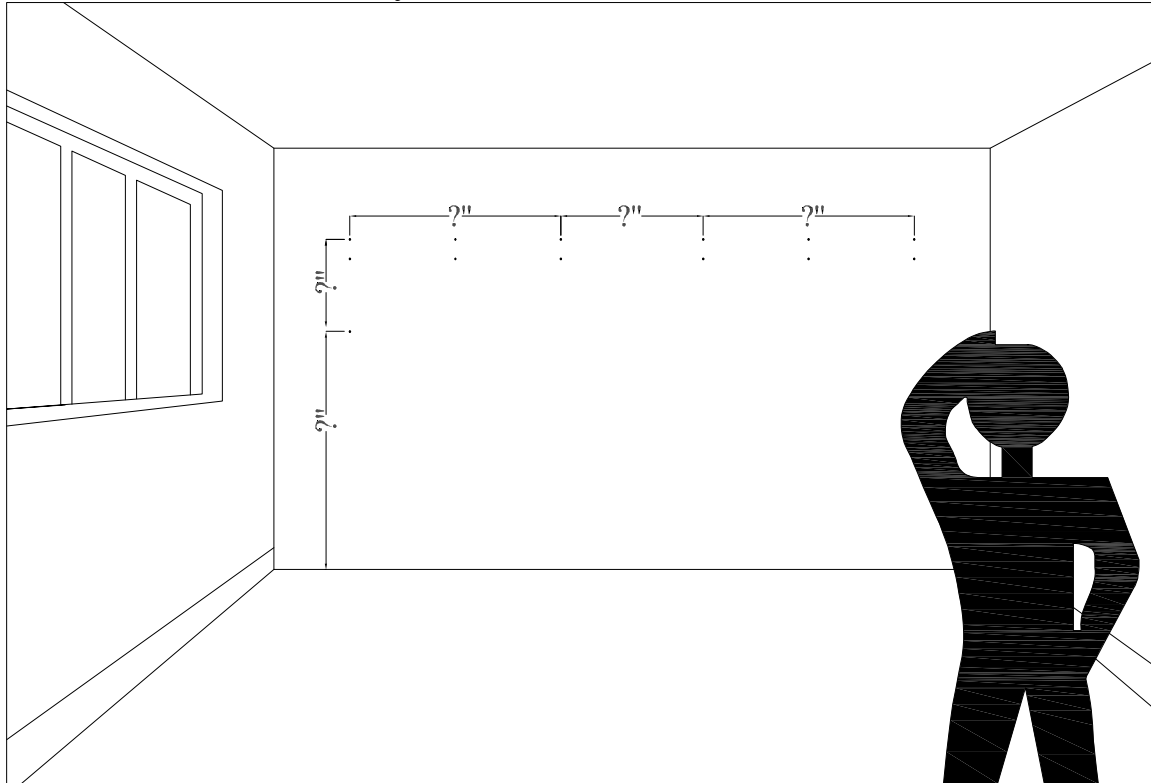
1- Determine the position of the bed in the room.  
1- Déterminez la position du lit dans la chambre.



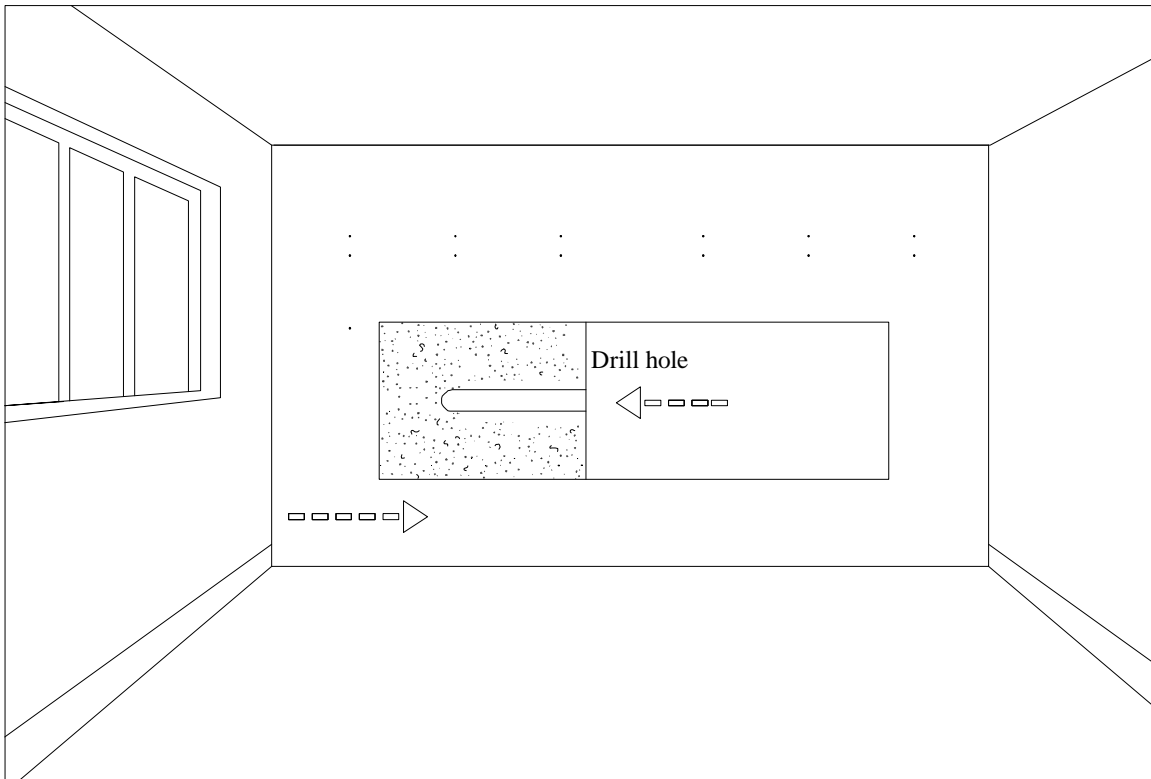
2- Put the bed back in its place. Please keep it vertical and horizontal.  
2- Remettez le lit à sa place. Veuillez le garder vertical et horizontal.



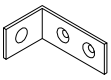
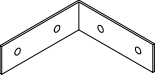
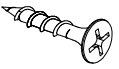
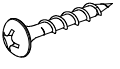
3- Mark the drilling points according to the actual product and the metal brackets already assembled onto the bed.

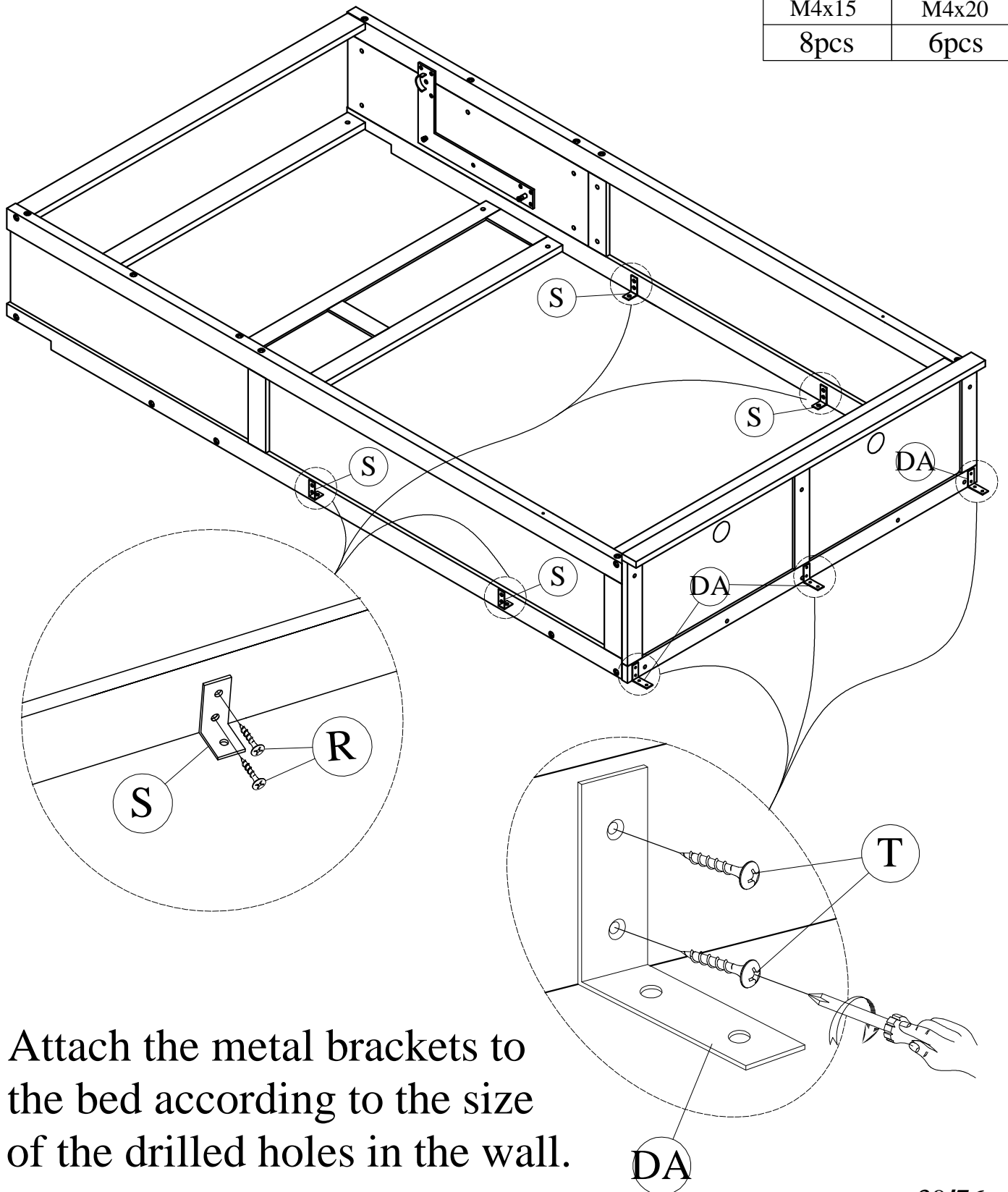


4- Drill holes at the marked points, the holes must be sized to fit the metal anchors.



# STEP-ÉTAPE-19


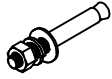
S	DA
	
4pcs	3pcs
R	T
	
M4x15	M4x20
8pcs	6pcs

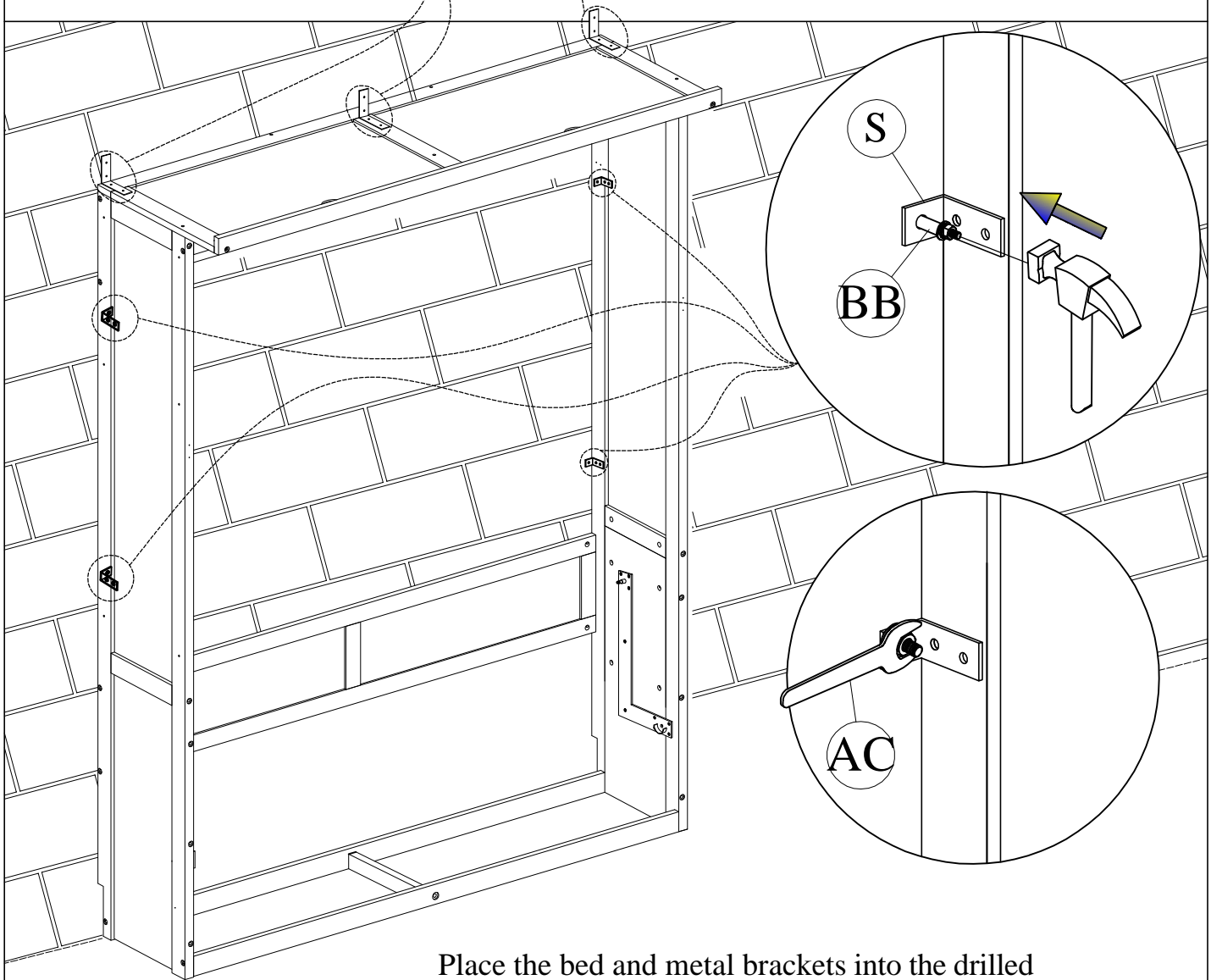
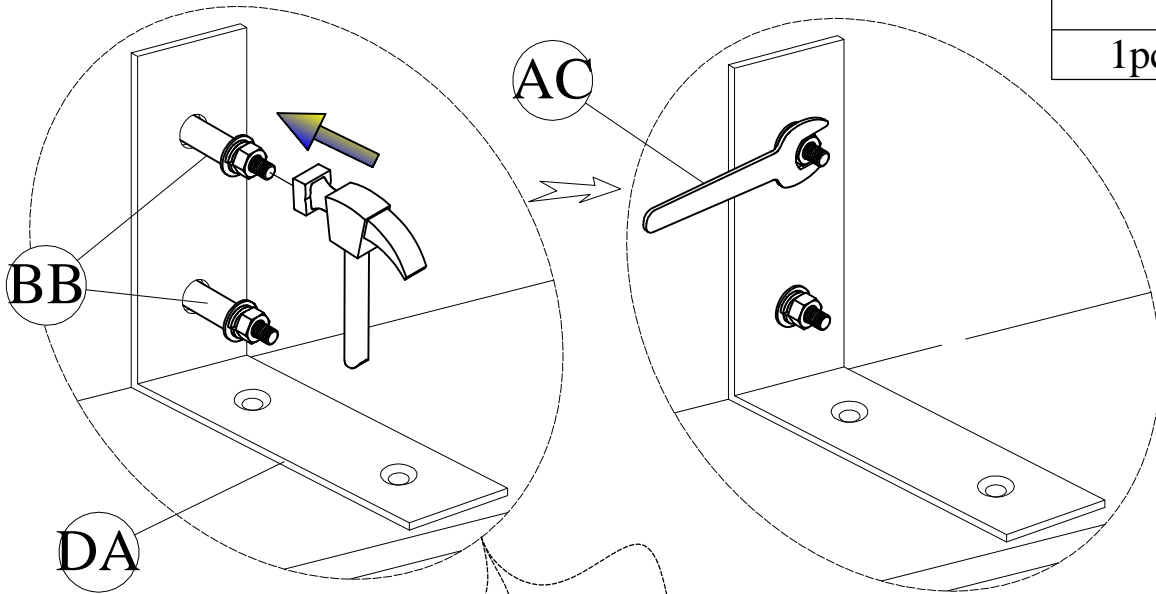


Attach the metal brackets to the bed according to the size of the drilled holes in the wall.

# STEP-ÉTAPE-20

This accessory is for use on brick or concrete walls.


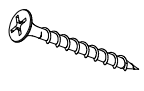
AC	BB
	
1pc	10pcs

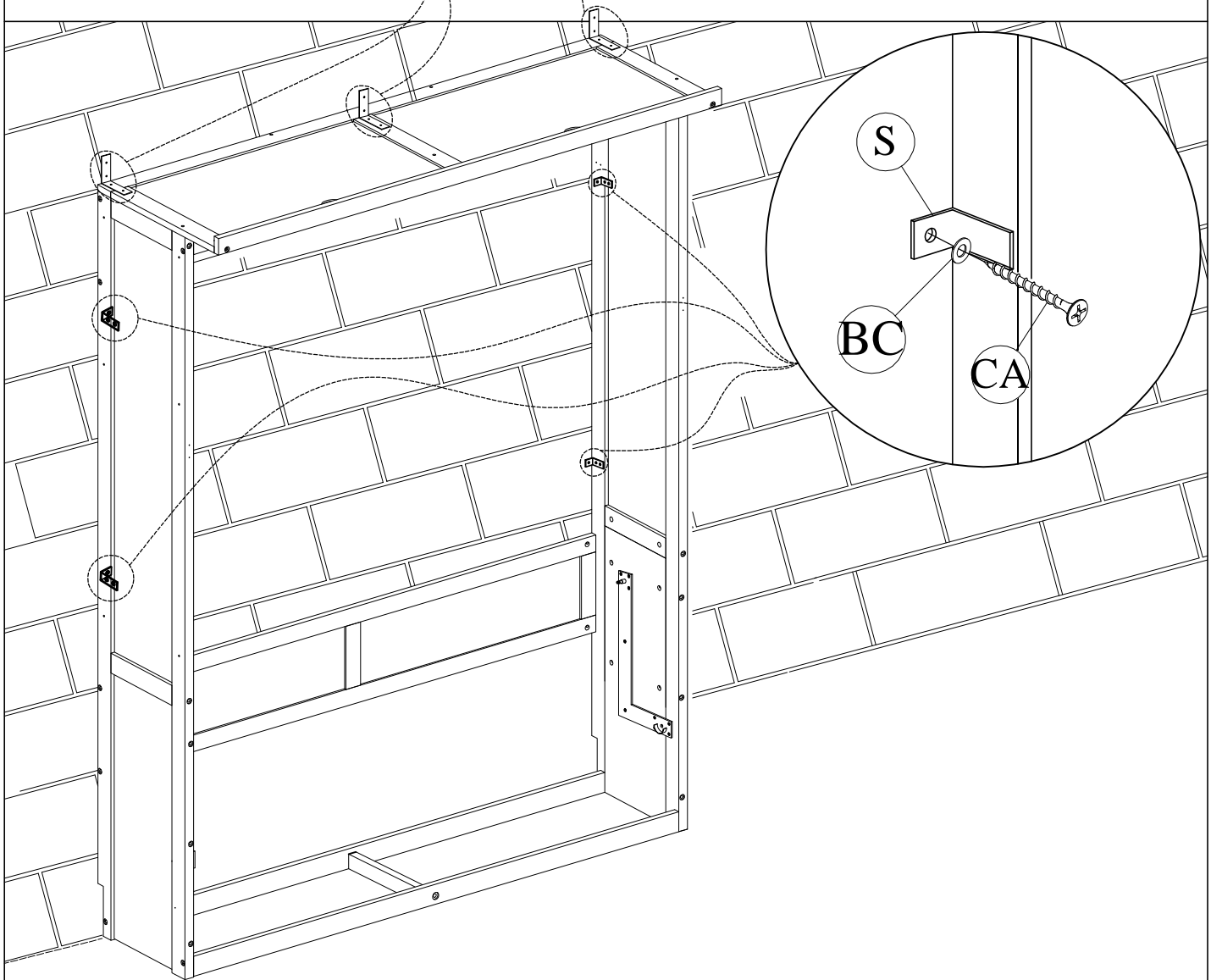
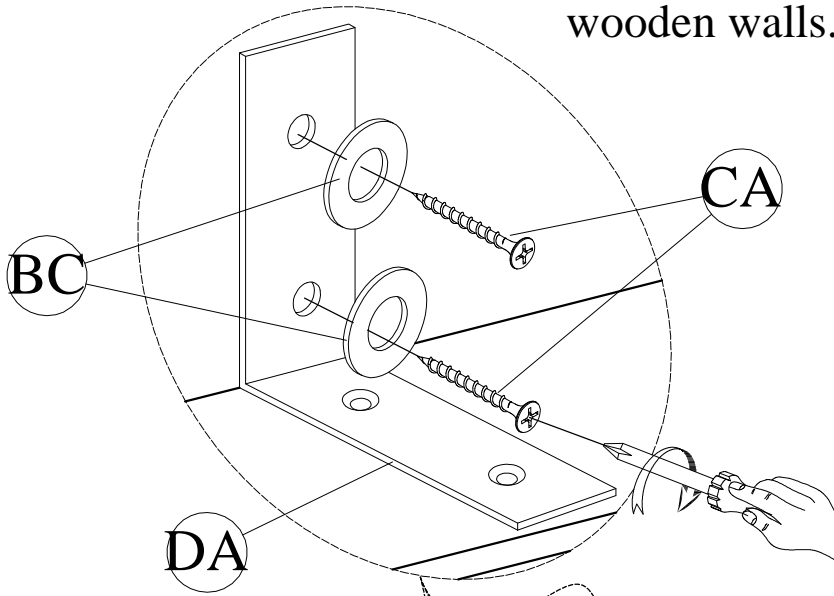


Place the bed and metal brackets into the drilled holes in the wall, then hammer in the metal anchors.

# STEP-ÉTAPE-21

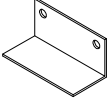
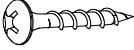
This accessory is for wooden walls.

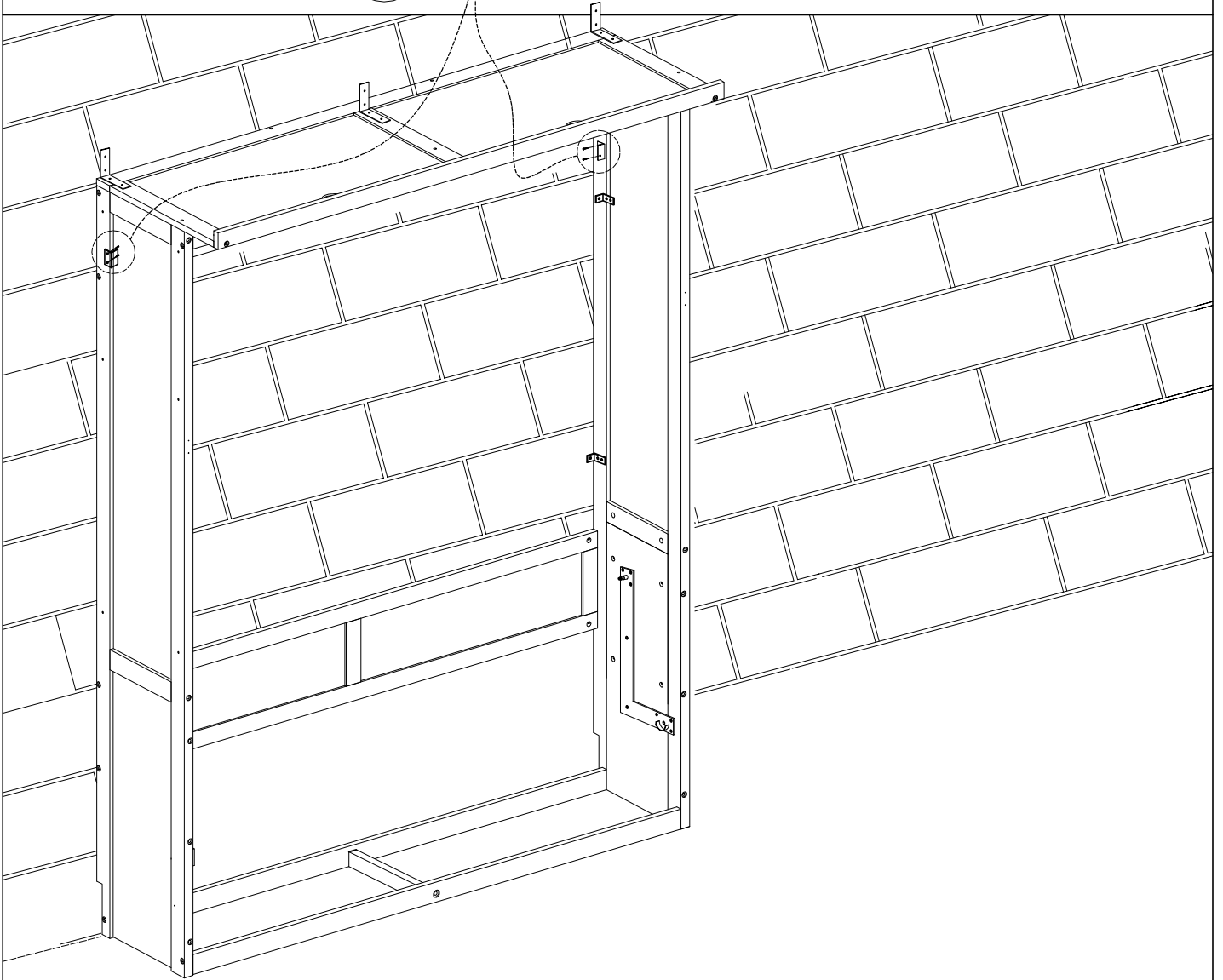
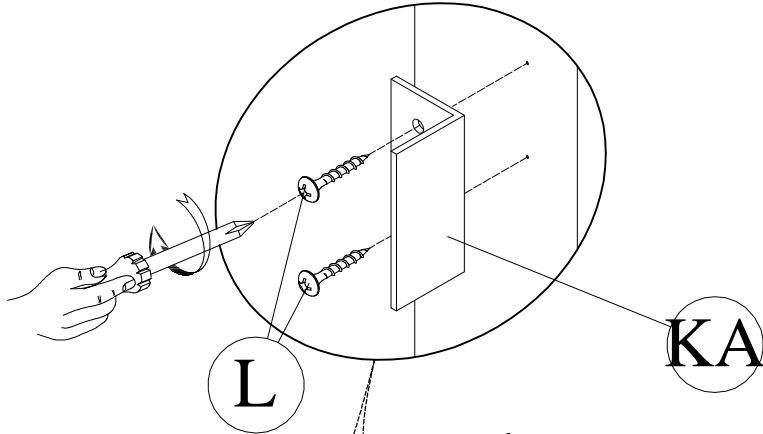
BC	CA
	
10pcs	10pcs



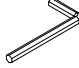

Insert the bed frame and metal brackets into the pre-drilled holes in the wall, then assemble the accessories.

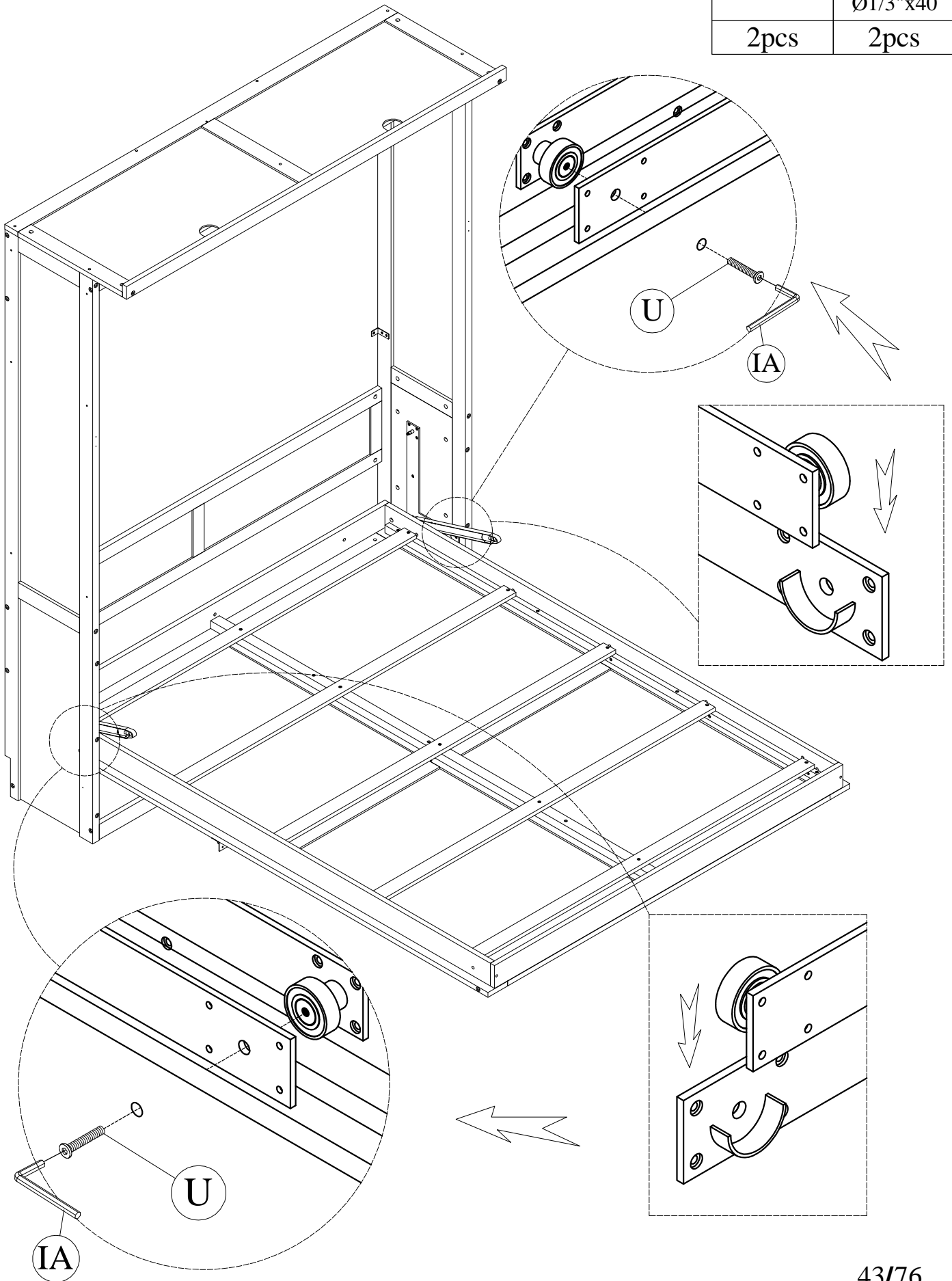
# STEP-ÉTAPE-22

KA	L
	
2pcs	M4x15 4pcs

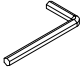





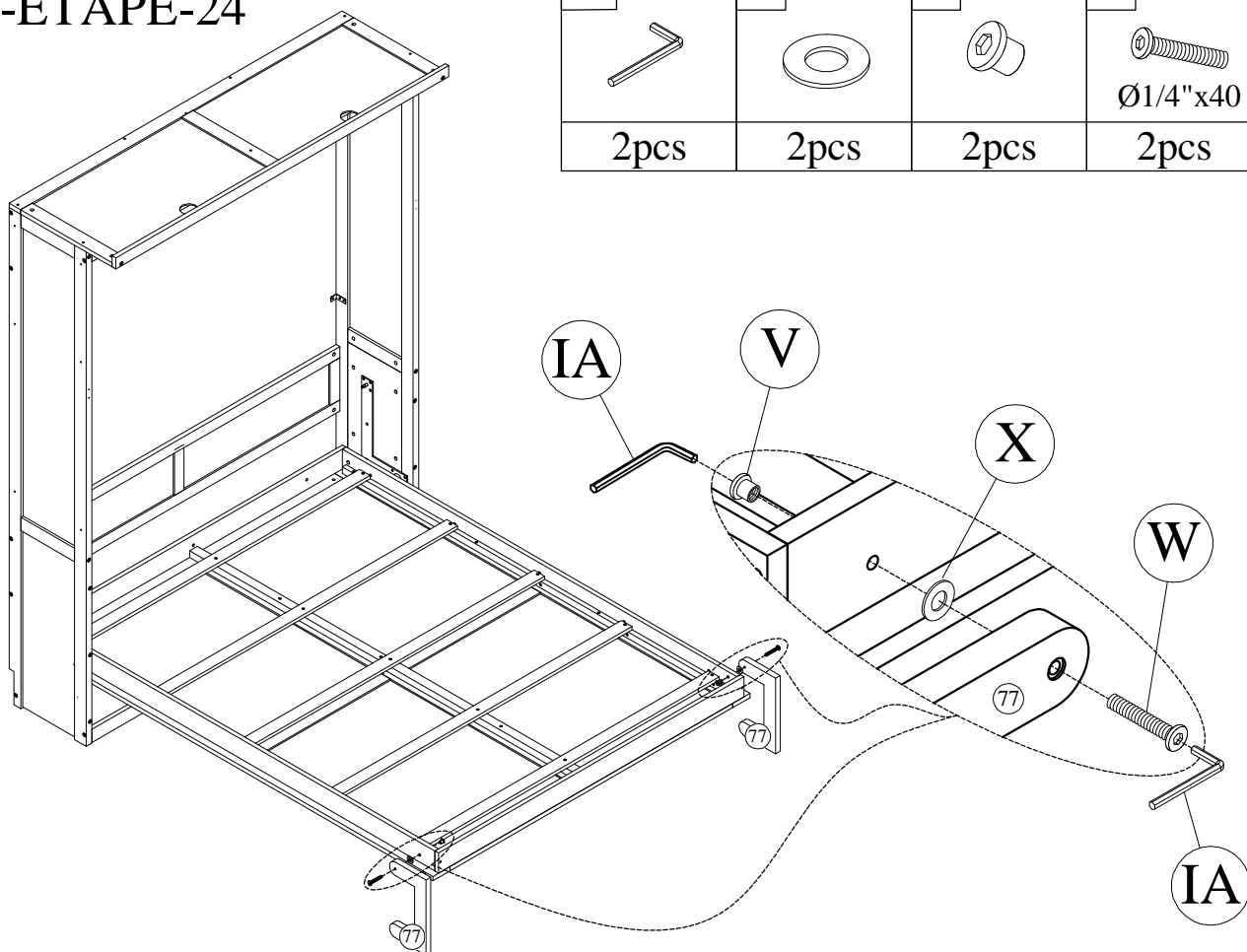
# STEP-ÉTAPE-23

IA	U
	
2pcs	Ø1/3"x40 2pcs

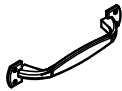
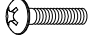


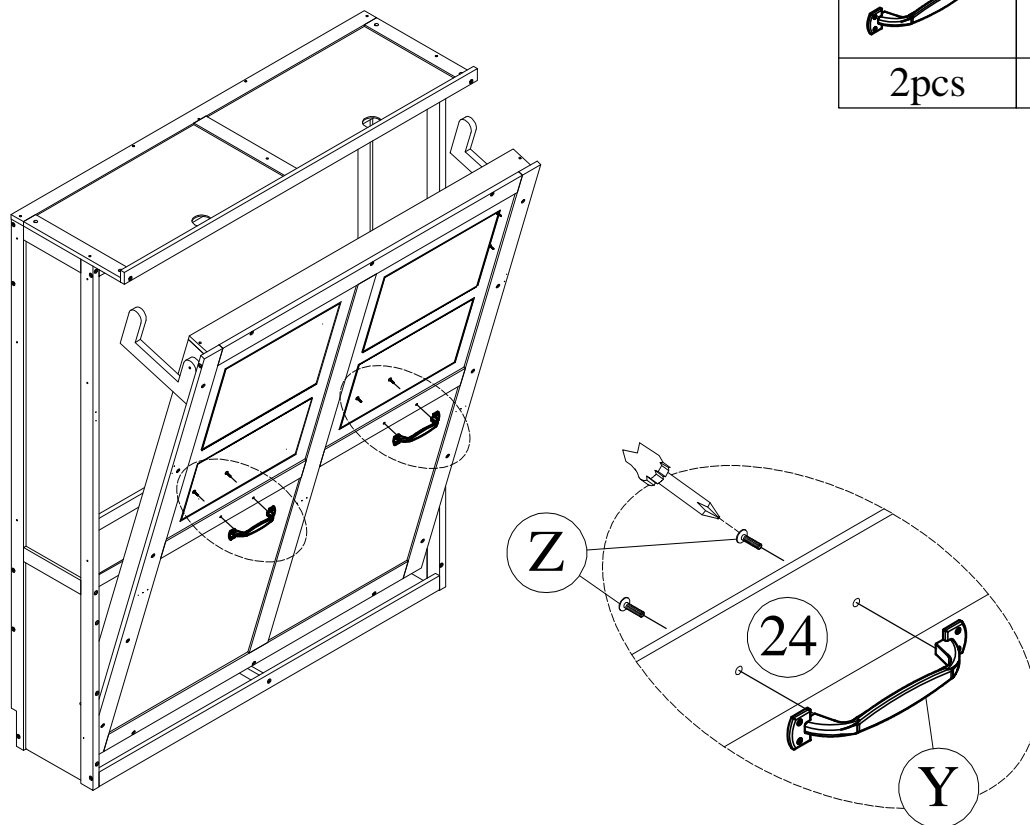
# STEP-ÉTAPE-24

IA	X	V	W
			
2pcs	2pcs	2pcs	2pcs





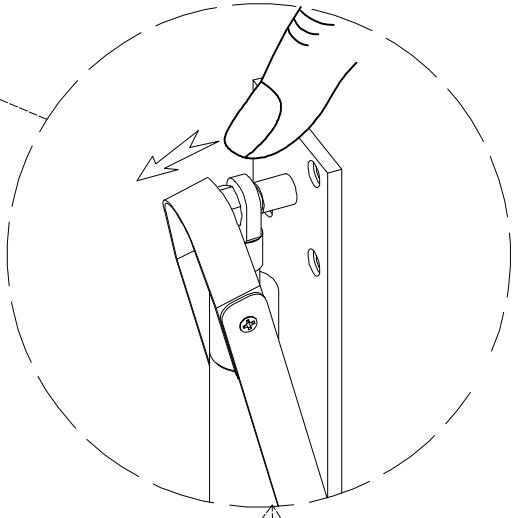
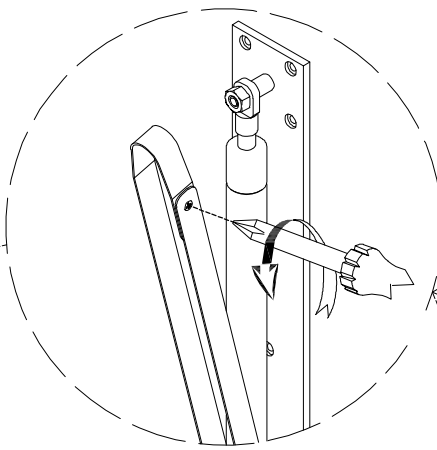
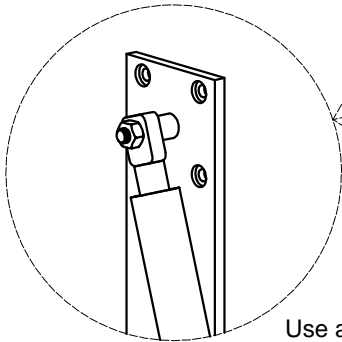
# STEP-ÉTAPE-25

Y	Z
	
2pcs	4pcs

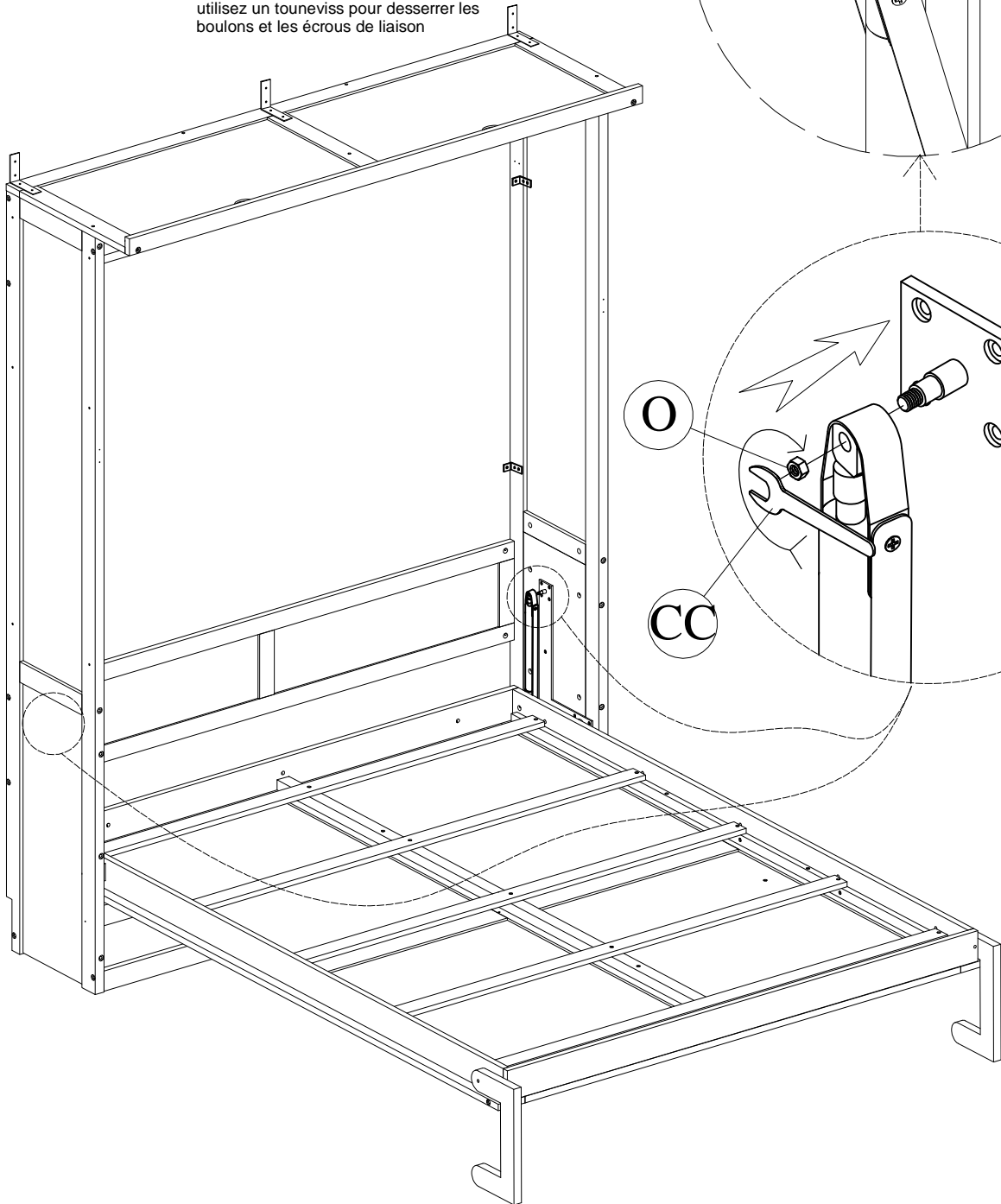


# STEP-ÉTAPE-26

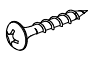
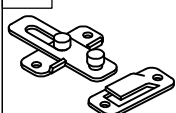
CC	O
	
1pc	4pcs

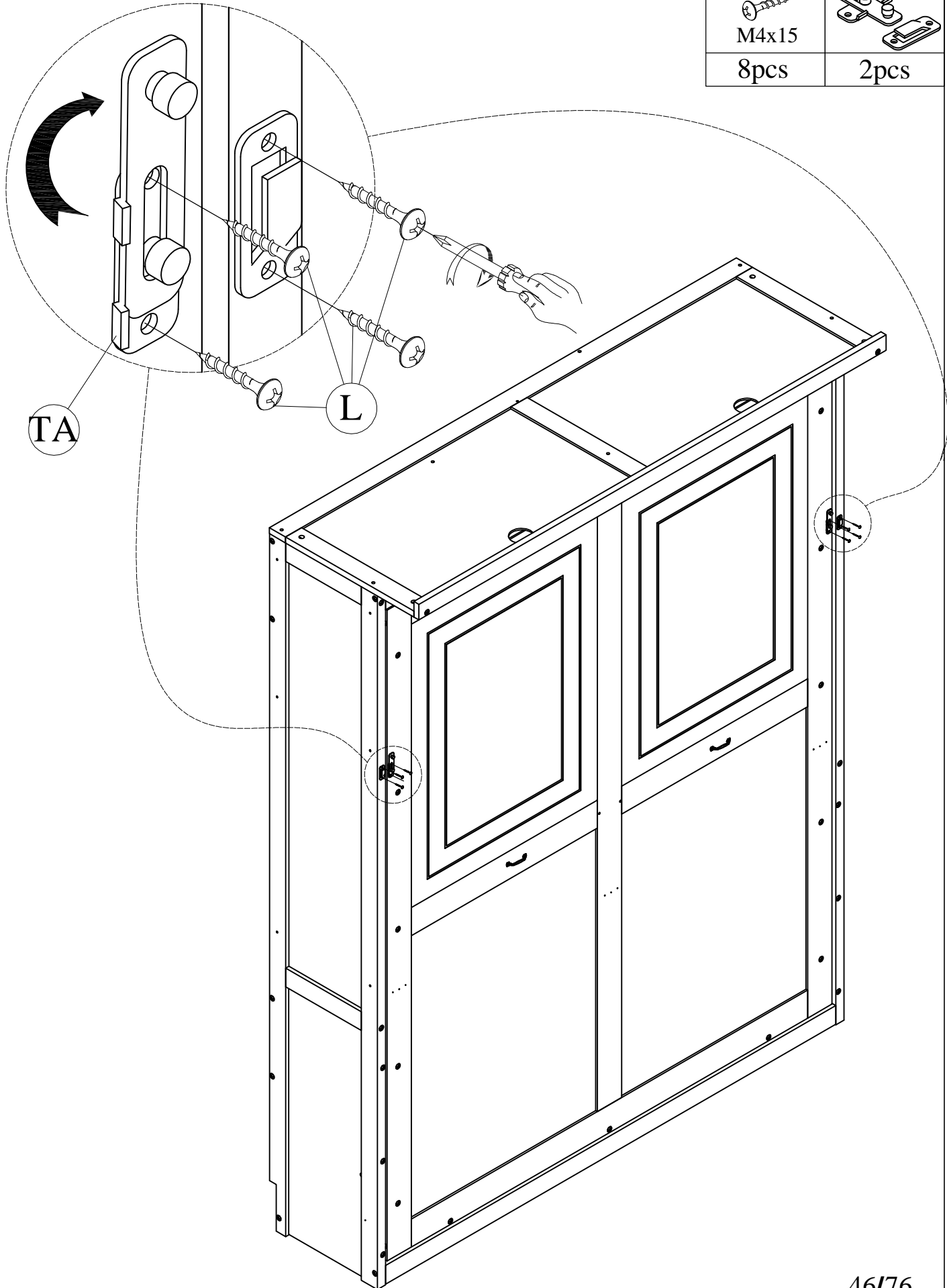


Use a screwdriver to loosen  
the connecting bolts and nuts.  
utilisez un tournevis pour desserrer les  
boulons et les écrous de liaison



# STEP-ÉTAPE-27

L	TA
 M4x15	
8pcs	2pcs



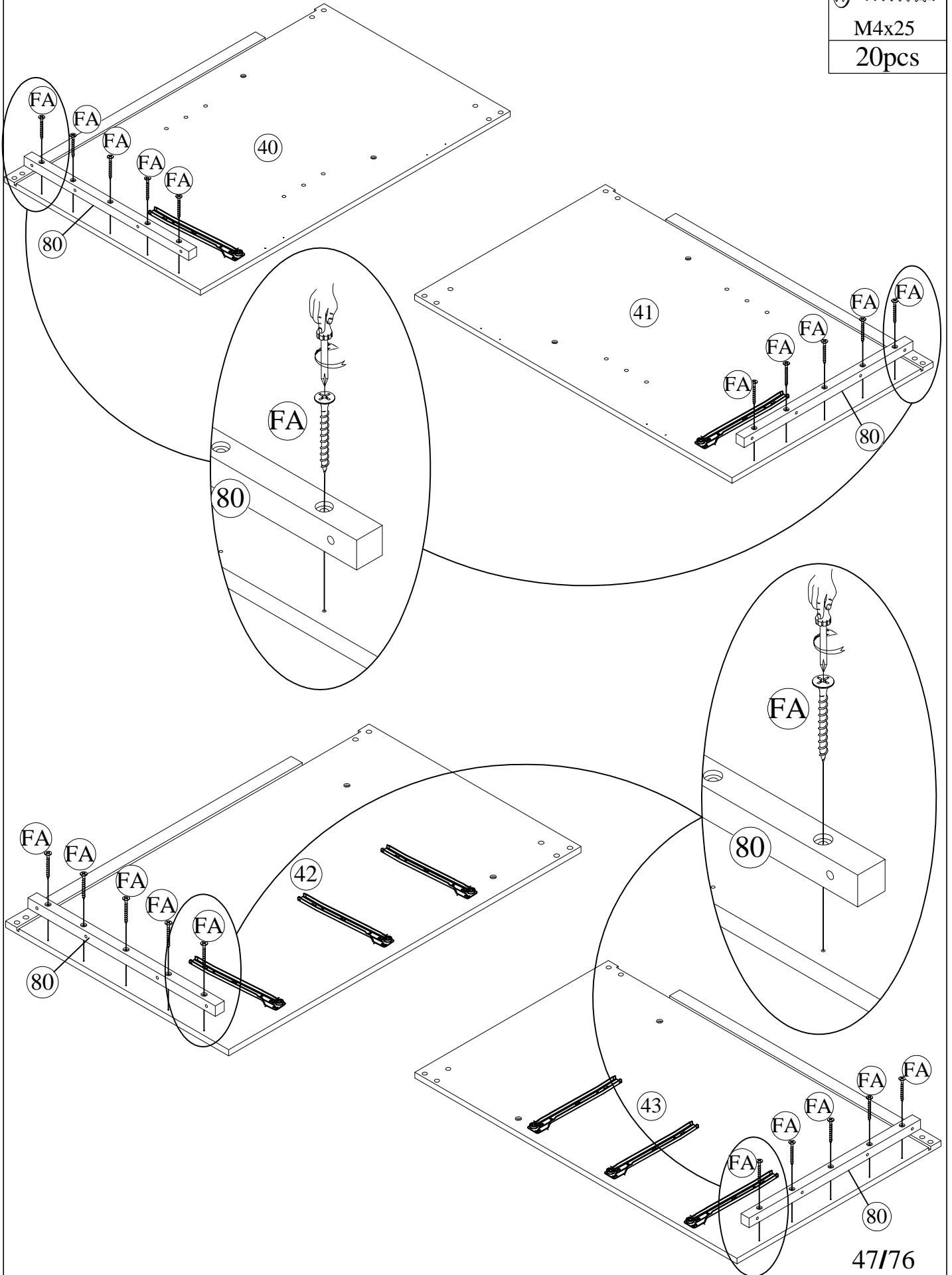
# STEP-ÉTAPE-28.1

FA

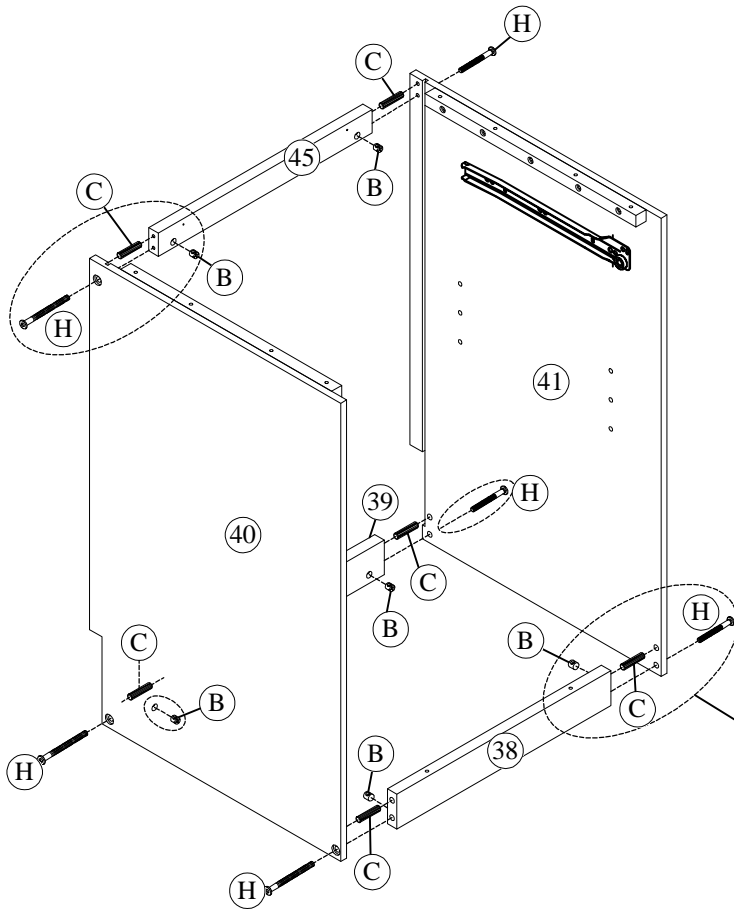





M4x25

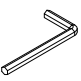
20pcs



# STEP-ÉTAPE-29

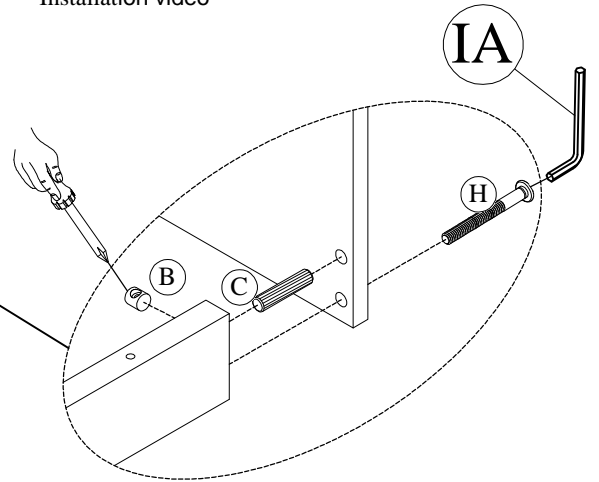


<b>C</b>	<b>B</b>	<b>H</b>
 Ø8"x30	 Ø1/4"x12	 Ø1/4"x60
6pcs	6pcs	6pcs

<b>IA</b>

2pcs



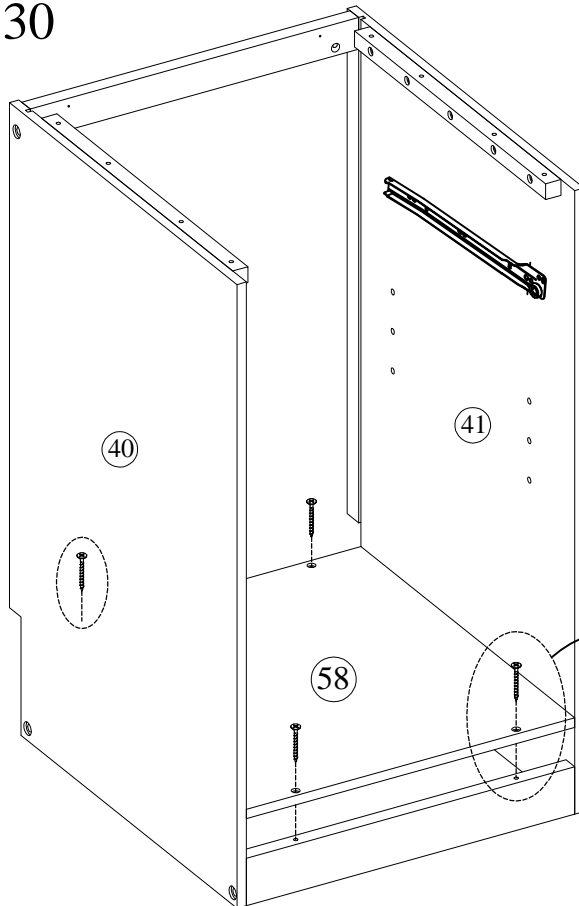
Installation video

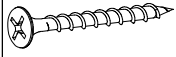


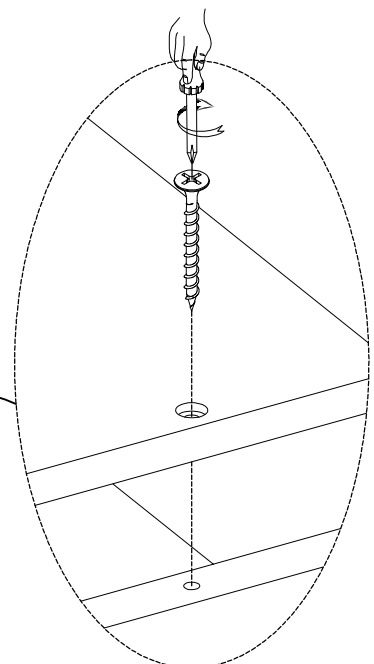
# STEP-ÉTAPE-30



Installation video



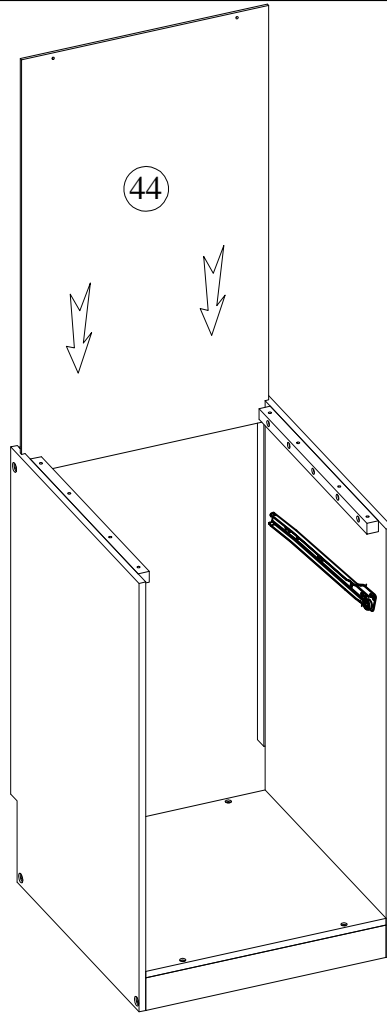
<b>BA</b>
 M4x30
4pcs



# STEP-ÉTAPE-31



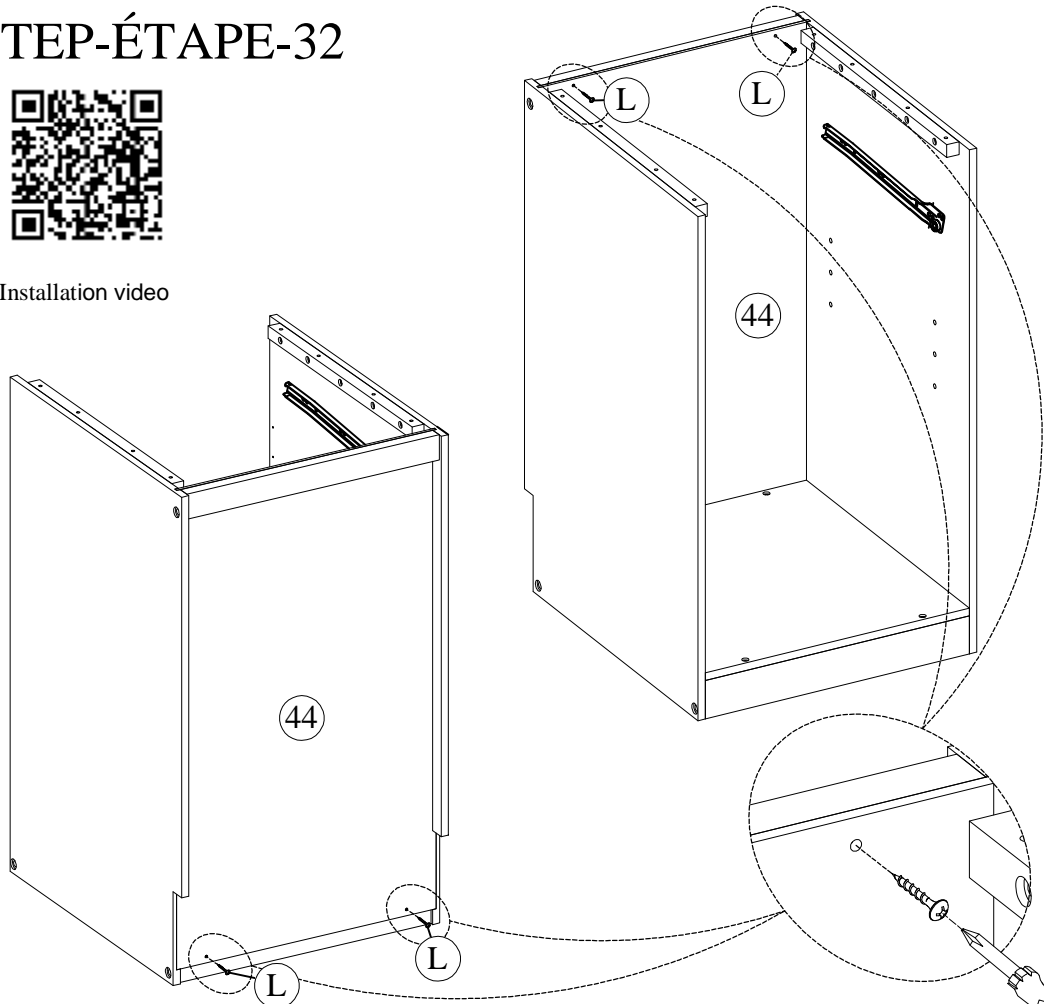
Installation video

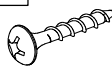


# STEP-ÉTAPE-32



Installation video

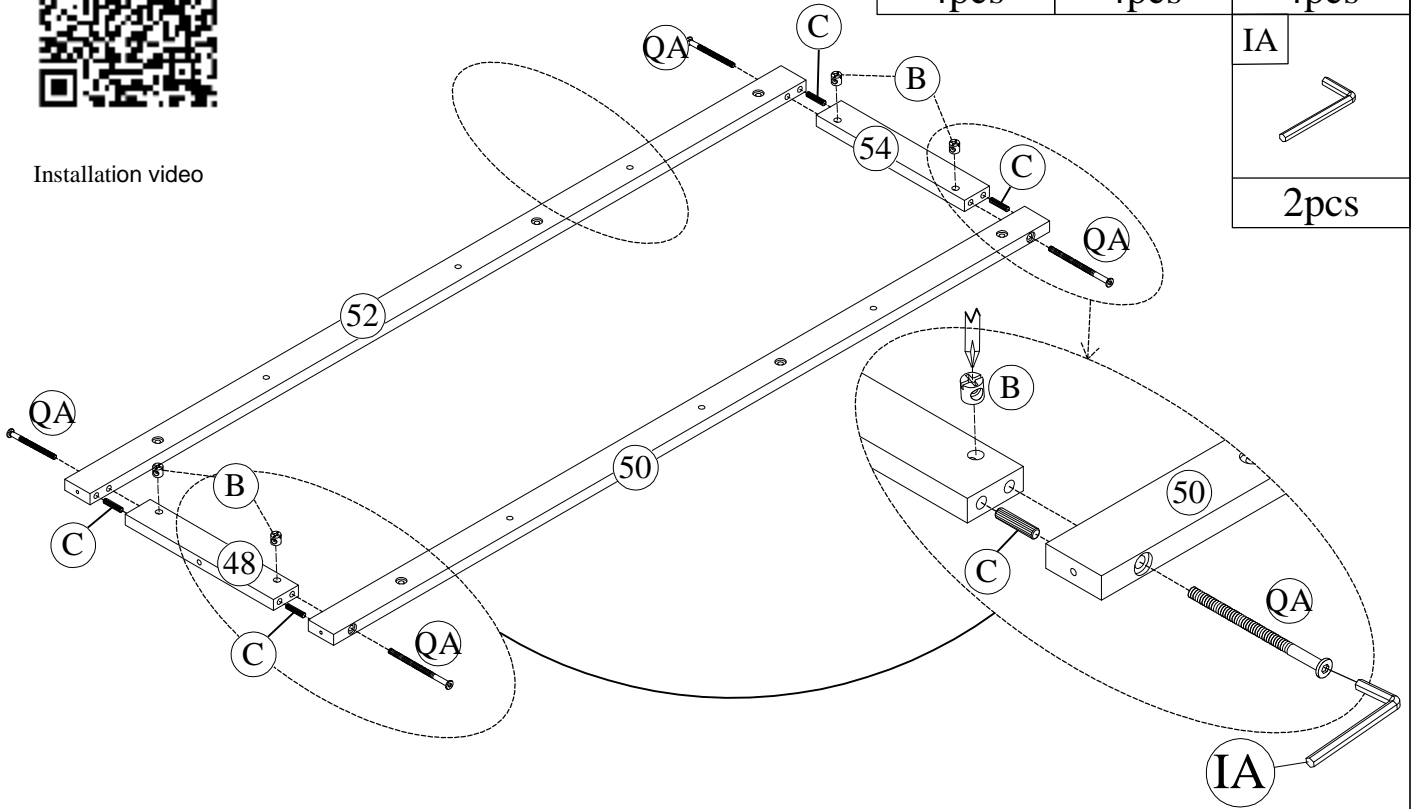





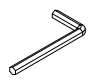
L

M4x15
4pcs

# STEP-ÉTAPE-33



Installation video

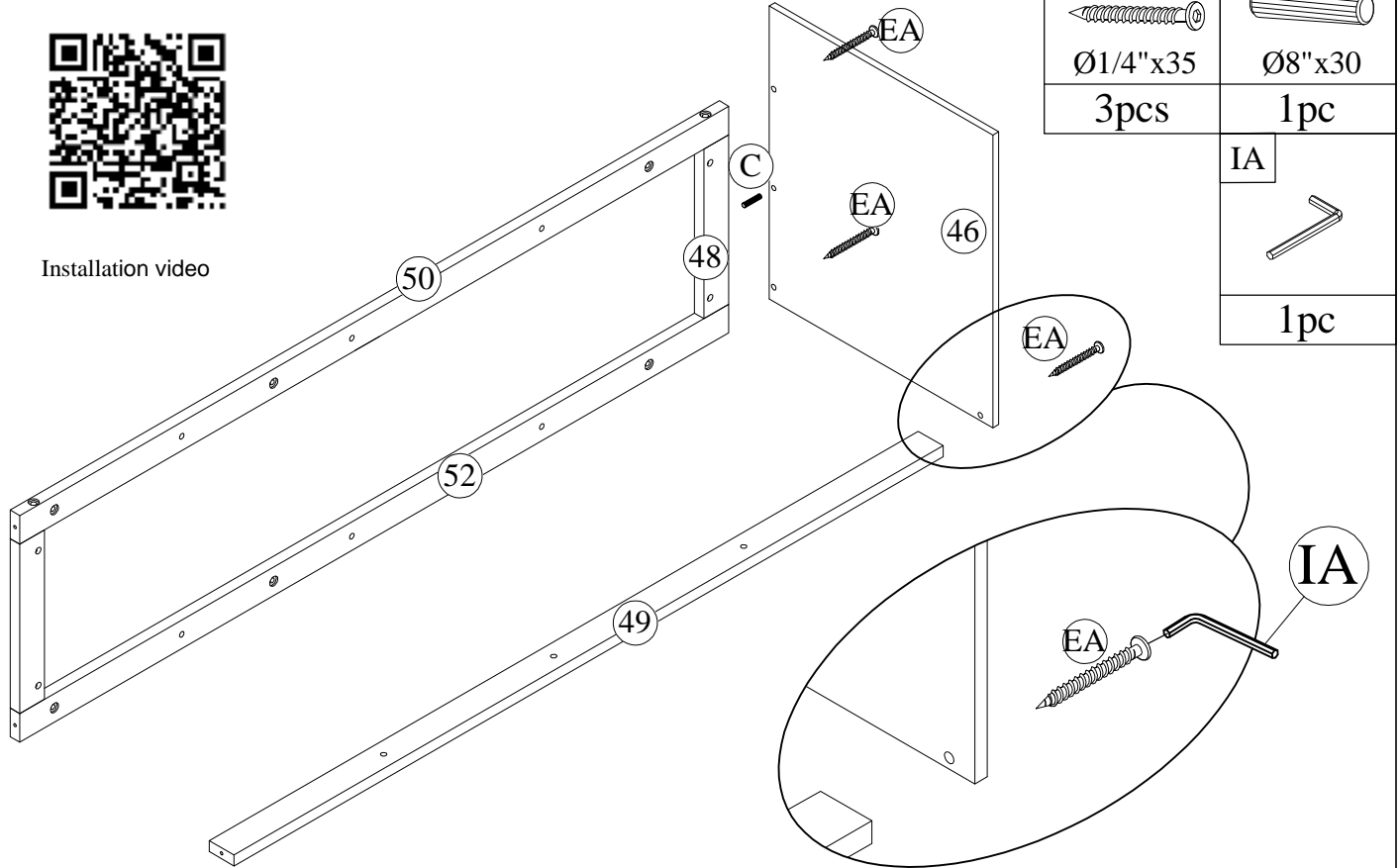




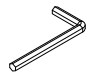
<b>C</b>  Ø8"x30 4pcs	<b>B</b>  Ø1/4"x12 4pcs	<b>QA</b>  Ø1/4"x90 4pcs
		<b>IA</b>  2pcs

# STEP-ÉTAPE-34



Installation video

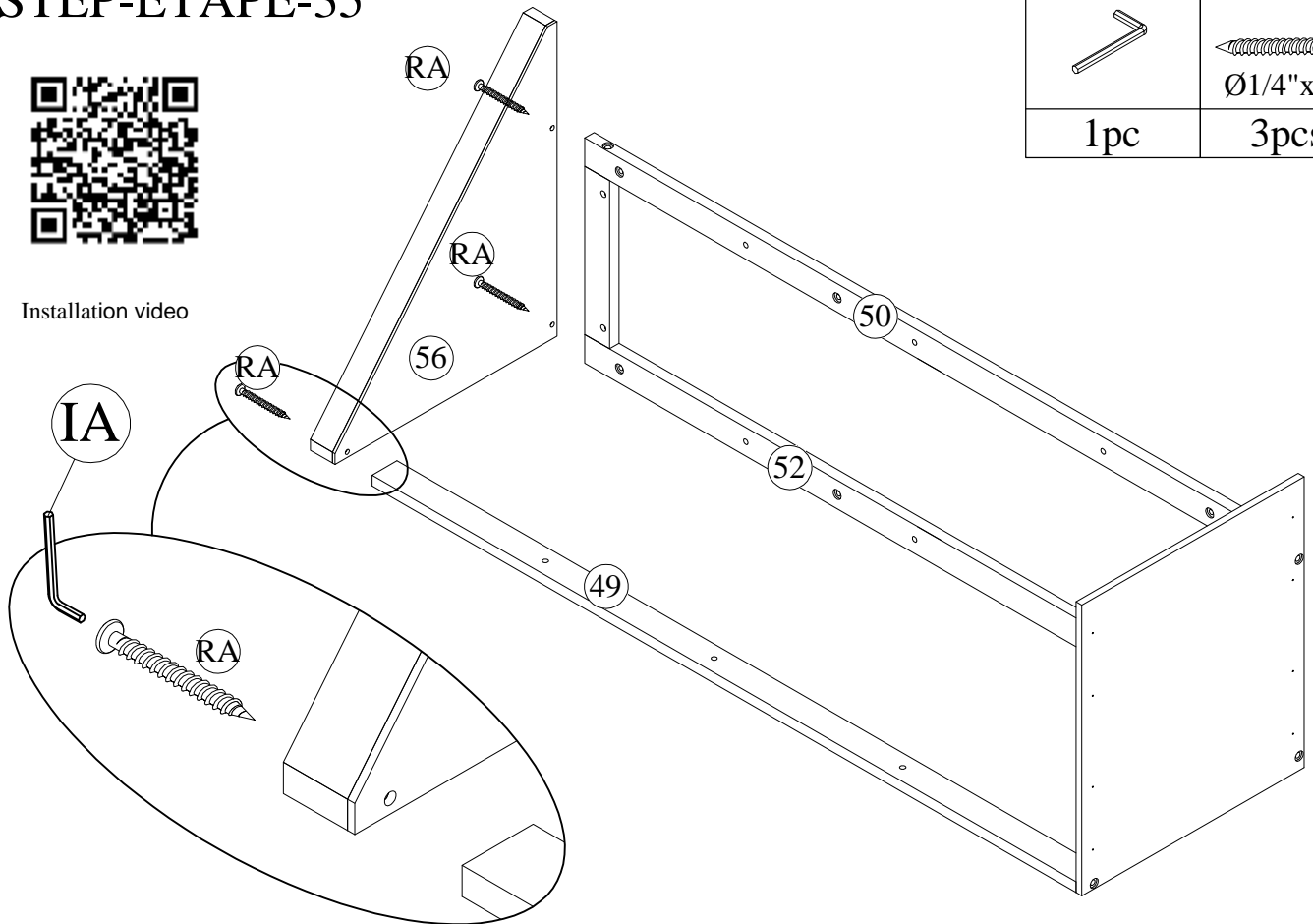


<b>EA</b>  Ø1/4"x35 3pcs	<b>C</b>  Ø8"x30 1pc
<b>IA</b>  1pc	

# STEP-ÉTAPE-35



Installation video

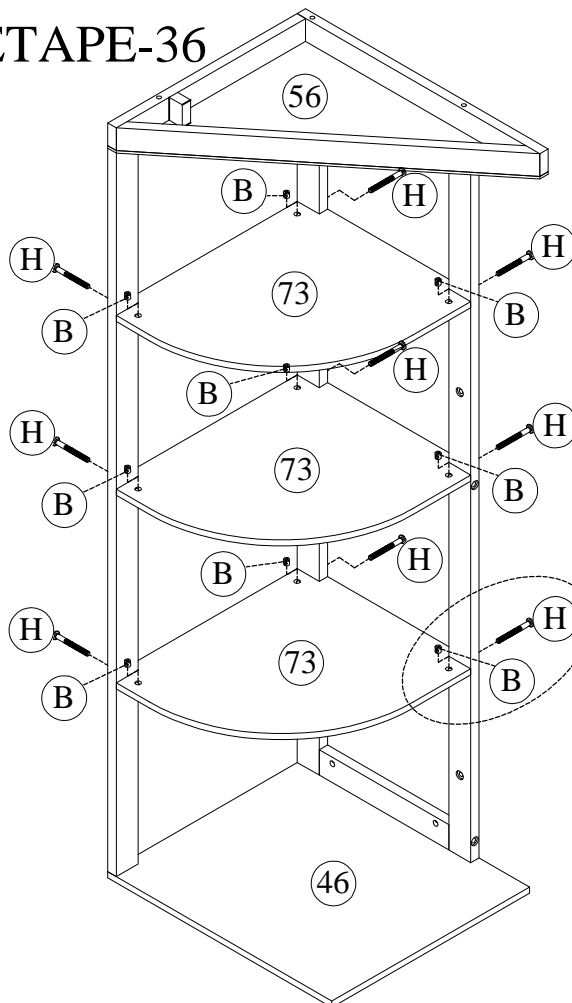


IA	RA
1pc	3pcs

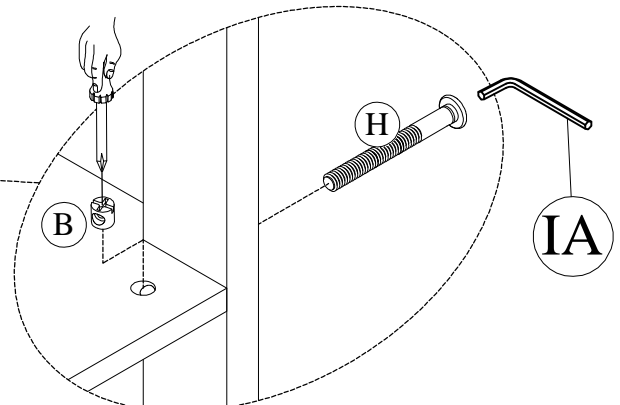
# STEP-ÉTAPE-36



Installation video



B	H
Ø1/4"x12	Ø1/4"x60
9pcs	9pcs
IA	
2pcs	



# STEP-ÉTAPE-37



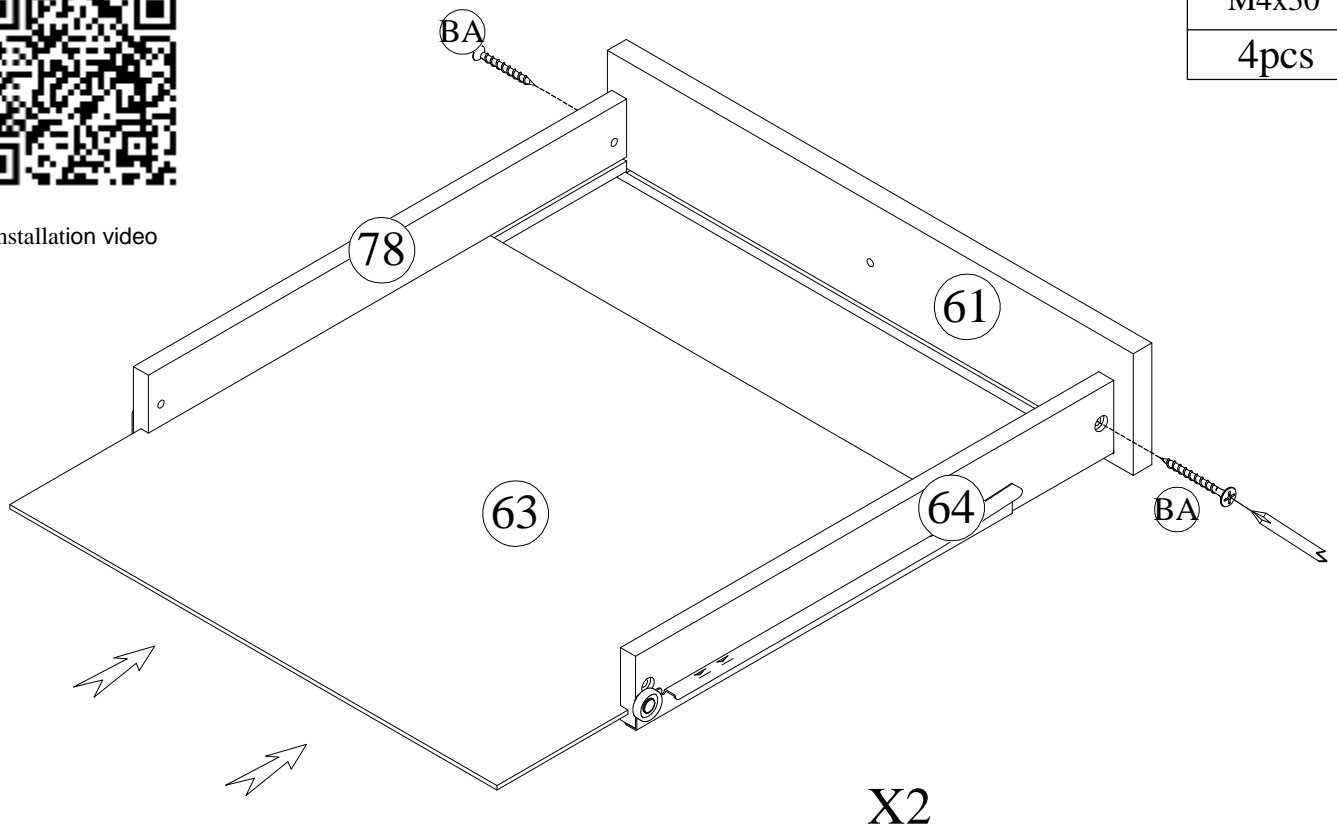
Installation video

BA



M4x30

4pcs

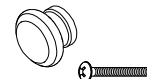


# STEP-ÉTAPE-38



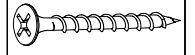
Installation video

AA



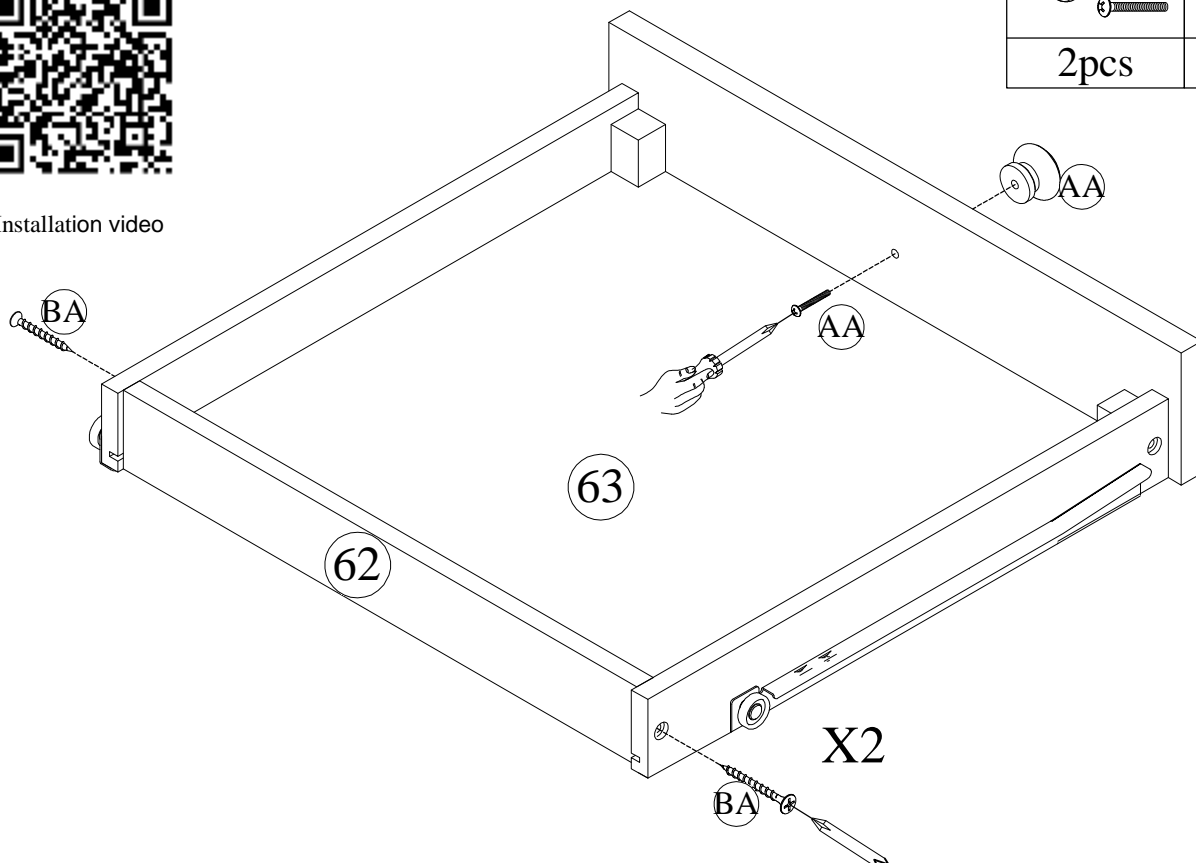
2pcs

BA



M4x30

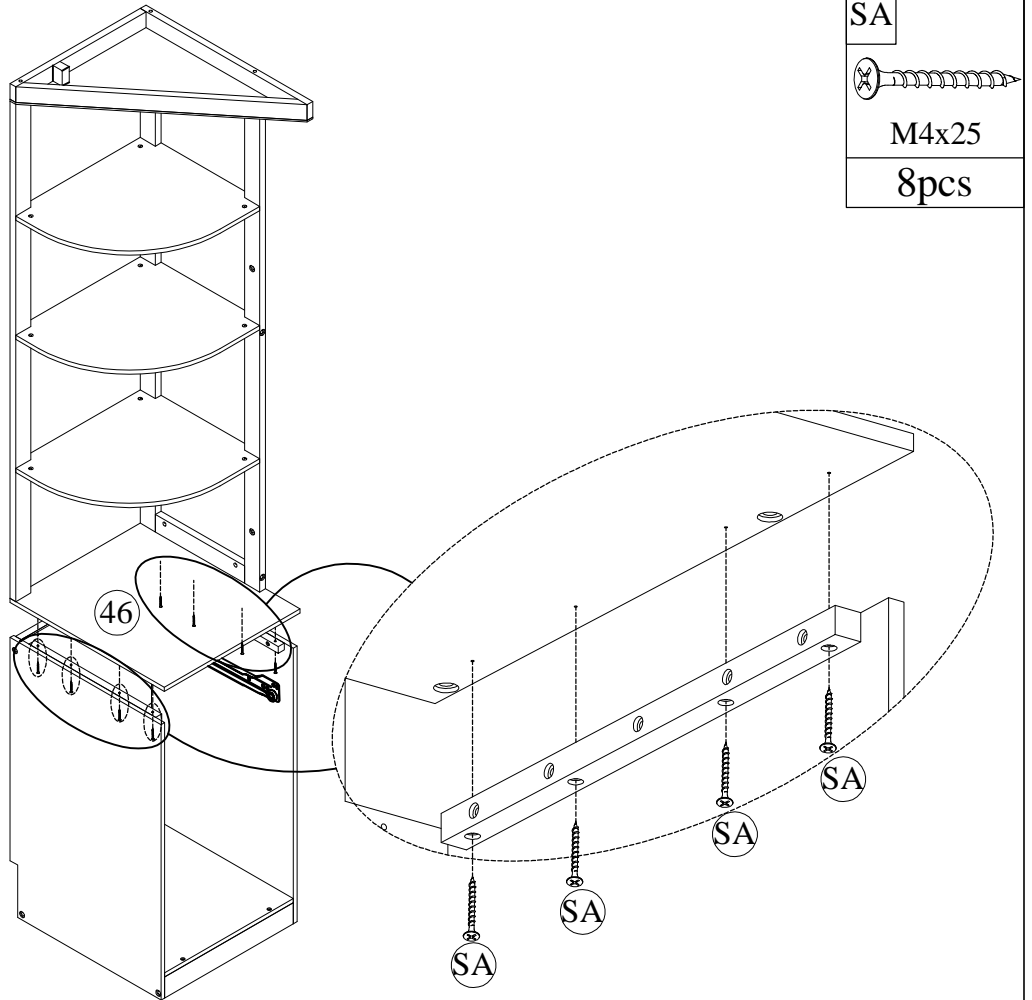
4pcs



# STEP-ÉTAPE-39



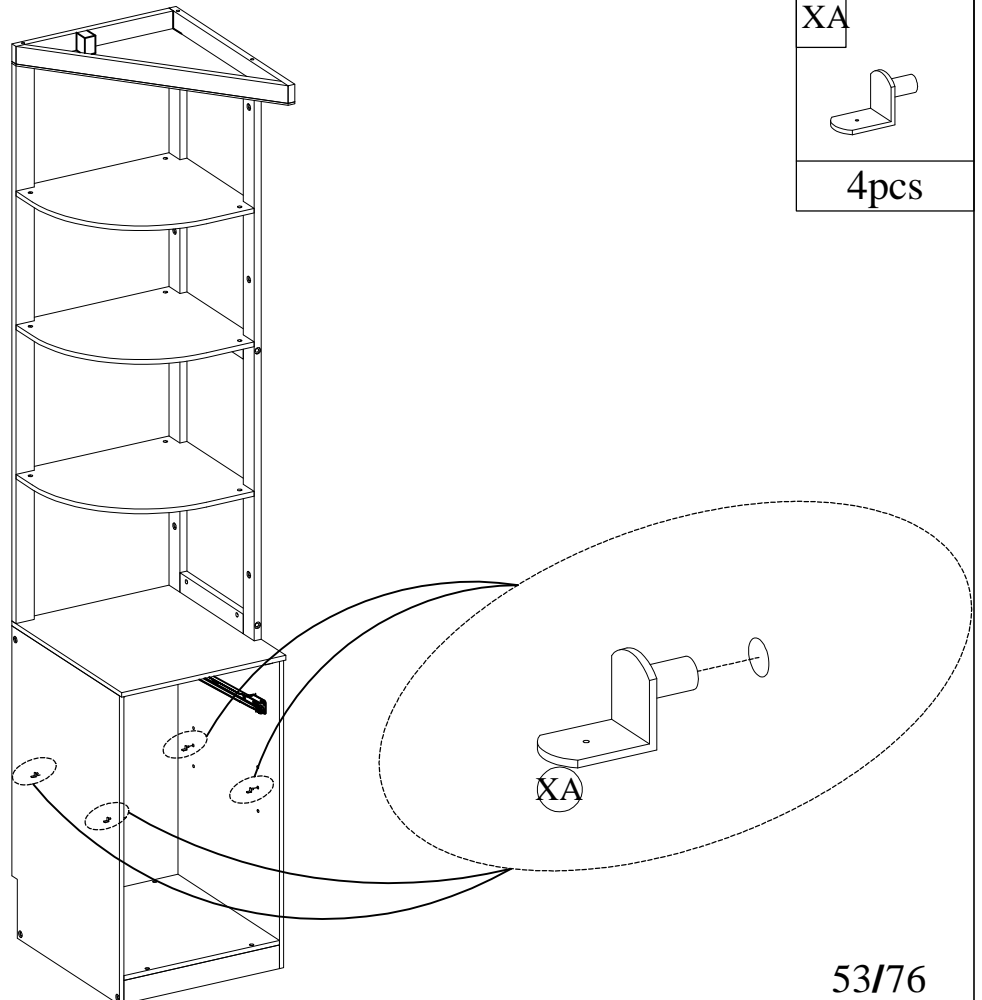
Installation video



# STEP-ÉTAPE-40



Installation video

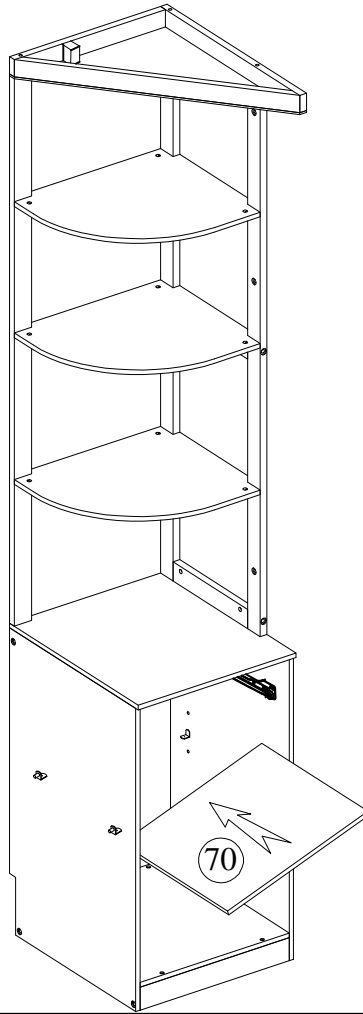


53/76

# STEP-ÉTAPE-41



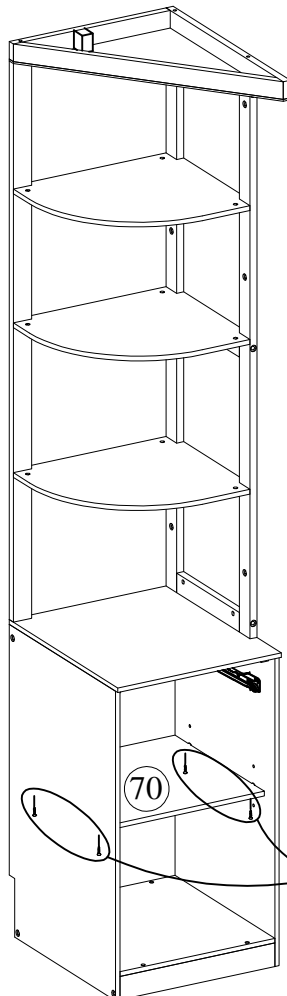
Installation video



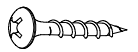
# STEP-ÉTAPE-42



Installation video

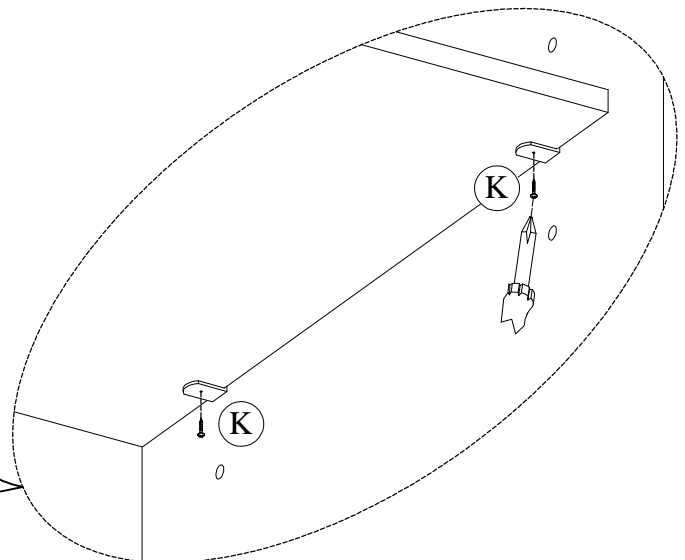


K



M3.5x12

4pcs

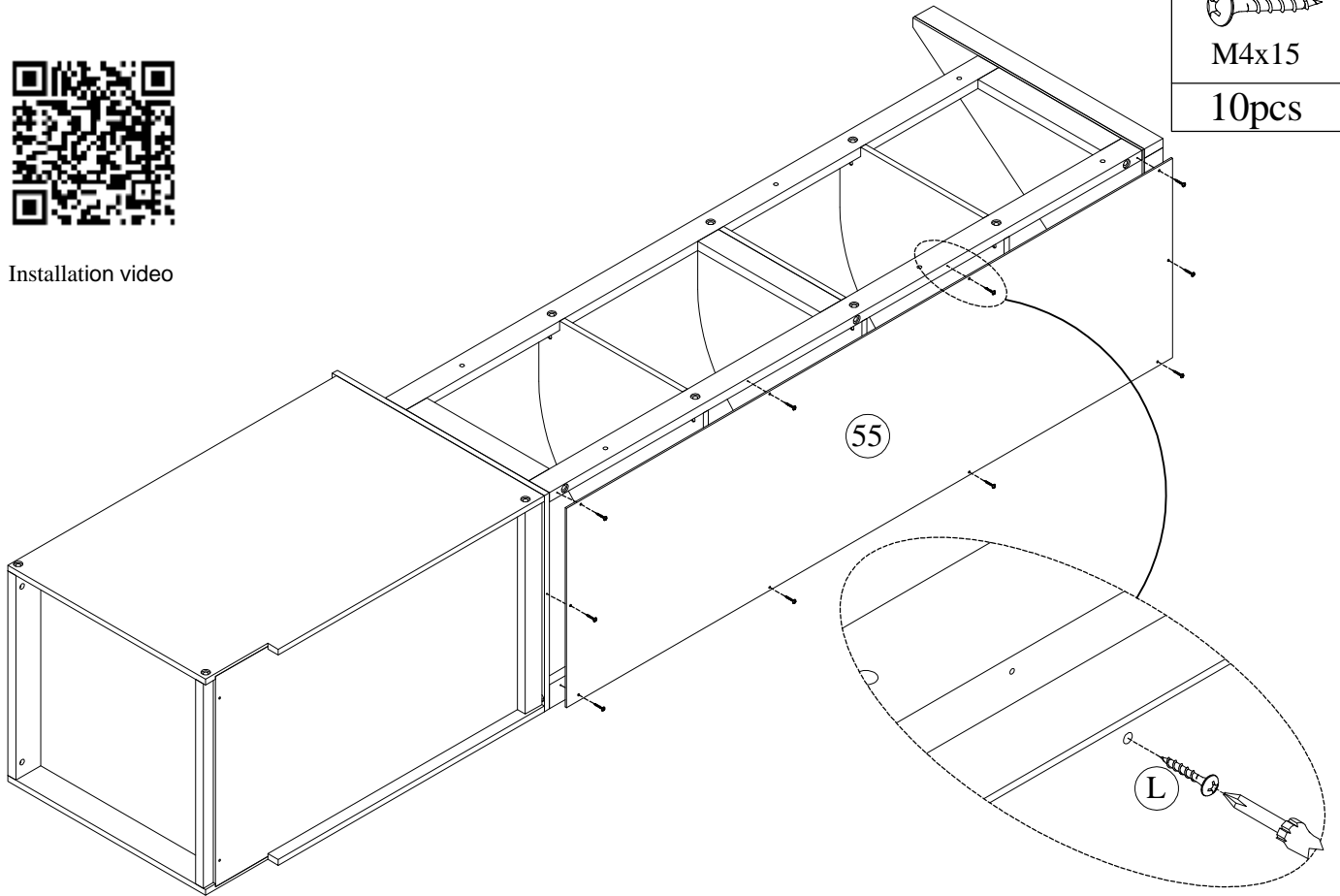


54/76

# STEP-ÉTAPE-43



Installation video



L



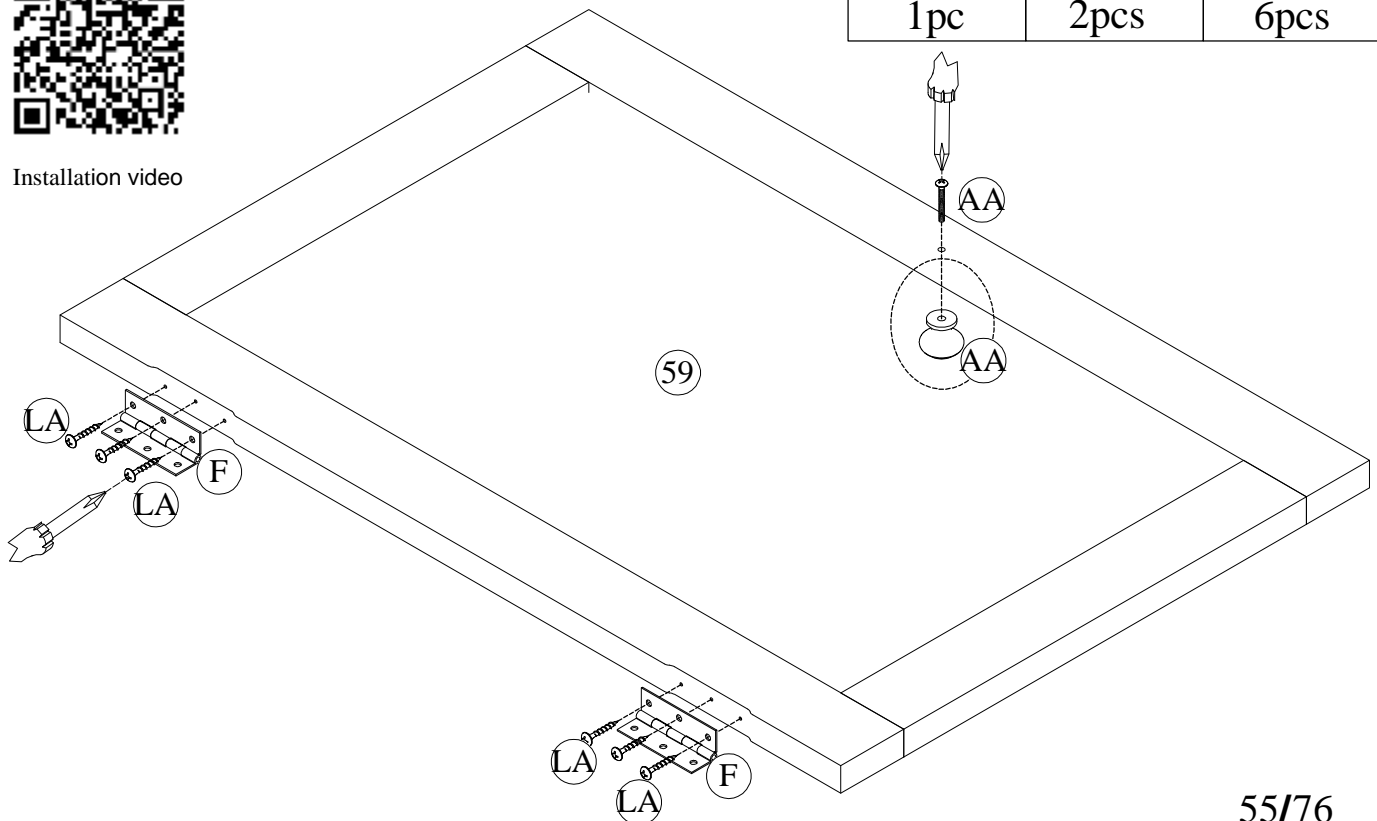
M4x15

10pcs

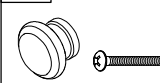
# STEP-ÉTAPE-44



Installation video

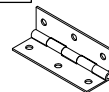


AA



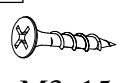
1pc

F



2pcs

LA



M3x15

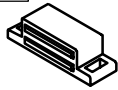
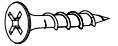
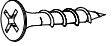
6pcs

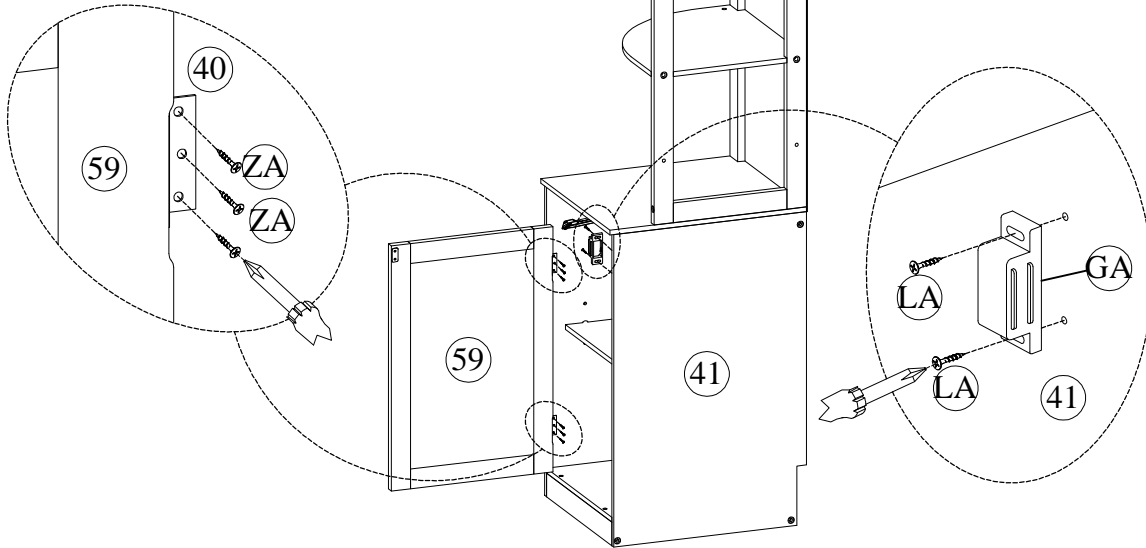
55/76

# STEP-ÉTAPE-45



Installation video


GA 	LA 
1pc	M3x15 2pcs
	ZA 
	M3.5x12 6pcs

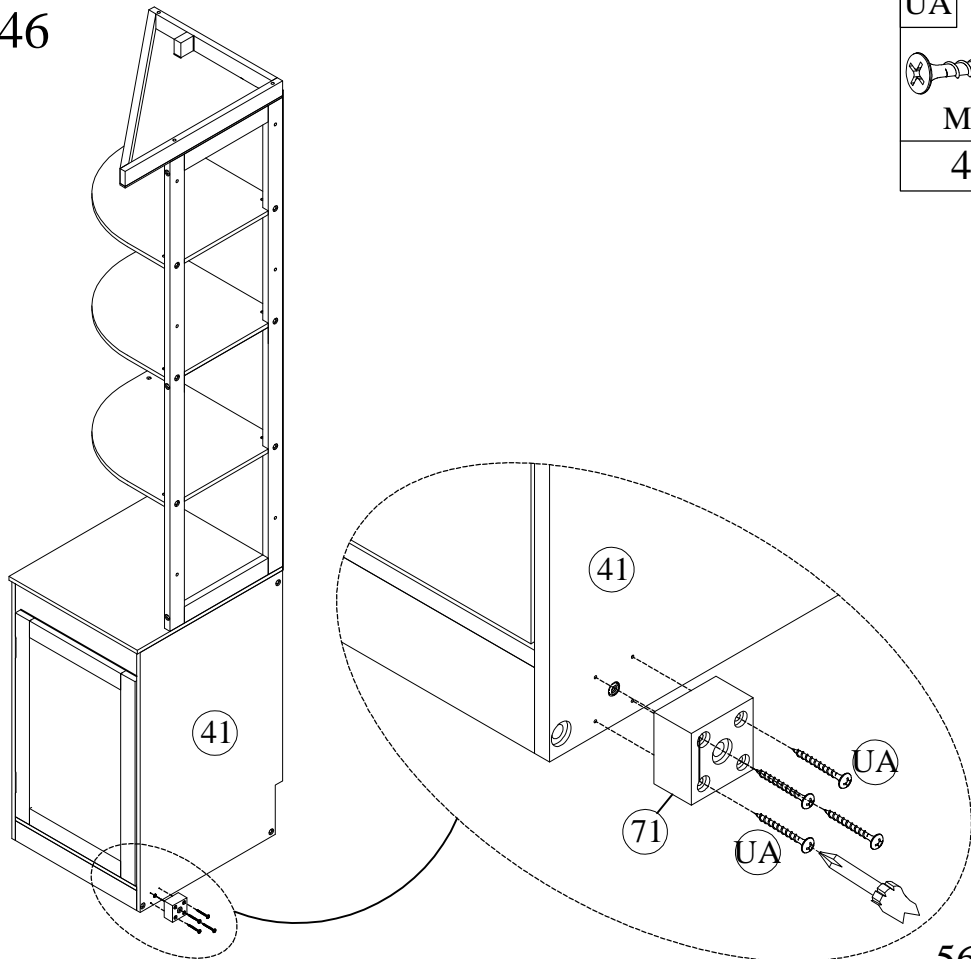


# STEP-ÉTAPE-46

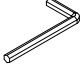





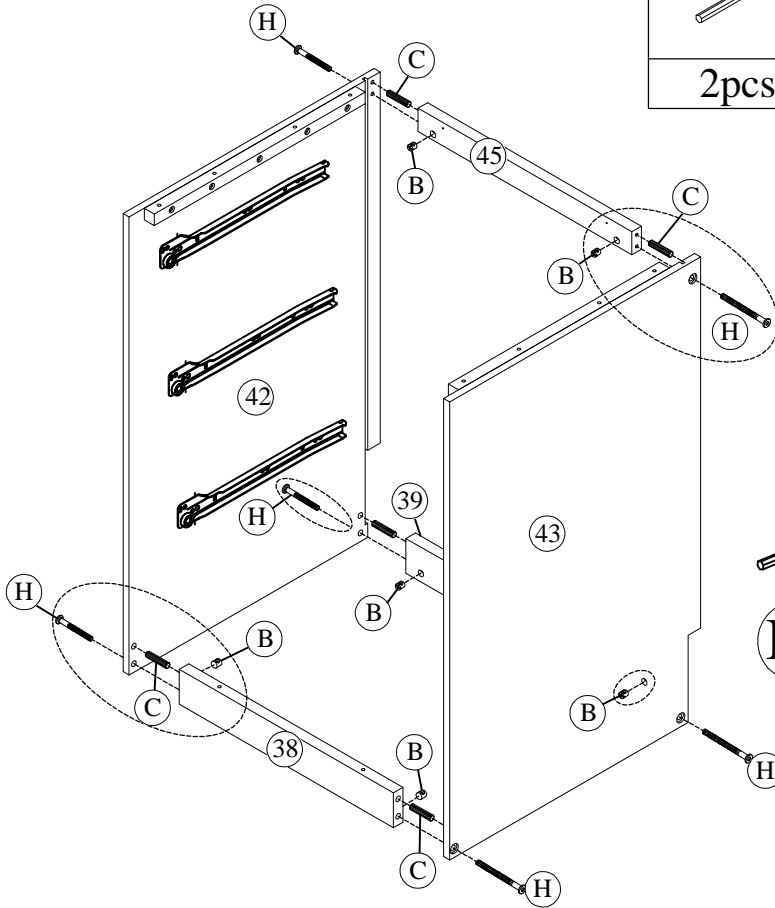
Installation video

UA 
M4x35 4pcs

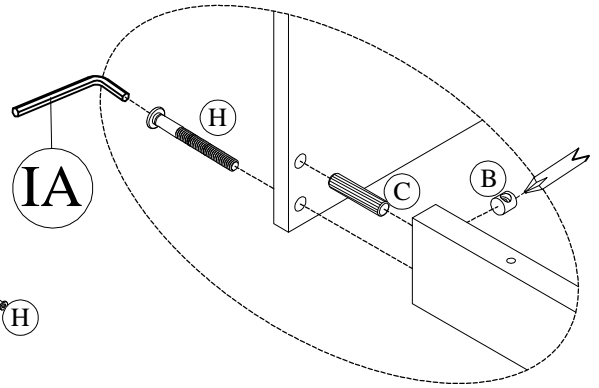


# STEP-ÉTAPE-47

IA	H	B	C
			
2pcs	Ø1/4"x60 6pcs	Ø1/4"x12 6pcs	Ø8x30 6pcs



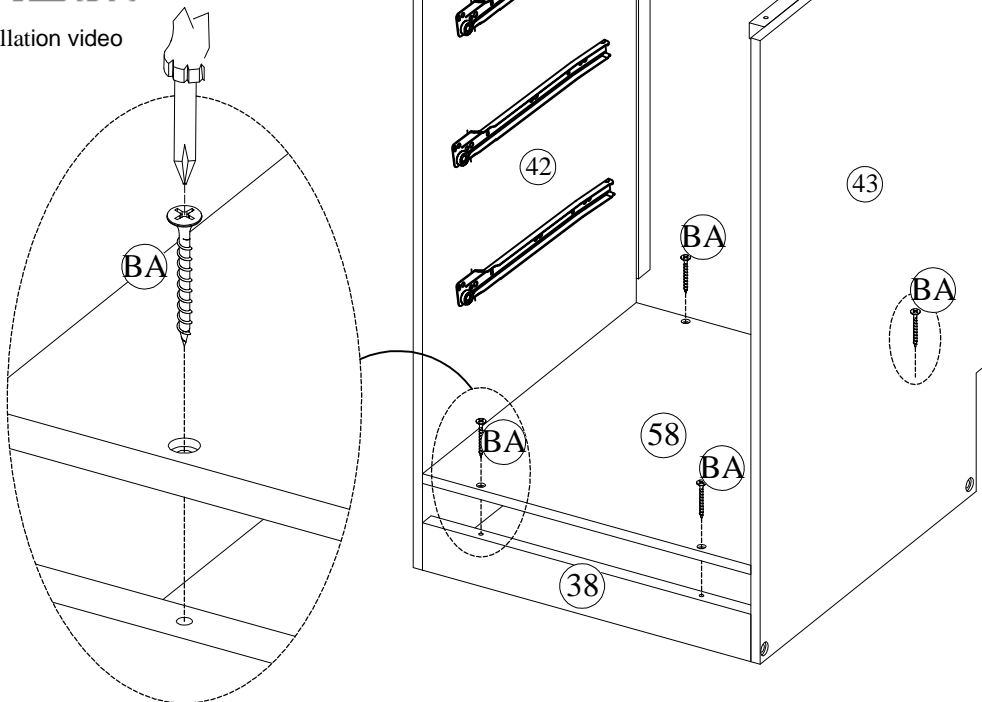
Installation video

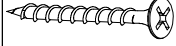


# STEP-ÉTAPE-48



Installation video

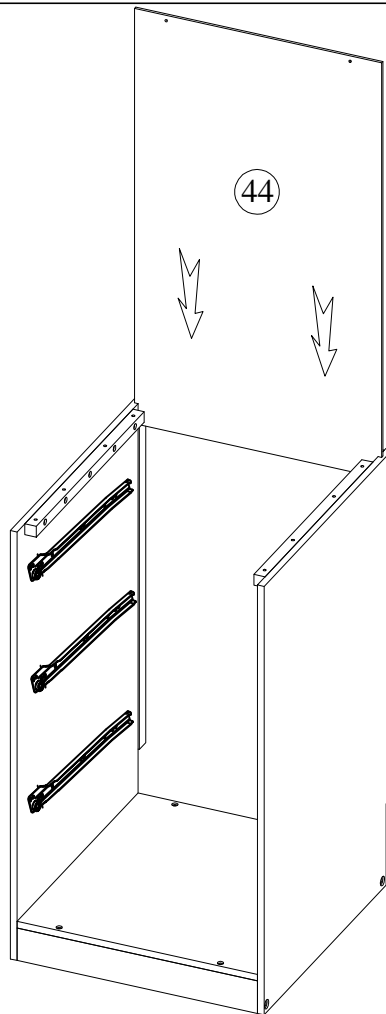


BA

M4x30
4pcs

# STEP-ÉTAPE-49



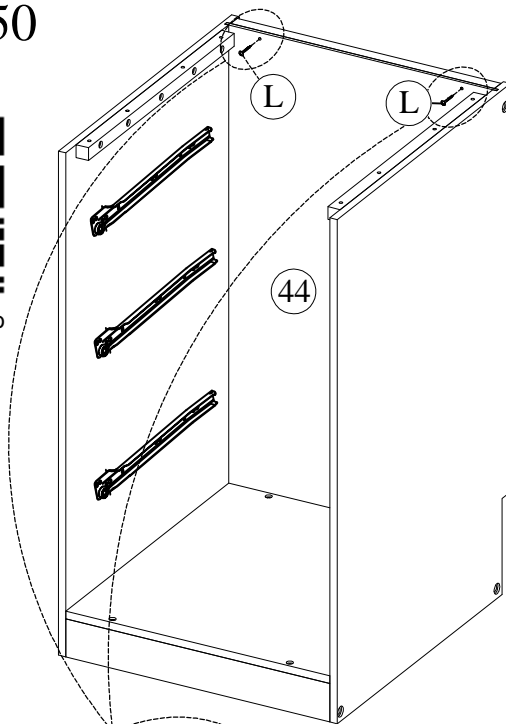
Installation video



# STEP-ÉTAPE-50



Installation video

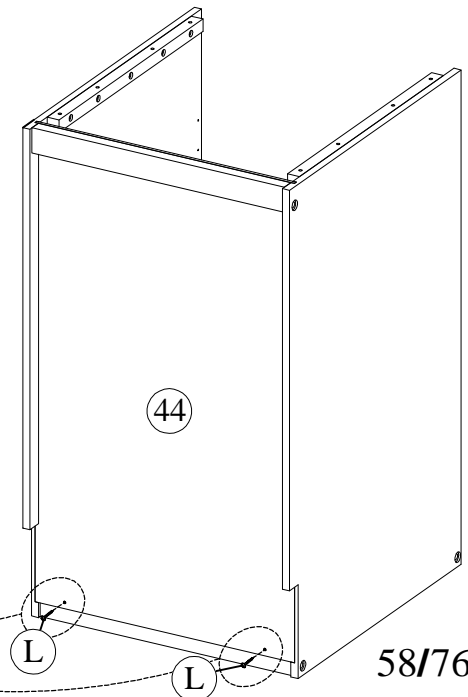
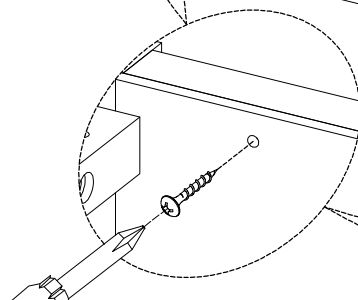


L



M4x15

4pcs



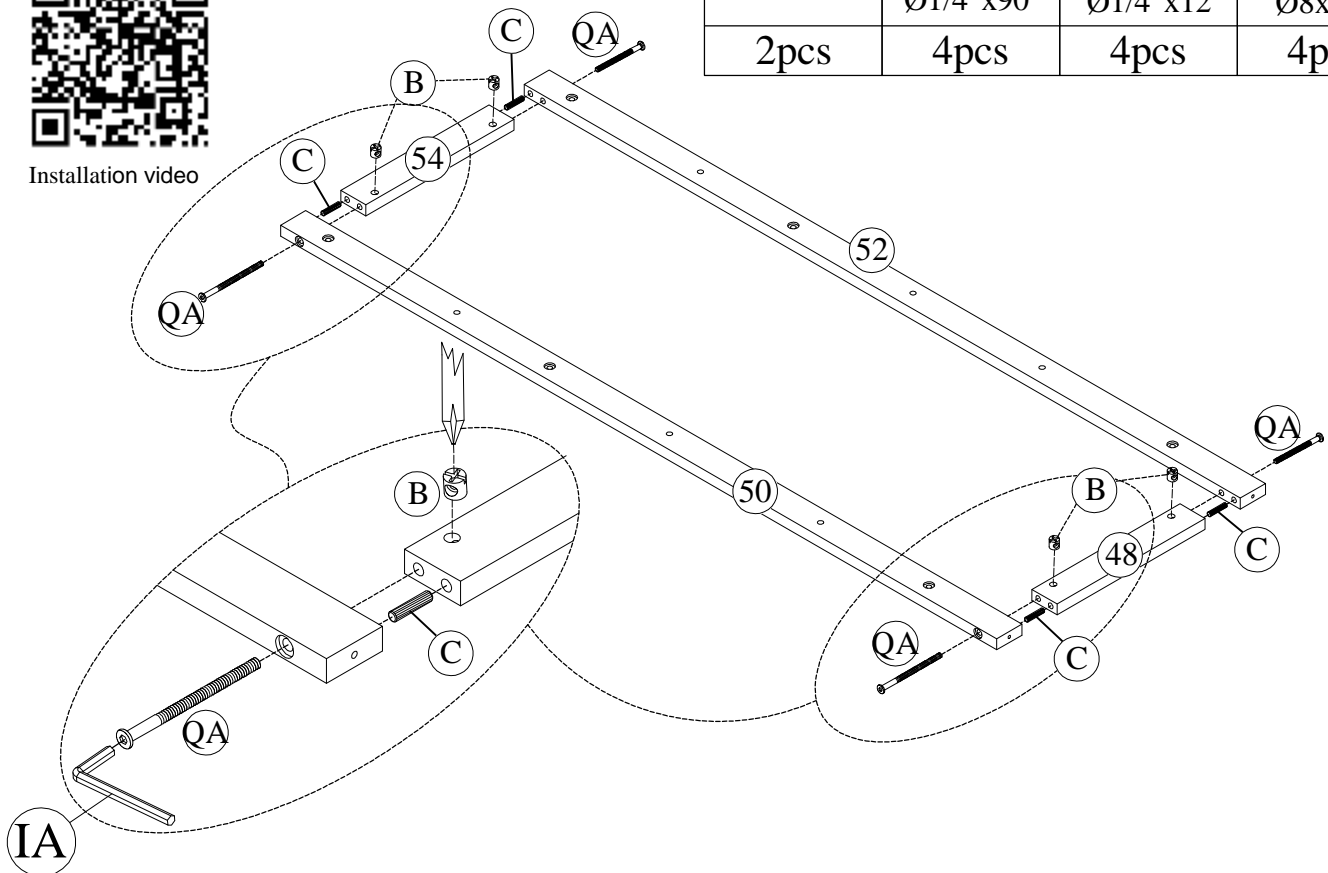
58/76

# STEP-ÉTAPE-51



Installation video

IA	QA	B	C
2pcs	4pcs Ø1/4"x90	4pcs Ø1/4"x12	4pcs Ø8x30

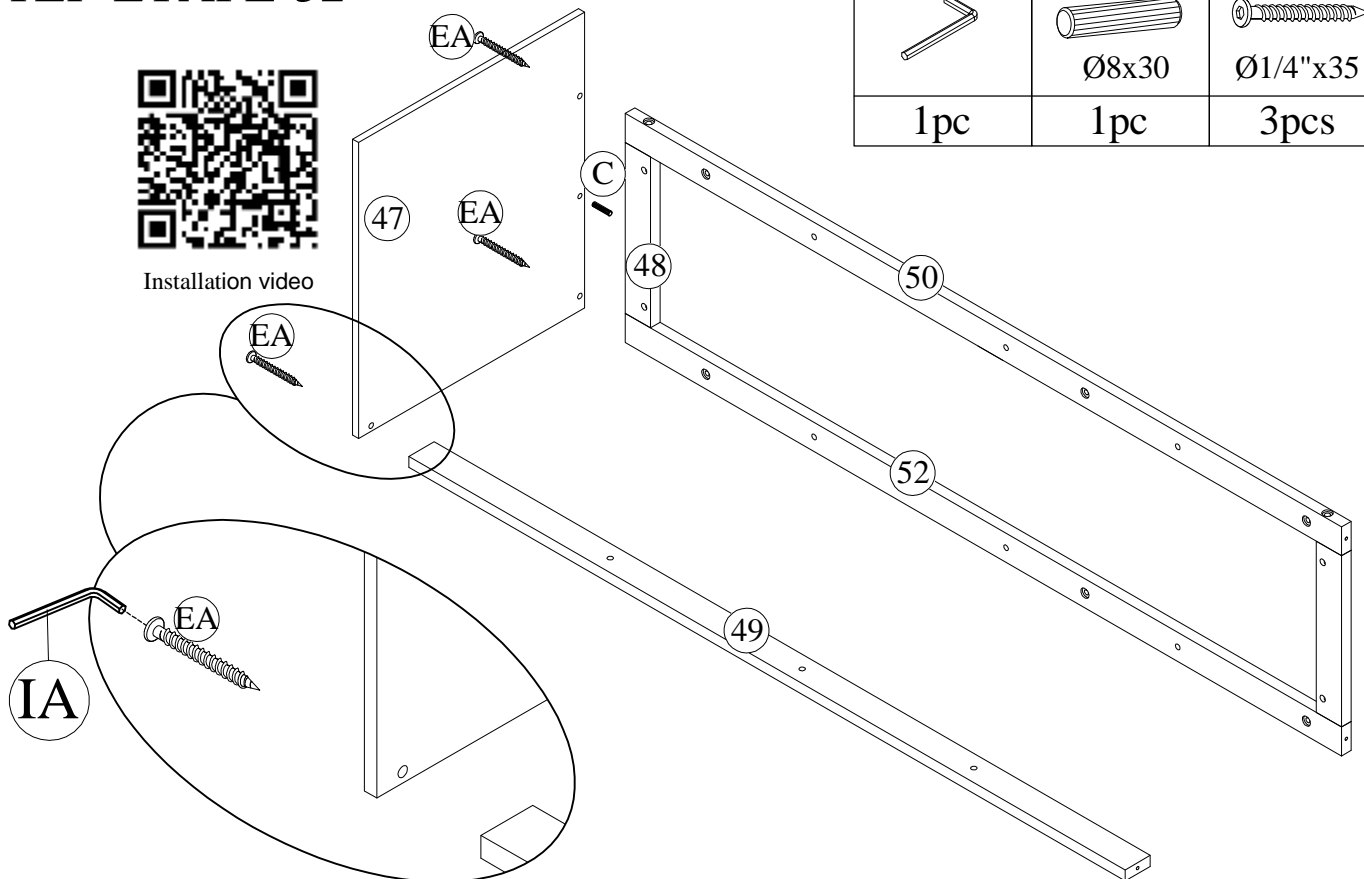


# STEP-ÉTAPE-52



Installation video

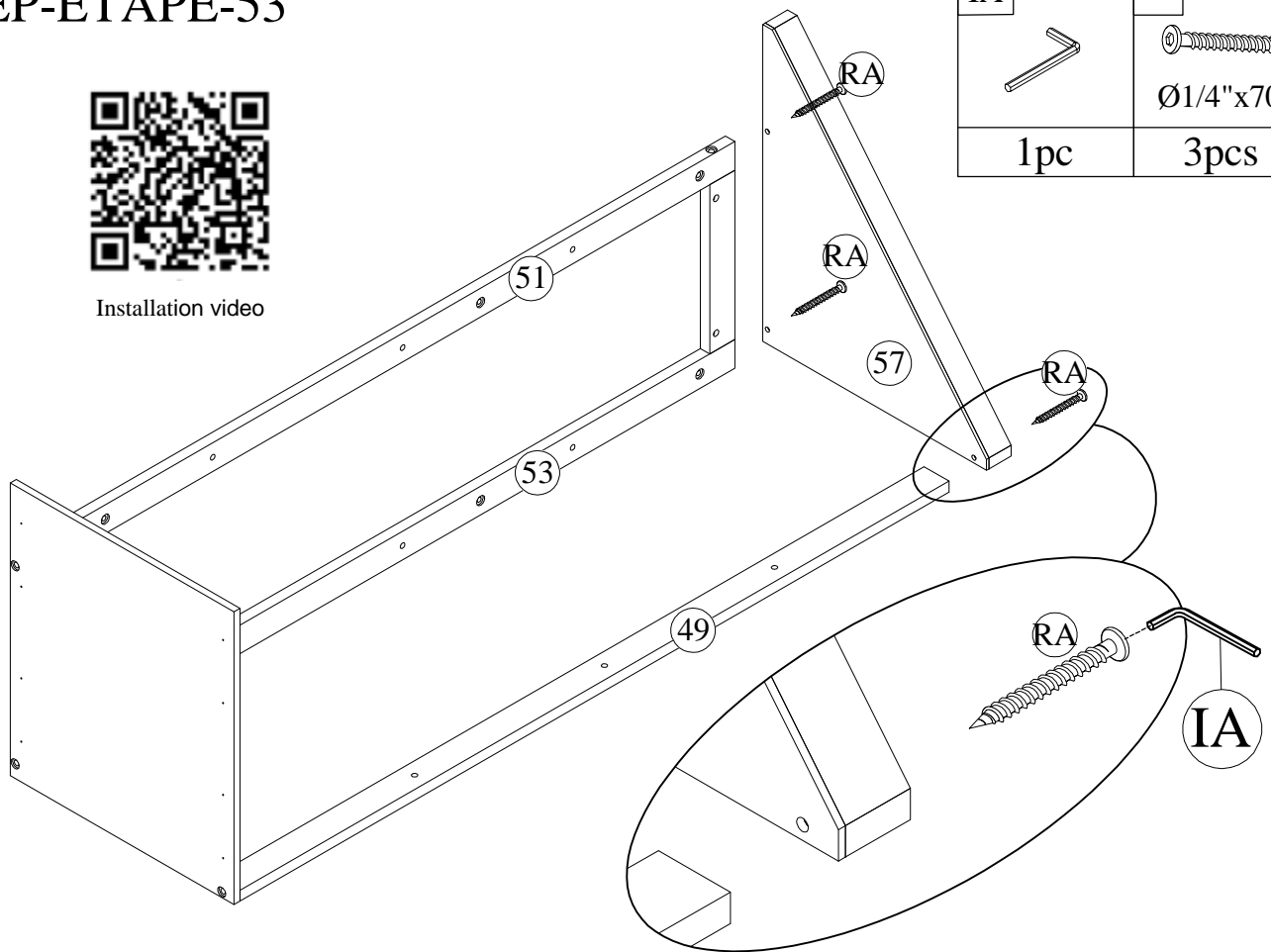
IA	C	EA
1pc	1pc Ø8x30	3pcs Ø1/4"x35



# STEP-ÉTAPE-53



Installation video

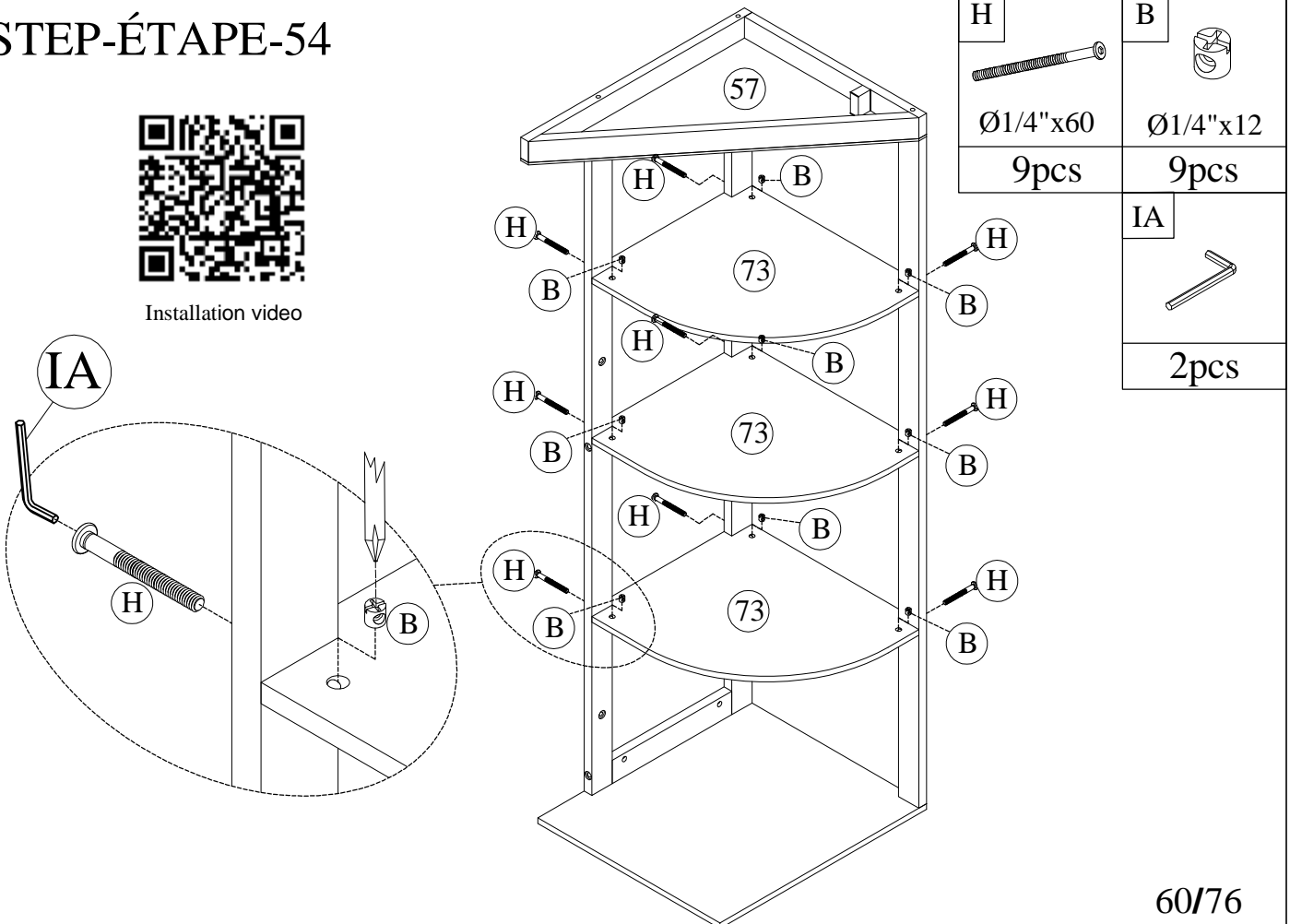


IA	RA
1pc	3pcs

# STEP-ÉTAPE-54



Installation video

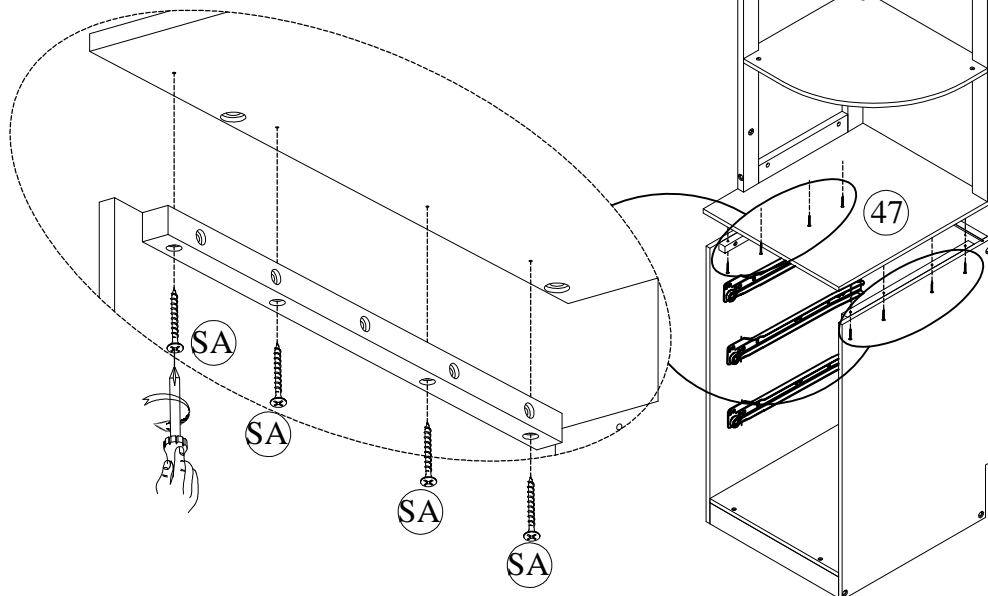


H	B
Ø1/4"x60	Ø1/4"x12
9pcs	9pcs
	IA
	2pcs

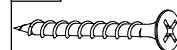
# STEP-ÉTAPE-55



Installation video



SA



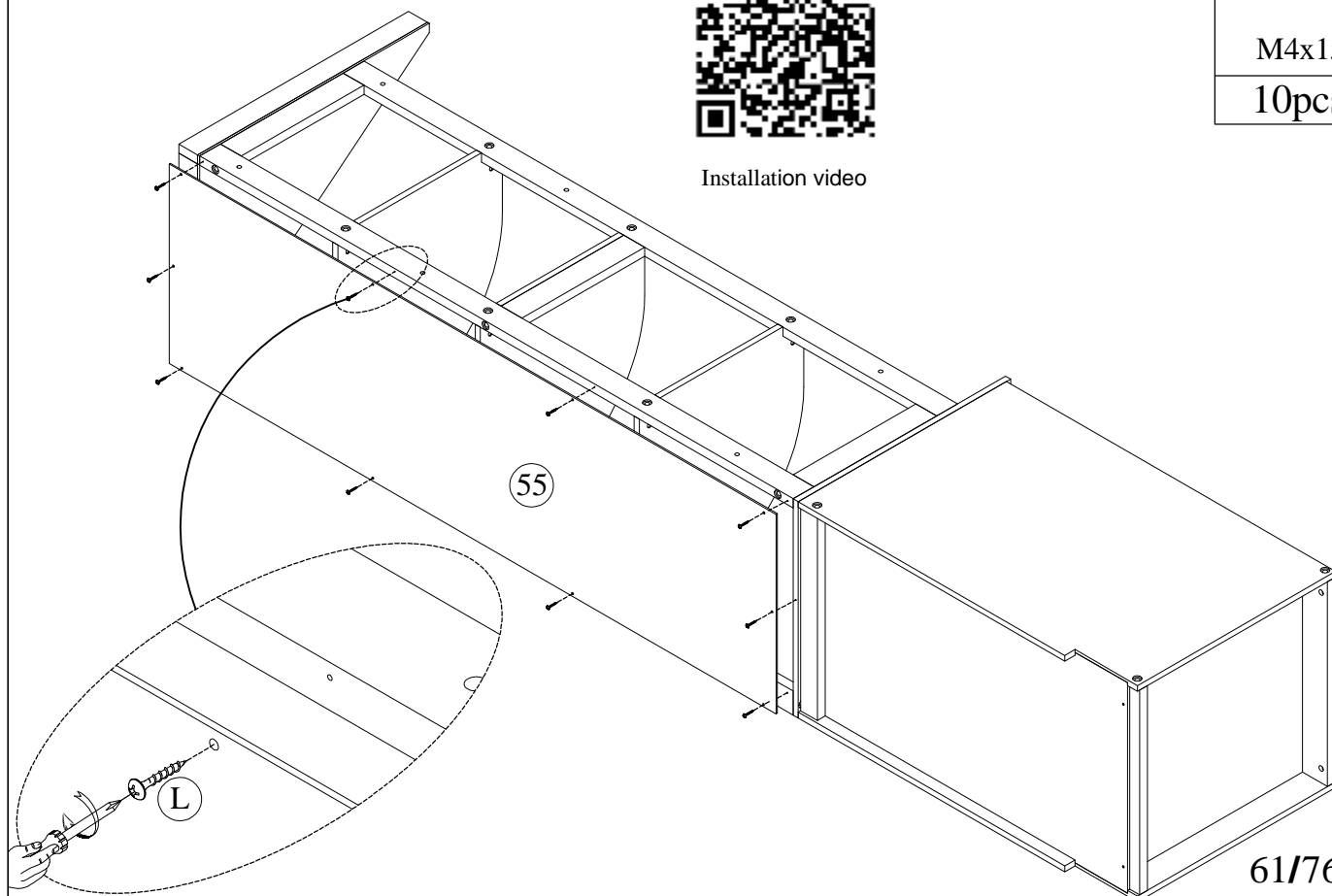
M4x25

8pcs

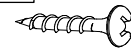
# STEP-ÉTAPE-56



Installation video



L



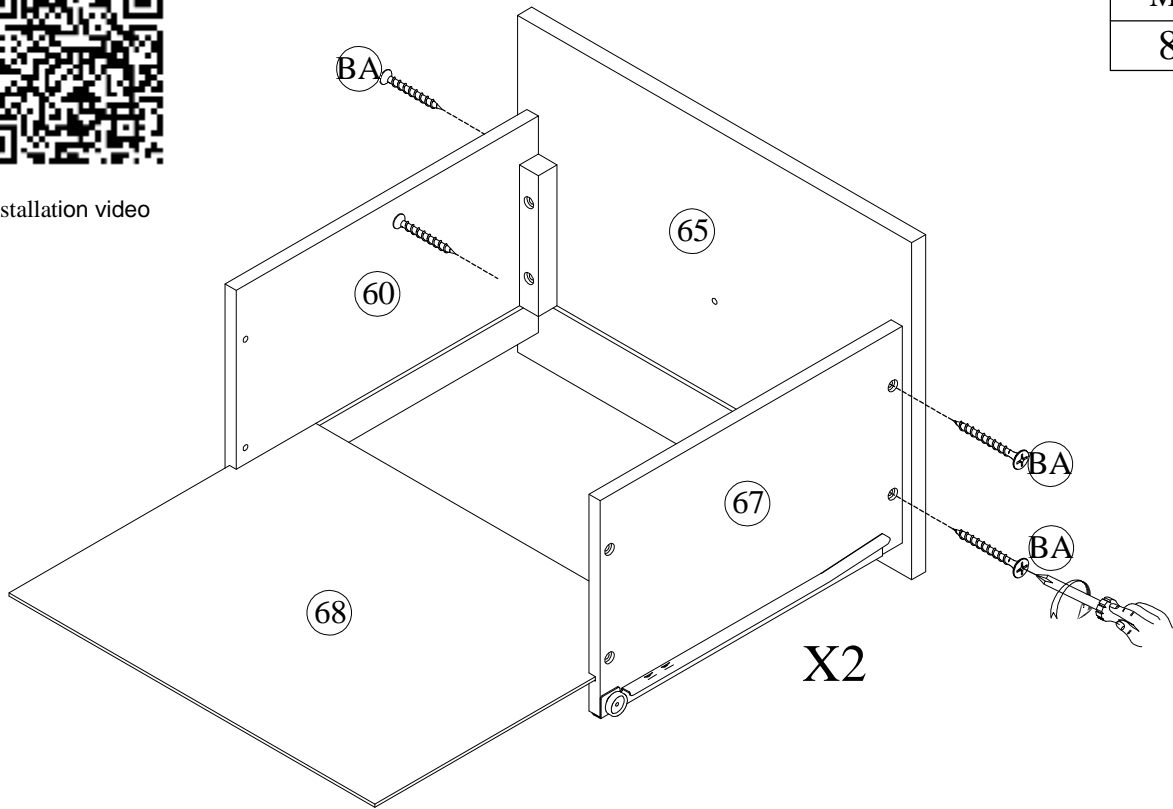
M4x15


10pcs

# STEP-ÉTAPE-57



Installation video

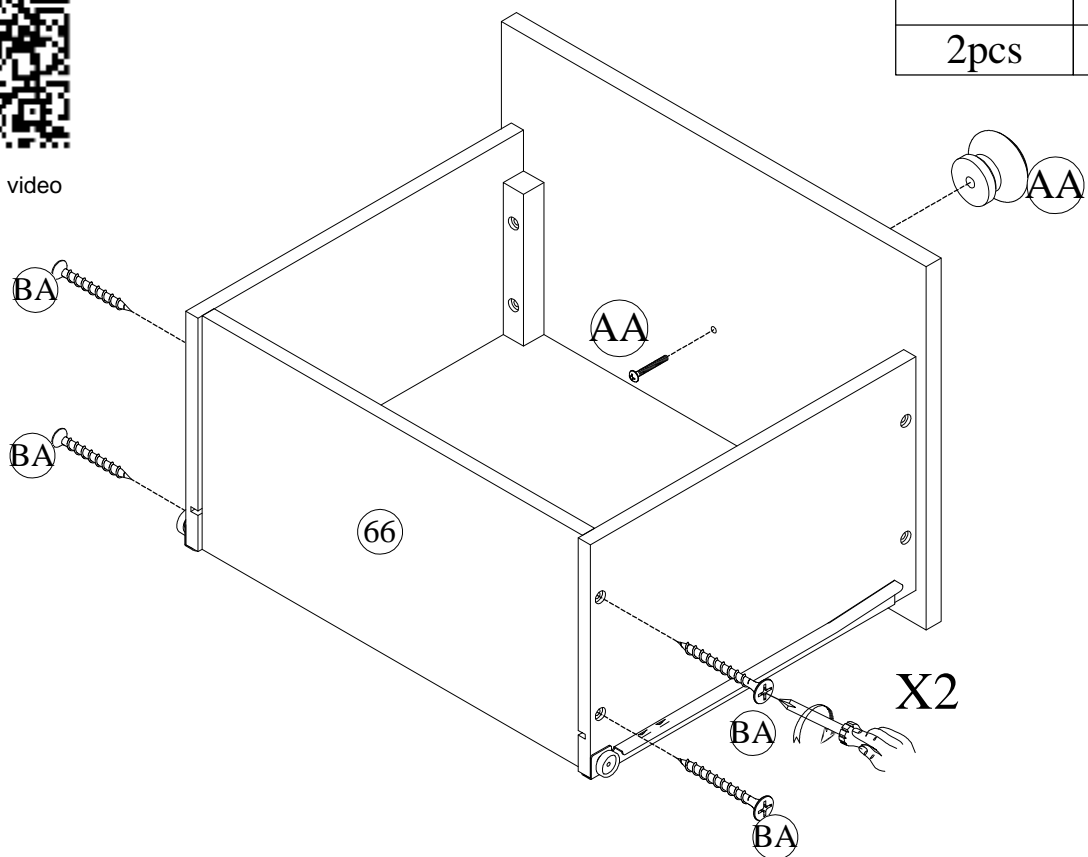




BA

M4x30
8pcs

# STEP-ÉTAPE-58



Installation video




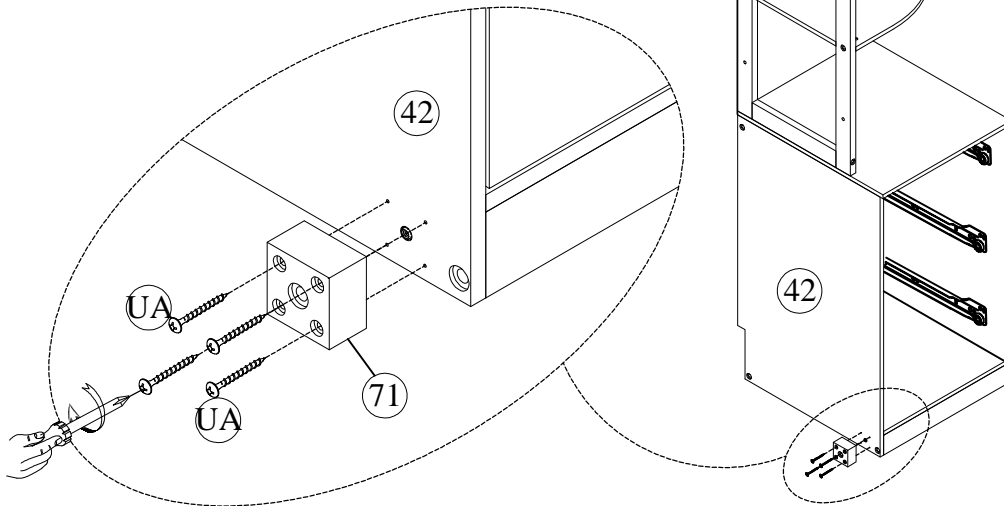
AA	BA
	
2pcs	M4x30
	8pcs

# STEP-ÉTAPE-59



Installation video




UA

M4x35
4pcs

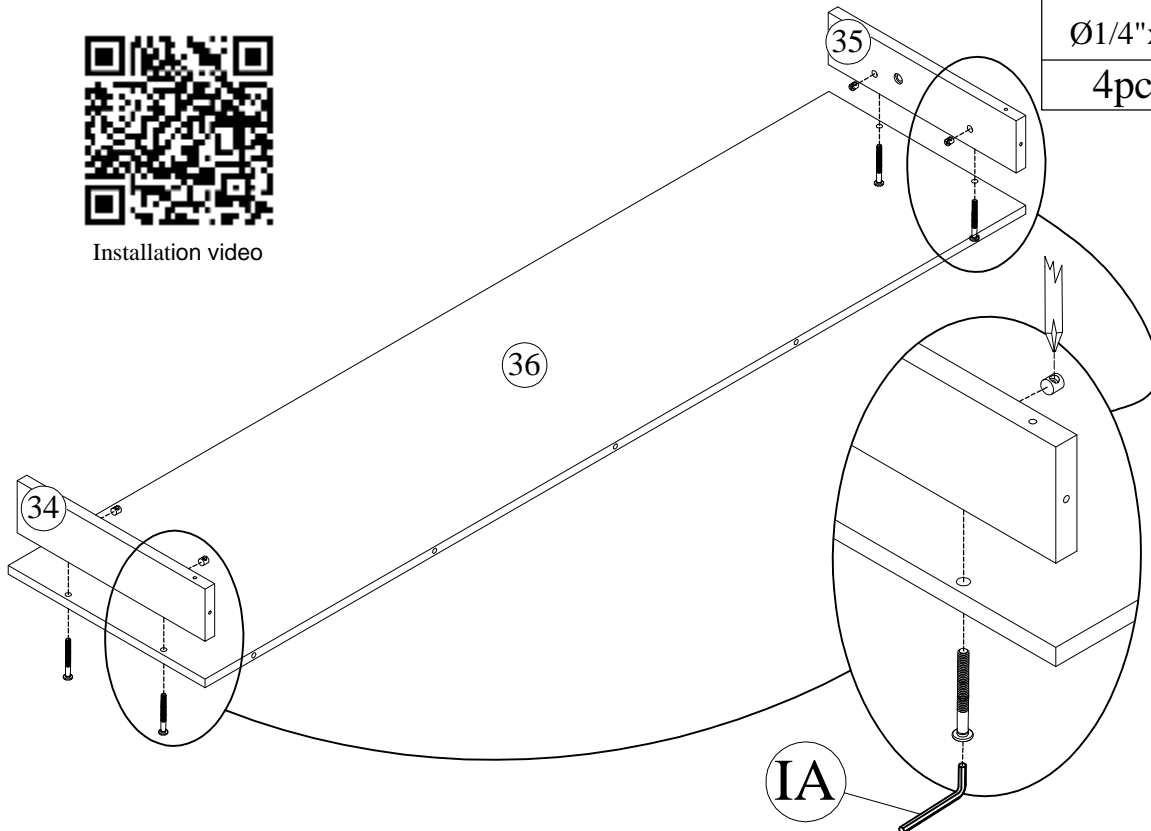


# STEP-ÉTAPE-60



Installation video




B		H	
Ø1/4"x12	4pcs	Ø1/4"x60	4pcs
		IA	
		2pcs	

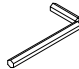


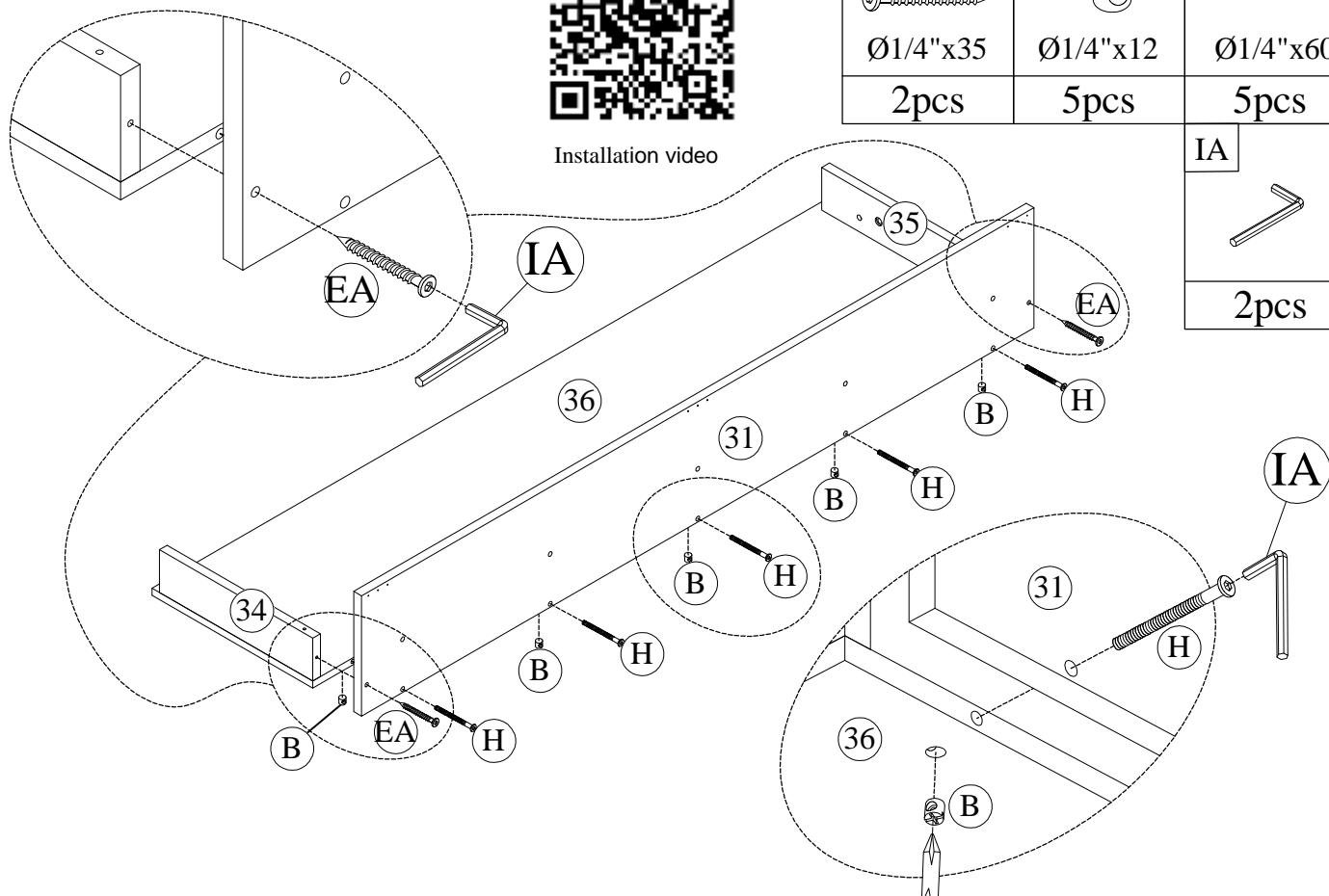
# STEP-ÉTAPE-61



Installation video

EA	B	H
		
Ø1/4"x35	Ø1/4"x12	Ø1/4"x60
2pcs	5pcs	5pcs

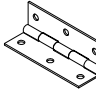

IA

2pcs

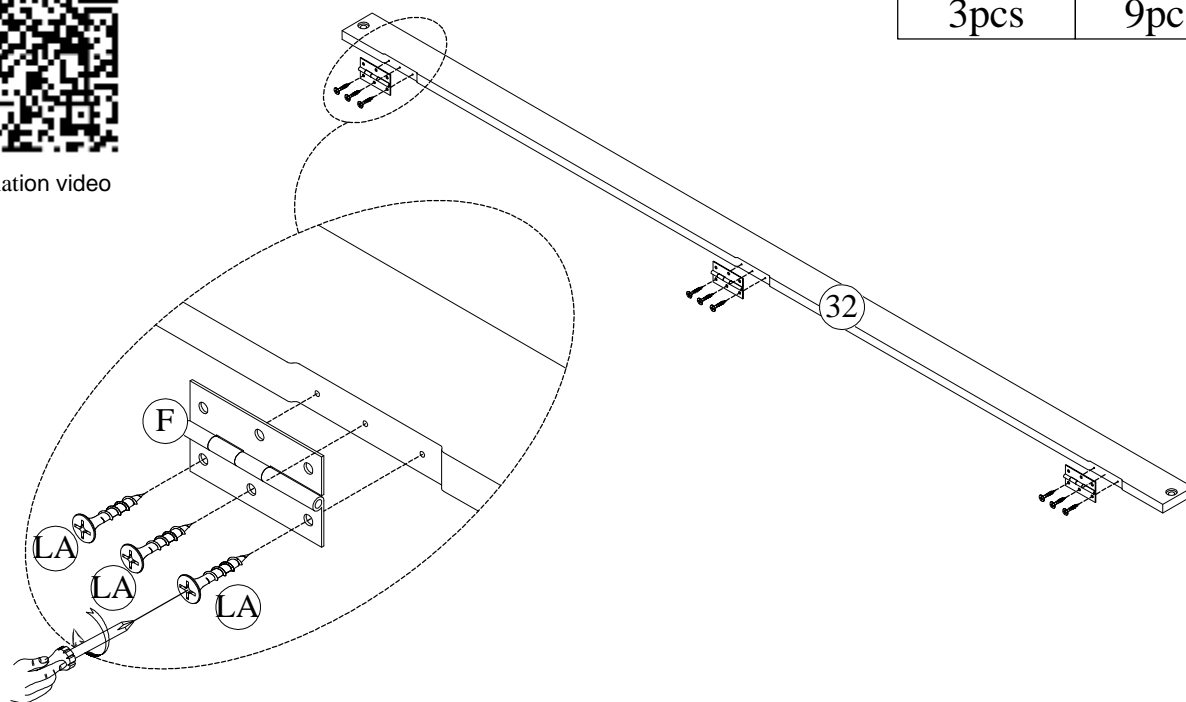


# STEP-ÉTAPE-62

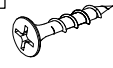


Installation video

F	LA
	
3pcs	M3x15
	9pcs

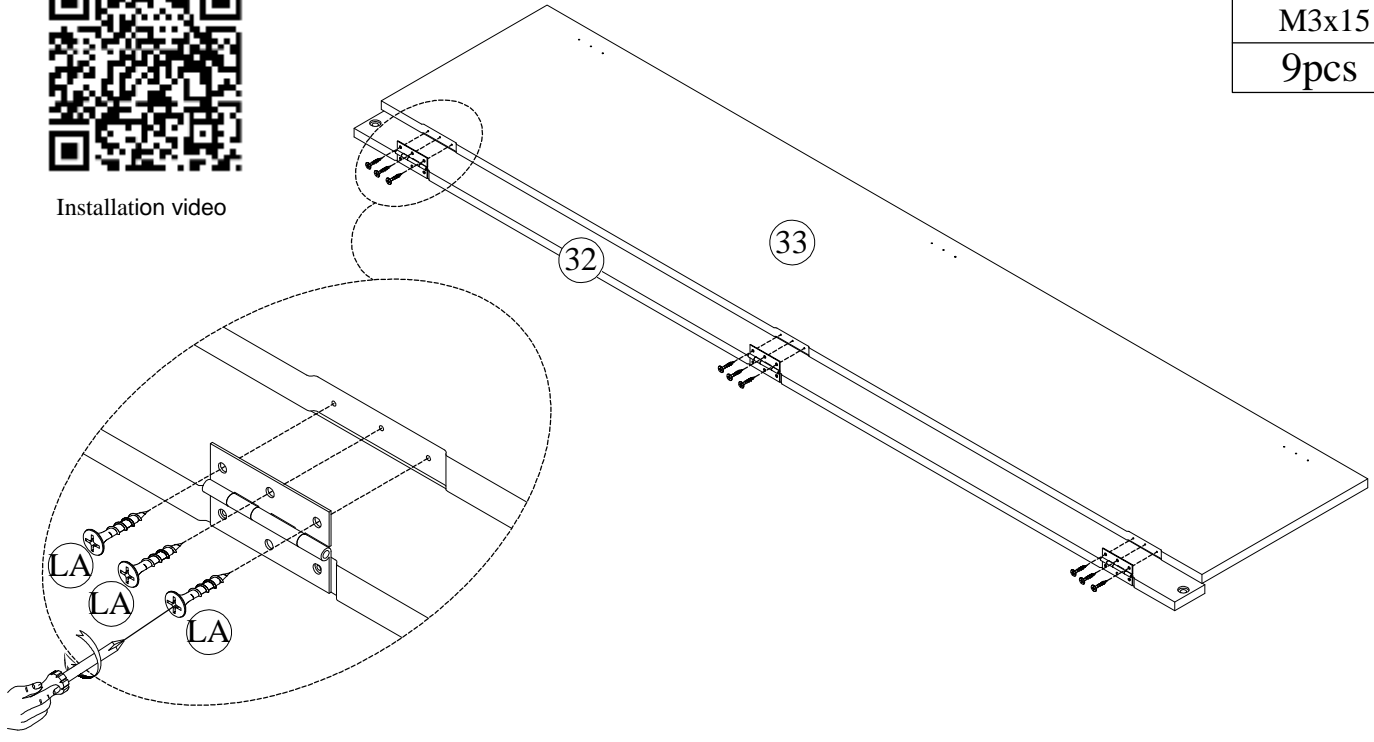


# STEP-ÉTAPE-63

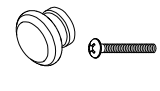
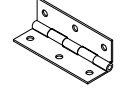
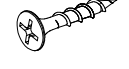
LA	
	M3x15
	9pcs



Installation video

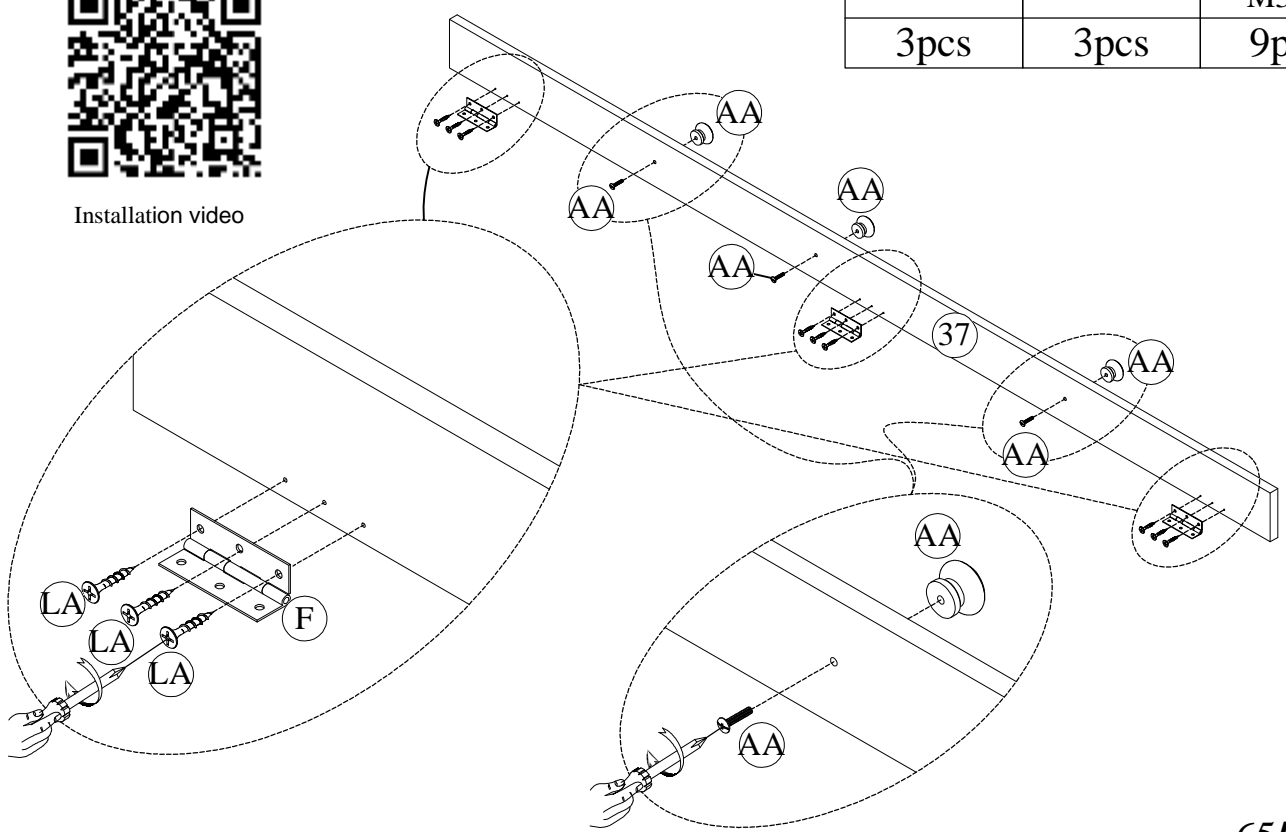


# STEP-ÉTAPE-64

AA	F	LA
		
3pcs	3pcs	M3x15 9pcs



Installation video

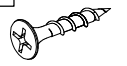


# STEP-ÉTAPE-65



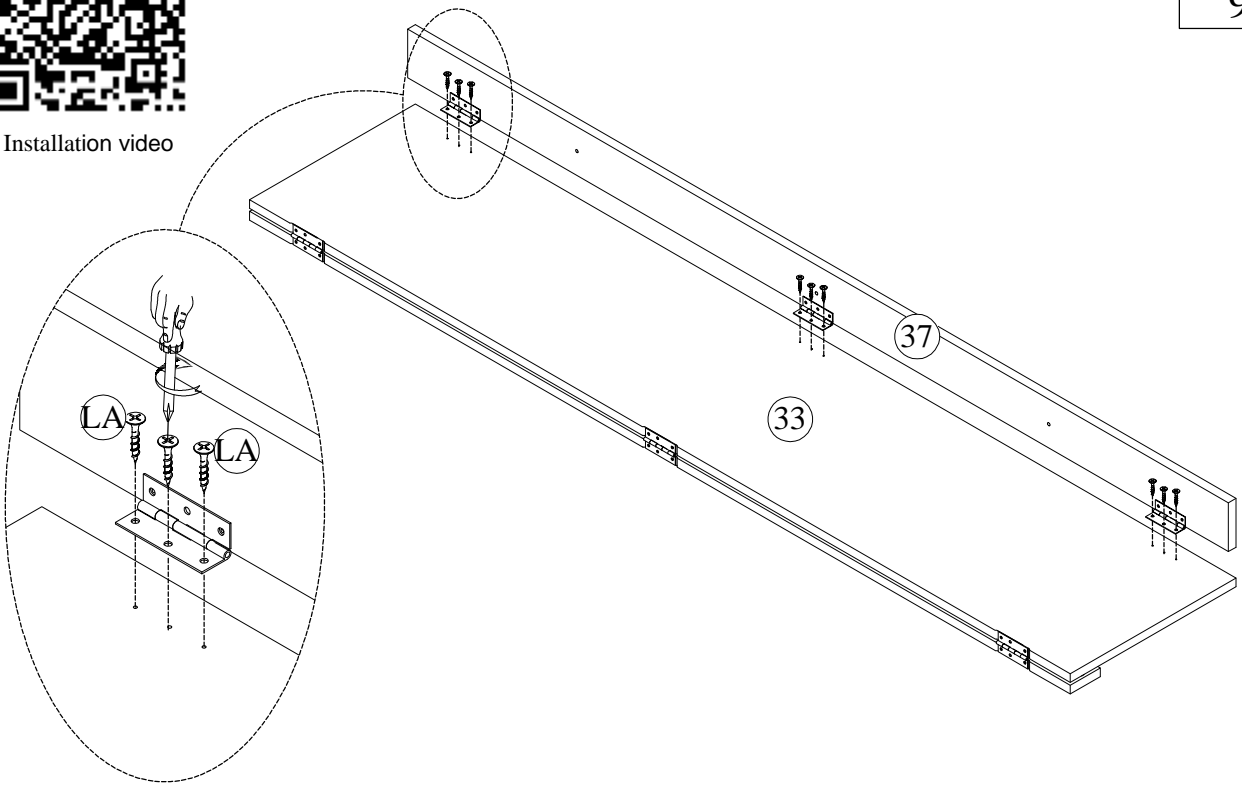
Installation video

LA



M3x15

9pcs



# STEP-ÉTAPE-66



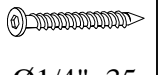
Installation video

IA



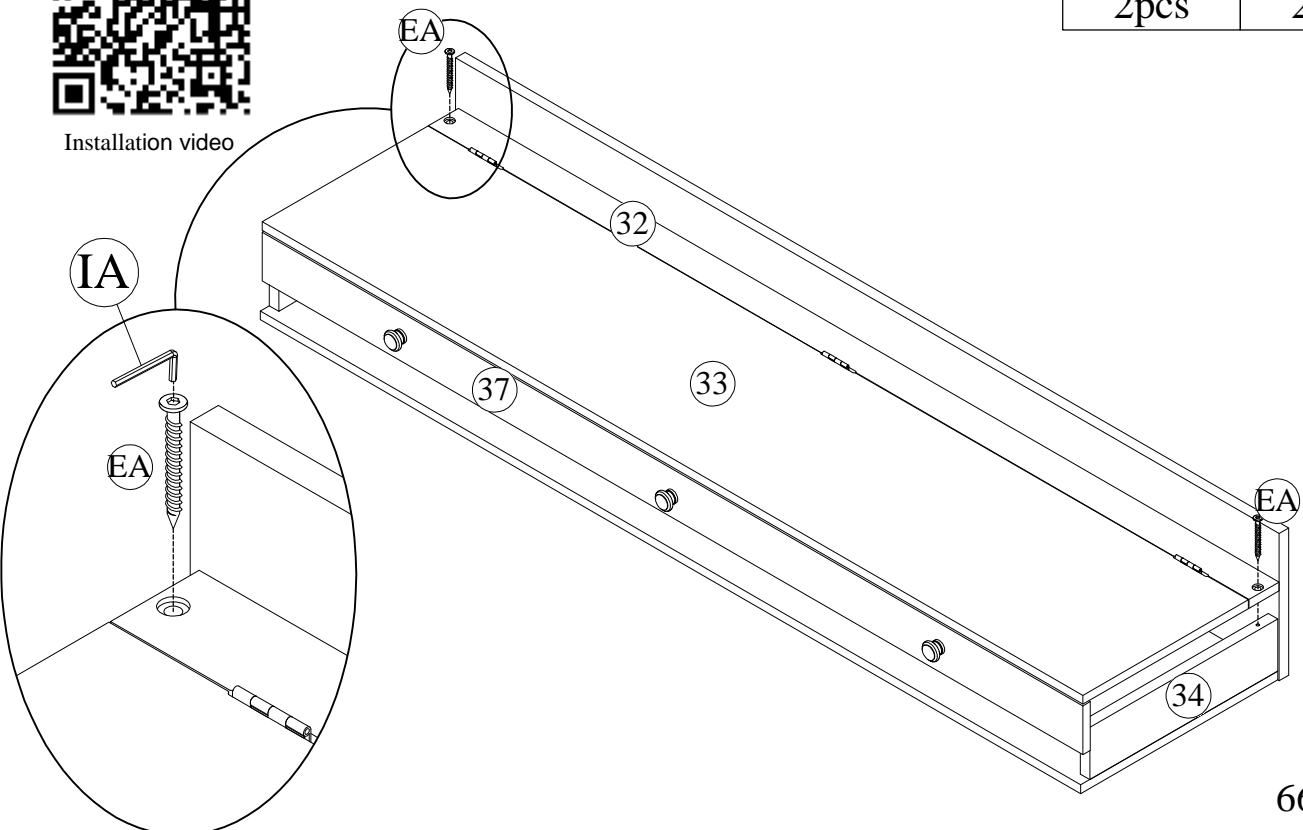
2pcs

EA



Ø1/4"x35

2pcs

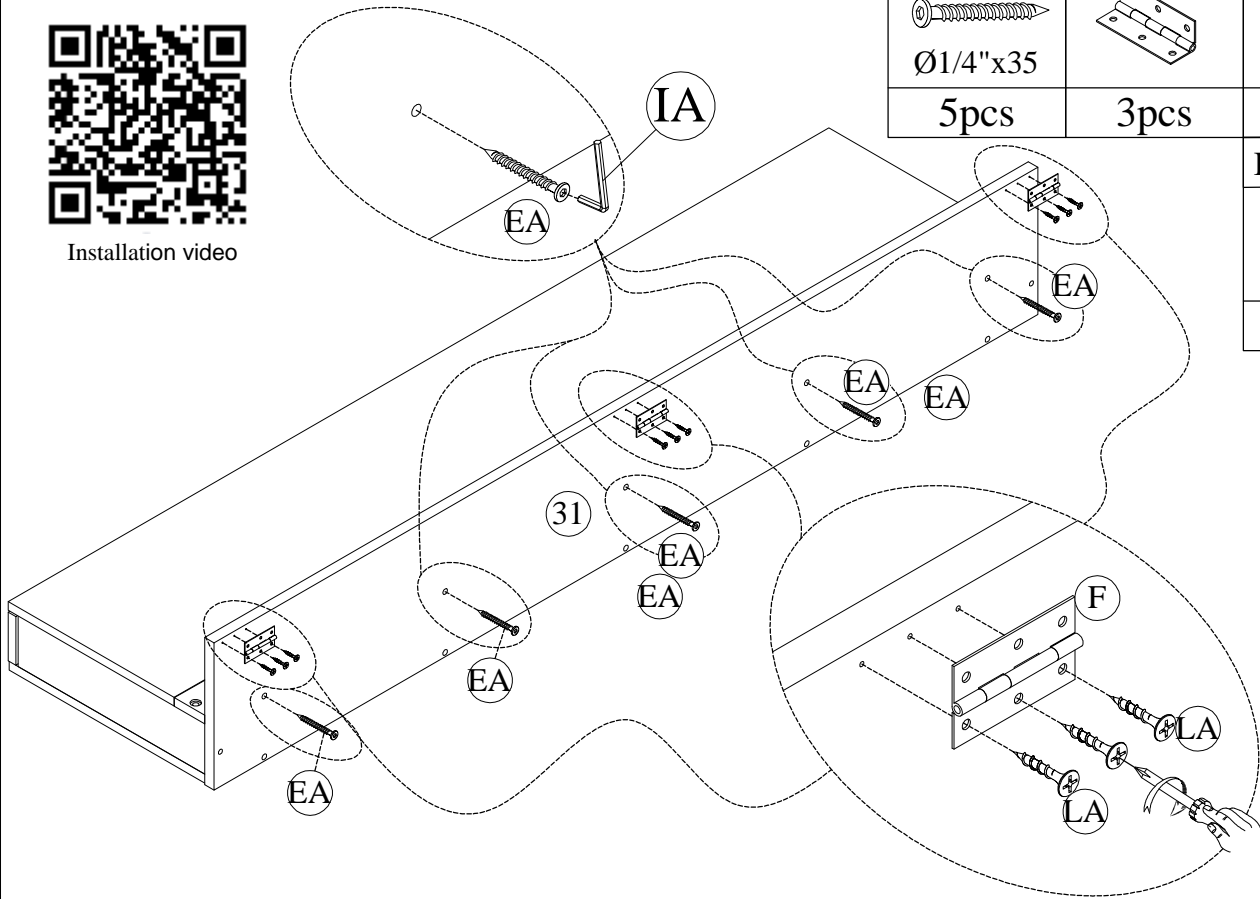



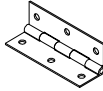
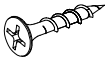
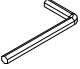
66/76

# STEP-ÉTAPE-67

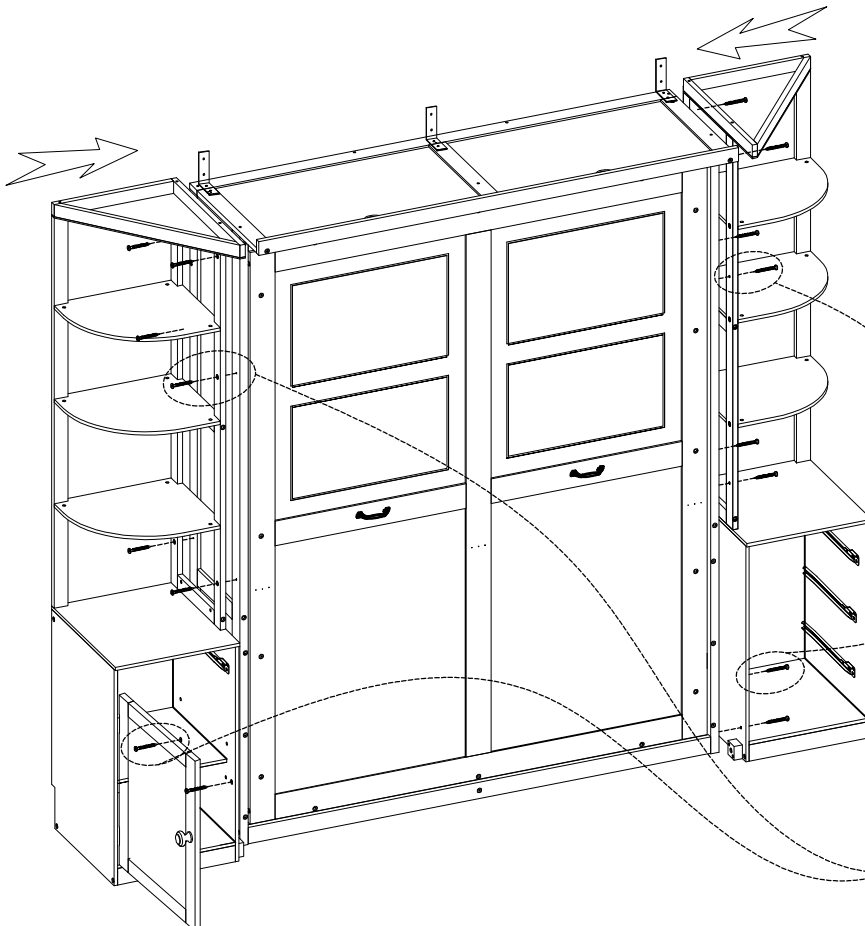


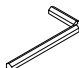

Installation video



EA	F	LA
 Ø1/4"x35		 M3x15
5pcs	3pcs	9pcs
		IA
		
		2pcs

# STEP-ÉTAPE-68



IA	EA
	 Ø1/4"x35
2pcs	16pcs



Installation video

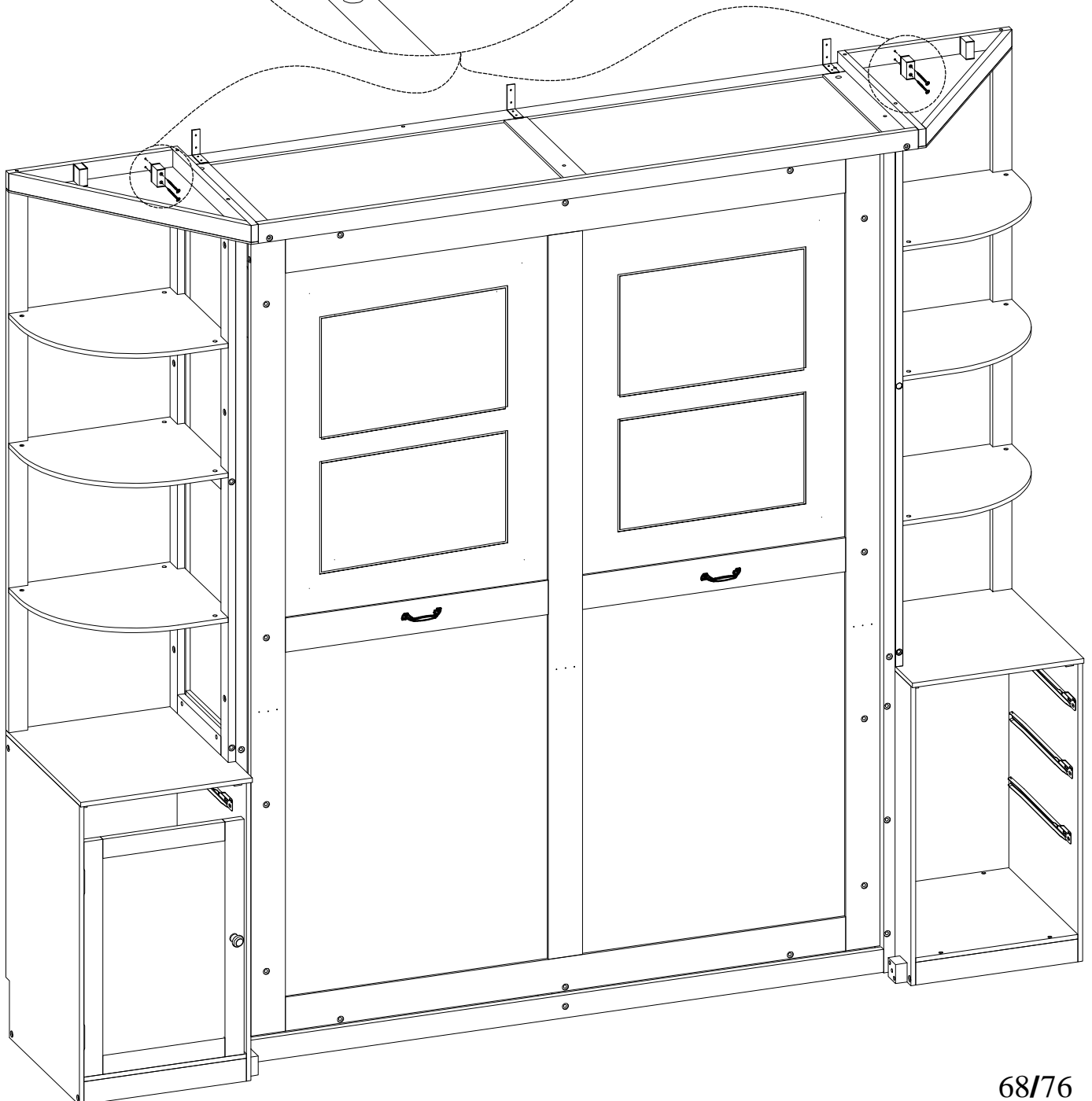
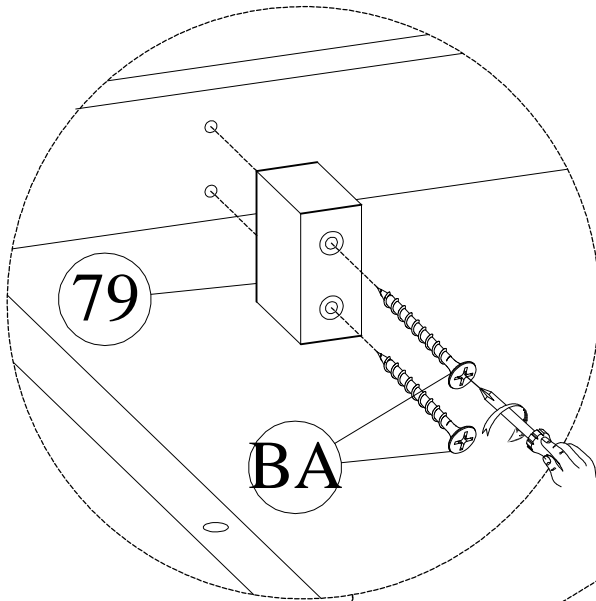
# STEP-ÉTAPE-69

BA



M4x30

4pcs

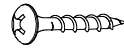


68/76

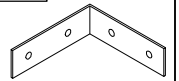
# STEP-ÉTAPE-70

T

DA

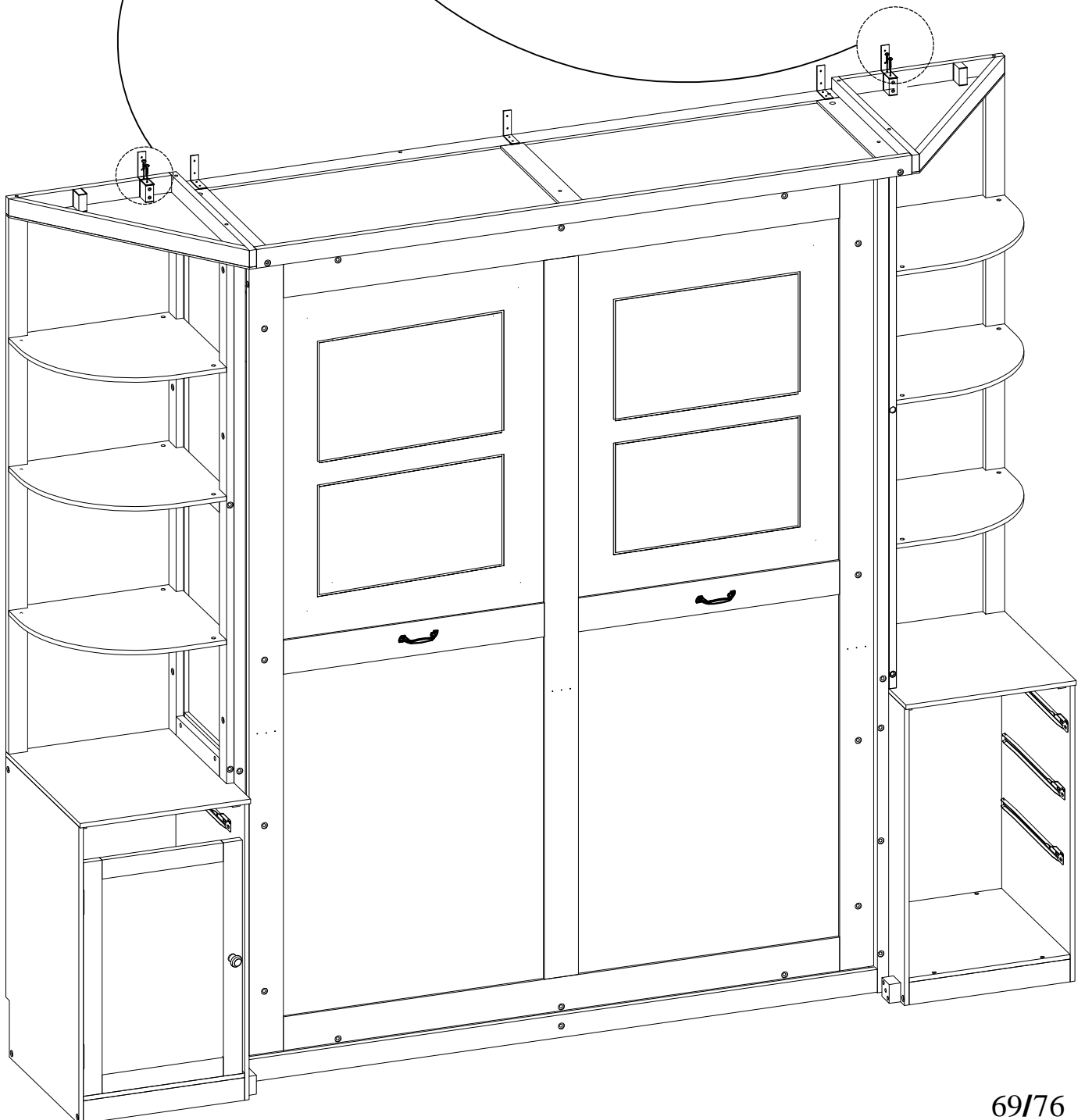
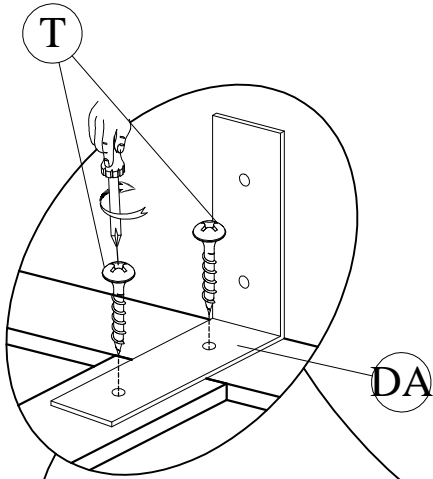


M4x20



4pcs


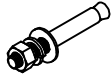
2pcs

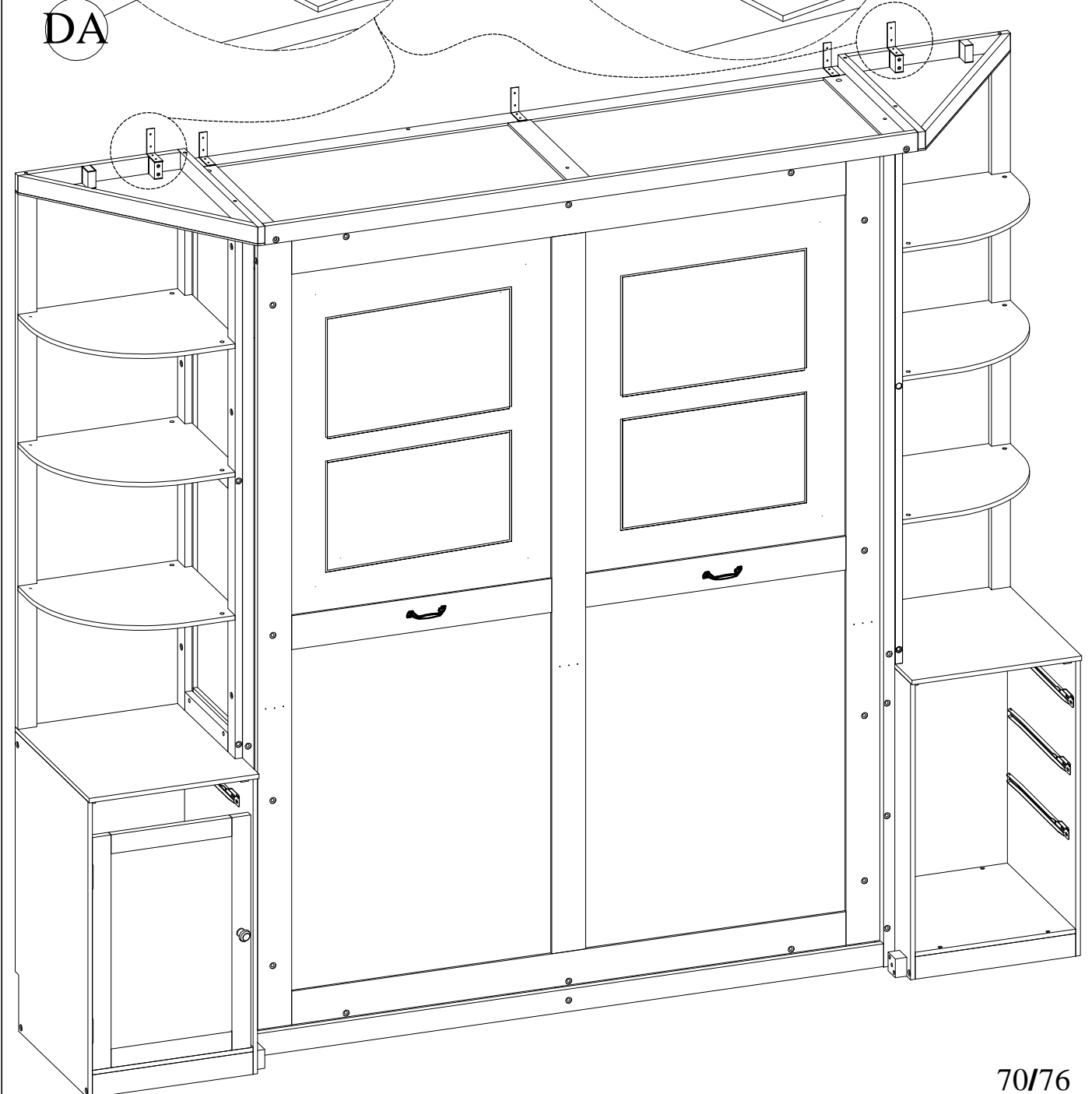
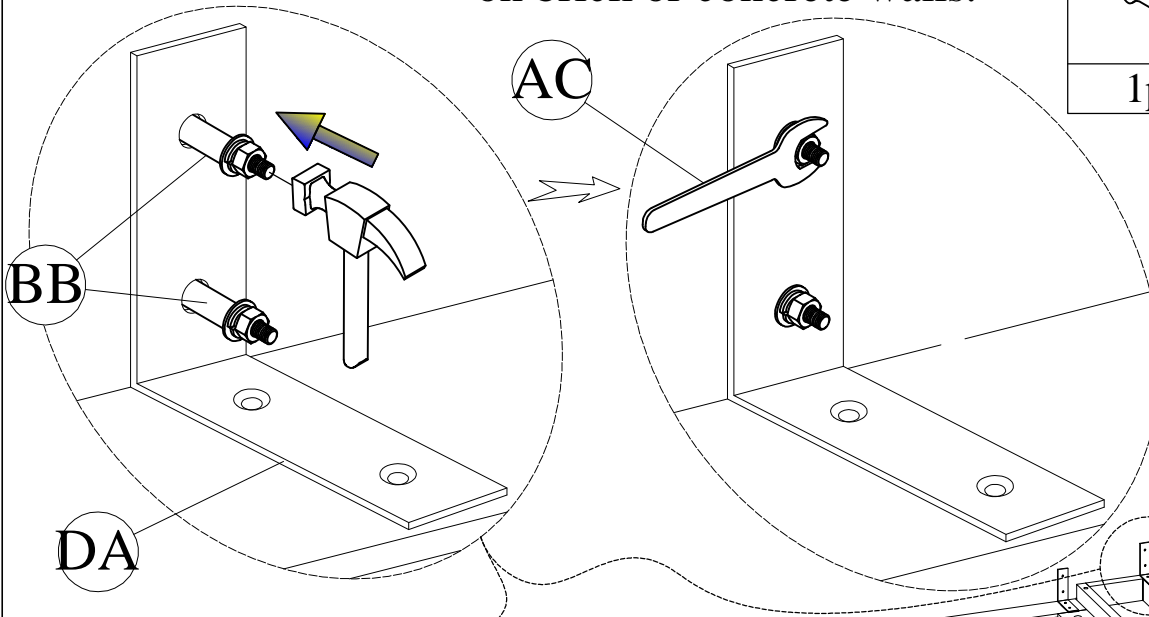


69/76

# STEP-ÉTAPE-71


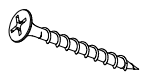
This accessory is for use on brick or concrete walls.

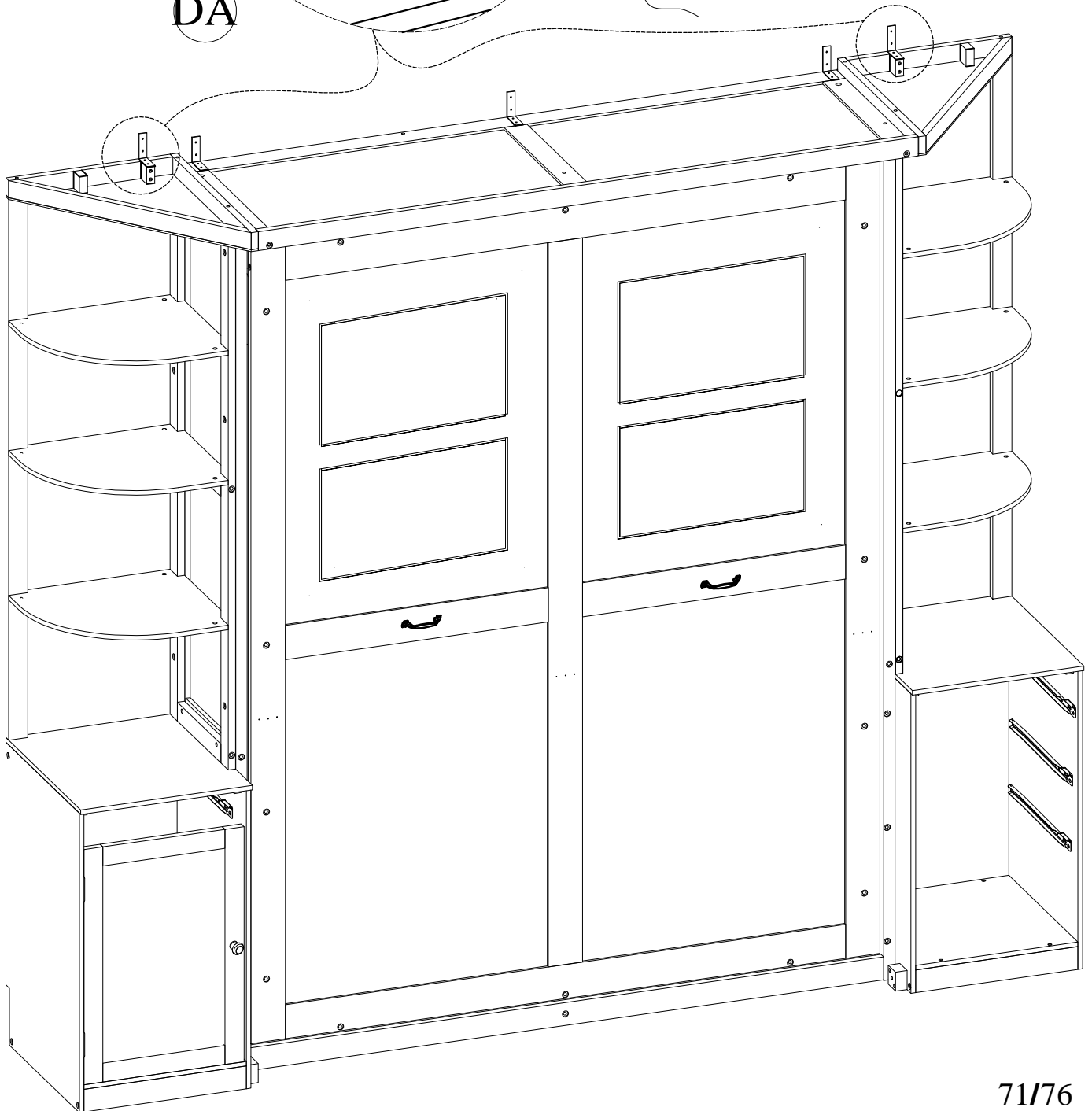
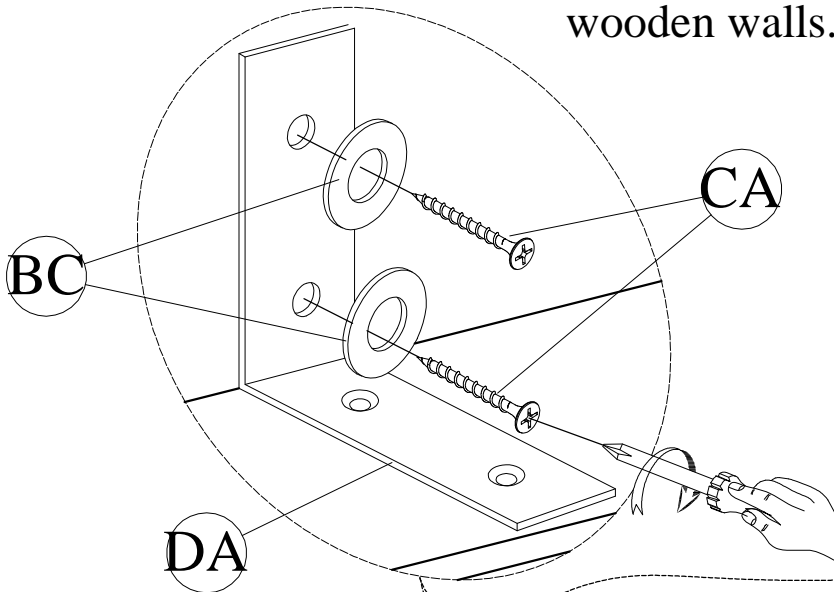
AC	BB
	
1pc	4pcs



# STEP-ÉTAPE-72

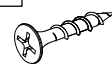
This accessory is for wooden walls.

BC	CA
	
4pcs	4pcs



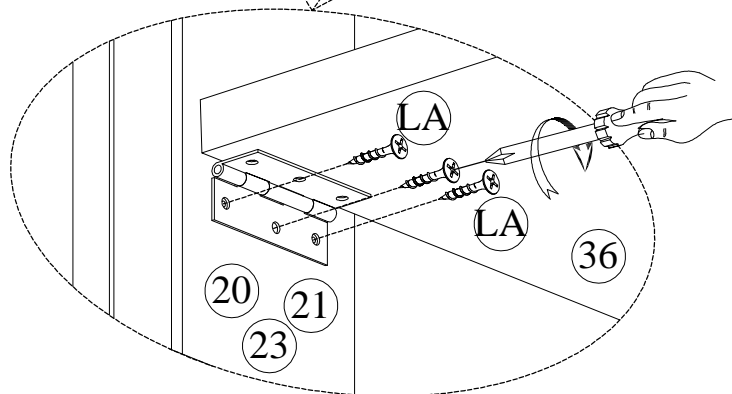
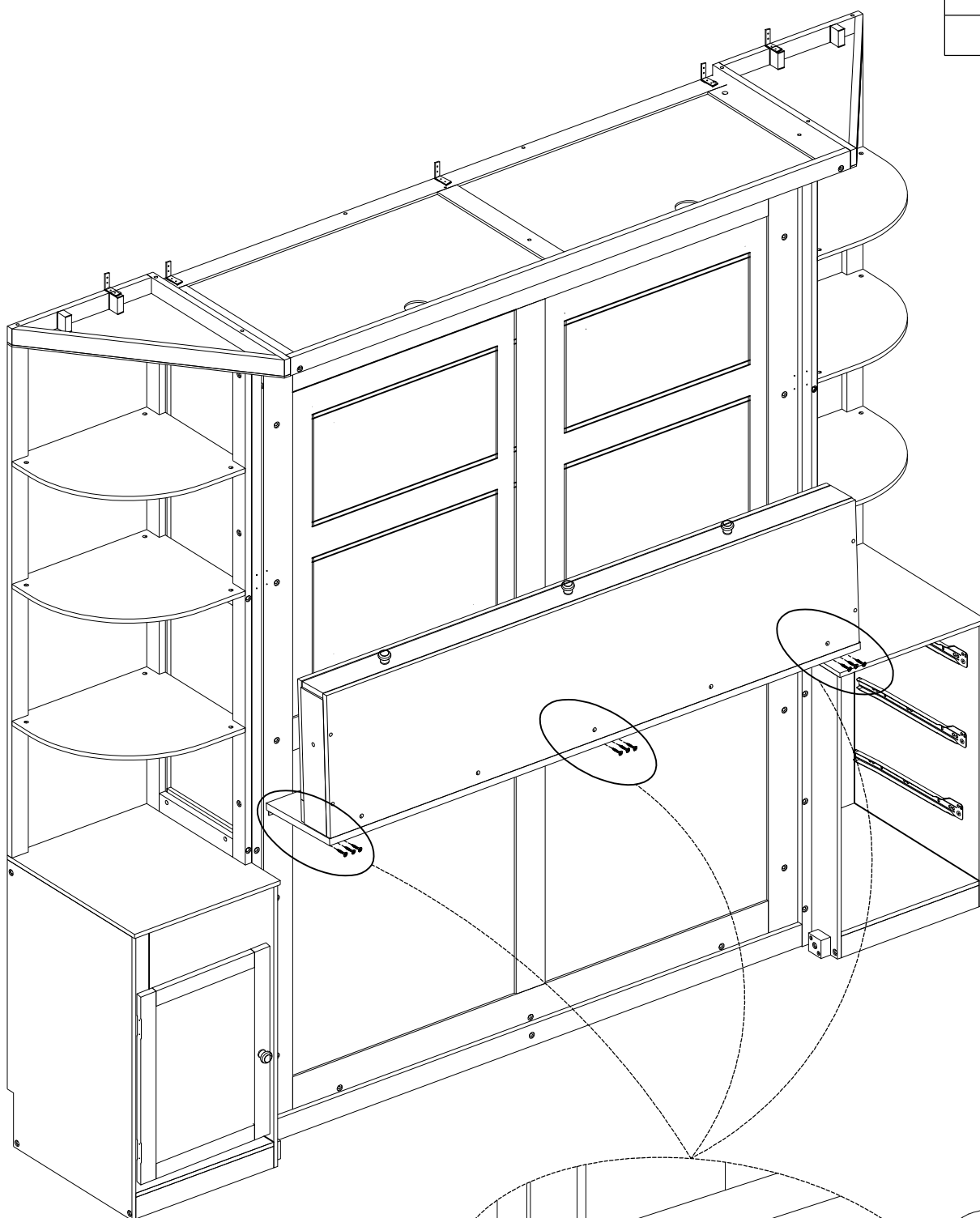
# STEP-ÉTAPE-73

LA



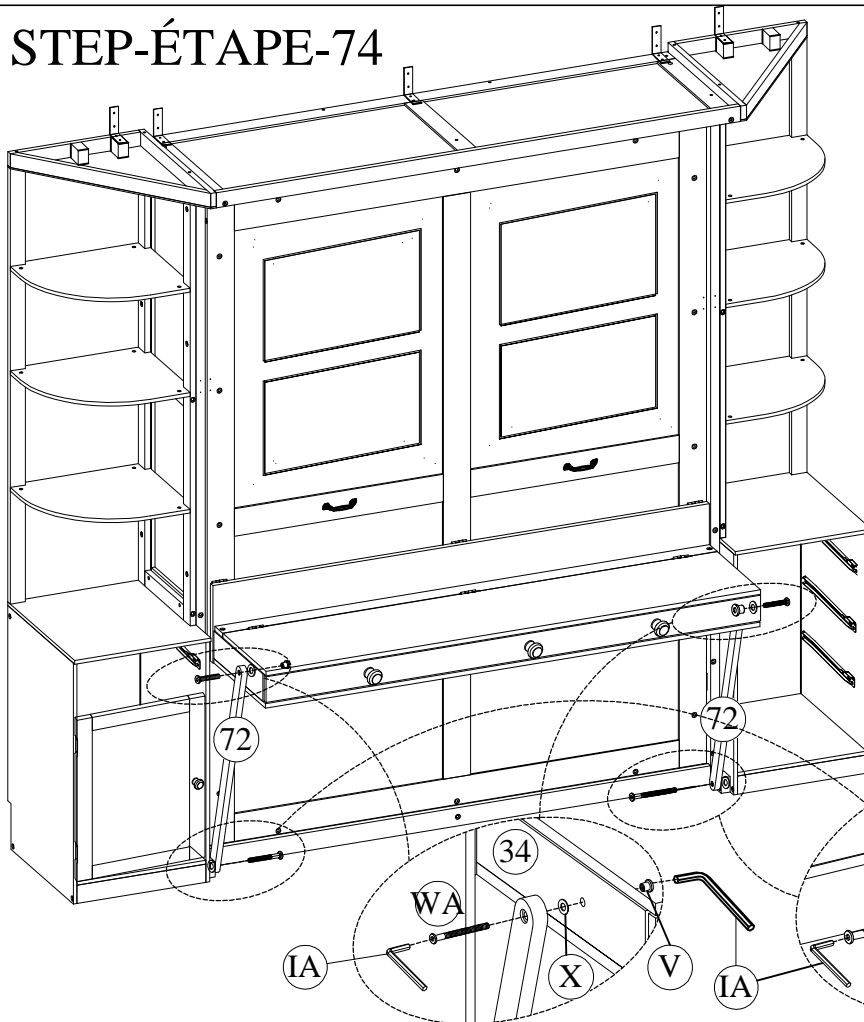
M3x15




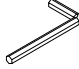

9pcs



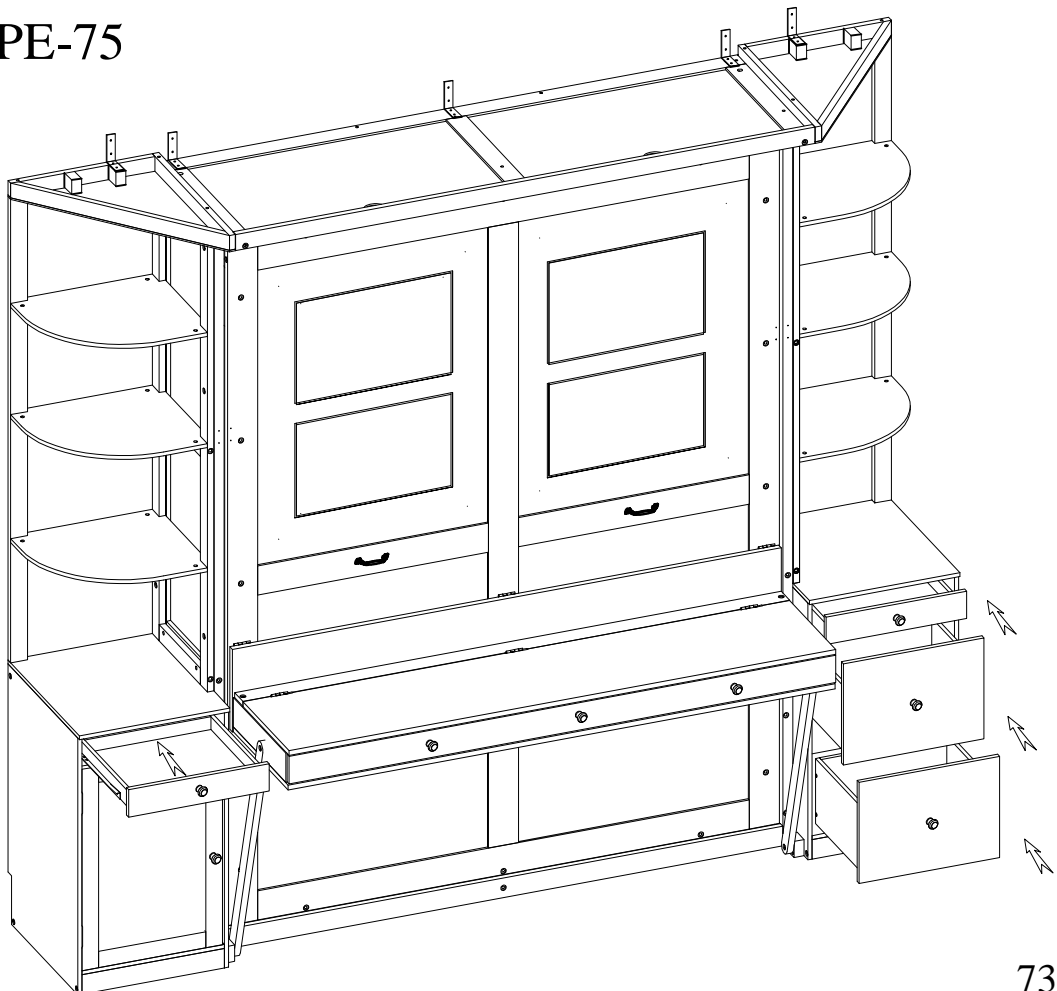
72/76

# STEP-ÉTAPE-74

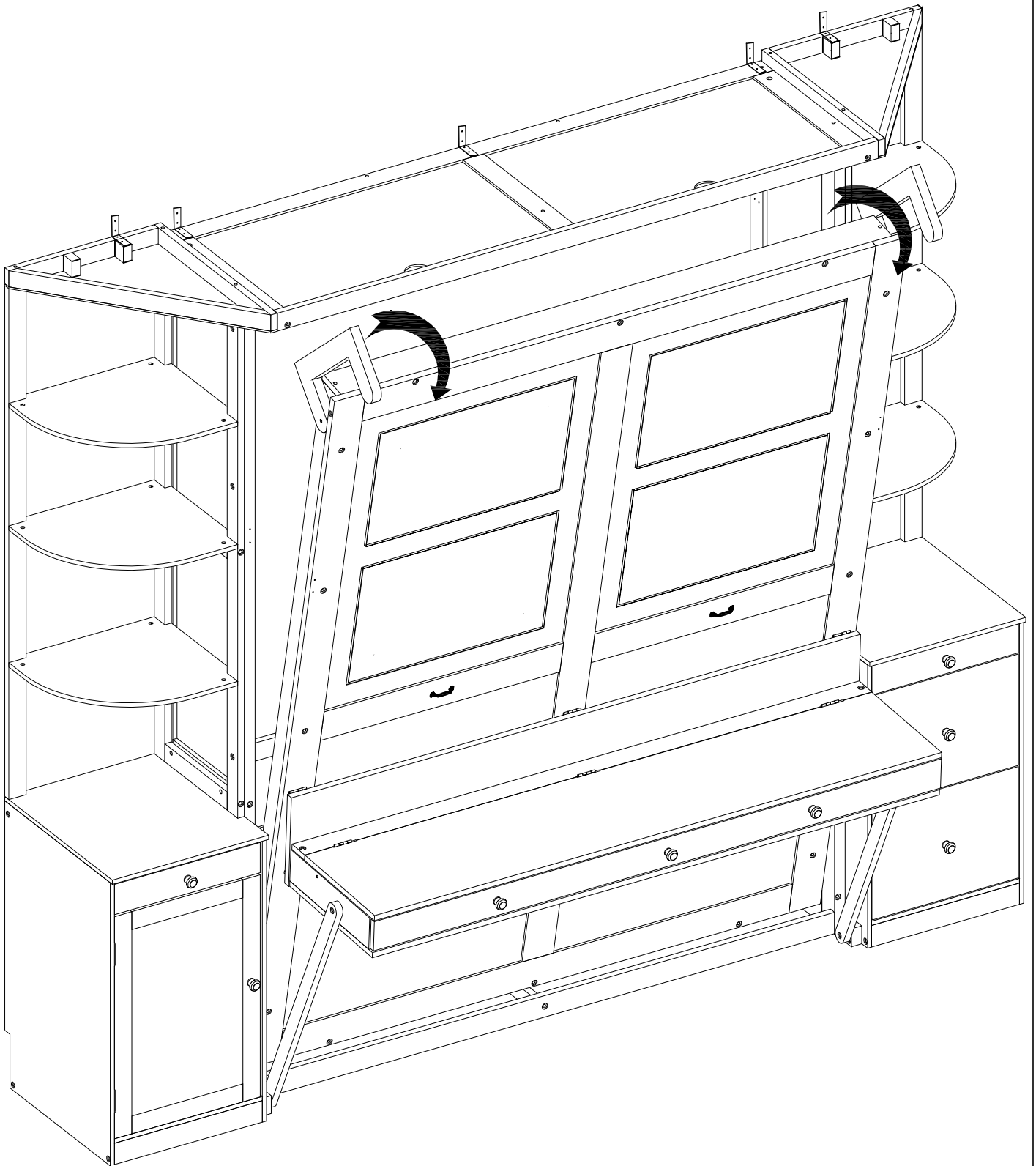


X	WA	H
		
4pcs	Ø1/4"x30 2pcs	Ø1/4"x60 2pcs
IA	V	
		
2pcs	2pcs	

# STEP-ÉTAPE-75

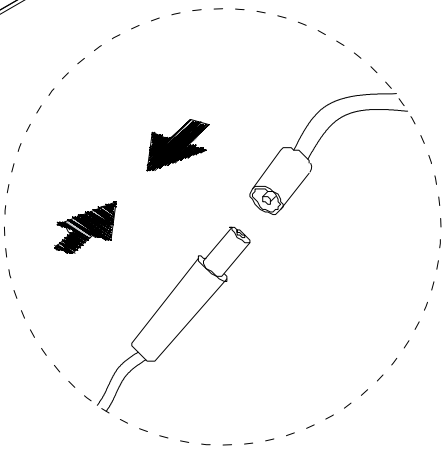
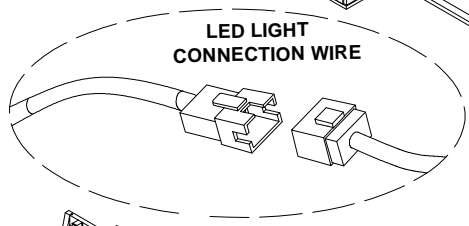
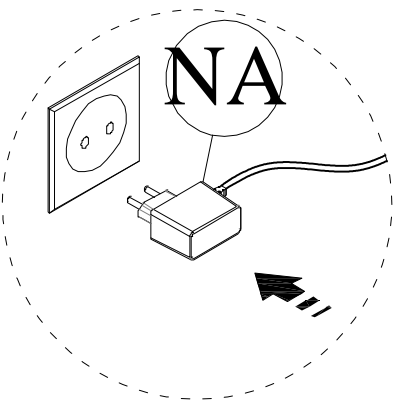
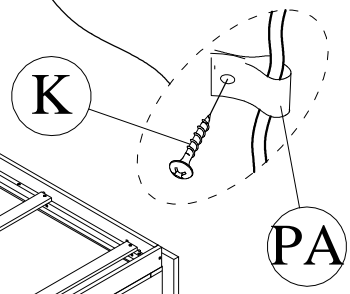
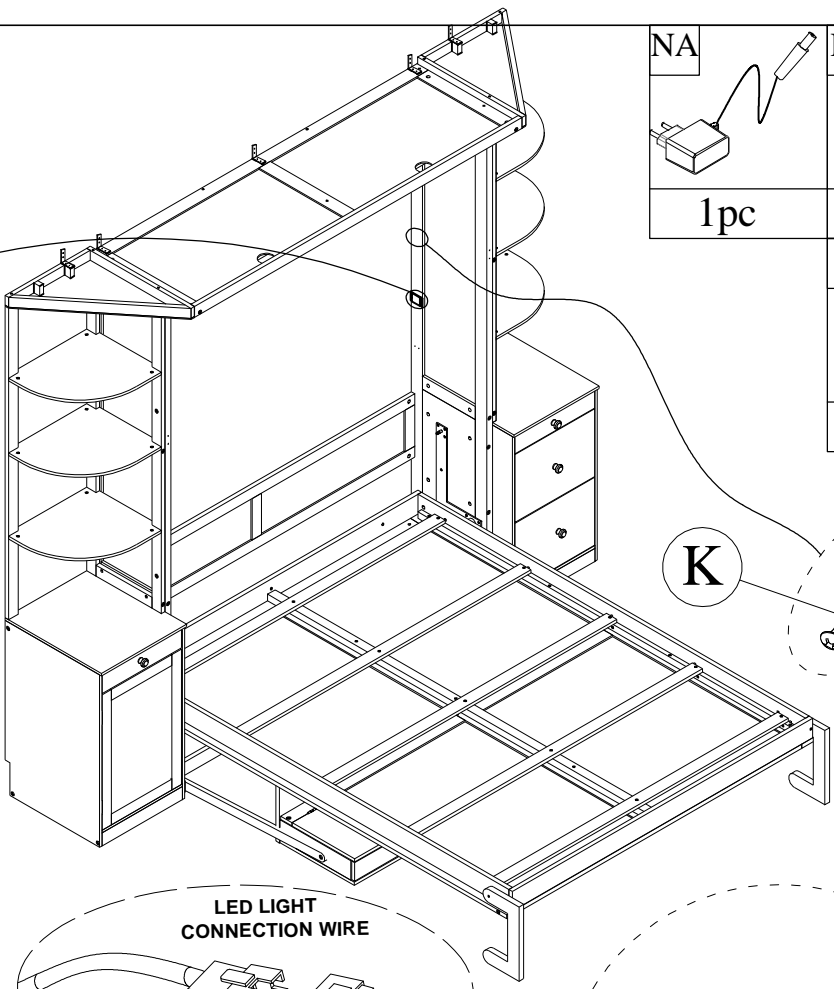
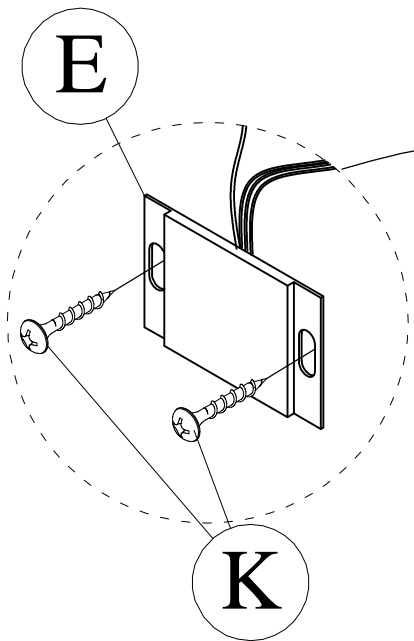


# STEP-ÉTAPE-76

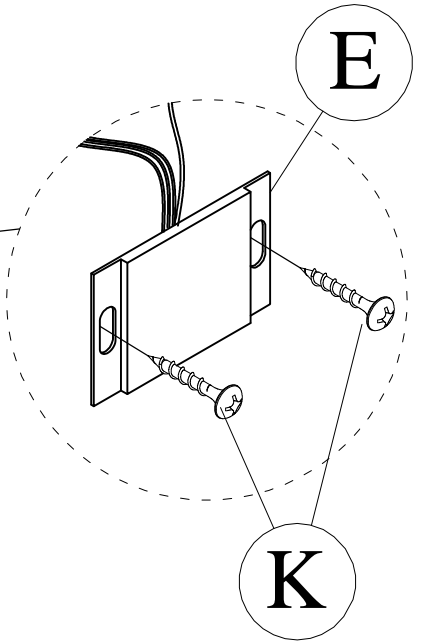
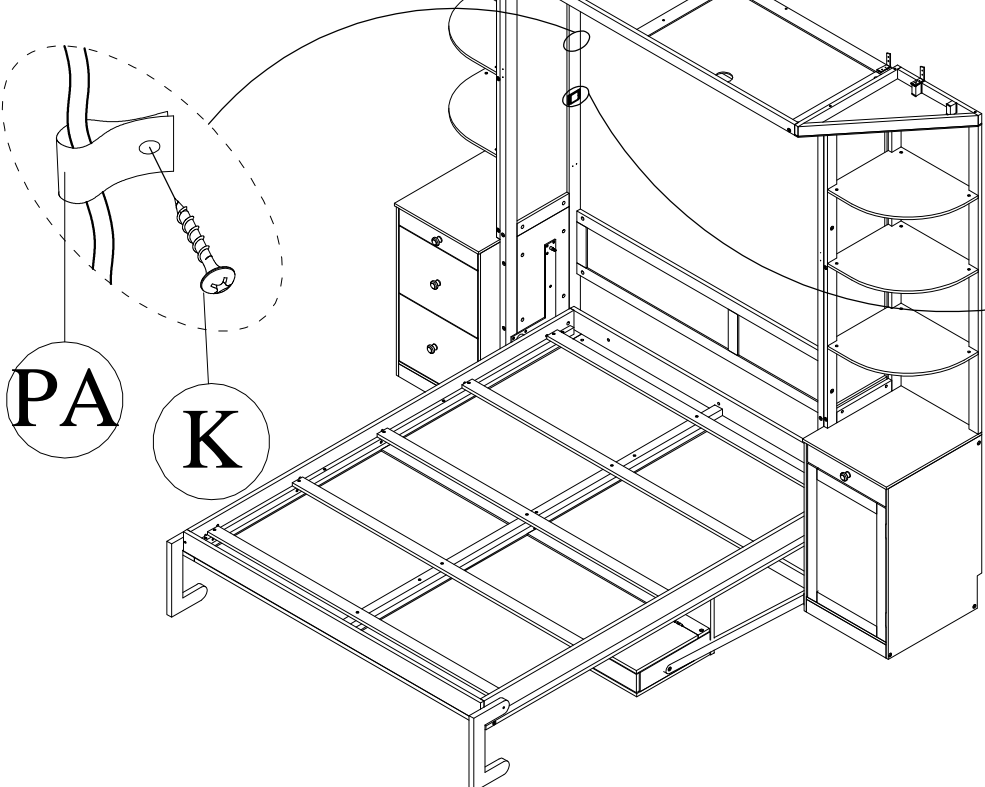


# STEP-ÉTAPE-77

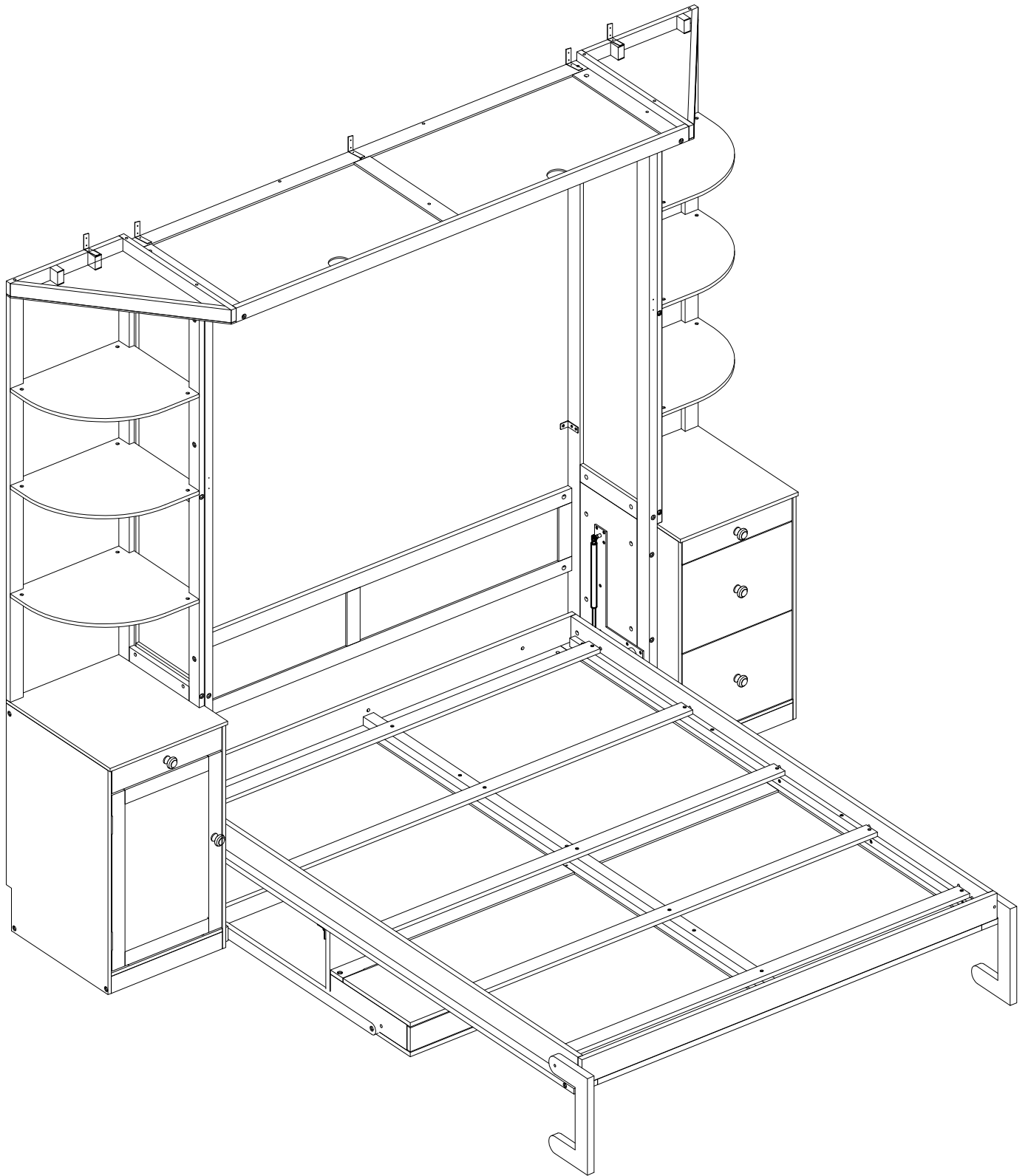
NA	PA
1pc	5set
	K
	M3.5x12
	7pcs



OR - OU



**FINISH:**



76/76