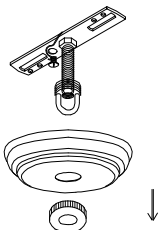
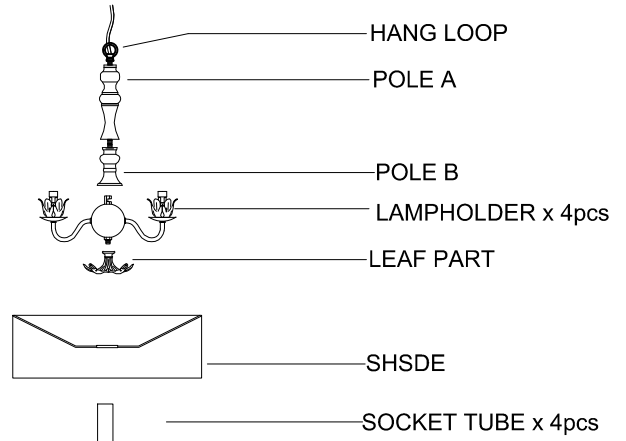
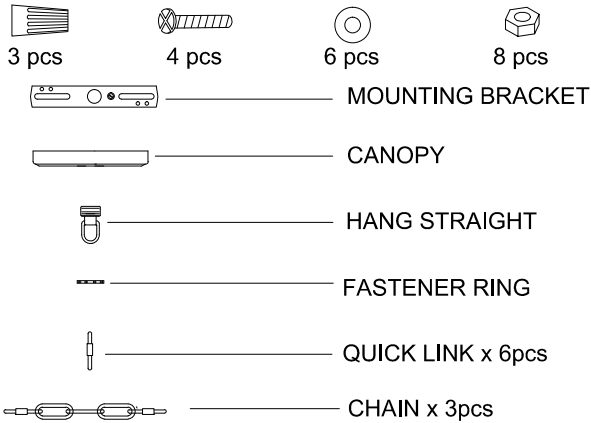


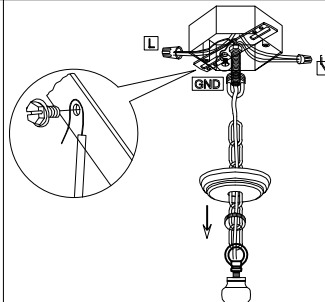
INSTRUCTION MANUAL

Parts



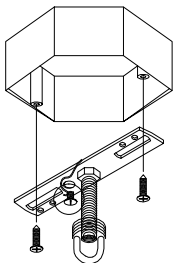
① Release the mounting bracket from the canopy.

①



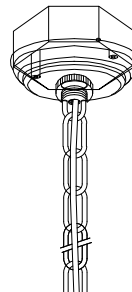
⑤ Connect the Hang Loop to the Chain, let the Fastener ring and Canopy go through the Chain, let the cable go through the thread of the Mounting Bracket, attach the Chain to the Hang Straight, then connect the wires.

⑤



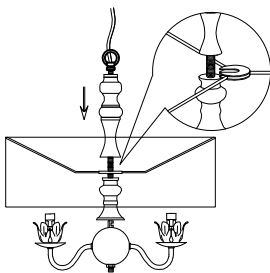
② Fasten the mounting bracket (with Hang Straight) to the ceiling Junction box by the screws.

②



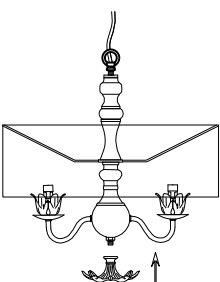
⑥ Position Canopy over Mounting Bracket then lock the Canopy by Fastener Ring.

⑥



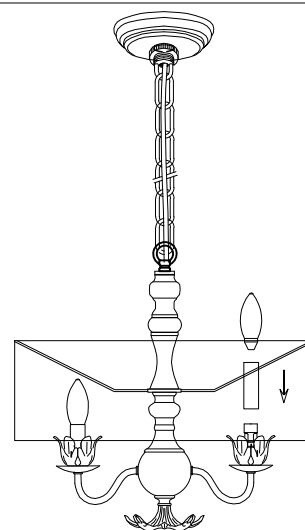
③ Attach the Pole B to the Sphere, Attach the Ring of the Shade to the top of the Pole B and pull down the Pole A, fasten them by the Hang Loop.

③



④ Attach the Leaf Part to the Lamp Body.

④



⑦ Fasten the Light bulbs to the lampholders, E12x4 pcs, type B, 60W Max is recommended.

⑦