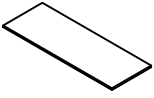
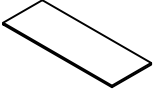

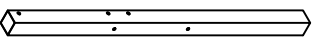
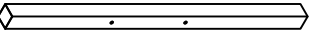
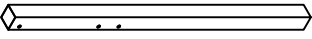
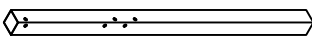
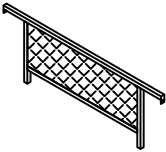
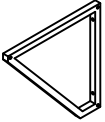
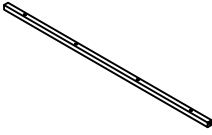
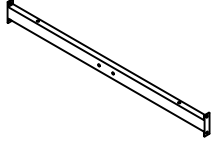
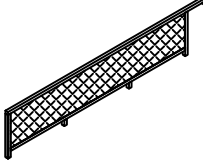
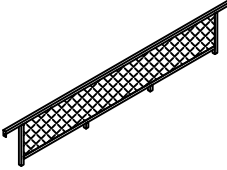
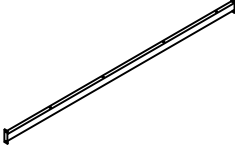
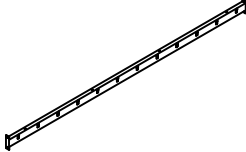

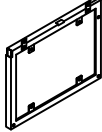
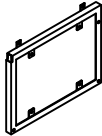
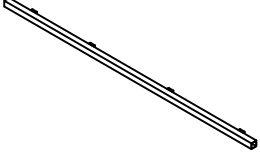
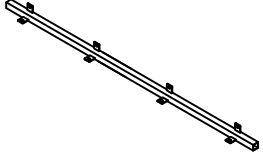
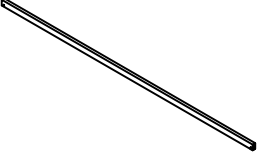
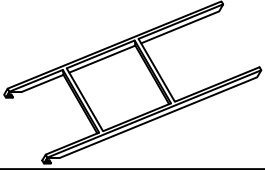
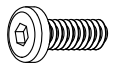
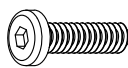


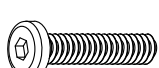
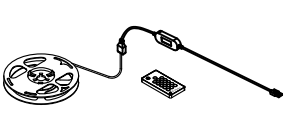


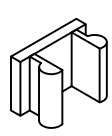
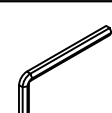
#		QTY
①		1
②		1
③		1
④		1
⑤		1
⑥		1
⑦		1
⑧		2
⑨		2

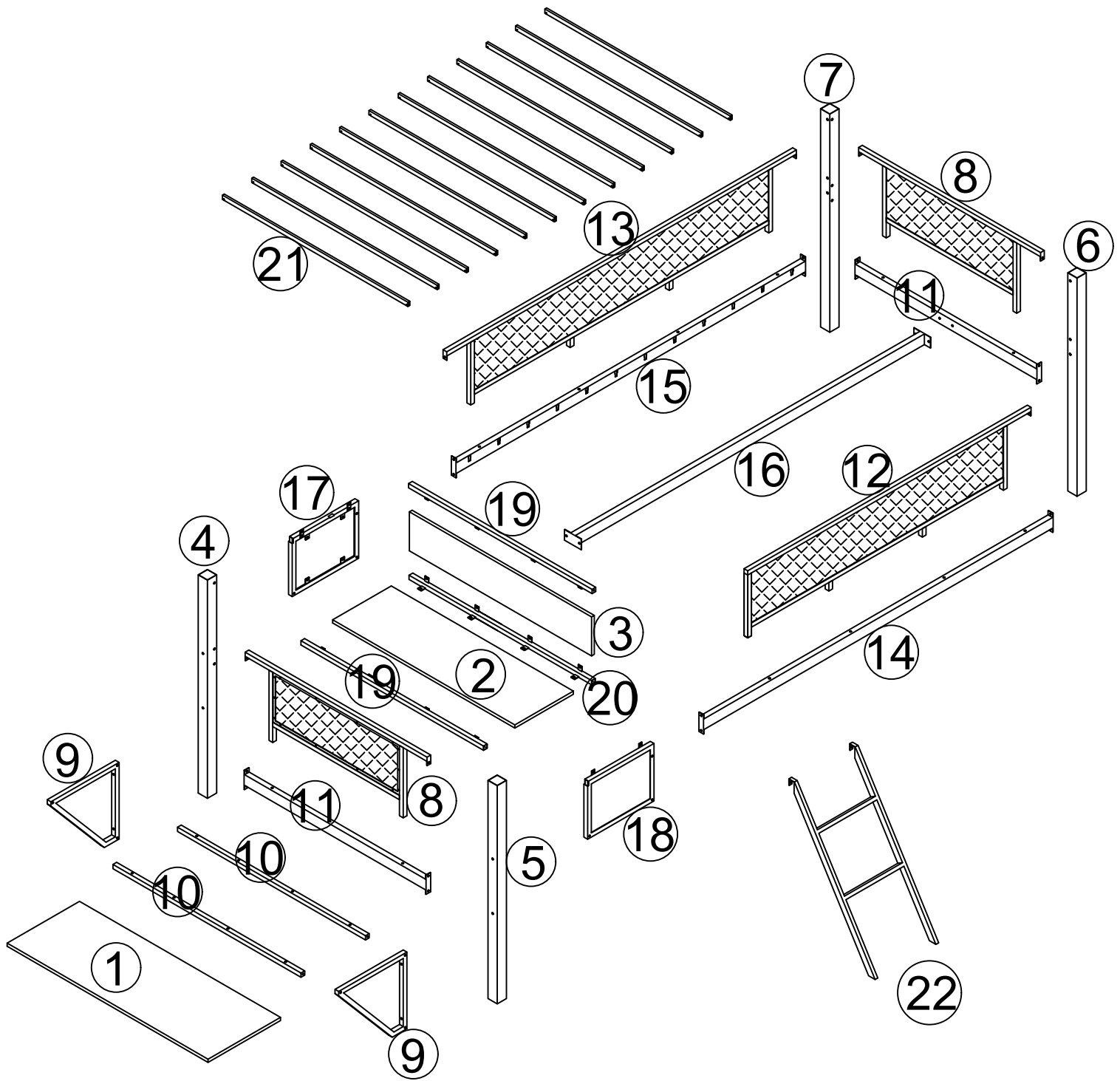
#		QTY
⑩		2
⑪		2
⑫		1
⑬		1
⑭		1
⑮		1
⑯		1
⑰		1
⑱		1

#		QTY
19		2
20		1
21		12
22		1

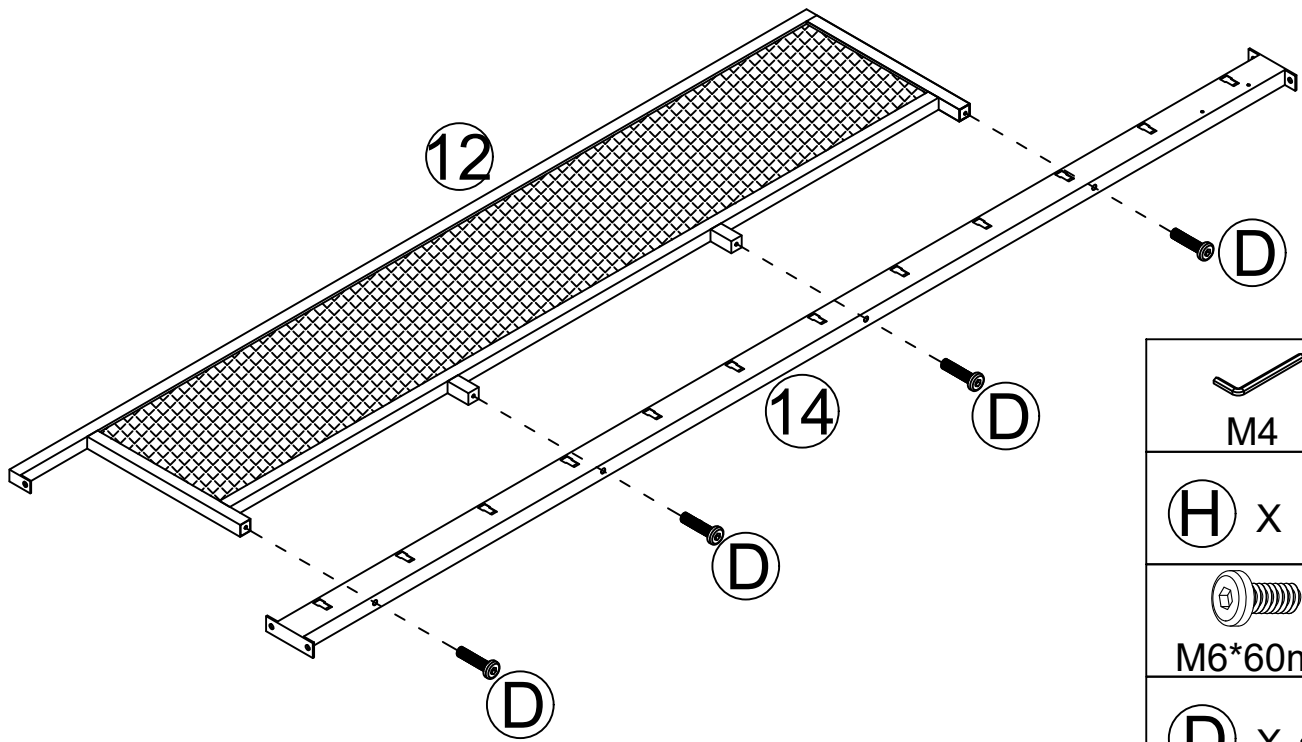
#		QTY


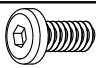
#		QTY
(A)	 M6*10mm	16+1
(B)	 M6*15mm	15+1
(C)	 M6*30mm	22+2
(D)	 M6*60mm	12+1
(E)	 M8*15mm	16+1
(F)		1

#		QTY
(G)		24+2
(H)	 M4	1

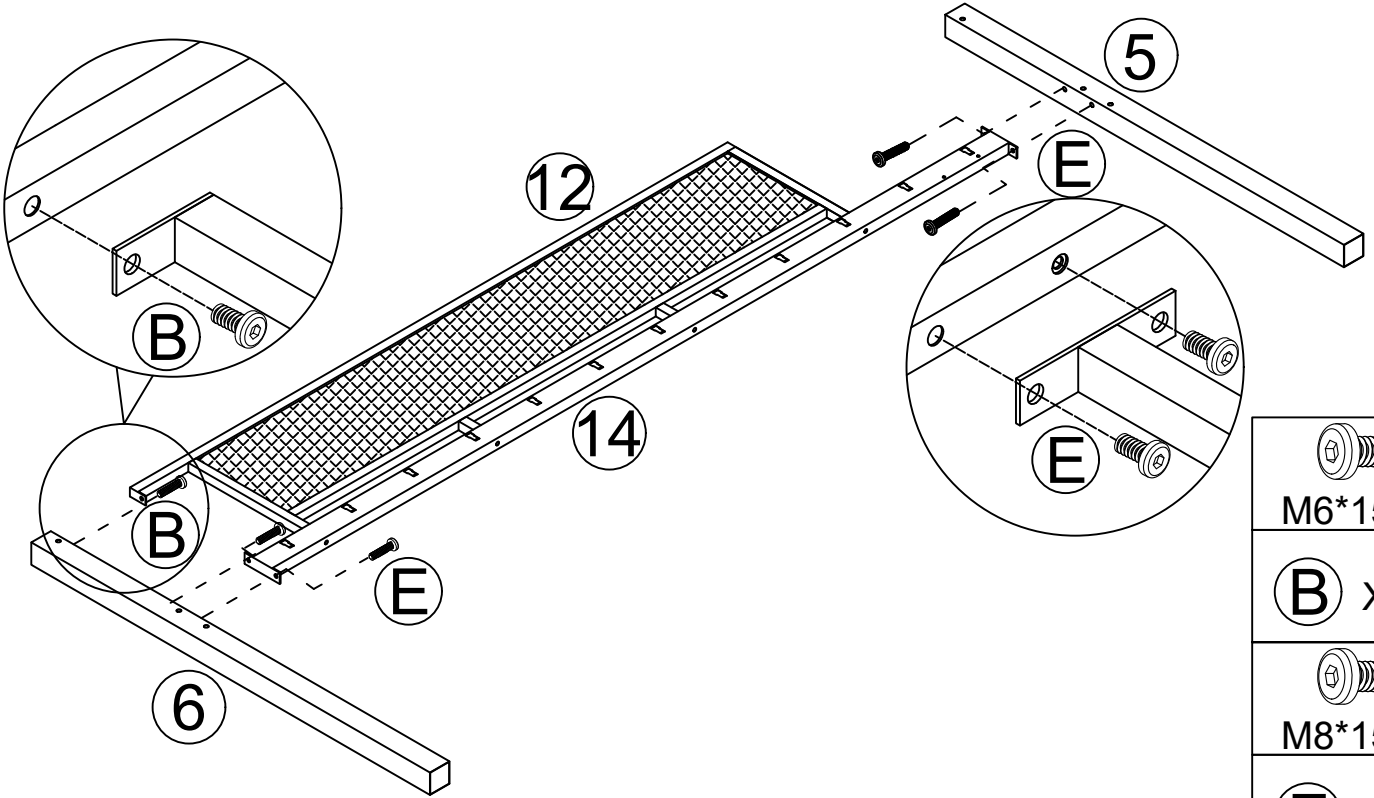


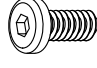
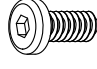
# Step 1



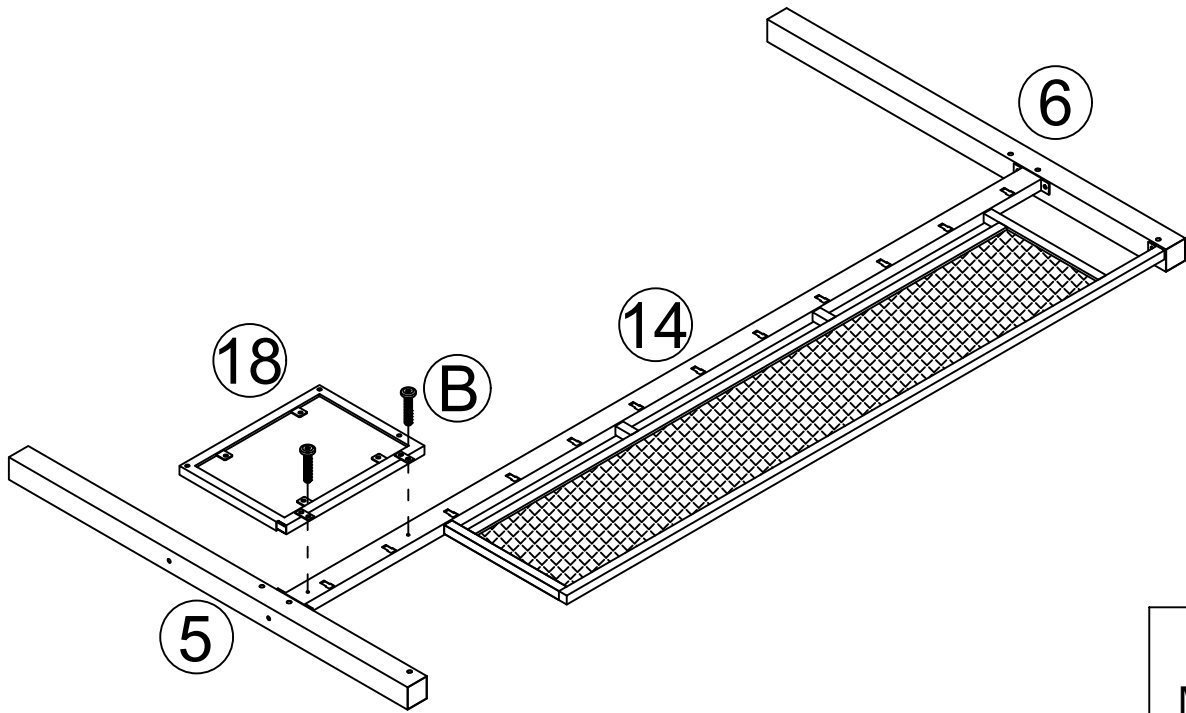

M4
<b>H</b> x 1

M6*60mm
<b>D</b> x 4

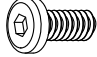
# Step 2



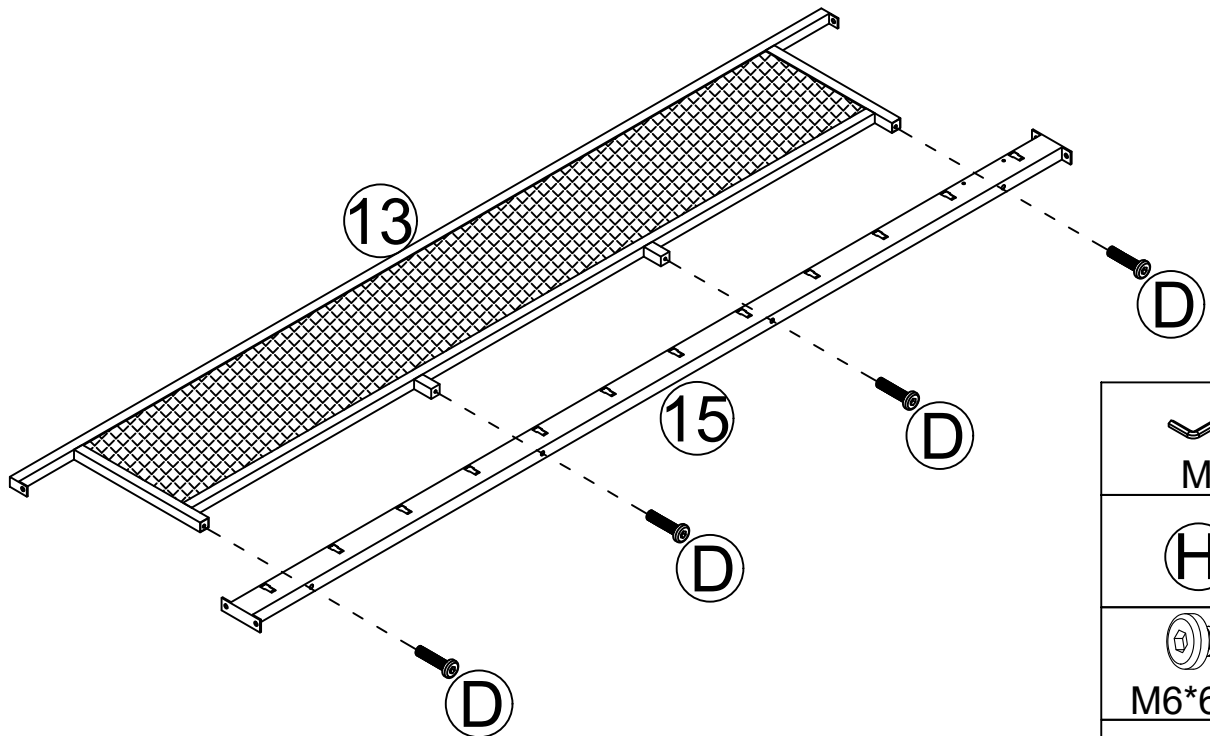

M6*15mm
<b>B</b> x 1

M8*15mm
<b>E</b> x 4


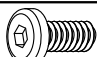
# Step 3



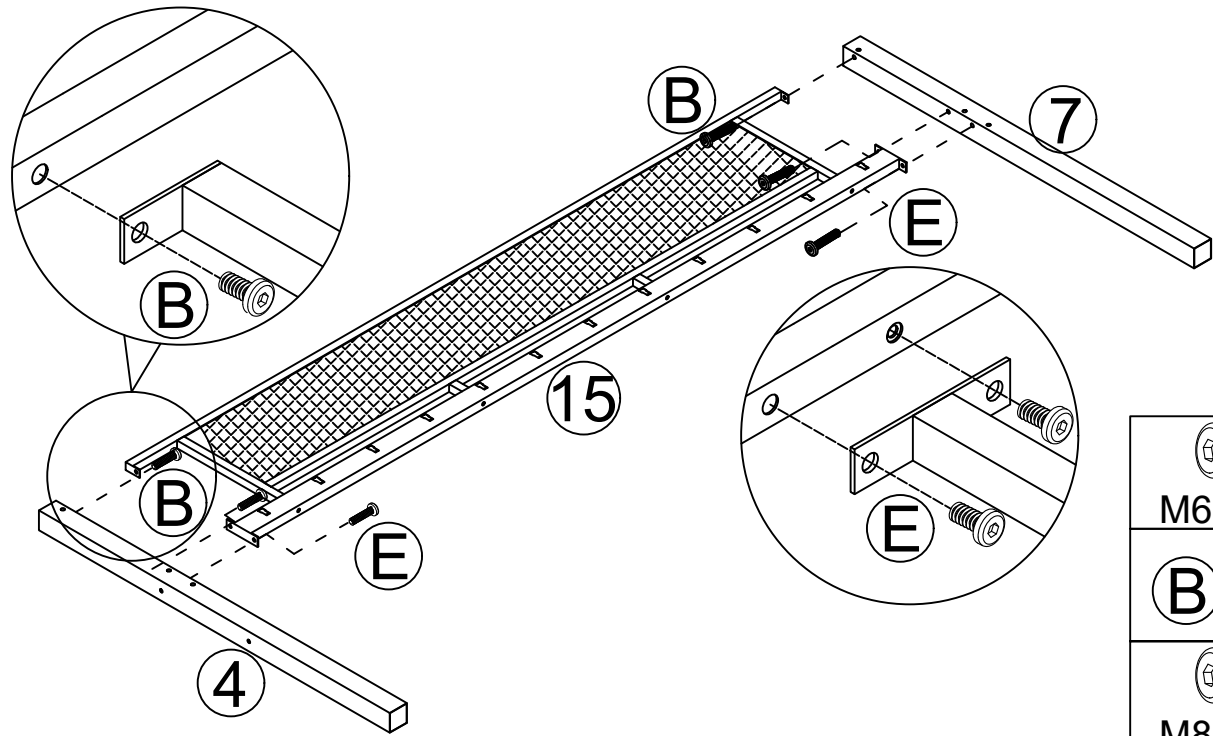

M6*15mm
<b>(B)</b> x 2



# Step 4



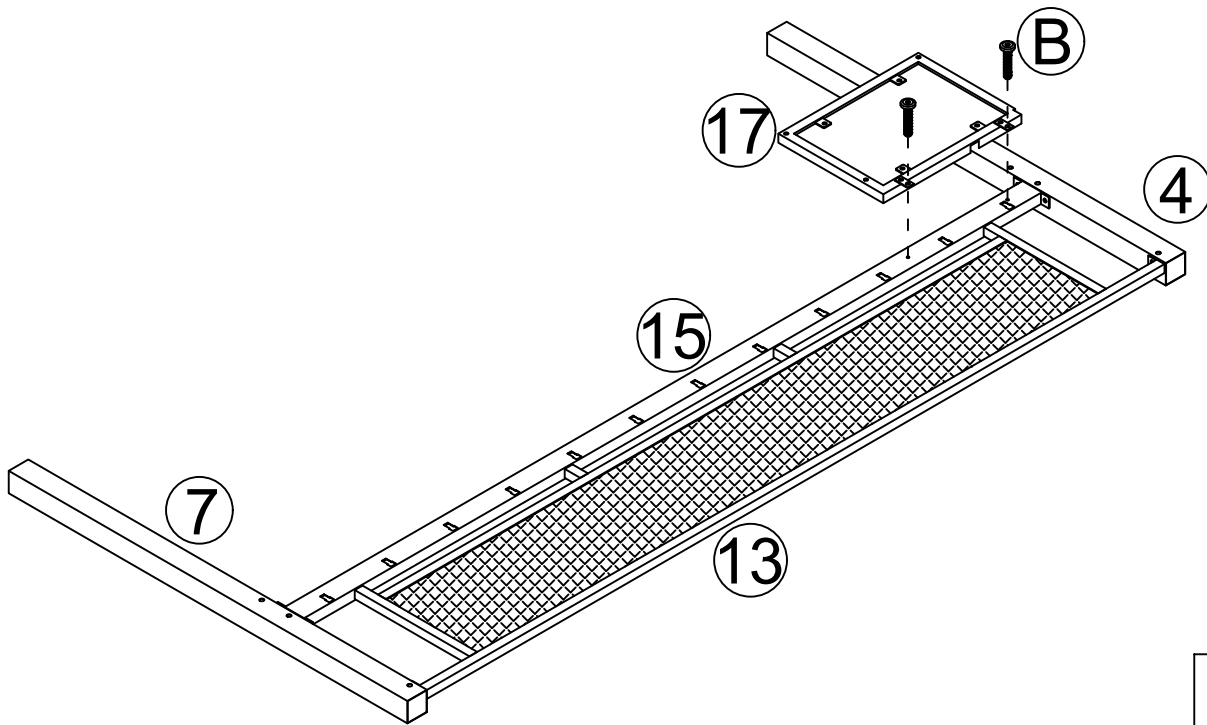

M4
<b>(H)</b>

M6*60mm
<b>(D)</b> x 4

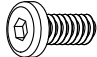
# Step 5



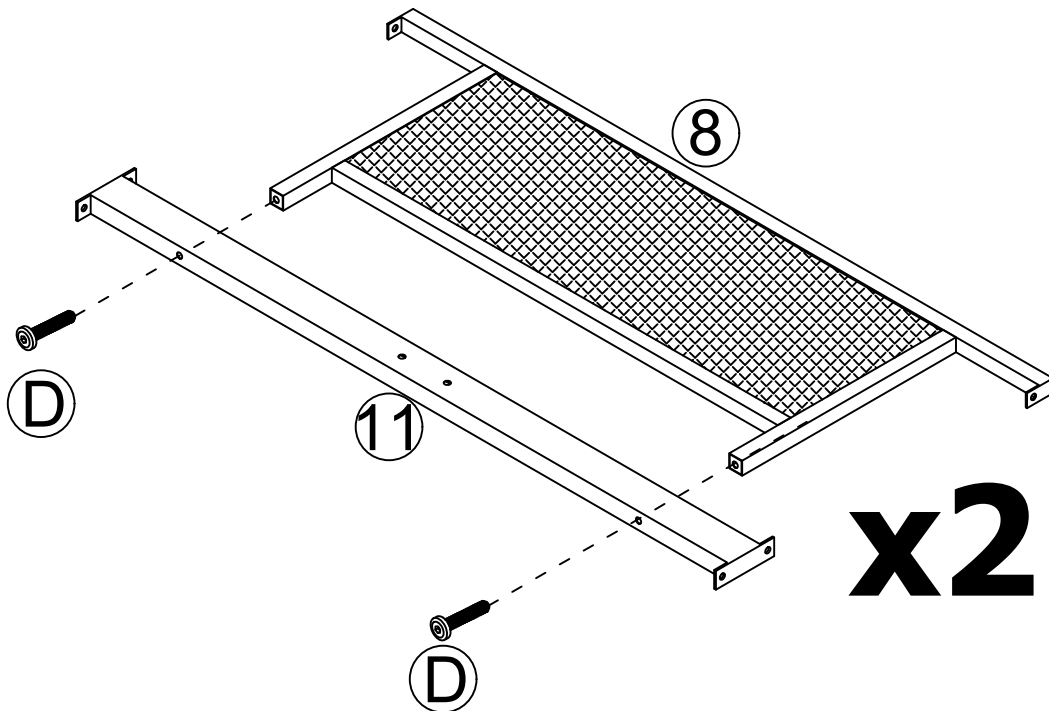

M6*15mm
<b>(B) x 2</b>

M8*15mm
<b>(E) x 4</b>



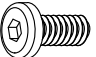

# Step 6



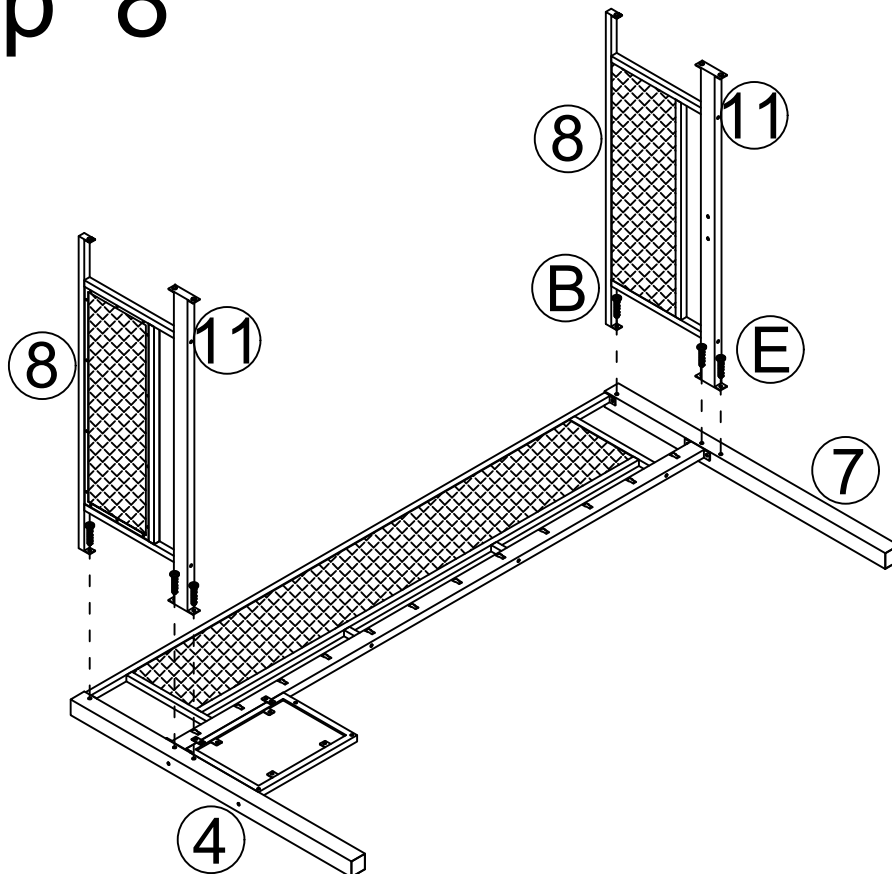

M6*15mm
<b>(B) x 2</b>

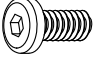

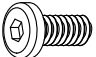

# Step 7



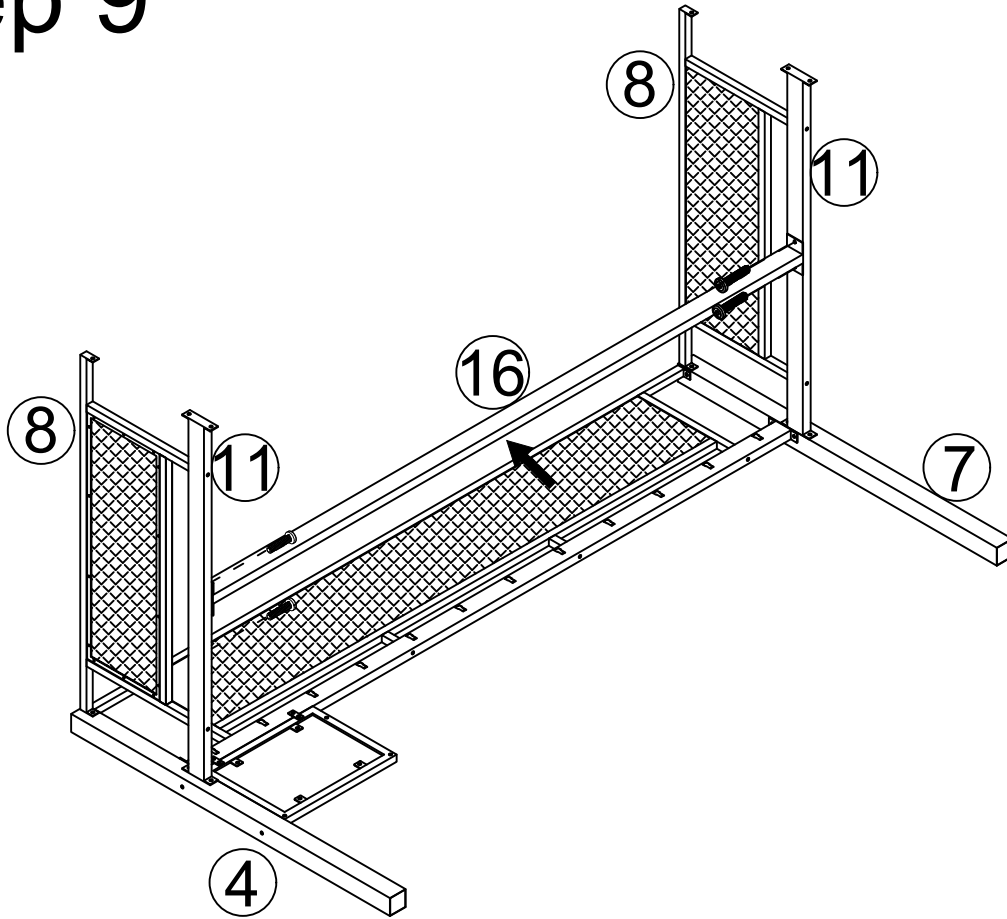
 M4
 H
 M6*60mm
 x 4


# Step 8



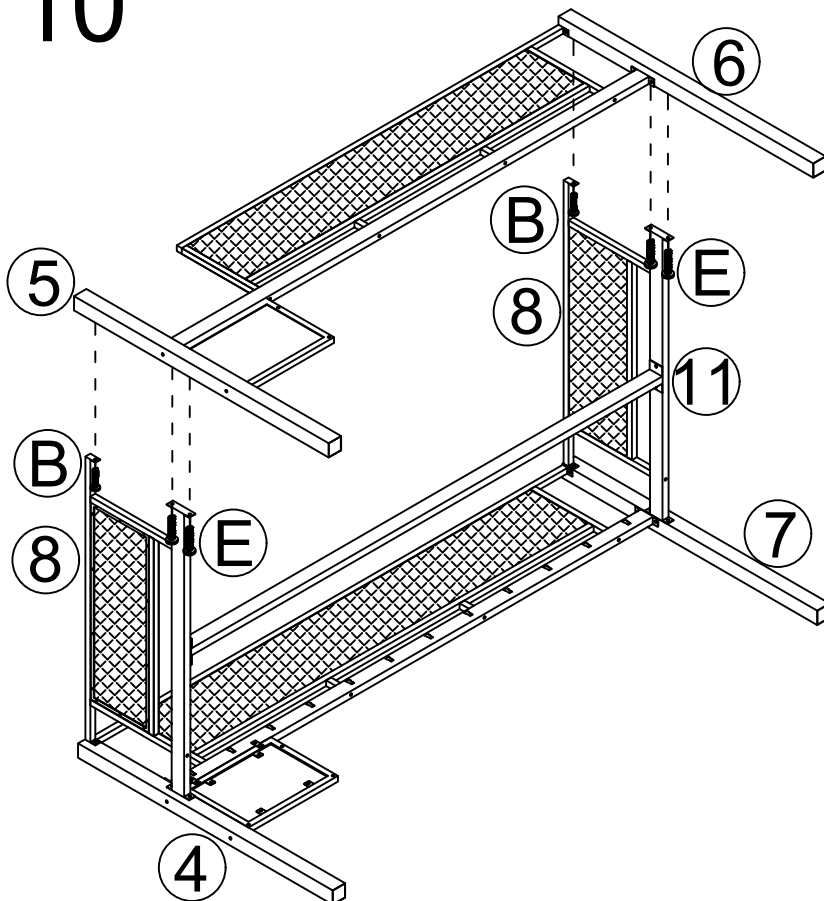
 M6*15mm
 x 2
 M8*15mm
 x 4

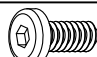
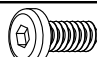
# Step 9



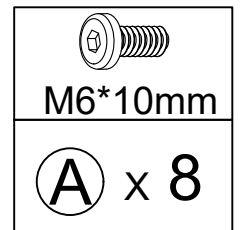
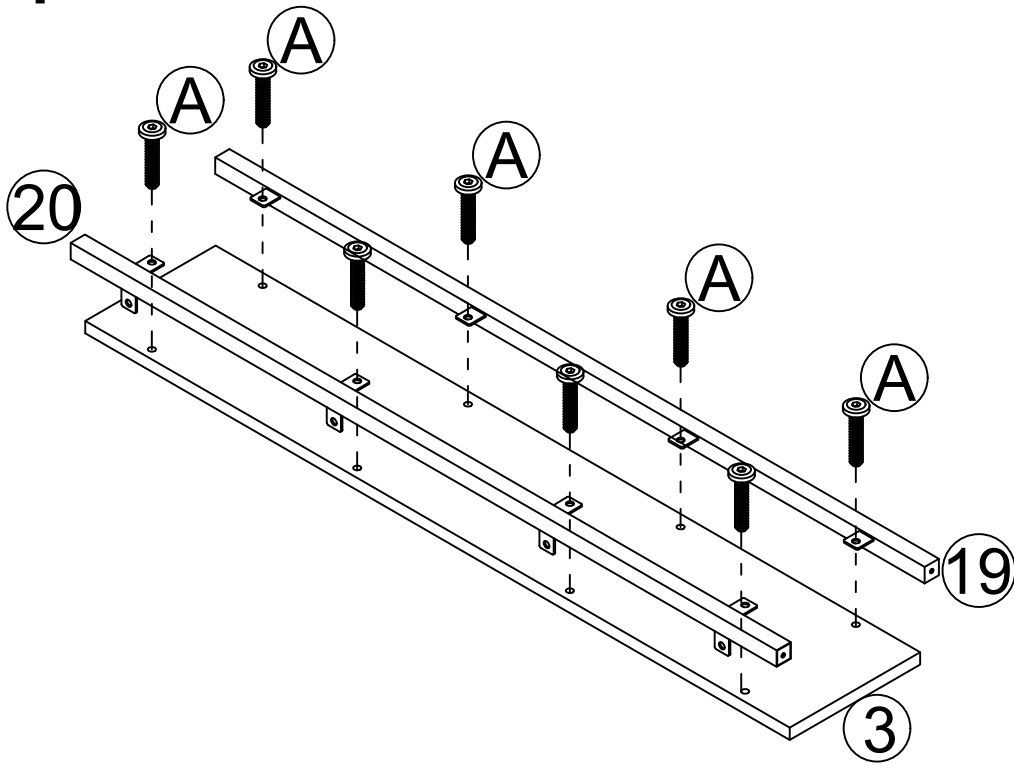

M6*15mm
<b>(B)</b> x 4

# Step 10

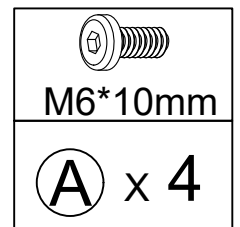
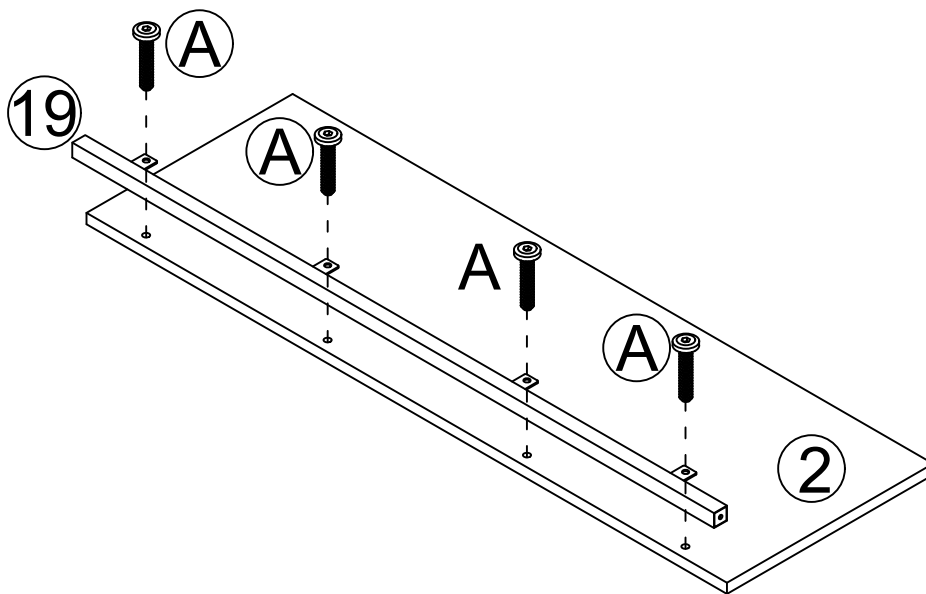



M6*15mm
<b>(B)</b> x 2

M8*15mm
<b>(E)</b> x 4

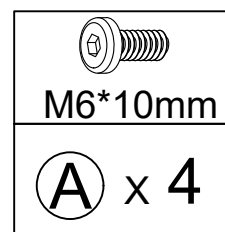
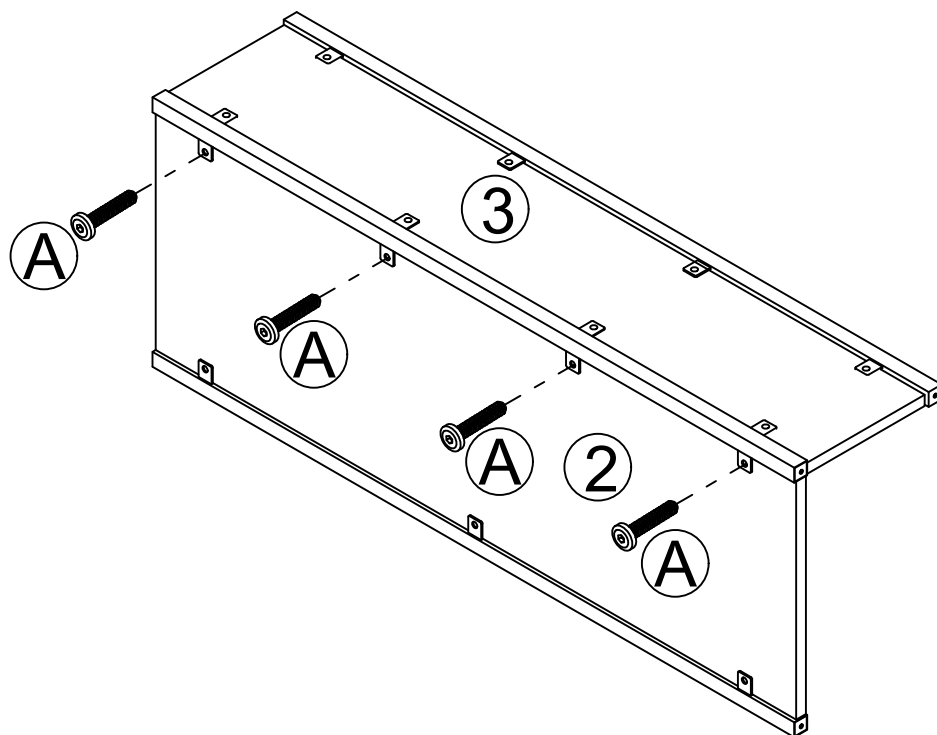
# Step 11



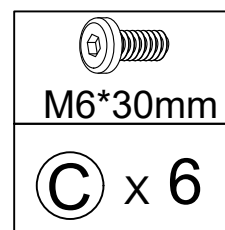
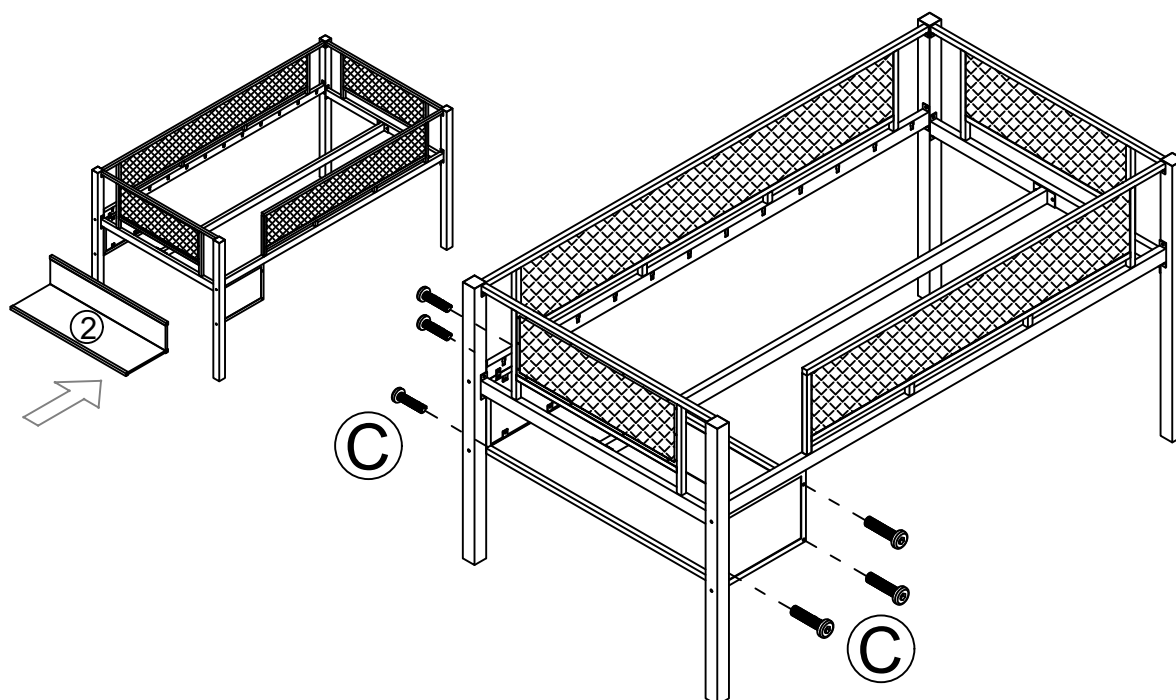
# Step 12



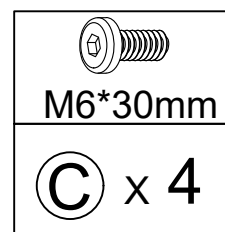
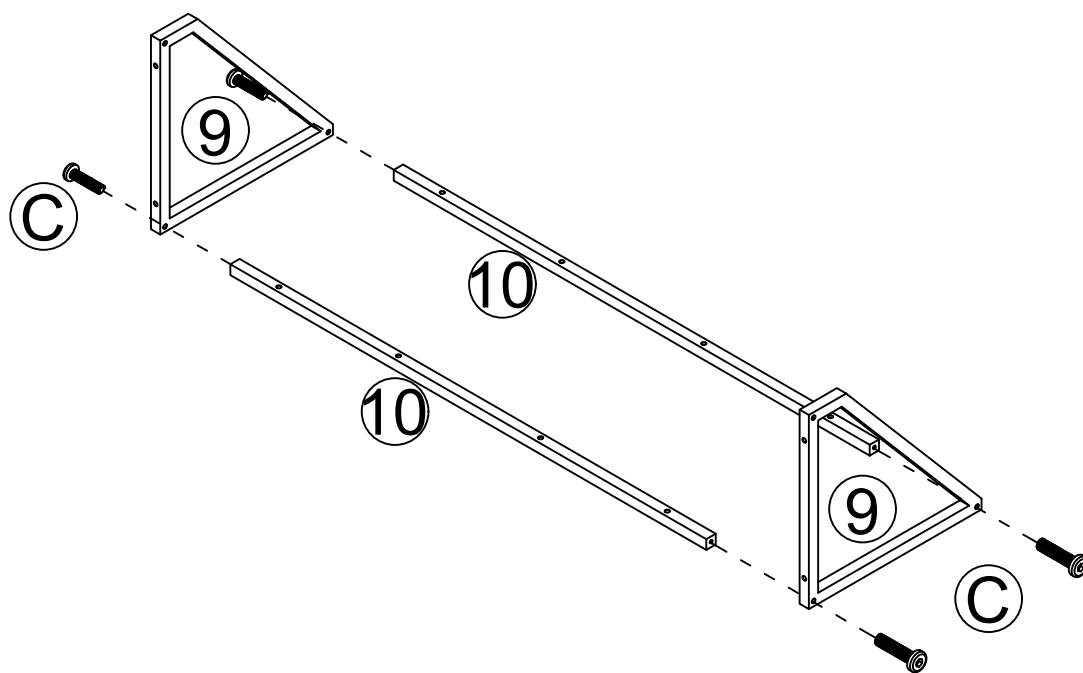
# Step 13



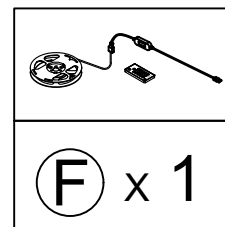
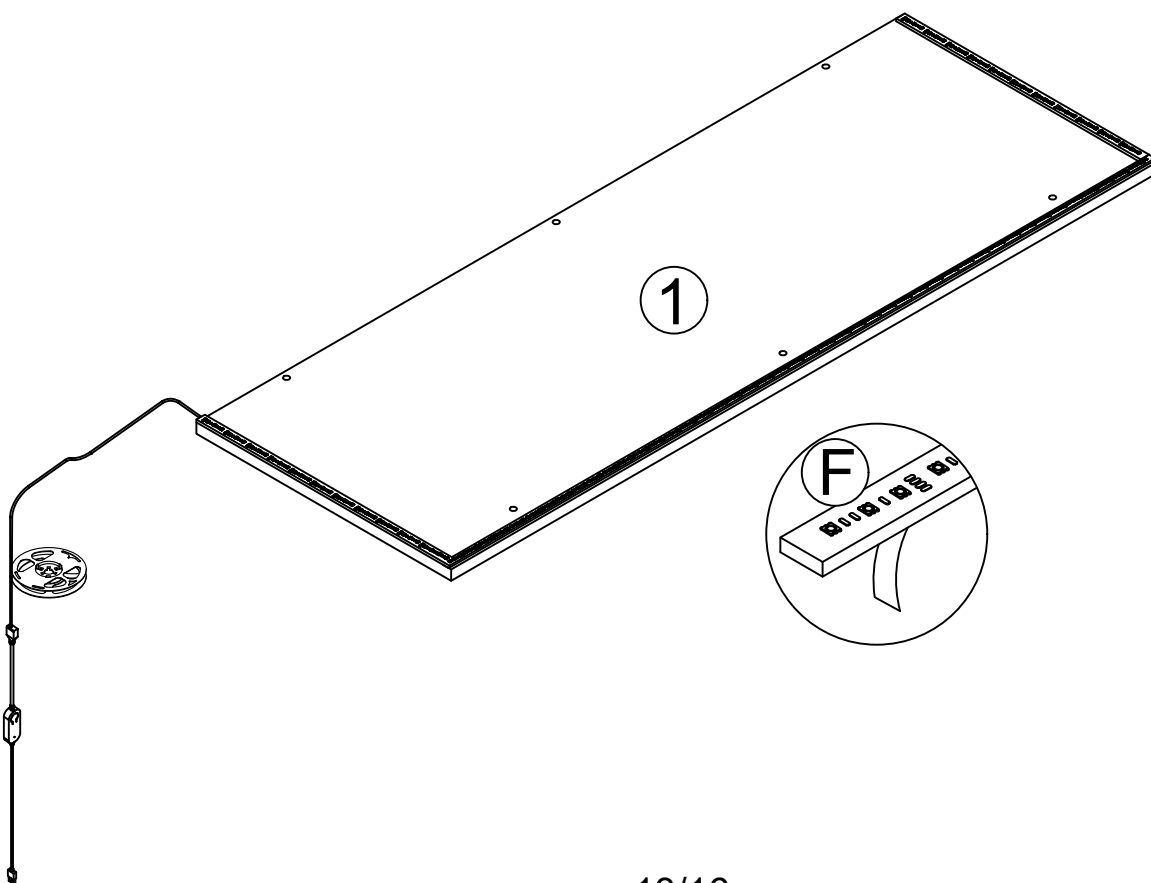
# Step 14



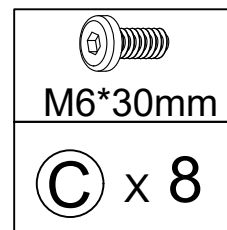
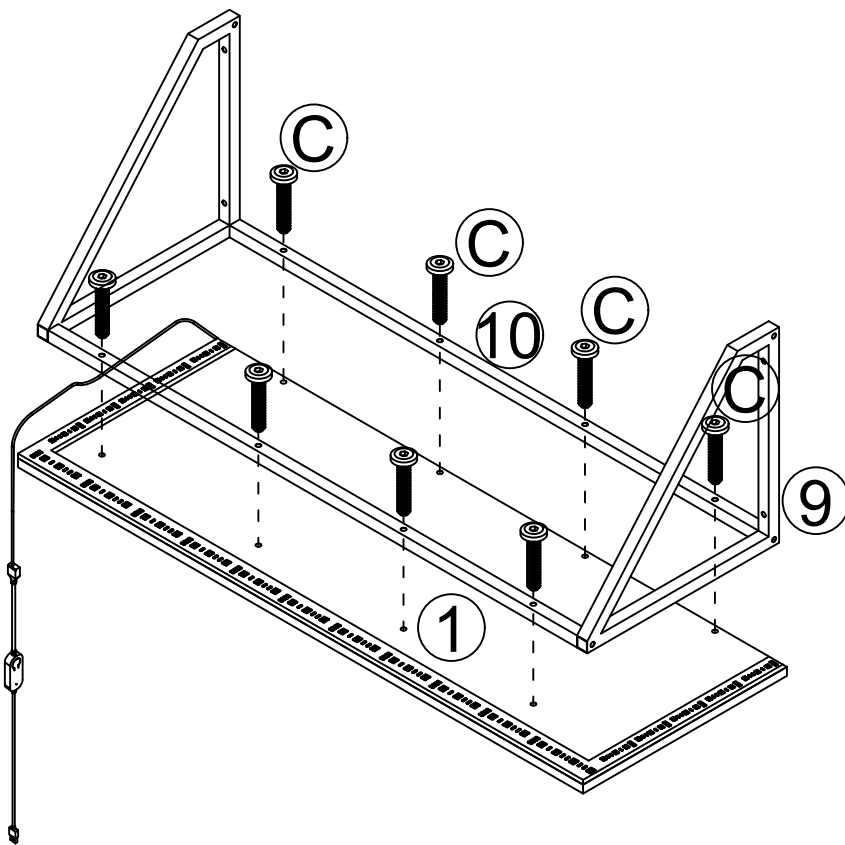
# Step 15



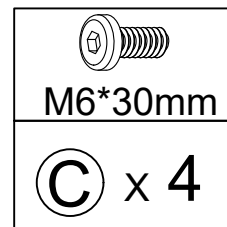
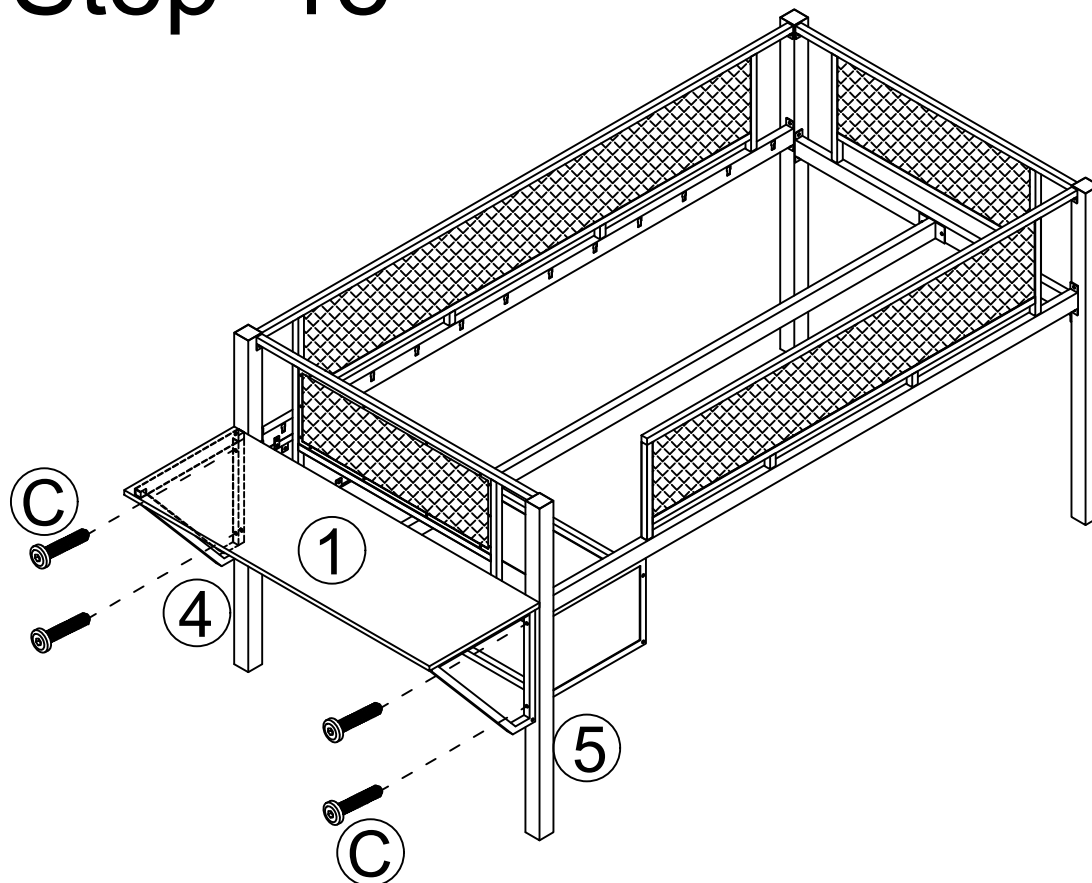
# Step 16



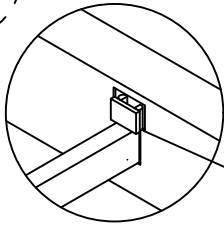
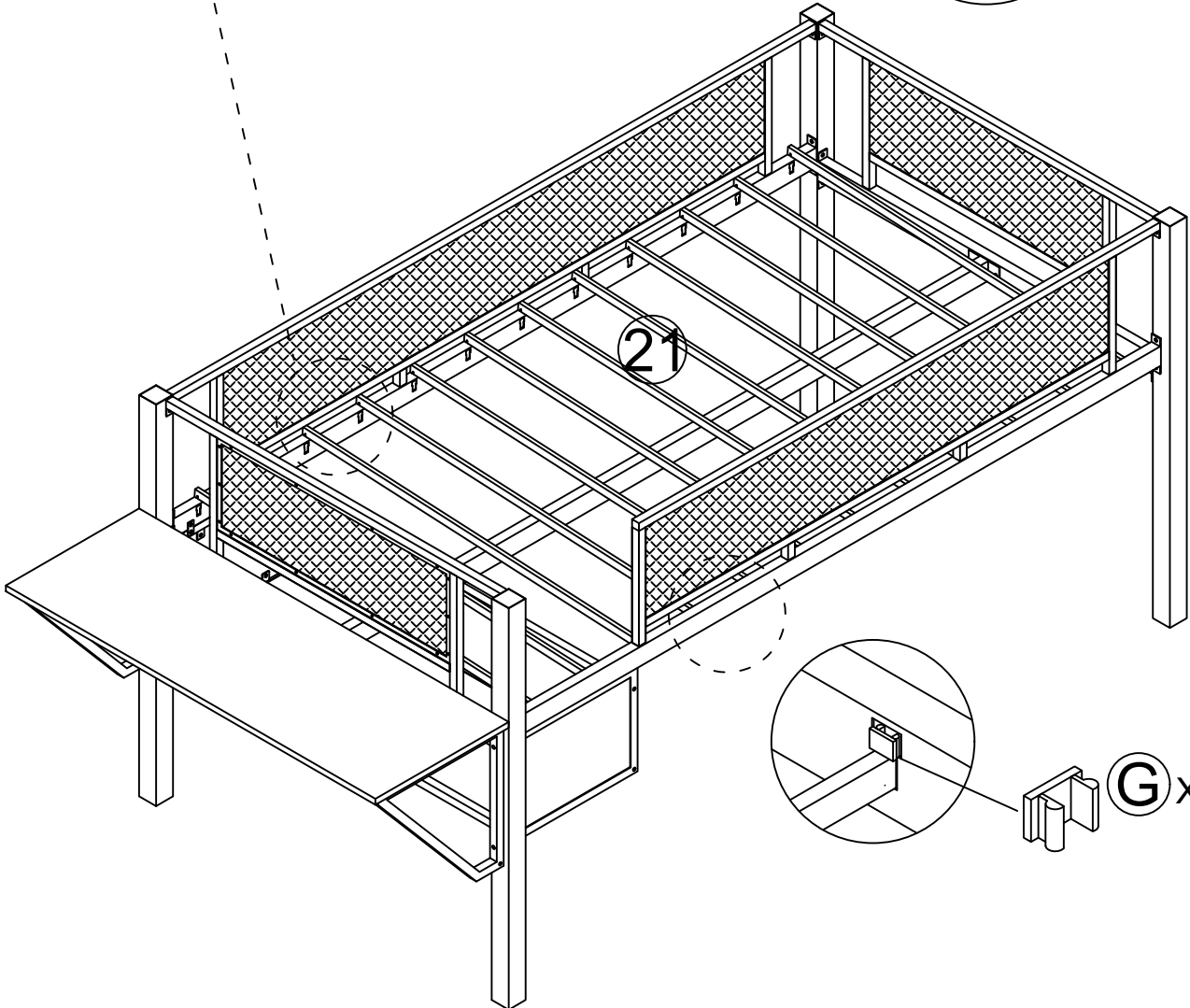
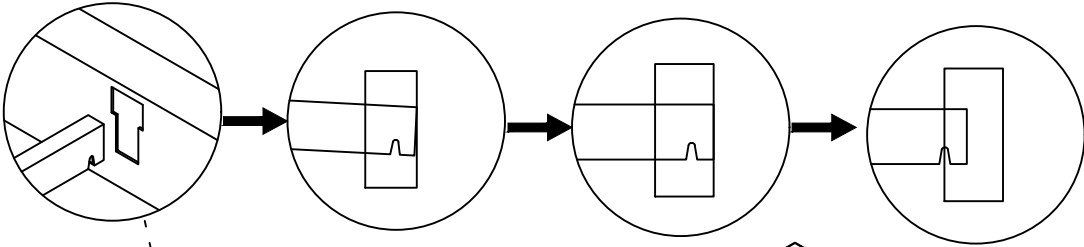
# Step 17




# Step 18



# Step 19



 **G**x24


<b>G</b> x 24

# Step 20

