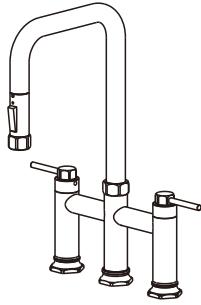


Installation instructions

unit:inch (mm)



2341402

1.8GPM 6.8L/min

You may need



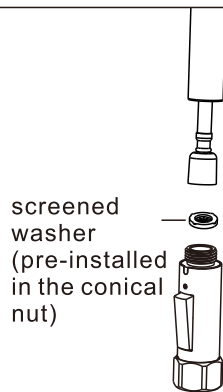
For easy installation of your faucet you will need:

To READ ALL the instructions completely before beginning.

To READ ALL warnings, care, and maintenance information.

Cleaning and Care

Care should be given to the cleaning of this product. Although its finish is extremely durable, it can be damaged by harsh abrasives or polish. To clean, simply wipe gently with a damp cloth and blot dry with a soft towel.

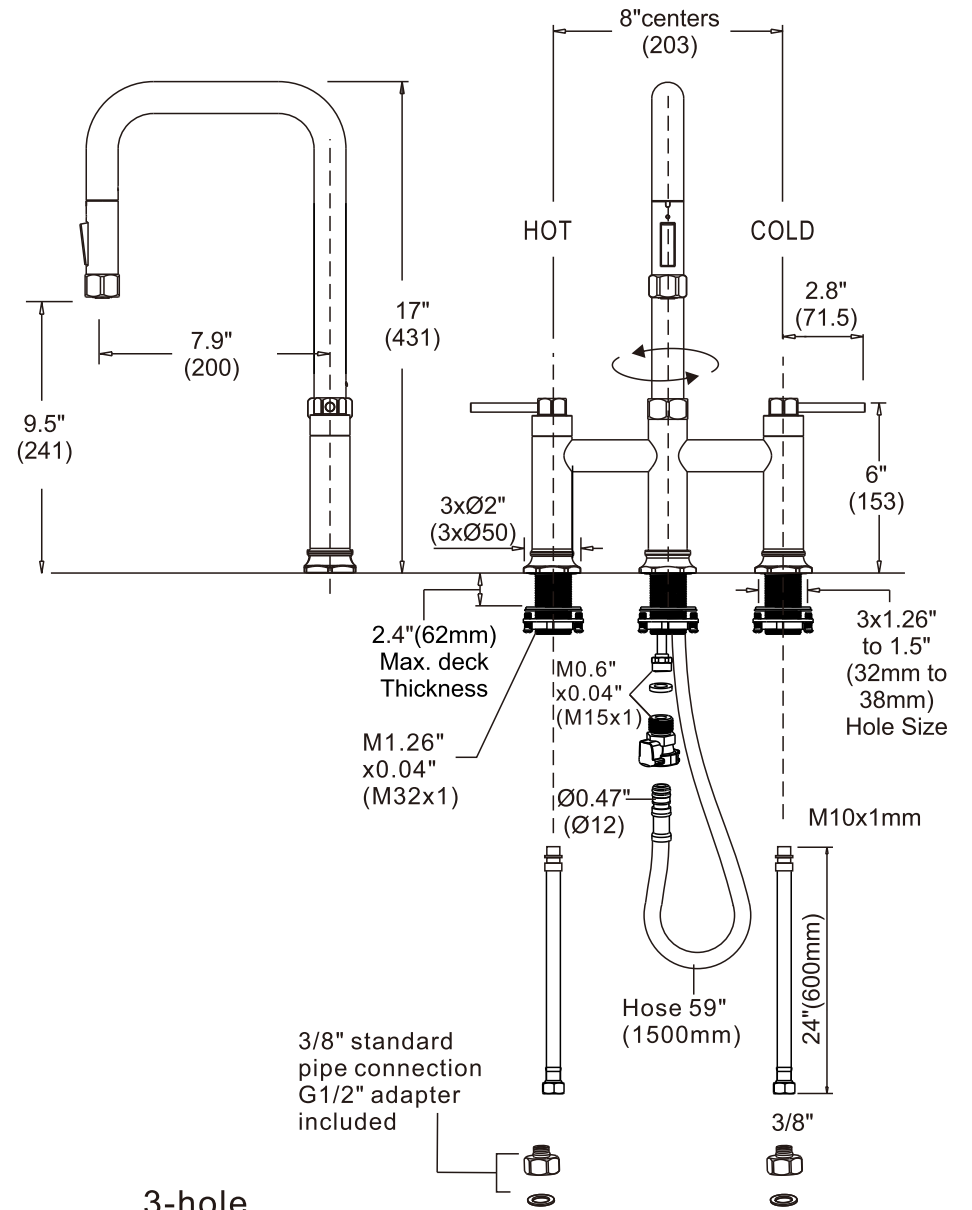


screened washer
(pre-installed
in the conical
nut)

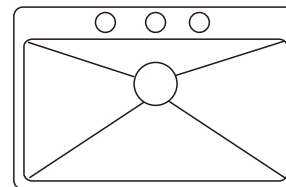
aerator

key

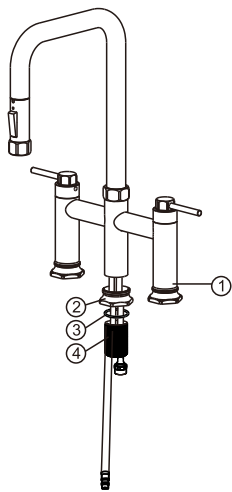
With 1.8 gpm are compliant with California water efficiency regulations, Complies with California Proposition 65 and with the Federal Safe Drinking Water Act.



3-hole

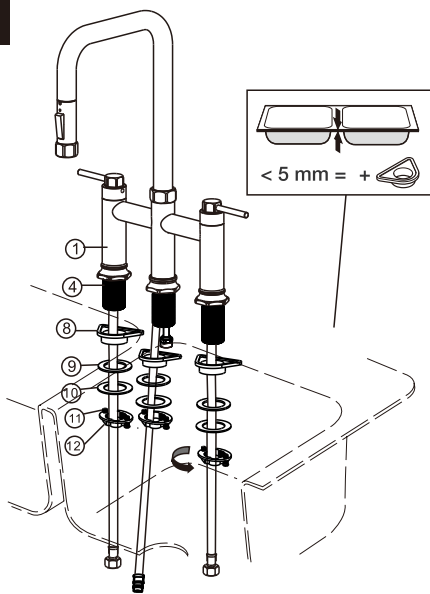


1



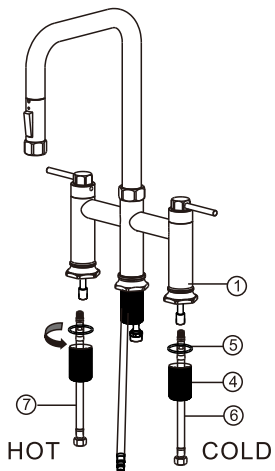
Install the base(2) with the O-ring(3) and threaded pipe(4) onto the faucet(1) through the pull-out tube and copper tube.

3



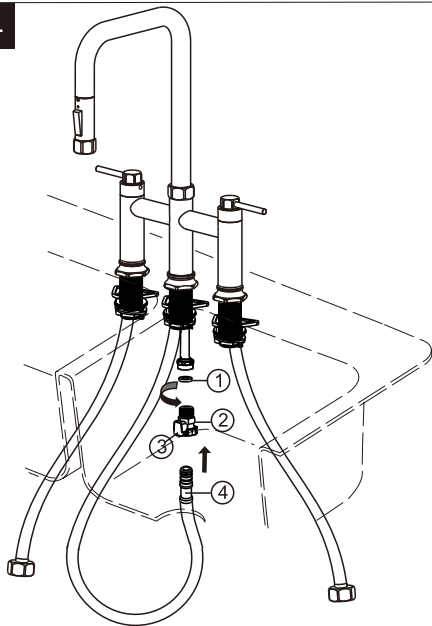
1. Use the triangle fastener(3) when the thickness of sink < 5mm.
2. Place Triangle fastener(3) and washer(4) and metal plate(5) over mounting stud(2) under sink. Secure with mounting nut(6), tighten the screws(7) to fix the faucet body(1).

2



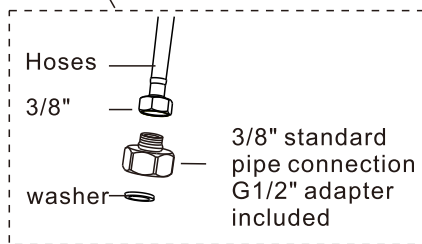
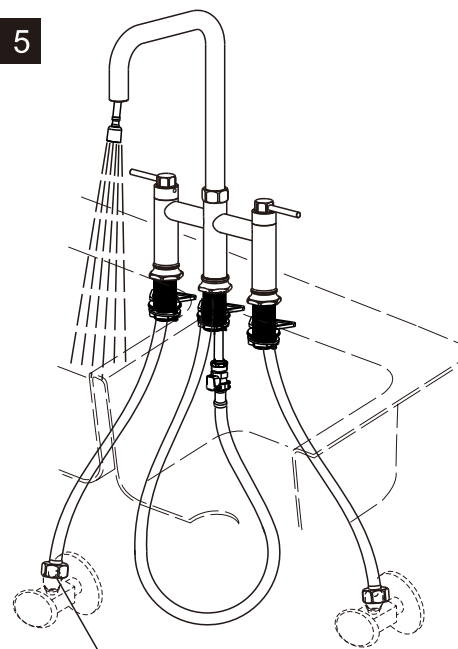
1. The cold(6) and hot(7) inlet pipes are installed through threaded pipes(4) to the cold and hot inlet ports of the faucet.
2. Make sure fasten the thread pipe(4) to the base of the faucet body clock-wise.

4



1. Attach quick connects (2) to the faucet , with gasket (1) between-connection.
2. Attach pull-out hose (4) on quick connects (2). Press the quick connects firmly. NOT WITH apply teflon tape to the quick connect installation.

5

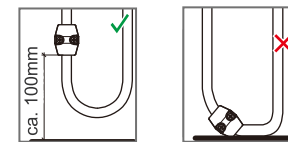
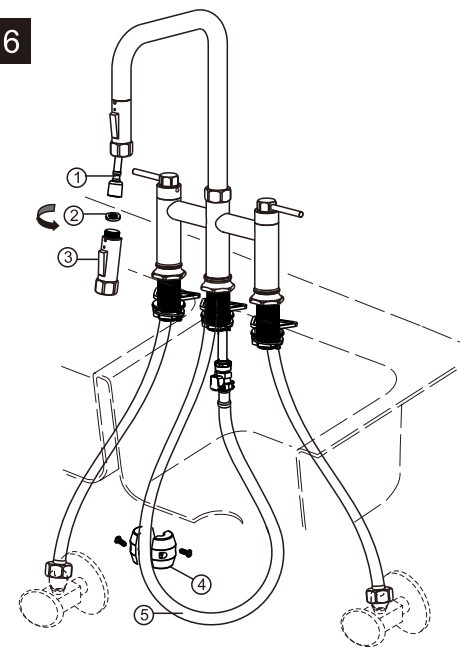


1. Attach waterlines ,do not overtighten. Waterlines: 3/8" hot & cold hoses, If you need G1/2" hoses, please us 3/8" standard pipe connection G1/2" adapter included.

2. Turn faucet handles to the full on mixed position.

3. Turn on hot and cold water supplies and flush water lines for one minute. Important: This flushes away any debris that could cause damage to internal parts. Check all connections for leaks.

6



1. Attach spray (3) to hose (1), with gasket (2) between connection.

2. Attach weight ball(4) to pull-out hose (5).

model 1: Spray

model 2: Standard Flow Aerator

water flow pattern changed to flow aerator when the water is turned OFF.

