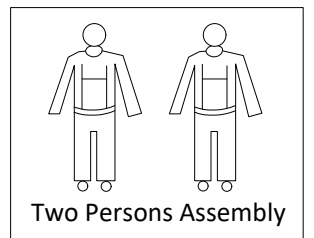
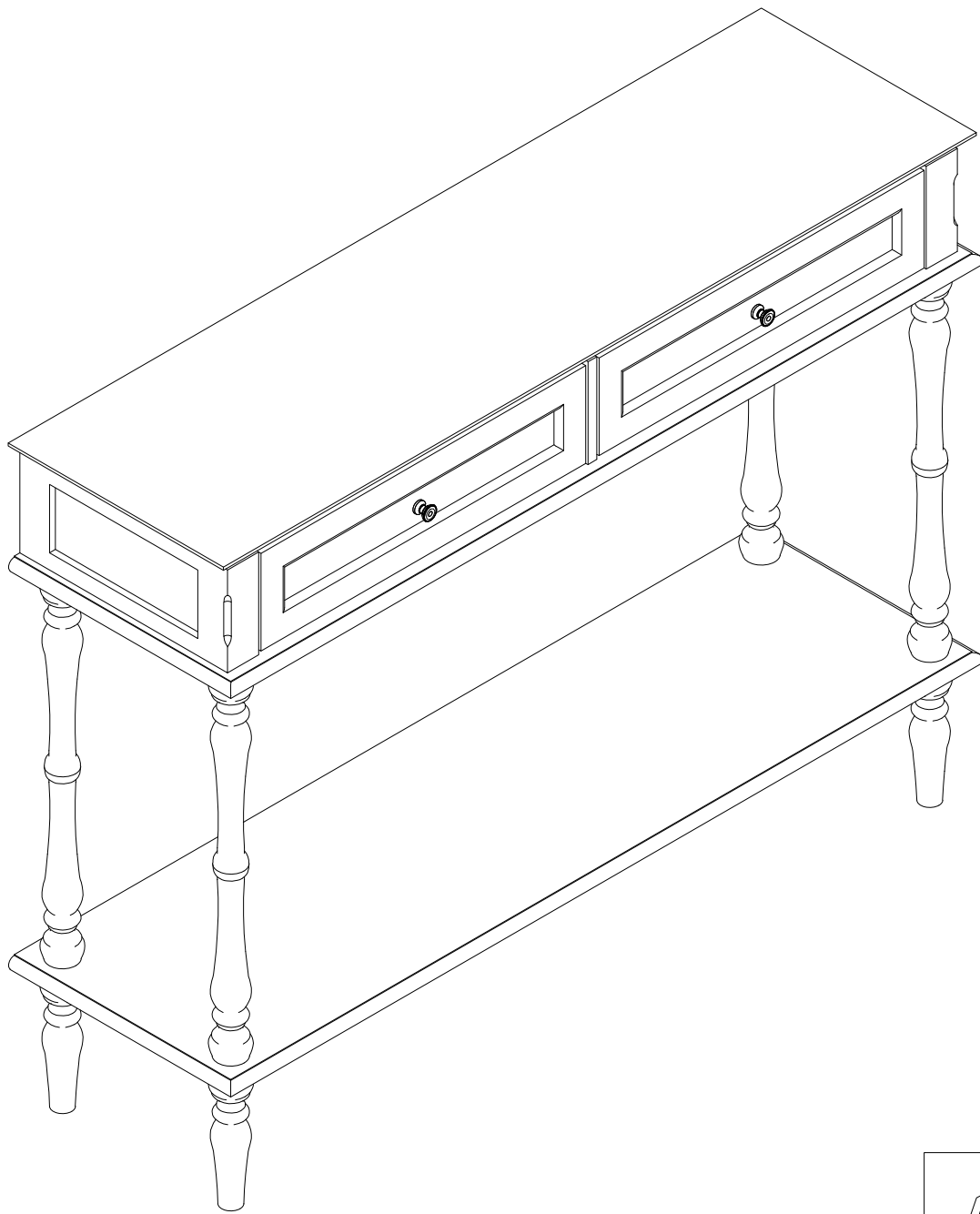
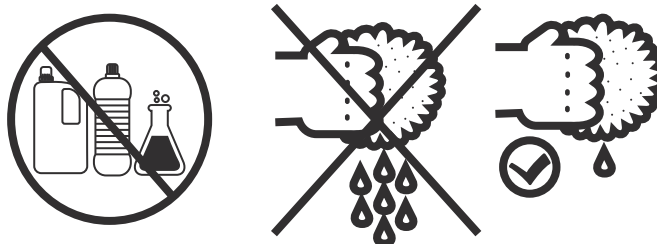
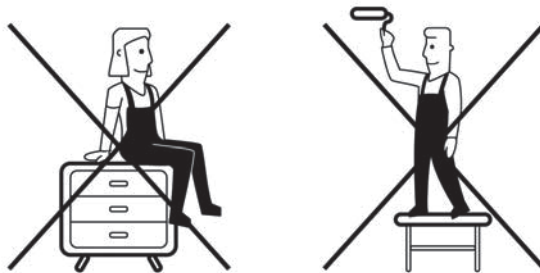
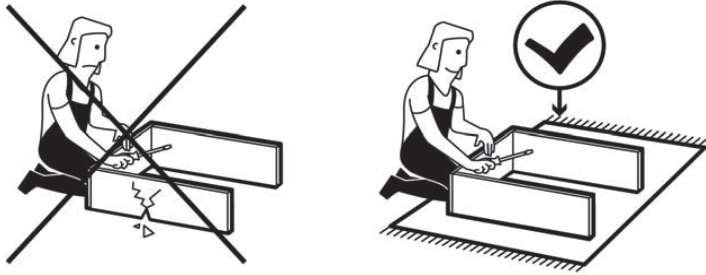
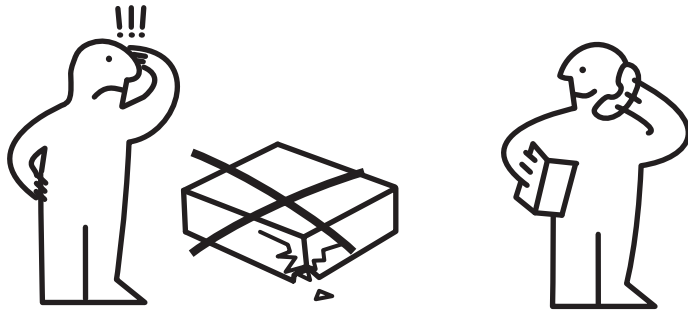
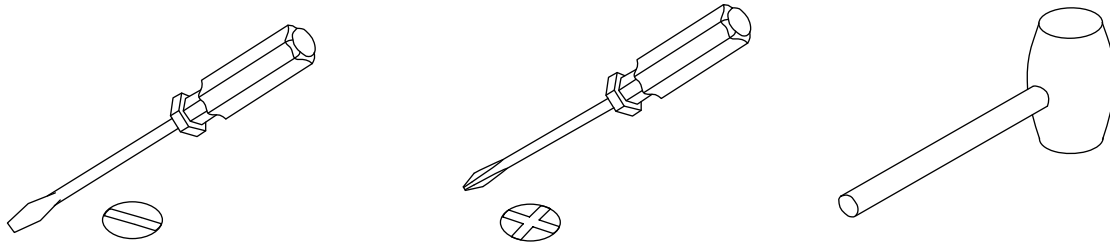


# ASSEMBLY INSTRUCTIONS



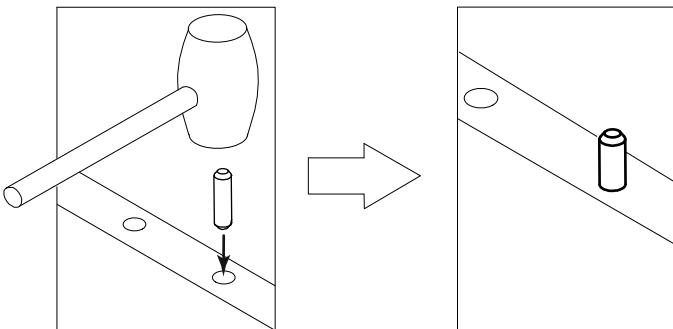


# ASSEMBLY TOOLS REQUIRED (NOT INCLUDED)



- \* Before discarding packing materials, please check all parts and hardware are presented.
- \* Please follow the instructions closely.
- \* After few days of initial assembly, the product may has acclimated to new environment, please tighten all hardware again.

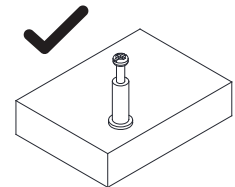
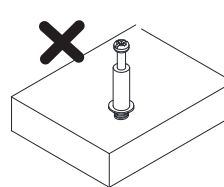
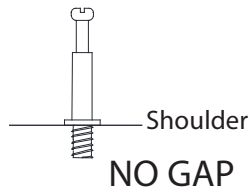
## Dowel Installation



Gently tap dowel into hole with rubber mallet.

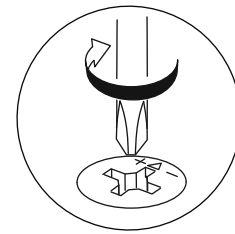
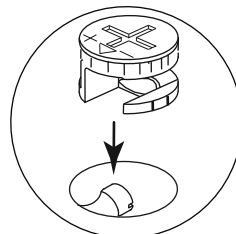
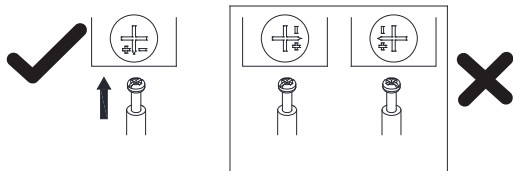
## CAM-LOCK

Tighten until shoulder is flush with panel. Do not overtighten or undertighten

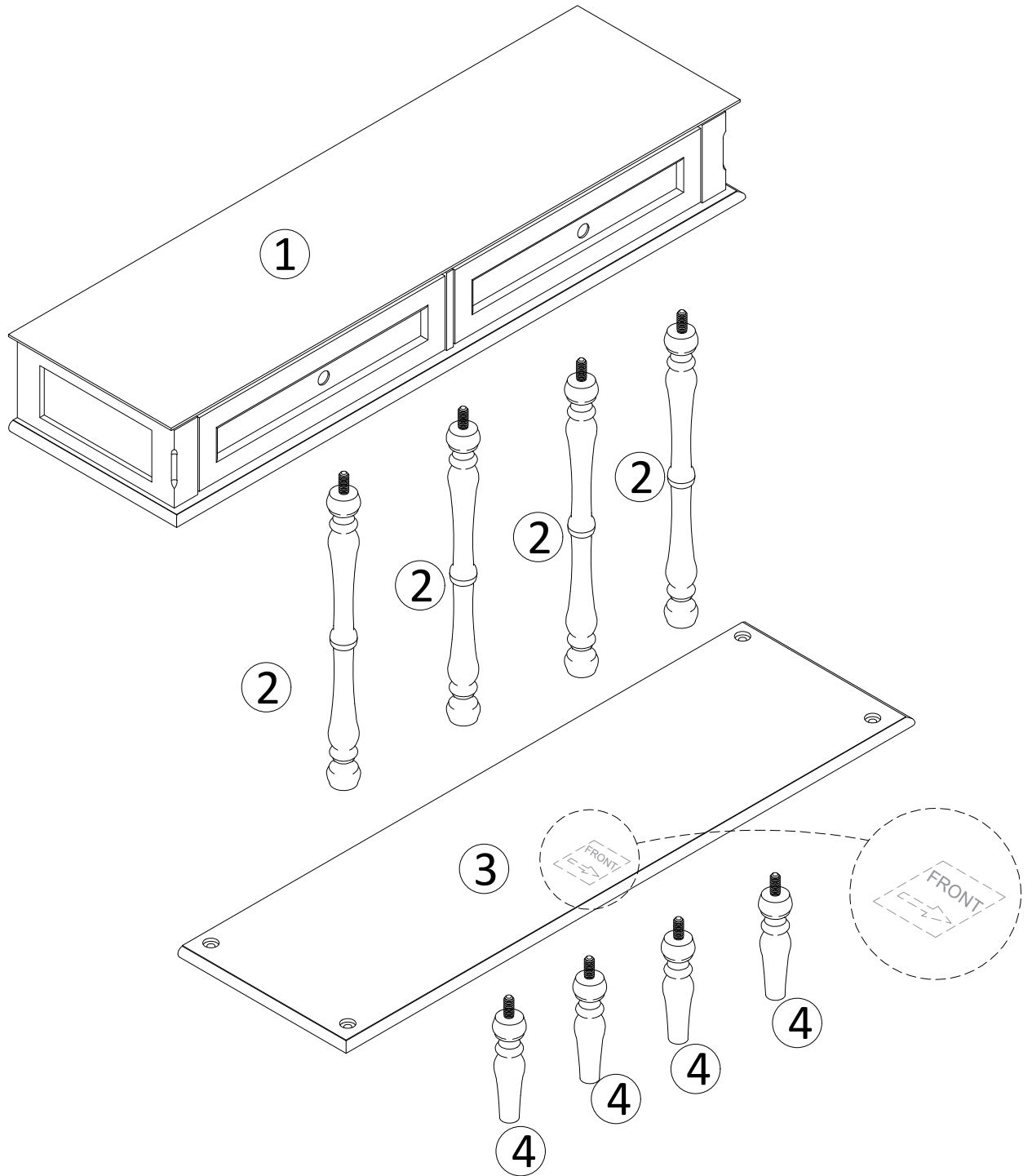


## WHEN FITTING CAMS

ENSURE STARTING POSITION IS CORRECT BEFORE YOU INSERT CONNECTING CAM-PILLAR  
TURN CLOCKWISE UNTIL SECURE



Laying out all the parts and hardware and identifying each part as shown below. It may help you when you assemble the item.

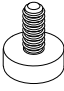



① ×1


② ×4

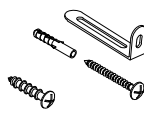
③ ×1

④ ×4

A	x4
	
M6×15L-φ20×6T	

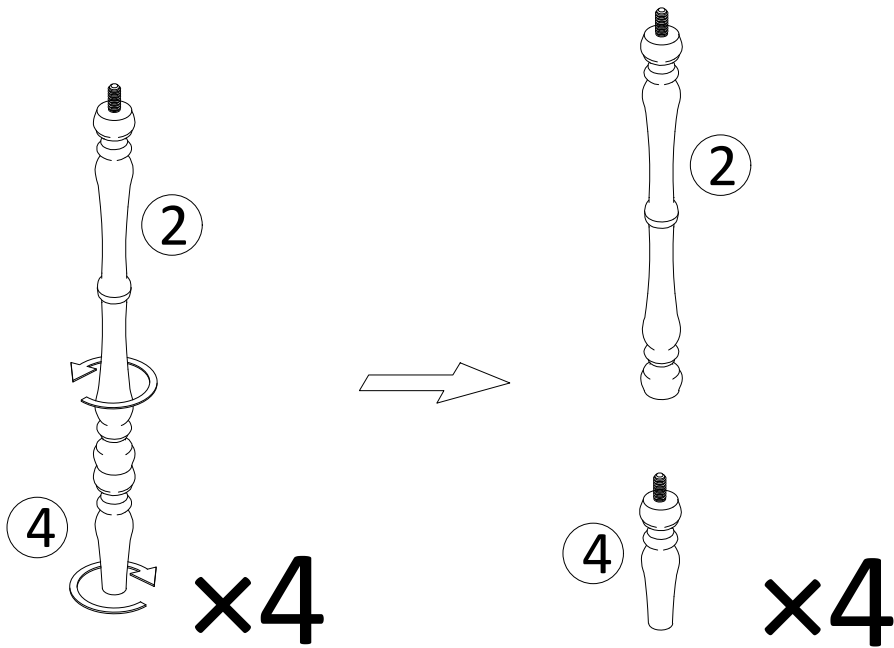
B	x2
	
φ25×17mm	

C	x2
	
M4×8mm	

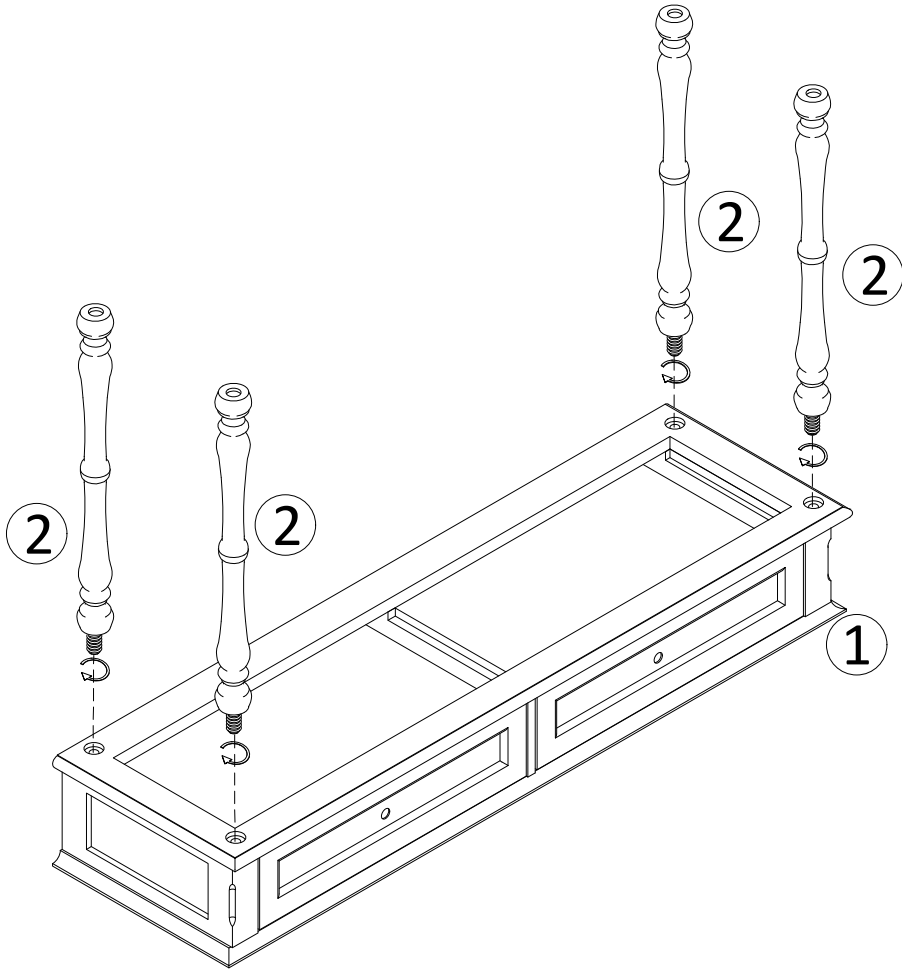
D	x2
	
FA4×40mm/FA4×12mm	

1

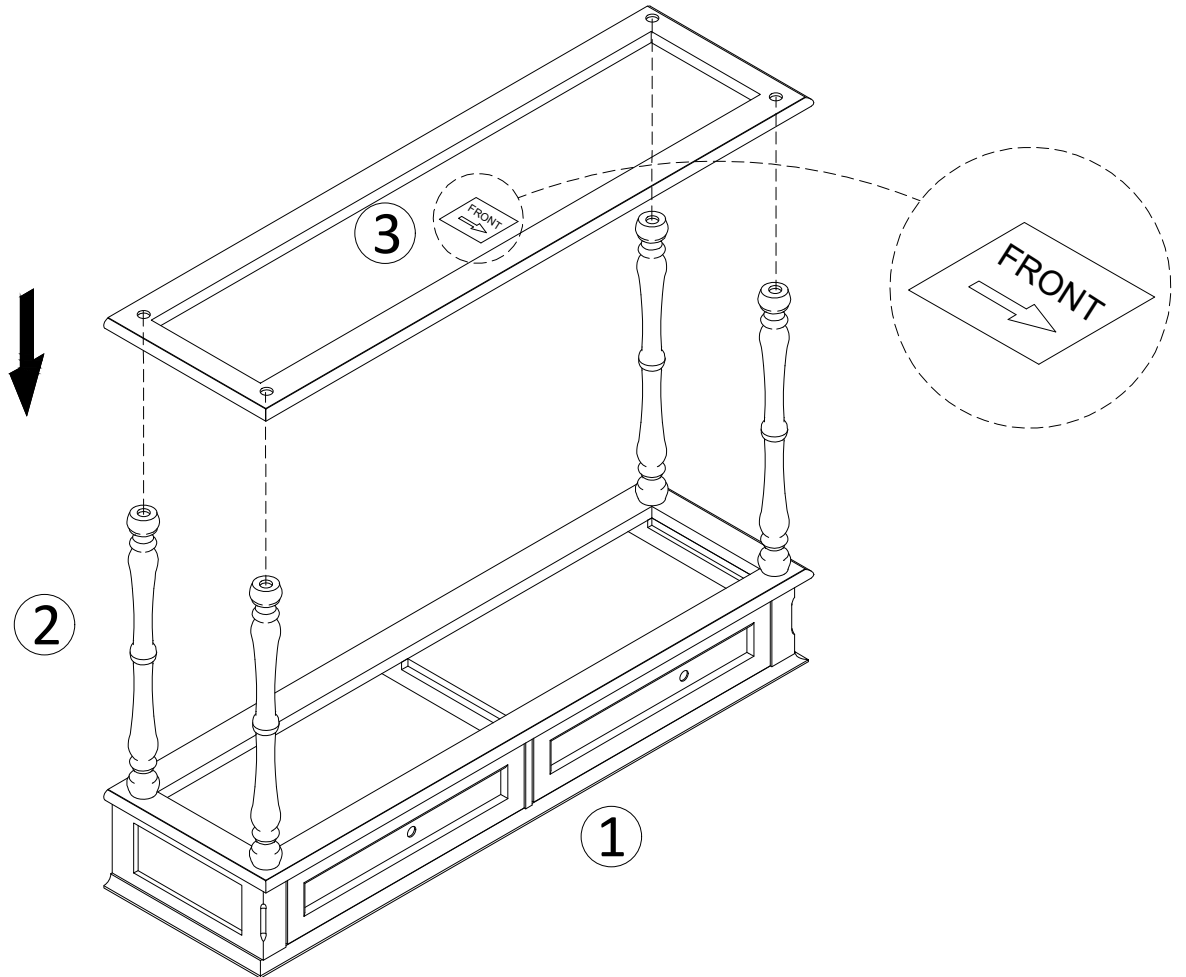
Note: Twisting off the short legs in advance.



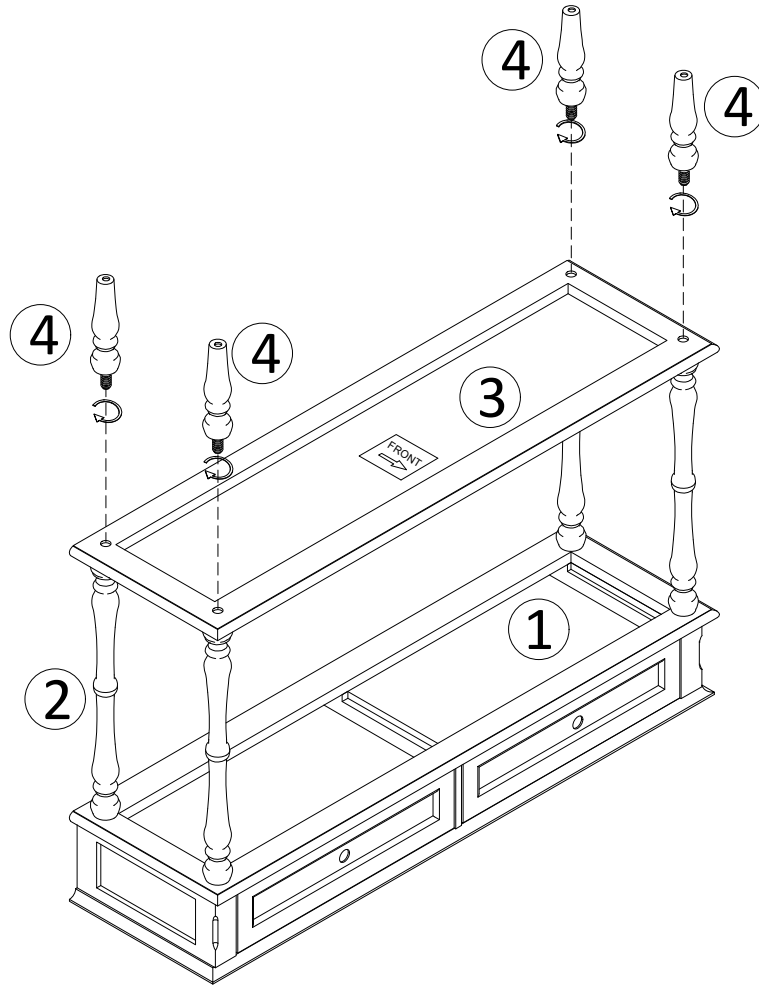
2



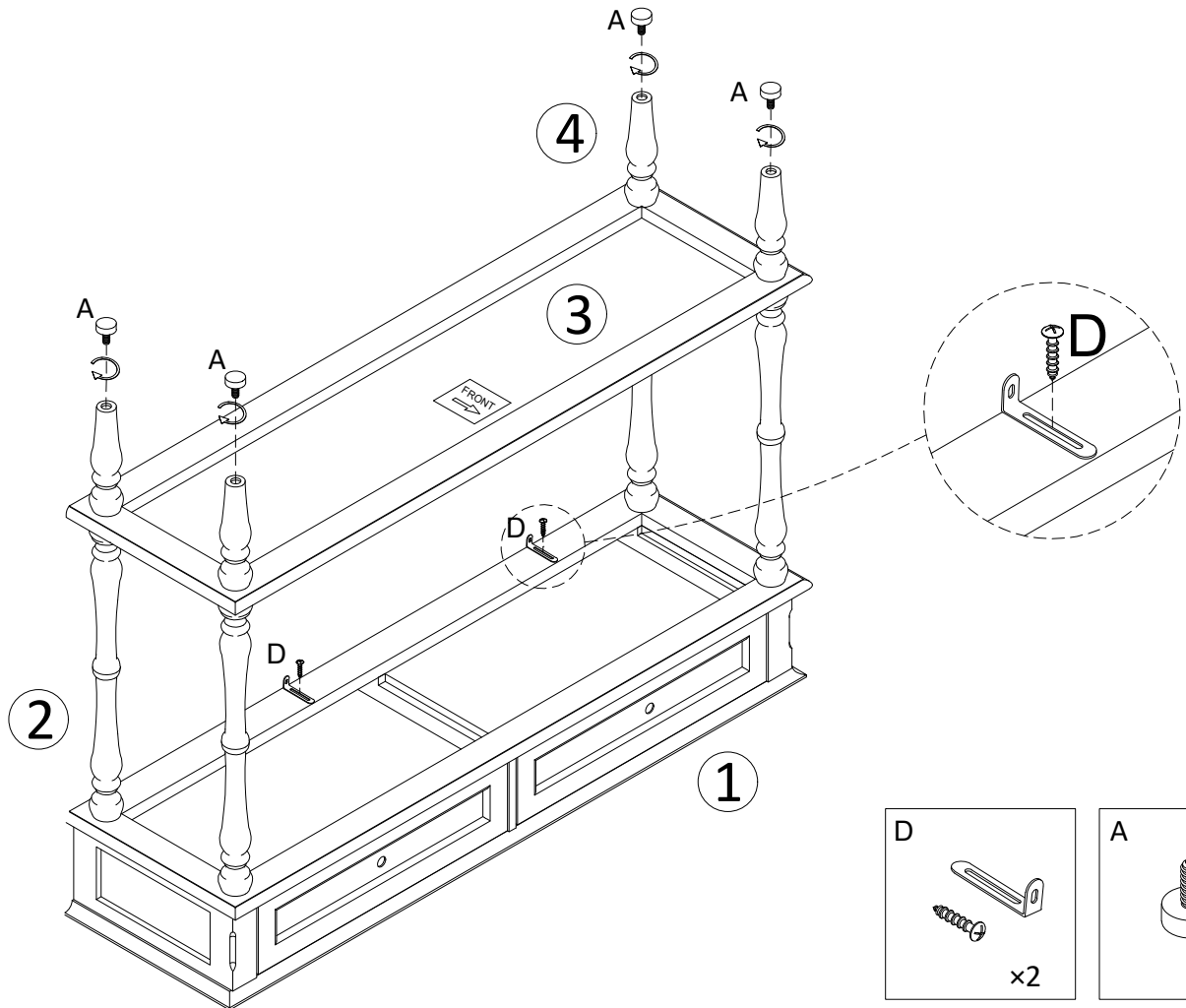
3



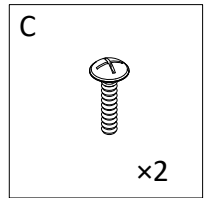
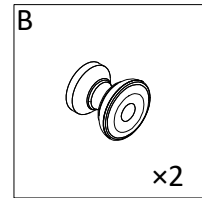
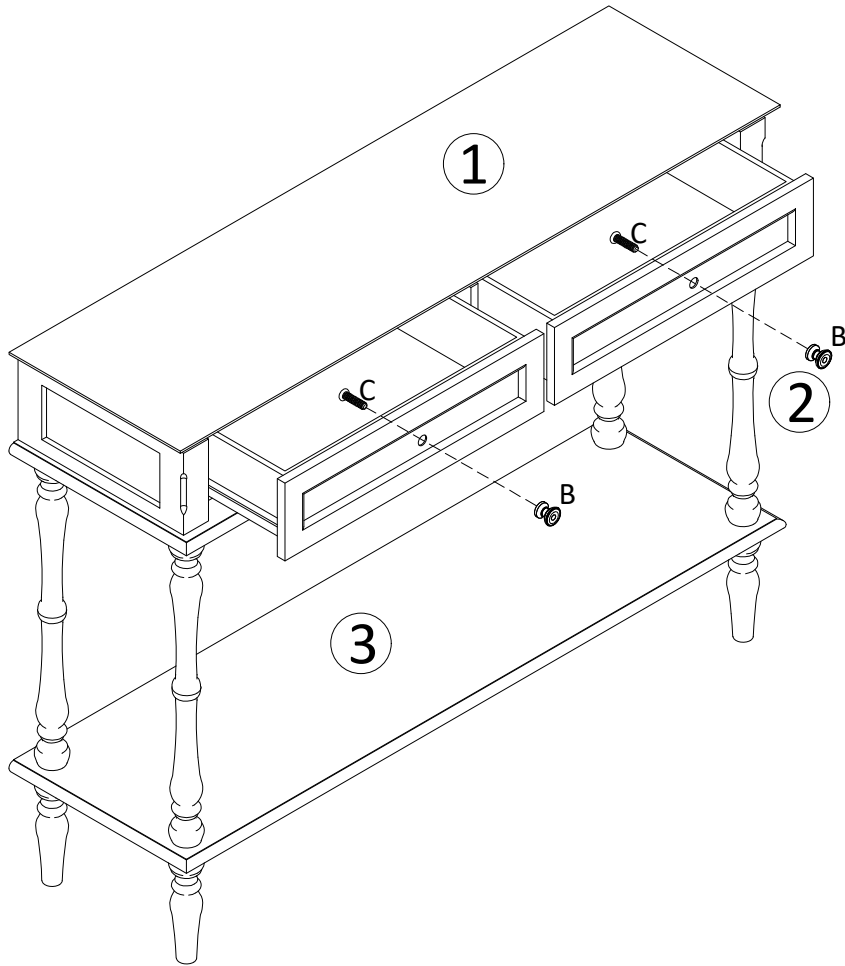
4



5



6



7

wall

