



# WALNUT NIGHTSTAND

# ASSEMBLY INSTRUCTIONS

Read instructions carefully. See hardware and furniture part list for guidance.  
 Be sure all parts are complete before assembly. Place all wooden furniture parts on a clean and flat soft surface to prevent from being scratched.  
 Follow the figure to start assembling.

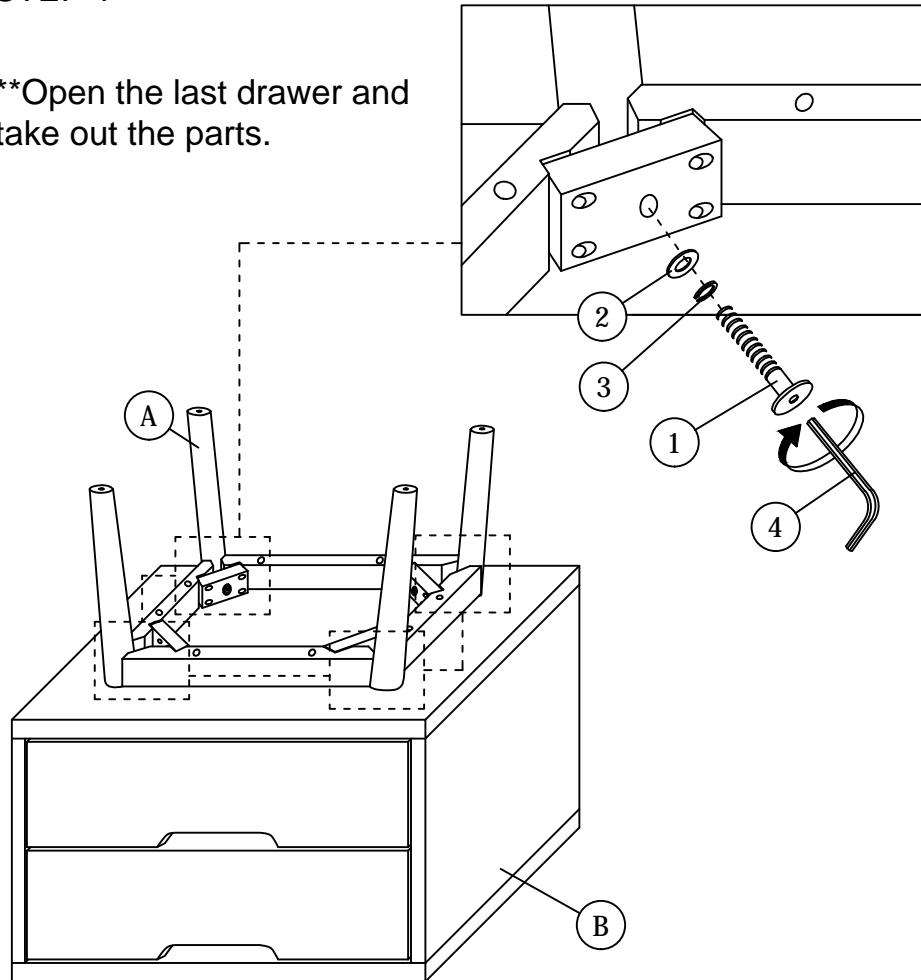
PART LIST		
ITEM	DESCRIPTION	QTY
A	LEGS	4 PCS
B	NIGHTSTAND	1 PC

HARDWARE LIST		
ITEM	DESCRIPTION	QTY
1	JCBC BOLT M6 x 60mm 	4 PCS
2	M6 Flat Washer 	4 PCS
3	M6 Spring Washer 	4 PCS
4	M4 ALLEN KEY (BALL SHAPE) 	1 PC

CAUTIONS : 1. Do not FULLY - TIGHTEN the nuts or bolts until all nuts autill all are loosley assembled.  
 2. Do not OVER - TIGHTEN the nuts or bolts. This causing damage to the threads.  
 3. Keep all hardware parts out of reach of children.

## STEP 1

\*\*Open the last drawer and take out the parts.



## STEP 2

