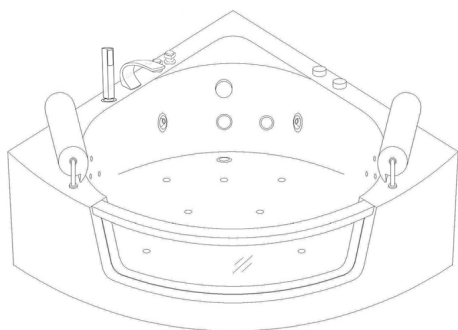
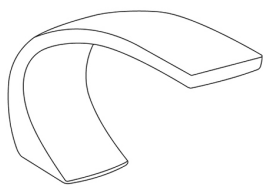


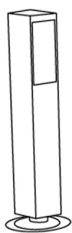
# 1 : Package



[1] x 1



[2] x 1



[3] x 1

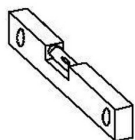


[4] x 2

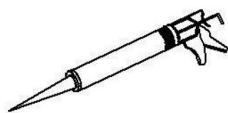


[5] x 1

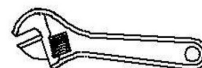
# 2 : Install tools



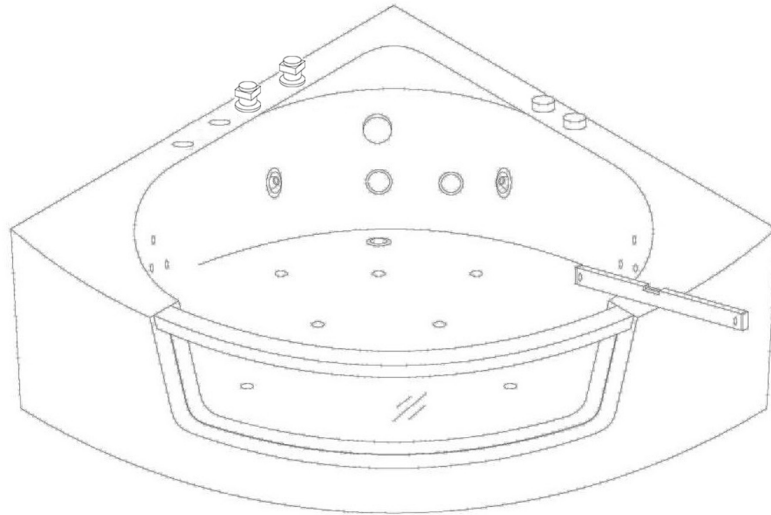
(A)



(B)

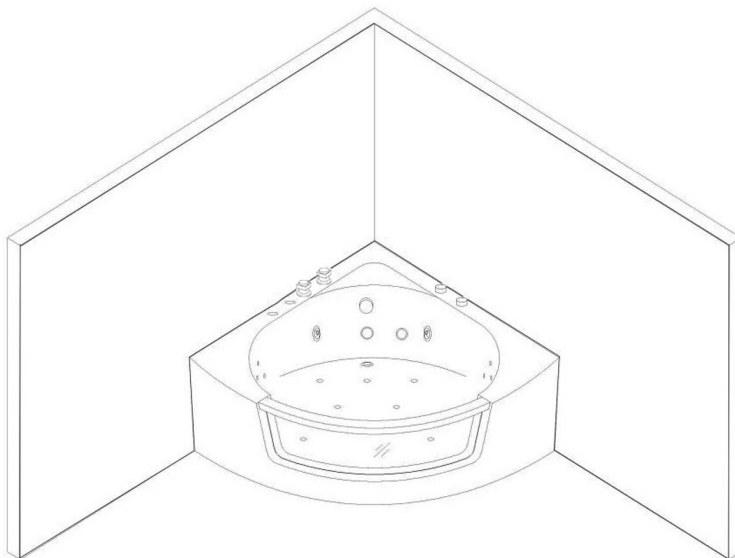


(C)

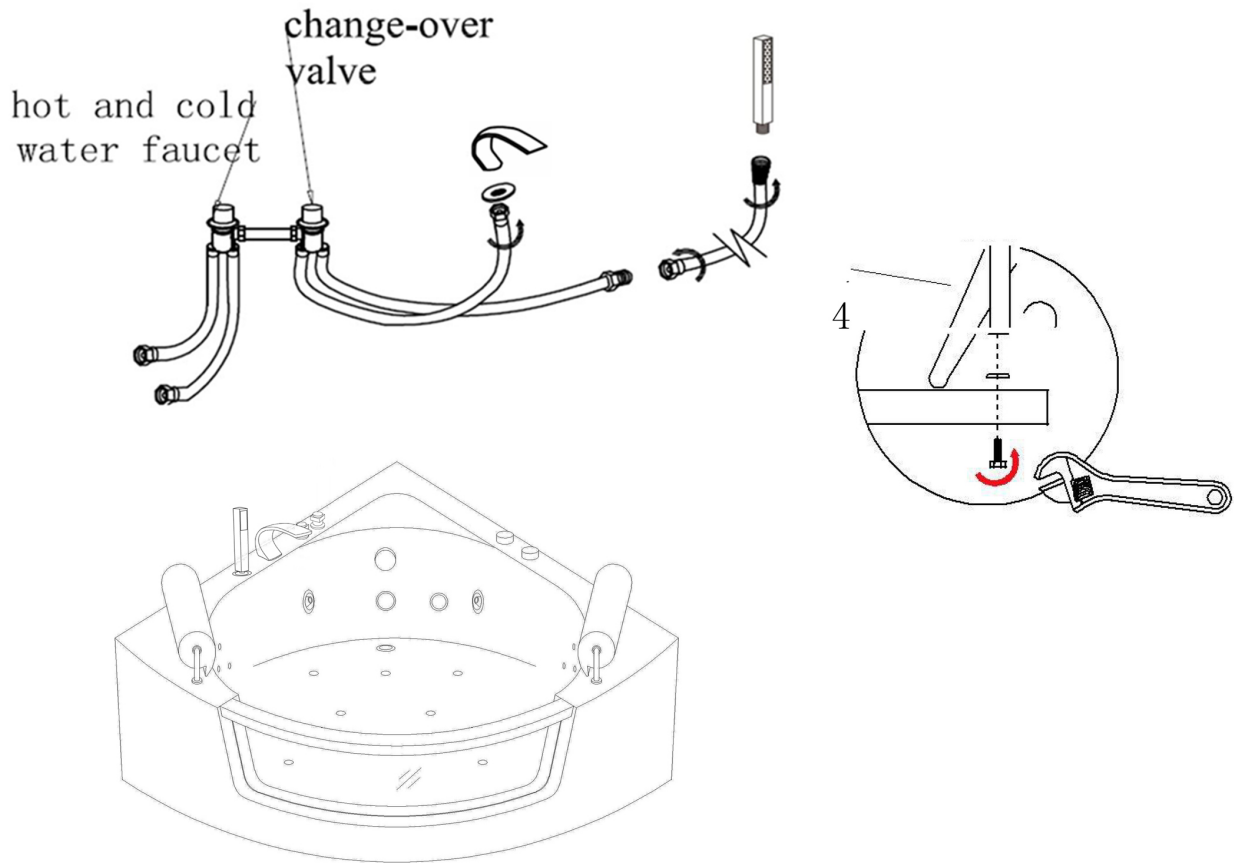


---

Step 2 : Move the bathtub out



Step 3 : as the pics : connect the waterfall and shower (install the waterfall in the bathtub first )



Step 4 : as the pics ,First, Take the down-flow pipe inserted into the sewer ,then connect the inlet pipe (take care the hot and cold water ) and Plug the power cord into

