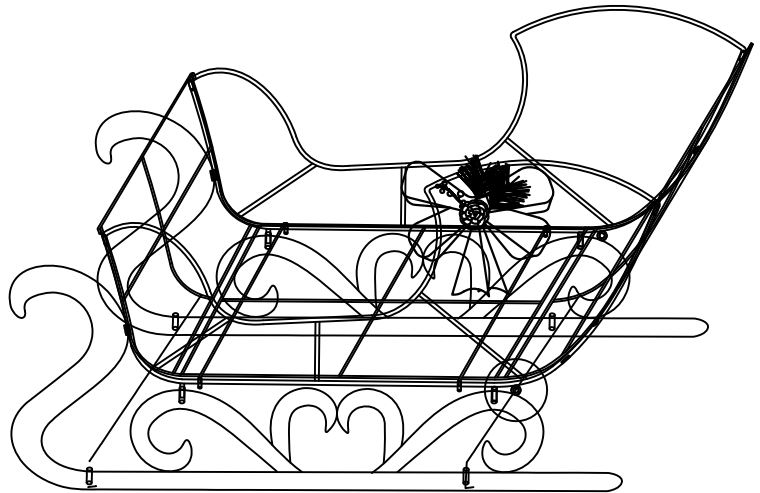
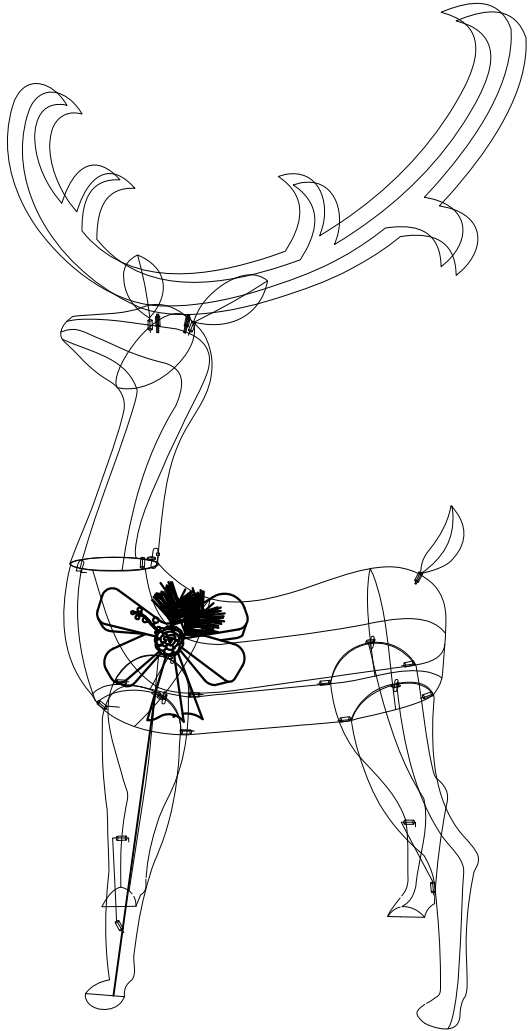


INSTRUCTION MANUAL



Thank you for shopping with us!

We appreciate your purchase and are ready to be at your service!

If you find parts missing, broken, or hard to put together or when you are not satisfied or have any valuable suggestions, please do not hesitate to contact us first!

We will definitely give you a satisfactory solution or answer then!

NOTICE! Please retain these instructions for future reference.

- This product is intended for outdoor use and should be assembled outdoors only.
- This item is not intended for permanent installation or use.
- Unplug item when not in use or if left unattended.
- Ensure that your voltage is consistent with specifications
- If any parts are missing, broken, damaged, or worn, stop using this product until repairs are made and/or factory replacement parts are installed.
- Do not use this item in a way inconsistent with the manufacturer's instructions as this could void the product warranty.

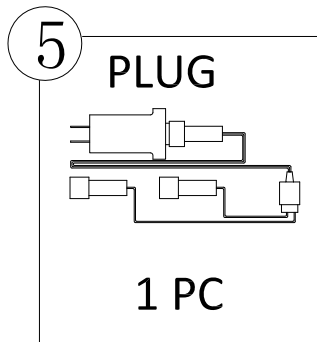
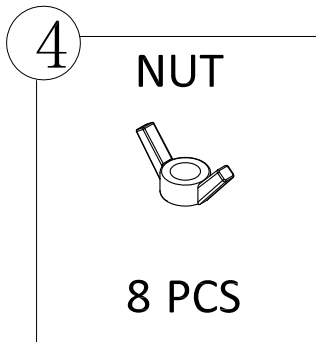
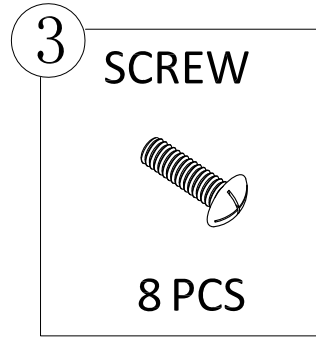
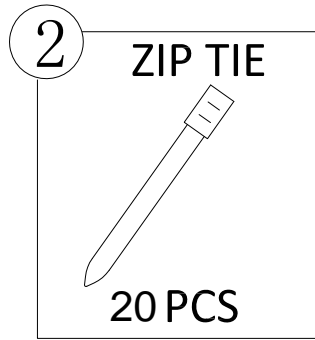
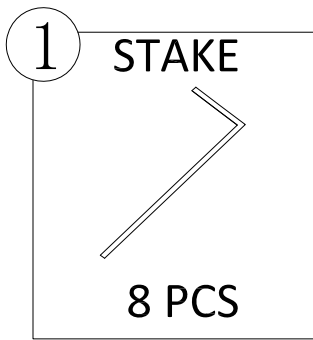
WARNINGS!

- Do not plug into a wall outlet until item is fully assembled and lights are properly connected.
- Do not use in extreme weather conditions.
- This product contains glitter, do not assemble indoors to avoid unintended property damage and cleanup.
- Do not allow glitter to contact your eyes or face as this may result in skin irritation or injury.
- Keep item away from all heat sources (fireplace, stove, heater, etc.).
- Please use the provided stakes to properly secure the reindeer.
- Do not secure wiring with staples, nails, or sharp hooks.
- Do not hang ornaments or other objects from the cord.
- Unplug item before removing or changing bulbs.
- Replace burned-out bulbs immediately. Make sure to purchase bulbs of the same rated voltage and wattage.

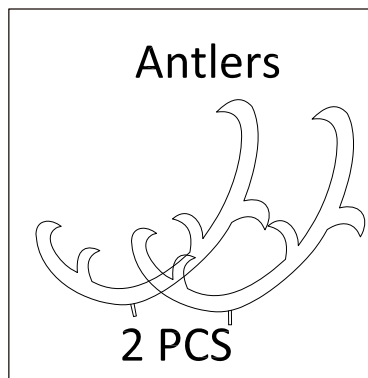
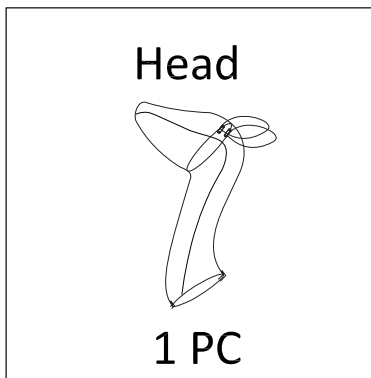
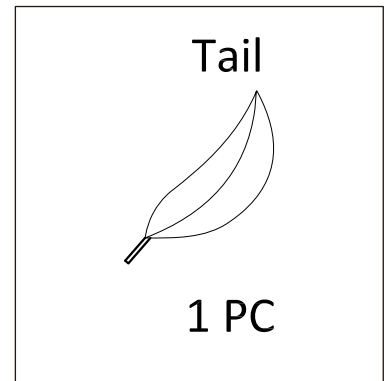
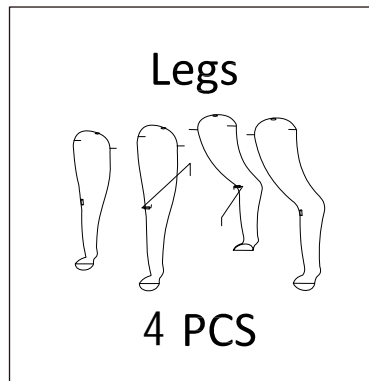
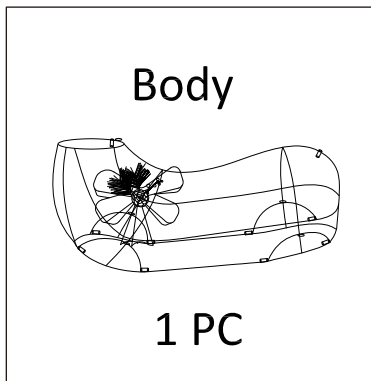
TROUBLESHOOTING

PROBLEM	REASON	SOLUTION
One section does not light	Broken or loose bulb	Inspect bulbs individually and replace broken bulbs
Lights do not work	Not plugged in	Firmly plug into wall outlet
	Extension cord does not have power	Plug in/turn on extension cord
	Broken or loose bulb	Inspect bulbs individually and replace broken bulbs
	Blown fuse	Replace fuse on plug

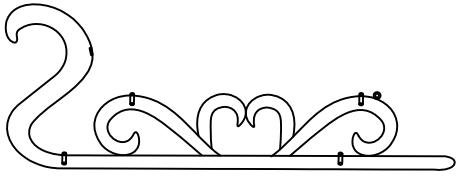
HARDWARE



PARTS

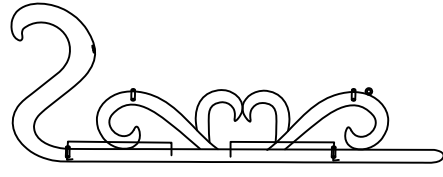


Right Runner



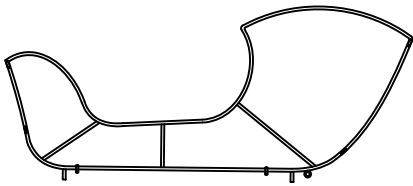
1 PC

Left Runner



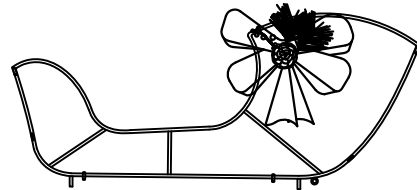
1 PC

Sleigh Right



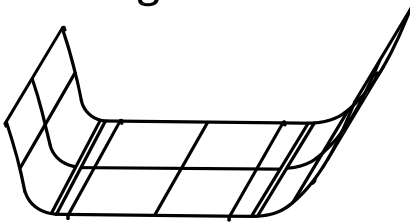
1 PC

Sleigh Left



1 PC

Sleigh Bottom

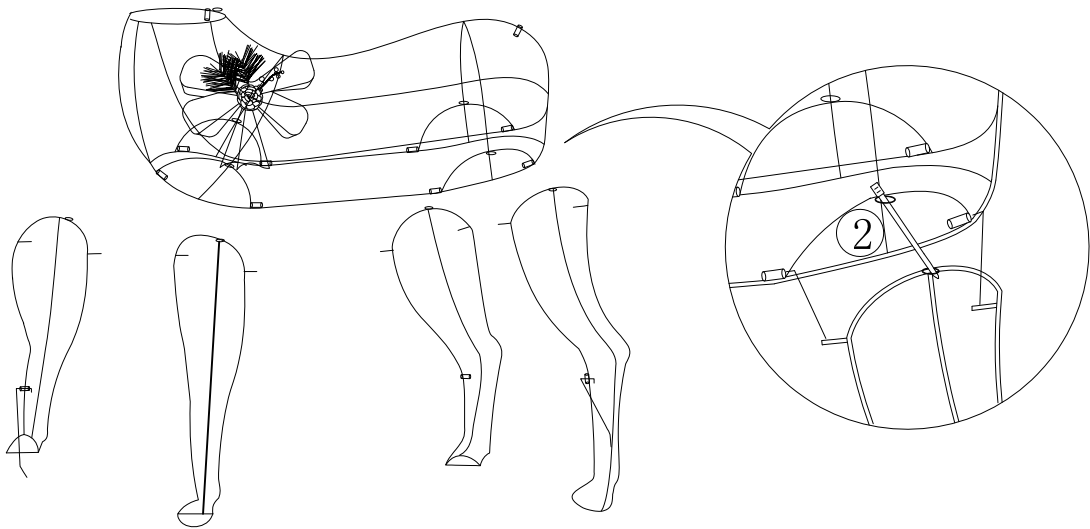


1 PC

PRODUCT ASSEMBLY

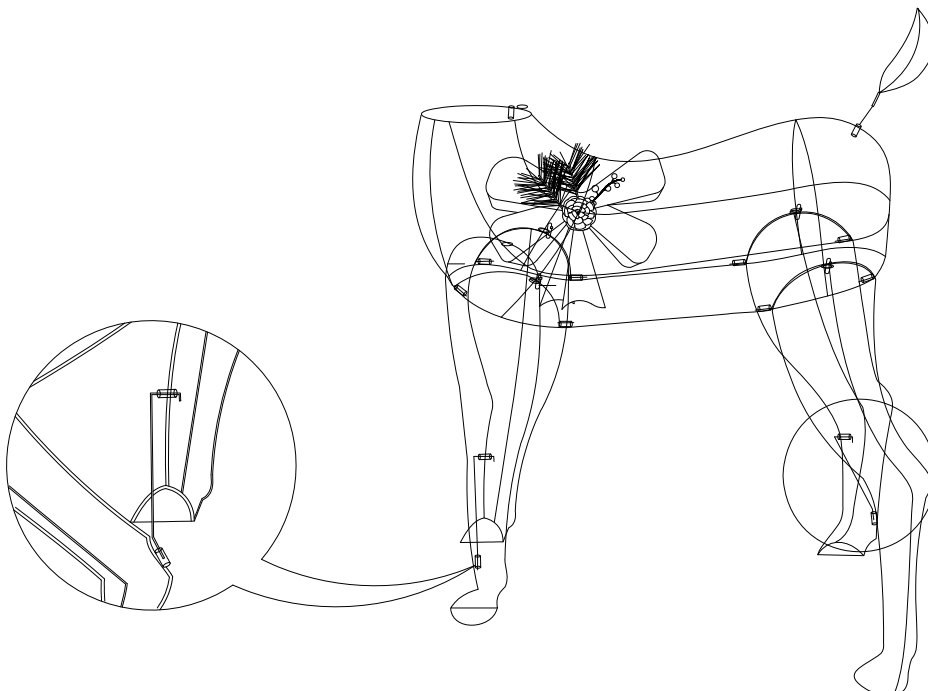
1

Carefully remove protective wrap. Do not use a knife to avoid damaging parts or light bulbs. Insert the legs into the designated holes on the body and secure with part (2) Zip ties. Do this four places.



2

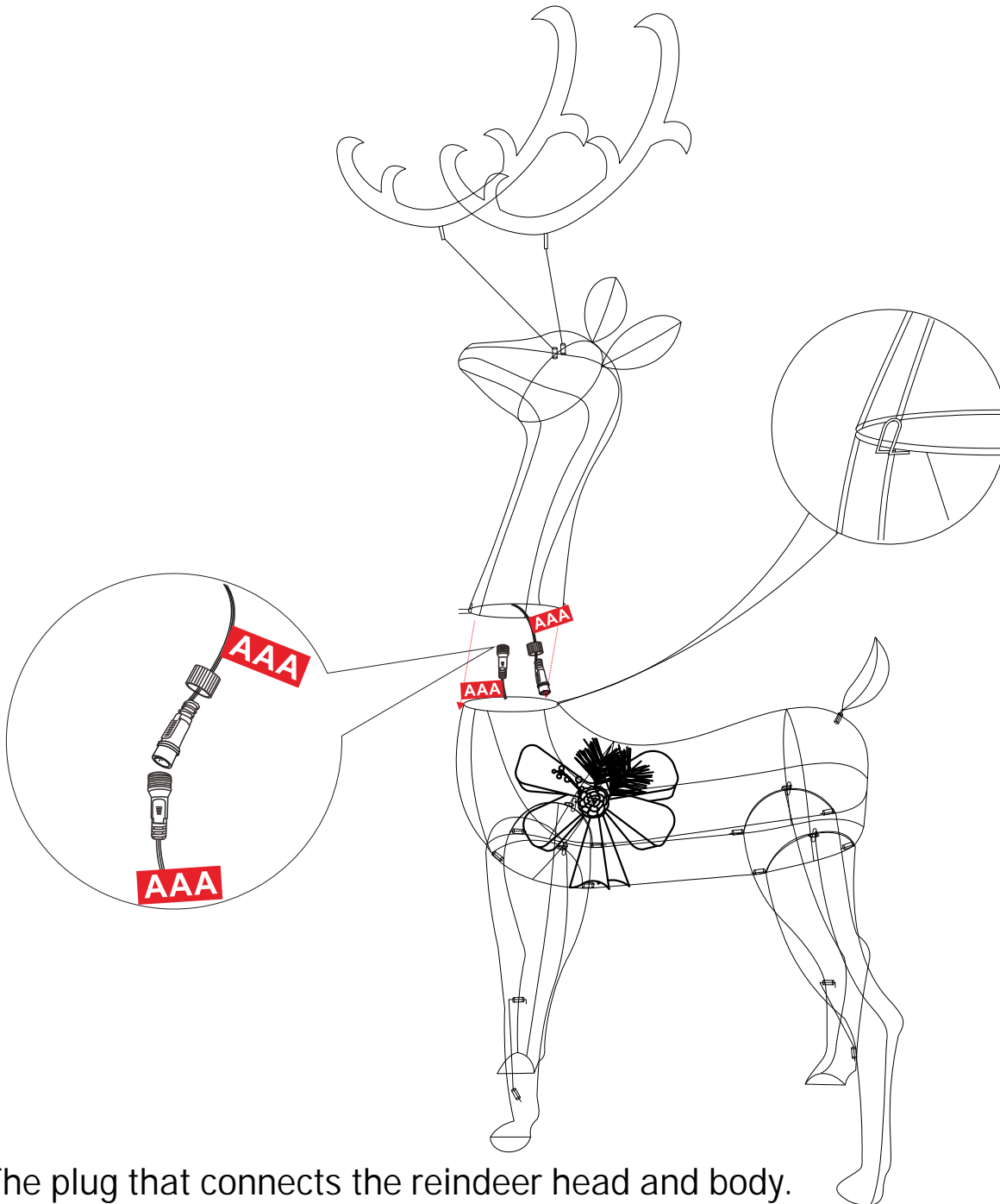
Insert the rod on a front leg into the designated hole on the other front leg. Repeat on the back legs. Insert the part tail.



PRODUCT ASSEMBLY

3

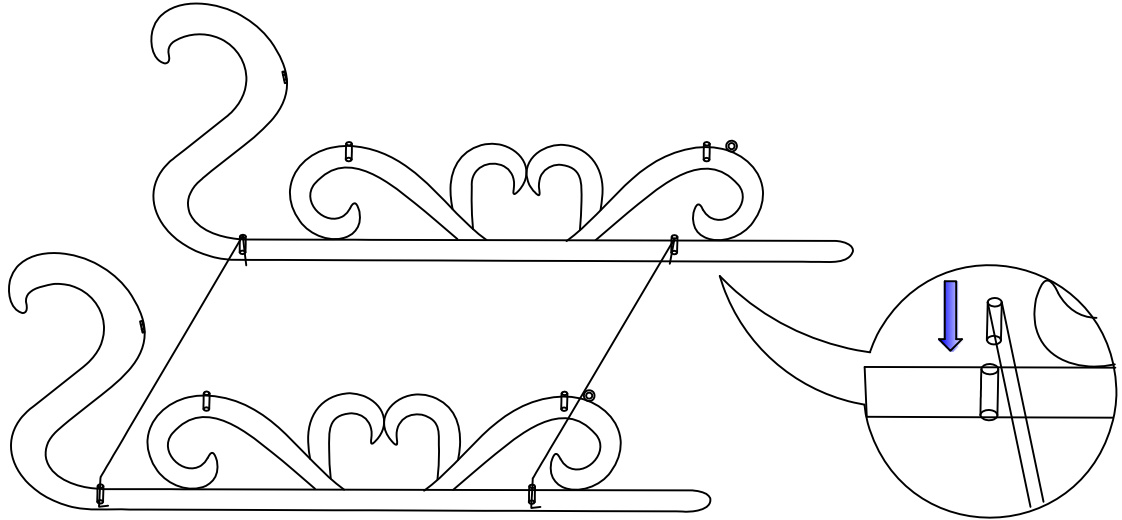
Insert the head.
Insert the antlers.



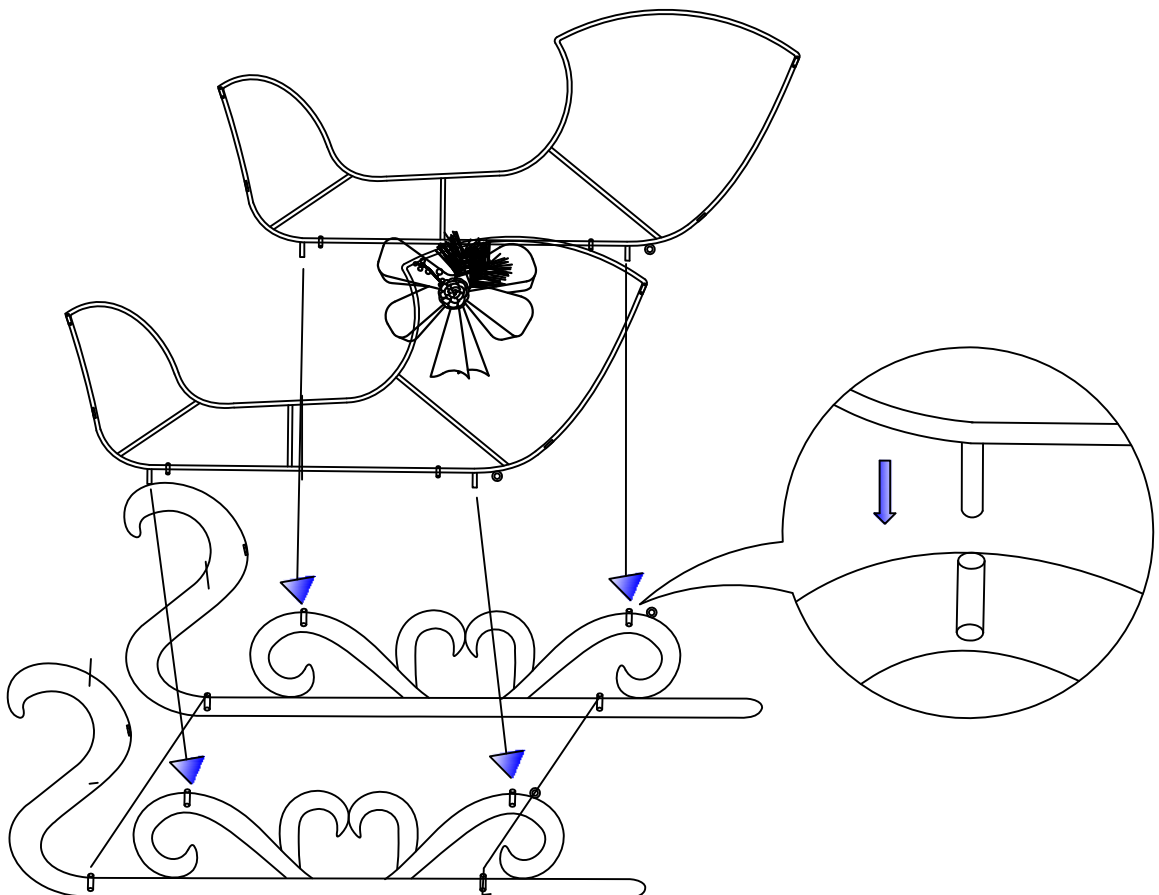
The plug that connects the reindeer head and body.

PRODUCT ASSEMBLY

- 4** Insert the rods on the left runner into the designated holes on the other runner. Do this two places.

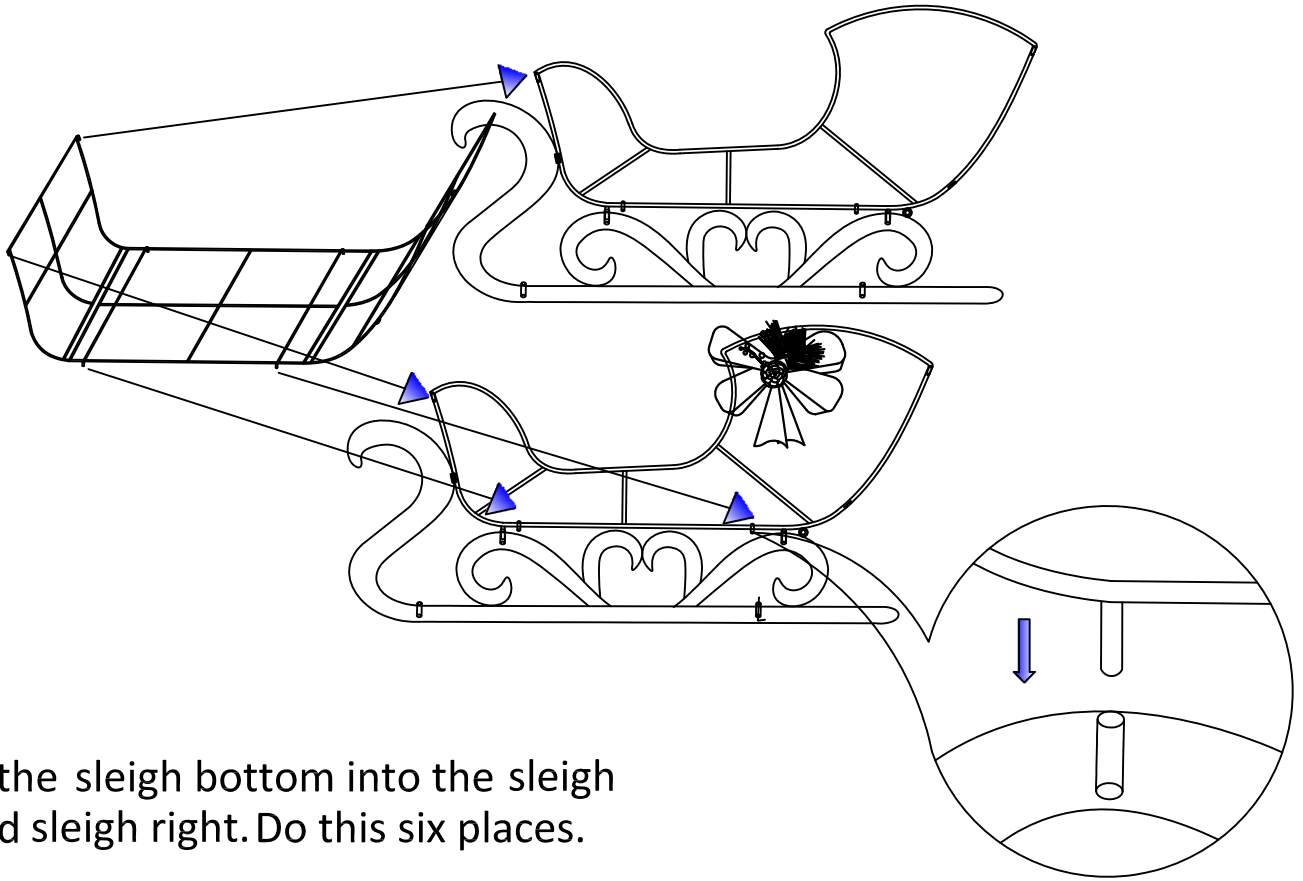


- 5** Insert the sleigh left side and sleigh right side into the runner. Do this four places.



PRODUCT ASSEMBLY

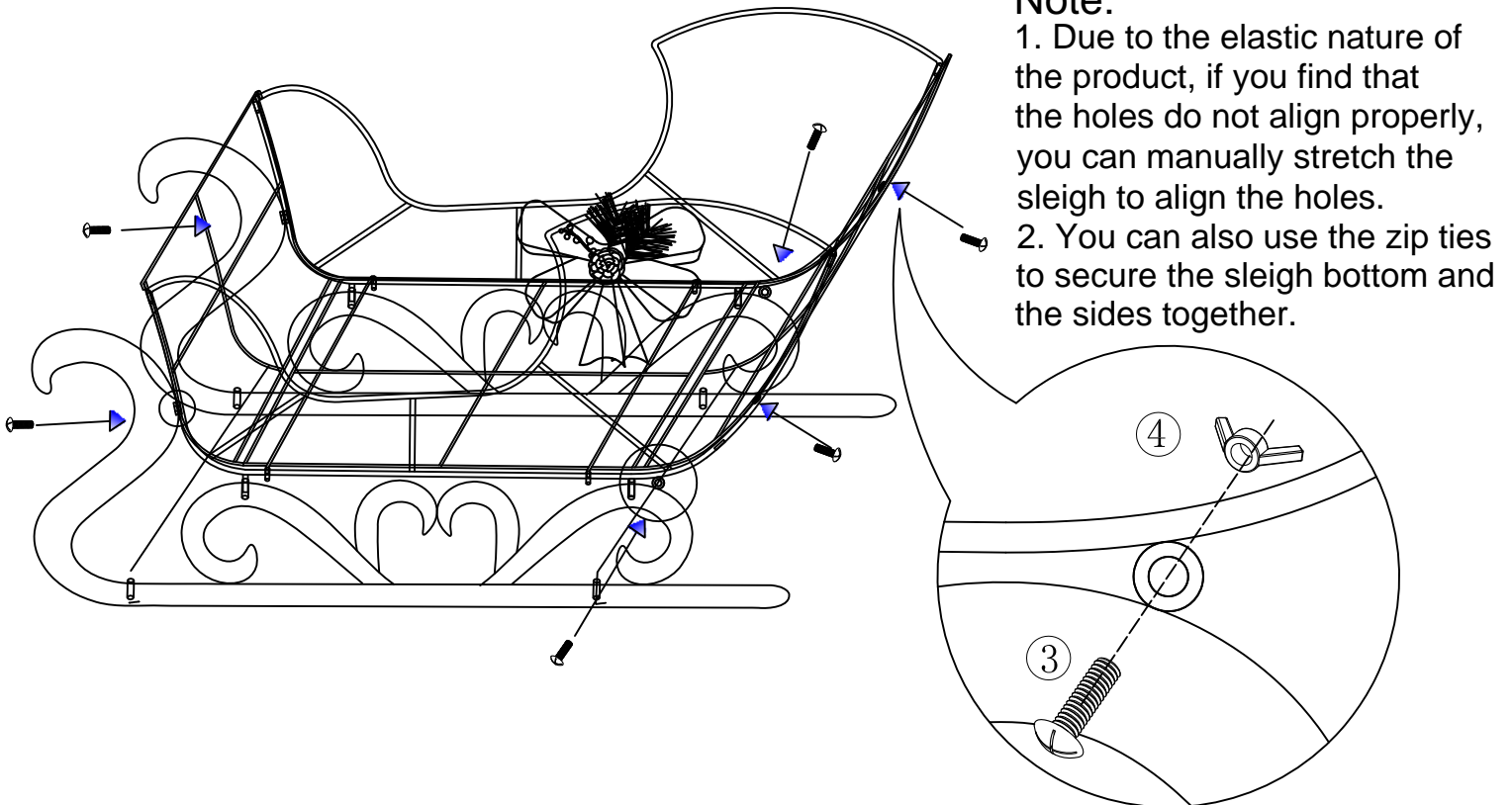
6



Insert the sleigh bottom into the sleigh left and sleigh right. Do this six places.

7

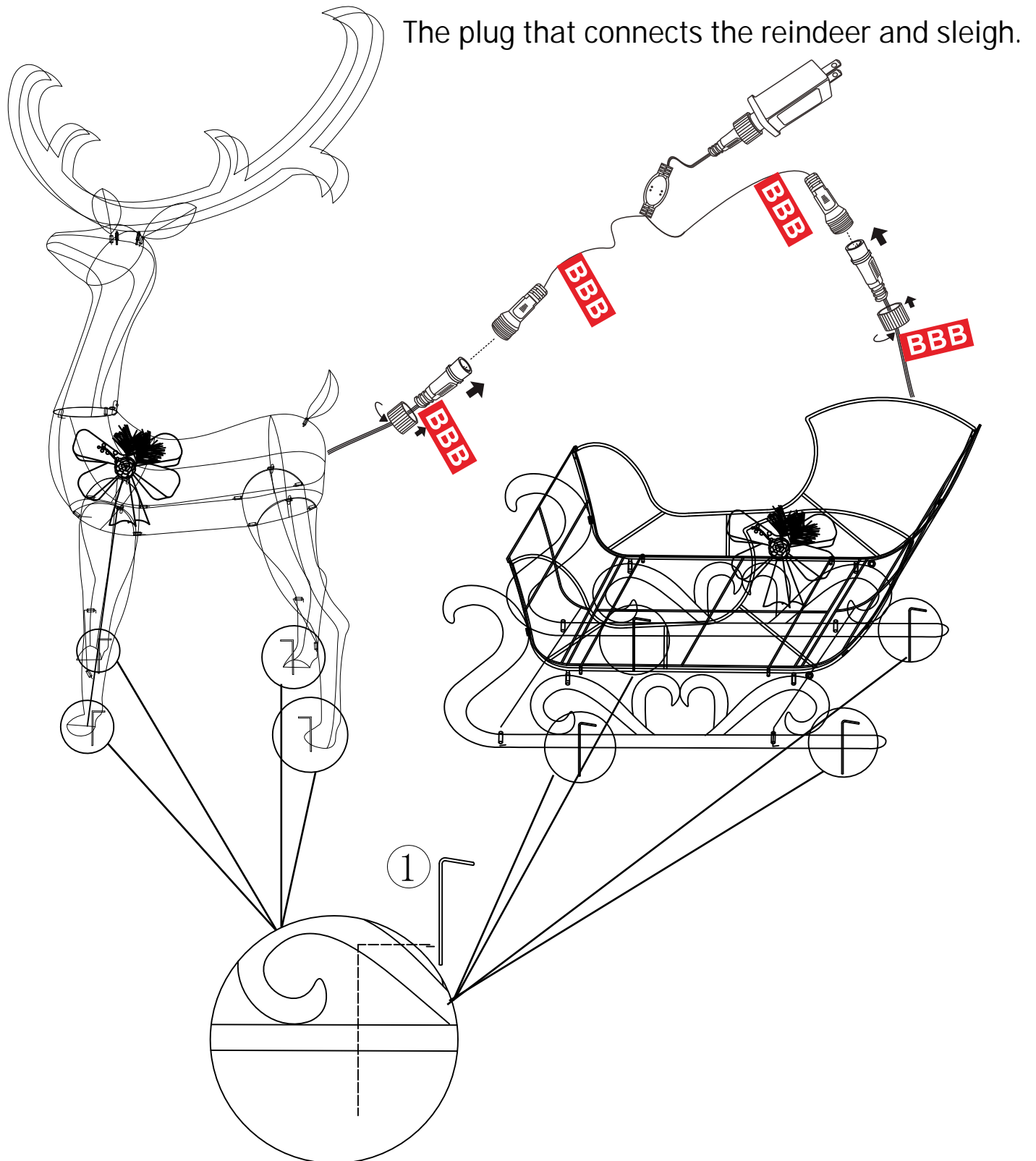
Secure sleigh's front and back, left and right part (3) screw and part (4) nut.



Note:

1. Due to the elastic nature of the product, if you find that the holes do not align properly, you can manually stretch the sleigh to align the holes.
2. You can also use the zip ties to secure the sleigh bottom and the sides together.

PRODUCT ASSEMBLY



Secure the reindeer and sleigh to the ground with 8 part (1) stakes.

PRODUCT ASSEMBLY

