

Bookcase Bed

Assembly Instructions



IMPORTANT! KEEP IT FOR FUTURE REFERENCE

IMPORTANT INFORMATION

WARNING: This bed is not suitable for children under 4 years

WARNING: Do not place this child's bed near heat sources, windows and other furniture.

WARNING: Do not use this Child's Bed if any part is broken, torn or missing.

It is recommended that you always follow the manufacturer's instructions to assembly this product.

This product is intended for use by children over 4 years fo age.

Children are likely to play, bounce, jump and climb on beds, therefore the child's bed should not be placed too close to other furniture or windows, blind cords, curtain pulls or other strings or cords and should be placed either tight to the wall or have a gap of 300mm between the wall and side of bed.

Please do not dismantle this bed once built.

Recommended Mattress Size: 90cm x 190cm (UK Single) with a depth of no more than 23cm.

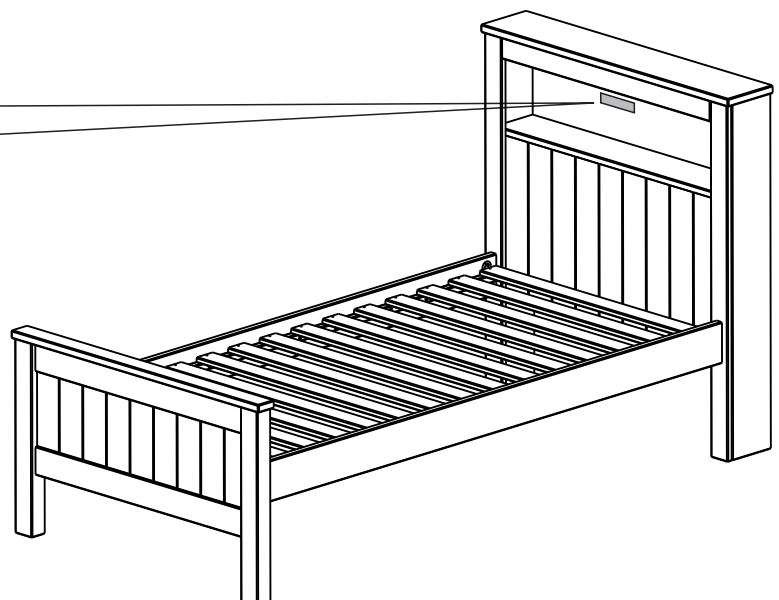
It is necessary to frequently ventilate the room in order to keep the humidity low and to prevent mould in and around the bed.

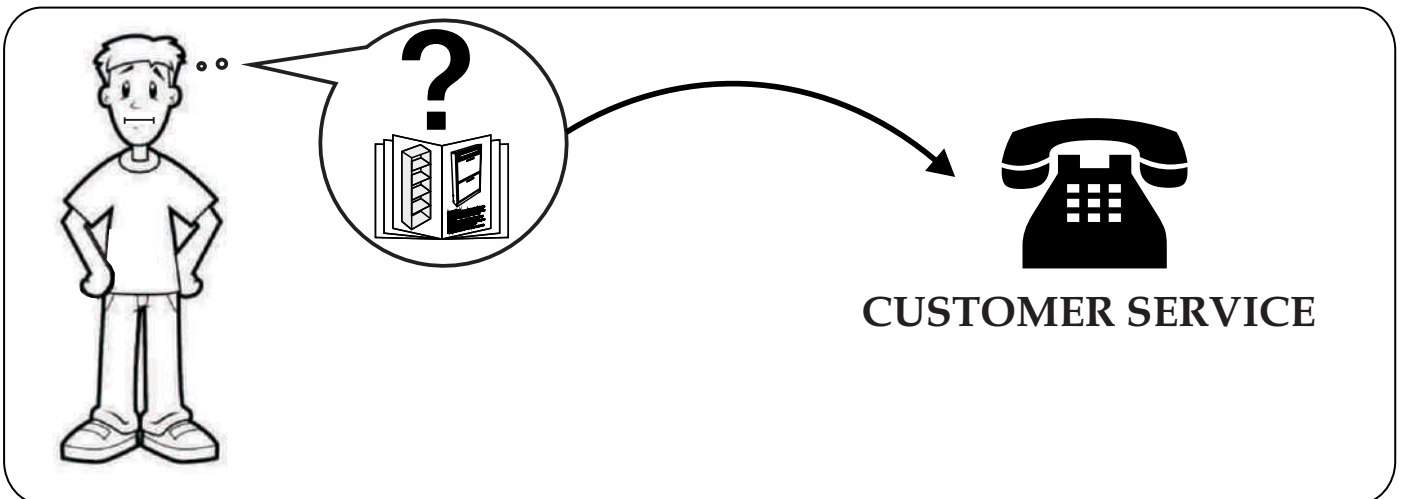
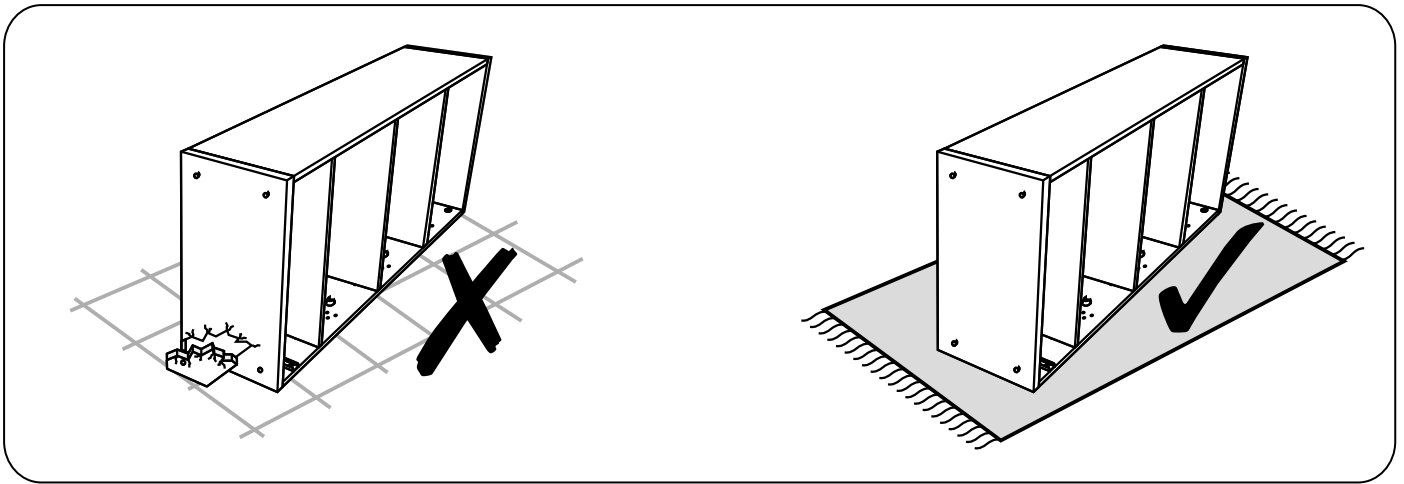
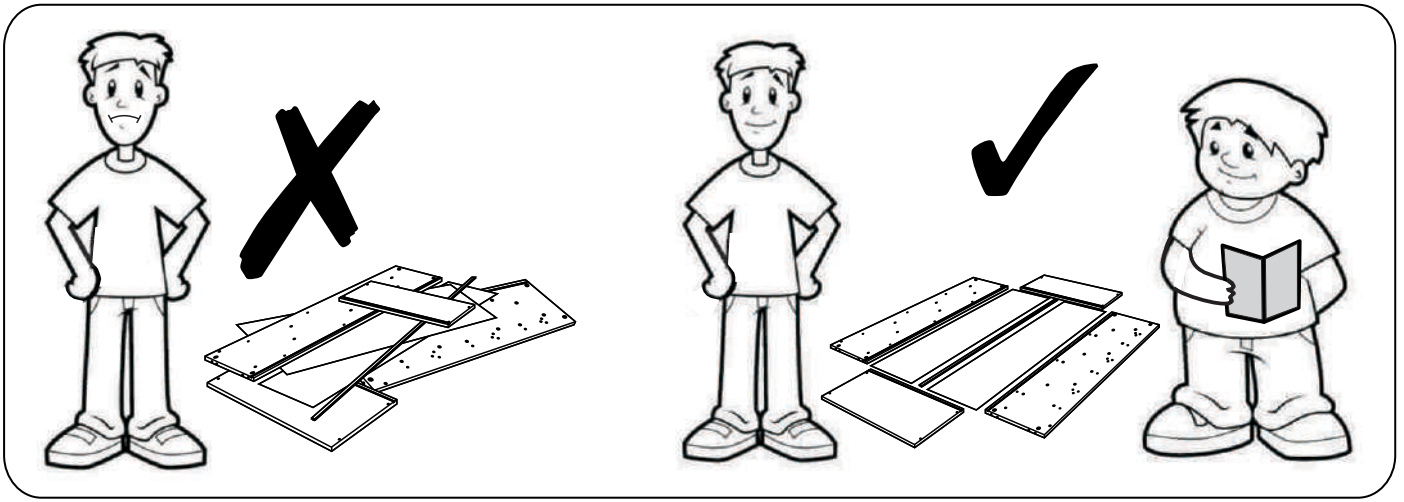
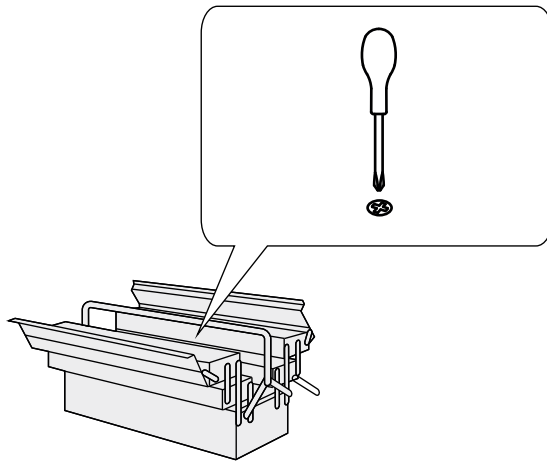
Please periodically check all the fixings of the item and re-tighten when necessary.

This item conforms to British Safety Standards - BS8509:2008 + A1:2011

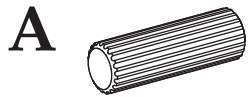
THESE LABELS ARE NOT TO BE REMOVED

<p>BOOKCASE BED 90cm Factory ID: Manufactured in Brazil</p>	<p>CERTIFICATION LABEL This childrens bed has been tested by an independent laboratory and is in compliance with BS8509:2008 + A1:2011 Standard Consumer Safety Specification For Junior Beds</p>
<p>WARNING: This bed is not suitable for children under 4 years</p>	

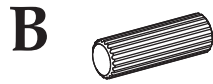




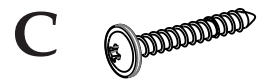
HARDWARE



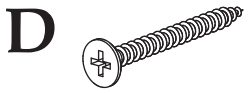
Wooden dowel x 04
10 x 40mm



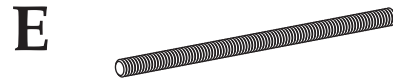
Wooden dowel x 28
8 x 35mm



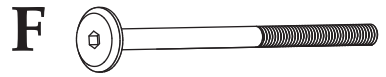
4.5 x 50mm Screw x 3



4 x 35mm Screw x 30



Headless bolt 1/4 x 75mm x 4



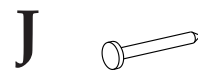
1/4 x 80mm Bolt x 4
Cab. 17



Half moon nut 1/4 x 4



Nut 1/4 x 4



Pin 8x8 x28



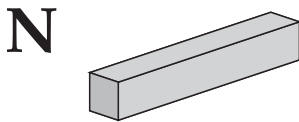
Washer x 4



Spanner x1



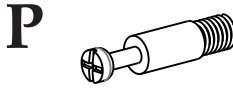
Allen key x 1



61mm Spacer x 1

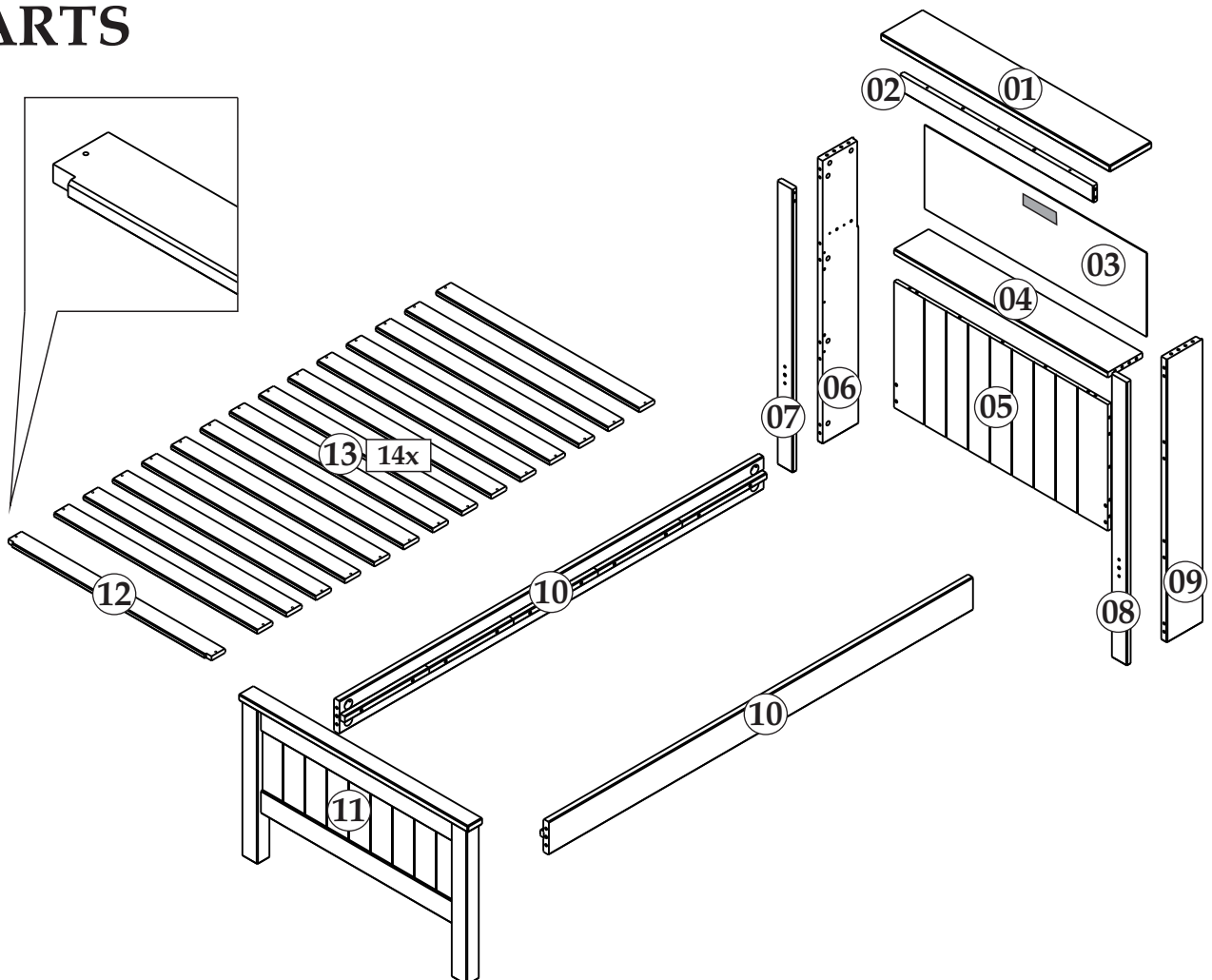


Nut x 27



Stem x 27

PARTS



Safety Advice

Please take the time to carefully read through the whole of these instructions before you commence.

Keep these instructions for future reference.

Unpack, inspect and check off all of the contents.

Please dispose of all packaging safely.

Small component parts could choke a child if swallowed.

We strongly recommend that you keep children well away from the work area.

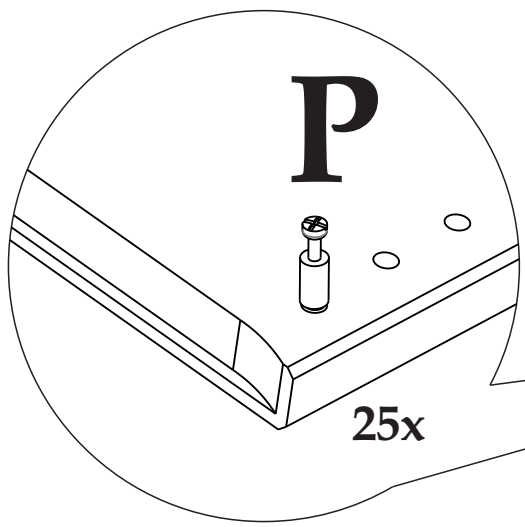
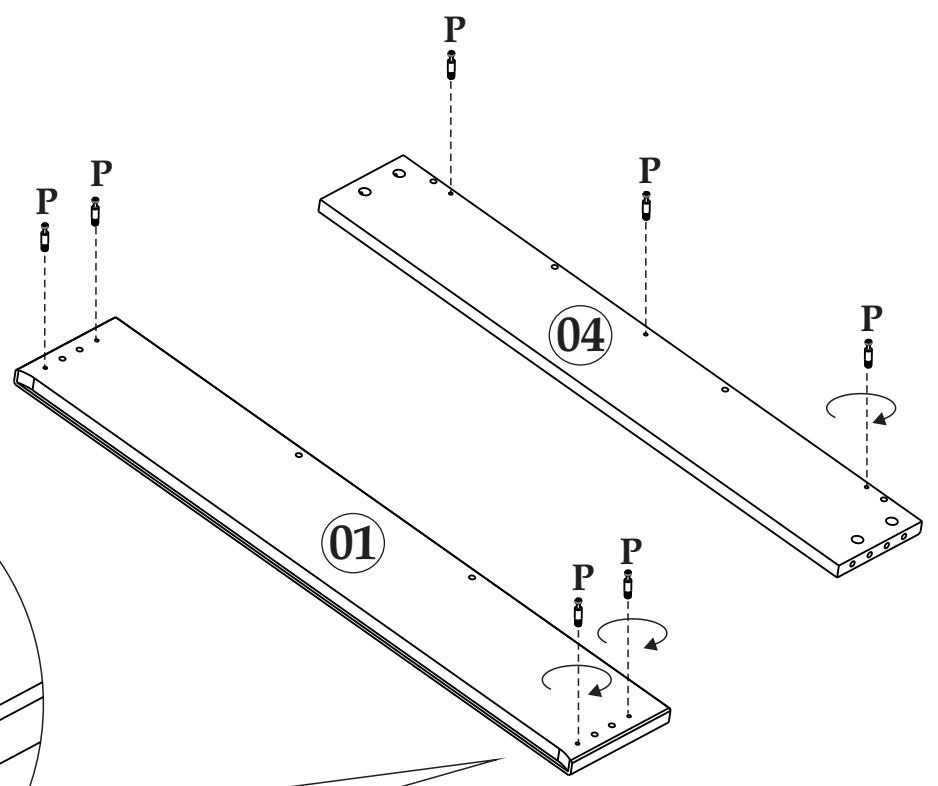
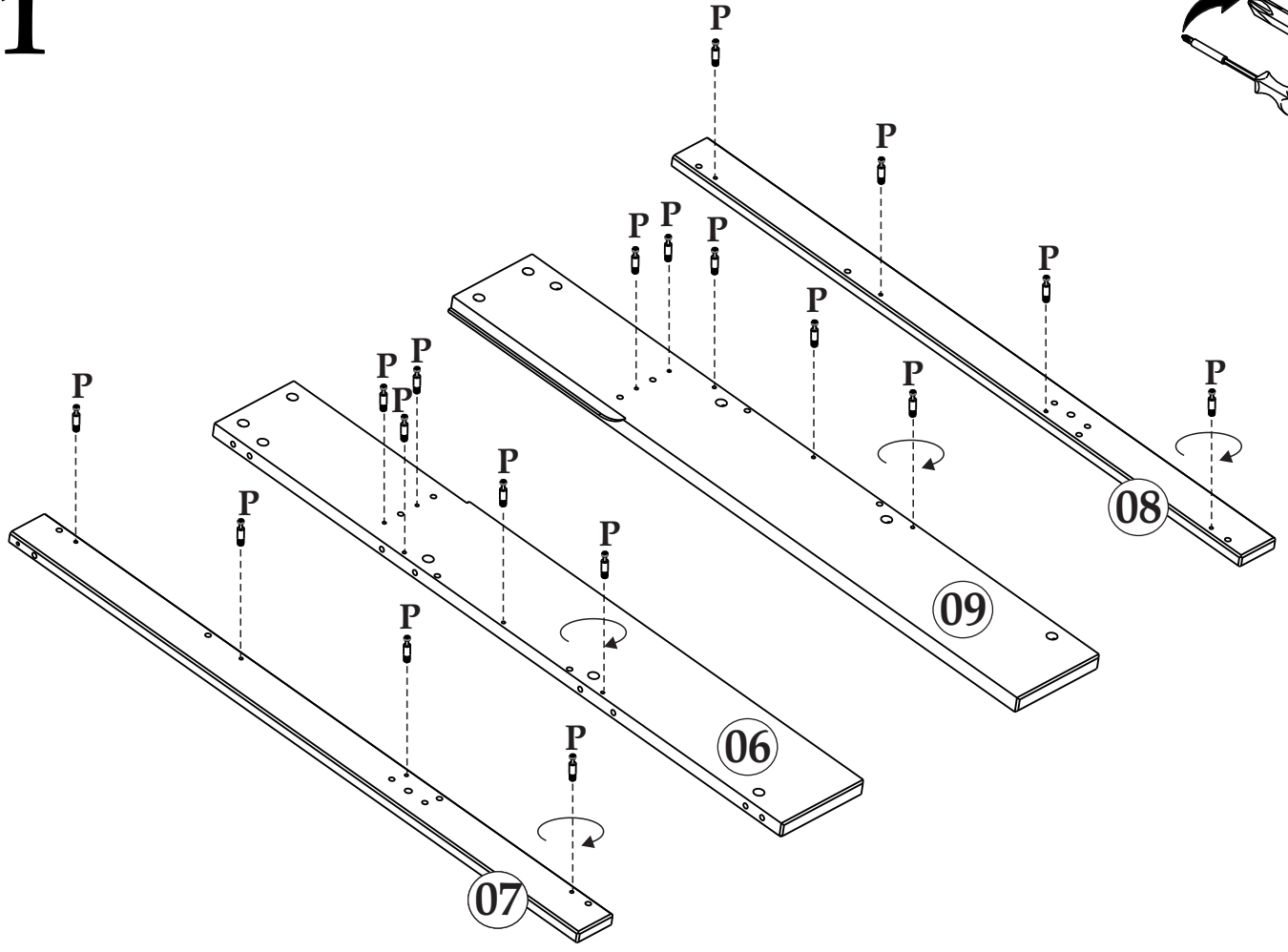
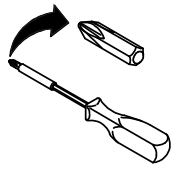
It would be sensible to lay a sheet or blanket on the floor where you intend to work to avoid scratching this product and to protect your floor.

This product is heavy. Take extreme care when lifting to avoid personal injury or damage to the product.

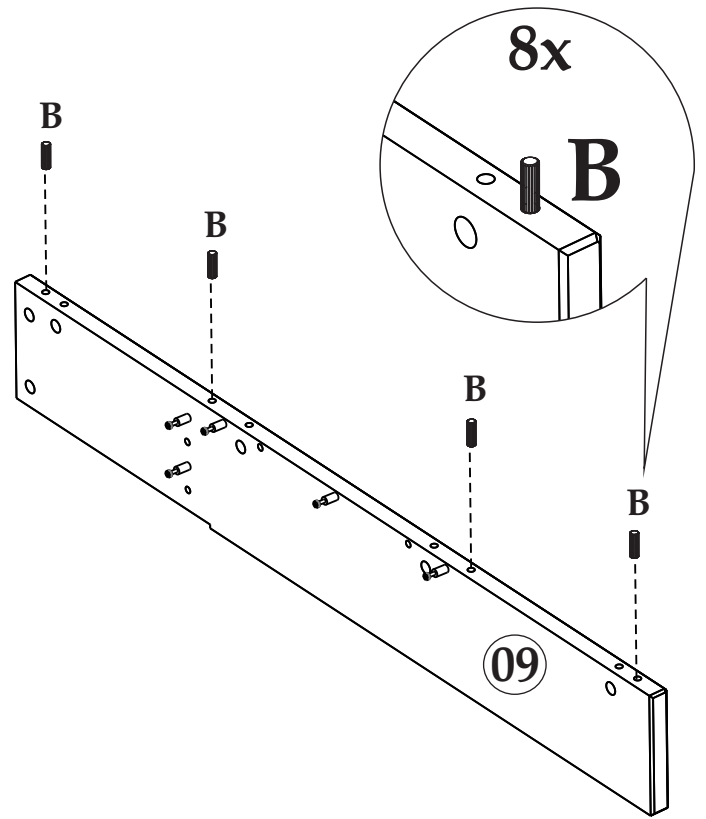
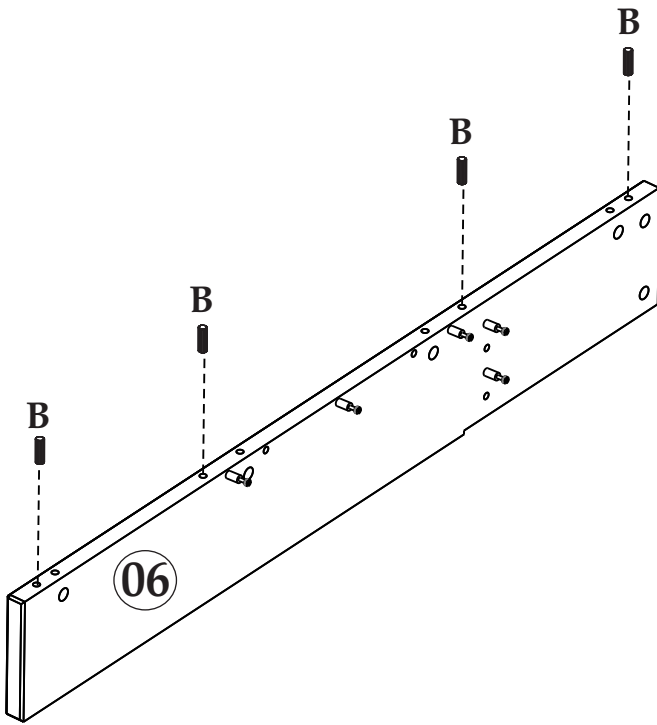
Assemble the product as close to its intended final position in the room as possible.

HANDY HINT: If you keep the hardware in a bowl during assembly you will be less likely to lose them.

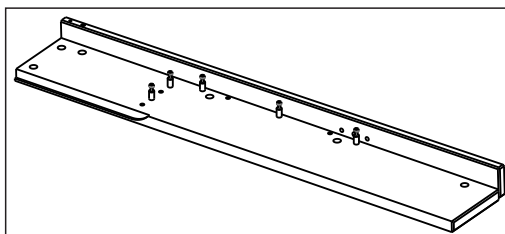
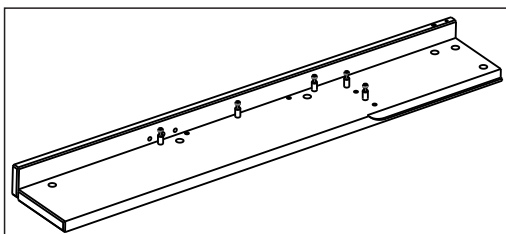
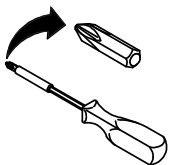
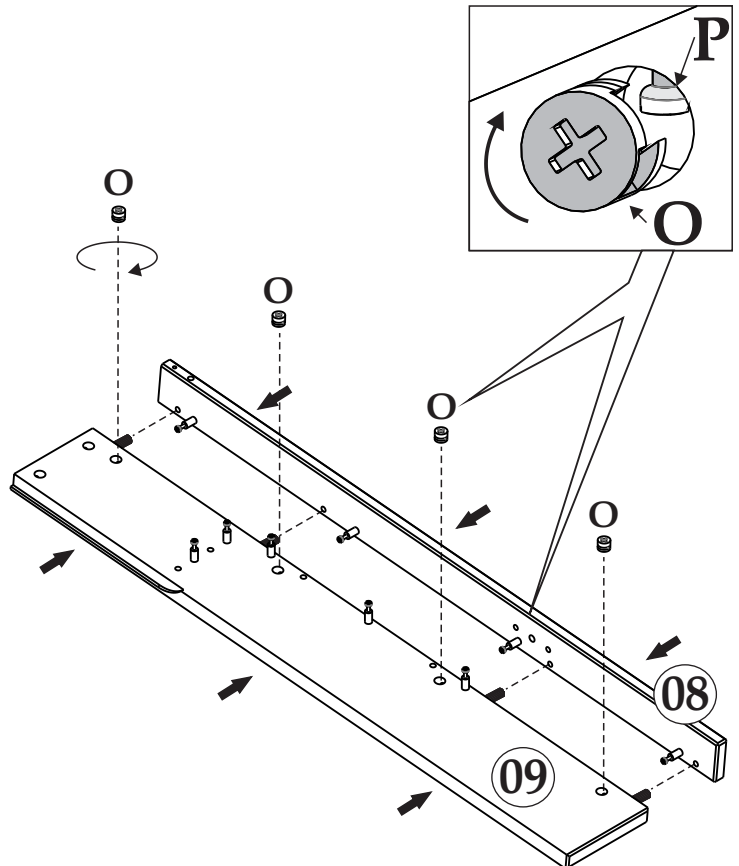
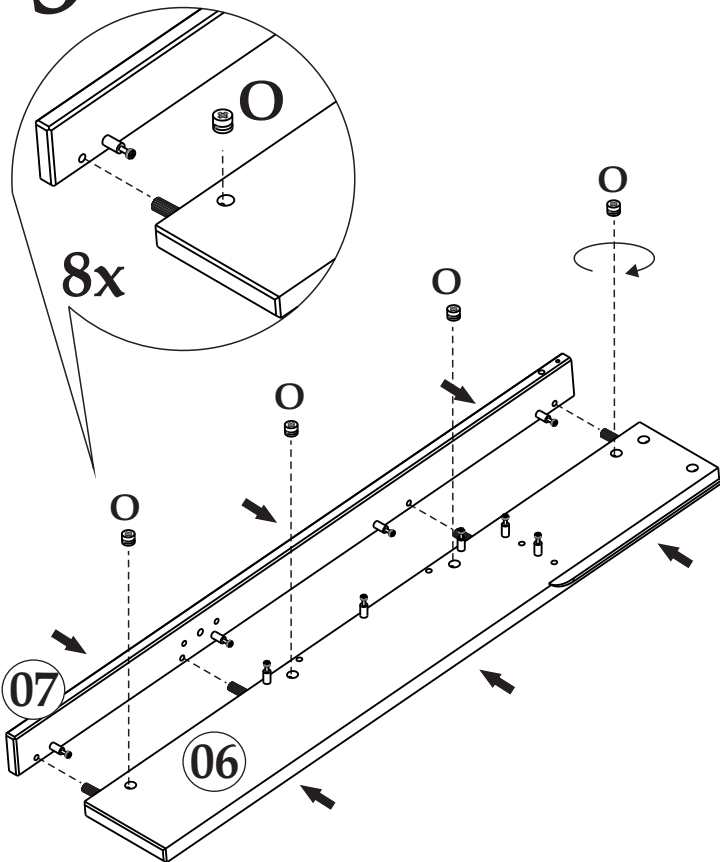
1

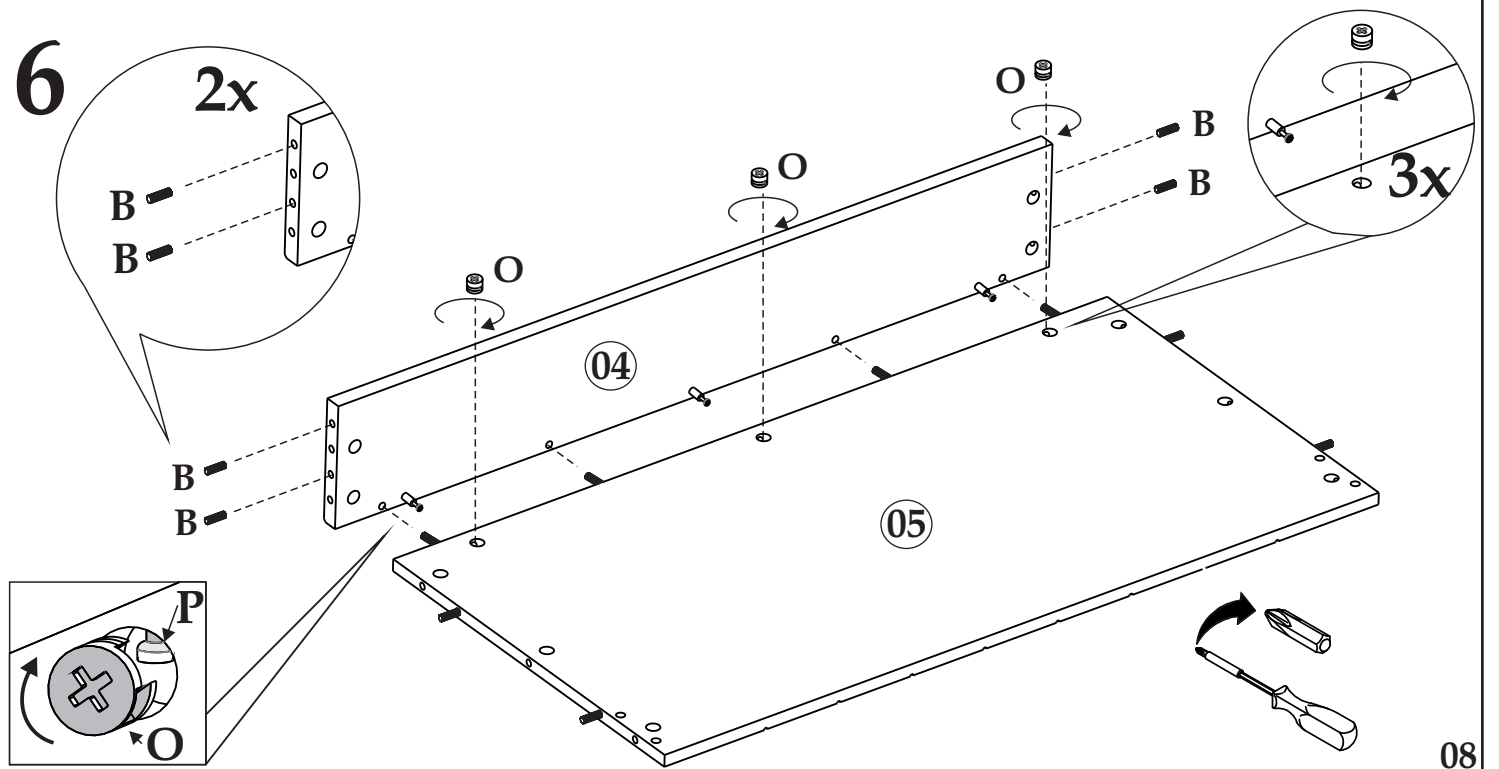
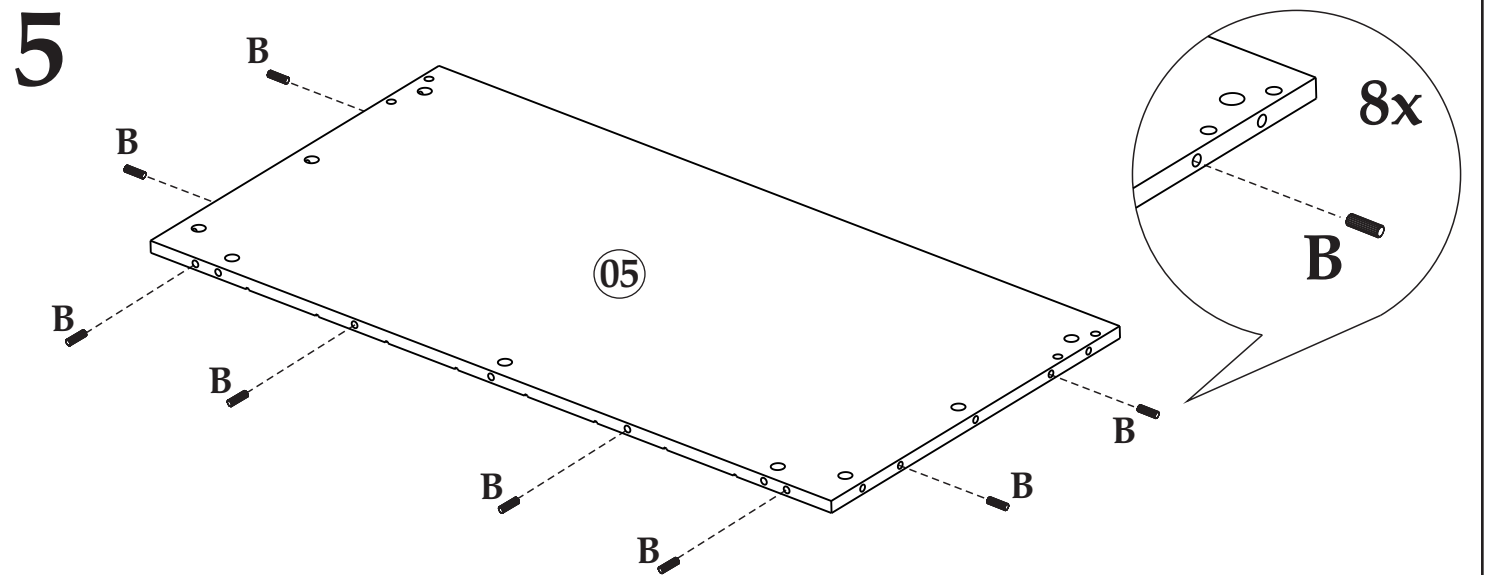
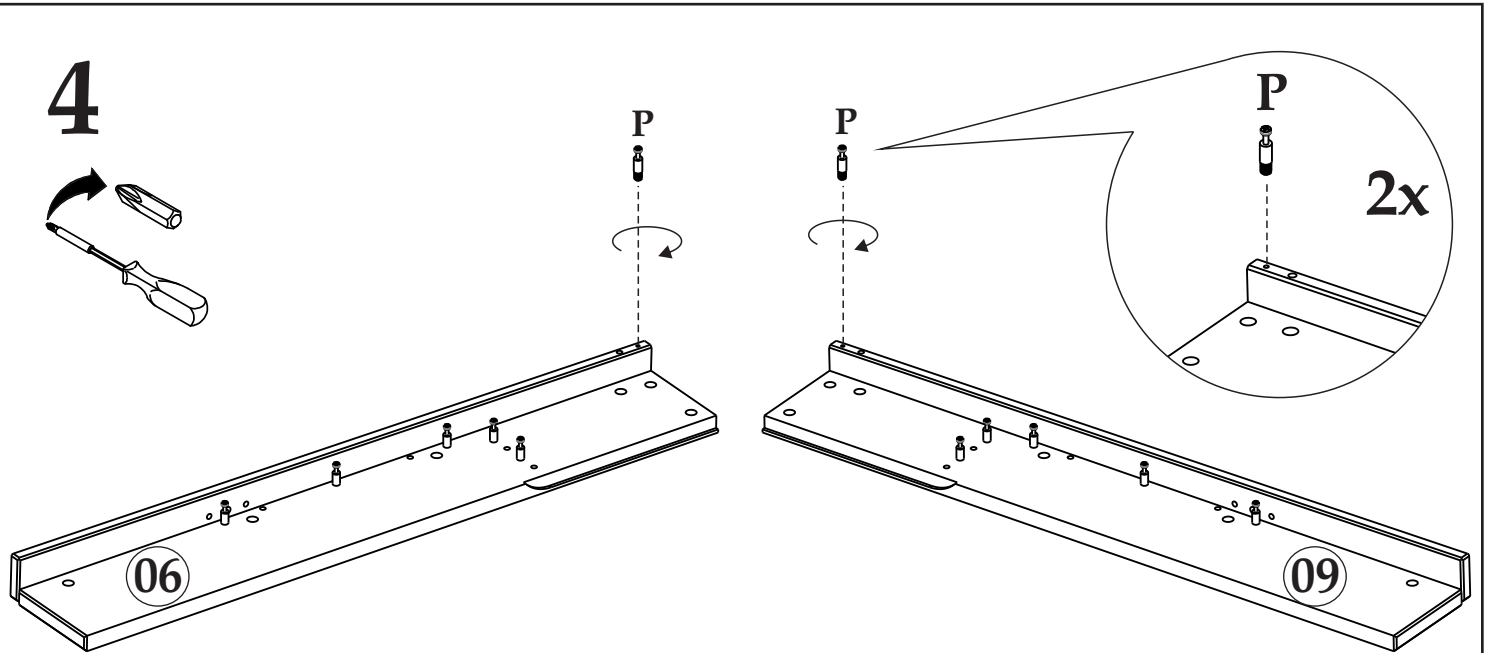


2

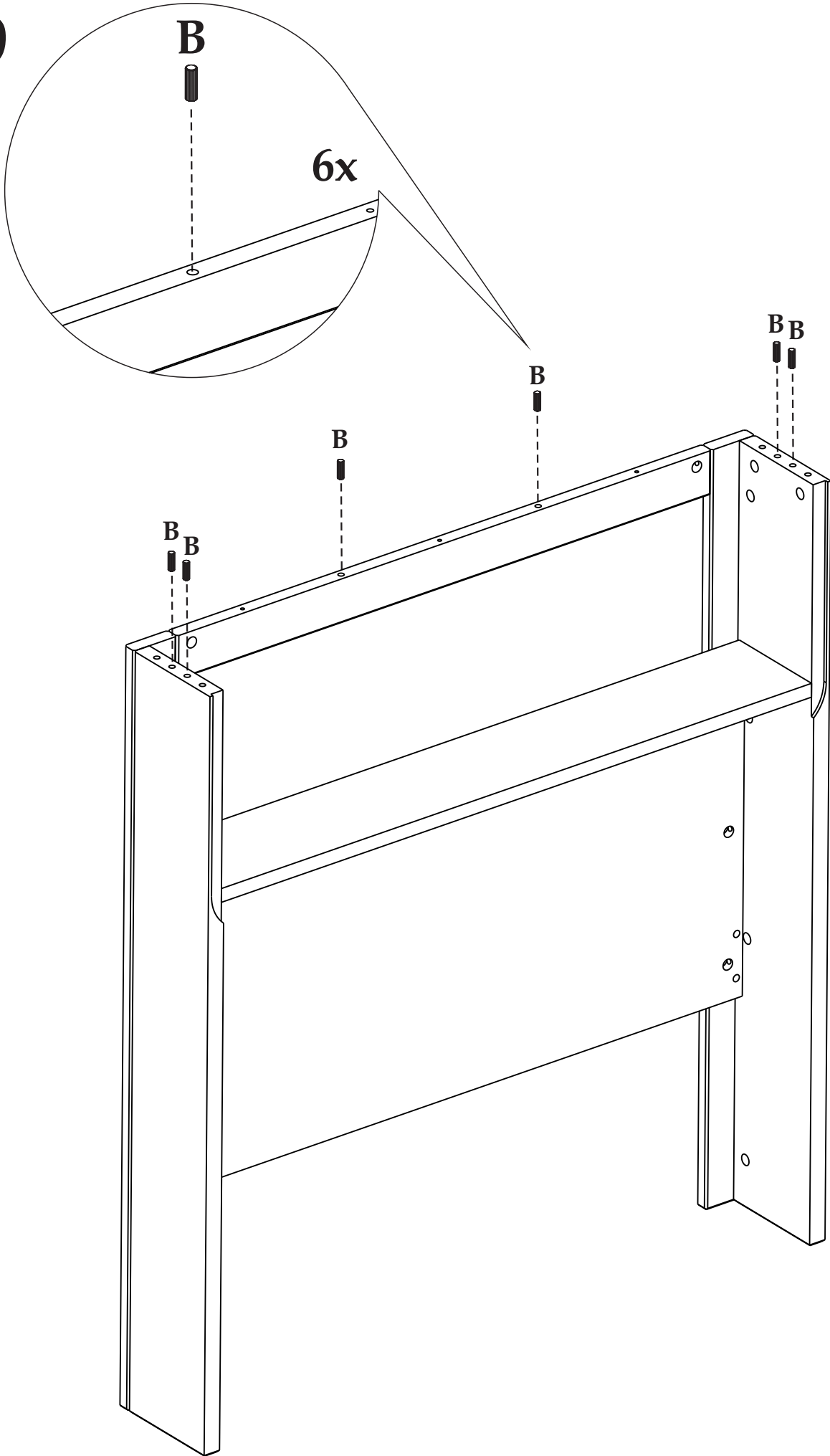


3





9



10

2x

01

C

C

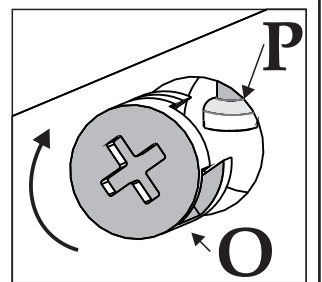
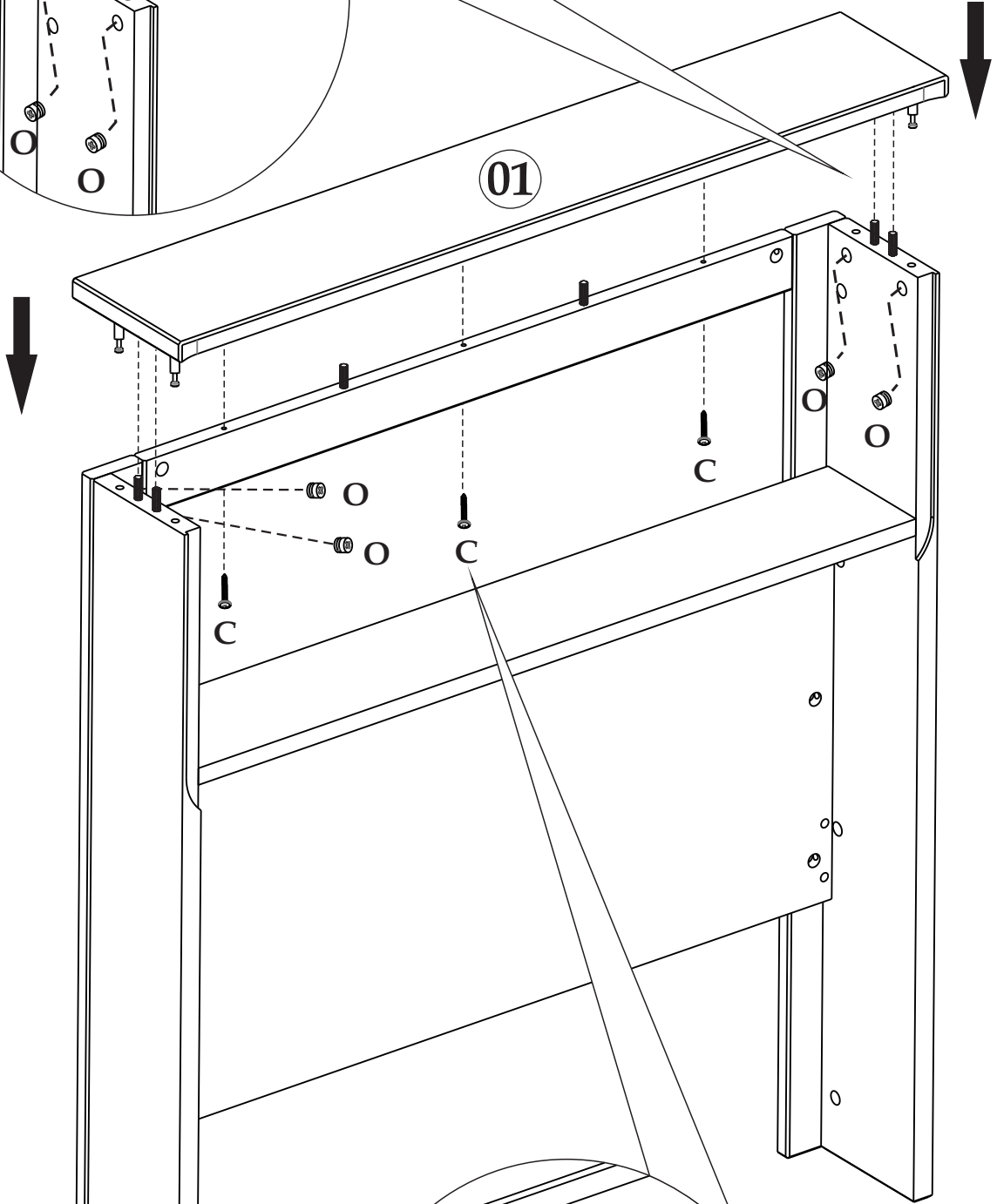
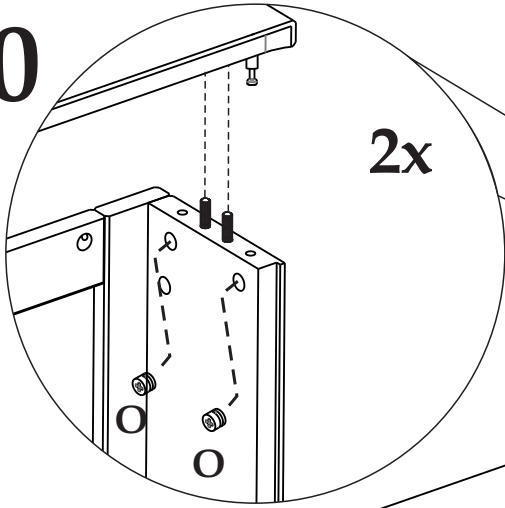
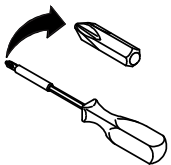
C

3x

C

P

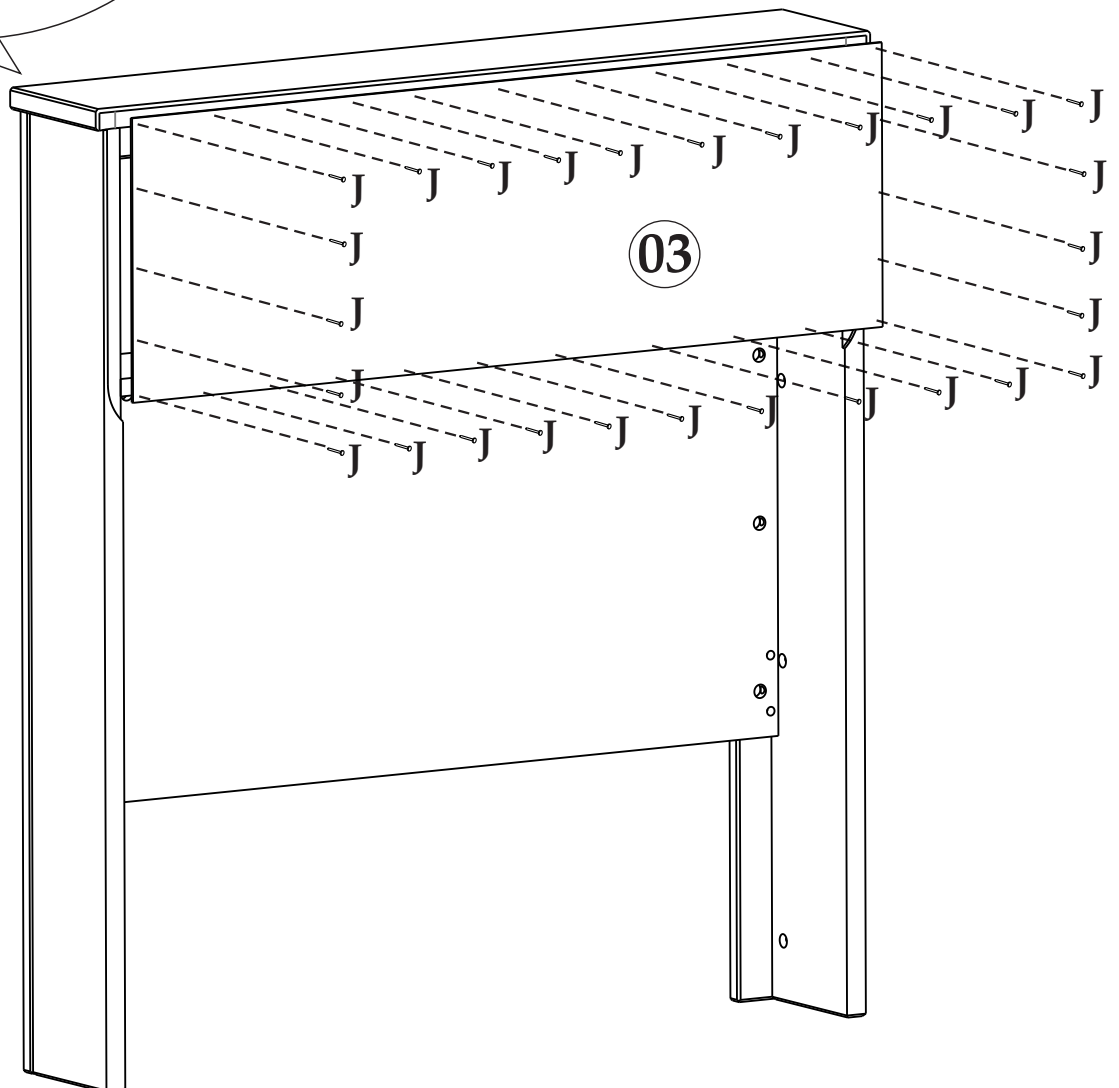
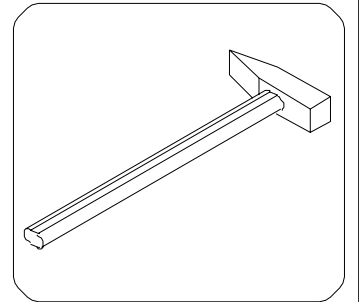
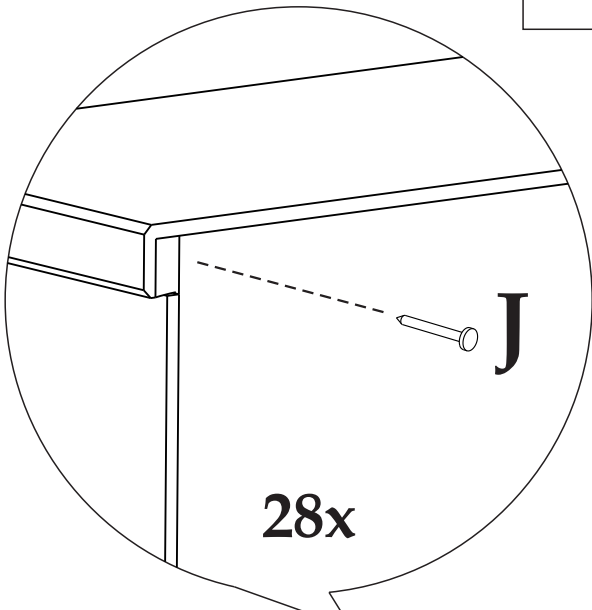
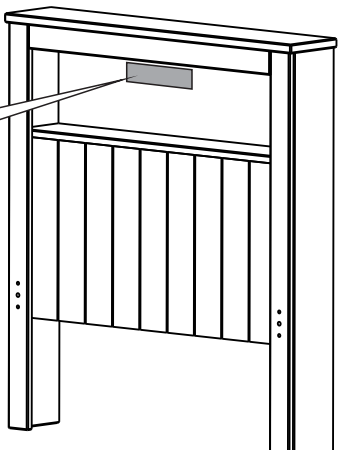
O



11

BOOKCASE BED 90cm Factory ID: Manufactured in Brazil	CERTIFICATION LABEL This childrens bed has been tested by an independent laboratory and is in compliance with BS8509:2008 + A1:2011 Standard Consumer Safety Specification For Junior Beds
--	--

WARNING: This bed is not suitable for children under 4 years



12

4x

A

10

10

A

A

A

A

13

11

E

E

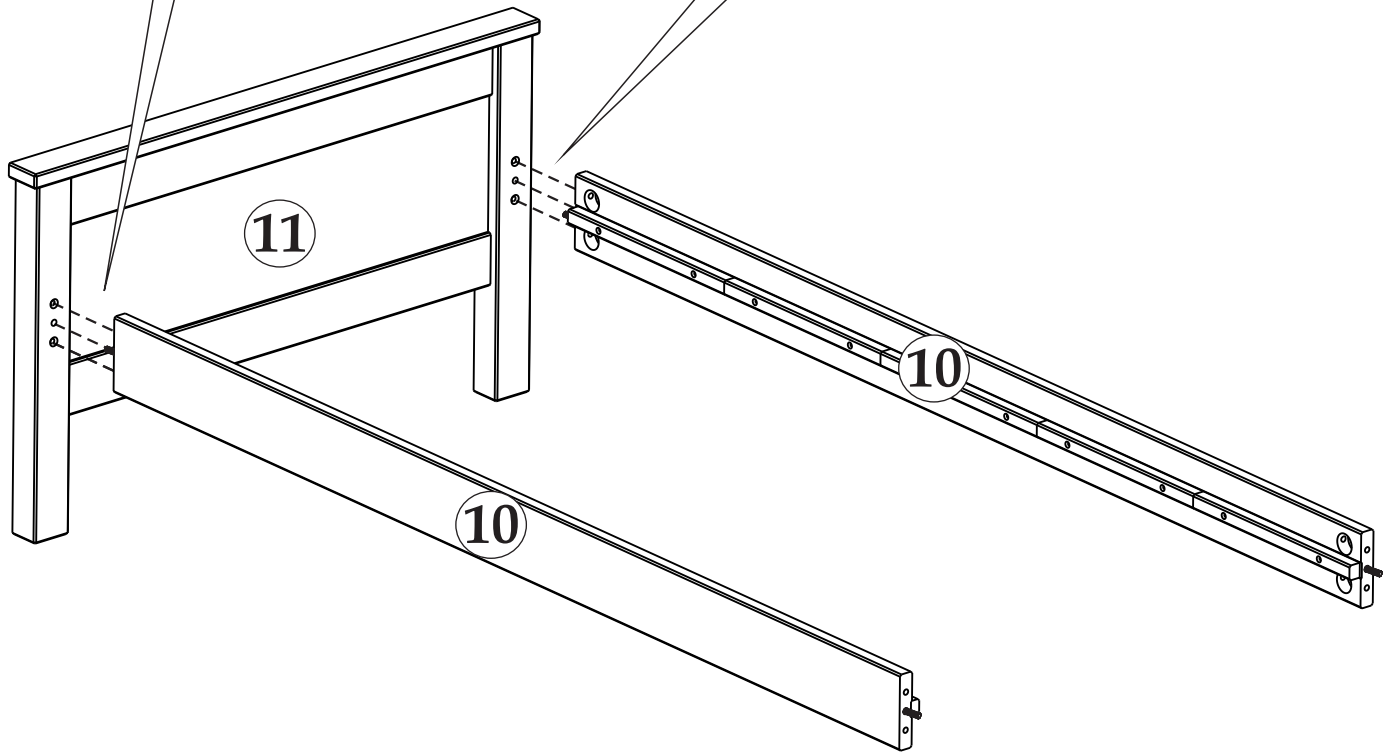
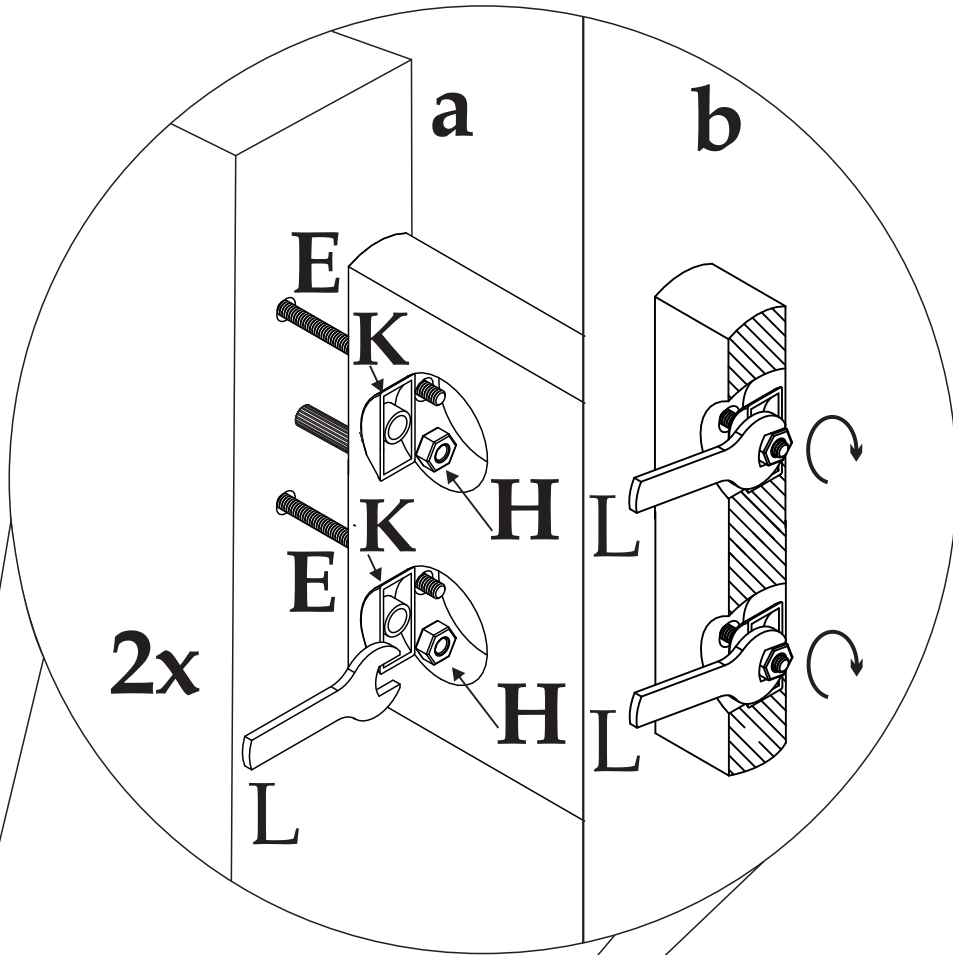
E

E

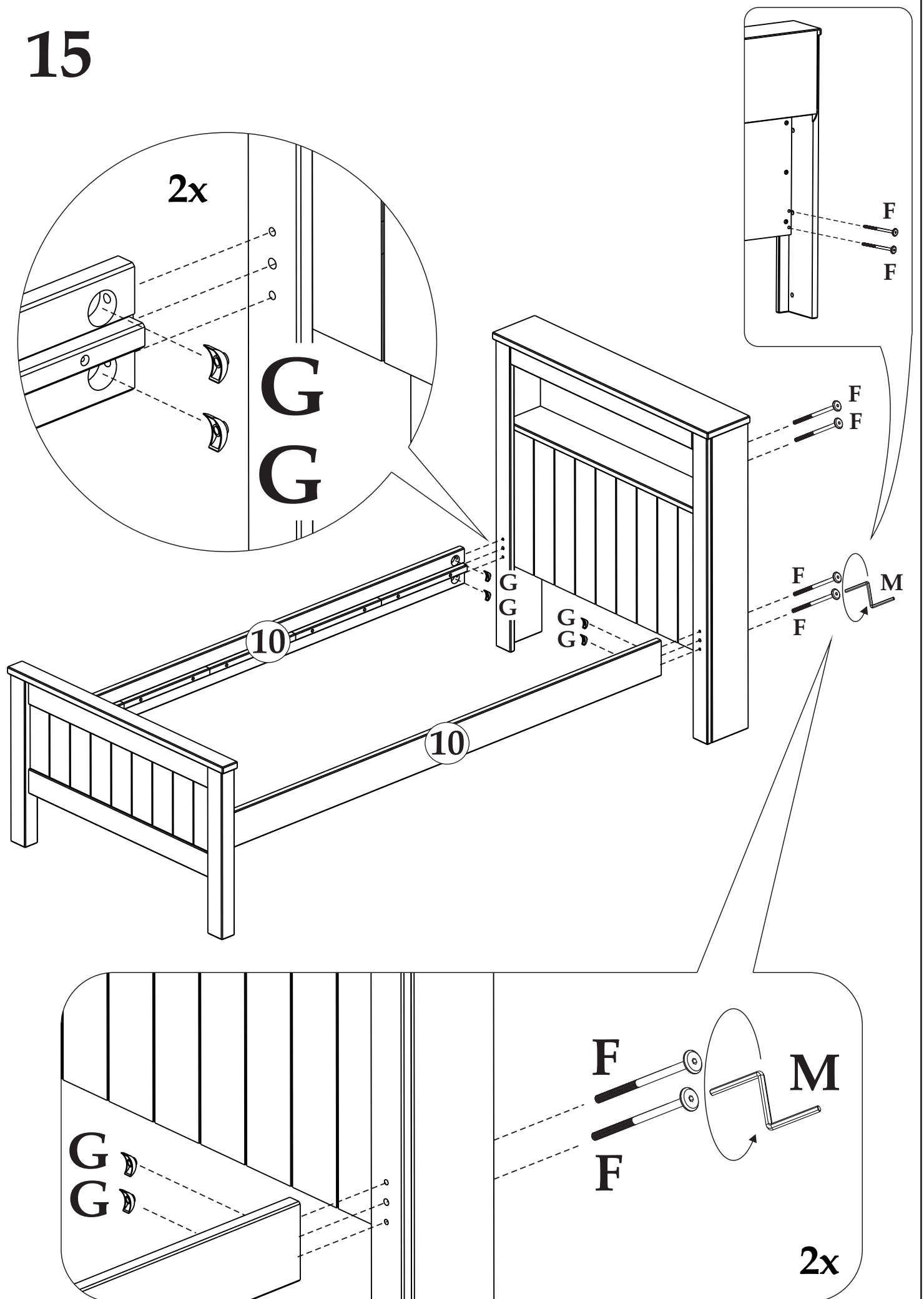
E

2x

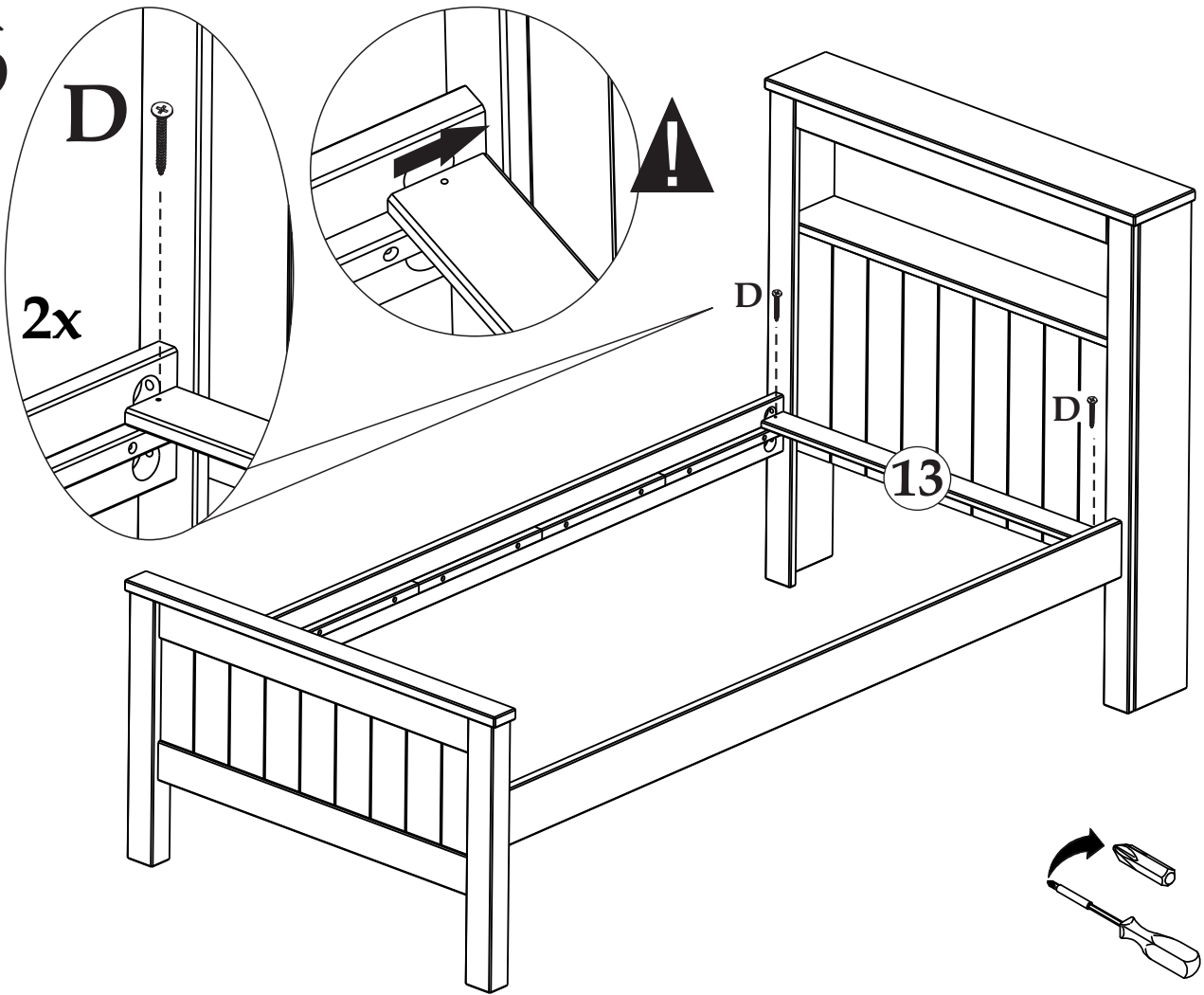
14



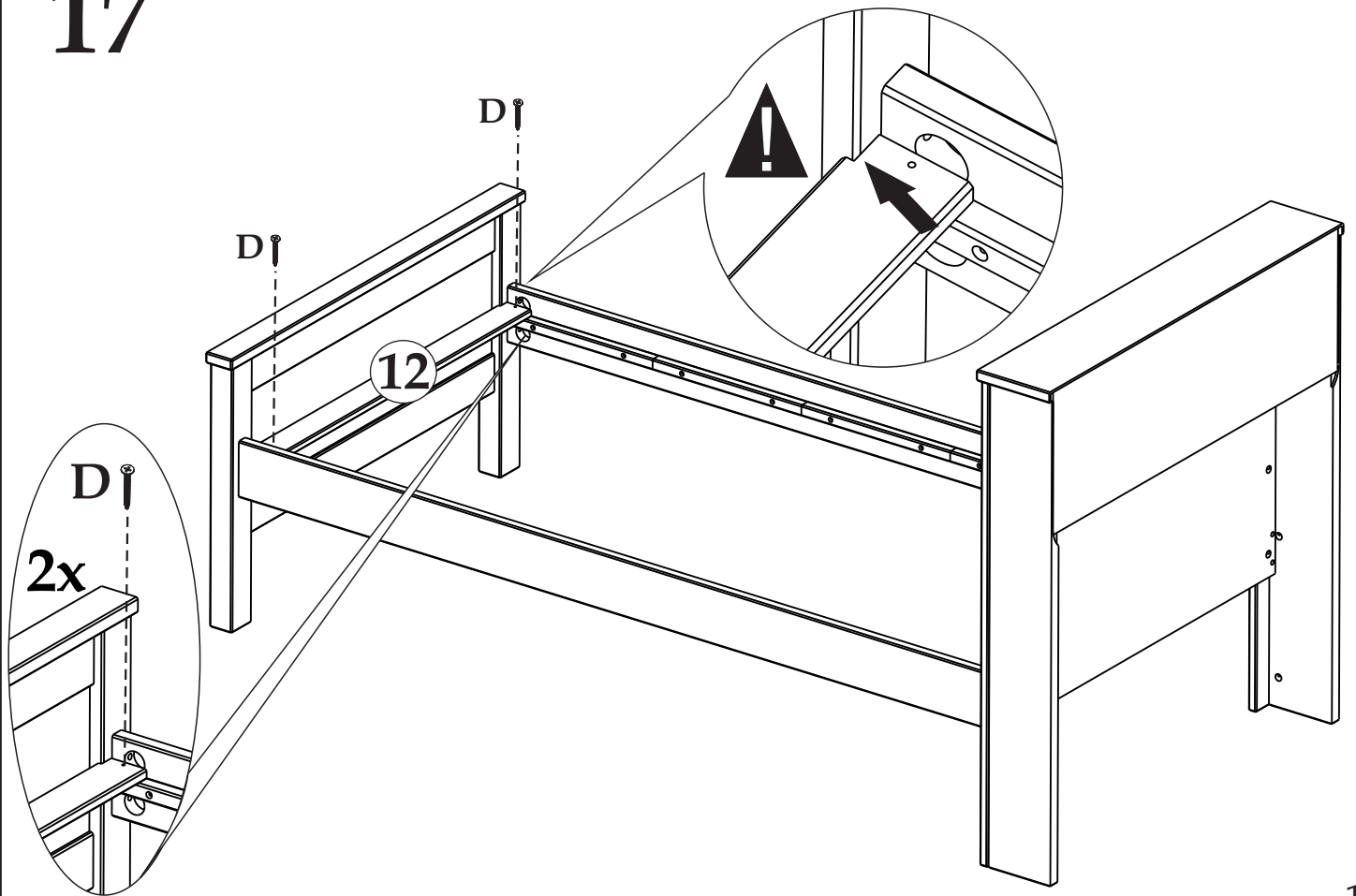
15



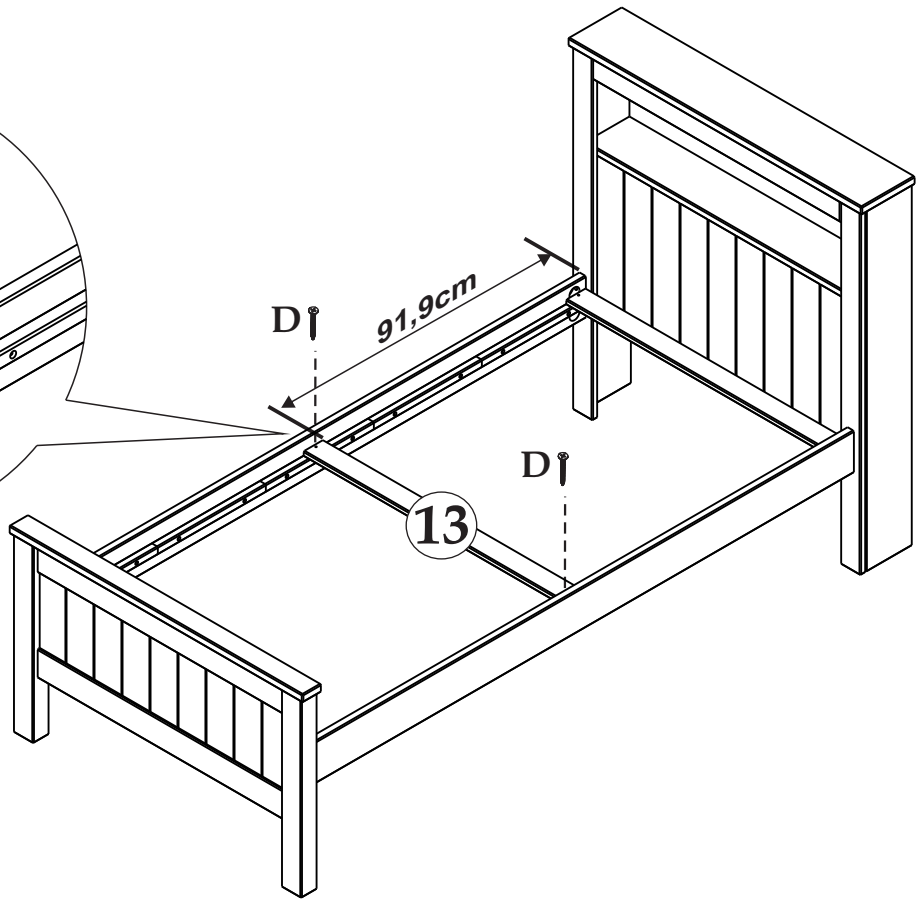
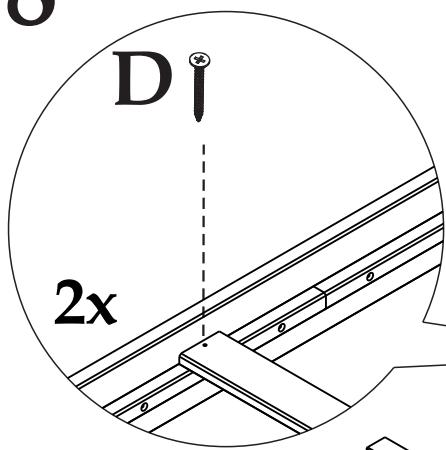
16



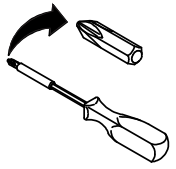
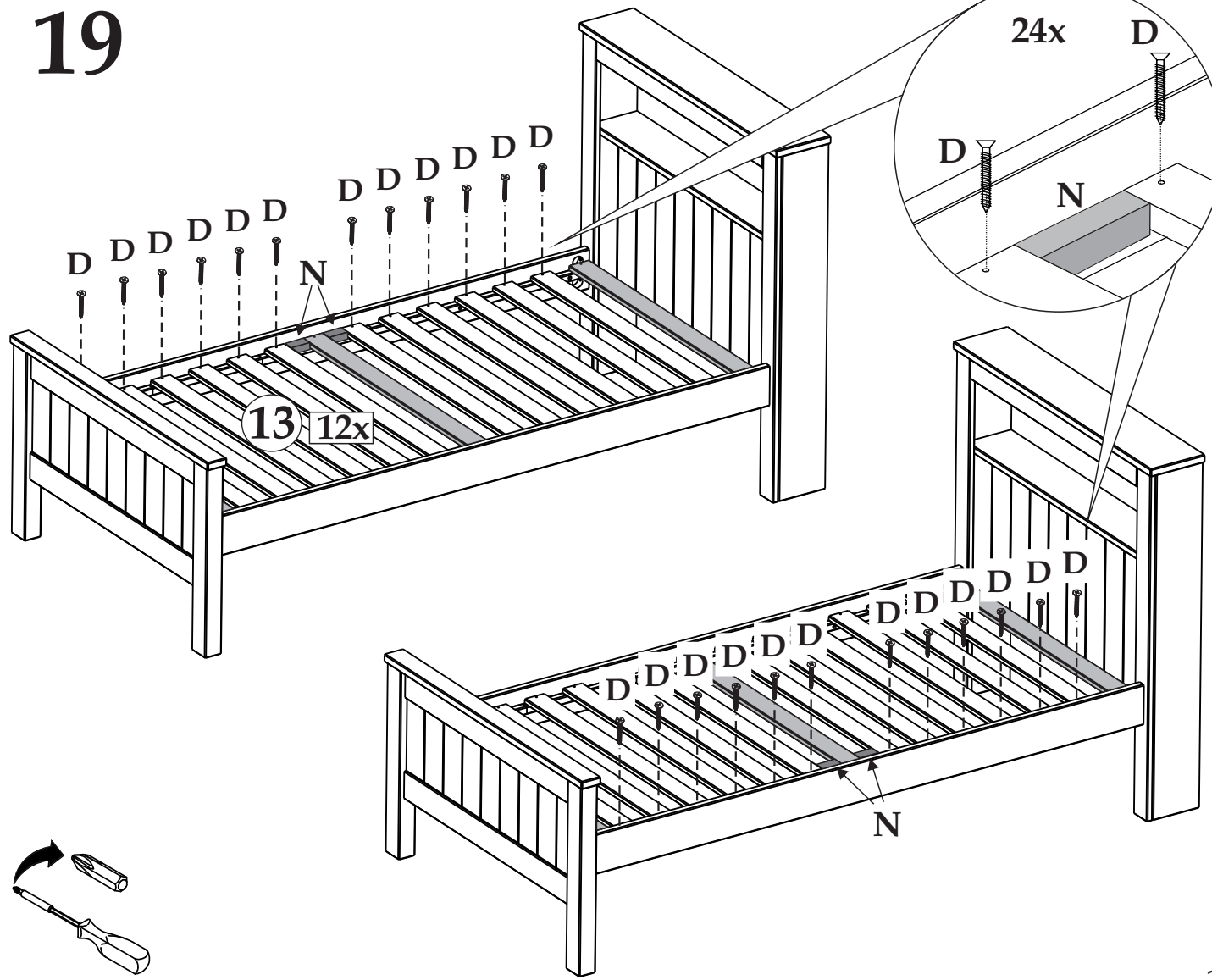
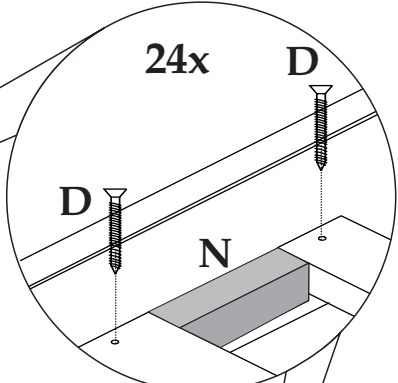
17



18



19



General Care

Wipe clean with a slightly damp soft cloth. Avoid the use of all household cleaners and abrasives. When moving your furniture, carefully lift into place. Never drag or push the pieces across the floor as this will cause damage to the joints and could result in failure to the product that will invalidate the warranty.

Recommendations

Periodical re-tightening of fixings.

Warning

This unit is heavy. Please use an assistant when lifting.

Notes

We've tried to make this piece of furniture as easy to assemble as possible.

In the unlikely event that you have problems putting it together or have damaged or missing pieces, please contact our customer services.