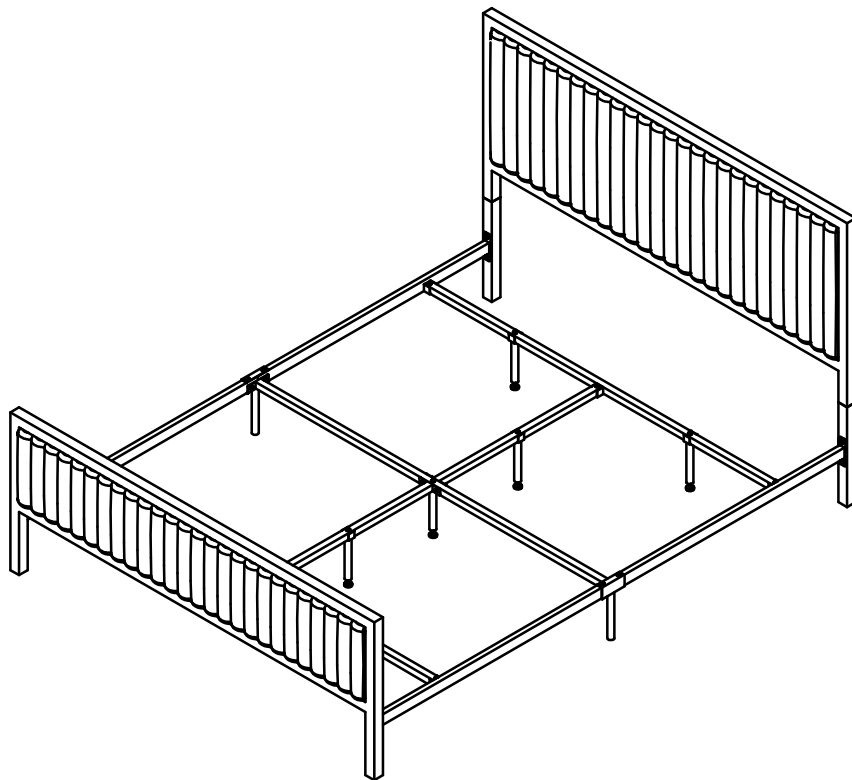


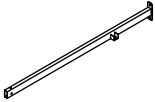

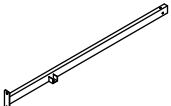





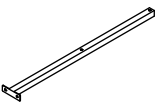










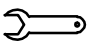
ASSEMBLY INSTRUCTION



Remarks: Two adults are required to assemble this bed
Please read the assembly instruction below carefully before
assembly and make sure you have the parts & hardware as
identified on the parts list.

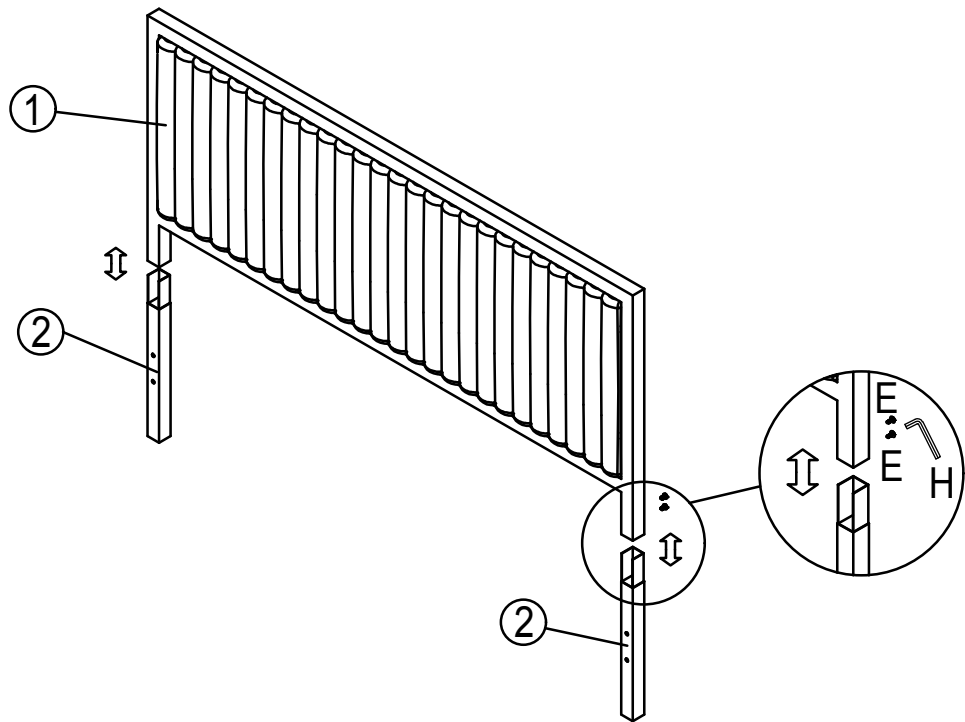
Parts List

Ref		Parts Description	Qty
①		Headboard	1PC
②		Short Leg	2PCS
③		Side Rail	2PCS
④		Side Leg	2PCS
⑤		Side Rail	2PCS
⑥		Footboard	1PC
⑦		Cross bar	2PCS
⑧		Support Leg	6PCS
⑨		Centre Leg	1PC
⑩		Cross bar	1PC
⑪		Centre bar	2PCS

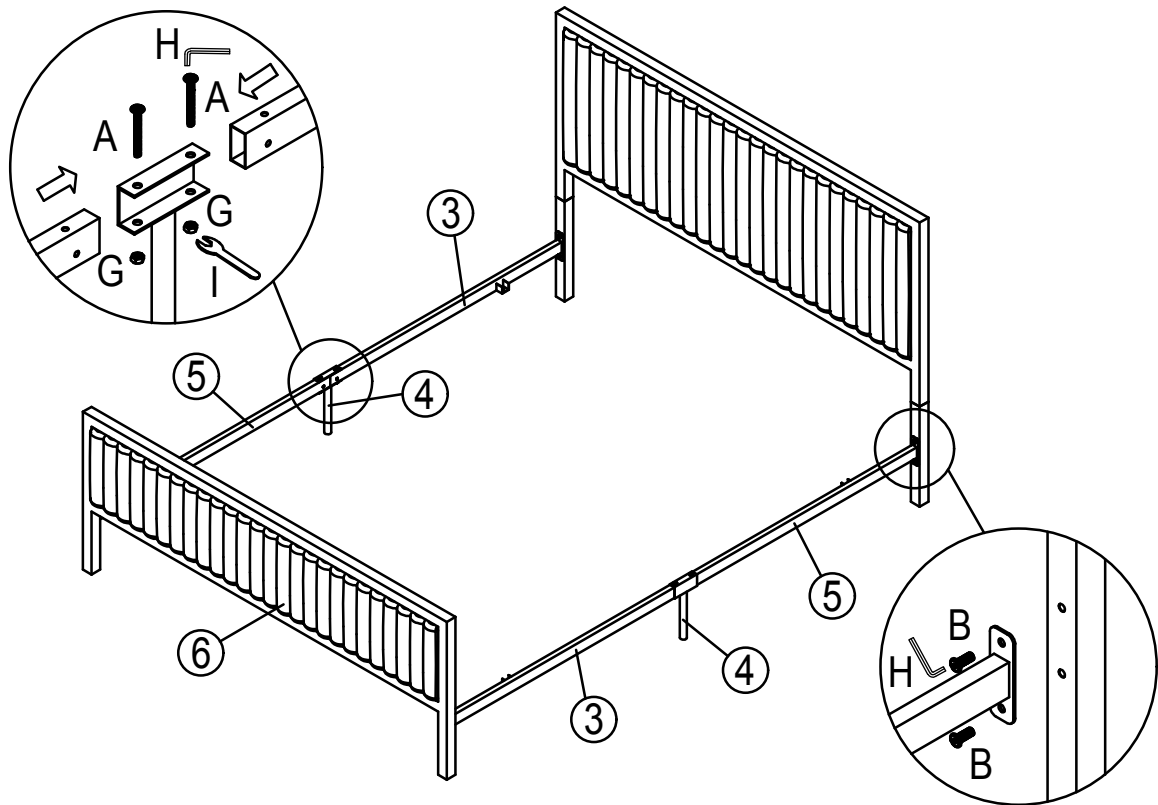
A  M6*50MM 4PCS	B  M8*20MM 8PCS	C  M6*40MM 2PCS	D  M6*35MM 13PCS	E  M6*16MM 4PCS	F  M6*10MM 4PCS
G  M6 12PCS	H  M4 1PC	I  M6 1PC	Page 2 of 5		

STEP 1

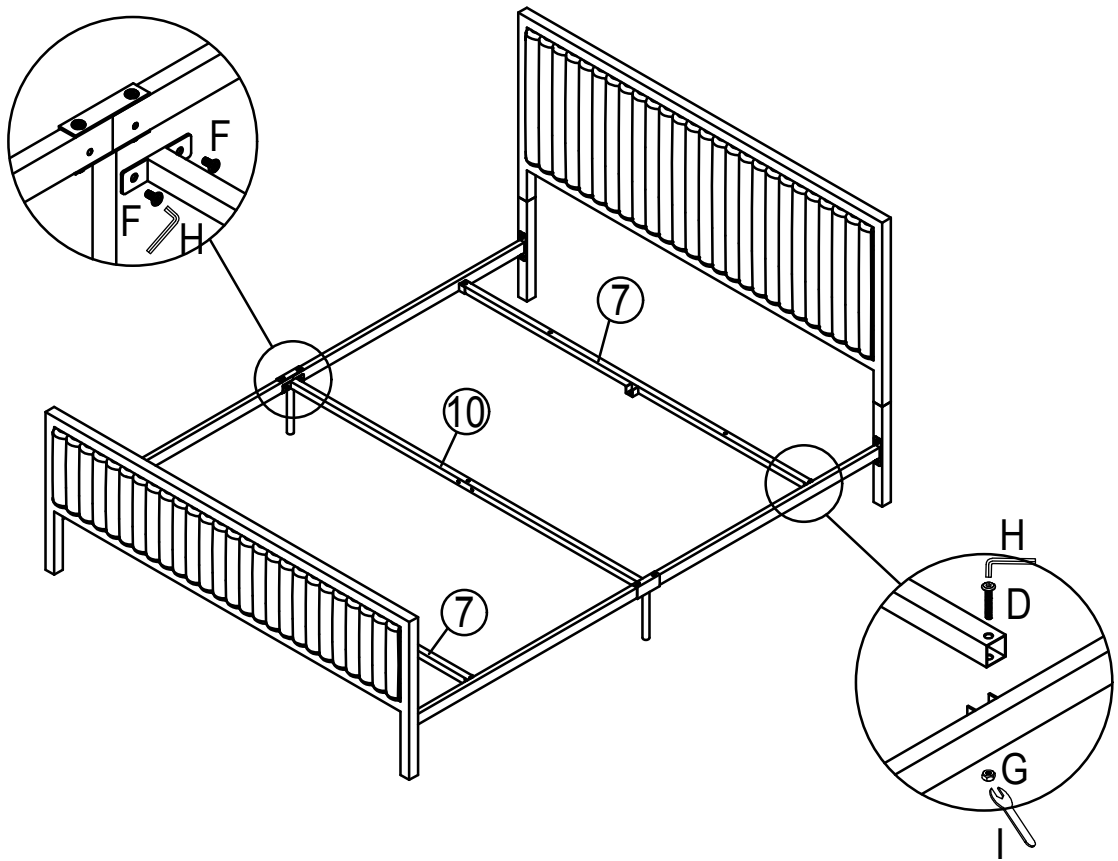
Note: Do not tighten bolts until STEP 5.



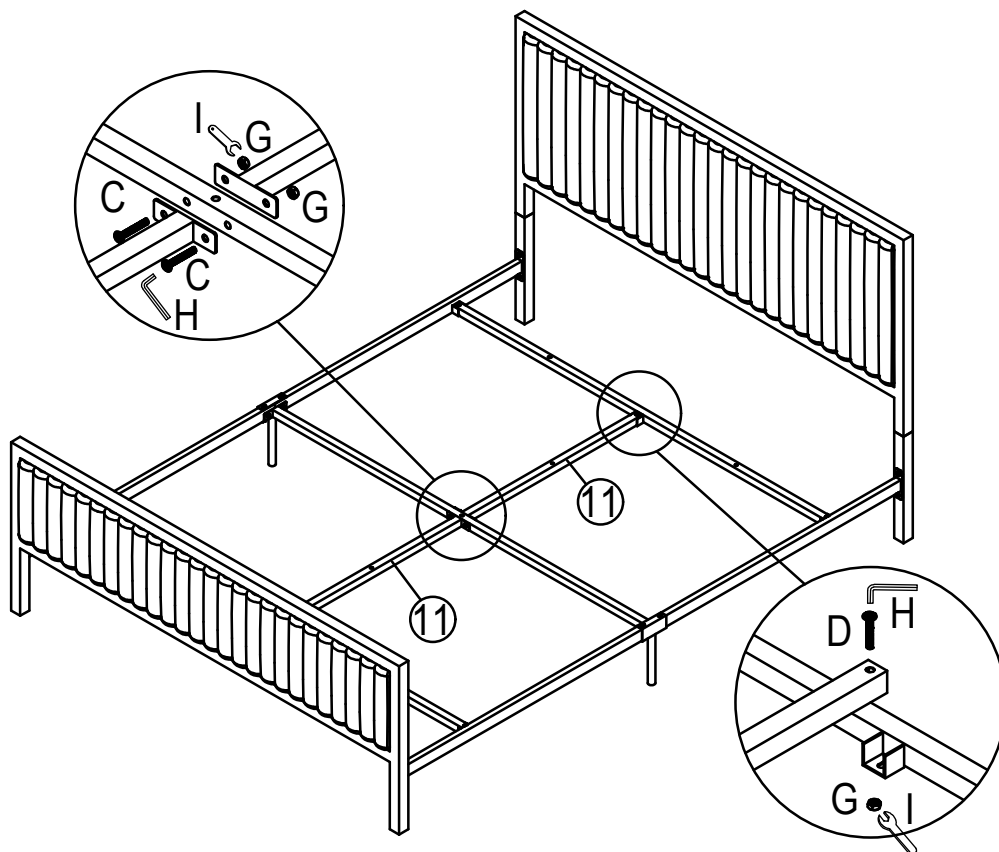
STEP 2



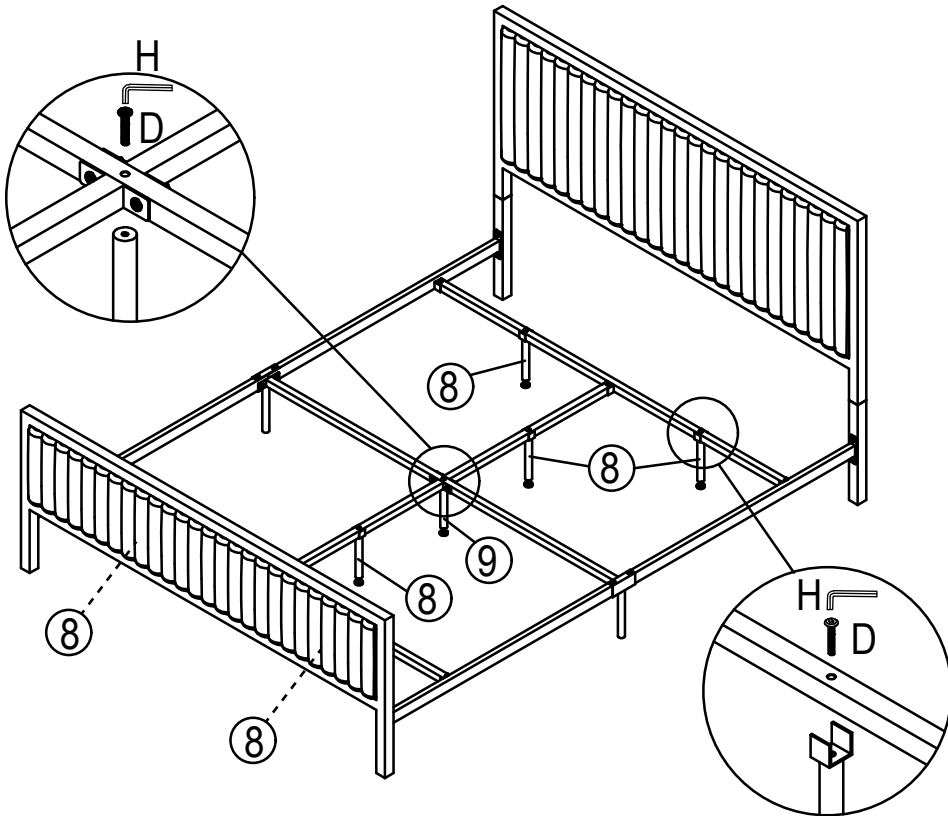
STEP 3



STEP 4



STEP5



Now tighten all bolts. You are done, enjoy!

STEP6

