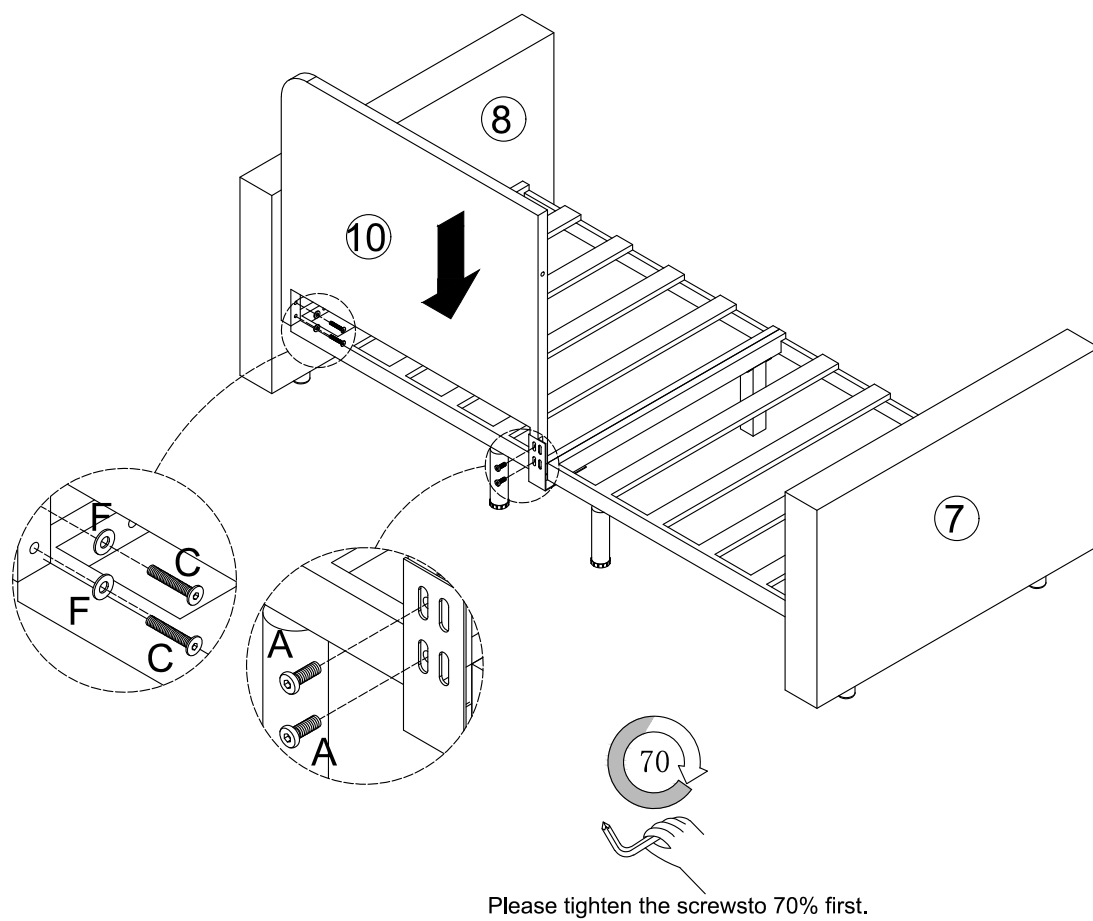



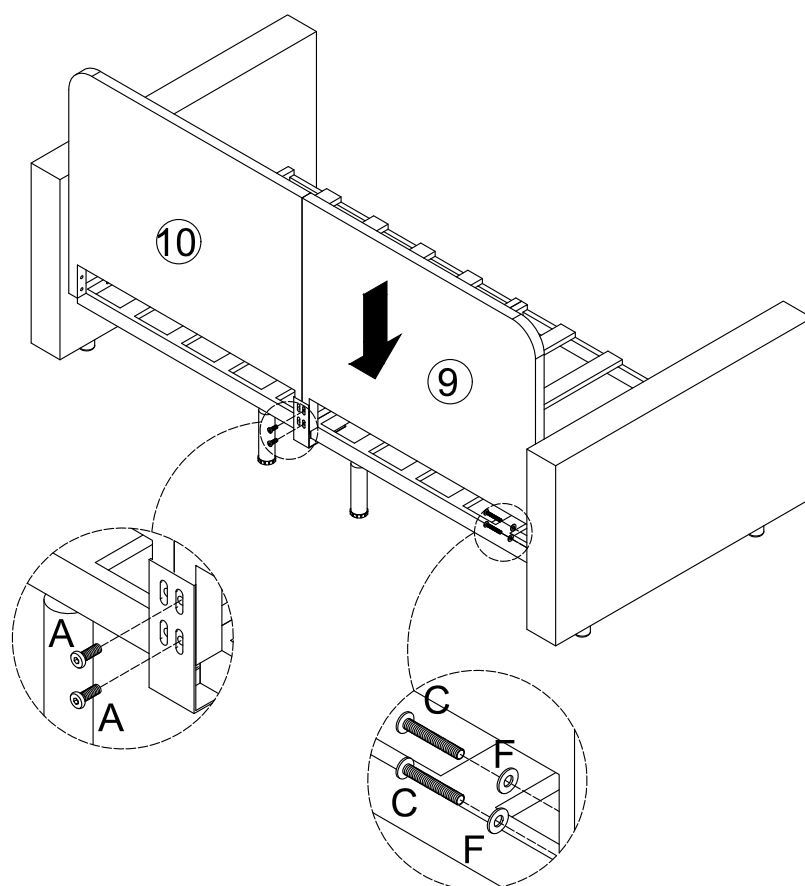


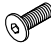


## Step 7



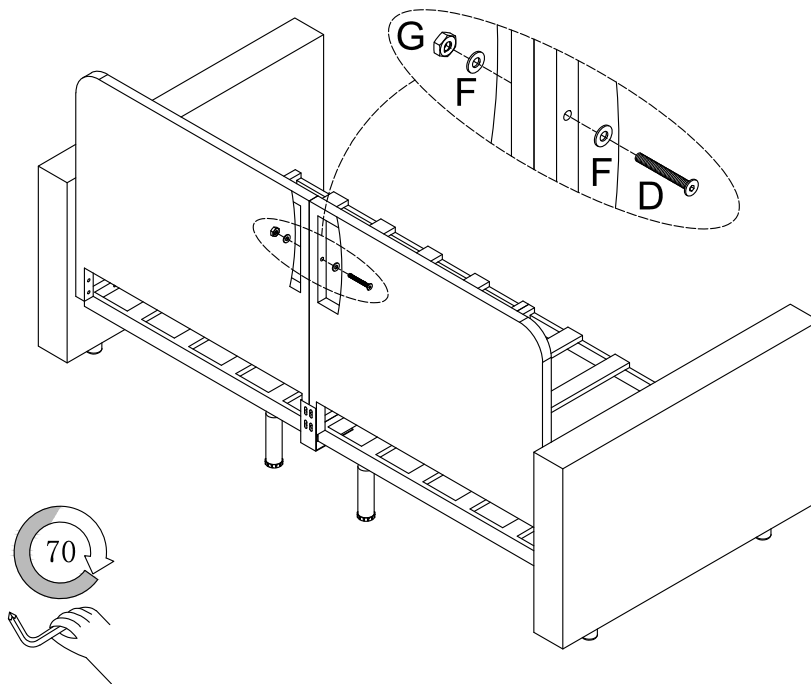
A M8×20		×2
C M8×50		×2
F		×2

## Step 8

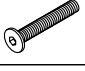




A M8×20		×2
C M8×50		×2
F		×2

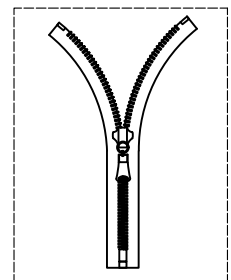
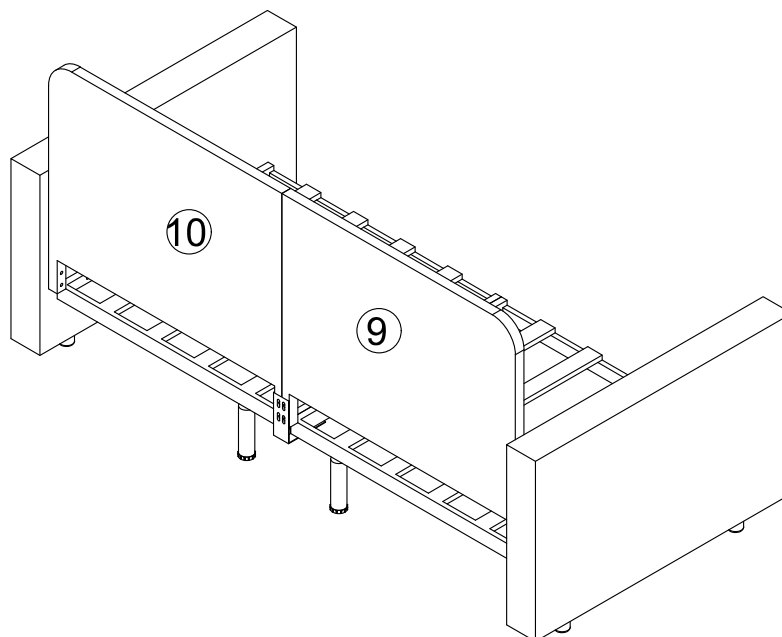
## Step 9



Please tighten the screws to 70% first.

D M8×80		x1
F		x2
G		x1

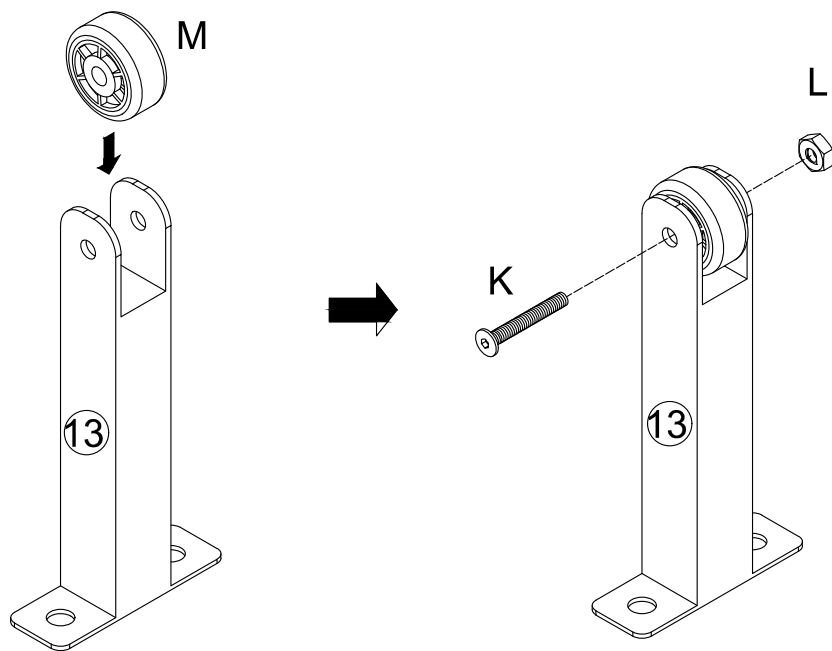
## Step 10






Tighten the screws here.

Note: Adjust the flatness of No. 9 and No. 10 properly, then tighten the screws and finally attach the shielding curtain.

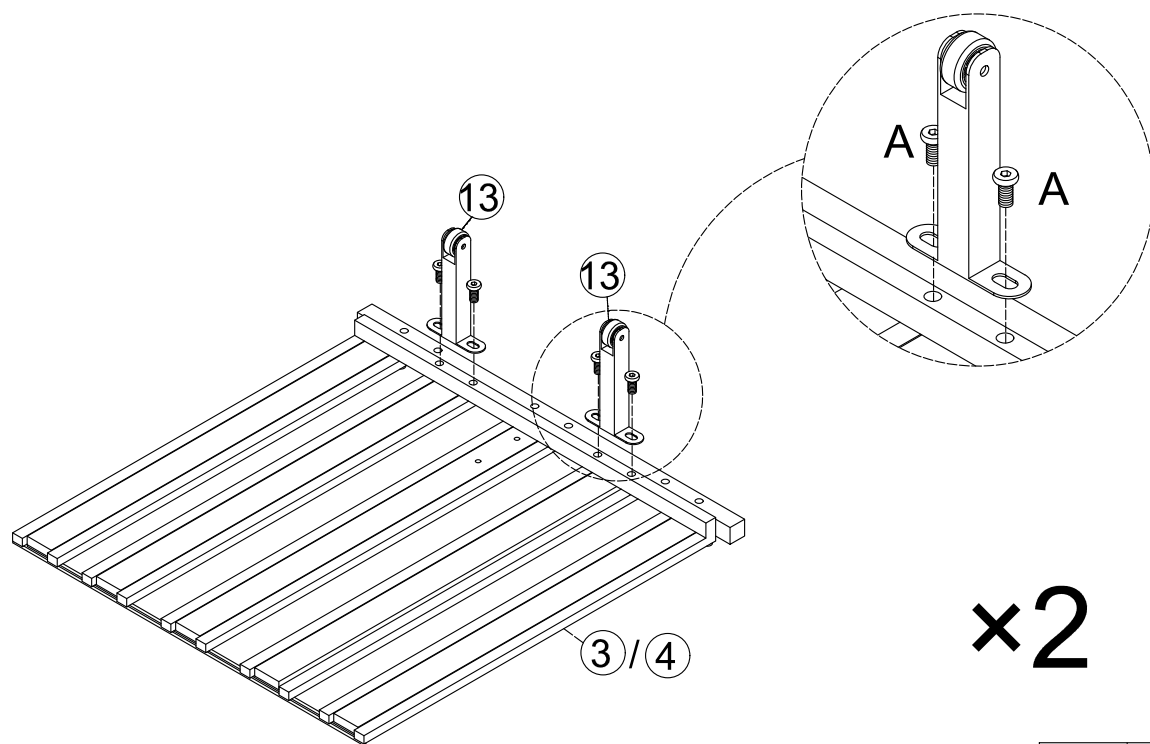
# Step 11




**x4**

K M6x35	 x4
L M6	 x4
M	 x4

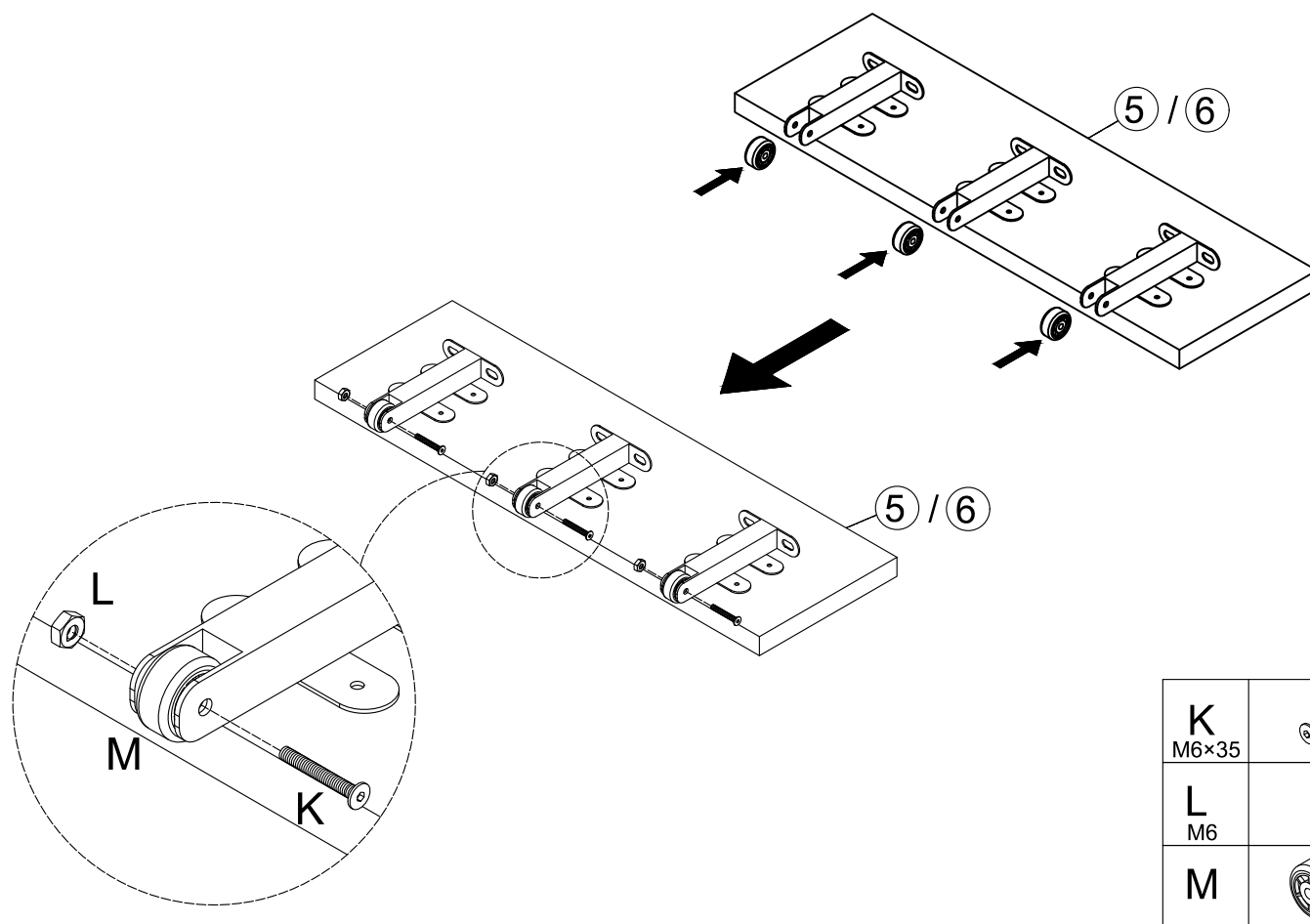
# Step 12

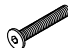




**x2**

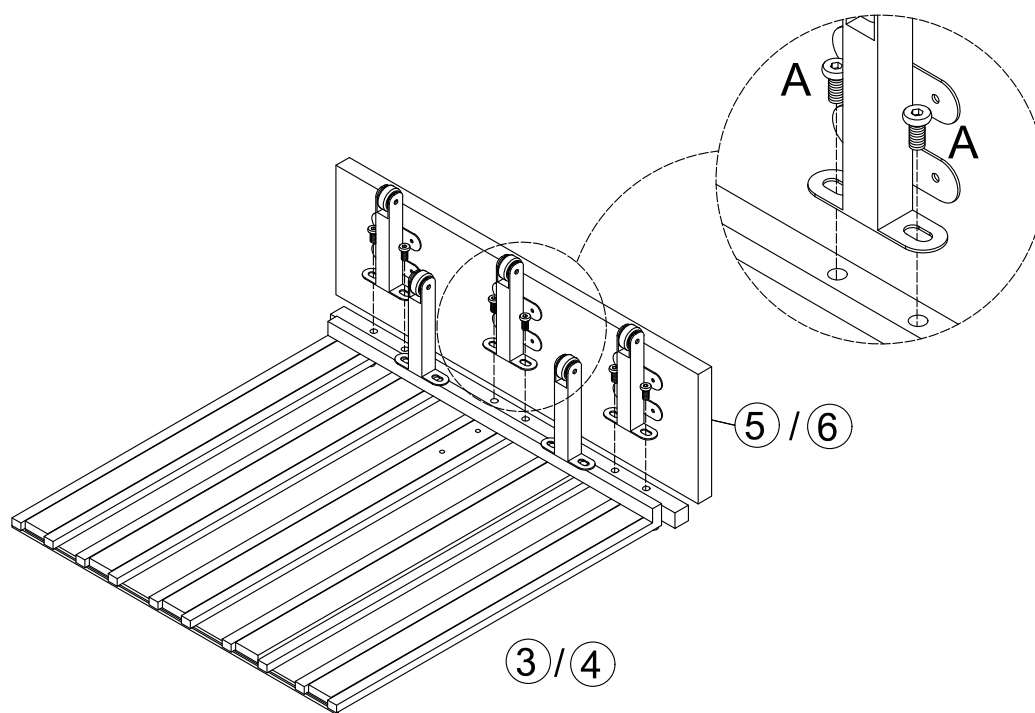
A M8x20	 x8
------------	--


# Step 13



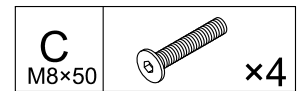
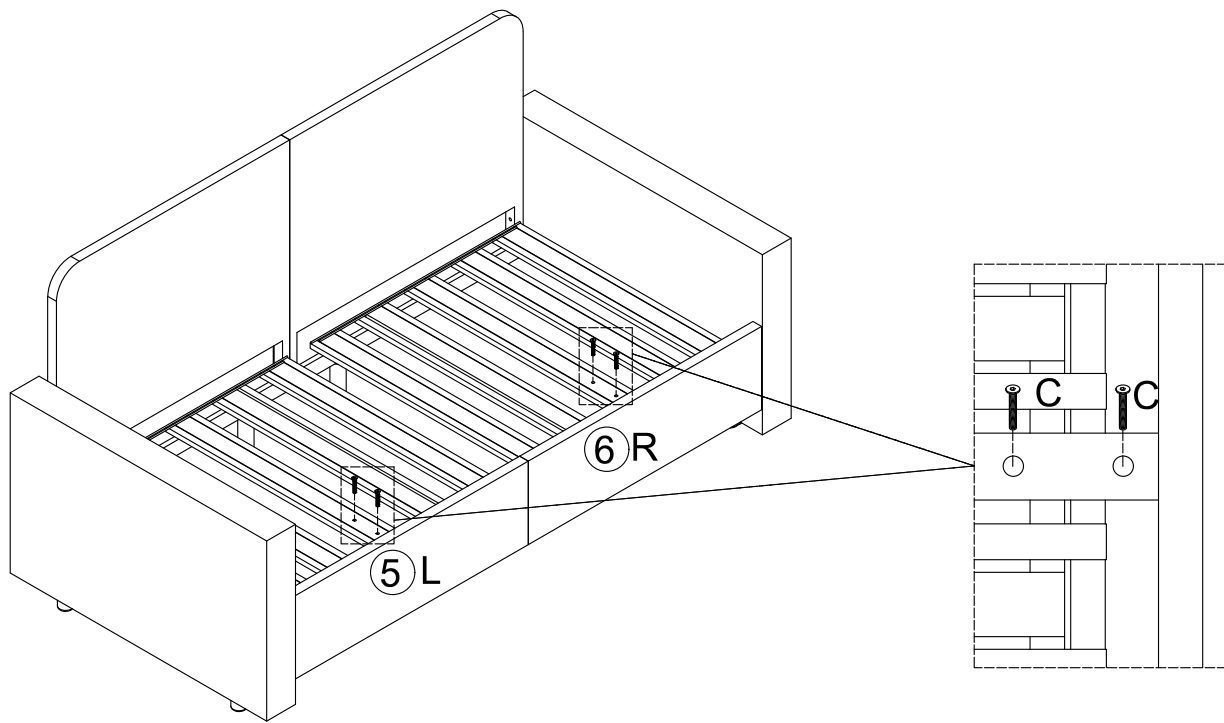
<b>K</b> M6×35		×6
<b>L</b> M6		×6
<b>M</b>		×6

# Step 14

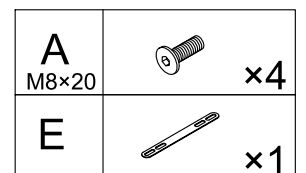
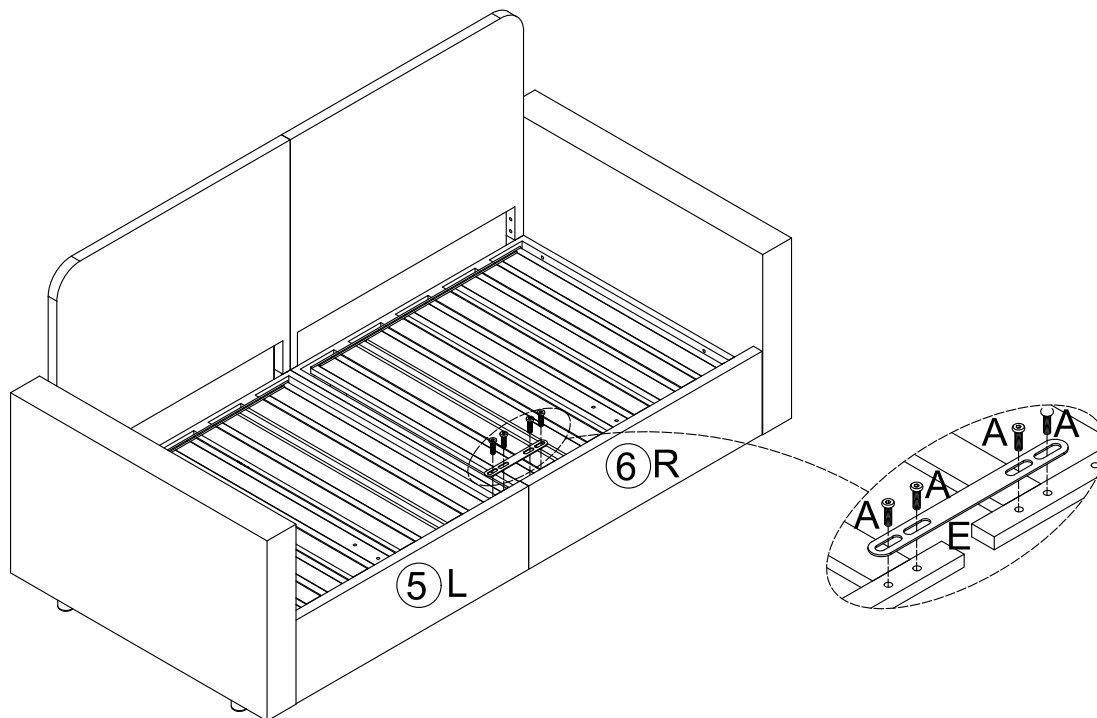


<b>A</b> M8×20		×12
-------------------	---	-----

## Step 15

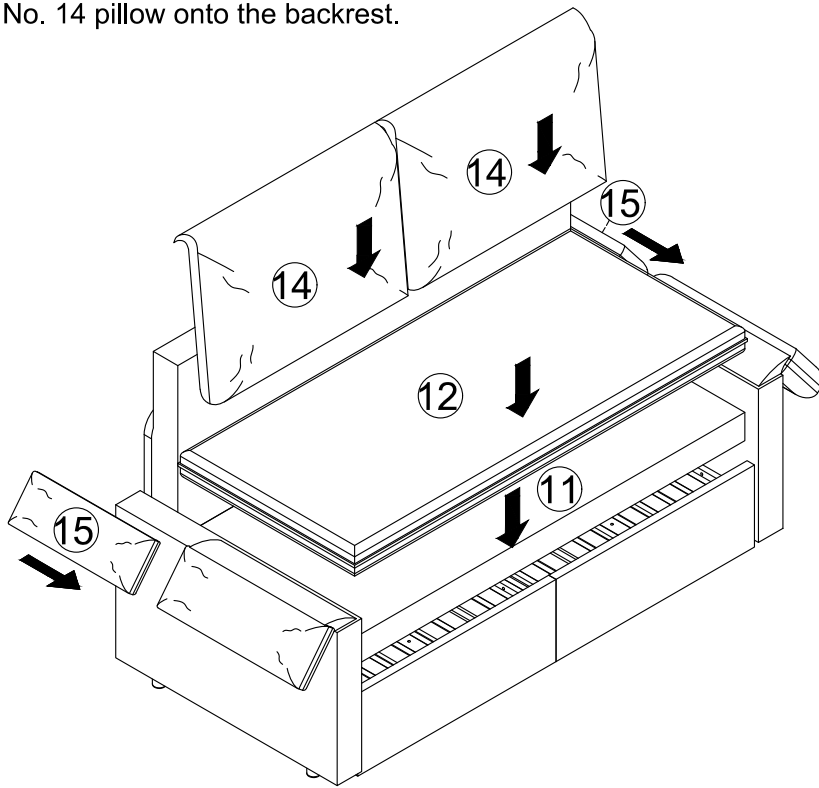


## Step 16



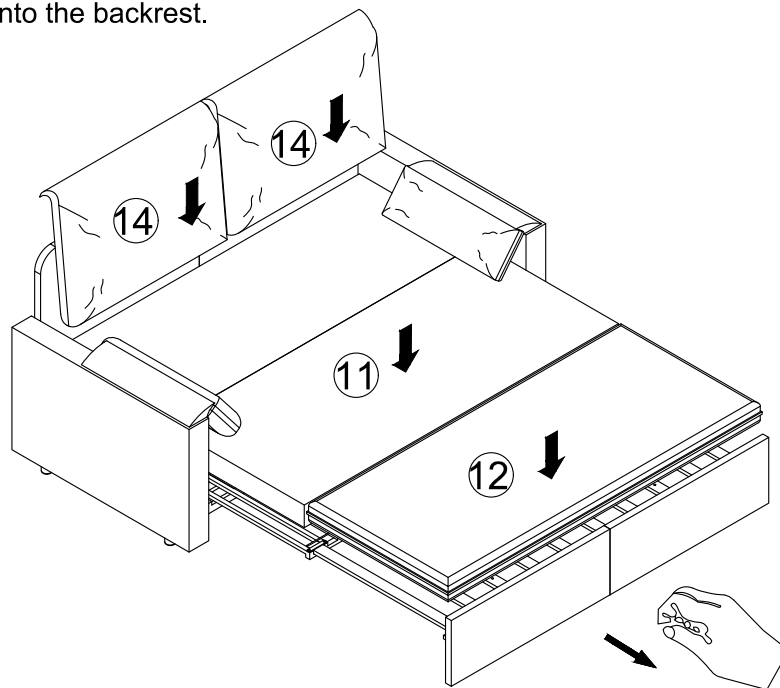
## Step 17

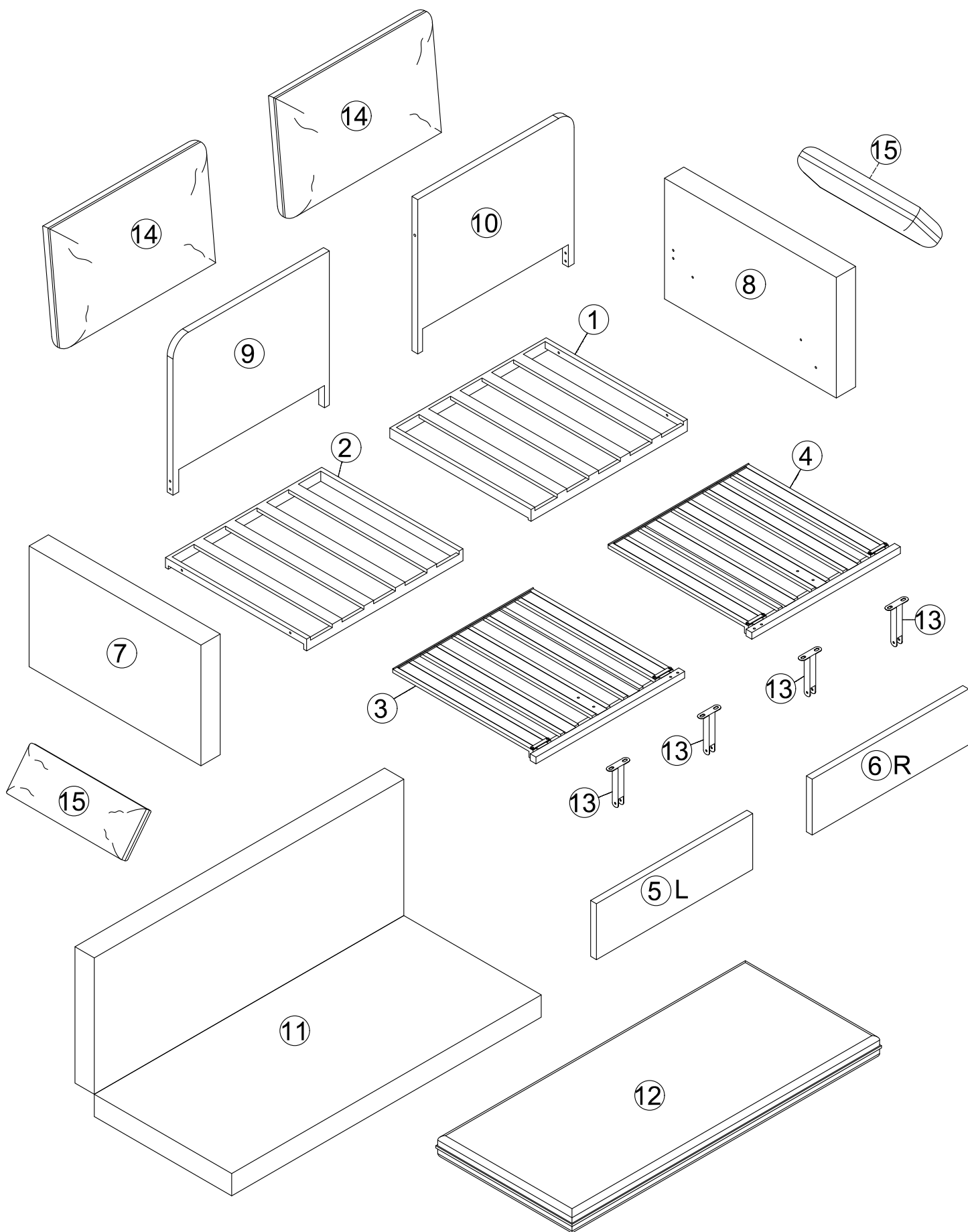
Stick the No. 14 pillow onto the backrest.



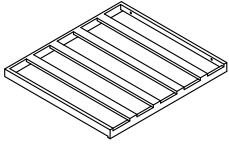
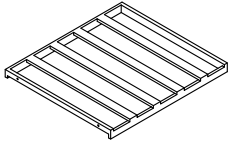
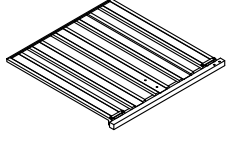
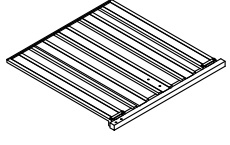
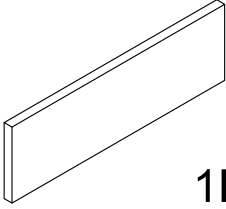
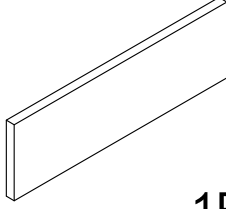
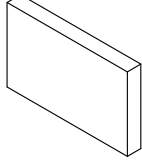
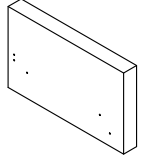
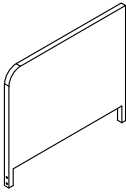
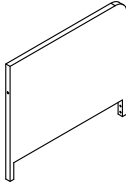
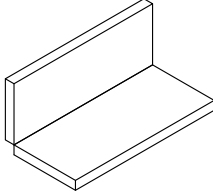
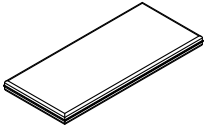
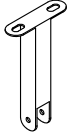
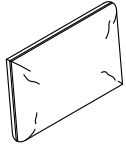
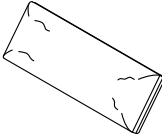
## Step 18

Stick the No. 14 pillow onto the backrest.

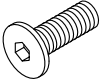
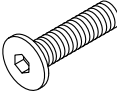
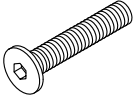
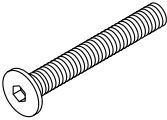
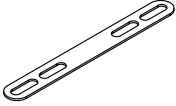
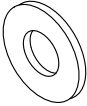
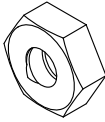

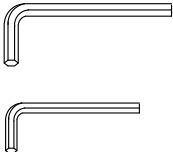
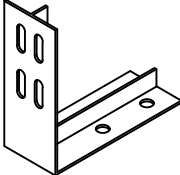
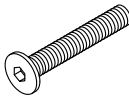
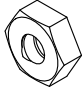
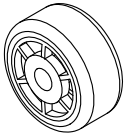
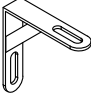

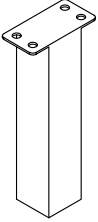
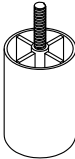




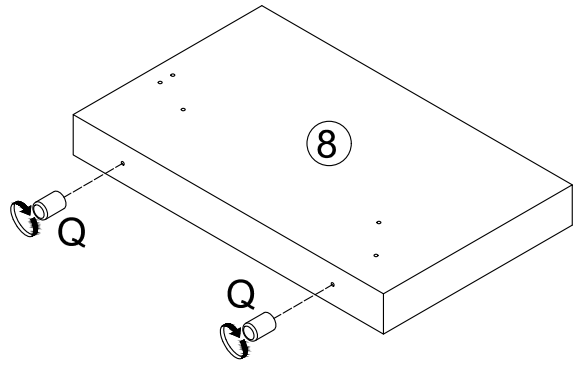
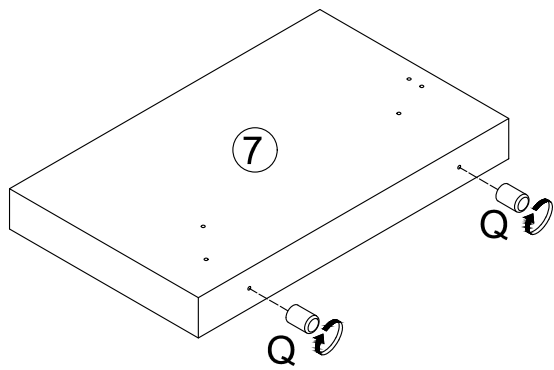
# PART LIST:


<p>①</p>  <p>1PC</p>	<p>②</p>  <p>1PC</p>	<p>③</p>  <p>1PC</p>	<p>④</p>  <p>1PC</p>
<p>⑤</p>  <p>1PC</p>	<p>⑥</p>  <p>1PC</p>	<p>⑦</p>  <p>1PC</p>	<p>⑧</p>  <p>1PC</p>
<p>⑨</p>  <p>1PC</p>	<p>⑩</p>  <p>1PC</p>	<p>⑪</p>  <p>1PC</p>	<p>⑫</p>  <p>1PC</p>
<p>⑬</p>  <p>4PCS</p>	<p>⑭</p>  <p>2PCS</p>	<p>⑮</p>  <p>2PCS</p>	

# HARDWARE LIST:

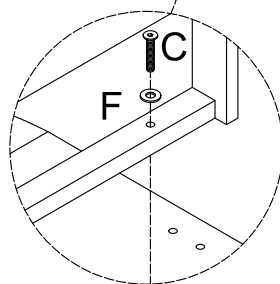
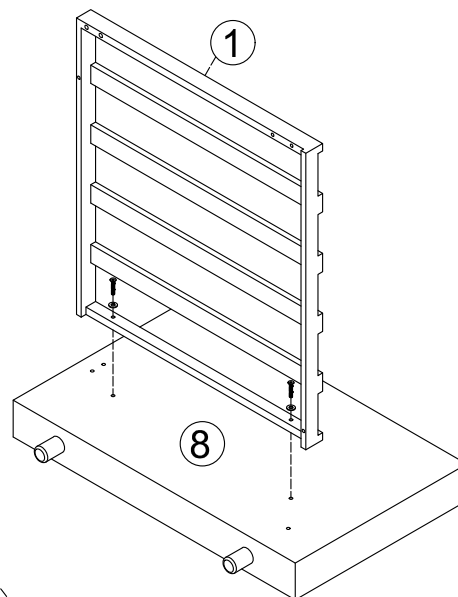
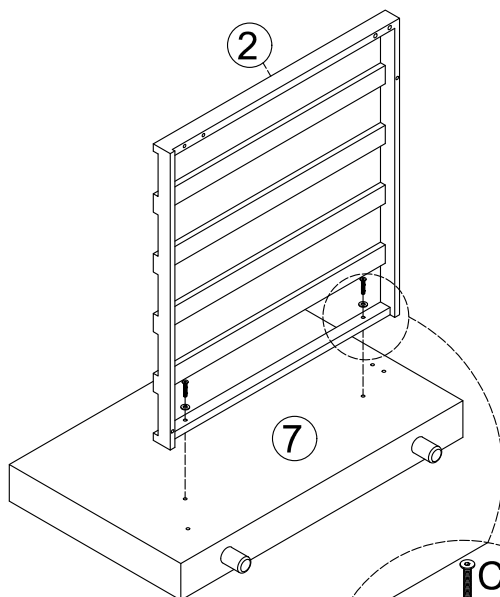
<p><b>A</b></p>  <p>M8x20 36PCS</p>	<p><b>B</b></p>  <p>M8x30 4PCS</p>	<p><b>C</b></p>  <p>M8x50 12PCS</p>	<p><b>D</b></p>  <p>M8x80 1PC</p>
<p><b>E</b></p>  <p>1PC</p>	<p><b>F</b></p>  <p>M8 10PCS</p>	<p><b>G</b></p>  <p>M8 1PC</p>	<p><b>H</b></p>  <p>2PCS</p>
<p><b>I</b></p>  <p>M8 M6 1PC</p>	<p><b>J</b></p>  <p>1PC</p>	<p><b>K</b></p>  <p>M6x35 10PCS</p>	<p><b>L</b></p>  <p>M6 10PCS</p>
<p><b>M</b></p>  <p>10PCS</p>	<p><b>N</b></p>  <p>2PCS</p>	<p><b>O</b></p>  <p>M8 M6 1PC</p>	<p><b>P</b></p>  <p>1PC</p>
<p><b>Q</b></p>  <p>4PCS</p>			

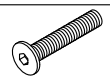

# Step 1



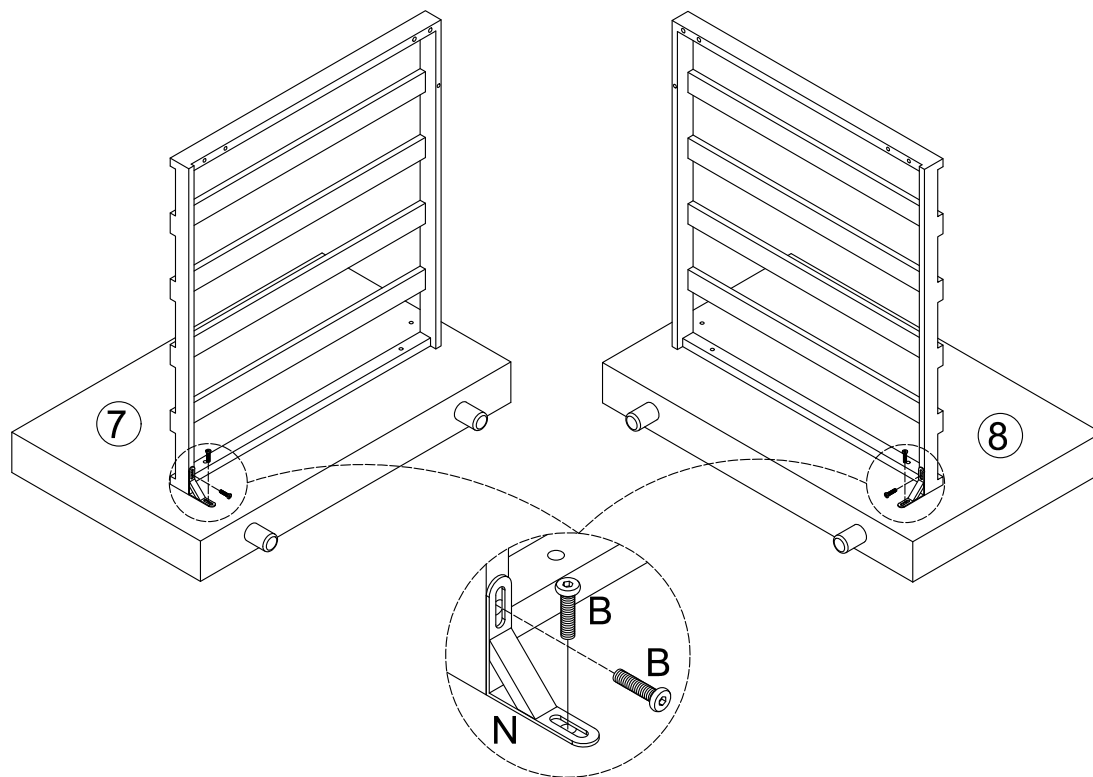
Q	 x4
---	--



# Step 2



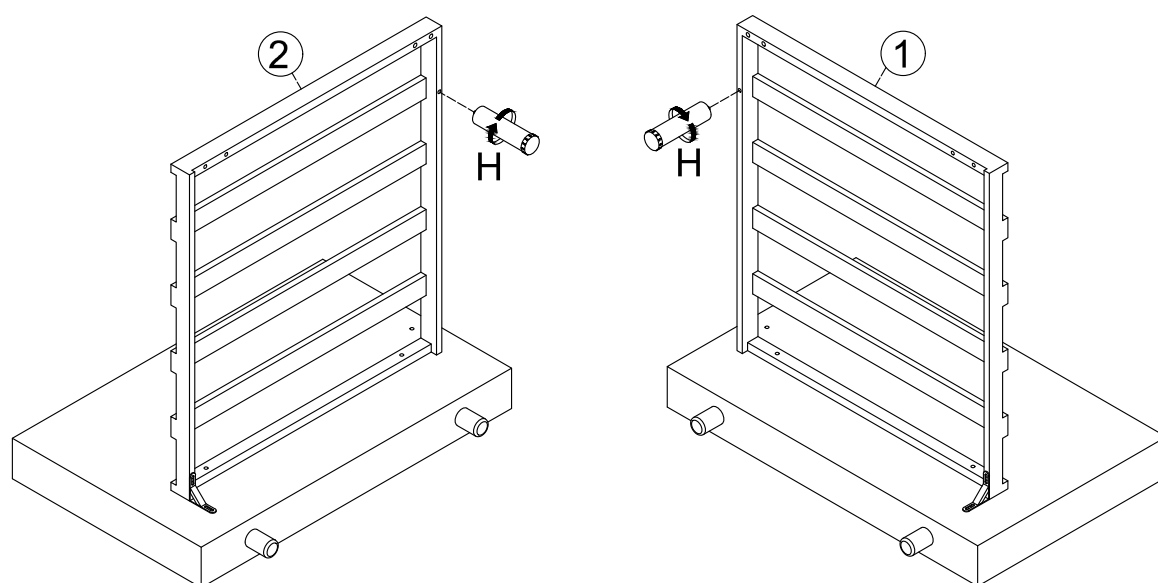
C M8x50	 x4
F	 x4

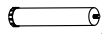
### Step 3



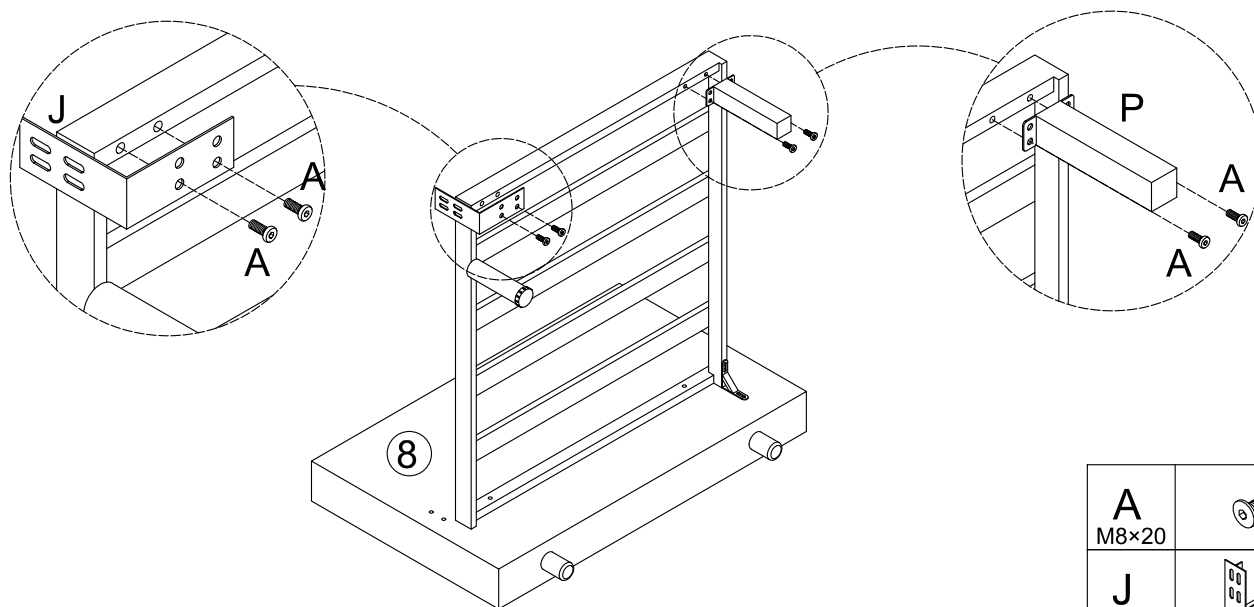
B M8×30	 ×4
N	 ×2


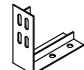

### Step 4



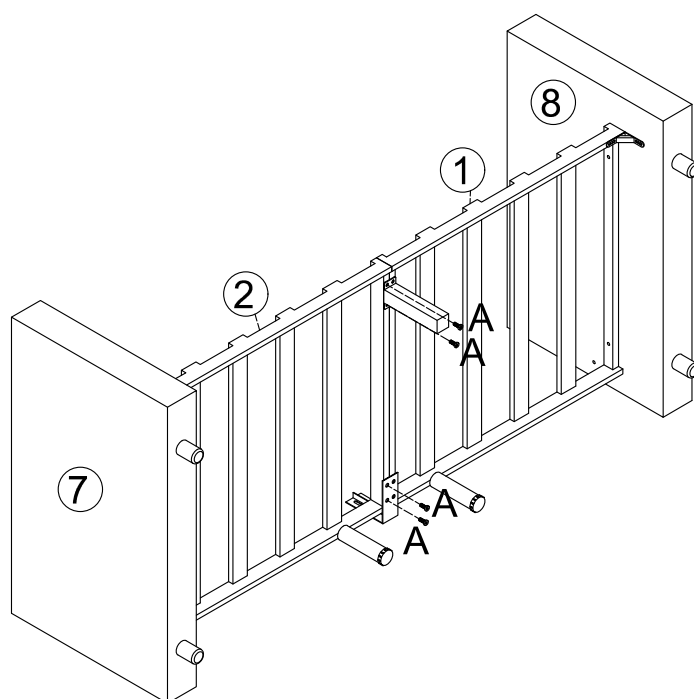
H	 ×2
---	--


## Step 5



A M8×20	 x4
J	 x1
P	 x1

## Step 6



A M8×20	 x4
------------	--